



Advantages

- Revolving pull handle with DIRAK-SNAP-Technology.
- This handle is suitable for the computer industry, 19" technology, enclosures, equipments and other applications.
- The corrugation shows opening tab location.
- A soft push on the tab rotates the handle into the final, open position.
- A soft push rotates the handle into the closed position, resulting in a fully flush surface.
- Tool-less installation.
- For vertical or horizontal applications.
- Bigger version (141x21mm) available on request
- Silver handle available on request

Materials

- **Handle and dish:** PA, black
- **Pin:** steel, zinc plated
- **Snap wedges:** sintered steel

Remarks

1. mounting position (fluting at the bottom) and closed
2. open
3. handle swiveled out

Folding handles with recessed tray for screw mounting, technopolymer metal version available on request



BODY

Acetal-based technopolymer (POM), black colour, matte finish, high UV resistant.

HANDLE

Glass-fibre reinforced polyamide based (PA) SUPER-technopolymer, black colour, matte finish, high UV resistant.

AISI 316 stainless steel spring.

AISI 316 stainless steel rotating pin.

FIXING INSERT

Glass-fibre reinforced polyamide based (PA) SUPER-technopolymer, black colour, matte finish, high UV resistant.

AISI 316 stainless steel self-tapping screws Ø3.5 (included in the supply).



STANDARD EXECUTIONS

- **MRH.80-6:** mounting on panels with a maximum thickness of 6 mm.

- **MRH.80-12:** mounting on sandwich panels with thickness between 6 mm and 12 mm.

FEATURES AND APPLICATIONS

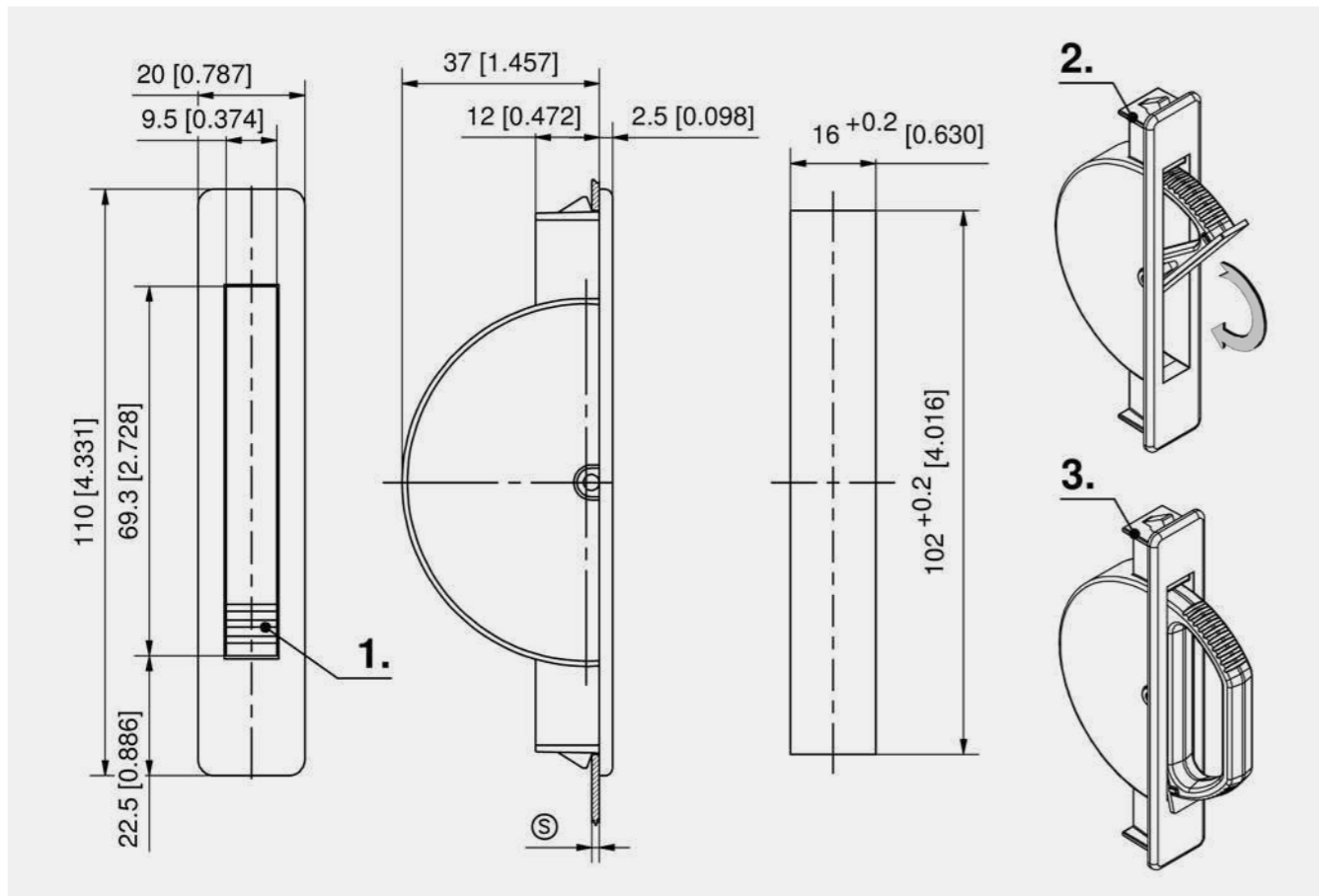
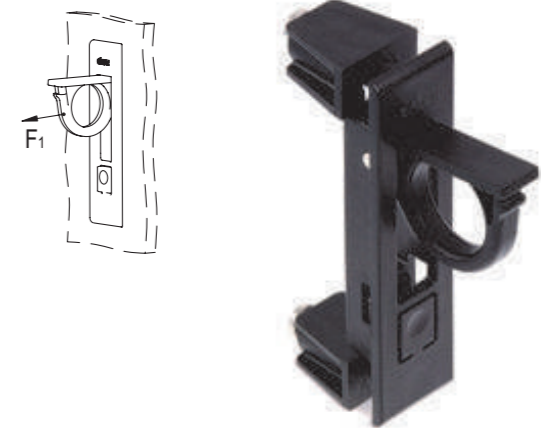
The MRH handle is completely recessed. By pressing the retractable button, the handle will come out of its casing thanks to a snap mechanism, allowing the opening of closing panels, drawers, etc.

TECHNICAL DATA

Tensile stress: the values **F1** indicated in the table were obtained during breaking tests carried out under the test conditions shown in the figure with ambient temperature.

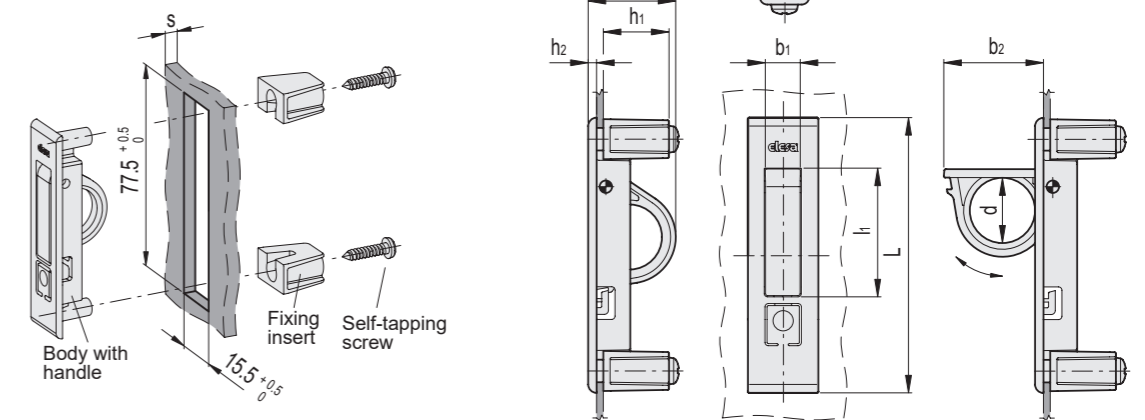
ASSEMBLY INSTRUCTIONS

- Drill the handle housing according to the template dimensions.
- Remove all drilling burrs before fitting the handle.
- Insert the handle body all the way into the hole.
- Insert the fixing insert using the self-tapping screws (included in the supply) until they can go no further. The suggested tightening torque is 1 Nm.



Revolving pull handle

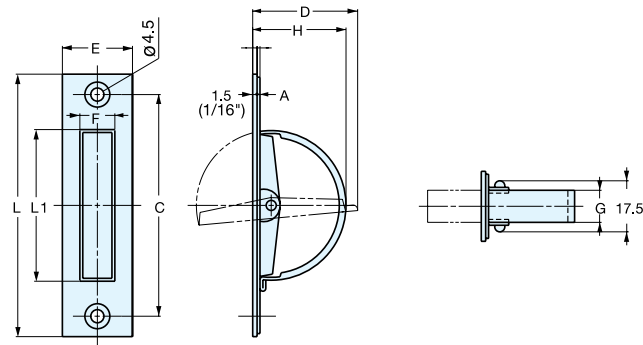
Part Number	Clamping range (S)	Installation type	Delivery Unit
413-9005.00-00015	0.8 - 1.5 mm	tool-less	10 pcs.
413-9005.00-00020	1.3 - 2.0 mm	tool-less	10 pcs.



Description	B	L	H	h1	h2	b1	b2	l1	s	d	F1 [N]	Δδ
MRH.80-6	21	82	26	19	2.5	10	30	38	1 + 6	19.5	400	24
MRH.80-12	21	82	26	19	2.5	10	30	38	6 + 12	19.5	400	25



Retractable flush handles in stainless steel



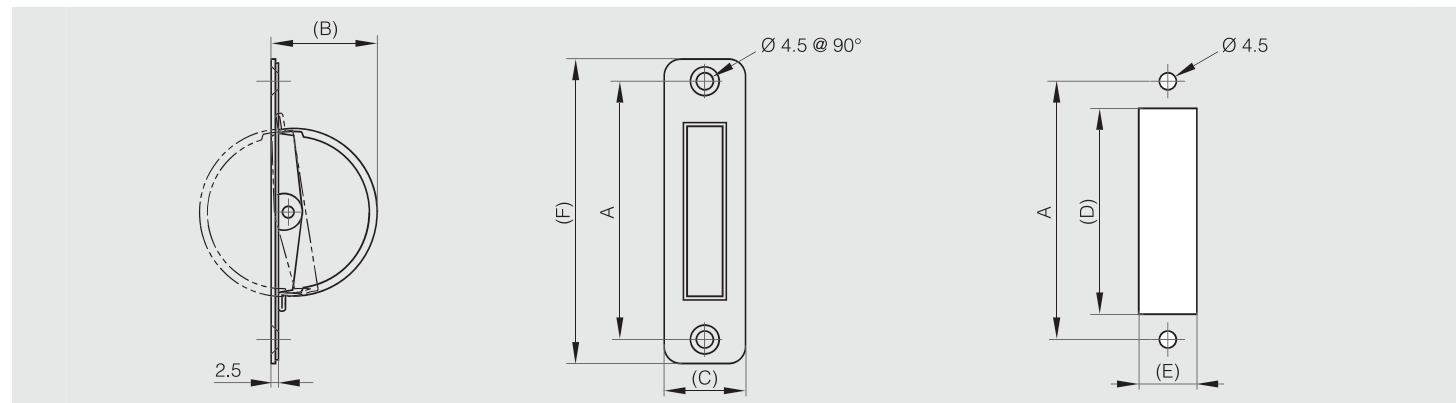
Item No.	L	L ₁	C	H	D	A	E	F	G	Material	Finish
HR-90	90 (3-35/64")	52 (2-3/64")	76 (2-63/64")	32 (1-17/64")	36 (1-27/64")	1.0	24 (15/16")	12.0	11	304 Stainless Steel	Satin
HR-110	110 (4-21/64")	64 (2-33/64")	94 (3-45/64")	38 (1-1/2")	42 (1-21/32")						
HR-135	135 (5-5/16")	90 (3-35/64")	115 (4-17/32")	50 (1-31/32")	55 (2-11/64")	1.2	25 (63/64")	12.2	12		

Item No.	Load Capacity (kg)	Weight (g)	Box (pcs)	Carton (pcs)	Screw
HR-90	13.0 (28 lbs)	49	30	300	3.5 x 22
HR-110	10.0 (22 lbs)	59	20	200	3.5 x 25
HR-135	7.5 (16.5 lbs)	88	15	150	

Retractable flush handles in stainless steel



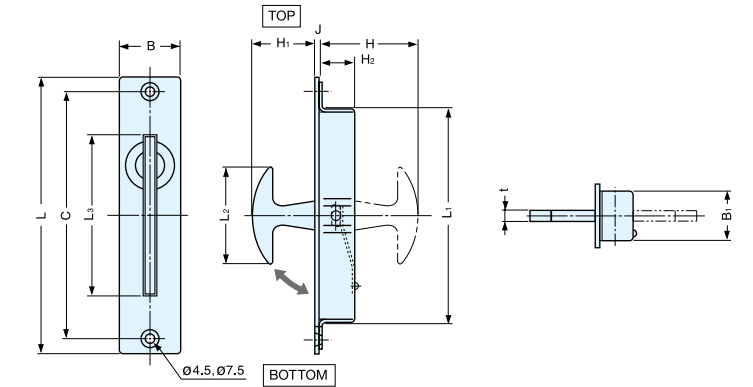
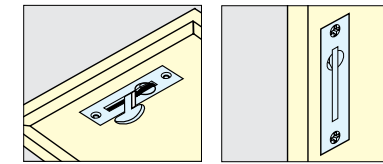
Part number	Material	Finish	A	B	C	D	E	F	Weight (g)
19-7-3813	304 stainless steel	satin	76	36	24	60	18	90	46
19-7-3814	304 stainless steel	satin	94	42	24	72	18	110	55



HATCH PULL



- The handle is concealed when not in use to stay out of the way.
- T-handle design
- ST-90 is RoHS compliant.



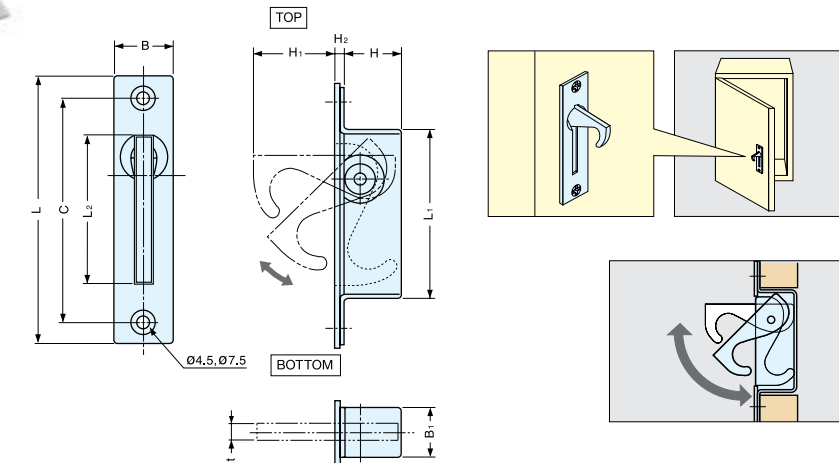
Item No.	L	L ₁	L ₂	L ₃	H	H ₁	H ₂	J	B	B ₁	t	C	Material	Finish
ST-90	90 (3-35/64")	66.2 (2-39/64")	30.2	57	35.5	23.2	10.5	2.2	22 (55/64")	18.5	3.8	80 (3-5/32")	304 Stainless Steel	Satin
ST-115	115 (4-17/32")	86.2 (3-25/64")	40.0	67	42.0	26.0	13.0	2.5	25 (63/64")	20.0	4.0	102 (4-1/64")		

Item No.	Weight (g)	Box (pcs)	Carton (pcs)	Screw
ST-90	68	30	300	3.5 x 22
ST-115	102	20	200	3.5 x 25

HATCH PULL



- The handle is concealed when not in use to stay out of the way.
- Hook design



Item No.	L	L ₁	L ₂	H	H ₁	H ₂	B	B ₁	t	C	Material	Finish
ST-80	80 (3-9/64")	50 (1-31/32")	44	18	25	2	18 (45/64")	15	5	68 (2-43/64")	304 Stainless Steel	Satin
ST-100	100 (3-15/16")	63 (2-31/64")	54	21	32		20 (25/32")			85 (3-11/32")		

Item No.	Weight (g)	Box (pcs)	Carton (pcs)	Screw
ST-80	48	30	300	3.5 x 16
ST-100	66	20	200	3.5 x 20

1

1

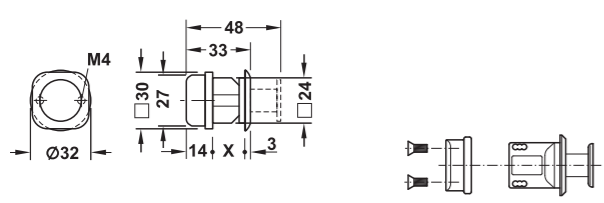


Timeless Furniture Knobs

Trend Furniture Handles



This handle can also be used as folding hook.
The hook shows upwards when folded out.

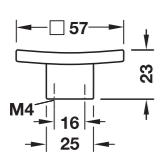


Wood thickness X = 17 – 21 mm

> Fixing material supplied

Finish	Cat. No.
Aluminium coloured	130.81.910

Packing: 1 or 25 pieces

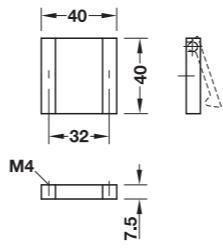
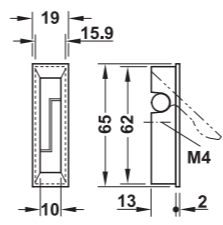


Finish	Cat. No.
Polished chrome plated	131.11.200
Matt chrome plated	131.11.400
Stainless steel coloured	131.11.000

Packing: 1 or 10 pieces

M4 threaded screws ▶ MB 1.470

DGH-M 2018, HDE-en, 06/18; Dimensional data not binding. We reserve the right to alter specifications without notice.



Finish	Cat. No.
Matt chrome plated	844.33.400
Matt nickel plated	844.33.600

Packing: 1 or 10 pieces

Folding hook as furniture handle ▶ MB 1.447

Finish	Cat. No.
Matt chrome plated	161.02.400
Matt nickel plated	161.02.600

Packing: 1 or 10 pieces

M4 threaded screws ▶ MB 1.470

DGH-M 2018, HDE-en, 06/18; Dimensional data not binding. We reserve the right to alter specifications without notice.