



METALIKA
KOMPONENTE ZA INDUSTRIJO **KACIN**

Telescopic slides

With partial extension

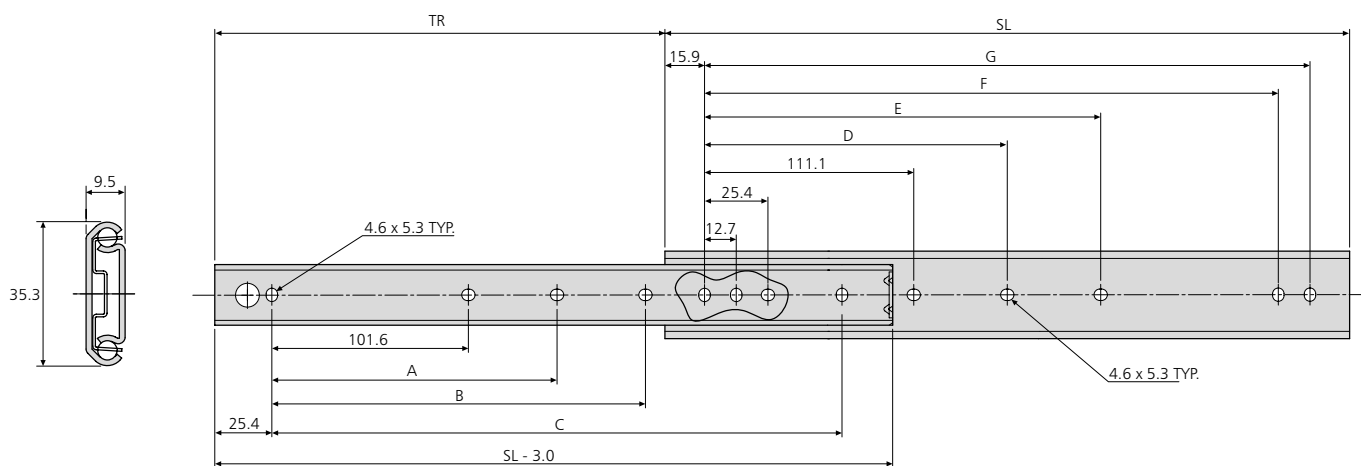
English / German versions

www.METALIKA-KACIN.com

- Load rating up to 50kg per pair
- 75% extension
- 9.5mm slide thickness
- Basic, two-section slide
- Optional enclosure mounting brackets
- Suitable for flat mounting
- Flat mounting reduces load rating by 75%
- Temperature -20°C to +110°C
- DZ - 12 hours salt spray test



- Lastwert bis 50kg pro paar
- Teilauszug
- 9,5mm Schienendicke
- Einfache, zweiteilige Schiene
- Optionale Gehäuse-Montagewinkel
- Für Flachmontage geeignet
- Flachmontage reduziert den Lastwert um 75%
- Temperatur -20°C bis +110°C
- DZ - 12 Stunden Salzsprühtest



0201	mm									kg	
	SL	TR	A	B	C	D	E	F	G	W	L
DZ0201-0012	305	227	-	152.4	254.0	-	149.2	260.3	273.0	0.64	50
DZ0201-0014	356	277	-	203.2	304.8	-	200.0	311.1	323.8	0.73	50
DZ0201-0016	406	302	-	254.0	355.6	-	250.8	361.9	374.6	0.83	45
DZ0201-0018	457	328	203.2	304.8	406.4	212.7	301.6	412.7	425.4	0.94	45
DZ0201-0020	508	379	228.6	355.6	457.2	238.1	352.4	463.5	476.2	0.97	40
DZ0201-0022	559	405	254.0	406.4	508.0	263.5	403.2	514.3	527.0	1.07	40
DZ0201-0024	610	429	279.4	457.2	558.8	288.9	454.0	565.1	577.8	1.17	35
DZ0201-0026	660	481	304.8	508.0	609.6	314.3	504.8	615.9	628.6	1.26	30
DZ0201-0028	711	506	330.2	558.8	660.4	339.7	555.6	666.8	679.4	1.45	30

Notes:

- Fixing recommendation: M4 screw
- Max. head. ht. 2.5mm/Ø9.6mm
- For enclosure mounting brackets, refer to "Mounting kits and accessories" section
- For cable carriers, refer to "Mounting kits and accessories" section
- Load ratings quoted are the maximum for a pair of side mounted slides installed 450mm apart, unless otherwise stated. For more information, refer to "How to select a slide" section

Hinweise:

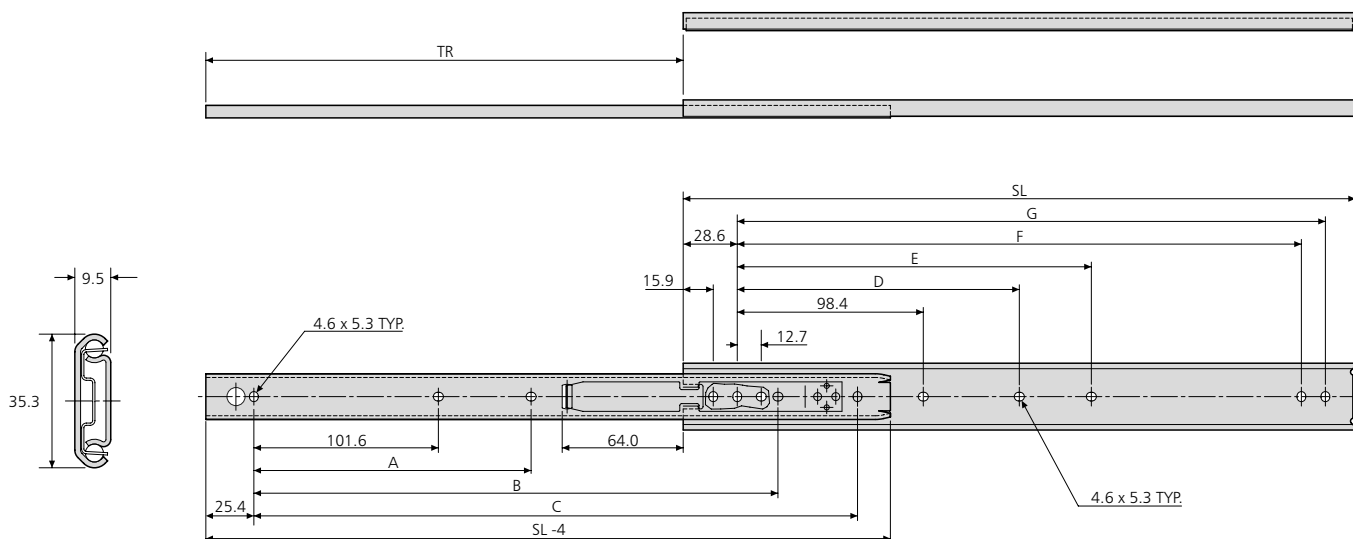
- Empfohlene Befestigung: Schraube M4
- Max. Kopfhöhe 2,5mm/Ø9,6mm
- Gehäuse-Montagewinkel siehe Abschnitt 'Montage-Kits und Zubehör'
- Kabelträger siehe Abschnitt 'Montage-Kits und Zubehör'
- Falls nicht anders angegeben, sind die genannten Tragkräfte die maximal erreichbaren, bei einem Paar seitlich montierten Führungen mit 450mm Schienenabstand. Weitere Information siehe Abschnitt 'Schienen-Auswahl'

- Load rating up to 65kg per pair
- 75% extension slide
- 9.5mm slide thickness
- Front disconnect
- Lock-out
- Optional enclosure mounting brackets
- Suitable for flat mounting
- Flat mounting reduces load rating by 75%
- Temperature -20°C to +70°C
- DZ - 12 hours salt spray test

- Lastwert bis 65kg pro paar
- Teilauszug
- 9,5mm Schienendicke
- Frontschnelltrennung
- Verriegelung ausgezogen
- Optionale Gehäuse-Montagewinkel
- Für Flachmontage geeignet
- Flachmontage reduziert den Lastwert um 75%
- Temperatur -20°C bis +70°C
- DZ - 12 Stunden Salzsprühstest

Notes:

- Fixing recommendation: M4 screw
- Max. head. ht. 2.5mm/Ø9.6mm
- For enclosure mounting brackets, refer to "Mounting kits and accessories" section
- For cable carriers, refer to "Mounting kits and accessories" section
- Load ratings quoted are the maximum for a pair of side mounted slides installed 450mm apart, unless otherwise stated. For more information, refer to "How to select a slide" section



0204	mm									kg	
	SL	TR	A	B	C	D	E	F	G	W	L
DZ0204-0012	305	201.5	-	215.9	254.0	-	136.5	247.6	260.3	0.63	65
DZ0204-0014	356	252.5	-	266.7	304.8	-	187.3	298.4	311.1	0.73	65
DZ0204-0016	406	303.0	-	317.5	355.6	-	238.1	349.2	361.9	0.84	60
DZ0204-0018	457	329.0	203.2	342.9	406.4	200.0	288.9	400.0	412.7	0.93	55
DZ0204-0020	508	379.5	228.6	393.7	457.2	225.4	339.7	450.8	463.5	1.04	50
DZ0204-0022	559	405.0	254.0	419.1	508.0	250.8	390.5	501.6	514.3	1.14	40
DZ0204-0024	610	430.5	279.4	444.5	558.8	276.2	441.3	552.4	565.1	1.26	35
DZ0204-0026	660	481.5	304.8	495.3	609.6	301.6	492.1	603.2	615.9	1.35	30
DZ0204-0028	711	506.5	330.2	520.7	660.4	327.0	542.9	654.0	666.7	1.48	30

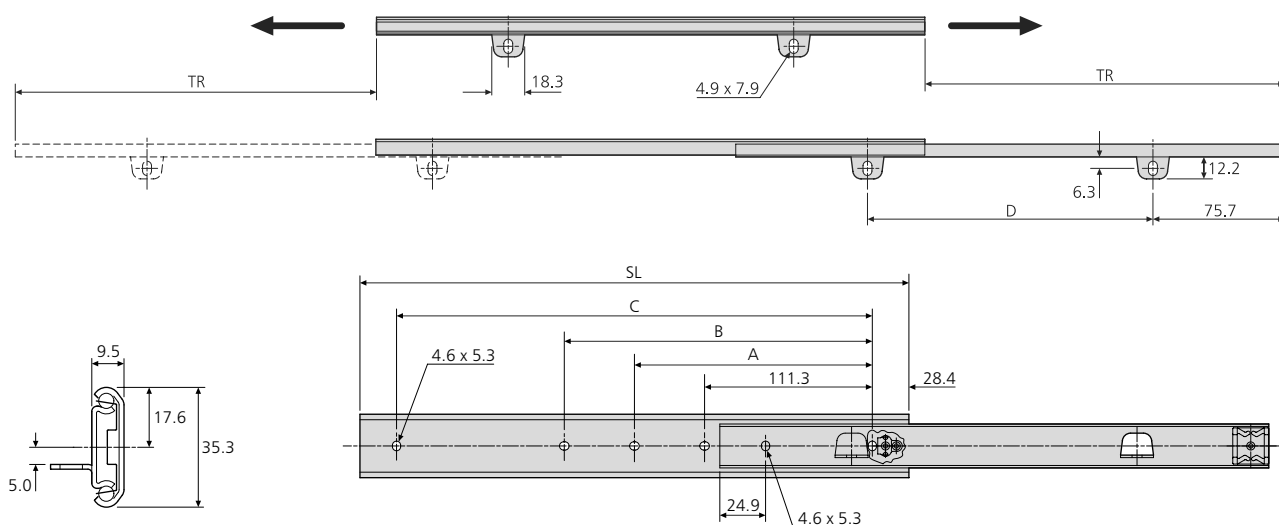
- Two way travel
- Load rating up to 35kg per pair
- 75% extension
- 9.5mm slide thickness
- Hold-in (at centre)
- Built-in mounting tabs
- Fixing hardware included
- Not suitable for flat mounting
- Temperature -20°C to +70°C
- DZ - 12 hours salt spray test

50,000

- Auszug in beide Richtungen
- Lastwert bis 35kg pro paar
- Teilauszug
- 9,5mm Schienendicke
- Rastung in Mittelposition
- Angebrachte Auflageschen
- Befestigungsteile inbegriffen
- Nicht für Flachmontage geeignet
- Temperatur -20°C bis +70°C
- DZ - 12 Stunden Salzsprühstest

Notes:

- Fixing recommendation: M4 screw/4mm wood screw
- Max. head. ht. 2.5mm/Ø9.6mm
- Vertical (side) mounting only
- Load ratings quoted are the maximum for a pair of side mounted slides installed 450mm apart, unless otherwise stated. For more information, refer to "How to select a slide" section

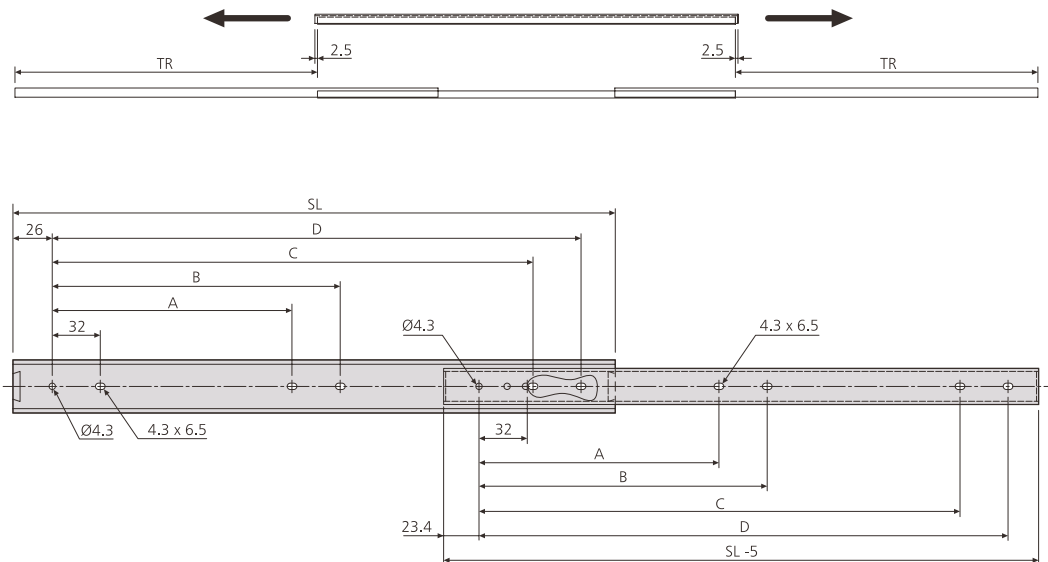


2002	mm						kg	
	SL	TR	A	B	C	D	W	L
DZ2002-0012-2	305	221.5	-	136.7	247.7	153.4	0.59	35
DZ2002-0014-2	356	272.3	-	187.5	298.5	204.2	0.69	35
DZ2002-0016-2	406	297.7	-	238.3	349.3	255.0	0.78	35
DZ2002-0018-2	457	323.1	200.2	289.1	400.1	305.8	0.89	35
DZ2002-0020-2	508	373.9	225.6	339.9	450.9	356.6	1.00	32
DZ2002-0022-2	558	399.3	251.0	390.7	501.7	407.4	1.08	31
DZ2002-0024-2	610	424.7	276.4	441.5	552.5	458.2	1.19	29
DZ2002-0026-2	660	475.5	301.8	492.3	603.3	509.0	1.28	27
DZ2002-0028-2	711	500.9	327.2	543.1	654.1	559.8	1.38	24

- Two-way travel
- Load rating up to 50kg per pair
- 75% extension
- 9.5mm slide thickness
- Hold-out on both sides
- Suitable for flat mounting
- Flat mounting reduces load rating by 75%
- Temperature -20°C to +110°C
- DZ - 12 hours salt spray test



- Auszug in beide Richtungen
- Lastwert bis 50kg pro paar
- Teilauszug
- 9,5mm Schienendicke
- Aushalterung auf beiden Seiten
- Für Flachmontage geeignet
- Flachmontage reduziert den Lastwert um 75%
- Temperatur -20°C bis +110°C
- DZ - 12 Stunden Salzsprühstest



2026	mm						kg	
	SL	TR	A	B	C	D	W	L
DZ2026-0030	300	208.8	128	160	224	256	0.56	50
DZ2026-0035	350	246.1	160	192	256	288	0.65	50
DZ2026-0040	400	283.4	192	224	320	352	0.74	45
DZ2026-0045	450	320.7	224	256	352	384	0.84	40
DZ2026-0050	500	358.0	256	288	416	448	0.94	40
DZ2026-0055	550	395.3	256	288	480	512	1.03	35
DZ2026-0060	600	432.6	288	320	512	544	1.13	35
DZ2026-0065	650	469.9	288	320	576	608	1.21	30
DZ2026-0070	700	507.2	320	352	608	640	1.32	30

Notes:

- Fixing recommendation: M4 screw/4mm wood screw
- Max. head. ht. 2.5mm/Ø9.6mm
- Load ratings quoted are the maximum for a pair of side mounted slides installed 450mm apart, unless otherwise stated. For more information, refer to "How to select a slide" section

Hinweise:

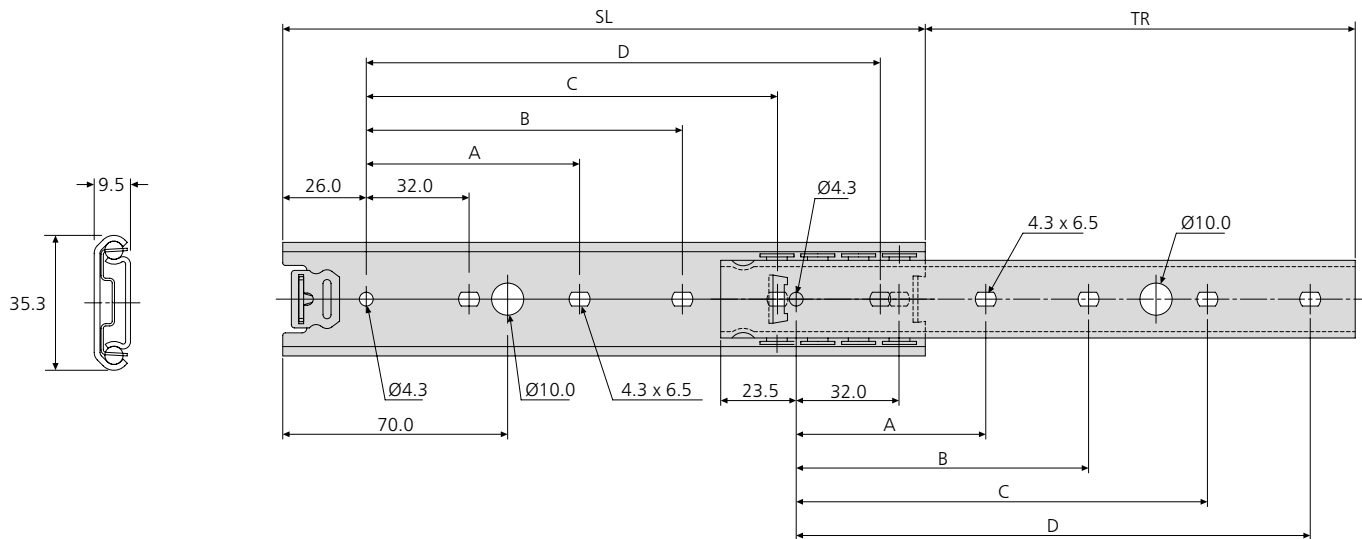
- Empfohlene Befestigung: Schraube M4/ Holzschraube 4mm
- Max. Kopfhöhe 2,5mm/Ø9,6mm
- Falls nicht anders angegeben, sind die genannten Tragkräfte die maximal erreichbaren, bei einem Paar seitlich montierten Führungen mit 450mm Schienenabstand. Weitere Information siehe Abschnitt 'Schienen-Auswahl'

- High grade stainless steel
- Load rating up to 60/65kg per pair
- 75% extension
- 9.5mm slide thickness
- Hold-in
- Optional bracket kit for various mounting options
- Ideal for environments where mild steel might be subject to corrosion
- Suitable for flat mounting
- Flat mounting reduces load rating by 75%
- Temperature -20°C to +70°C



Notes:

- Fixing recommendation: M4 screw
- Max. head. ht. 2.5mm/Ø9.6mm
- For bracket accessory kit see DS63610
- Load ratings quoted are the maximum for a pair of side mounted slides installed 450mm apart, unless otherwise stated. For more information, refer to "How to select a slide" section



DS2028	mm						kg		
	SL	TR	A	B	C	D	W	L 10,000	L 80,000
DS2028-0030	300	209	96	128	224	256	0.54	65	60
DS2028-0035	350	245	96	128	256	288	0.64	63	57
DS2028-0040	400	282	160	192	320	352	0.74	59	54
DS2028-0045	450	320	160	192	384	416	0.83	57	50
DS2028-0050	500	357	192	224	416	448	0.92	53	47
DS2028-0055	550	394	192	224	480	512	1.02	50	45
DS2028-0060	600	432	224	256	512	544	1.12	46	43
DS2028-0065	650	469	224	256	576	608	1.21	43	41
DS2028-0070	700	506	256	288	608	640	1.30	42	40

- Load rating up to 35kg per pair
- 75% extension
- 12.7mm slide thickness
- Height adjustable brackets included
- Front disconnect
- Hold-in and hold-out
- Optional clip-on bracket for bottom mounting
- Not suitable for flat mounting
- Temperature -20°C to +70°C
- DZ - 12 hours salt spray test

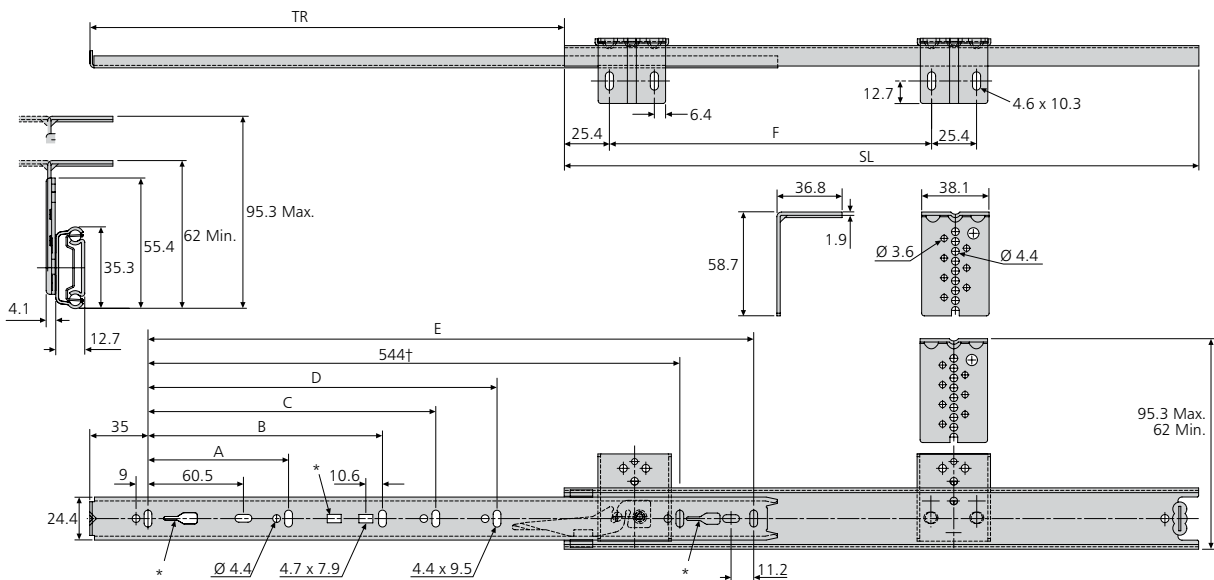
- Lastwert bis 35kg pro paar
- Teilauszug
- 12,7mm Schienendicke
- Höhenverstellbare Montagewinkel inbegriffen
- Frontschnelltrennung
- Rastung in geschlossener Position und Rastung in ausgezogener Position
- Optionaler Aufsteckwinkel für Bodenmontage
- Nicht für Flachmontage geeignet
- Temperatur -20°C bis +70°C
- DZ - 12 Stunden Salzsprühstest

Notes:

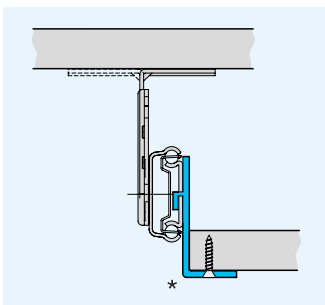
- Fixing hardware included
- Max. head. ht. 2.5mm/Ø9,6mm
- Vertical (side) mounting only
- *For optional clip-on brackets, refer to 633xx in "Mounting kits and accessories" section. Not suitable for 2109-0030/0035
- For more information, refer to "How to select a slide" section



50,000

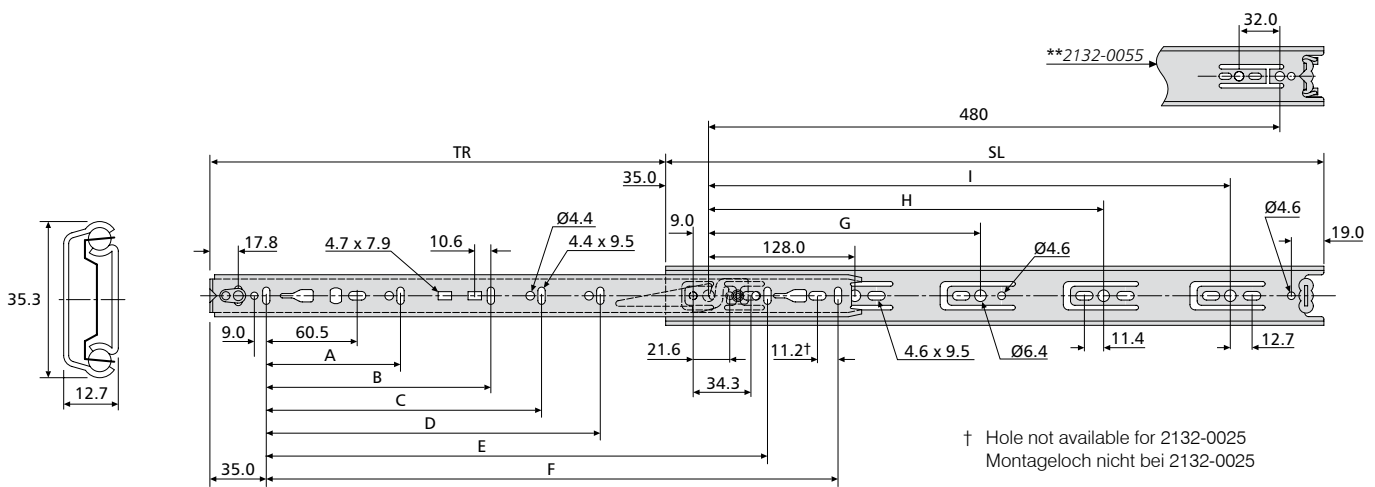


† 2109-0065-2



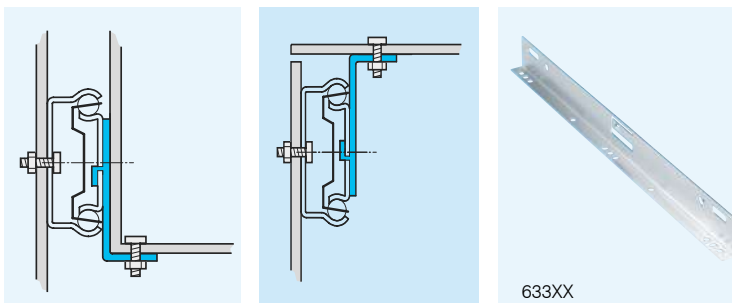
2109	mm								kg	
	SL	TR	A	B	C	D	E	F	W	L
DZ2109-0030-2	300	205	96	-	-	-	242	215.9	0.87	35
DZ2109-0035-2	350	260	128	-	-	-	292	215.9	0.99	35
DZ2109-0040-2	400	281	128	-	-	-	342	215.9	1.07	30
DZ2109-0045-2	450	331	128	224	-	-	392	215.9	1.14	30
DZ2109-0050-2	500	376	128	224	-	-	442	292.1	1.23	25
DZ2109-0055-2	550	415	128	224	320	-	492	292.1	1.33	25

- Load rating up to 35/50kg per pair
- 75% extension
- 12.7mm slide thickness (14mm with mounting bracket)
- Optional clip-on bracket for bottom & platform mounting
- Front disconnect
- Hold-in
- Cam drawer adjust (3.2mm)
- Not suitable for flat mounting
- Temperature -20°C to +70°C
- DZ - 12 hours salt spray test
- DB - 96 hours salt spray test



2132	mm											kg		
	SL	TR	A	B	C	D	E	F	G	H	I	W	L 10,000	L 80,000
*2132-0025	250	163	96	-	-	-	-	192	-	-	-	0.45	50	35
*2132-0030	300	205	96	-	-	-	-	242	224	-	-	0.52	50	35
*2132-0035	350	260	128	-	-	-	-	292	224	-	-	0.64	50	35
*2132-0040	400	281	128	-	-	-	-	342	224	-	320	0.71	50	35
*2132-0045	450	331	128	224	-	-	-	392	224	-	352	0.78	48	35
*2132-0050	500	376	128	224	-	-	-	442	224	-	416	0.80	45	34
*2132-0055	550	415	128	224	320	-	-	492	224	352	**	0.98	42	33
*2132-0060	600	451	128	224	320	-	-	542	224	352	480	1.05	40	32
*2132-0065	650	488	128	224	320	416	544	592	224	352	544	1.17	37	31
*2132-0070	700	526	128	224	288	416	-	642	224	352	544	1.26	35	30

* Prefix DZ for bright zinc plate, DB for black zinc plate



Notes:

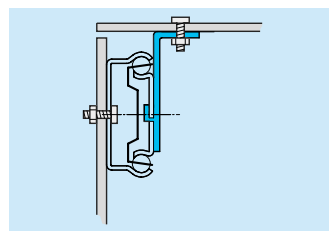
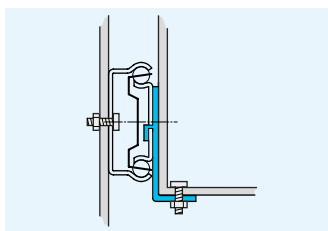
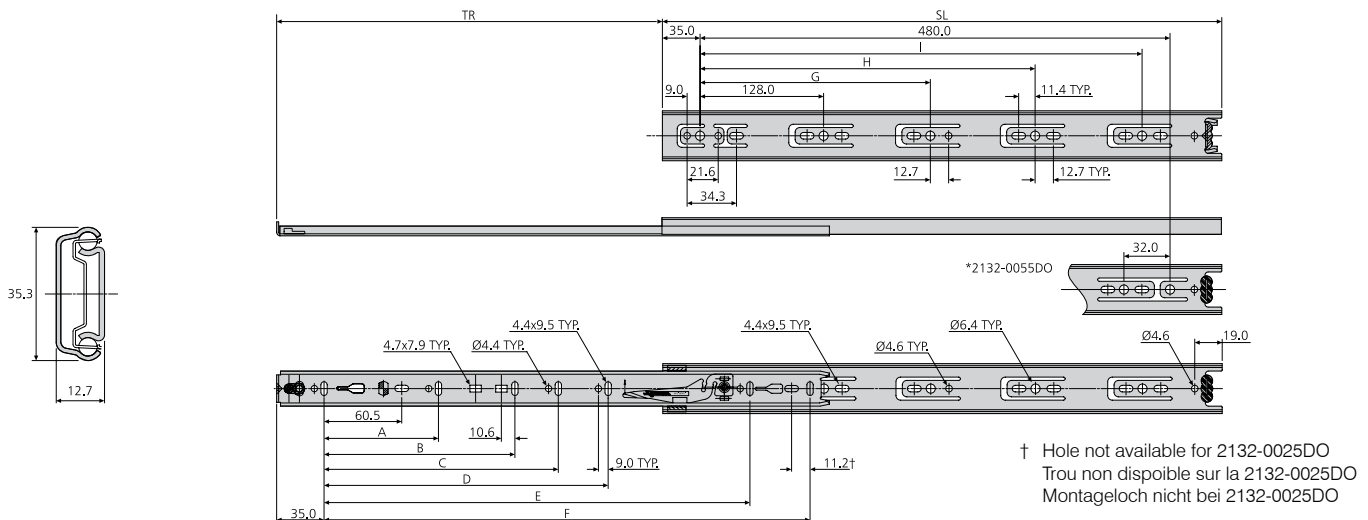
- Fixing recommendation: M4 screw/
4mm wood screw
- Max. head. ht. 2.5mm/Ø9.6mm
- For optional clip-on brackets, refer to '633xx' in
"Mounting kits and accessories" section.
Not 2132-0025/0030/0035
- Vertical (side) mounting only
- For more information, refer to "How to select a
slide" section

- Hold-out in open position
- Load rating up to 35/50kg per pair
- 75% extension
- 12.7mm slide thickness (14mm with mounting bracket)
- Optional clip-on bracket for bottom & platform mounting
- Front disconnect
- Hold-in
- Cam drawer adjust (3.2mm)
- Not suitable for flat mounting
- Temperature -20°C to +70°C
- DZ - 12 hours salt spray test

- Rastung in ausgezogener Position
- Lastwert bis 35/50kg pro paar
- Teilauszug
- 12,7mm Schienendicke (14mm mit Montagewinkel)
- Optionaler Aufsteckwinkel für Boden- bzw. Plattformmontage
- Frontschnelltrennung
- Rastung in geschlossener Position
- Einstellnocken für Schublade (3,2mm)
- Nicht für Flachmontage geeignet
- Temperatur -20°C bis +70°C
- DZ - 12 Stunden Salzsprühstest

Notes:

- Fixing recommendation: M4 screw/ 4mm wood screw
- Max. head. ht. 2.5mm/Ø9.6mm
- For optional clip-on brackets, refer to 633xx in "Mounting kits and accessories" section.
- Not 2132-0025DO/0030DO/0035DO
- Vertical (side) mounting only
- For more information, refer to "How to select a slide" section

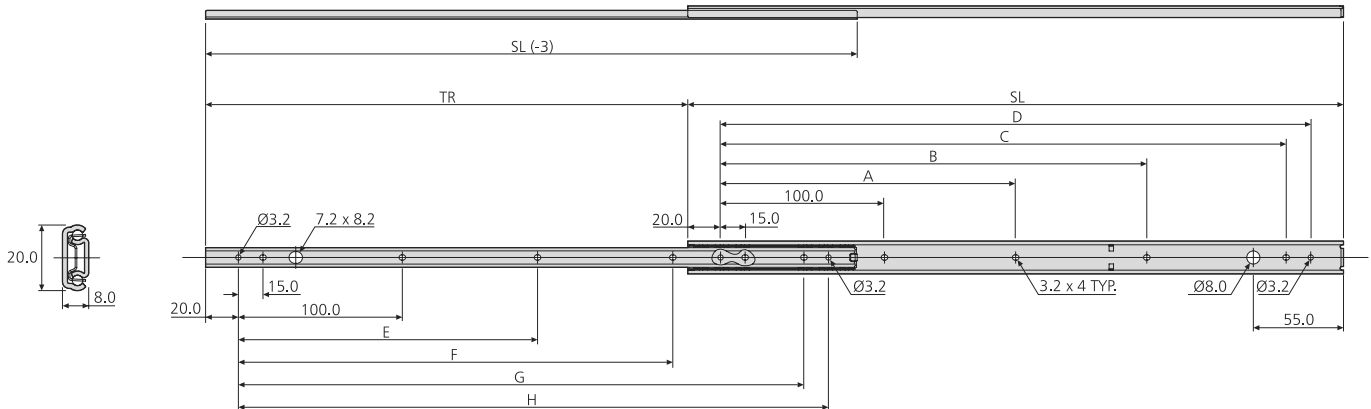


2132DO	mm											kg		
	SL	TR	A	B	C	D	E	F	G	H	I	W	L 10,000	L 80,000
DZ2132-0025DO	250	163	96	-	-	-	-	192	-	-	-	0.45	50	35
DZ2132-0030DO	300	205	96	-	-	-	-	242	224	-	-	0.52	50	35
DZ2132-0035DO	350	260	128	-	-	-	-	292	224	-	-	0.64	50	35
DZ2132-0040DO	400	281	128	-	-	-	-	342	224	-	320	0.71	50	35
DZ2132-0045DO	450	331	128	224	-	-	-	392	224	-	352	0.78	48	35
DZ2132-0050DO	500	376	128	224	-	-	-	442	224	-	416	0.88	45	34
DZ2132-0055DO	550	415	128	224	320	-	-	492	224	352	*	0.98	42	33
DZ2132-0060DO	600	451	128	224	320	-	-	542	224	352	480	1.05	40	32
DZ2132-0065DO	650	488	128	224	320	416	544	592	224	352	544	1.16	37	31
DZ2132-0070DO	700	526	128	224	288	416	-	642	224	352	544	1.27	35	30

- Load rating up to 16kg per pair
- 75% extension
- 8mm slide thickness
- Low profile: only 20mm high
- Not suitable for flat mounting
- Temperature -20°C to +110°C
- DZ - 12 hours salt spray test

80,000

- Lastwert bis 16kg pro paar
- Teilauszug
- 8mm Schienendicke
- Geringe Schienenhöhe: nur 20mm hoch
- Nicht für Flachmontage geeignet
- Temperatur -20°C bis +110°C
- DZ - 12 Stunden Salzsprühstest



2421	mm										kg	
	SL	TR	A	B	C	D	E	F	G	H	W	L
DZ2421-0020	200	132	-	-	145.0	160.0	-	-	145.0	160.0	0.23	13
DZ2421-0025	250	182	-	-	195.0	210.0	-	150.0	195.0	210.0	0.28	15
DZ2421-0030	300	220	-	160.0	245.0	260.0	-	190.0	245.0	260.0	0.34	16
DZ2421-0035	350	257	-	210.0	295.0	310.0	-	225.0	295.0	310.0	0.39	16
DZ2421-0040	400	294	-	260.0	345.0	360.0	-	265.0	345.0	360.0	0.45	15
DZ2421-0045	450	331	205.0	310.0	395.0	410.0	190.0	300.0	395.0	410.0	0.51	13
DZ2421-0050	500	381	230.0	360.0	445.0	460.0	225.0	337.0	445.0	460.0	0.56	11

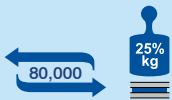
Notes:

- Fixing recommendation: M3 screw/3mm wood screw
- Max. head. ht. 1.8mm/Ø5.6mm
- Vertical (side) mounting only
- Load ratings quoted are the maximum for a pair of side mounted slides installed 450mm apart, unless otherwise stated. For more information, refer to "How to select a slide" section

Hinweise:

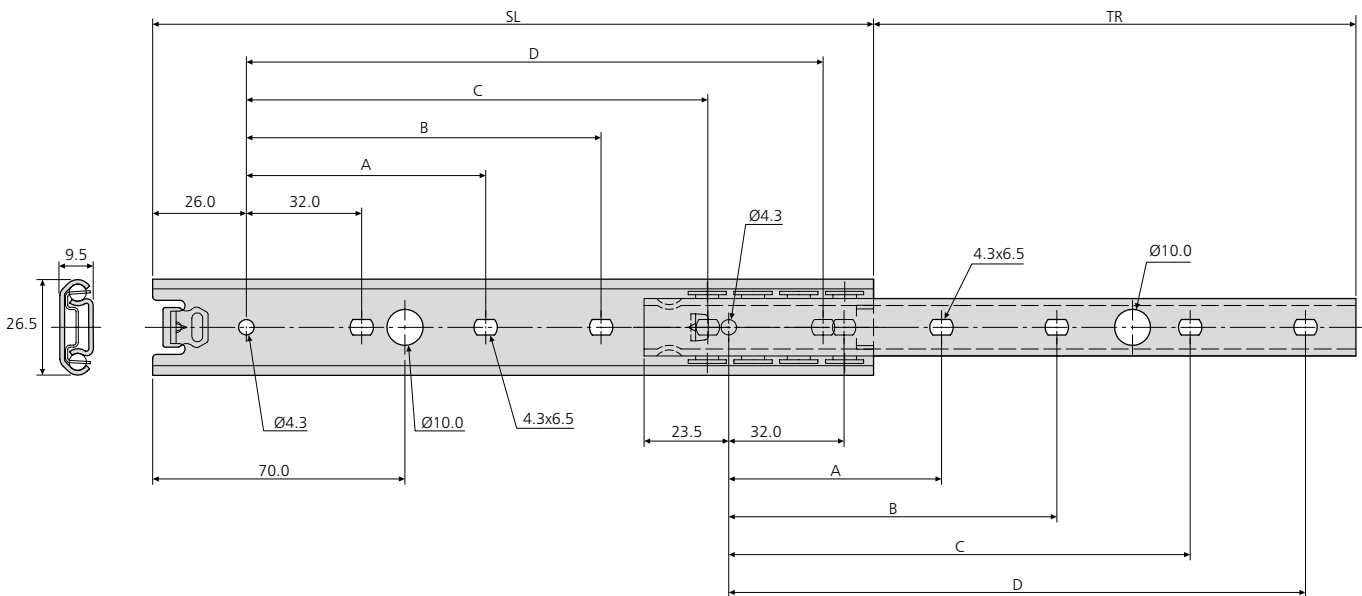
- Empfohlene Befestigung: Schraube M3/ Holzschraube 3mm
- Max. Kopfhöhe 1,8mm/Ø5,6mm
- Nur Vertikalmontage
- Falls nicht anders angegeben, sind die genannten Tragkräfte die maximal erreichbaren, bei einem Paar seitlich montierten Führungen mit 450mm Schienenabstand. Weitere Information siehe Abschnitt „Schienen-Auswahl“

- High grade stainless steel
- Load rating up to 20kg per pair
- 75% extension
- 9.5mm slide thickness
- Hold-in
- Optional bracket kit for various mounting options
- Ideal for environments where mild steel might be subject to corrosion
- Suitable for flat mounting
- Flat mounting reduces load rating by 75%
- Temperature -20°C to +70°C



Notes:

- Fixing recommendation: M4 screw/
4mm wood screw
- Max. head. ht. 2.5mm/Ø9.6mm
- For bracket accessory kit see DS63610
- Load ratings quoted are the maximum for a pair of side mounted slides installed 450mm apart, unless otherwise stated. For more information, refer to "How to select a slide" section



DS2728	mm						kg	
	SL	TR±3	A	B	C	D	W	L
DS2728-0025	250	170	-	-	160	192	0.32	15
DS2728-0030	300	208	128	-	224	256	0.39	18
DS2728-0035	350	245	128	-	256	288	0.45	20
DS2728-0040	400	283	160	192	320	352	0.52	20
DS2728-0045	450	320	160	192	384	416	0.59	20
DS2728-0050	490	347	192	224	416	448	0.63	18

- Aluminium
- Load rating up to 438/550kg per pair
- 75% extension
- Stainless steel ball retainer and ball bearings
- Corrosion resistant
- Slides sold singly
- Suitable for flat mounting
- Flat mounting reduces load rating by 50%
- Temperature -20°C to +110°C



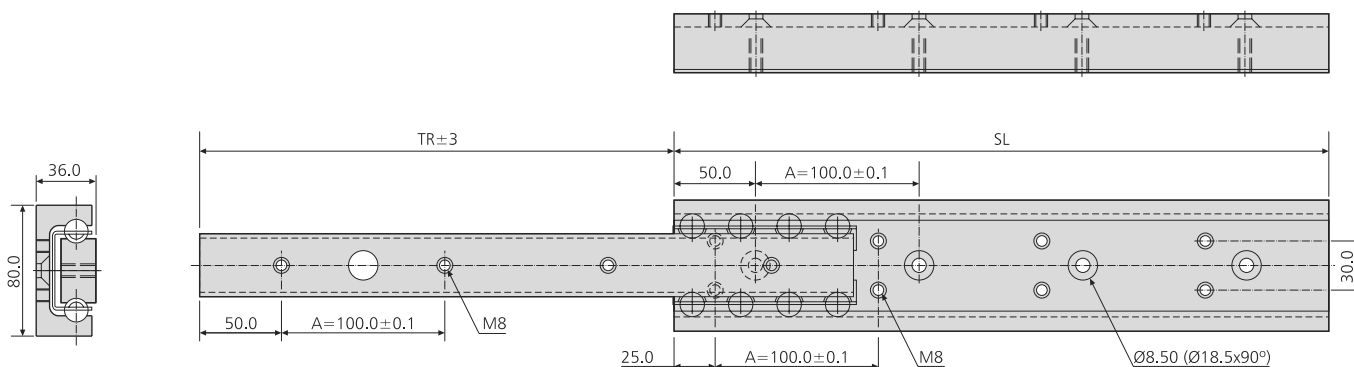
Notes:

- The load rating is based on slides mounted 600mm apart. These slides are suitable for wider applications – please consult with Accuride
- Fixing recommendation: M8 screw. All fixing positions must be used to achieve maximum load rating
- Vertical (side) mounting only
- End stops have been tested to 10 cycles with 400kg at 0.8m/s. We recommend that additional external stopping arrangements are used
- Material specification: Aluminium slide – 6000 series, stainless steel ball bearings and retainer
- We recommend that quality grease, rated for extreme pressure, is re-applied at 2000 cycle intervals

This slide has been designed for very heavy duty applications. If you would like to confirm that this is the correct slide for your application please consult Accuride's technical department.



Aluminium



Tolerances are not accumulative
Les tolérances ne se cumulent pas
Toleranzen der Abstandsmaße addieren sich nicht

DA4120	mm			kg			
	SL	TR±3	A	W*	† L 10,000*	†† L 10,000*	† L 5,000*
DA4120-0040	400	290	3x	2.35	370	185	460
DA4120-0050	500	360	4x	2.93	390	195	480
DA4120-0060	600	430	5x	3.53	400	200	490
DA4120-0070	700	501	6x	4.11	410	205	500
DA4120-0080	800	572	7x	4.68	420	210	510
DA4120-0090	900	642	8x	5.30	425	212	520
DA4120-0100	1000	713	9x	5.83	430	215	530
DA4120-0110	1100	783	10x	6.40	434	217	540
DA4120-0120	1200	853	11x	6.95	438	219	550

* Load rating per pair of slides, weight per individual slide
* Lastwert pro Schienenpaar, Gewicht je Schiene

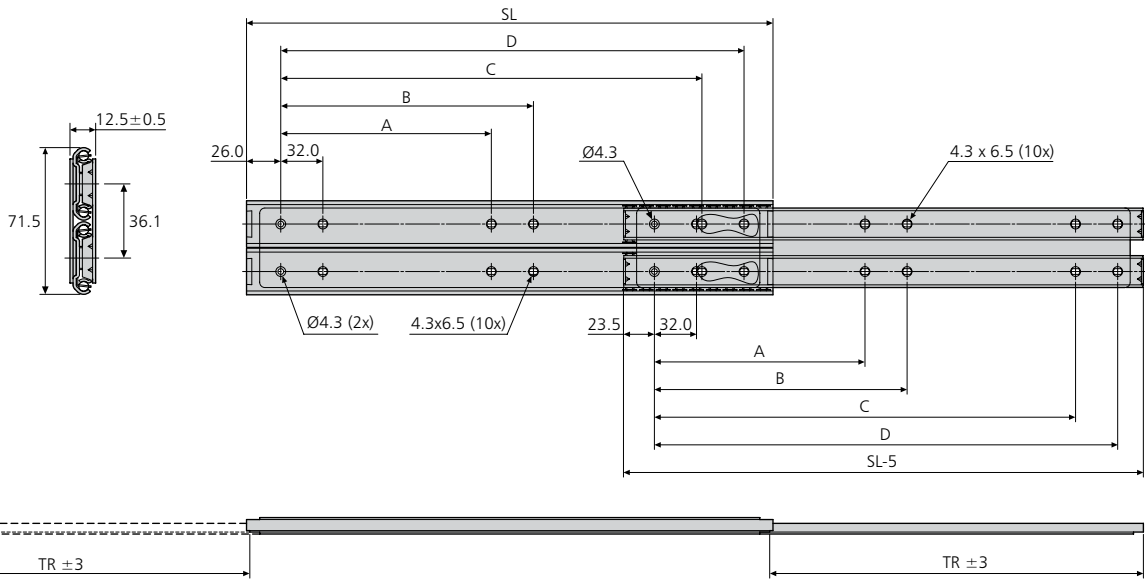
† Vertical mount
Vertikal montiert

†† Horizontal mount
Horizontal montiert

- Two-way travel
- Load rating up to 100kg per pair
- 75% extension
- 12.5mm slide thickness
- Suitable for flat mounting
- Flat mounting reduces load rating by 75%
- Temperature -20°C to +110°C
- DZ - 12 hours salt spray test



- Auszug in beide Richtungen
- Lastwert bis 100kg pro paar
- Teilauszug
- 12,5mm Schienendicke
- Für Flachmontage geeignet
- Flachmontage reduziert den Lastwert um 75%
- Temperatur -20°C bis +110°C
- DZ - 12 Stunden Salzsprühtest



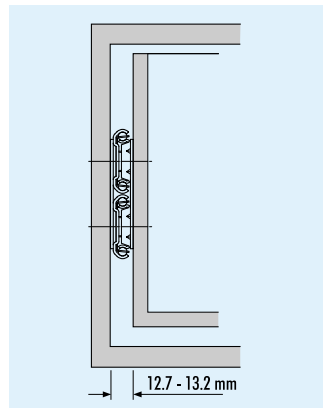
6026	mm						kg	
	SL	TR± 3	A	B	C	D	W	L
DZ6026-0030	300	209.3	96	128	224	256	1.89	80
DZ6026-0035	350	246.6	128	160	256	288	2.22	85
DZ6026-0040	400	283.9	160	192	320	352	2.55	90
DZ6026-0045	450	321.2	192	224	352	384	2.88	95
DZ6026-0050	500	358.5	224	256	416	448	3.20	100
DZ6026-0055	550	395.8	224	256	448	480	3.54	100

Notes:

- Fixing recommendation: M4 screw/4mm wood screw
- Max. head ht. 2.5mm/Ø9.6mm
- Load ratings quoted are the maximum for a pair of side mounted slides installed 450mm apart, unless otherwise stated. For more information, refer to "How to select a slide" section

Hinweise:

- Empfohlene Befestigung: Schraube M4/Holzschraube 4mm
- Max. Kopfhöhe 2,5mm/Ø9,6mm
- Falls nicht anders angegeben, sind die genannten Tragkräfte die maximal erreichbaren, bei einem Paar seitlich montierten Führungen mit 450mm Schienenabstand. Weitere Information siehe Abschnitt 'Schienen-Auswahl'



3/4 extension ball-bearing slide (2 pieces), front disconnect



LG = slide length.
 K = travel length.
 CN = load rating (kg/pair).

Sold by the unit.



Part number	Material	Finish	K	LG	A	B	C	D	E	F	G	CN	Weight (g)
21-7-3576	304 stainless steel	raw	228.6	304.8	-	149.2	260.3	273	-	152.4	254	49	300
21-7-3577	304 stainless steel	raw	279.4	355.6	-	200	311.1	323.8	-	203.2	304.8	47	360
21-7-3562	304 stainless steel	raw	304.8	406.4	-	250.8	361.9	374.6	-	254	359.6	43	420
21-7-3563	304 stainless steel	raw	330.2	457.2	212.7	301.6	412.7	425.4	203.2	304.8	406.4	41	460
21-7-3564	304 stainless steel	raw	382	508	238.1	352.4	463.5	476.2	228.6	355.6	457.2	37	490
21-7-3565	304 stainless steel	raw	406.4	558.8	263.5	403.2	514.3	527	254	406.4	508	34	560
21-7-3566	304 stainless steel	raw	432.8	609.6	288.9	454	565.1	577.8	279.4	457.2	558.8	30	590
21-7-3567	304 stainless steel	raw	482.6	660.4	314.3	504.8	615.9	628.6	304.8	508	609.6	27	660
21-7-3568	304 stainless steel	raw	508	711.2	339.7	555.6	666.7	679.4	330.2	558.8	660.4	25	690

