

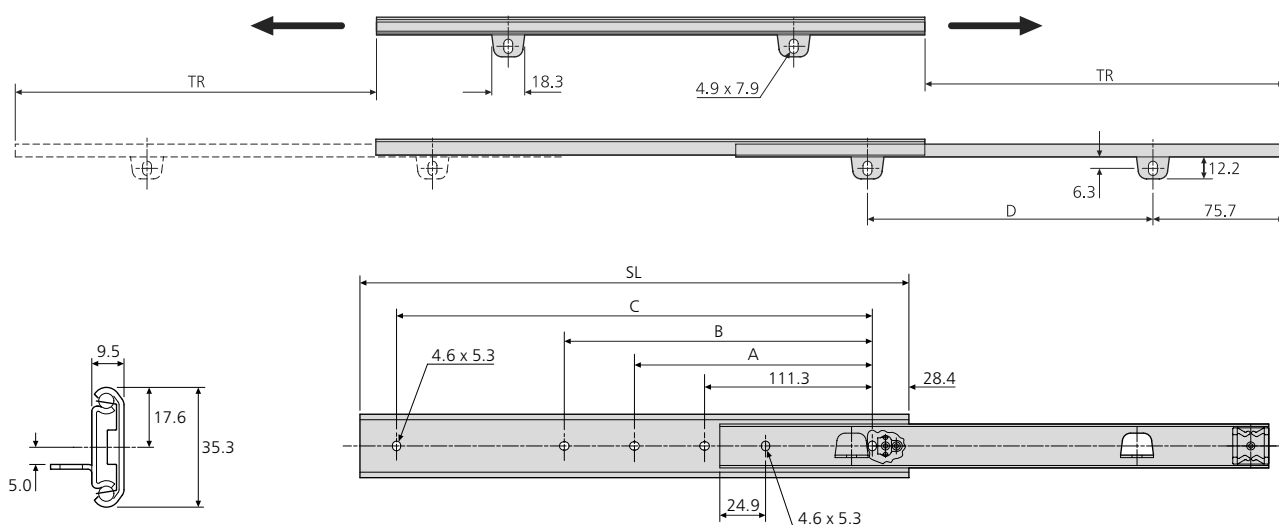
- Two way travel
- Load rating up to 35kg per pair
- 75% extension
- 9.5mm slide thickness
- Hold-in (at centre)
- Built-in mounting tabs
- Fixing hardware included
- Not suitable for flat mounting
- Temperature -20°C to +70°C
- DZ - 12 hours salt spray test

50,000

- Auszug in beide Richtungen
- Lastwert bis 35kg pro paar
- Teilauszug
- 9,5mm Schienendicke
- Rastung in Mittelposition
- Angebrachte Auflagelaschen
- Befestigungsteile inbegriffen
- Nicht für Flachmontage geeignet
- Temperatur -20°C bis +70°C
- DZ - 12 Stunden Salzsprühstest

**Notes:**

- Fixing recommendation: M4 screw/4mm wood screw
- Max. head. ht. 2.5mm/Ø9.6mm
- Vertical (side) mounting only
- Load ratings quoted are the maximum for a pair of side mounted slides installed 450mm apart, unless otherwise stated. For more information, refer to "How to select a slide" section

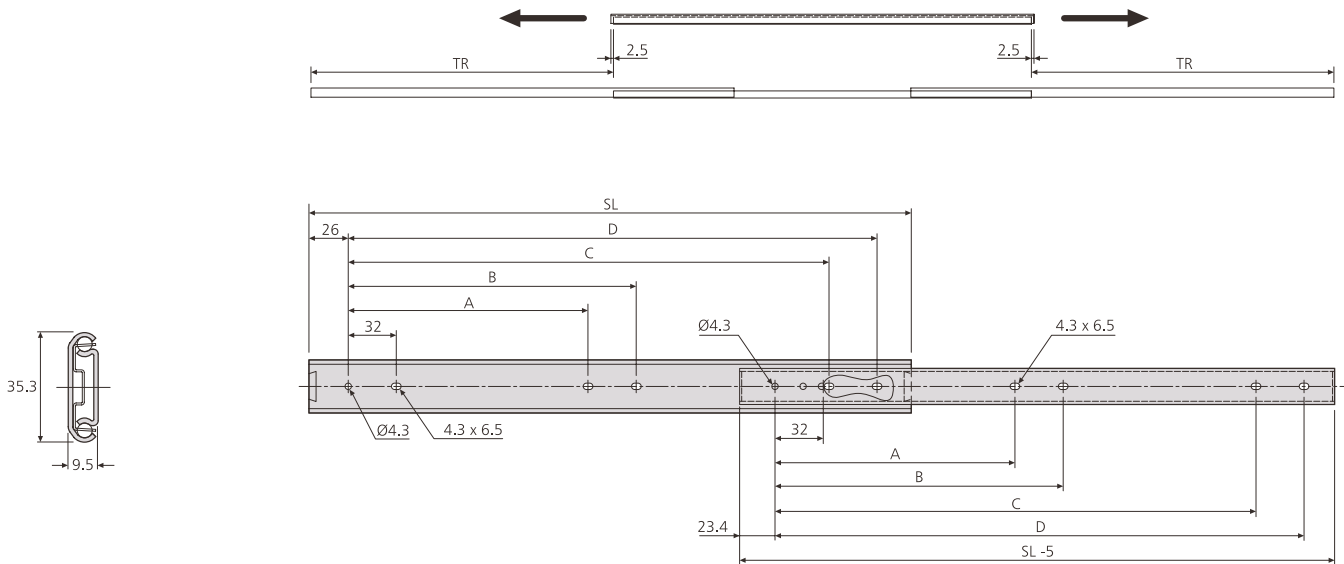


2002	mm						kg	
	SL	TR	A	B	C	D	W	L
DZ2002-0012-2	305	221.5	-	136.7	247.7	153.4	0.59	35
DZ2002-0014-2	356	272.3	-	187.5	298.5	204.2	0.69	35
DZ2002-0016-2	406	297.7	-	238.3	349.3	255.0	0.78	35
DZ2002-0018-2	457	323.1	200.2	289.1	400.1	305.8	0.89	35
DZ2002-0020-2	508	373.9	225.6	339.9	450.9	356.6	1.00	32
DZ2002-0022-2	558	399.3	251.0	390.7	501.7	407.4	1.08	31
DZ2002-0024-2	610	424.7	276.4	441.5	552.5	458.2	1.19	29
DZ2002-0026-2	660	475.5	301.8	492.3	603.3	509.0	1.28	27
DZ2002-0028-2	711	500.9	327.2	543.1	654.1	559.8	1.38	24

- Two-way travel
- Load rating up to 50kg per pair
- 75% extension
- 9.5mm slide thickness
- Hold-out on both sides
- Suitable for flat mounting
- Flat mounting reduces load rating by 75%
- Temperature -20°C to +110°C
- DZ - 12 hours salt spray test



- Auszug in beide Richtungen
- Lastwert bis 50kg pro paar
- Teilauszug
- 9,5mm Schienendicke
- Aushalterung auf beiden Seiten
- Für Flachmontage geeignet
- Flachmontage reduziert den Lastwert um 75%
- Temperatur -20°C bis +110°C
- DZ - 12 Stunden Salzsprühstest



2026	mm						kg	
	SL	TR	A	B	C	D	W	L
DZ2026-0030	300	208.8	128	160	224	256	0.56	50
DZ2026-0035	350	246.1	160	192	256	288	0.65	50
DZ2026-0040	400	283.4	192	224	320	352	0.74	45
DZ2026-0045	450	320.7	224	256	352	384	0.84	40
DZ2026-0050	500	358.0	256	288	416	448	0.94	40
DZ2026-0055	550	395.3	256	288	480	512	1.03	35
DZ2026-0060	600	432.6	288	320	512	544	1.13	35
DZ2026-0065	650	469.9	288	320	576	608	1.21	30
DZ2026-0070	700	507.2	320	352	608	640	1.32	30

**Notes:**

- Fixing recommendation: M4 screw/4mm wood screw
- Max. head. ht. 2.5mm/Ø9.6mm
- Load ratings quoted are the maximum for a pair of side mounted slides installed 450mm apart, unless otherwise stated. For more information, refer to "How to select a slide" section

**Hinweise:**

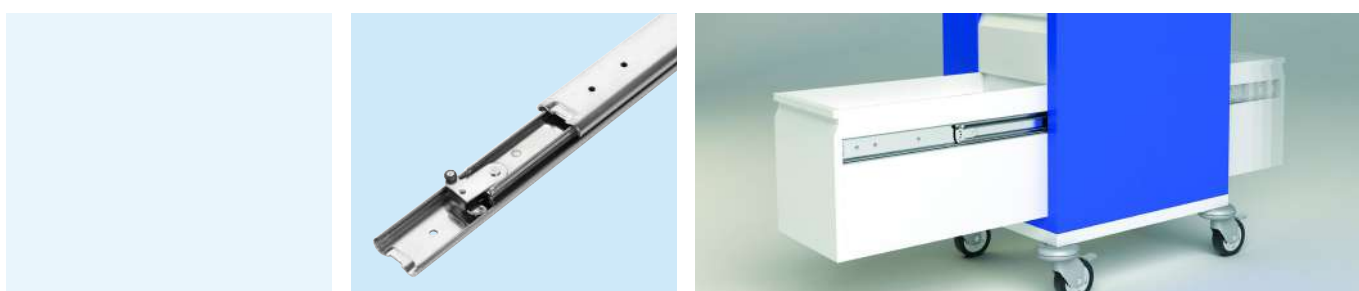
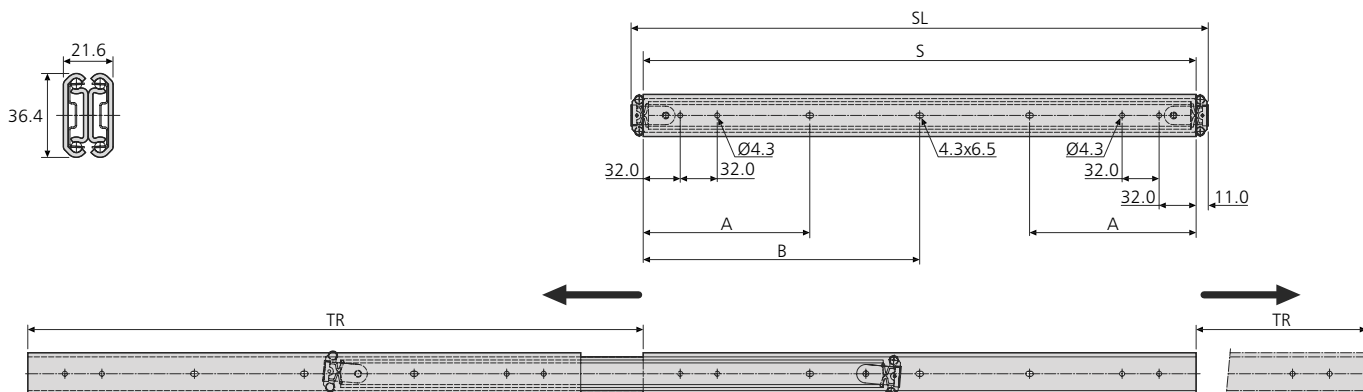
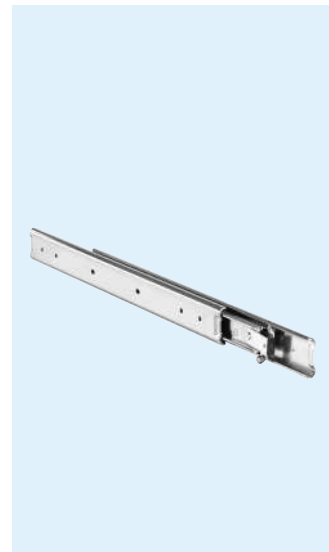
- Empfohlene Befestigung: Schraube M4/ Holzschraube 4mm
- Max. Kopfhöhe 2,5mm/Ø9,6mm
- Falls nicht anders angegeben, sind die genannten Tragkräfte die maximal erreichbaren, bei einem Paar seitlich montierten Führungen mit 450mm Schienenabstand. Weitere Information siehe Abschnitt 'Schienen-Auswahl'

- Two-way travel
- Load rating up to 45kg per pair
- 100% extension
- 21.6mm slide thickness
- Hold-in (at centre)
- Not suitable for flat mounting
- Temperature -20°C to +70°C
- DZ - 12 hours salt spray test
- DB - 96 hours salt spray test

80,000

**Notes:**

- Fixing recommendation: M4 screw/  
4mm wood screw
- Max.head. ht. 2.5mm/Ø9.6mm
- Vertical (side) mounting only
- Load ratings quoted are the maximum for a pair  
of side mounted slides installed 450mm apart,  
unless otherwise stated. For more information,  
refer to "How to select a slide" section



3630	mm						kg	
	SL	S	TR	Trx2	A	B	W	L
*3630-0030	300	278	332	664	-	139	1.54	35
*3630-0035	350	328	384	768	144	-	1.81	40
*3630-0040	400	378	432	864	144	-	2.11	40
*3630-0045	450	428	484	968	144	-	2.35	45
*3630-0050	500	478	532	1064	144	-	2.66	45
*3630-0055	550	528	584	1168	144	-	2.89	45
*3630-0060	600	578	632	1264	144	-	3.18	45
*3630-0070	700	678	732	1464	176	339	3.76	40

\* Prefix DZ for bright zinc plate, DB for black zinc plate  
Préfixe DZ pour zingué brillant, DB pour zingué noir  
Präfix DZ für helle Oberfläche, DB für schwarze Oberfläche

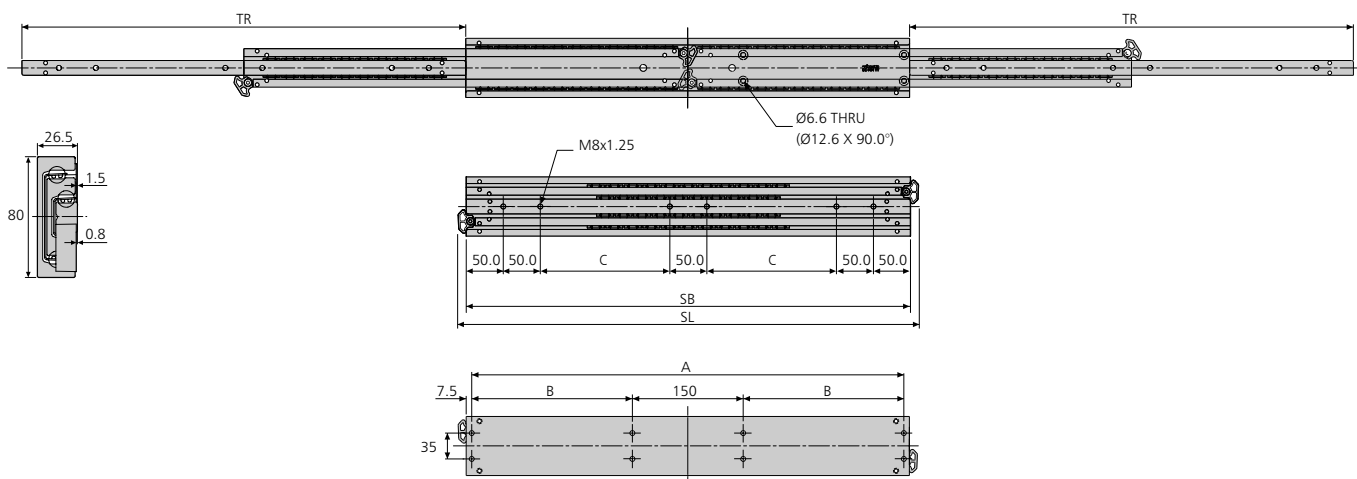
- Aluminium
- Load rating up to 270kg per pair
- 100% extension
- Two-way travel
- 26.5mm slide thickness
- Stainless steel ball retainer and ball bearings
- Corrosion resistant
- Not suitable for flat mounting
- Temperature -20°C to +70°C

10,000

**Notes:**

- The load rating is based on slides mounted 600mm apart. These slides are suitable for wider applications – please consult with Accuride.
- Fixing recommendation: M6/M8 screw. All fixing positions must be used to achieve maximum load rating.
- Vertical (side) mounting only.
- End stops have been tested to 10 cycles with the nominated loads at 0.8m/s. We recommend that additional external stopping arrangements are used.
- Material specification: Aluminium slide – 6000 series, stainless steel ball bearings (1.4021) and retainer (1.4301).
- We recommend that quality grease, rated for extreme pressure, is re-applied at 2000 cycle intervals.

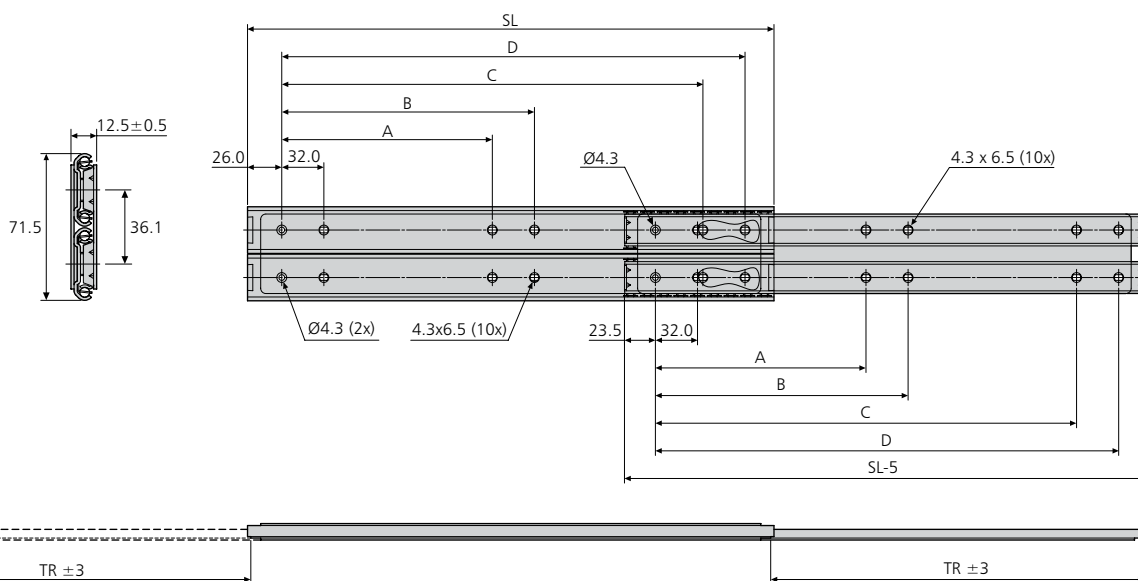
This slide has been designed for heavy duty applications. If you would like to confirm that this is the correct slide for your application please consult Accuride's technical department.



DA4165	mm						kg	
	SL	SB	TR	A	B	C	W	L
DA4165-0040	422	400	400	385	117.5	75	3.44	210
DA4165-0050	522	500	500	485	167.5	125	4.30	270
DA4165-0060	622	600	600	585	217.5	175	5.18	270
DA4165-0070	722	700	700	685	267.5	225	6.04	250
DA4165-0080	822	800	800	785	317.5	275	6.92	245
DA4165-0090	922	900	900	885	367.5	325	7.80	225
DA4165-0100	1022	1000	1000	985	417.5	375	8.66	205

- Two-way travel
- Load rating up to 100kg per pair
- 75% extension
- 12.5mm slide thickness
- Suitable for flat mounting
- Flat mounting reduces load rating by 75%
- Temperature -20°C to +110°C
- DZ - 12 hours salt spray test

- Auszug in beide Richtungen
- Lastwert bis 100kg pro paar
- Teilauszug
- 12,5mm Schienendicke
- Für Flachmontage geeignet
- Flachmontage reduziert den Lastwert um 75%
- Temperatur -20°C bis +110°C
- DZ - 12 Stunden Salzsprühstest



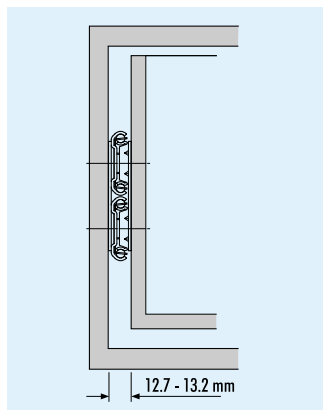
6026	mm						kg	
	SL	TR± 3	A	B	C	D	W	L
DZ6026-0030	300	209.3	96	128	224	256	1.89	80
DZ6026-0035	350	246.6	128	160	256	288	2.22	85
DZ6026-0040	400	283.9	160	192	320	352	2.55	90
DZ6026-0045	450	321.2	192	224	352	384	2.88	95
DZ6026-0050	500	358.5	224	256	416	448	3.20	100
DZ6026-0055	550	395.8	224	256	448	480	3.54	100

**Notes:**

- Fixing recommendation: M4 screw/4mm wood screw
- Max. head ht. 2.5mm/Ø9.6mm
- Load ratings quoted are the maximum for a pair of side mounted slides installed 450mm apart, unless otherwise stated. For more information, refer to "How to select a slide" section

**Hinweise:**

- Empfohlene Befestigung: Schraube M4/Holzschraube 4mm
- Max. Kopfhöhe 2,5mm/Ø9,6mm
- Falls nicht anders angegeben, sind die genannten Tragkräfte die maximal erreichbaren, bei einem Paar seitlich montierten Führungen mit 450mm Schienenabstand. Weitere Information siehe Abschnitt 'Schienen-Auswahl'



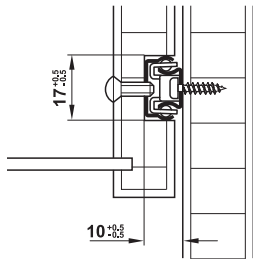
**Groove mounted runners**

→ **Load bearing capacity up to 10 kg**  
Single extension, two-way travel, runner width 17 mm

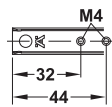
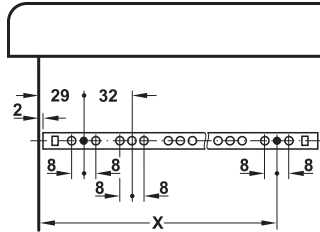


- > Material: Steel
- > Finish: Pre-galvanized
- > Dim.: Max. drawer width = internal cabinet width – 20 mm + double groove depth
- > Installation: For screw fixing
- > Material thickness: 1.0 mm

**Installation**



**Drilling pattern**

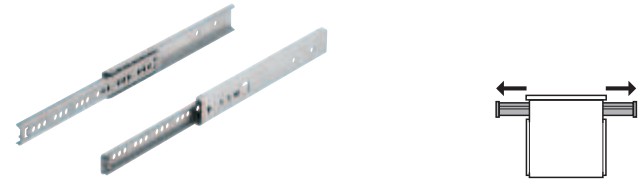


Drawer rail

Cabinet runner length mm	Drawer rail length mm	Ball cage length mm	Dim. X mm	Cat. No.
182	182	47	157	450.25.405
214	214	72	189	450.25.415
246	246	72	221	450.25.425
278	278	72	253	450.25.435
310	310	96	285	450.25.445
342	342	96	317	450.25.455

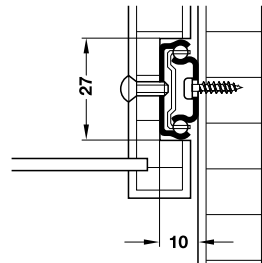
Packing: 1 or 50 pairs

→ **Load bearing capacity up to 12 kg**  
Single extension, two-way travel, runner width 27 mm



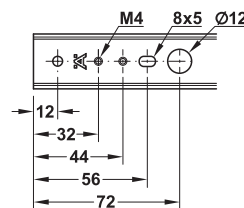
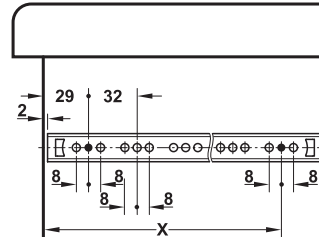
- > Material: Steel
- > Finish: Galvanized
- > Dim.: Max. drawer width = internal cabinet width – 20 mm + double groove depth
- > Installation: Groove mounted on drawer
- > Material thickness: 1.2 mm

**Installation**



Secure guide rail in drawer groove using an M4 threaded screw.

**Drilling pattern**



Drawer rail

Cabinet runner length mm	Drawer rail length mm	Ball cage length mm	Dim. X mm	Cat. No.
246	246	76	192	450.25.520
278	278	102	224	450.25.530
310	310	102	256	450.25.480
342	342	102	288	450.25.540

Packing: 1 or 20 pairs

# Drawer Runners

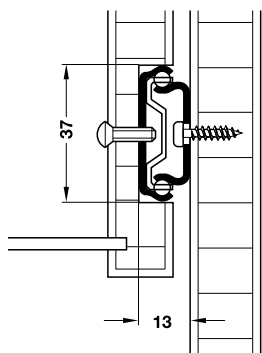
## Ball bearing runners

→ **Load bearing capacity up to 25 kg**  
 Single extension, two-way travel, rail width 37 mm



- > Material: Steel
- > Finish: Galvanized
- > Bearing: 2 ball cages
- > Dim.: Max. drawer width = internal cabinet width – 26 mm + double groove depth
- > Installation: Groove mounted on drawer

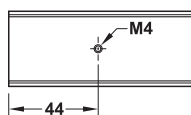
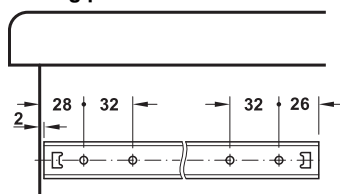
### Installation



Secure guide rail in drawer groove using an M4 threaded screw.



### Drilling pattern



Drawer rail

Installation length L mm	Drawer length SL mm	Cat. No.
292	300–480	420.96.300
342	350–580	420.96.350

Packing: 1 or 10 pairs

**Full extension, two-way travel**  
 Load bearing capacity up to 100 kg

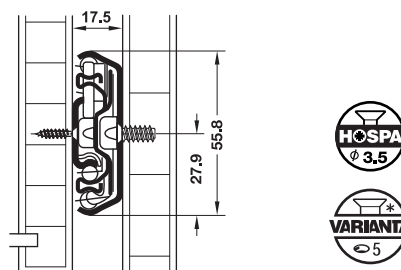


- > Area of application: For continuous front panels
- > Material: Steel
- > Finish: Galvanized
- > Dim.: Max. drawer width = internal cabinet width – 35 mm
- > Installation: At drawer, side mounted

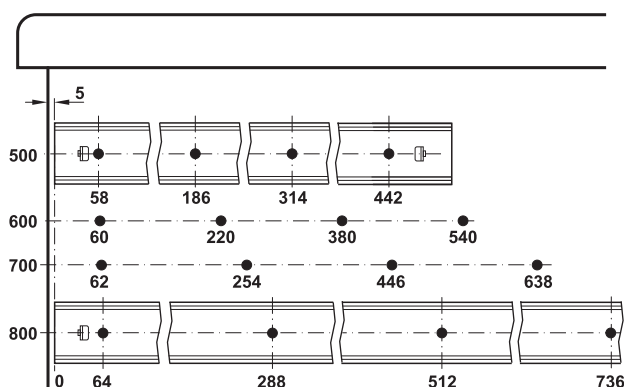
### Note

Front panels must be notched for two-way travel drawers with continuous front panels.

### Installation



### Drilling pattern



Installation length L mm	Extension length AL mm	Load bearing capacity kg	Cat. No.
500	503	88	420.83.950
600	607	89	420.83.960
700	711	99	420.83.970
800	815	100	420.83.980

Packing: 1 pair