



METALIKA
KOMPONENTE ZA INDUSTRIJO **KACIN**

Telescopic slides

With hold-in and hold-out mechanism

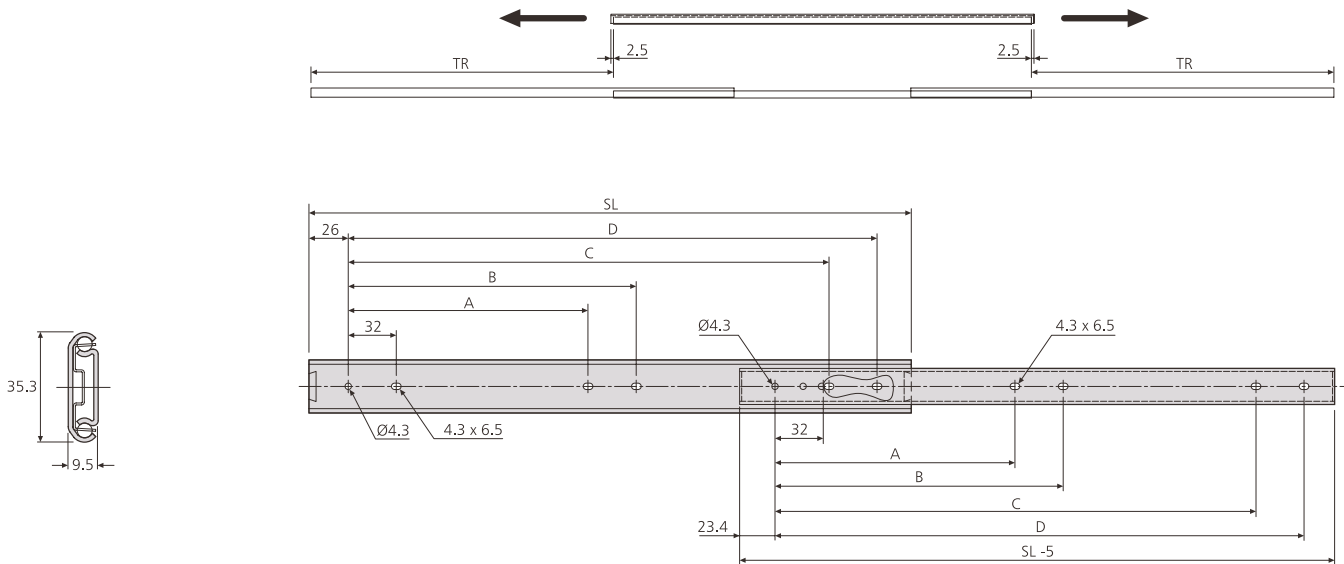
English / German versions

www.METALIKA-KACIN.com

- Two-way travel
- Load rating up to 50kg per pair
- 75% extension
- 9.5mm slide thickness
- Hold-out on both sides
- Suitable for flat mounting
- Flat mounting reduces load rating by 75%
- Temperature -20°C to +110°C
- DZ - 12 hours salt spray test



- Auszug in beide Richtungen
- Lastwert bis 50kg pro paar
- Teilauszug
- 9,5mm Schienendicke
- Aushalterung auf beiden Seiten
- Für Flachmontage geeignet
- Flachmontage reduziert den Lastwert um 75%
- Temperatur -20°C bis +110°C
- DZ - 12 Stunden Salzsprühtest



2026	mm						kg	
	SL	TR	A	B	C	D	W	L
DZ2026-0030	300	208.8	128	160	224	256	0.56	50
DZ2026-0035	350	246.1	160	192	256	288	0.65	50
DZ2026-0040	400	283.4	192	224	320	352	0.74	45
DZ2026-0045	450	320.7	224	256	352	384	0.84	40
DZ2026-0050	500	358.0	256	288	416	448	0.94	40
DZ2026-0055	550	395.3	256	288	480	512	1.03	35
DZ2026-0060	600	432.6	288	320	512	544	1.13	35
DZ2026-0065	650	469.9	288	320	576	608	1.21	30
DZ2026-0070	700	507.2	320	352	608	640	1.32	30

Notes:

- Fixing recommendation: M4 screw/4mm wood screw
- Max. head. ht. 2.5mm/Ø9.6mm
- Load ratings quoted are the maximum for a pair of side mounted slides installed 450mm apart, unless otherwise stated. For more information, refer to "How to select a slide" section

Hinweise:

- Empfohlene Befestigung: Schraube M4/ Holzschraube 4mm
- Max. Kopfhöhe 2,5mm/Ø9,6mm
- Falls nicht anders angegeben, sind die genannten Tragkräfte die maximal erreichbaren, bei einem Paar seitlich montierten Führungen mit 450mm Schienenabstand. Weitere Information siehe Abschnitt 'Schienen-Auswahl'

- Load rating up to 35kg per pair
- 75% extension
- 12.7mm slide thickness
- Height adjustable brackets included
- Front disconnect
- Hold-in and hold-out
- Optional clip-on bracket for bottom mounting
- Not suitable for flat mounting
- Temperature -20°C to +70°C
- DZ - 12 hours salt spray test

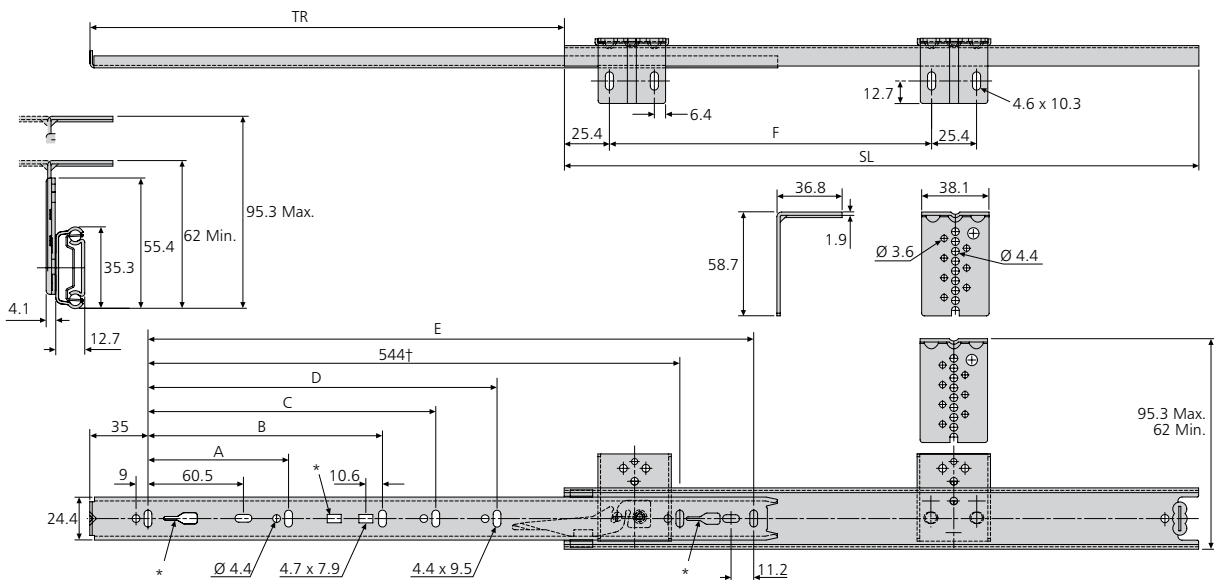
- Lastwert bis 35kg pro paar
- Teilauszug
- 12,7mm Schienendicke
- Höhenverstellbare Montagewinkel inbegriffen
- Frontschnelltrennung
- Rastung in geschlossener Position und Rastung in ausgezogener Position
- Optionaler Aufsteckwinkel für Bodenmontage
- Nicht für Flachmontage geeignet
- Temperatur -20°C bis +70°C
- DZ - 12 Stunden Salzsprühstest

Notes:

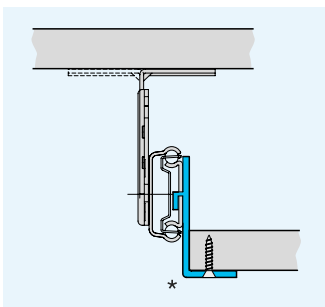
- Fixing hardware included
- Max. head. ht. 2.5mm/Ø9,6mm
- Vertical (side) mounting only
- *For optional clip-on brackets, refer to 633xx in "Mounting kits and accessories" section. Not suitable for 2109-0030/0035
- For more information, refer to "How to select a slide" section



50,000



† 2109-0065-2



2109	mm								kg	
	SL	TR	A	B	C	D	E	F	W	L
DZ2109-0030-2	300	205	96	-	-	-	242	215.9	0.87	35
DZ2109-0035-2	350	260	128	-	-	-	292	215.9	0.99	35
DZ2109-0040-2	400	281	128	-	-	-	342	215.9	1.07	30
DZ2109-0045-2	450	331	128	224	-	-	392	215.9	1.14	30
DZ2109-0050-2	500	376	128	224	-	-	442	292.1	1.23	25
DZ2109-0055-2	550	415	128	224	320	-	492	292.1	1.33	25

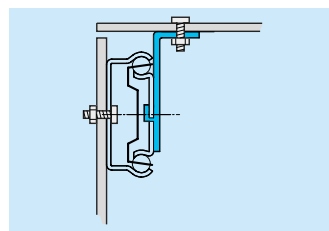
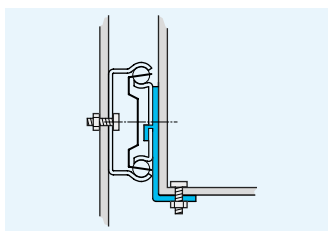
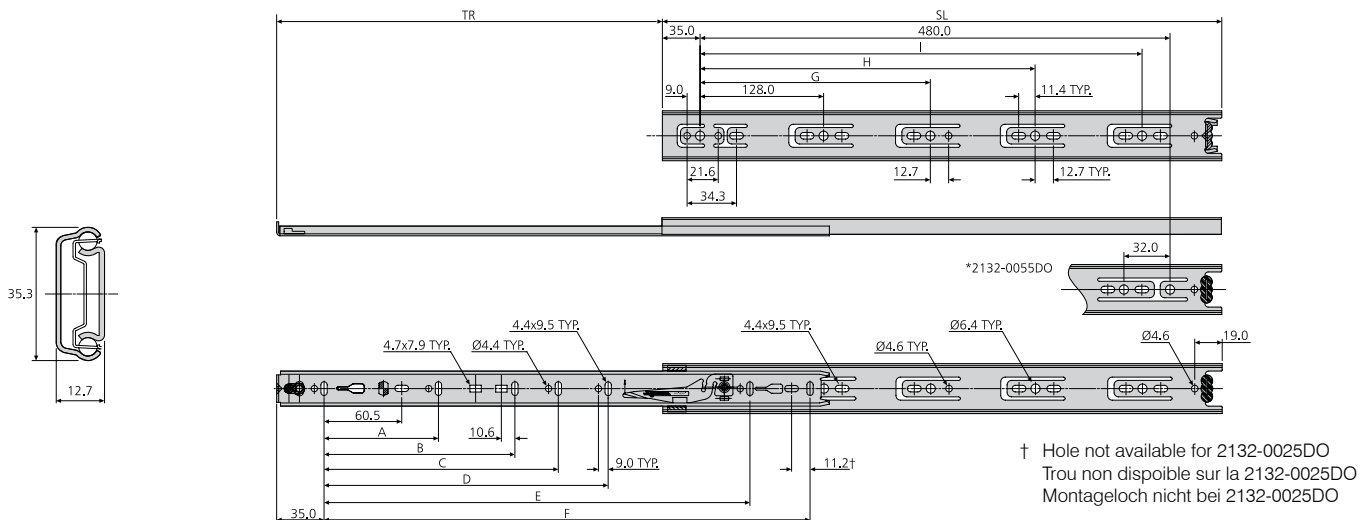
- Hold-out in open position
- Load rating up to 35/50kg per pair
- 75% extension
- 12.7mm slide thickness (14mm with mounting bracket)
- Optional clip-on bracket for bottom & platform mounting
- Front disconnect
- Hold-in
- Cam drawer adjust (3.2mm)
- Not suitable for flat mounting
- Temperature -20°C to +70°C
- DZ - 12 hours salt spray test

- Rastung in ausgezogener Position
- Lastwert bis 35/50kg pro paar
- Teilauszug
- 12,7mm Schienendicke (14mm mit Montagewinkel)
- Optionaler Aufsteckwinkel für Boden- bzw. Plattformmontage
- Frontschnelltrennung
- Rastung in geschlossener Position
- Einstellnocken für Schublade (3,2mm)
- Nicht für Flachmontage geeignet
- Temperatur -20°C bis +70°C
- DZ - 12 Stunden Salzsprühstest

Notes:

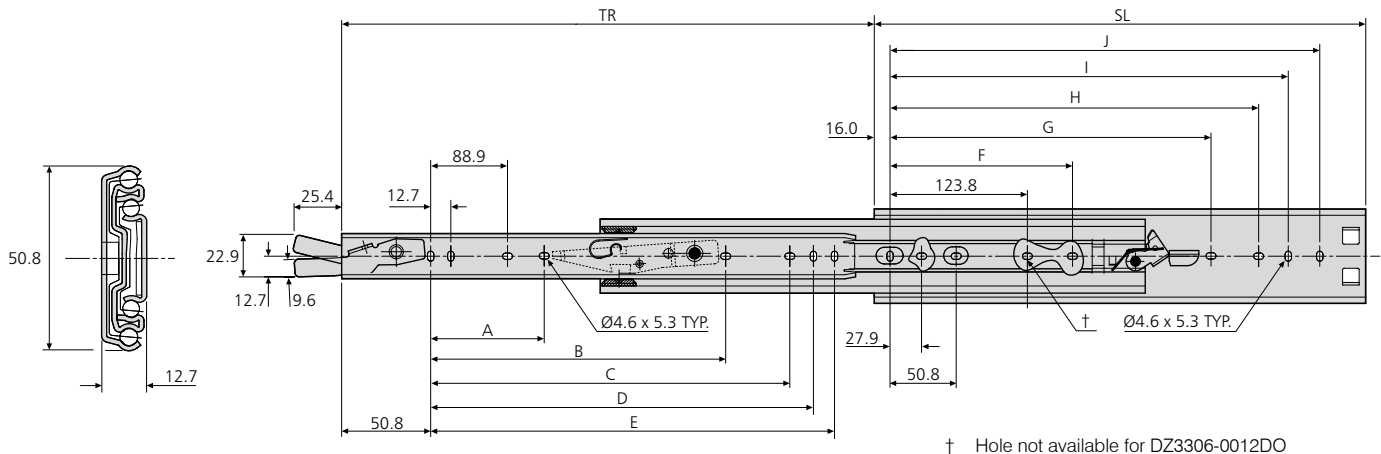
- Fixing recommendation: M4 screw/ 4mm wood screw
- Max. head. ht. 2.5mm/Ø9.6mm
- For optional clip-on brackets, refer to 633xx in "Mounting kits and accessories" section.
- Vertical (side) mounting only
- For more information, refer to "How to select a slide" section

 10,000
  80,000



2132DO	mm											kg		
	SL	TR	A	B	C	D	E	F	G	H	I	W	L 10,000	L 80,000
DZ2132-0025DO	250	163	96	-	-	-	-	192	-	-	-	0.45	50	35
DZ2132-0030DO	300	205	96	-	-	-	-	242	224	-	-	0.52	50	35
DZ2132-0035DO	350	260	128	-	-	-	-	292	224	-	-	0.64	50	35
DZ2132-0040DO	400	281	128	-	-	-	-	342	224	-	320	0.71	50	35
DZ2132-0045DO	450	331	128	224	-	-	-	392	224	-	352	0.78	48	35
DZ2132-0050DO	500	376	128	224	-	-	-	442	224	-	416	0.88	45	34
DZ2132-0055DO	550	415	128	224	320	-	-	492	224	352	*	0.98	42	33
DZ2132-0060DO	600	451	128	224	320	-	-	542	224	352	480	1.05	40	32
DZ2132-0065DO	650	488	128	224	320	416	544	592	224	352	544	1.16	37	31
DZ2132-0070DO	700	526	128	224	288	416	-	642	224	352	544	1.27	35	30

- Load rating up to 68kg per pair
- 100%+ extension
- 12.7mm slide thickness
- Lock-in
- Hold-out in open position
- Front disconnect
- Fixing hardware included
- Optional enclosure mounting brackets
- Suitable for flat mounting
- Flat mounting reduces load rating by 75%
- Temperature -20°C to +70°C
- DZ - 12 hours salt spray test



† Hole not available for DZ3306-0012DO

3306DO	mm												kg	
	SL	TR	A	B	C	D	E	F	G	H	I	J	W	L
DZ3306-0012DO-2	305	330	-	-	200.1	212.8	225.5	-	-	209.5	234.9	260.3	1.28	68
DZ3306-0014DO-2	356	381	-	-	250.9	263.6	276.3	-	-	260.3	285.7	311.1	1.54	67
DZ3306-0016DO-2	406	432	-	-	301.7	314.4	327.1	-	-	311.1	336.5	361.9	1.71	67
DZ3306-0018DO-2	457	483	143.0	279.4	352.5	365.2	377.9	177.8	314.4	361.9	387.3	412.7	1.93	66
DZ3306-0020DO-2	508	533	168.4	330.2	403.3	416.0	428.7	203.2	365.2	412.7	438.1	463.5	2.15	66
DZ3306-0022DO-2	559	584	193.8	381.0	454.1	466.8	479.5	228.6	416.0	463.5	488.9	514.3	2.38	64
DZ3306-0024DO-2	610	635	219.2	431.8	504.9	517.6	530.3	254.0	466.8	514.3	539.7	565.1	2.57	61
DZ3306-0026DO-2	660	686	244.6	482.6	555.7	568.4	581.1	279.4	517.6	565.1	590.5	615.9	2.83	58
DZ3306-0028DO-2	711	737	270.0	533.4	606.5	619.2	631.9	304.8	568.4	615.9	641.3	666.7	3.05	55



DZ63480-4

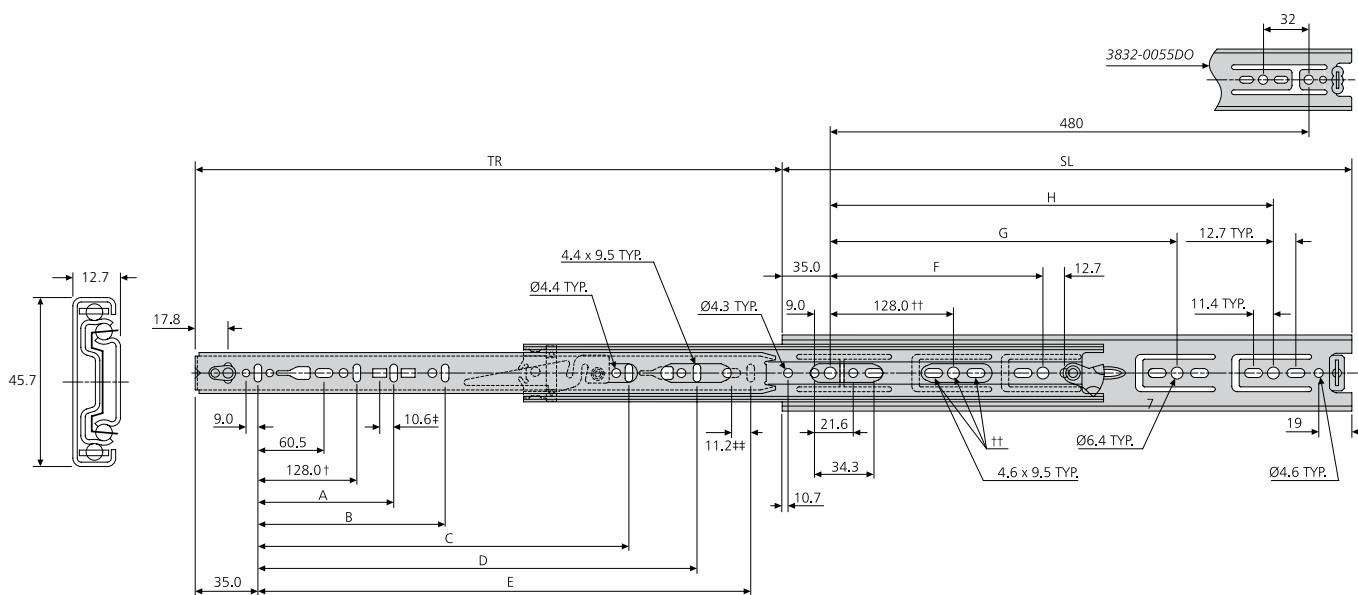
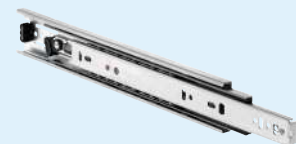


Notes:

- Handed slide assembly
- Fixing hardware included
- For enclosure mounting brackets, refer to "Mounting kits and accessories" section
- For cable carriers, refer to "Mounting kits and accessories" section
- Load ratings quoted are the maximum for a pair of side mounted slides installed 450mm apart, unless otherwise stated. For more information, refer to "How to select a slide" section

- Hold-out in open position
- Load rating up to 45/50kg per pair
- 100% extension
- 12.7mm slide thickness (14mm with mounting bracket)
- Optional clip-on bracket for bottom and platform mounting
- Front disconnect
- Hold-in
- Cam drawer adjust (3.2mm)
- Not suitable for flat mounting
- Temperature -20°C to +70°C
- DZ - 12 hours salt spray test

- Rastung in ausgezogener Position
- Lastwert bis 45/50kg pro paar
- Vollauszug
- 12,7mm Schienendicke (14mm mit Montagewinkel)
- Optionaler Aufsteckwinkel für Boden- bzw. Plattformmontage
- Frontschnelltrennung
- Rastung in geschlossener Position
- Einstellnocken für Schublade (3,2mm)
- Nicht für Flachmontage geeignet
- Temperatur -20°C bis +70°C
- DZ - 12 Stunden Salzsprühtest



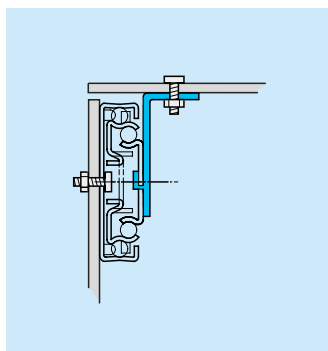
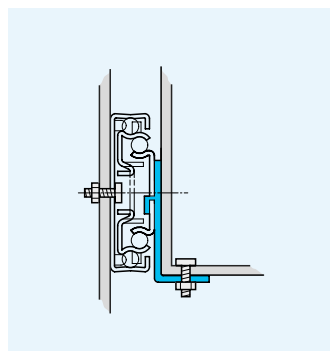
† 3832-0025DO/3832-0030DO – 96mm

‡ Hole not available for 3832-0025DO/3832-0030DO
Montageloch nicht bei 3832-0025DO/3832-0030DO

‡ 3832-0060DO, 3832-0065DO, 3832-0070DO

‡ Hole not available for 3832-0025DO
Montageloch nicht bei 3832-0025DO

3832DO	mm										kg		
	SL	TR	A	B	C	D	E	F	G	H	W	L 10,000	L 80,000
DZ3832-0025DO	250	243	-	-	-	-	192	160	-	-	0.77	47	41
DZ3832-0030DO	300	305	-	-	-	-	242	224	-	-	0.91	48	42
DZ3832-0035DO	350	356	-	-	-	-	292	224	-	-	1.07	49	43
DZ3832-0040DO	400	406	-	-	-	-	342	224	320	-	1.21	50	44
DZ3832-0045DO	450	457	-	-	320	-	392	-	352	-	1.37	50	45
DZ3832-0050DO	500	508	-	-	320	-	442	-	416	-	1.53	50	45
DZ3832-0055DO	550	559	-	-	320	416	492	-	352	-	1.68	50	45
DZ3832-0060DO	600	610	224	-	416	-	542	224	352	480	1.86	50	45
DZ3832-0065DO	650	660	224	-	416	544	592	224	352	544	1.97	49	44
DZ3832-0070DO	700	711	224	288	416	544	642	224	-	544	2.17	48	43



Notes:

- Fixing recommendation: M4 screw/4mm wood screw/6mm Euro screw
- Max. head. ht. 2.5mm/Ø9.6mm
- For optional clip-on brackets, refer to 633xx in "Mounting kits and accessories" section. Not 3832-0025DO/0030DO
- Vertical (side) mounting only
- Load ratings quoted are the maximum for a pair of side mounted slides installed 450mm apart, unless otherwise stated. For more information, refer to "How to select a slide" section

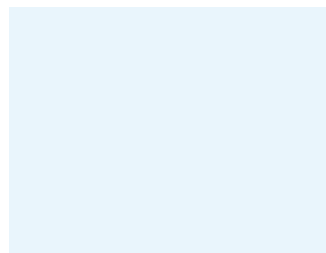
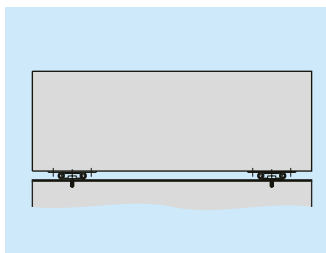
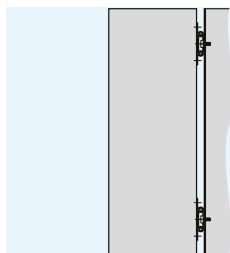
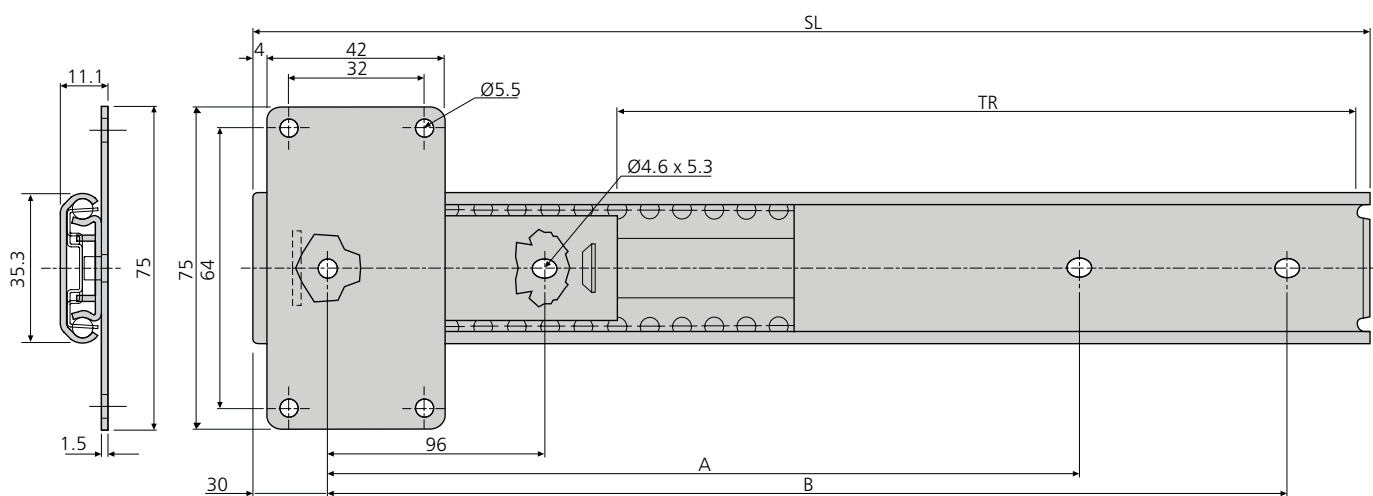
Hinweise:

- Empfohlene Befestigung: Schraube M4/ Holzschraube 4mm/Euro-Schraube 6mm
- Max. Kopfhöhe 2,5mm/Ø9,6mm
- Optionale Aufsteckwinkel siehe 633xx in Abschnitt „Montage-Kits und Zubehör“. Nicht 3832-0025DO/0030DO
- Nur Vertikalmontage
- Falls nicht anders angegeben, sind die genannten Tragkräfte die maximal erreichbaren, bei einem Paar seitlich montierten Führungen mit 450mm Schienenabstand. Weitere Information siehe Abschnitt „Montage-Kits und Zubehör“

- Load rating up to 60kg
- Linear motion
- Slide thickness 11.1mm
- Hold-out at one end
- Sold in pairs
- Vertical or horizontal mounting
- Suitable for flat mounting
- Temperature -20°C to +70°C
- DZ - 12 hours salt spray test



- Lastwert bis 60kg
- Linearbewegung
- 11,1mm Schienendicke
- Rastung in ausgezogener Position an einem Ende
- Verkauf paarweise
- Vertikale oder horizontale Montage
- Für Flachmontage geeignet
- Temperatur -20°C to +70°C
- DZ - 12 Stunden Salzprühtest



1312	mm				kg		
	SL	TR	A	B	W	†L*	††L*
DZ1312-0035	350	257	192	288	0.58	60	50
DZ1312-0040	400	307	224	320	0.66	60	50
DZ1312-0045	450	357	256	352	0.72	60	50
DZ1312-0050	500	407	352	448	0.78	60	50
DZ1312-0055	550	457	352	448	0.84	60	50
DZ1312-0060	600	502	448	544	0.90	60	50

* Load rating per pair of slides with the load evenly distributed
Lastkraft pro Schienenpaar bei gleichmäßiger Lastverteilung

† Horizontal mount
Horizontal montiert

†† Vertical mount
Vertikal montiert

Notes:

- Fixing recommendation: M4
- Cannot be used in the upright position

Hinweise:

- Empfohlene Befestigung: Schraube M4
- Kann nicht in der aufrechten Position benutzt werden

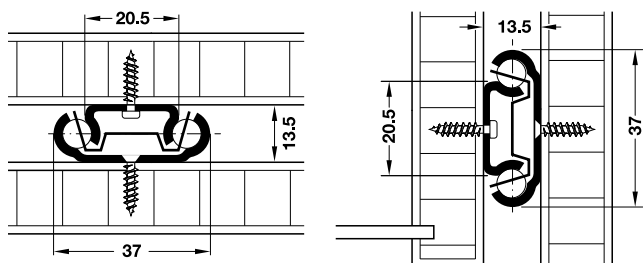
Shelf and drawer runners, single extension

Load bearing capacity up to 60 kg



- > Version: Special distinctive guide profiles provide extremely low lowering and loss of load bearing capacity when surface mounted, with hold-in device for holding in closed position
- > Material: Steel
- > Finish: Galvanized
- > Dim.: Max. drawer width = internal cabinet width – 27 mm
- > Installation: At shelf and drawer, surface mounted or side mounted

Installation

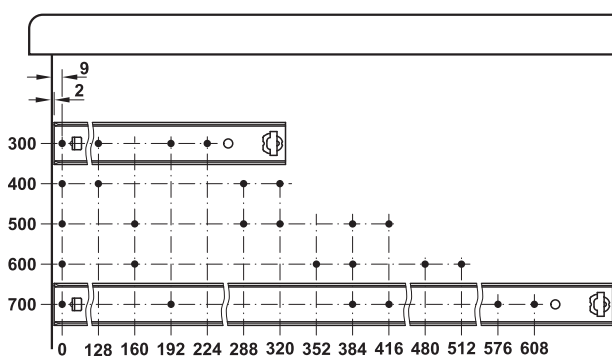


Surface mounted, load bearing capacity up to 20 kg Side mounted, load bearing capacity up to 60 kg



Ball Bearing Runners

Drilling pattern



Installation length L mm	Extension length AL mm	Load bearing capacity kg	Cat. No.
300	205	60	422.61.307
400	289	42	422.61.340
500	373	42	422.61.350
600	457	43	422.61.361
700	541	43	422.61.370

Packing: 1 pair

Order reference

Other lengths available on request.

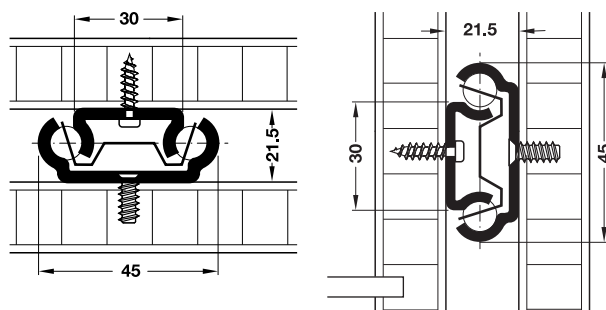
Shelf and drawer runners, single extension

Load bearing capacity up to 70 kg



- > Version: Special distinctive guide profiles provide extremely low lowering and loss of load bearing capacity when surface mounted, with hold-in device for holding in closed position
- > Material: Steel
- > Finish: Galvanized
- > Dim.: Max. drawer width = internal cabinet width – 43 mm
- > Installation: At shelf and drawer, surface mounted or side mounted

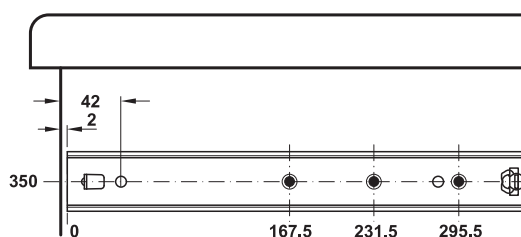
Installation



Surface mounted, load bearing capacity up to 40 kg Side mounted, load bearing capacity up to 70 kg



Drilling pattern



Installation length L mm	Extension length AL mm	Cat. No.
350	224	422.60.337

Packing: 1 pair

Full extension, two-way travel

Load bearing capacity up to 100 kg

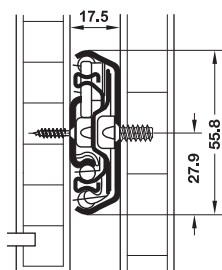


- > Area of application: For continuous front panels
- > Material: Steel
- > Finish: Galvanized
- > Dim.: Max. drawer width = internal cabinet width – 35 mm
- > Installation: At drawer, side mounted

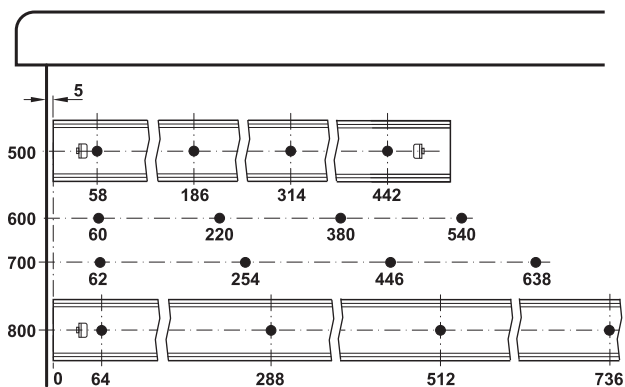
Note

Front panels must be notched for two-way travel drawers with continuous front panels.

Installation



Drilling pattern



Installation length L mm	Extension length AL mm	Load bearing capacity kg	Cat. No.
500	503	88	420.83.950
600	607	89	420.83.960
700	711	99	420.83.970
800	815	100	420.83.980

Packing: 1 pair

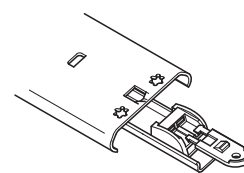
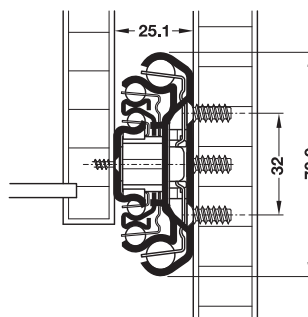
Overextension

Load bearing capacity up to 100 kg



- > Area of application: For full access in hard-to-reach areas
- > Version: With hold-in device for holding in closed position, with lock in closed position (optional)
- > Material: Steel
- > Finish: Galvanized
- > Dim.: Max. drawer width = internal cabinet width – 51 mm
- > Installation: At drawer side

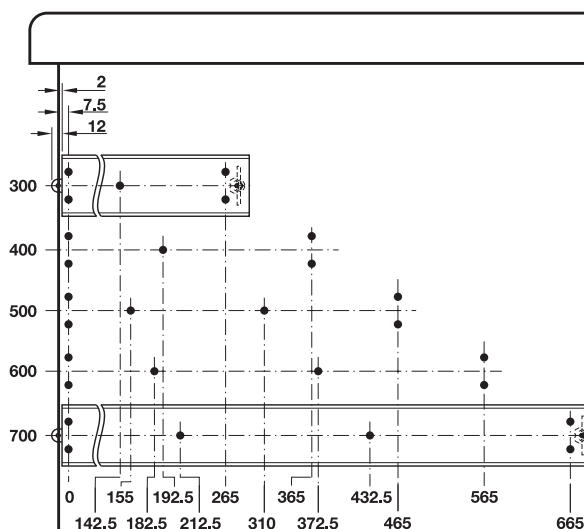
Installation



Insert green plastic component for locking.



Drilling pattern



Supplied with

1 Pair of runners

1 Pair of plastic components for locking

Installation length L mm	Extension length AL mm	Load bearing capacity kg	Cat. No.
300	395	80	432.15.930
400	595	90	432.15.940
500	750	90	432.15.950
600	900	100	432.15.960
700	1050	100	432.15.970

Packing: 1 pair

Full extension

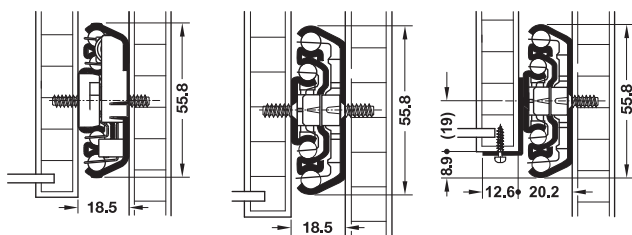
Load bearing capacity up to 129 kg, self closing mechanism or hold-in device for holding in closed position



Fig. shows side mounted version

- > Material: Steel
- > Finish: Galvanized
- > Installation: At drawer, side mounted or surface mounted

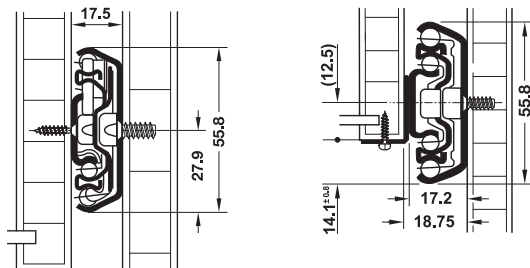
Installation



With self closing and soft closing mechanisms, max. drawer width = internal cabinet width – 38 mm

With self closing mechanism, side mounted, max. drawer width = internal cabinet width – 38 mm

With self closing mechanism, surface mounted, max. drawer width = internal cabinet width – 41.5 mm

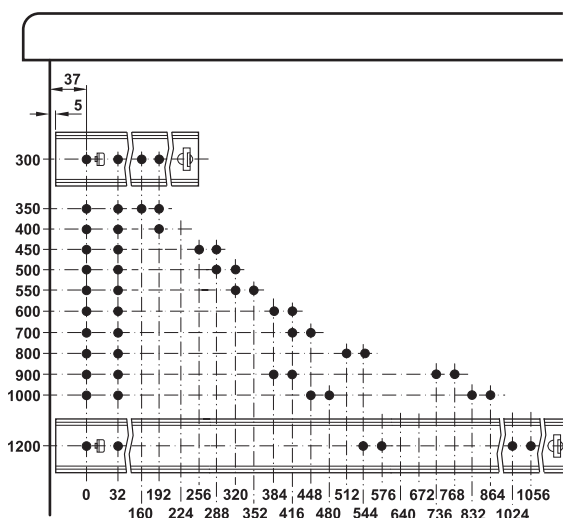


With hold-in device for holding in closed position, side mounted, max. drawer width = internal cabinet width – 36 mm

With hold-in device for holding in closed position, surface mounted, max. drawer width = internal cabinet width – 38 mm



Drilling pattern



Installation length L mm	Extension length AL mm	Load bearing capacity kg	Cat. No.
With self closing and soft closing mechanisms, side mounted			
350	336	65	432.04.736
400	401	75	432.04.741
450	451	75	432.04.746
500	506	75	432.04.751
550	555	75	432.04.756
With self closing mechanism, side mounted			
300	285	94	432.04.931
350	350	96	432.04.936
400	400	97	432.04.941
450	450	110	432.04.946
500	500	119	432.04.951
550	550	118	432.04.956
600	600	123	432.04.961
700	700	129	432.04.971
800	800	121	432.04.981

Installation length L mm	Extension length AL mm	Load bearing capacity kg	Cat. No.
With self closing mechanism, surface mounted			
300	285	94	432.05.931
350	350	96	432.05.936
400	400	97	432.05.941
450	450	110	432.05.946
500	500	119	432.05.951
550	550	118	432.05.956
600	600	123	432.05.961
700	700	129	432.05.971
800	800	121	432.05.981

Installation length L mm	Extension length AL mm	Load bearing capacity kg	Cat. No.
With hold-in device for holding in closed position, side mounted			
300	320	94	420.72.831
350	375	96	420.72.836
400	440	97	420.72.841
450	495	110	420.72.846
500	550	119	420.72.851
550	600	118	420.72.856
600	650	123	420.72.861
700	750	129	420.72.871
800	848	121	420.72.881
900	950	105	420.72.891
1000	1050	81	420.72.894
1200	1250	57	420.72.897

Installation length L mm	Extension length AL mm	Load bearing capacity kg	Cat. No.
With hold-in device for holding in closed position, surface mounted			
300	320	94	420.70.931
350	375	96	420.70.936
400	440	97	420.70.941
450	495	110	420.70.946
500	550	119	420.70.951
550	600	118	420.70.956
600	650	123	420.70.961
700	750	129	420.70.971

Packing: 1 pair

Order reference

Special lengths/functions available from 100 pairs on request.

Note

The specified load bearing capacities refer to 10,000 cycles.

Full extension

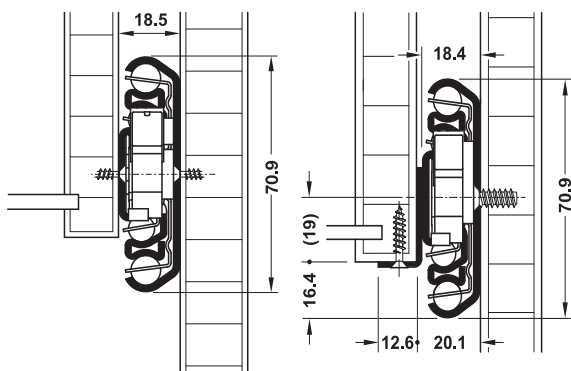
Load bearing capacity up to 230 kg, with self closing mechanism or hold-in device for holding in closed position



Fig. shows side mounted version

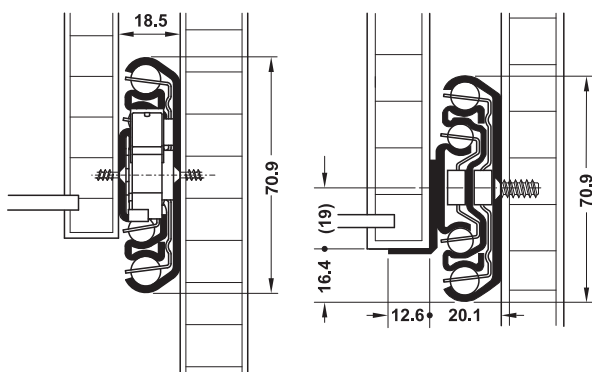
- > Material: Steel
- > Finish: Galvanized
- > Installation: At drawer, side mounted or surface mounted

Installation



With self closing mechanism, side mounted, max. drawer width = internal cabinet width – 38 mm

With self closing mechanism, surface mounted, max. drawer width = internal cabinet width – 41.5 mm

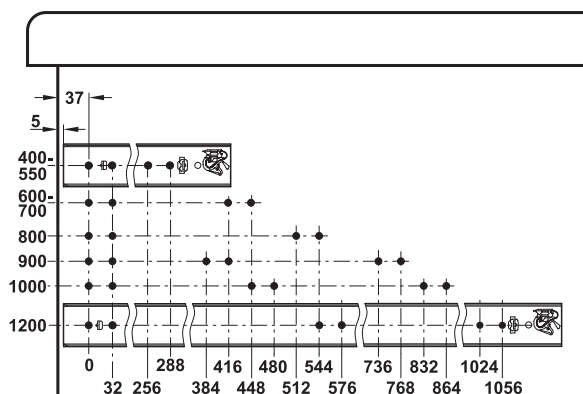


With hold-in device for holding in closed position, side mounted, max. drawer width = internal cabinet width – 38 mm

With hold-in device for holding in closed position, surface mounted, max. drawer width = internal cabinet width – 41.5 mm



Drilling pattern



Installation length L mm	Extension length AL mm	Load bearing capacity kg	Cat. No.
--------------------------	------------------------	--------------------------	----------

With self closing mechanism, side mounted

400	400	170	420.76.941
450	450	190	420.76.946
500	500	212	420.76.951
550	550	230	420.76.956
600	600	230	420.76.961
700	700	228	420.76.971
800	800	219	420.76.981

With self closing mechanism, surface mounted

400	400	170	420.77.941
450	450	190	420.77.946
500	500	212	420.77.951
550	550	230	420.77.956
600	600	230	420.77.961
700	700	228	420.77.971
800	800	219	420.77.981

With hold-in device for holding in closed position, side mounted

400	435	157	420.76.416
450	485	160	420.76.461
500	545	169	420.76.514
550	595	187	420.76.569
600	650	189	420.76.612
700	750	187	420.76.720
800	850	212	420.76.721
900	950	192	420.76.722
1000	1050	179	420.76.723
1200	1250	163	420.76.724

With hold-in device for holding in closed position, surface mounted

400	435	157	420.77.413
450	485	160	420.77.468
500	545	169	420.77.511
550	595	187	420.77.566
600	650	189	420.77.619
700	750	187	420.77.717

Packing: 1 pair

Order reference

Special lengths/functions available from 100 pairs on request.

Note

The specified load bearing capacities refer to 10,000 cycles.