



**METALIKA**  
KOMPONENTE ZA INDUSTRIJO **KACIN**

# Telescopic slides

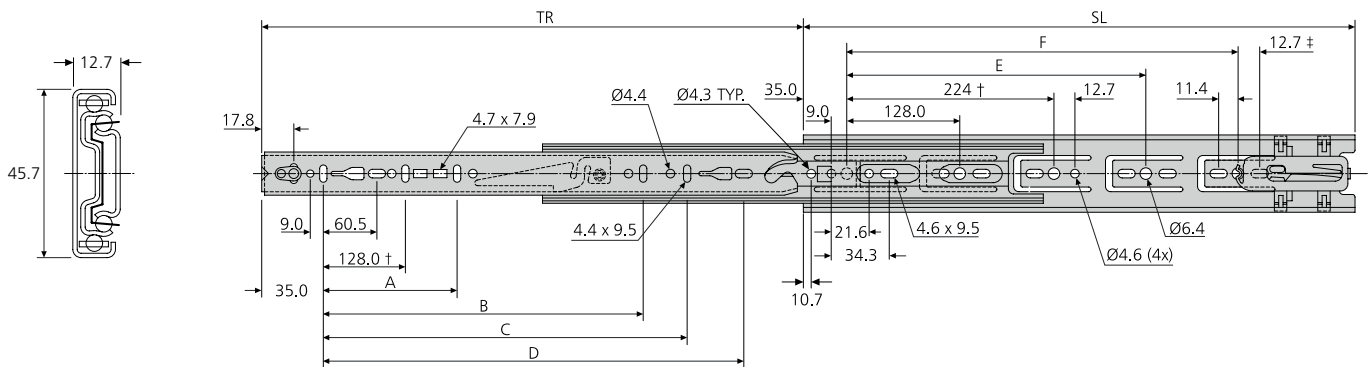
With self-close mechanism

English / German versions

[www.METALIKA-KACIN.com](http://www.METALIKA-KACIN.com)

- Two self-close options
- Closing/opening force –  
 SC: 14 – 27 N per slide  
 HDSC: 27 – 41 N per slide
- Load rating up to 45/50kg per pair
- 100% extension
- 12.7mm slide thickness (14mm with mounting bracket)
- Optional clip-on bracket for bottom and platform mounting
- Front disconnect
- Hold-in
- Cam drawer adjust (3.2mm)
- Not suitable for flat mounting
- Temperature -20°C to +70°C
- DZ - 12 hours salt spray test
- DB - 96 hours salt spray test

- 2 Selbsteinzugs-Varianten
- Schließ/Öffnungs-Kraft  
 SC: 14 – 27 N pro Schiene  
 HDSC: 27 – 41 N pro Schiene
- Lastwert bis 45/50kg pro paar
- Vollauszug
- 12,7mm Schienendicke (14mm mit Montagewinkel)
- Optionaler Aufsteckwinkel für Boden- bzw. Plattformmontage
- Frontschnelltrennung
- Rastung in geschlossener Position
- Einstellnocken für Schublade (3,2mm)
- Nicht für Flachmontage geeignet
- Temperatur -20°C bis +70°C
- DZ - 12 Stunden Salzsprühtest
- DB - 96 Stunden Salzsprühtest

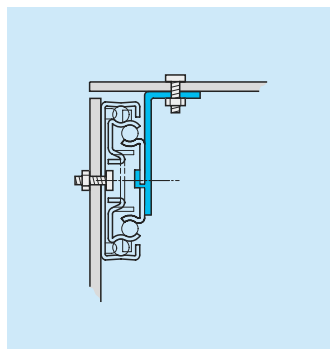
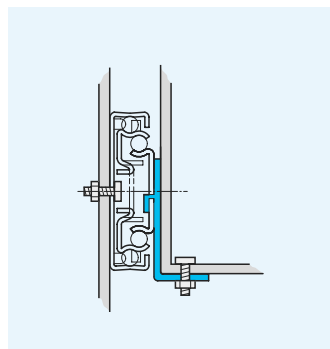


† Hole not available for 3832-0030SC/HDSC  
 Montageloch nicht bei 3832-0030SC/HDSC

‡ Hole not available for 3832-0040SC/HDSC & 3832-0050SC/HDSC  
 Montageloch nicht bei 3832-0040SC/ HDSC & 3832-0050SC/HDSC

3832SC/ 3832HDSC	mm								kg		
	SL	TR	A	B	C	D	E	F	W	L 10,000	L 80,000
*3832-0030SC	300	286	-	-	-	231	-	-	0.90	48	42
DZ3832-0030HDSC	300	286	-	-	-	231	-	-	0.90	48	42
*3832-0035SC	350	356	-	-	-	281	-	-	1.04	49	43
DZ3832-0035HDSC	350	356	-	-	-	281	-	-	1.04	49	43
*3832-0040SC	400	406	-	-	-	331	288	-	1.20	50	44
DZ3832-0040HDSC	400	406	-	-	-	331	288	-	1.20	50	44
*3832-0045SC	450	457	-	320	-	381	320	-	1.33	50	45
DZ3832-0045HDSC	450	457	-	320	-	381	320	-	1.33	50	45
*3832-0050SC	500	508	-	-	-	432	384	-	1.50	50	45
DZ3832-0050HDSC	500	508	-	-	-	432	384	-	1.50	50	45
*3832-0055SC	550	559	-	416	-	481	416	-	1.67	50	45
DZ3832-0055HDSC	550	559	-	416	-	481	416	-	1.67	50	45
*3832-0060SC	600	610	224	416	-	531	352	480	1.82	50	45
DZ3832-0060HDSC	600	610	224	416	-	531	352	480	1.82	50	45
*3832-0065SC	650	660	224	416	544	581	352	512	1.96	49	44
DZ3832-0065HDSC	650	660	224	416	544	581	352	512	1.96	49	44

\* 3832SC only prefix DZ for bright zinc plate, DB for black zinc plate, DW for white electro-plate  
 Nur bei 3832SC, Präfix DZ für helle Oberfläche, DB für schwarze Oberfläche, DW für weiße Oberfläche



## Notes:

- Fixing recommendation: M4 screw/4mm wood screw/6mm Euro screw
- Max. head. ht. 2.5mm/Ø9.6mm
- For optional clip-on brackets, refer to 633xx in "Mounting kits and accessories" section. Not 3832-0030SC/HDSC
- Vertical (side) mounting only
- Drawer width should not exceed slide length
- DW3832SC – Load rating up to 45kg
- Not for lateral file drawer applications or where the drawer is wider than it is deep
- Load ratings quoted are the maximum for a pair of side mounted slides installed 450mm apart, unless otherwise stated. For more information, refer to "How to select a slide" section

## Hinweise:

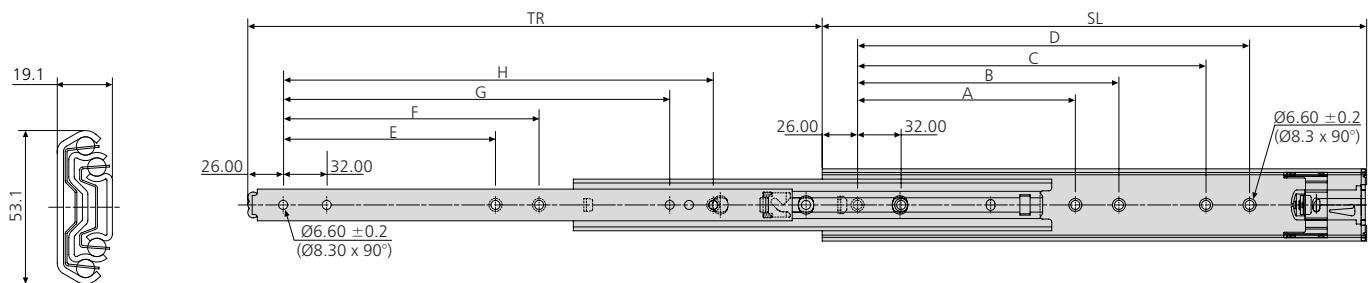
- Empfohlene Befestigung: Schraube M4/ Holzschraube 4mm/Euro-Schraube 6mm
- Max. Kopfhöhe 2,5mm/Ø9,6mm
- Optionale Aufsteckwinkel siehe 633xx in Abschnitt 'Montage-Kits und Zubehör'. Nicht für 3832-0030SC/HDSC
- Nur Vertikalmontage
- Schubbreite sollte nicht grosser als die Schienenlänge sein
- DW3832SC – Lastwert bis 45kg
- Nicht für Aktenauszüge oder wo der Schub breiter als seine Tiefe ist
- Falls nicht anders angegeben, sind die genannten Tragkräfte die maximal erreichbaren, bei einem Paar seitlich montierten Führungen mit 450mm Schienenabstand. Weitere Information siehe Abschnitt 'Schienen-Auswahl'

- Self close
- Load rating up to 120kg per pair
- 100%+ extension
- 19.1mm slide thickness
- Hold-in
- Optional enclosure mounting brackets
- Not suitable for flat mounting
- Temperature -20°C to +70°C
- DZ - 12 hours salt spray test

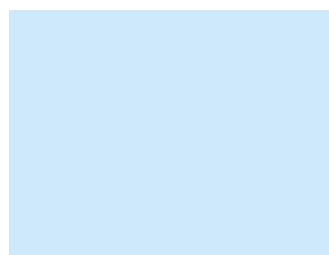
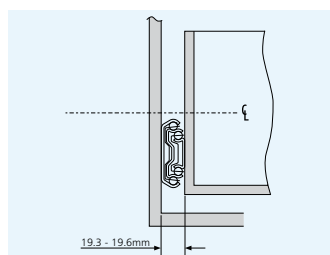
- Selbsteinzug
- Lastwert bis 120kg pro paar
- Überauszug
- 19,1mm Schienendicke
- Einhalterung – in geschlossener Position
- Optionale Gehäuse-Montagewinkel
- Nicht für Flachmontage geeignet
- Temperatur -20°C bis +70°C
- DZ - 12 Stunden Salzsprühtest



10,000



5321SC	mm										kg	
	SL	TR	A	B	C	D	E	F	G	H	W	L
DZ5321-0030SC	300	319	-	-	160	192	-	-	192	224	1.64	85
DZ5321-0035SC	350	369	-	-	224	256	-	-	224	256	1.96	90
DZ5321-0040SC	400	419	160	192	256	288	160	192	288	320	2.25	100
DZ5321-0045SC	450	469	192	224	320	352	192	224	352	384	2.57	110
DZ5321-0050SC	500	519	224	256	352	384	224	256	384	416	2.87	120
DZ5321-0055SC	550	569	224	256	416	448	224	256	448	480	3.17	110
DZ5321-0060SC	600	619	256	288	480	512	256	288	480	512	3.48	100
DZ5321-0070SC	700	719	320	352	544	576	320	352	576	608	4.10	70
DZ5321-0080SC	790	823	352	384	640	672	352	384	672	704	4.64	50



## Notes:

- Fixing recommendation: M5 countersunk/ 6mm countersunk Euro screw
- Vertical (side) mounting only
- For enclosure mounting brackets see DZ65490-4
- Load ratings quoted are the maximum for a pair of side mounted slides installed 450mm apart, unless otherwise stated. For more information, refer to "How to select a slide" section

## Hinweise:

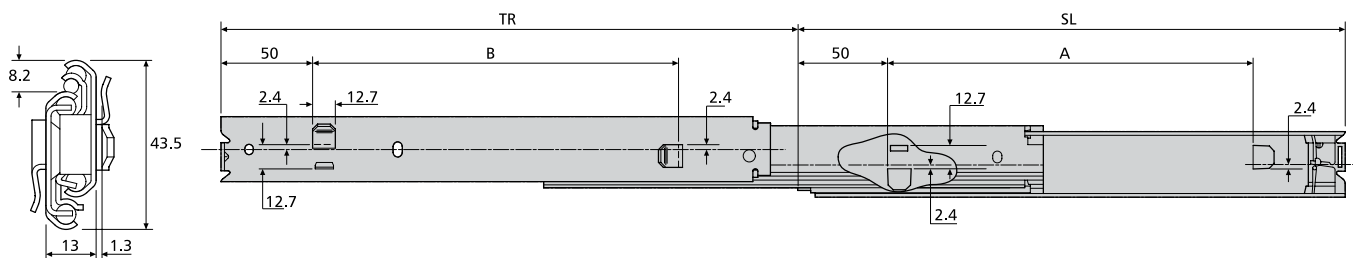
- Empfohlene Befestigung: M5 Senkkopfschraube/ Euro-Senkkopfschraube 6mm
- Nur Vertikalmontage
- Für Gehäusemontagewinkel siehe DZ65490-4
- Falls nicht anders angegeben, sind die genannten Tragkräfte die maximal erreichbaren, bei einem Paar seitlich montierten Führungen mit 450mm Schienenabstand. Weitere Information siehe Abschnitt „Schienen-Auswahl“

- Self-close (lengths 500-700mm)
- Load rating up to 45kg per pair
- 100%+ extension
- 13mm slide thickness
- Hold-in
- Bayonet mounting
- Not suitable for flat mounting
- Temperature -20°C to +70°C
- DZ - 12 hours salt spray test

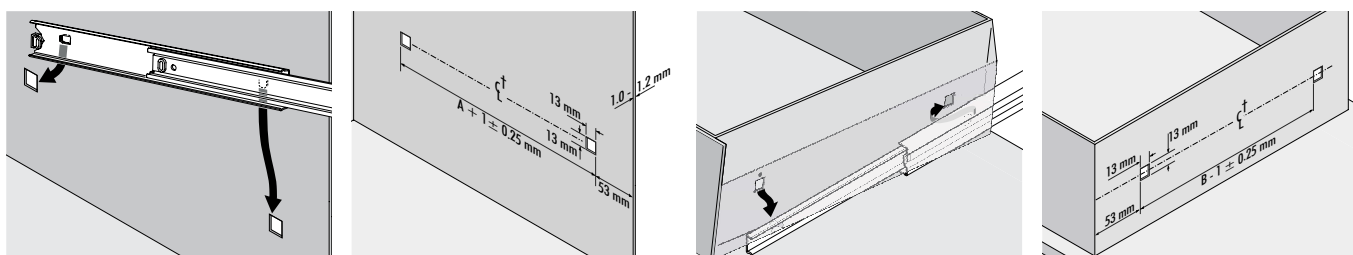
80,000

**Notes:**

- Self-close is only available on lengths 500-700mm
- Bayonet mounting for metal cabinets and chassis walls of between 1.0-1.2mm thickness
- Vertical (side) mounting only
- Load ratings quoted are the maximum for a pair of side mounted slides installed 450mm apart, unless otherwise stated. For more information, refer to "How to select a slide" section



7400-50	mm				kg	
	SL	TR	A	B	W	L
DZ7400-5030-2	300	314	200	200	1.01	40
DZ7400-5035-2	350	364	250	250	1.18	41
DZ7400-5040-2	400	414	300	300	1.36	42
DZ7400-5045-2	450	464	350	350	1.53	45
DZ7400-5050SC-2	500	512.5	325	325	1.59	45
DZ7400-5055SC-2	550	562.5	375	375	1.85	43
DZ7400-5060SC-2	600	612.5	425	425	1.93	41
DZ7400-5065SC-2	650	662.5	475	475	2.20	39
DZ7400-5070SC-2	700	712.5	525	525	2.29	38





### Full extension

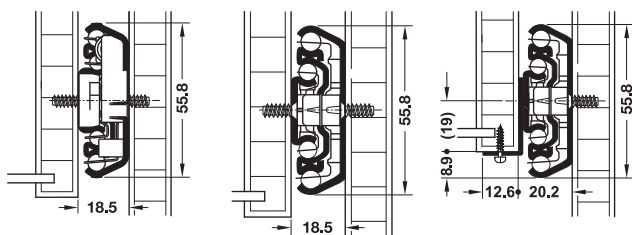
Load bearing capacity up to 129 kg, self closing mechanism or hold-in device for holding in closed position



Fig. shows side mounted version

- > Material: Steel
- > Finish: Galvanized
- > Installation: At drawer, side mounted or surface mounted

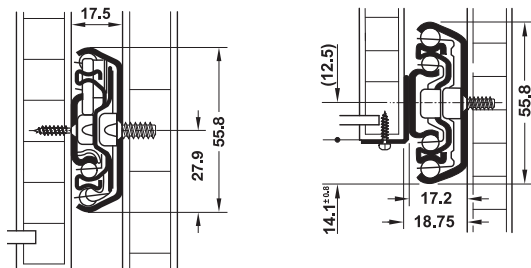
### Installation



With self closing and soft closing mechanisms, max. drawer width = internal cabinet width – 38 mm

With self closing mechanism, side mounted, max. drawer width = internal cabinet width – 38 mm

With self closing mechanism, surface mounted, max. drawer width = internal cabinet width – 41.5 mm

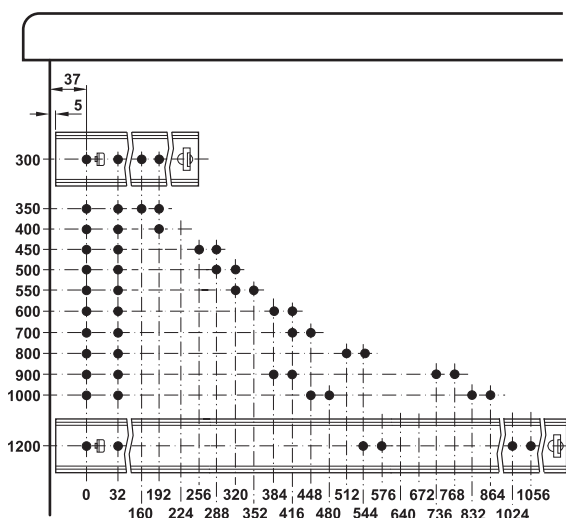


With hold-in device for holding in closed position, side mounted, max. drawer width = internal cabinet width – 36 mm

With hold-in device for holding in closed position, surface mounted, max. drawer width = internal cabinet width – 38 mm



### Drilling pattern



Installation length L mm	Extension length AL mm	Load bearing capacity kg	Cat. No.
<b>With self closing and soft closing mechanisms, side mounted</b>			
350	336	65	432.04.736
400	401	75	432.04.741
450	451	75	432.04.746
500	506	75	432.04.751
550	555	75	432.04.756
<b>With self closing mechanism, side mounted</b>			
300	285	94	432.04.931
350	350	96	432.04.936
400	400	97	432.04.941
450	450	110	432.04.946
500	500	119	432.04.951
550	550	118	432.04.956
600	600	123	432.04.961
700	700	129	432.04.971
800	800	121	432.04.981

Installation length L mm	Extension length AL mm	Load bearing capacity kg	Cat. No.
<b>With self closing mechanism, surface mounted</b>			
300	285	94	432.05.931
350	350	96	432.05.936
400	400	97	432.05.941
450	450	110	432.05.946
500	500	119	432.05.951
550	550	118	432.05.956
600	600	123	432.05.961
700	700	129	432.05.971
800	800	121	432.05.981

Installation length L mm	Extension length AL mm	Load bearing capacity kg	Cat. No.
<b>With hold-in device for holding in closed position, side mounted</b>			
300	320	94	420.72.831
350	375	96	420.72.836
400	440	97	420.72.841
450	495	110	420.72.846
500	550	119	420.72.851
550	600	118	420.72.856
600	650	123	420.72.861
700	750	129	420.72.871
800	848	121	420.72.881
900	950	105	420.72.891
1000	1050	81	420.72.894
1200	1250	57	420.72.897

Installation length L mm	Extension length AL mm	Load bearing capacity kg	Cat. No.
<b>With hold-in device for holding in closed position, surface mounted</b>			
300	320	94	420.70.931
350	375	96	420.70.936
400	440	97	420.70.941
450	495	110	420.70.946
500	550	119	420.70.951
550	600	118	420.70.956
600	650	123	420.70.961
700	750	129	420.70.971

Packing: 1 pair

### Order reference

Special lengths/functions available from 100 pairs on request.

### Note

The specified load bearing capacities refer to 10,000 cycles.

### Full extension

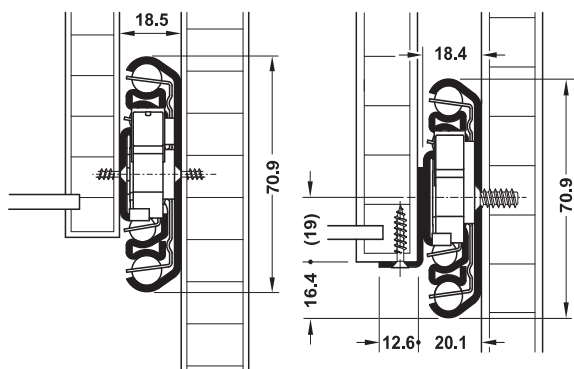
Load bearing capacity up to 230 kg, with self closing mechanism or hold-in device for holding in closed position



Fig. shows side mounted version

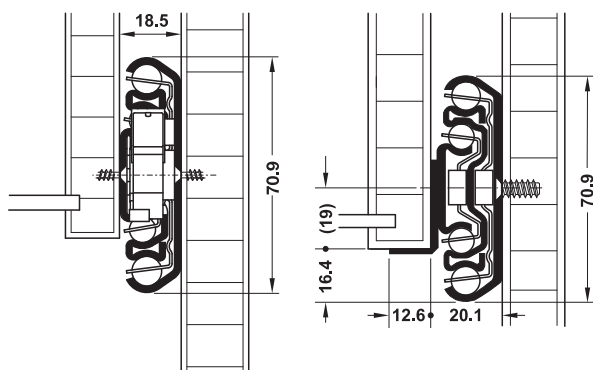
- > Material: Steel
- > Finish: Galvanized
- > Installation: At drawer, side mounted or surface mounted

### Installation



With self closing mechanism, side mounted, max. drawer width = internal cabinet width – 38 mm

With self closing mechanism, surface mounted, max. drawer width = internal cabinet width – 41.5 mm

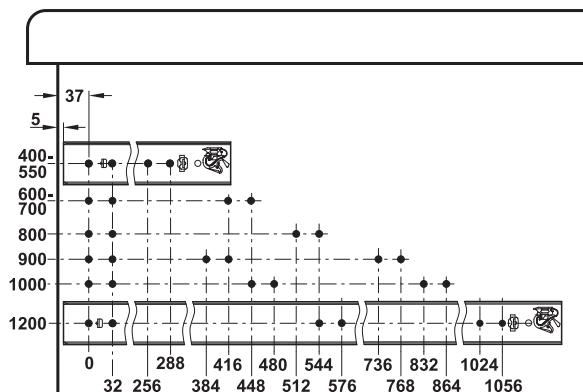


With hold-in device for holding in closed position, side mounted, max. drawer width = internal cabinet width – 38 mm

With hold-in device for holding in closed position, surface mounted, max. drawer width = internal cabinet width – 41.5 mm



### Drilling pattern



Installation length L mm	Extension length AL mm	Load bearing capacity kg	Cat. No.
--------------------------	------------------------	--------------------------	----------

#### With self closing mechanism, side mounted

400	400	170	420.76.941
450	450	190	420.76.946
500	500	212	420.76.951
550	550	230	420.76.956
600	600	230	420.76.961
700	700	228	420.76.971
800	800	219	420.76.981

#### With self closing mechanism, surface mounted

400	400	170	420.77.941
450	450	190	420.77.946
500	500	212	420.77.951
550	550	230	420.77.956
600	600	230	420.77.961
700	700	228	420.77.971
800	800	219	420.77.981

#### With hold-in device for holding in closed position, side mounted

400	435	157	420.76.416
450	485	160	420.76.461
500	545	169	420.76.514
550	595	187	420.76.569
600	650	189	420.76.612
700	750	187	420.76.720
800	850	212	420.76.721
900	950	192	420.76.722
1000	1050	179	420.76.723
1200	1250	163	420.76.724

#### With hold-in device for holding in closed position, surface mounted

400	435	157	420.77.413
450	485	160	420.77.468
500	545	169	420.77.511
550	595	187	420.77.566
600	650	189	420.77.619
700	750	187	420.77.717

Packing: 1 pair

### Order reference

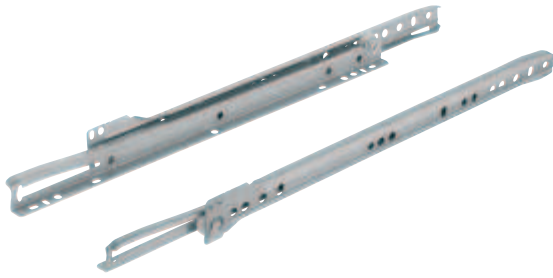
Special lengths/functions available from 100 pairs on request.

### Note

The specified load bearing capacities refer to 10,000 cycles.

**Single extension**

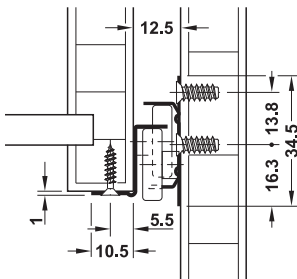
Load bearing capacity up to 20 kg



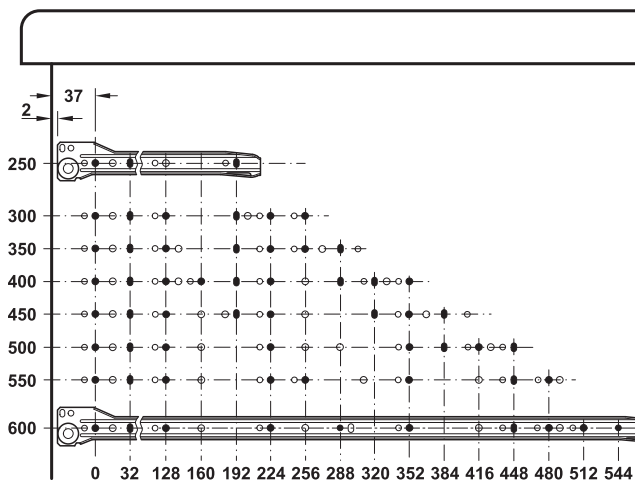
- > Version: Type of closing: Self closing, bearing: 4 friction bearing mounted polyamide rollers
- > Adjustment facility: Height adjustment via slotted holes in cabinet runner
- > Material: Steel
- > Finish/colour: Powder coated, white, RAL 9003, white aluminium, similar to, RAL 9006
- > Material thickness: 0.85 or 1 mm
- > Dim.: Max. drawer width = internal cabinet width – 25 mm
- > Installation: At drawer, surface mounted
- > Side stability provided by automatic guidance on the right hand side



**Installation**



**Drilling pattern**



Installation length L mm	Extension length AL mm
250	165
300	215
350	265
400	305
450	355
500	405
550	435
600	485

Installation length L mm	Packing pairs	Load bearing capacity kg	White, RAL 9003 0.85 mm	White aluminium, RAL 9006 0.85 mm
250	1 or 20	15	431.16.700	431.16.200
300	1 or 20	15	431.16.701	431.16.201
350	1 or 20	15	431.16.702	431.16.202
400	1 or 20	15	431.16.703	431.16.203
450	1 or 20	15	431.16.704	431.16.204
500	1 or 10	15	431.16.705	431.16.205
550	1 or 10	12	431.16.706	431.16.206
600	1 or 10	12	431.16.707	431.16.207

Installation length L mm	Packing pairs	Load bearing capacity kg	White, RAL 9003 1 mm	White aluminium, RAL 9006 1 mm
250	1 or 20	20	431.16.710	431.16.210
300	1 or 20	20	431.16.711	431.16.211
350	1 or 20	20	431.16.712	431.16.212
400	1 or 20	20	431.16.713	431.16.213
450	1 or 20	20	431.16.714	431.16.214
500	1 or 10	20	431.16.715	431.16.215
550	1 or 10	17	431.16.716	431.16.216
600	1 or 10	17	431.16.717	431.16.217





**Single extension**

Load bearing capacity up to 35 kg

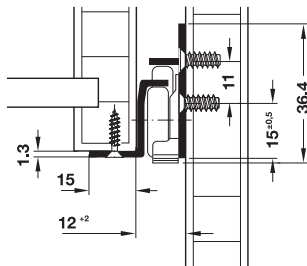


- > Version: Self-closing, double corrugation in drawer profile fixes the drawer in extended position, excellent side stability provided by automatic guidance (left) and specially designed profiles, guided by: 4 polyamid rollers with slide bearings
- > Adjustment facility: Height adjustment via slots in cabinet runner with width compensation 2 mm right
- > Material: Steel
- > Finish/colour: Powder coated, white, RAL 9010
- > Dim.: Max. drawer width = internal cabinet width – 25 mm
- > Installation: At drawer, surface mounted, dual holes in cabinet runner allow offset installation to thin intermediate panels

**Note**

Can be replaced by full extension at intervals of 32 mm.

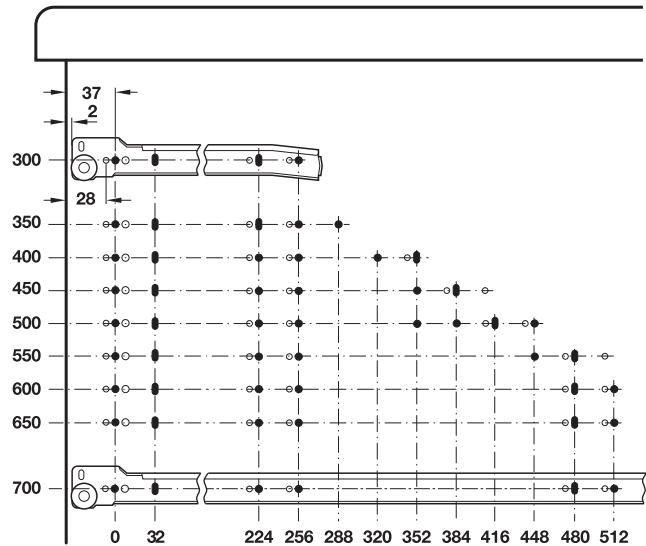
**Installation**



Load bearing capacity up to 35 kg



**Drilling pattern**



Installation length L mm	Extension length AL mm	Cat. No.
300	215	421.80.930
350	265	421.80.935
400	300	421.80.940
450	350	421.80.945
500	400	421.80.950
550	430	421.80.955
600	480	421.80.960
650	530	421.80.965
700	560	421.80.970

Packing: 1 or 20 pieces

### Full extension

Load bearing capacity 50 kg

Extremely low noise generation provided by particularly accurate guidance and integrated buffer

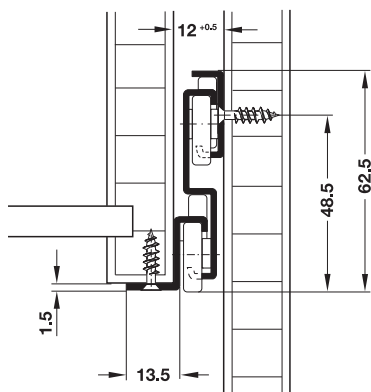


- > Version: Self closing, excellent side stability provided by , automatic guidance on both sides and specially designed, profiles, intermediate rail with stay closed feature, with soft close and catch to prevent unintended, removal, guided by: 2 silent moving rollers, 6 friction bearing mounted polyamide rollers
- > Material: Steel
- > Finish/colour: Powder coated, white, RAL 9010
- > Dim.: Max. drawer width = internal cabinet width – 25 mm
- > Installation: At drawer, surface mounted

#### Note

Can be replaced by single extension at 32 mm intervals.

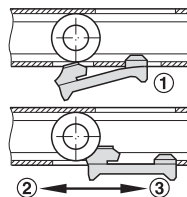
#### Installation



#### Drawer installation

- > Pull out intermediate rails as far as the position of the stay closed feature
- > Lift drawer rail rollers above intermediate rail rollers
- > Slide in runners as far as the stop

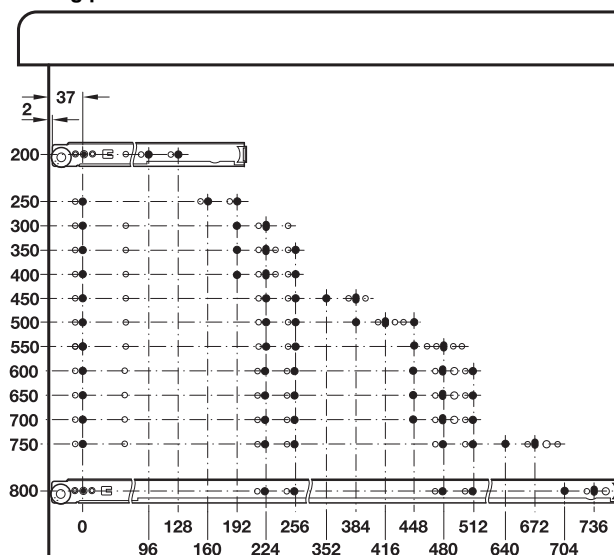
### With soft close and hook-off protection device to prevent unintended removal



Check hook-off protection device before removing drawer.

- ① Extended position
- ② Open
- ③ Close

#### Drilling pattern



Installation length L mm	Extension length AL mm	Cat. No.
200	200	423.46.721
250	250	423.46.726
300	320	423.46.731
350	370	423.46.736
400	420	423.46.741
450	470	423.46.746
500	550	423.46.751
550	570	423.46.756
600	620	423.46.761
650	670	423.46.766
700	750	423.46.771
750	770	423.46.776
800	820	423.46.781

Packing: 1 pair

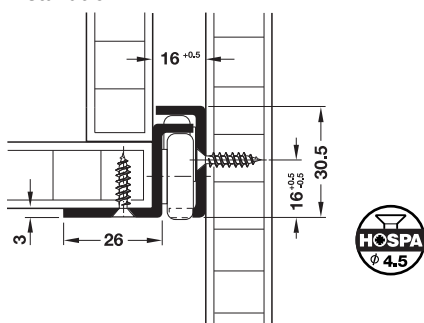
### Single extension

Load bearing capacity up to 100 kg

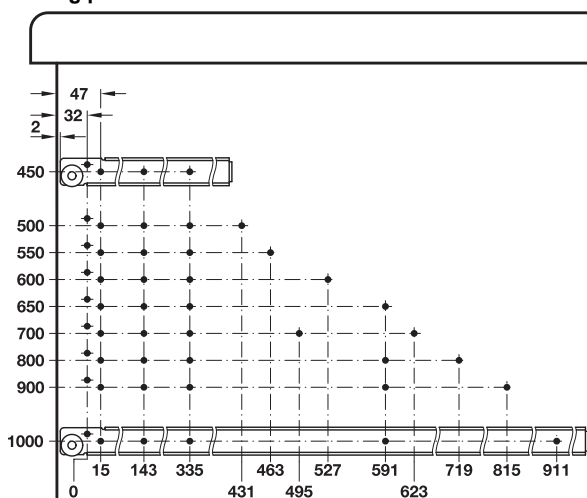


- > Version: With stay closed feature for holding in closed position and steel return stop, guided by: 4 ball bearing mounted steel rollers
- > Material: Steel
- > Finish: Galvanized
- > Dim.: Max. drawer width = internal cabinet width – 32 mm
- > Installation: At drawer, surface mounted

#### Installation



#### Drilling pattern



Installation length L mm	Extension length AL mm	Cat. No.
450	345	421.08.458
500	395	421.08.501
550	445	421.08.556
600	495	421.08.609
650	545	421.08.654
700	565	421.08.707
800	655	421.08.805
900	745	421.08.903
1000	835	421.08.109

Packing: 1 pair

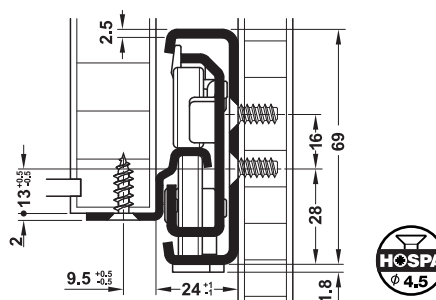
### Full extension

Load bearing capacity up to 200 kg

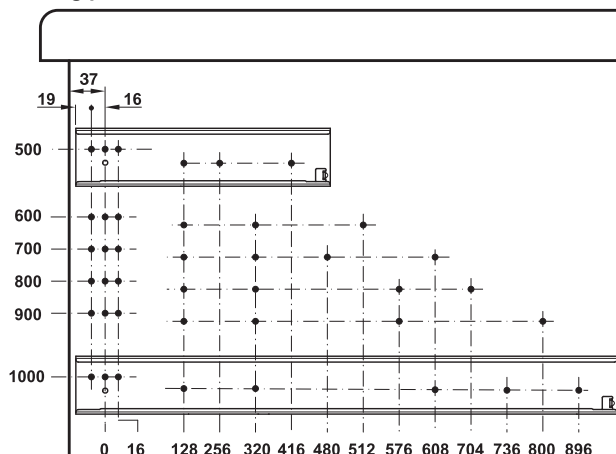


- > Version: Self-closing, excellent side stability provided by automatic guidance on both sides and special design of centre profile and guide rollers, optimum running properties provided by an integrated progressive drive, hook-off protection integrated in centre rail, guided by: 6 friction bearing mounted plastic rollers
- > Material: Runners: Steel, rollers: Plastic (POM)
- > Finish/colour: Runner: Galvanized, rollers: White
- > Dim.: Max. drawer width = internal cabinet width – 48 mm
- > Installation: At drawer, surface mounted

#### Installation



#### Drilling pattern



Installation length L mm	Extension length AL mm	Cat. No.
500	485	421.76.951
600	585	421.76.961
700	685	421.76.971
800	785	421.76.981
900	885	421.76.991
1000	985	421.76.996

Packing: 1 pair

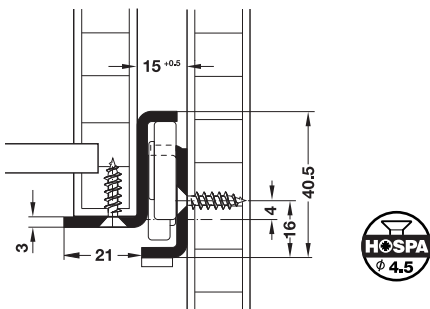
### Single extension

Load bearing capacity up to 100 kg



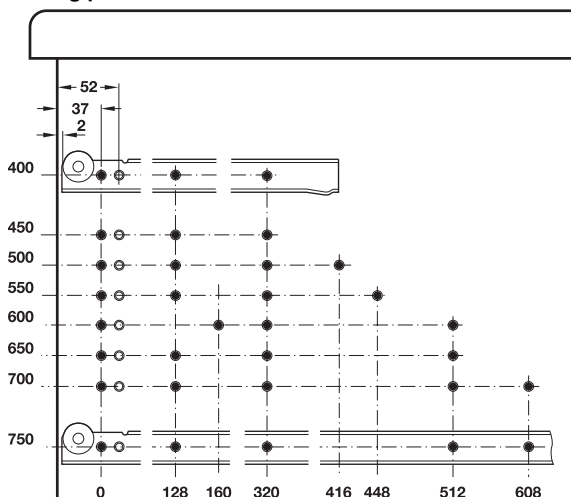
- > Area of application: For potentially corrosive environments
- > Version: Self closing, excellent side stability provided by specially designed profiles, with stay closed feature for holding in closed position and stainless steel return stop, guided by: Chrome steel ball bearings with integrated polyamide glide ring, quality 1.4509
- > Material: Stainless steel, quality 1.4509
- > Installation: At drawer, surface mounted

#### Installation



#### Drilling pattern

Roller Runners



Installation length L mm	Extension length AL mm	Cat. No.
400	294	423.62.040
450	344	423.62.045
500	394	423.62.050
550	444	423.62.055
600	494	423.62.060
650	544	423.62.065
700	584	423.62.070
750	634	423.62.075

Packing: 1 pair

#### Order reference

Available also as heat resistant version on request.

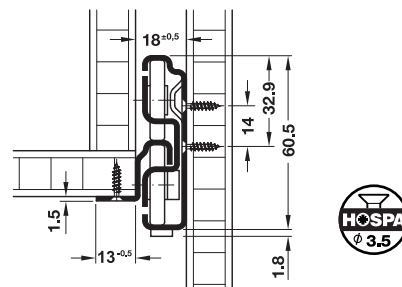
### Full extension

Load bearing capacity up to 68 kg,  
with progressive control

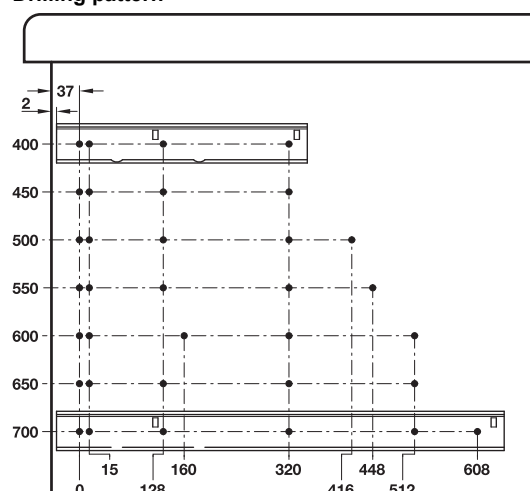


- > Area of application: For potentially corrosive environments
- > Version: Self closing, excellent side stability provided by automatic guidance on both sides and specially designed profiles, with integrated progressive drive, guided by: 8 friction bearing mounted plastic rollers (POM)
- > Material: Stainless steel, quality 1.4509
- > Dim.: Max. drawer width = internal cabinet width – 37 mm
- > Installation: At drawer, surface mounted

#### Installation



#### Drilling pattern



Installation length L mm	Extension length AL mm	Cat. No.
400	385	423.64.140
450	435	423.64.145
500	485	423.64.150
550	535	423.64.155
600	585	423.64.160
650	635	423.64.165
700	685	423.64.170

Packing: 1 pair

#### Order reference

Available as heat resistant version and/or overextension on request.

### Single extension

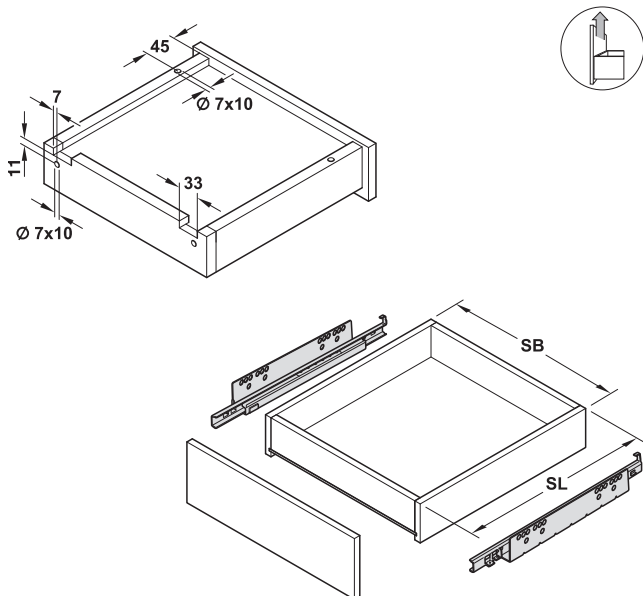
Load bearing capacity up to 25 kg,  
installation with pins, with self closing mechanism,  
soft and self closing mechanism or Push



- > Adjustment facility: Max. height adjustment +3 mm
- > Material: Steel
- > Finish: Galvanized
- > Dim.: Max. drawer width SB = internal cabinet width – 40 mm + 2 x drawer side thickness
- > Soft closing with air dampers

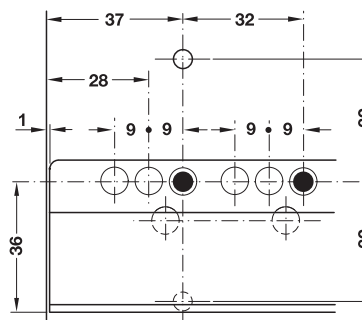
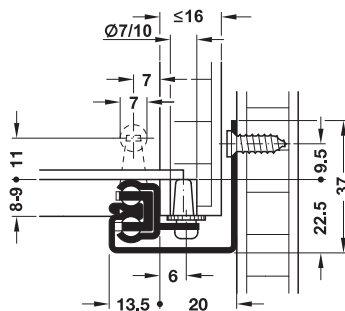
#### Note

The single extension runners can be replaced by full extension runners with load bearing capacity of up to 30 kg and with pin installation.

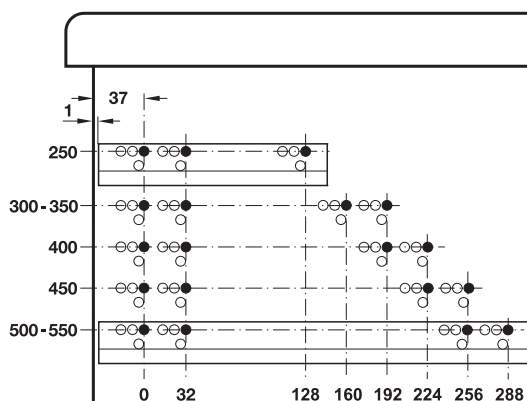


Concealed Runners

### Installation



### Drilling pattern



Installation length L mm	Drawer length SL mm	With self closing mechanism	With soft and self closing mechanism	With Push, without self closing and soft closing mechanisms
252	250	421.14.925	421.14.725	421.14.825
302	300	421.14.930	421.14.730	421.14.830
327	325	421.14.932	421.14.732	421.14.832
352	350	421.14.935	421.14.735	421.14.835
402	400	421.14.940	421.14.740	421.14.840
452	450	421.14.945	421.14.745	421.14.845
502	500	421.14.950	421.14.750	421.14.850
552	550	421.14.955	421.14.755	421.14.855

Packing: 1 or 10 pairs



### Full extension

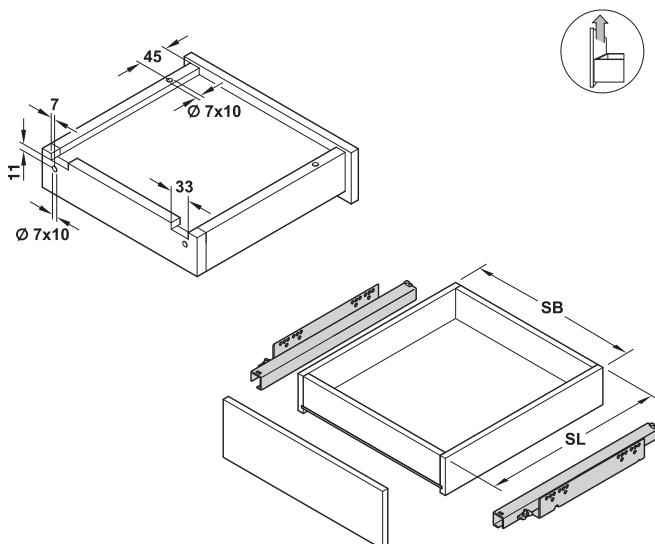
Load bearing capacity up to 30 kg,  
 installaton with pins, with self closing mechanism,  
 soft and self closing mechanism or Push



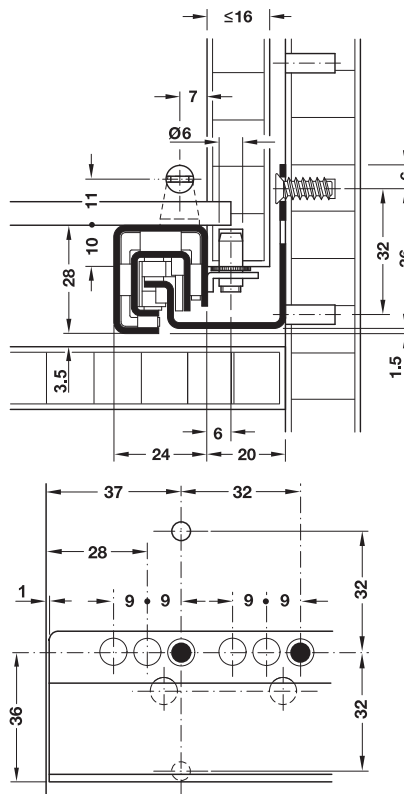
- > Material: Steel
- > Finish: Pre-galvanized
- > Dim.: Max. drawer width SB = internal cabinet width – 40 mm + 2 x drawer side thickness, front gap 0 mm (3 mm with Push)
- > Soft closing with air dampers

#### Note

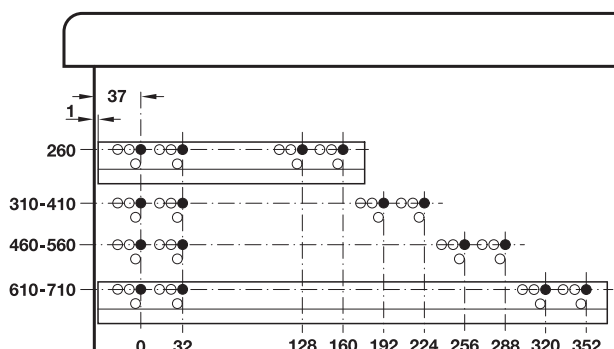
The full extension runners can be replaced by single extension runners with load bearing capacity of up to 30 kg and with pin installation.



### Installation



### Drilling pattern



Installation length L mm	Drawer length SL mm	With self closing mechanism	With soft and self closing mechanism	With Push, without self closing and soft closing mechanisms
260	250	423.57.926	423.57.526	423.57.426
310	300	423.57.931	423.57.531	423.57.431
360	350	423.57.936	423.57.536	423.57.436
410	400	423.57.941	423.57.541	423.57.441
460	450	423.57.946	423.57.546	423.57.446
510	500	423.57.951	423.57.551	423.57.451
560	550	423.57.956	423.57.556	423.57.456
610	600	423.57.961	423.57.561	423.57.461
660	650	423.57.966	423.57.566	423.57.466
710	700	423.57.971	423.57.571	423.57.471

Packing: 1 or 5 pairs

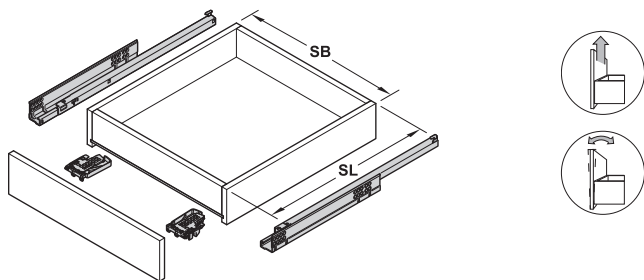
Concealed Runners

**Blum Tandem 550 H, single extension**

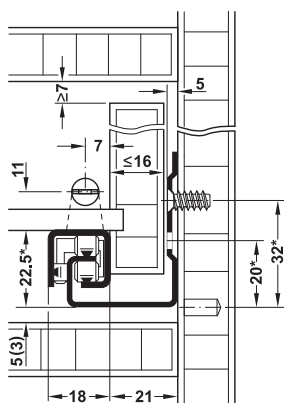
Load bearing capacity up to 30 kg,  
with self closing mechanism,  
with or without Blumotion soft and self closing  
mechanism



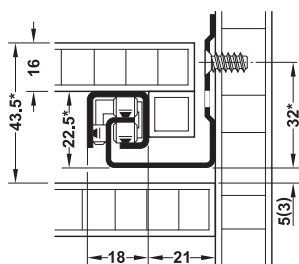
- > Adjustment facility: Max. tilting angle adjustment +5.3 mm, max. height adjustment +3 mm at snap-in coupling
- > Material: Steel
- > Finish: Pre-galvanized
- > Dim.: Max. drawer width SB = internal cabinet width – 42 mm + 2 x drawer side thickness, tolerance specification: Width +0 mm, –1.5 mm, depth ±2 mm, front gap 0 mm



**Installation**



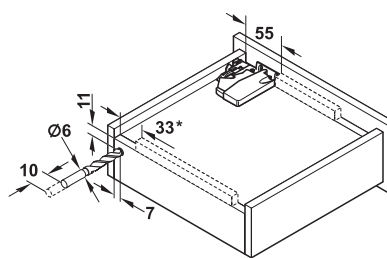
\*+1 mm with Tip-On,  
+2 mm with Blumotion,  
+3 mm with side stabilisation set  
Drawers and pull outs



**Shelves**

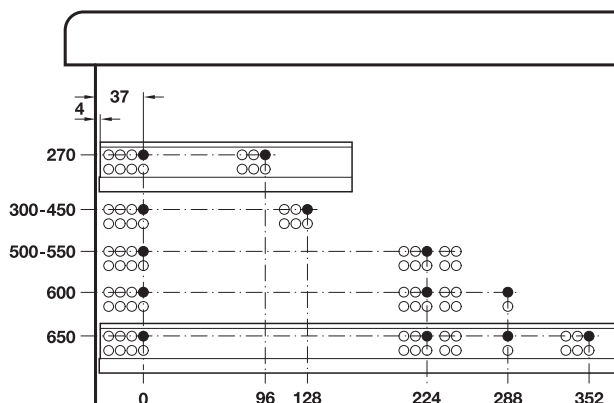
Values in brackets apply to Blumotion soft and self closing mechanism

Drawers and pull outs



\*Tip-On 85 mm  
Runners and snap-in coupling

**Drilling pattern**



**Note**

Min. installation length with front drawers = nominal length + 3 mm,  
with side stabilisation set: Nominal length + 15 mm

**Supplied with**

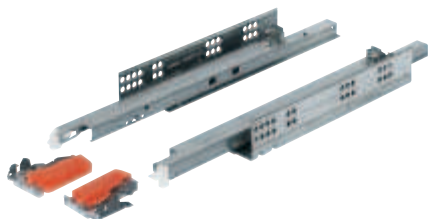
- 1 Pair of drawer runners
- 1 Pair of snap-in couplings

Nom. length mm	Drawer length SL mm	With Blumatic self closing mechanism, suitable for Tip-On	With Blumotion soft and self closing mechanism, not suitable for Tip-On
270	260	423.53.275	423.53.727
300	290	423.53.300	423.53.730
350	340	423.53.355	423.53.735
400	390	423.53.408	423.53.740
450	440	423.53.453	423.53.745
500	490	423.53.506	423.53.750
550	540	423.53.551	423.53.755
600	590	423.53.604	–
650	640	423.53.659	–

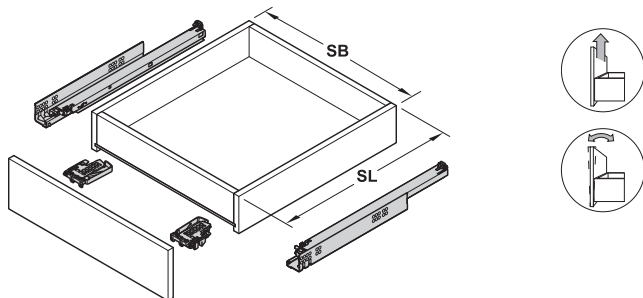
Packing: 1 pair

**Blum Tandem 560 H and 566 H, full extension**

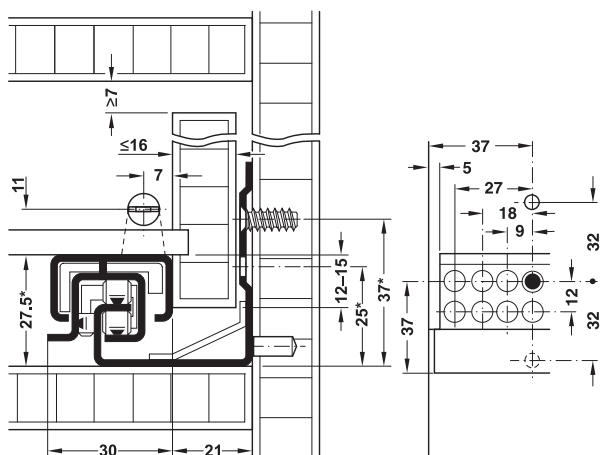
Load bearing capacity up to 50 kg, with self closing mechanism, with or without Blumotion soft and self closing mechanism



- > Adjustment facility: Max. tilting angle adjustment +5.3 mm, max. height adjustment +3 mm at snap-in coupling
- > Material: Steel
- > Finish: Pre-galvanized
- > Dim.: Max. drawer width SB = internal cabinet width - 42 mm + 2 x drawer side thickness, tolerance specification: Width +0 mm, -1.5 mm, depth ±2 mm, front gap 0 mm

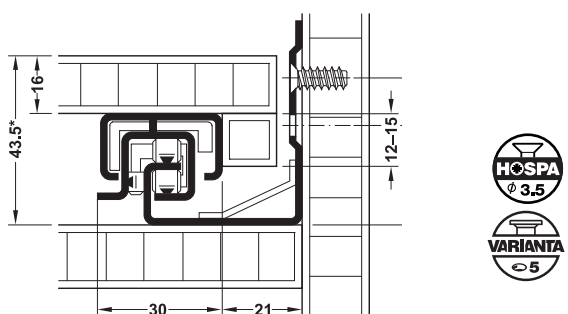


**Installation**

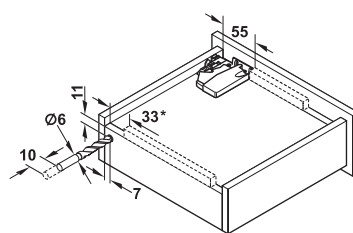


Drawers and pull outs

\*+1 mm with Tip-On  
+3 mm with side stabilisation set



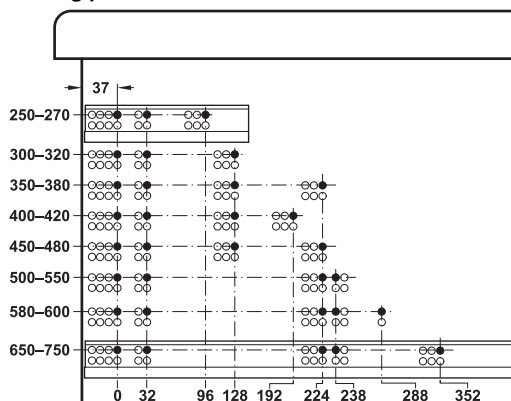
Shelves



\*Tip-On 85 mm

Runners and snap-in coupling

**Drilling pattern**



Tandem 560 H and 566 H, load bearing capacity 30 or 50 kg

**Note**

Min. installation length with front drawers = nominal length + 3 mm, with side stabilisation set + 15 mm

**Supplied with**

- 1 Pair of drawer runners
- 1 Pair of snap-in couplings

Nom. length mm	Drawer length SL mm	With Blumatic self closing mechanism, suitable for Tip-On	With Blumotion soft and self closing mechanism, not suitable for Tip-On
----------------	---------------------	---	---

**Tandem 560 H, load bearing capacity 30 kg**

250	240	423.54.250	423.54.725
270	260	423.54.272	423.54.727
300	290	423.54.307	423.54.730
320	310	423.54.320	423.54.732
350	340	423.54.352	423.54.735
380	370	423.54.380	423.54.738
400	390	423.54.405	423.54.740
420	410	423.54.420	423.54.742
450	440	423.54.450	423.54.745
480	470	423.54.490	423.54.748
500	490	423.54.503	423.54.750
520	510	423.54.520	423.54.752
550	540	423.54.558	423.54.755
600	590	423.54.570	423.54.761

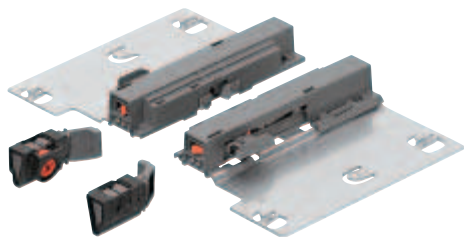
**Tandem 566 H, load bearing capacity 50 kg**

450	440	423.59.945	423.59.745
500	490	423.59.950	423.59.750
520	510	423.59.953	423.59.752
550	540	423.59.955	423.59.755
580	570	423.59.958	423.59.758
600	590	423.59.960	423.59.760
650	640	423.59.965	423.59.765
700	690	423.59.970	423.59.770
750	740	423.59.975	423.59.775

Packing: 1 pair

## Tandem Tip-On Extension mechanism

For Blum Tandem drawer runners  
with Blumatic self closing mechanism

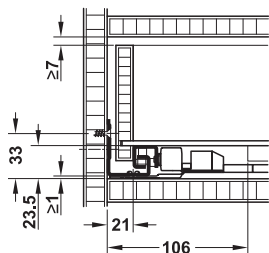


- > Version: Locking and extension mechanism on both sides
- > Material: Support plate: Steel, extension mechanism: Plastic
- > Finish: Support plate: Galvanized
- > Installation: For clipping onto drawer runners, without tools
- > Dim.: Front gap 3.5 mm

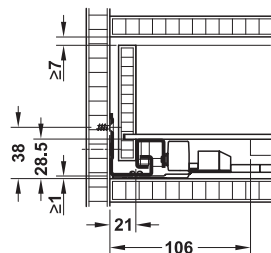
### Note

We recommend the use for front panel widths >600 mm.  
We recommend using the additional synchronising set for Tip-On from front panel widths of 600 mm and above.

### Installation

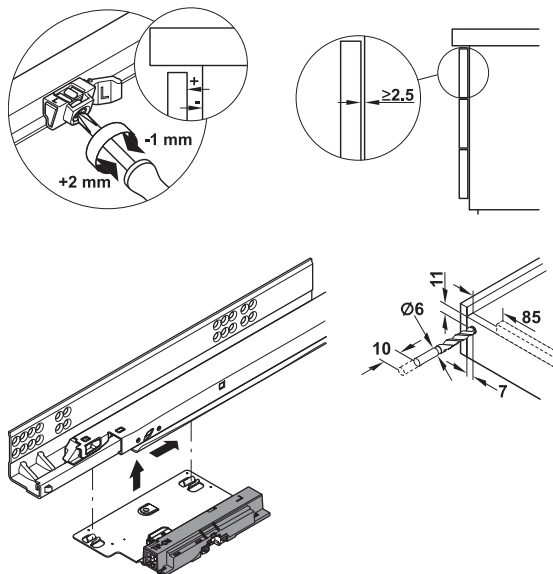


550 H, single extension



560 H and 566 H, full extension

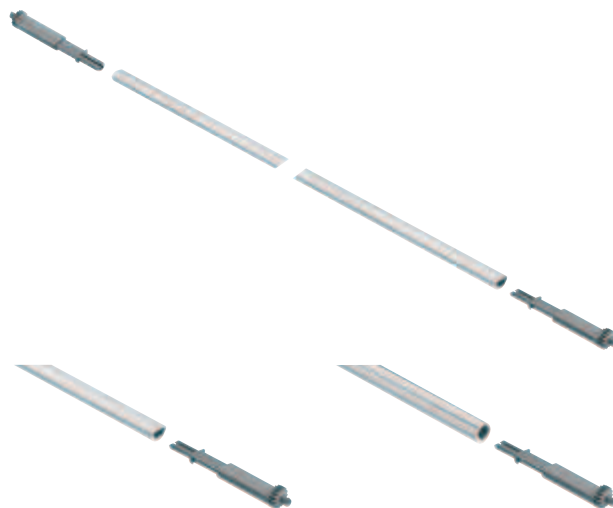
### Depth adjustment



Suitable for	Colour	Cat. No.
550 H, single extension, up to 30 kg	Housing: Grey, follower: Grey/orange	423.53.061
560 H, full extension, up to 30 kg	Housing: Grey, follower: Black/orange	423.54.061
566 H, full extension, up to 50 kg	Housing: Black, follower: Black/orange	423.59.061

Packing: 1 set

## → Additional synchronising set for Tip-On



For cabinet widths up to 1,200 mm

For cabinet widths up to 1,400 mm

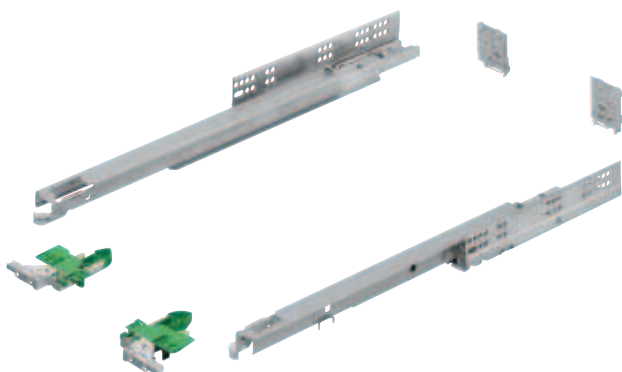
- > Material: Bar: Aluminium cog: Plastic
- > Dim.: Bar suitable for cabinet widths up to 1,200/1,400 mm, cut = internal width – 277 mm

	Cat. No.
For cabinet widths up to 1200 mm	423.53.065
For cabinet widths up to 1400 mm	423.53.068

Packing: 1 set

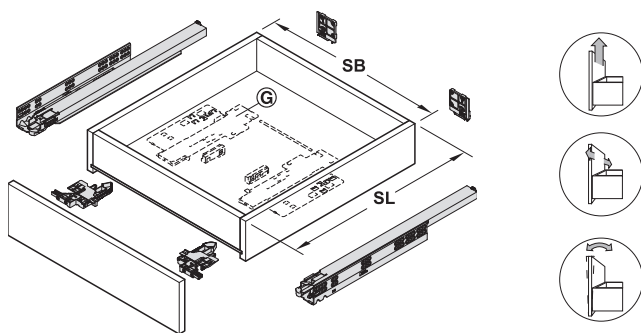
**Grass Dynapro, full extension**

Load bearing capacity up to 70 kg,  
with Soft-close soft and self closing mechanism



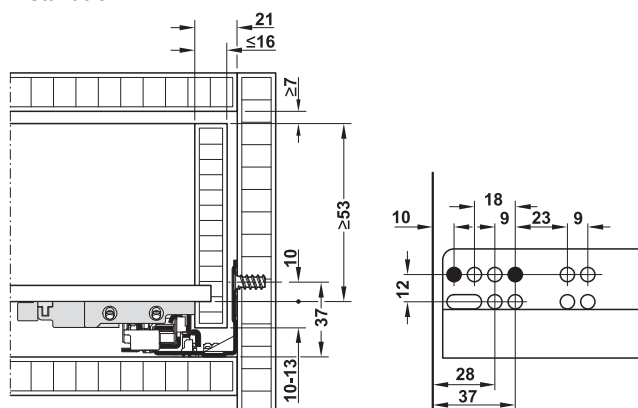
- > Same runners for both soft closing (front panels with handle) and handle-free opening and soft closing (by extension with Tipmatic Soft-close opening system)
- > Load bearing capacities of 40 and 70 kg allow modern furniture design
- > Low opening forces, excellent running properties and 100% synchronising action
- > Precise front panel adjustment without tools in up to 4 dimensions

- > Version: With liquid damper prepared for Tipmatic Soft-close
- > Adjustment facility: Max. height adjustment +3.5 mm, max. side adjustment ±1.5 mm, at snap-in coupling, max. tilt adjustment +4 mm on adjusting adapter, depth adjustment +3.5 mm via optional depth adjustment facility or -1/+3 mm via Tipmatic Soft-Close opening system
- > Material: Steel
- > Finish: Pre-galvanized
- > Dim.: Drawer width SB = internal cabinet width – 42 mm + 2 x drawer side panel thickness, front gap 0 mm, Tipmatic Soft-close front gap min. 2.5 mm



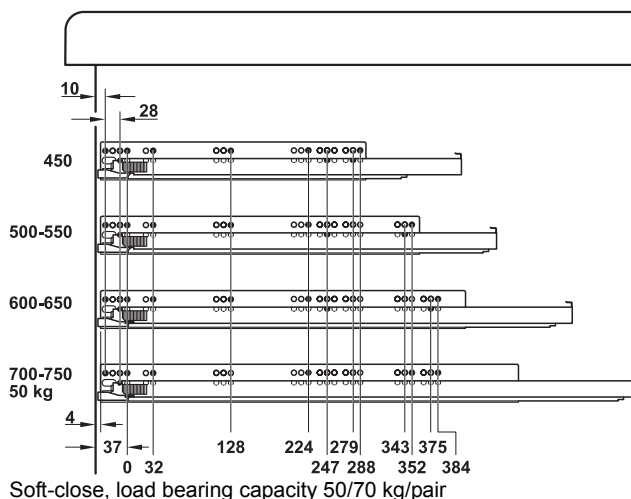
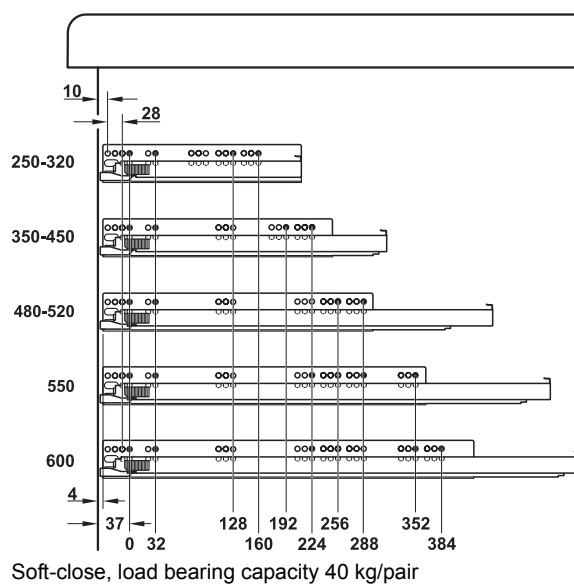
Soft-close

**Installation**



**Note**

Min. installation length with front drawers = nominal length + 3 mm  
Min. installation length with internal drawers = nominal length + 21 mm





### Supplied with

- 1 pair of drawer runners
- 1 pair of snap-in couplings
- 1 pair of adjusting adapters, rear
- 1 set of installation instructions

Nom. length mm	Drawer length SL mm	With Soft-close soft and self closing mechanism, 2-way adjustment	With Soft-close soft and self closing mechanism, 3-way adjustment
<b>Load bearing capacity 40 kg/pair</b>			
250	240	433.19.160	433.19.660
270	260	433.19.161	433.19.661
300	290	433.19.162	433.19.662
320	310	433.19.163	433.19.663
350	340	433.19.164	433.19.664
380	370	433.19.165	433.19.665
400	390	433.19.166	433.19.666
420	410	433.19.167	433.19.667
450	440	433.19.168	433.19.668
480	470	433.19.169	433.19.669
500	490	433.19.170	433.19.670
520	510	433.19.171	433.19.671
550	540	433.19.172	433.19.672
600	590	433.19.173	433.19.673
<b>Load bearing capacity 50 kg/pair</b>			
700	690	433.20.182	433.20.675
750	740	433.20.183	433.20.676
<b>Load bearing capacity 70 kg/pair</b>			
450	440	433.20.190	433.20.688
500	490	433.20.191	433.20.690
550	540	433.20.192	433.20.692
600	590	433.20.193	433.20.694
650	640	433.20.194	433.20.695

Packing: 1 pair

### Order reference

The Tipmatic Soft-close opening system must be ordered in addition to each set for handle-free opening and soft closing action.

## Dynapro Depth adjusters



- > Area of application: For all Dynapro Soft-close runners
- > Adjustment facility: Adjusting range +3.5 mm

### Note

Not suitable for use in combination with Tipmatic Soft-close.

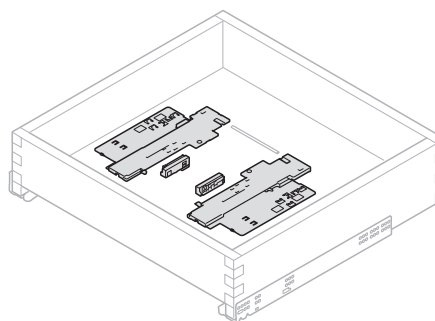
### Supplied with

1 pair of depth adjusters

	Cat. No.
Dynapro depth adjusters	433.19.049

Packing: 1 or 5 pairs

## Tipmatic Soft-close Opening system for Dynapro



- > Touch to open and gentle closing perfectly combined
- > Large touch area for release provided by synchronisation rod
- > Opening and closing function combined in one unit
- > Attachment to the runner without tools
- > Same unit for all weight classes with 3-way adjustment of the ejection force, from nominal length 270 mm

- > Area of application: For drawers and pull outs with Soft-close soft closing system, for all weight classes, from nominal length 270 mm
- > Depth adjustment: -1/+3 mm
- > Installation: The eject unit and follower are attached to the cabinet runner without tools
- > Minimum front gap 2.5 mm

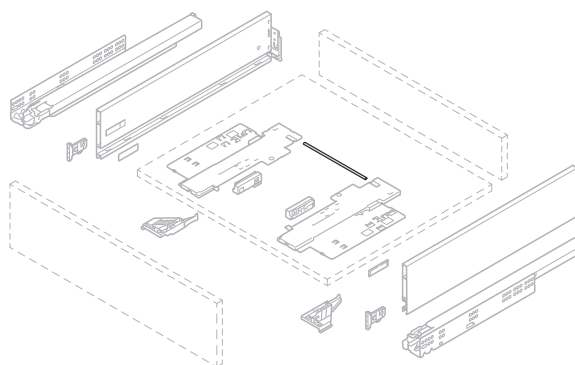
### Supplied with

1 Tipmatic Soft-close eject unit  
 2 followers

	Cat. No.
Tipmatic Soft-close opening system	433.19.080

Packing: 1 set

### → Synchronisation rod



- > Material: Aluminium
- > Installation: For cutting to size: Internal cabinet width – 216 mm, on Tipmatic Soft-close eject unit without tools

### Supplied with

1 synchronisation rod

For cabinet width mm	Length mm	Cat. No.
600	352	433.19.085
1200	952	433.19.086

Packing: 1 piece