



METALIKA
KOMPONENTE ZA INDUSTRIJO **KACIN**

Telescopic slides

Soft-close

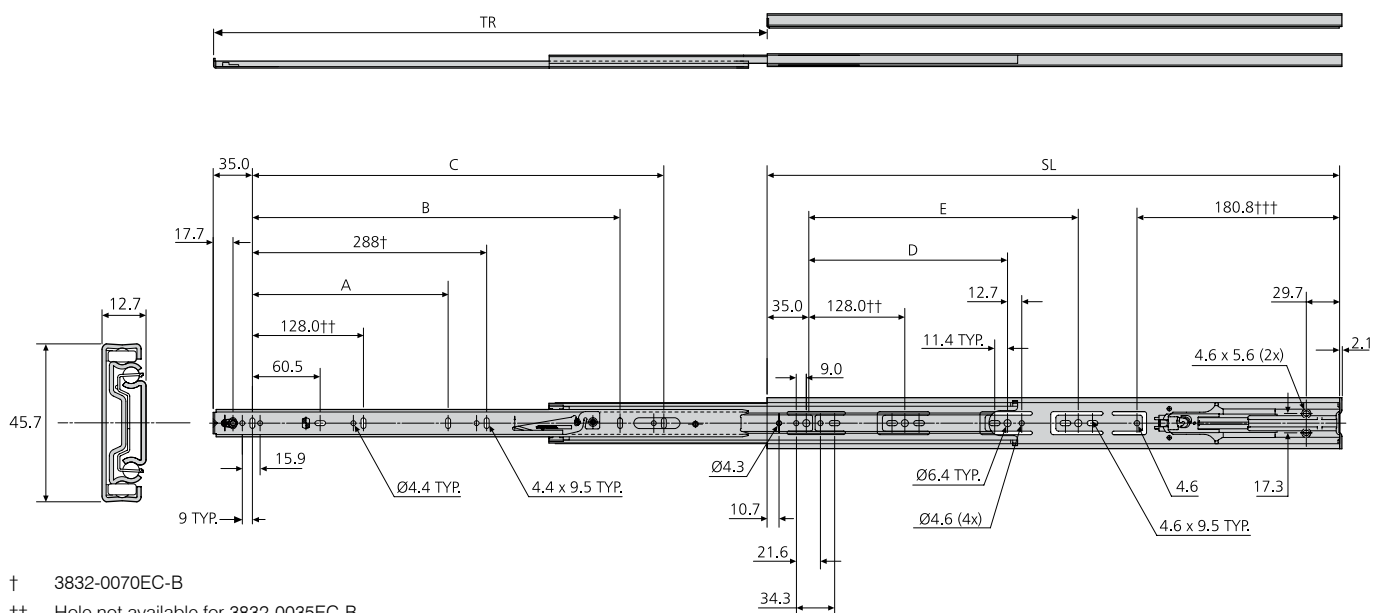
English / German versions

www.METALIKA-KACIN.com

- Soft close
- Load rating up to 45kg per pair
- 100% extension
- 12.7mm slide thickness
- Front disconnect
- Hold-in
- Cam drawer adjust (3.2mm)
- Not suitable for flat mounting
- Temperature +10°C to +40°C
- DZ - 12 hours salt spray test
- DB - 96 hours salt spray test

80,000

- Gedämpfter Selbsteinzug
- Lastwert bis 45kg pro paar
- Vollauszug
- 12,7mm Schienendicke
- Frontschnelltrennung
- Einhalterung in geschlossener Position
- Einstellnocken für Schublade (3,2mm)
- Nicht für Flachmontage geeignet
- Temperatur +10°C bis +40°C
- DZ - 12 Stunden Salzsprühstest
- DB - 96 Stunden Salzsprühstest



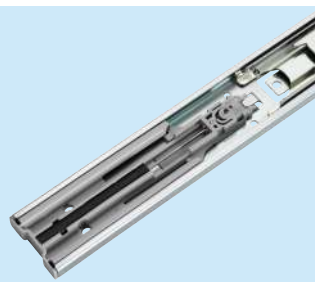
† 3832-0070EC-B
 †† Hole not available for 3832-0035EC-B
 ††† Hole not available for 3832-0045EC-B/0060EC-B

3832EC-B	mm							kg	
	SL	TR	A	B	C	D	E	W	L
*3832-0035EC-B	350	310	-	206	-	-	-	0.97	43
*3832-0040EC-B	400	406	-	257	-	-	-	1.12	44
*3832-0045EC-B	450	457	-	305	-	224	-	1.27	45
*3832-0050EC-B	500	508	-	352	-	224	-	1.44	45
*3832-0055EC-B	550	559	-	407	352	224	-	1.60	45
*3832-0060EC-B	600	610	224	-	416	224	352	1.77	45
*3832-0065EC-B	650	660	224	-	416	224	352	1.92	44
*3832-0070EC-B	700	711	224	-	544	224	352	2.09	43

* Prefix DZ for bright zinc plate, DB for black zinc plate

Notes:

- Fixing recommendation: M4 screw/4mm wood screw/6mm Euro screw
- Max. head. ht. 2.5mm/Ø9.6mm
- Use for side (vertical) mount only
- Vertical (side) mounting only
- Drawer width should not exceed slide length
- Operating range 10°C – 40°C
- More info: "How to select a slide" section



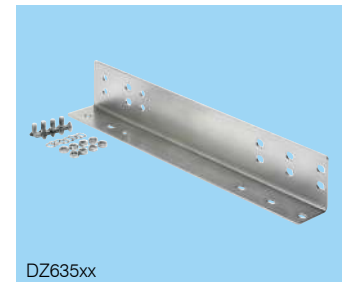
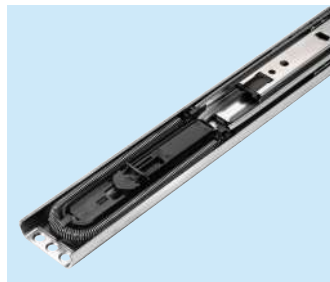
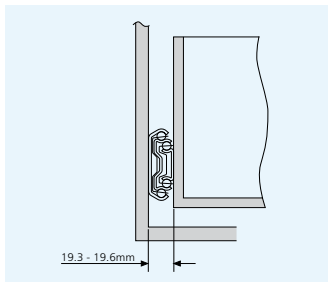
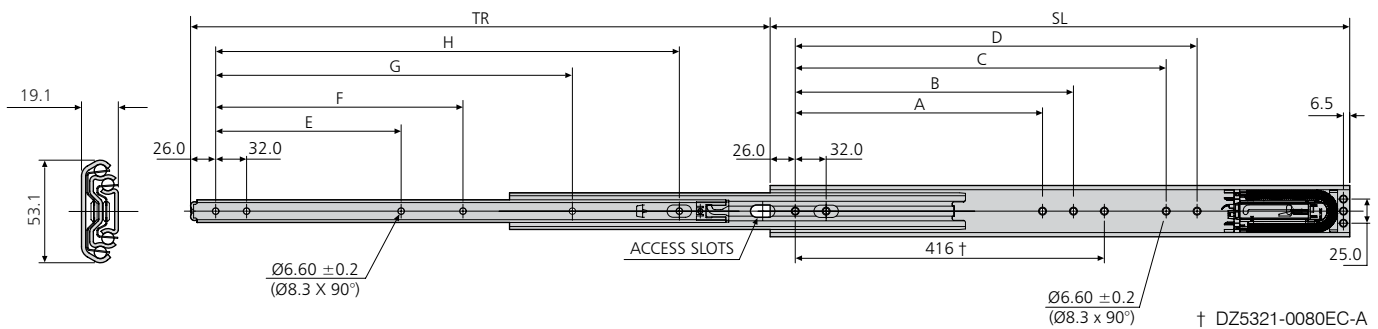
- Soft close
- Load rating up to 100kg per pair
- 100% extension
- 19.1mm slide thickness
- Suitable for drawers up to 1000mm wide
- Opening pull force 25 N ± 5 N
- Soft close on last 45mm of closing cycle
- Optional bracket accessory kits for various mounting options
- Not suitable for flat mounting
- Temperature +10°C to +40°C
- DZ - 12 hours salt spray test

Notes:

- Fixing recommendation: M5 countersunk/6mm countersunk Euro screw
- Vertical (side) mounting only
- We recommend that a centrally positioned pull handle is used on wide drawers
- For bracket accessory kit see 635xx
- Operating range 10°-40°C



80,000



5321EC	mm										kg		
	SL	TR	A	B	C	D	E	F	G	H	W	L (450mm*)	L (1000mm*)
DZ5321-0040EC	400	388	160	192	-	-	128	160	-	288	1.99	65	55
DZ5321-0045EC-A	450	450	160	192	256	-	128	160	-	320	2.27	65	55
DZ5321-0050EC	500	500	192	224	-	-	160	192	-	384	2.57	70	60
DZ5321-0055EC	550	550	192	224	320	352	160	192	-	416	2.87	85	72
DZ5321-0060EC	600	600	256	288	384	416	192	256	-	480	3.18	100	85
DZ5321-0070EC-A	700	700	288	320	448	480	256	288	512	576	3.79	100	85
DZ5321-0080EC-A	800	800	352	384	576	608	320	352	416	672	4.42	90	75
DZ5321-0090EC-A	900	900	320	352	544	672	320	448	736	768	4.96	85	70
DZ5321-0100EC-A	1000	1000	352	384	640	768	352	384	704	736	5.56	80	65
DZ5321-0110EC-A	1100	1100	416	448	768	800	416	448	544	960	6.18	75	60

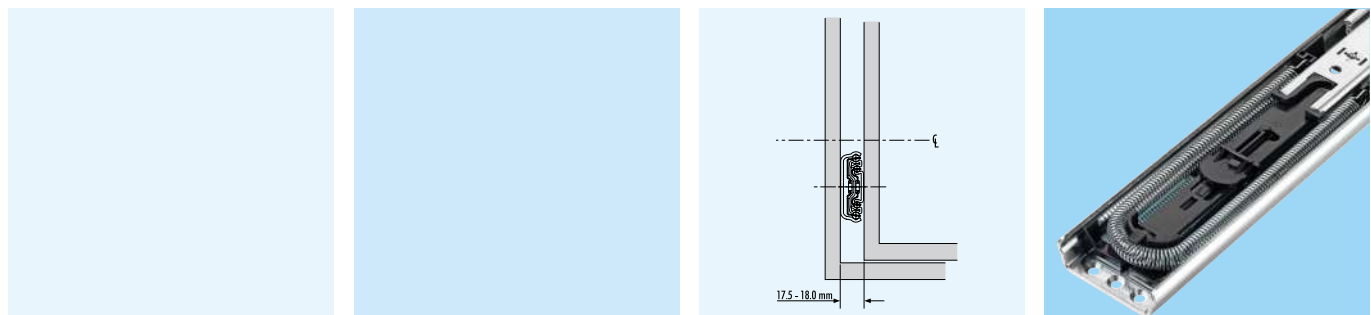
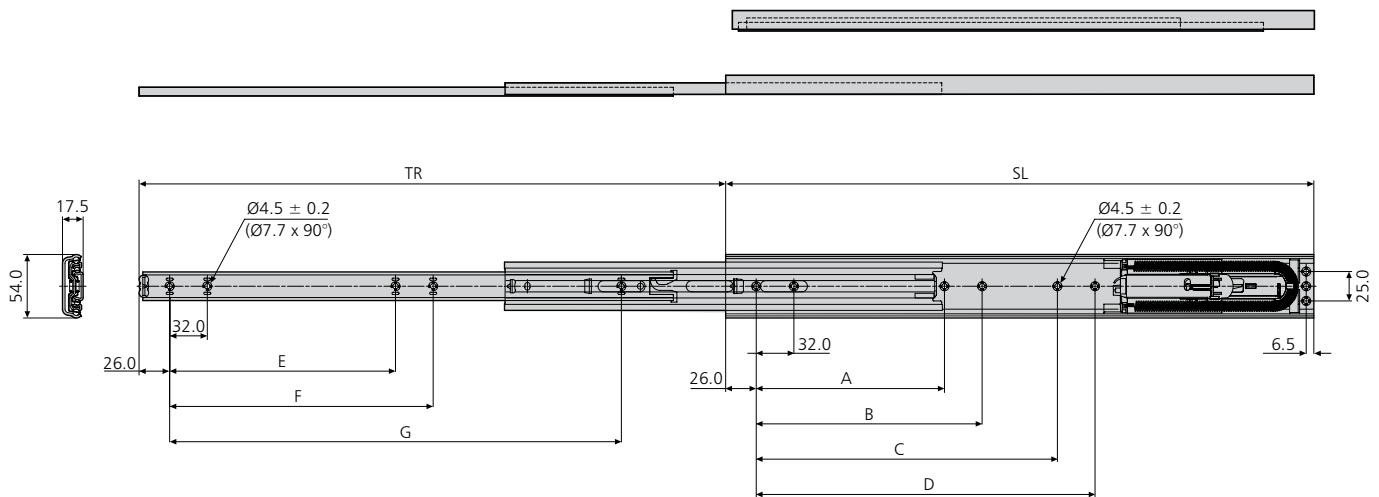
* Drawer width / Largeur de tiroir / Schubladenbreite

- Soft-close
- Load rating up to 55kg per pair
- 100% extension
- 17.5mm slide thickness
- Opening pull force 25 N ± 5 N
- Soft-close on the last 45mm of closing cycle
- Not suitable for flat mounting
- Temperature +10°C to +40°C
- DZ - 12 hours salt spray test

80,000

Notes:

- Fixing recommendation: 4mm woodscrew / M4 countersunk screw
- Vertical (side) mounting only
- Operating range 10° – 40°C
- Load ratings quoted are the maximum for a pair of side mounted slides, mounted 450mm apart, unless otherwise stated. For more information, refer to "How to select a slide" section



5417EC	mm									kg	
	SL	TR ± 3	A	B	C	D	E	F	G	W	L
DZ5417-0040EC	400	400.2	160	192	-	-	128	160	288	2.22	45
DZ5417-0045EC	450	449.4	192	224	-	-	160	192	320	2.53	45
DZ5417-0050EC	500	498.6	160	192	256	288	192	224	384	2.81	50
DZ5417-0055EC	550	547.8	192	224	288	320	192	224	416	3.12	50
DZ5417-0060EC	600	597.0	224	256	352	384	224	256	480	3.41	50
DZ5417-0070EC	700	695.4	288	320	448	480	256	288	576	4.00	55

Full extension

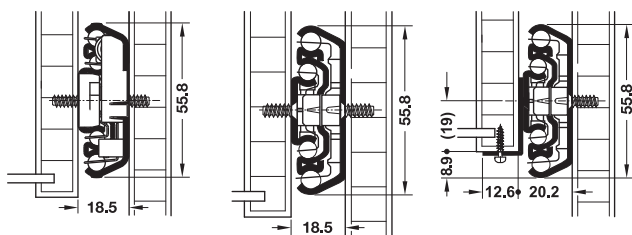
Load bearing capacity up to 129 kg, self closing mechanism or hold-in device for holding in closed position



Fig. shows side mounted version

- > Material: Steel
- > Finish: Galvanized
- > Installation: At drawer, side mounted or surface mounted

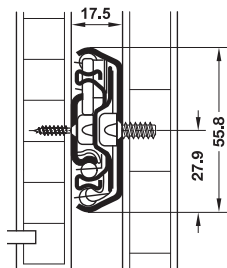
Installation



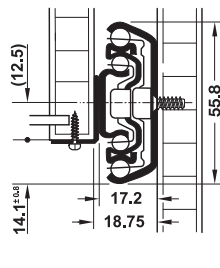
With self closing and soft closing mechanisms, max. drawer width = internal cabinet width – 38 mm

With self closing mechanism, side mounted, max. drawer width = internal cabinet width – 38 mm

With self closing mechanism, surface mounted, max. drawer width = internal cabinet width – 41.5 mm



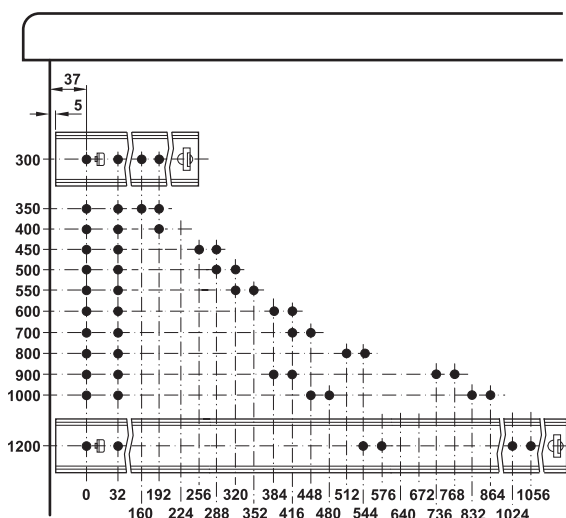
With hold-in device for holding in closed position, side mounted, max. drawer width = internal cabinet width – 36 mm



With hold-in device for holding in closed position, surface mounted, max. drawer width = internal cabinet width – 38 mm



Drilling pattern



Installation length L mm	Extension length AL mm	Load bearing capacity kg	Cat. No.
With self closing and soft closing mechanisms, side mounted			
350	336	65	432.04.736
400	401	75	432.04.741
450	451	75	432.04.746
500	506	75	432.04.751
550	555	75	432.04.756
With self closing mechanism, side mounted			
300	285	94	432.04.931
350	350	96	432.04.936
400	400	97	432.04.941
450	450	110	432.04.946
500	500	119	432.04.951
550	550	118	432.04.956
600	600	123	432.04.961
700	700	129	432.04.971
800	800	121	432.04.981

Installation length L mm	Extension length AL mm	Load bearing capacity kg	Cat. No.
With self closing mechanism, surface mounted			
300	285	94	432.05.931
350	350	96	432.05.936
400	400	97	432.05.941
450	450	110	432.05.946
500	500	119	432.05.951
550	550	118	432.05.956
600	600	123	432.05.961
700	700	129	432.05.971
800	800	121	432.05.981

Installation length L mm	Extension length AL mm	Load bearing capacity kg	Cat. No.
With hold-in device for holding in closed position, side mounted			
300	320	94	420.72.831
350	375	96	420.72.836
400	440	97	420.72.841
450	495	110	420.72.846
500	550	119	420.72.851
550	600	118	420.72.856
600	650	123	420.72.861
700	750	129	420.72.871
800	848	121	420.72.881
900	950	105	420.72.891
1000	1050	81	420.72.894
1200	1250	57	420.72.897

Installation length L mm	Extension length AL mm	Load bearing capacity kg	Cat. No.
With hold-in device for holding in closed position, surface mounted			
300	320	94	420.70.931
350	375	96	420.70.936
400	440	97	420.70.941
450	495	110	420.70.946
500	550	119	420.70.951
550	600	118	420.70.956
600	650	123	420.70.961
700	750	129	420.70.971

Packing: 1 pair

Order reference

Special lengths/functions available from 100 pairs on request.

Note

The specified load bearing capacities refer to 10,000 cycles.