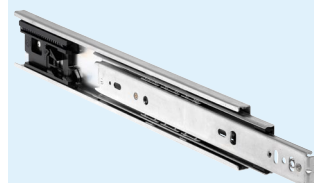
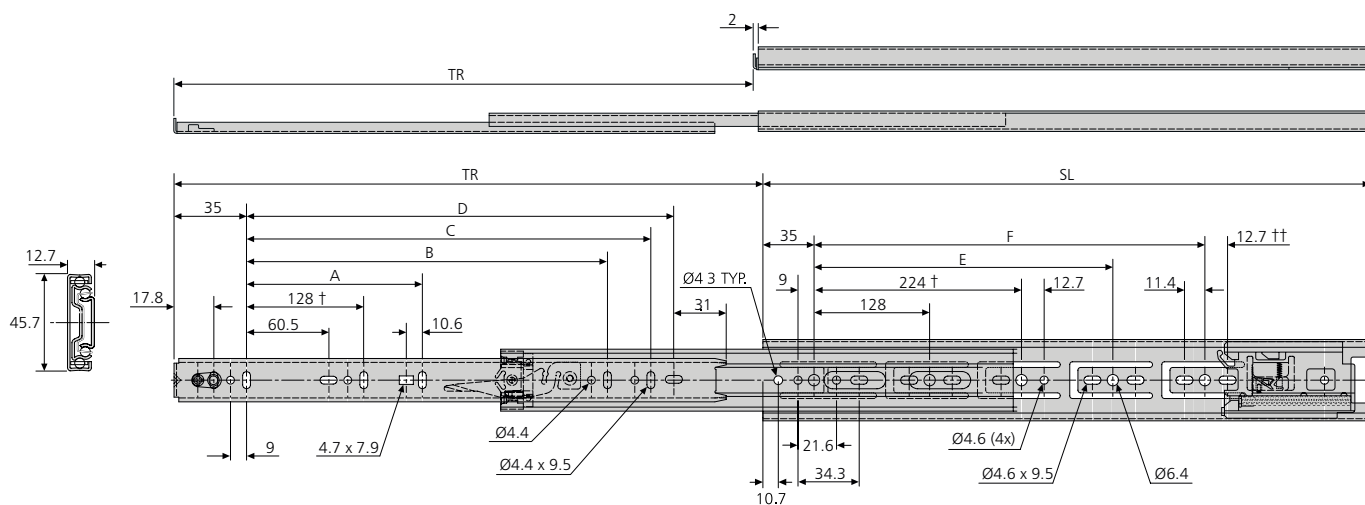


- Touch release – push drawer front to open or close
- Opens drawers approximately 50-125mm from the closed position
- Activation force:
3832TR = 22 N
3832HDTR = 35 N
- Load rating up to 45kg per pair
- Stay-closed feature
- Heavy duty stay-closed option 3832HDTR
- 100% extension
- 12.7mm slide thickness
- Front disconnect
- Hold-in
- Cam drawer adjust (3.2mm)
- Not suitable for flat mounting
- Temperature -20°C to +70°C
- DZ - 12 hours salt spray test
- DB - 96 hours salt spray test

- Touch release – auf die Schublade drücken zum Öffnen oder Schliessen
- Schubladen werden um ca. 50mm-125mm aus der geschlossenen Position ausgezogen
- Aktivierungskraft:
3832TR = 22 N
3832HDTR = 35 N
- Lastwert bis 45kg pro paar
- Schliessfunktion
- Optionale stärkere Schliessfunktion 3832HDTR
- Vollauszug
- 12,7mm Schienendicke
- Frontschnelltrennung
- Rastung in geschlossener Position
- Einstellnocken für Schublade (3,2mm)
- Nicht für Flachmontage geeignet
- Temperatur -20°C bis +70°C
- DZ - 12 Stunden Salzsprühtest
- DB - 96 Stunden Salzsprühtest



80,000



† Hole not available for 3832-0030TR/HDTR
Montageloch nicht bei 3832-0030TR/HDTR

†† Hole not available for 3832-0040/50/60TR/HDTR
Montageloch nicht bei 3832-0040/50/60TR/HDTR



Matrix Box P



Drawer/pull out for door front fixing



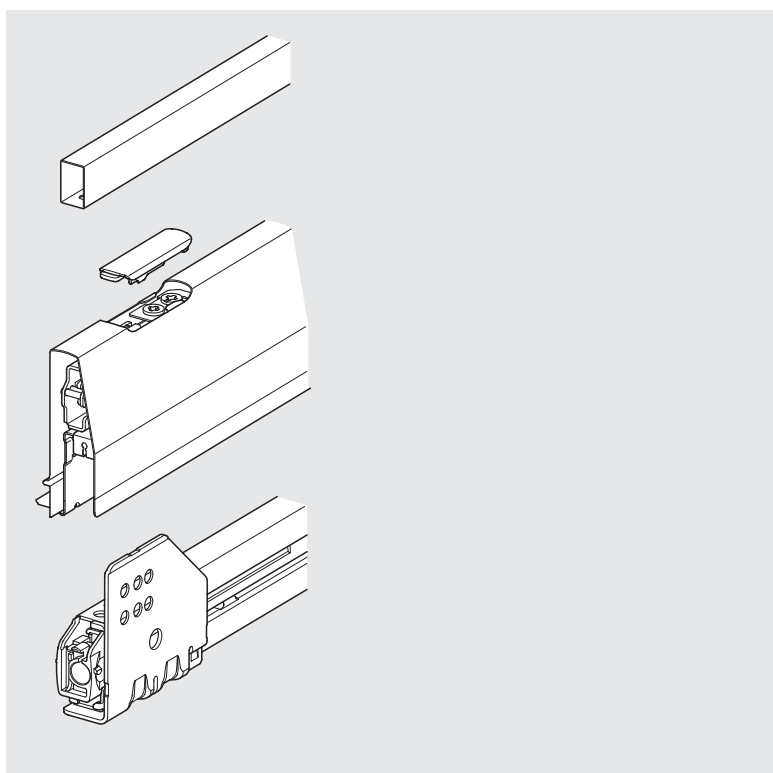
Internal drawer/internal pull out

Matrix Box P, the modular drawer system, opens up new design opportunities for kitchens, living rooms, offices, bathrooms, laboratories and stores. Robust, contemporary and easy to install.

- > Appealing trend colours
- > Streamline design
- > Vertically running inner drawer side 90°
- > Fine adjustment from above

- > Material: Steel
- > Finish: Cabinet runner: Galvanized, drawer sides: In 5 colours
- > Type of pull out: Full extension with integrated soft closing and self closing mechanisms or with Push-to-Open Soft-Close progressive roller for smooth running action.

5 drawer side colours are available



Types of pull out

Full extension with integrated soft closing and self closing mechanisms:

The drawer is opened manually by pulling. On the other hand, when it is closed, the drawer is braked by a fluid soft closing mechanism integrated in the cabinet runner and then automatically and silently closed to the end position.

Full extension with Push-to-Open Soft-Close:

The drawer opens mechanically and automatically by a gentle tap anywhere on the handle-free front panel.

This function can also be used for opening wide pull outs effortlessly using a synchronisation rod.

A gentle push on the front panel closes the drawer and the integrated Soft-Close pulls it automatically and gently to the closed position.

Progressive roller for smooth running action:

Both variants are based on a full extension with progressive rollers, which is the guarantee of smooth running even if the drawers are fully loaded.



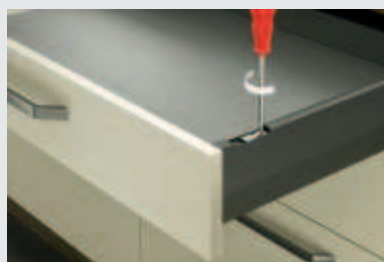
Product highlights

For universal use



With the motto "LET LIFE COME TO YOU", Matrix Box P offers a contemporary, universally deployable drawer side runner system whose modularity and universal deployment capability transforms any area, be it the kitchen, the bathroom, the living room, the laboratory, the office or in stores into an area where the customer will immediately feel comfortable and well equipped.

Functional installation



The Matrix Box P can be easily and functionally assembled and adjusted thanks to its well thought-out basic structure. Rational and functional manufacture possible due to the identical cut width for base panel and rear panel. The pre-mounted rear panel bracket allows a Matrix Box P drawer to be assembled quickly and easily. Front panel installation and disassembly without tools and the adjustment of the front panel from above clearly simplify the installation.

Can be individually designed

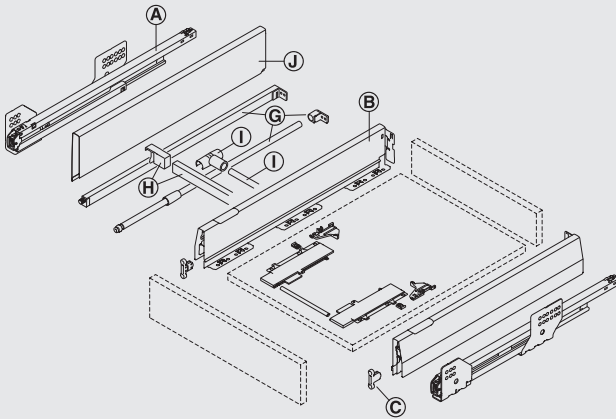


Because of its modularity, the Matrix Box P offers countless design and customisation options. The new colour and finish concept with 3 new trend colours is a real stunner from the moment the front panel opens. It features a modern and streamlined design which has been consistently implemented in the drawers/pull outs for door front fixing and the internal drawers/internal pull outs. This impression is reinforced by the contemporary and elegant straight-edged railing. Rounded off with the panel holder for drawers/pull outs for door front fixing, any drawer side can undergo further customisation to the customer's individual wishes – even the most unusual ones. The internal drawers/internal pull outs, which provide an optimum view of the contents at all times with glass panels at the front or the side, are coordinated with this. Be it drawers with wooden front panels or internal drawers, both can be equipped with inserts made from glass, wood, or stone, continuing the customisation that has been started and giving each item of furniture a unique note.

The finishing touches are given to the design by the optional additions and extensions such as height extension side panels, cross railing, central locking system, an overextension and also the under sink pull out, making the modular system complete for all wishes and requirements.



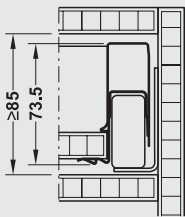
Explanation of terms: Drawer and pull out for door front ixing



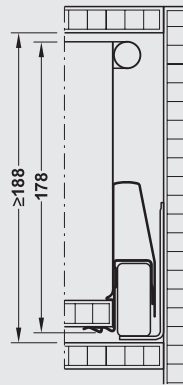
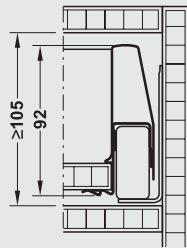
- Ⓐ Cabinet runner, optional with Push-to-Open Soft-Close
- Ⓑ Drawer side with cover caps
- Ⓒ Front fixing bracket
- Ⓓ Side railing set, round/straight-edged
- Ⓔ Cross rail and cross rail holder, rectangular
- Ⓕ Cross rail and cross rail holder, round
- Ⓖ Height extension side panel
- Ⓗ Panel holder and lateral glass panel (not shown)
- Ⓖ Front panel stabilising plate

Drawer side design: Drawer and pull out for door front ixing

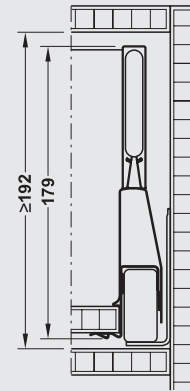
Drawer side height 60 mm



Drawer side height 92 mm

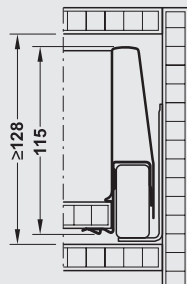


With round or rectangular railing

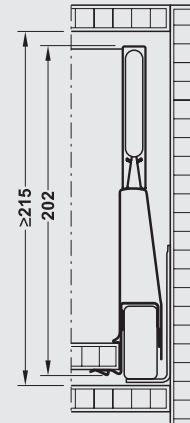


With panel holder

Drawer side height 115 mm



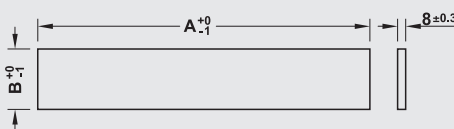
With round or rectangular railing



With panel holder

Cutting dimensions for self-manufactured insert elements

Pull out for door front ixing

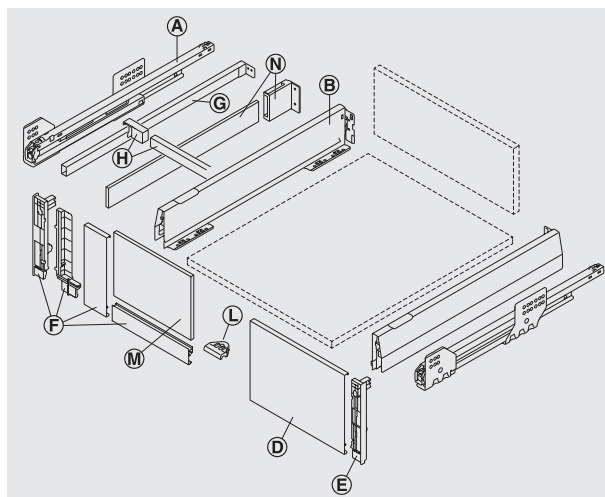


Length A = nominal length of cabinet runner – 45 mm
 Height B = 82 mm

DGH-M 2017, HDE-en, 10/16; Dimensional data not binding. We reserve the right to alter specifications without notice.



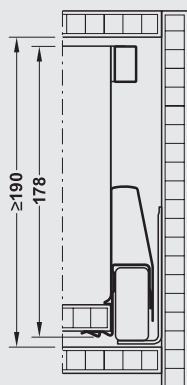
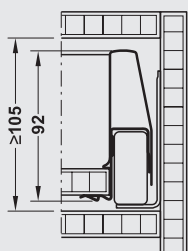
Explanation of terms: Internal drawer and internal pull out



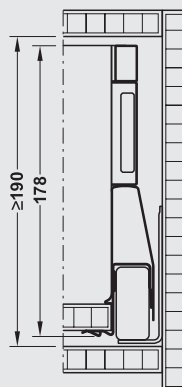
- Ⓐ Cabinet runner
- Ⓑ Drawer side with cover caps
- Ⓓ Panel for internal drawer/internal pull out
- Ⓔ Panel holder for internal drawer/internal pull out
- Ⓕ Panel holder set for internal pull out
- Ⓖ Side railing set, rectangular
- Ⓗ Cross rail and cross rail holder, rectangular
- Ⓛ Front panel stabilising plate
- Ⓜ Front glass panel
- Ⓝ Rear panel fitting and lateral panel holder

Drawer side design: Internal drawer and internal pull out

Drawer side height 92 mm

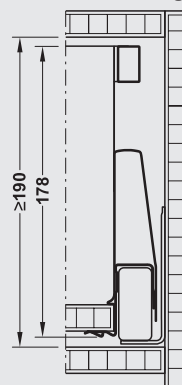


With rectangular railing



With rectangular railing and panel holder

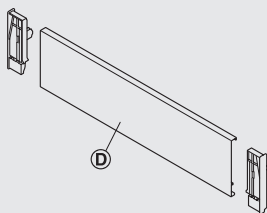
Drawer side height 115 mm



With rectangular railing

Cutting dimensions for panel

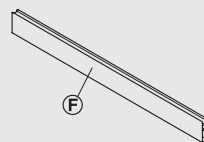
Internal drawer and internal pull out



Ⓓ Panel:
Internal cabinet width – 10 mm

Cutting dimensions for panel insert

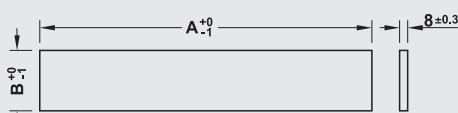
Internal pull out



Ⓕ Panel insert:
Internal cabinet width – 133 mm

Cutting dimensions for self-manufactured front insert elements in combination with panel insert Ⓕ

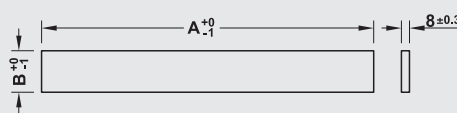
Internal pull out



Ⓜ Length A = internal cabinet width – 94 mm
Height B = 151 mm

Cutting dimensions for self-manufactured lateral insert elements

Internal pull out



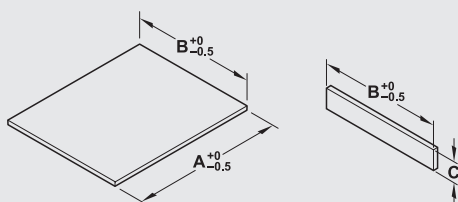
Ⓝ Length A = nominal length cabinet runner – 25 mm
Height B = 48 mm



Cutting dimensions for panels (panel thickness of 16 mm)

Base panel

Rear panel

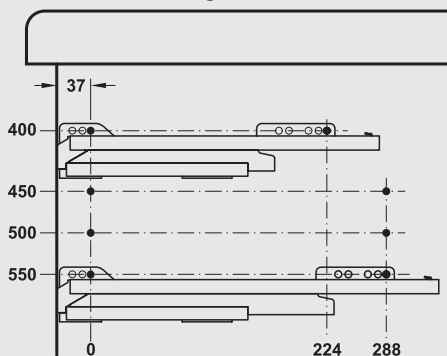


A = nominal length – 3 mm
 B = internal cabinet width – 62 mm
 C = height

Drawer side height	Load bearing capacity	Rear panel height C
60 mm	35 kg	53 mm
92 mm	35/50/70 kg	69 mm
115 mm	35/50/70 kg	92 mm
Railing/height extension side panel/ panel holder 92 mm	35/50/70 kg	157 mm
Railing/height extension side panel/ panel holder 115 mm	35/50/70 kg	180 mm

Drilling pattern for cabinet

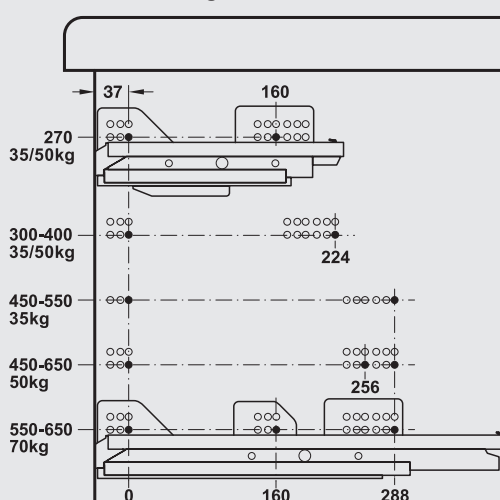
For drawer side height 60 mm



Front gap 1 mm



For drawer side height 92 mm and 115 mm

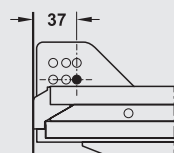


Front gap 1 mm

Note:
 The 35 kg runner has only one screw hole in height.
 The bottom drill holes in the runner (50/70 kg) correspond to the series drilled holes.

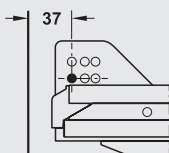


Screw-on positions of front panel



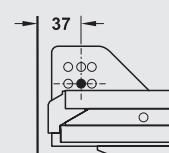
Drawer or pull out for door front fixing

Min. internal cabinet depth = nominal length +3 mm



Internal drawer/internal pull out with wooden panel (max. 19 mm)

Min. internal cabinet depth = nominal length +23 mm



Internal drawer/internal pull out, e.g. VIS

Min. internal cabinet depth = nominal length +12 mm



Calculation of the internal drawer space dimensions

Internal drawer width, e.g.:

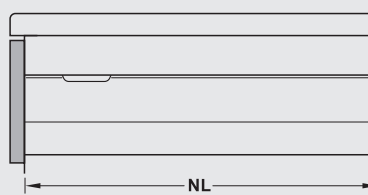
External cabinet width 600 mm
 – (2 x side panel thickness) – (2 x 19 mm = 38 mm)
 – (2 x installation dimension) – (2 x 31 mm = 62 mm)
 = internal drawer width = 500 mm

External cabinet width mm	300	400	500	600	800
Side panel thickness mm	Internal drawer width mm				
16	206	306	406	506	706
19	200	300	400	500	700

Internal drawer depth, e.g.:

Nominal length cabinet runner 500 mm
 – installation dimension – 3 mm
 – rear panel thickness – 16 mm
 = internal drawer depth = 481 mm

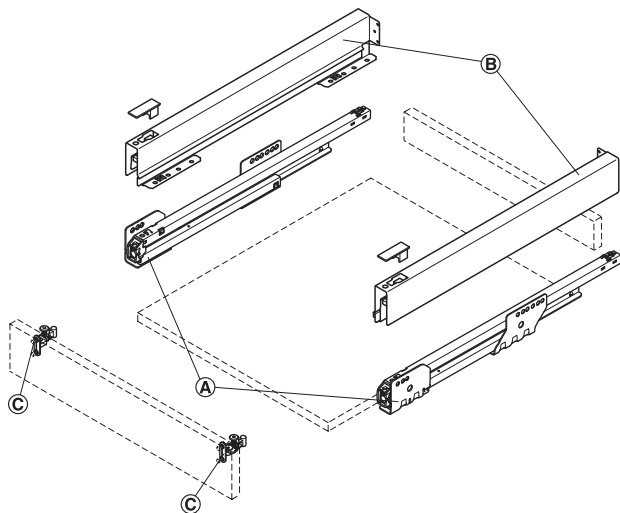
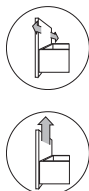
Internal cabinet depth



Min. internal cabinet depth = nominal length NL + 3 mm

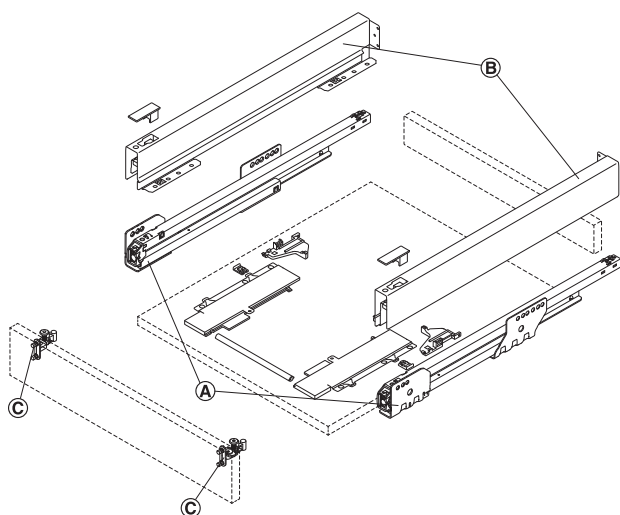
Matrix Box P Drawer set

Drawer side height 60 mm



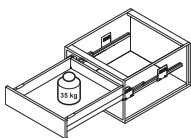
With integrated soft closing and self closing mechanisms

- A** Cabinet runner
- B** Drawer sides with cover caps
- C** Front fixing bracket

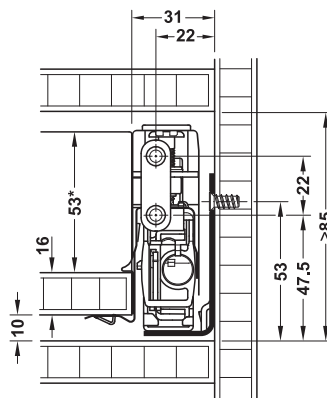


With Push-to-Open

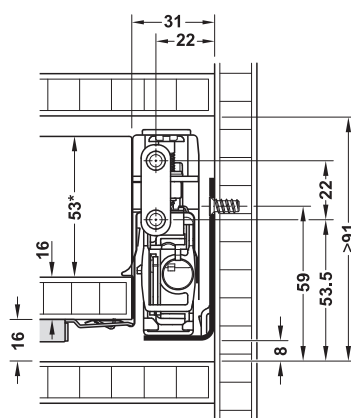
- A** Cabinet runner with Push-to-Open Soft-Close
- B** Drawer sides with cover caps
- C** Front fixing bracket



Internal installation height

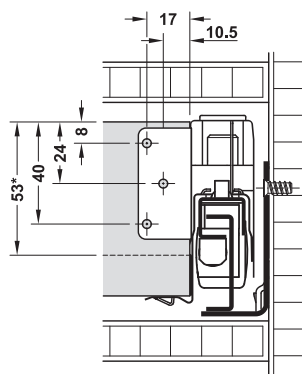


With integrated soft closing and self closing mechanisms



With Push-to-Open Soft-Close

Rear panel installation dimensions



* Rear panel height

- > Material: Steel
- > Finish: Drawer sides: Powder coated, cabinet runner: Galvanized

Note

Only front fixing brackets for screw fixing are supplied with the set.

DGH-M 2017, HDE-en, 10/16; Dimensional data not binding. We reserve the right to alter specifications without notice.

→ Full extension, with integrated soft closing and self closing mechanisms

> Type of pull out: Full extension, with integrated Smuso soft closing mechanism and self closing mechanism, with integrated rear panel fitting

Supplied with

- 1 left and 1 right drawer side with rear panel fitting
- 1 left and 1 right cabinet runner
- 1 left and 1 right front fixing bracket for screw fixing
- 1 left and 1 right cover cap/front fixing bracket fixing



Nom. length mm	White	Grey	Metallic silver	Metallic anthracite	Metallic bronze brown
Load bearing capacity 35 kg, Matrix Box P35 drawer set, drawer side height 60 mm					
400	551.53.773	551.53.573	551.53.973	551.53.373	551.53.173
450	551.53.774	551.53.574	551.53.974	551.53.374	551.53.174
500	551.53.775	551.53.575	551.53.975	551.53.375	551.53.175
550	551.53.776	551.53.576	551.53.976	551.53.376	551.53.176

Packing: 1 set

Order reference

Please order fixing screw Cat. No. 013.20.949 for front fixing brackets separately.

→ Full extension, with integrated soft closing mechanism, self closing mechanism and Push-to-Open Soft-Close

> Type of pull out: Full extension, with integrated Smuso soft closing mechanism and self closing mechanism, with Push-to-Open and integrated rear panel fitting

Supplied with

- 1 left and 1 right drawer side with rear panel fitting
- 1 left and 1 right cabinet runner with Push-to-Open Soft-Close
- 1 left and 1 right front fixing bracket for screw fixing
- 1 left and 1 right cover cap/front fixing bracket fixing
- 1 Push-to-Open Soft-Close element
- 1 synchronisation rod (for drawer width 600 or 1,200 mm)



Nom. length mm	White	Grey	Metallic silver	Metallic anthracite	Metallic bronze brown
Load bearing capacity 35 kg, Matrix Box P35 drawer set, drawer side height 60 mm, for cabinet width up to 600 mm					
400	513.29.703	513.29.503	513.29.903	513.29.303	513.29.103
450	513.29.704	513.29.504	513.29.904	513.29.304	513.29.104
500	513.29.705	513.29.505	513.29.905	513.29.305	513.29.105
550	513.29.706	513.29.506	513.29.906	513.29.306	513.29.106
Load bearing capacity 35 kg, Matrix Box P35 drawer set, drawer side height 60 mm, for cabinet width up to 1200 mm					
400	513.29.713	513.29.513	513.29.913	513.29.313	513.29.113
450	513.29.714	513.29.514	513.29.914	513.29.314	513.29.114
500	513.29.715	513.29.515	513.29.915	513.29.315	513.29.115
550	513.29.716	513.29.516	513.29.916	513.29.316	513.29.116

Packing: 1 set

Order reference

Please order fixing screw Cat. No. 013.20.949 for front fixing brackets separately.

Railing, height extension side panel and panel holder additionally available. Please order individual components separately.

From cabinet width >800 mm, it is recommended to also use the support (Cat. No. 551.80.005) for the synchronisation rod, please order separately.

Supplementary products	▶ MB 9.32
Matrix Box P planning and installation	▶ MB 9.7
Cylindrical head screw (for front fixing)	▶ MB 14.50



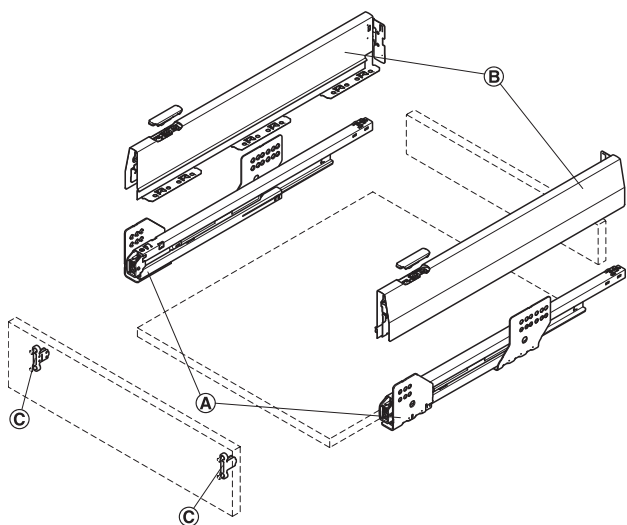
9

Drawer and Pull Out for Door Front Fixing

DGH-M 2017, HDE-en_10/16; Dimensional data not binding. We reserve the right to alter specifications without notice.

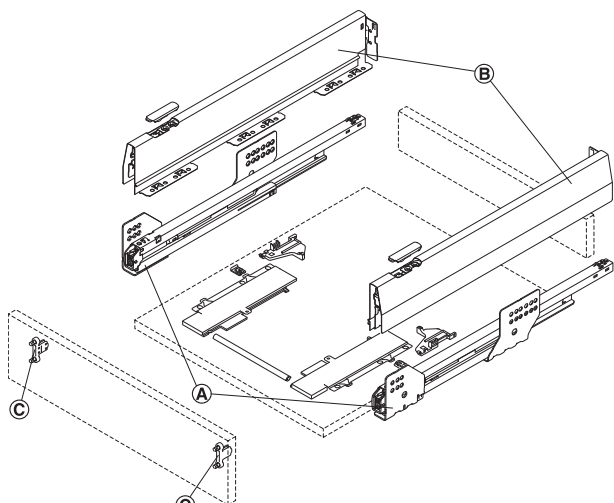
Matrix Box P Drawer set

Drawer side height 92 mm



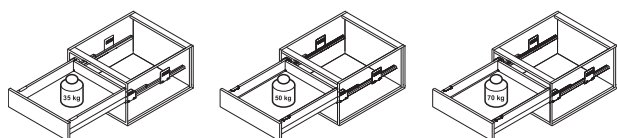
With integrated soft closing and self closing mechanisms

- Ⓐ Cabinet runner
- Ⓑ Drawer sides with cover caps
- Ⓒ Front fixing bracket

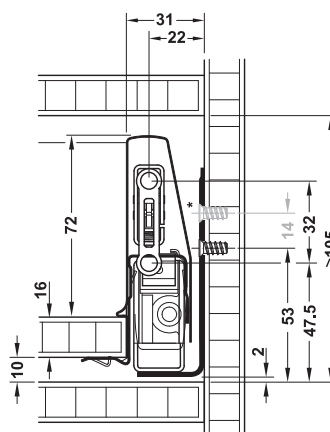


With Push-to-Open

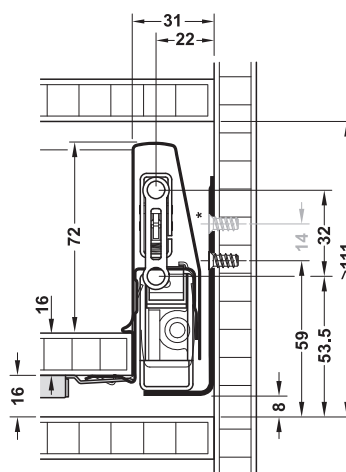
- Ⓐ Cabinet runner with Push-to-Open Soft-Close
- Ⓑ Drawer sides with cover caps
- Ⓒ Front fixing bracket



Internal installation height



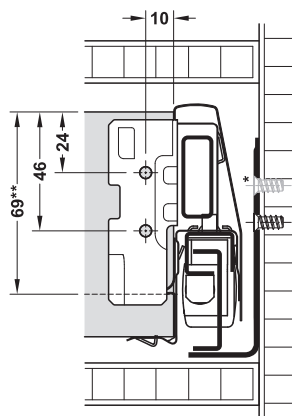
With integrated soft closing and self closing mechanisms



With Push-to-Open Soft-Close

* Top row series drilled holes and fixing screws are not required for sets with load bearing capacity of 35 kg.

Rear panel installation dimensions



**Rear panel height

- > Material: Steel
- > Finish: Drawer sides: Powder coated, cabinet runner: Zinc plated

→ Full extension, with integrated soft closing and self closing mechanisms

> Type of pull out: Full extension, with integrated Smuso soft closing mechanism and self closing mechanism, with integrated rear panel fitting

Supplied with

- 1 left and 1 right drawer side with rear panel fitting
- 1 left and 1 right cabinet runner
- 1 left and 1 right cover cap with logo relief



Nom. length mm	White	Grey	Metallic silver	Metallic anthracite	Metallic bronze brown
Load bearing capacity 35 kg, Matrix Box P35 drawer set, drawer side height 92 mm					
270	513.04.700	513.04.500	513.04.900	513.04.300	513.04.100
300	513.04.701	513.04.501	513.04.901	513.04.301	513.04.101
350	513.04.702	513.04.502	513.04.902	513.04.302	513.04.102
400	513.04.703	513.04.503	513.04.903	513.04.303	513.04.103
450	513.04.704	513.04.504	513.04.904	513.04.304	513.04.104
500	513.04.705	513.04.505	513.04.905	513.04.305	513.04.105
550	513.04.706	513.04.506	513.04.906	513.04.306	513.04.106
Load bearing capacity 50 kg, Matrix Box P50 drawer set, drawer side height 92 mm					
400	551.54.723	551.54.523	551.54.923	551.54.323	551.54.123
450	551.54.724	551.54.524	551.54.924	551.54.324	551.54.124
500	551.54.725	551.54.525	551.54.925	551.54.325	551.54.125
550	551.54.726	551.54.526	551.54.926	551.54.326	551.54.126
600	551.54.727	551.54.527	551.54.927	551.54.327	551.54.127
650	551.54.728	551.54.528	551.54.928	551.54.328	551.54.128
Load bearing capacity 70 kg, Matrix Box P70 drawer set, drawer side height 92 mm					
550	551.54.746	551.54.546	551.54.946	551.54.346	551.54.146
600	551.54.747	551.54.547	551.54.947	551.54.347	551.54.147
650	551.54.748	551.54.548	551.54.948	551.54.348	551.54.148

Packing: 1 set

Order reference

Front fixing brackets © for drawer not supplied, please order separately.

Front fixing bracket ©	► MB 9.11 A
Supplementary products	► MB 9.32
Matrix Box P planning and installation	► MB 9.7
Cylindrical head screw (for front fixing)	► MB 14.50

DGH-M 2017, HDE-en, 10/16; Dimensional data not binding. We reserve the right to alter specifications without notice.



9

Drawer and Pull Out for Door Front Fixing

→ Full extension, with integrated soft closing mechanism, self closing mechanism and Push-to-Open Soft-Close

> Type of pull out: Full extension, with integrated Smuso soft closing mechanism and self closing mechanism, with Push-to-Open and integrated rear panel fitting

Supplied with

- 1 left and 1 right drawer side with rear panel fitting
- 1 left and 1 right cabinet runner with Push-to-Open Soft-Close
- 1 left and 1 right cover cap with logo relief
- 1 Push-to-Open Soft-Close element
- 1 synchronisation rod (for drawer width 600 or 1200 mm)



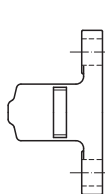
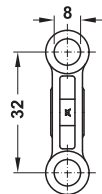
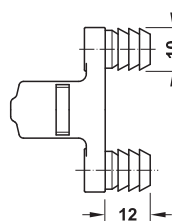
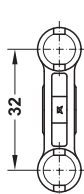
Nom. length mm	White	Grey	Metallic silver	Metallic anthracite	Metallic bronze brown
Load bearing capacity 35 kg, Matrix Box P35 drawer set, drawer side height 92 mm, for cabinet width up to 600 mm					
350	513.30.702	513.30.502	513.30.902	513.30.302	513.30.102
400	513.30.703	513.30.503	513.30.903	513.30.303	513.30.103
450	513.30.704	513.30.504	513.30.904	513.30.304	513.30.104
500	513.30.705	513.30.505	513.30.905	513.30.305	513.30.105
550	513.30.706	513.30.506	513.30.906	513.30.306	513.30.106
Load bearing capacity 35 kg, Matrix Box P35 drawer set, drawer side height 92 mm, for cabinet width up to 1200 mm					
350	513.30.712	513.30.512	513.30.912	513.30.312	513.30.112
400	513.30.713	513.30.513	513.30.913	513.30.313	513.30.113
450	513.30.714	513.30.514	513.30.914	513.30.314	513.30.114
500	513.30.715	513.30.515	513.30.915	513.30.315	513.30.115
550	513.30.716	513.30.516	513.30.916	513.30.316	513.30.116
Load bearing capacity 50 kg, Matrix Box P50 drawer set, drawer side height 92 mm, for cabinet width up to 600 mm					
450	513.30.724	513.30.524	513.30.924	513.30.324	513.30.124
500	513.30.725	513.30.525	513.30.925	513.30.325	513.30.125
550	513.30.726	513.30.526	513.30.926	513.30.326	513.30.126
600	513.30.727	513.30.527	513.30.927	513.30.327	513.30.127
650	513.30.728	513.30.528	513.30.928	513.30.328	513.30.128
Load bearing capacity 50 kg, Matrix Box P50 drawer set, drawer side height 92 mm, for cabinet width up to 1200 mm					
450	513.30.734	513.30.534	513.30.934	513.30.334	513.30.134
500	513.30.735	513.30.535	513.30.935	513.30.335	513.30.135
550	513.30.736	513.30.536	513.30.936	513.30.336	513.30.136
600	513.30.737	513.30.537	513.30.937	513.30.337	513.30.137
650	513.30.738	513.30.538	513.30.938	513.30.338	513.30.138

Packing: 1 set

Order reference

Front fixing brackets © for drawer not supplied, please order separately.
 Railing, height extension side panel and panel holder additionally available. Please order individual components separately.
 From cabinet width >800 mm, it is recommended to also use the support (Cat. No. 551.80.005) for the synchronisation rod, please order separately.

Front fixing bracket ©



> Material: Zinc alloy

Version	Cat. No.
For press fitting	553.59.995
For screw fixing	553.59.991

Packing: 1 or 100 pieces

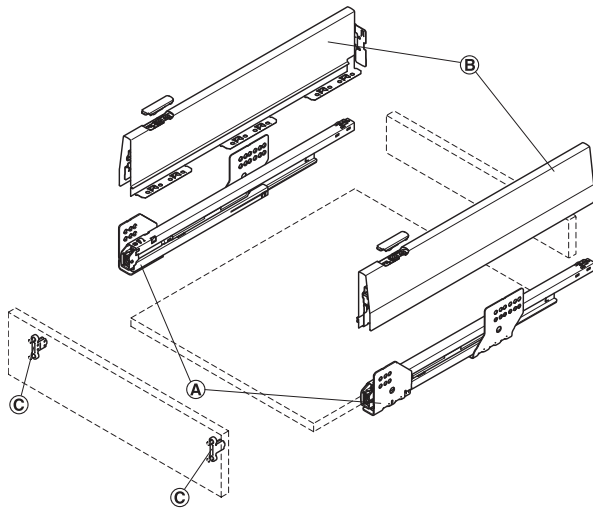
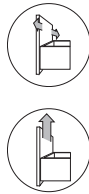
Order reference

Please order fixing screw Cat. No. 013.20.949 for screw-fixed version separately.



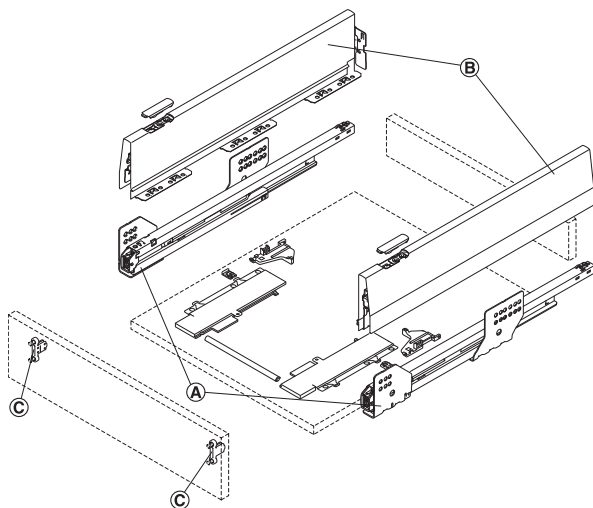
Matrix Box P Drawer set

Drawer side height 115 mm



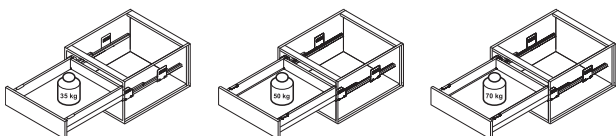
With integrated soft closing and self closing mechanisms

- A** Cabinet runner
- B** Drawer sides with cover caps
- C** Front fixing bracket

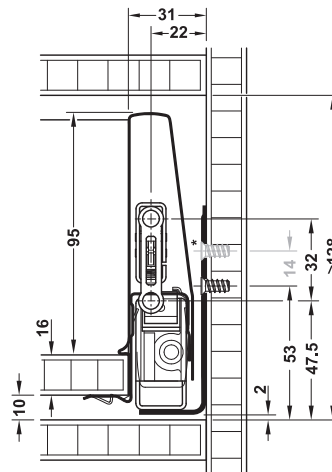


With Push-to-Open

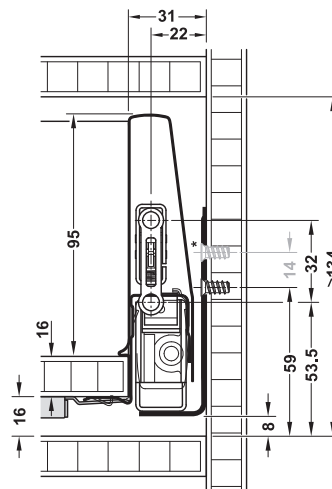
- A** Cabinet runner with Push-to-Open Soft-Close
- B** Drawer sides with cover caps
- C** Front fixing bracket



Internal installation height



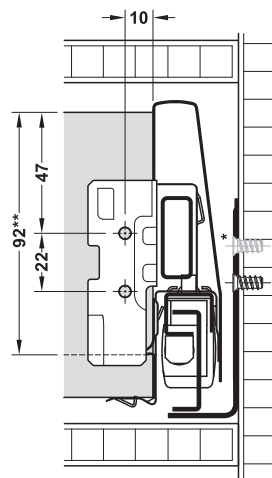
With integrated soft closing and self closing mechanisms



With Push-to-Open Soft-Close

* Top row series drilled holes and fixing screws are not required for sets with load bearing capacity of 35 kg.

Rear panel installation dimensions



** Rear panel height

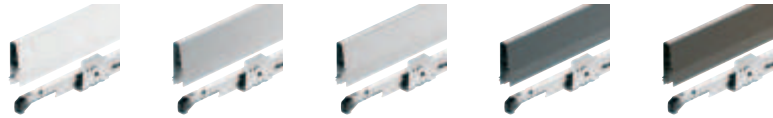
- > Material: Steel
- > Finish: Drawer sides: Powder coated, cabinet runner: Zinc plated

→ Full extension, with integrated soft closing and self closing mechanisms

> Type of pull out: Full extension, with integrated Smuso soft closing mechanism and self closing mechanism, with integrated rear panel fitting

Supplied with

- 1 left and 1 right drawer side with rear panel fitting
- 1 left and 1 right cabinet runner
- 1 left and 1 right cover cap with logo relief



Nom. length mm	White	Grey	Metallic silver	Metallic anthracite	Metallic bronze brown
Load bearing capacity 35 kg, Matrix Box P35 drawer set, drawer side height 115 mm					
270	513.14.700	513.14.500	513.14.900	513.14.300	513.14.100
300	513.14.701	513.14.501	513.14.901	513.14.301	513.14.101
350	513.14.702	513.14.502	513.14.902	513.14.302	513.14.102
400	513.14.703	513.14.503	513.14.903	513.14.303	513.14.103
450	513.14.704	513.14.504	513.14.904	513.14.304	513.14.104
500	513.14.705	513.14.505	513.14.905	513.14.305	513.14.105
550	513.14.706	513.14.506	513.14.906	513.14.306	513.14.106
Load bearing capacity 50 kg, Matrix Box P50 drawer set, drawer side height 115 mm					
400	551.74.723	551.74.523	551.74.923	551.74.323	551.74.123
450	551.74.724	551.74.524	551.74.924	551.74.324	551.74.124
500	551.74.725	551.74.525	551.74.925	551.74.325	551.74.125
550	551.74.726	551.74.526	551.74.926	551.74.326	551.74.126
600	551.74.727	551.74.527	551.74.927	551.74.327	551.74.127
650	551.74.728	551.74.528	551.74.928	551.74.328	551.74.128
Load bearing capacity 70 kg, Matrix Box P70 drawer set, drawer side height 115 mm					
550	551.74.746	551.74.546	551.74.946	551.74.346	551.74.146
600	551.74.747	551.74.547	551.74.947	551.74.347	551.74.147
650	551.74.748	551.74.548	551.74.948	551.74.348	551.74.148

Packing: 1 set

Order reference

Front fixing brackets © for drawer not supplied, please order separately.

Front fixing bracket ©	► MB 9.13 A
Supplementary products	► MB 9.32
Matrix Box P planning and installation	► MB 9.7
Cylindrical head screw (for front fixing)	► MB 14.50

DGH-M 2017, HDE-en, 10/16; Dimensional data not binding. We reserve the right to alter specifications without notice.



9

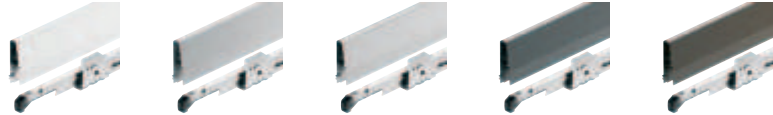
Drawer and Pull Out for Door Front Fixing

→ Full extension, with integrated soft closing mechanism, self closing mechanism and Push-to-Open Soft-Close

> Type of pull out: Full extension, with integrated Smuso soft closing mechanism and self closing mechanism, with Push-to-Open and integrated rear panel fitting

Supplied with

- 1 left and 1 right drawer side with rear panel fitting
- 1 left and 1 right cabinet runner with Push-to-Open Soft-Close
- 1 left and 1 right cover cap with logo relief
- 1 Push-to-Open Soft-Close element
- 1 synchronisation rod (for drawer width 600 or 1200 mm)



Nom. length mm	White	Grey	Metallic silver	Metallic anthracite	Metallic bronze brown
----------------	-------	------	-----------------	---------------------	-----------------------

Load bearing capacity 35 kg, Matrix Box P35 drawer set, drawer side height 115 mm, for cabinet width up to 600 mm					
350	513.31.702	513.31.502	513.31.902	513.31.302	513.31.102
400	513.31.703	513.31.503	513.31.903	513.31.303	513.31.103
450	513.31.704	513.31.504	513.31.904	513.31.304	513.31.104
500	513.31.705	513.31.505	513.31.905	513.31.305	513.31.105
550	513.31.706	513.31.506	513.31.906	513.31.306	513.31.106

Load bearing capacity 35 kg, Matrix Box P35 drawer set, drawer side height 115 mm, for cabinet width up to 1200 mm					
350	513.31.712	513.31.512	513.31.912	513.31.312	513.31.112
400	513.31.713	513.31.513	513.31.913	513.31.313	513.31.113
450	513.31.714	513.31.514	513.31.914	513.31.314	513.31.114
500	513.31.715	513.31.515	513.31.915	513.31.315	513.31.115
550	513.31.716	513.31.516	513.31.916	513.31.316	513.31.116

Load bearing capacity 50 kg, Matrix Box P50 drawer set, drawer side height 115 mm, for cabinet width up to 600 mm					
450	513.31.724	513.31.524	513.31.924	513.31.324	513.31.124
500	513.31.725	513.31.525	513.31.925	513.31.325	513.31.125
550	513.31.726	513.31.526	513.31.926	513.31.326	513.31.126
600	513.31.727	513.31.527	513.31.927	513.31.327	513.31.127
650	513.31.728	513.31.528	513.31.928	513.31.328	513.31.128

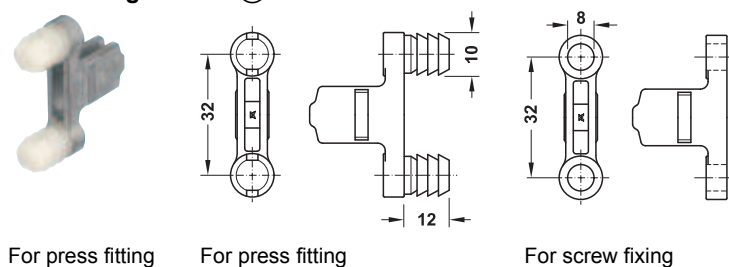
Load bearing capacity 50 kg, Matrix Box P50 drawer set, drawer side height 115 mm, for cabinet width up to 1200 mm					
450	513.31.734	513.31.534	513.31.934	513.31.334	513.31.134
500	513.31.735	513.31.535	513.31.935	513.31.335	513.31.135
550	513.31.736	513.31.536	513.31.936	513.31.336	513.31.136
600	513.31.737	513.31.537	513.31.937	513.31.337	513.31.137
650	513.31.738	513.31.538	513.31.938	513.31.338	513.31.138

Packing: 1 set

Order reference

Front fixing brackets © for drawer not supplied, please order separately.
 Railing, height extension side panel and panel holder additionally available. Please order individual components separately.
 From cabinet width >800 mm, it is recommended to also use the support (Cat. No. 551.80.005) for the synchronisation rod, please order separately.

Front fixing bracket ©



> Material: Zinc alloy

Version	Cat. No.
For press fitting	553.59.995
For screw fixing	553.59.991

Packing: 1 or 100 pieces

Order reference

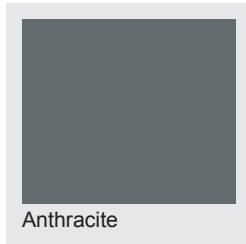
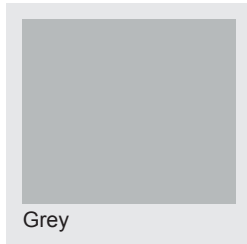
Please order fixing screw Cat. No. 013.20.949 for screw-fixed version separately.



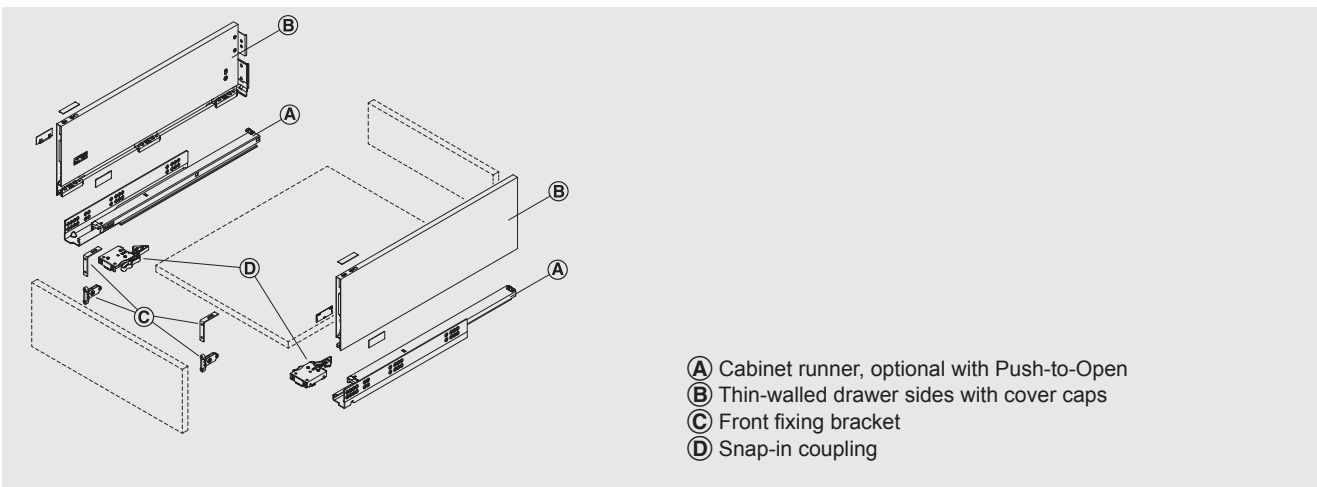


Matrix Box Slim A

3 drawer side colours are available



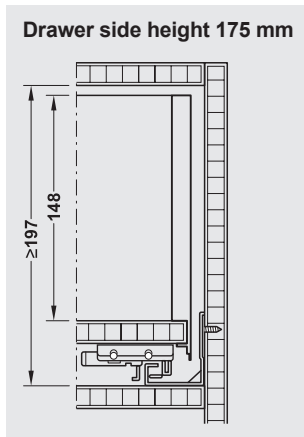
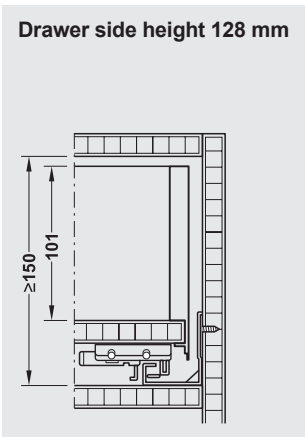
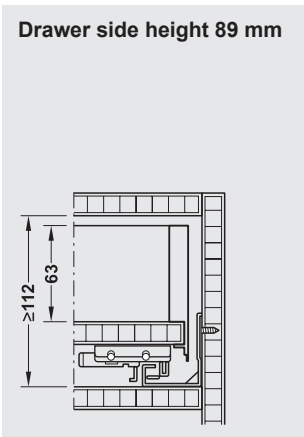
Definition



9

Drawer and Pull Out for Door Front Fixing

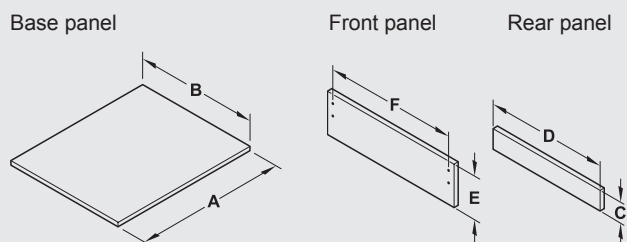
Drawer side design



DGH-M 2017, HDE-en, 10/16; Dimensional data not binding. We reserve the right to alter specifications without notice.



Cutting dimensions for panels and front panels (panel thickness of 16 mm)

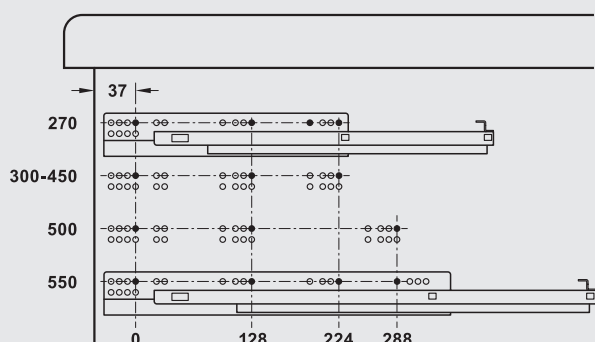


A = nominal length – 10 mm
 B = internal cabinet width – 19 mm
 C = rear panel height
 D = internal cabinet width – 40 mm
 F = internal cabinet width – 29 mm

Drawer side height	Load bearing capacity	Rear panel height C
89 mm	30 kg	63 mm
128 mm	30 kg	101 mm
175 mm	30 kg	148 mm

Drilling pattern for cabinet

For drawer side height 89 mm, 128 mm and 175 mm



Front gap 1 mm



Calculation of the internal drawer space dimensions

Internal drawer width, e.g.:

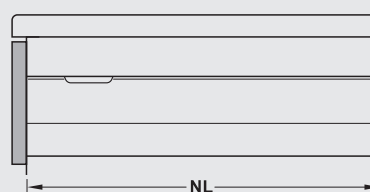
External cabinet width 600 mm
 – (2 x side panel thickness) – (2 x 19 mm = 38 mm)
 – (2 x installation dimension) – (2 x 20 mm = 40 mm)
 = internal drawer width = 522 mm

External cabinet width mm	300	400	500	600	800
Side panel thickness mm	Internal drawer width mm				
16	228	328	428	528	728
19	222	322	422	522	722

Internal drawer depth, e.g.:

Nominal length cabinet runner 500 mm
 – rear panel thickness – 16 mm
 = internal drawer depth = 484 mm

Internal cabinet depth



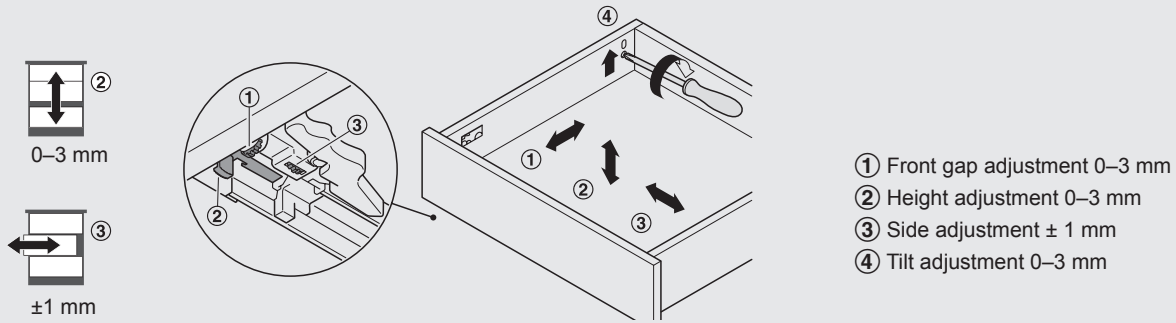
Min. internal cabinet depth = nominal length NL + 20 mm

DGH-M 2017, HDE-en, 10/16; Dimensional data not binding. We reserve the right to alter specifications without notice.

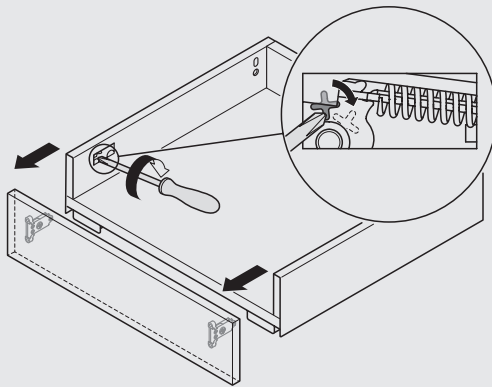


Adjustment facilities

Convenient height and side adjustment, tilt and front gap adjustment when installed

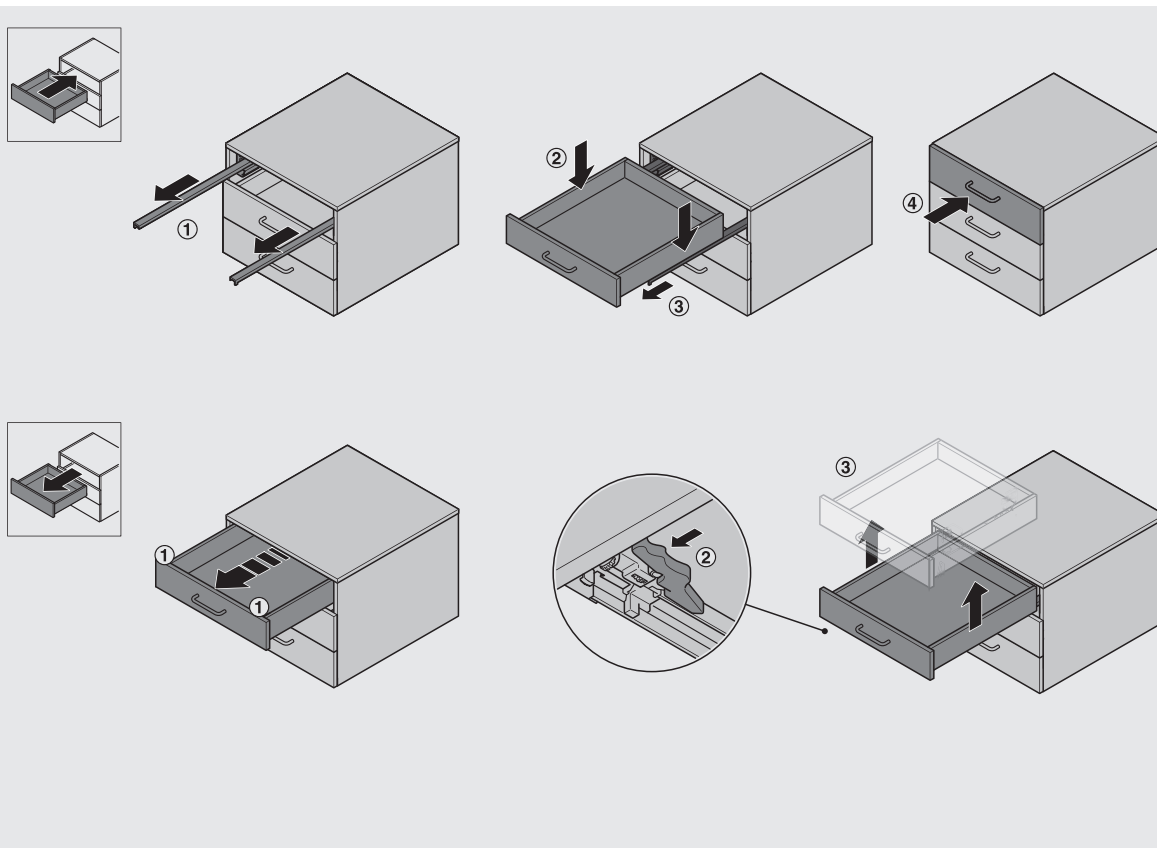


Easy panel mounting and removal



9

Installation and removal of the drawer

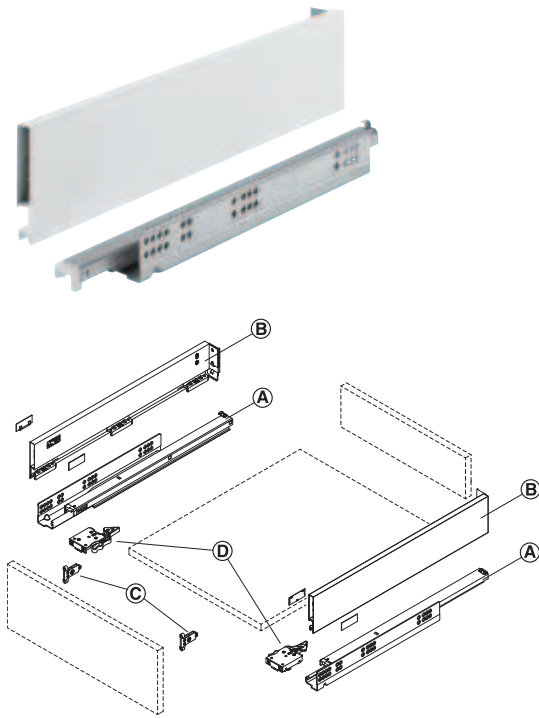


Drawer and Pull Out for Door Front Fixing

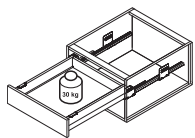
DGH-M 2017, HDE-en, 10/16; Dimensional data not binding. We reserve the right to alter specifications without notice.

Drawer set

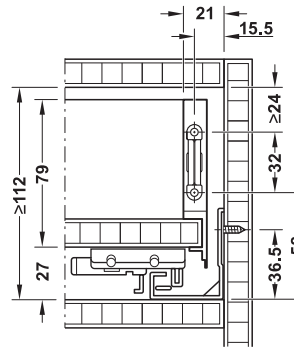
Drawer side height 89 mm



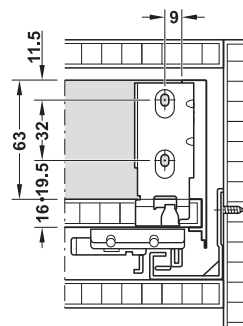
- (A) Cabinet runner, with Push-to-Open (optional)
- (B) Thin-walled drawer sides with cover caps
- (C) Front fixing bracket
- (D) Snap-in coupling



Internal installation height



Rear panel installation dimensions



- > Material Steel
- > Finish Drawer sides: Powder coated, cabinet runner: Zinc plated
- > Load bearing capacity 30 kg
- > Version Thin drawer sides of 13 mm, full extension, metal drawer sides can be replaced with wooden drawer

With self closing and soft closing mechanisms or with Push-to-Open

→ Full extension, with integrated soft closing and self closing mechanisms

> Type of pull out: Full extension, with integrated soft closing and self closing mechanisms, with integrated rear panel fitting

Supplied with

- 1 left and 1 right thin-walled drawer side with rear panel fitting
- 1 left and 1 right cabinet runner
- 1 left and 1 right runner coupling
- 1 left and 1 right front fixing bracket for screw fixing
- 1 left and 1 right cover cap



Nom. length mm	White	Grey	Anthracite
270	552.21.750	552.21.450	552.21.550
300	552.21.751	552.21.451	552.21.551
350	552.21.752	552.21.452	552.21.552
400	552.21.753	552.21.453	552.21.553
450	552.21.754	552.21.454	552.21.554
500	552.21.755	552.21.455	552.21.555
550	552.21.756	552.21.456	552.21.556

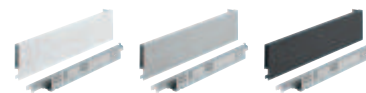
Packing: 1 set

→ Full extension, with Push-to-Open

> Type of pull out: Full extension, with Push-to-Open, with integrated rear panel fitting

Supplied with

- 1 left and 1 right thin-walled drawer side with rear panel fitting
- 1 left and 1 right cabinet runner
- 1 left and 1 right runner coupling
- 1 left and 1 right front fixing bracket for screw fixing
- 1 left and 1 right cover cap

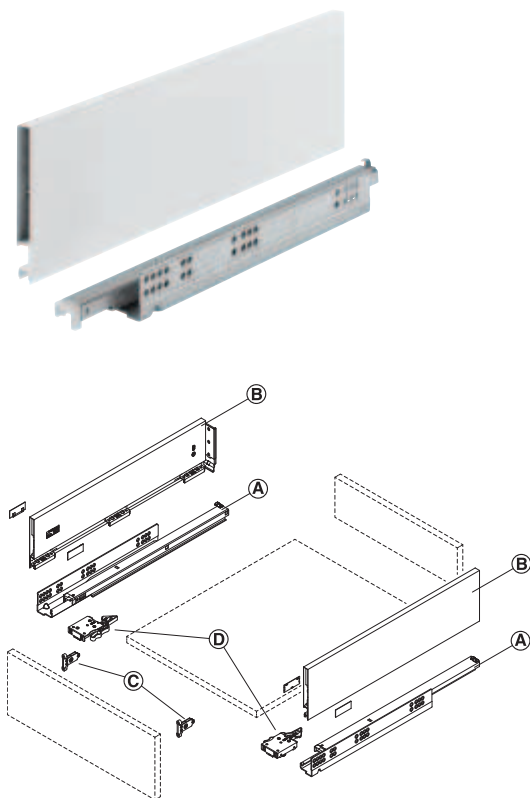


Nom. length mm	White	Grey	Anthracite
270	552.21.760	552.21.460	552.21.560
300	552.21.761	552.21.461	552.21.561
350	552.21.762	552.21.462	552.21.562
400	552.21.763	552.21.463	552.21.563
450	552.21.764	552.21.464	552.21.564
500	552.21.765	552.21.465	552.21.565
550	552.21.766	552.21.466	552.21.566

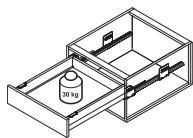
Packing: 1 set

Drawer set

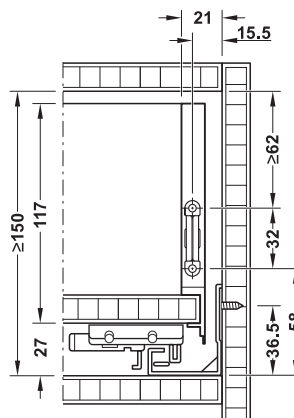
Drawer side height 128 mm



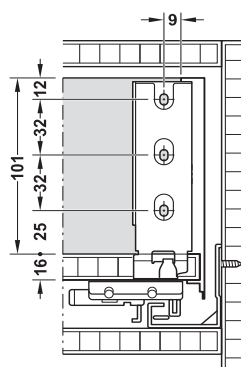
- A** Cabinet runner, with Push-to-Open (optional)
- B** Thin-walled drawer sides with cover caps
- C** Front fixing bracket
- D** Snap-in coupling



Internal installation height



Rear panel installation dimensions



- > Material Steel
- > Finish Drawer sides: Powder coated, cabinet runner: Zinc plated
- > Load bearing capacity 30 kg
- > Version Thin drawer sides of 13 mm, full extension, metal drawer sides can be replaced with wooden drawer

With self closing and soft closing mechanisms or with Push-to-Open

→ Full extension, with integrated soft closing and self closing mechanisms

> Type of pull out: Full extension, with integrated soft closing and self closing mechanisms, with integrated rear panel fitting

Supplied with

- 1 left and 1 right thin-walled drawer side with rear panel fitting
- 1 left and 1 right cabinet runner
- 1 left and 1 right runner coupling
- 1 left and 1 right front fixing bracket for screw fixing
- 1 left and 1 right cover cap



Nom. length mm	White	Grey	Anthracite
270	552.22.750	552.22.450	552.22.550
300	552.22.751	552.22.451	552.22.551
350	552.22.752	552.22.452	552.22.552
400	552.22.753	552.22.453	552.22.553
450	552.22.754	552.22.454	552.22.554
500	552.22.755	552.22.455	552.22.555
550	552.22.756	552.22.456	552.22.556

Packing: 1 set

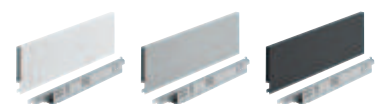


→ Full extension, with Push-to-Open

> Type of pull out: Full extension, with Push-to-Open, with integrated rear panel fitting

Supplied with

- 1 left and 1 right thin-walled drawer side with rear panel fitting
- 1 left and 1 right cabinet runner
- 1 left and 1 right runner coupling
- 1 left and 1 right front fixing bracket for screw fixing
- 1 left and 1 right cover cap

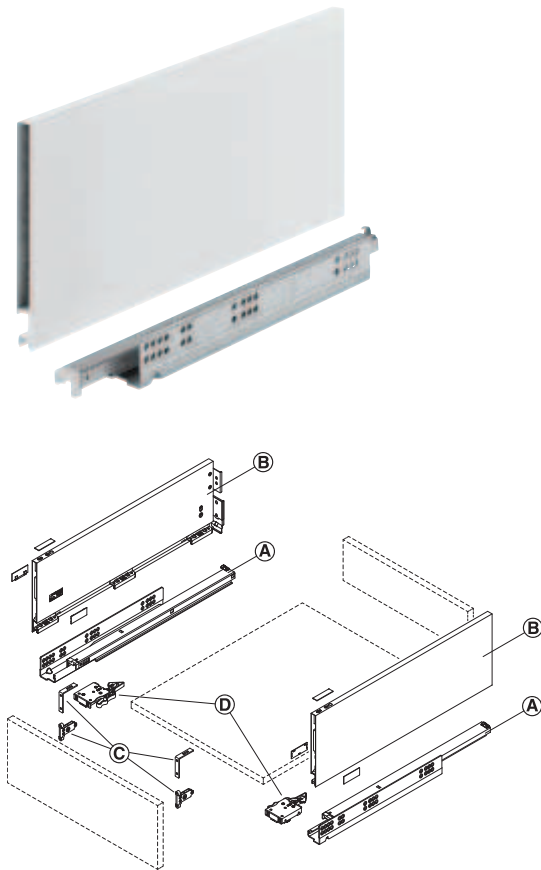


Nom. length mm	White	Grey	Anthracite
270	552.22.760	552.22.460	552.22.560
300	552.22.761	552.22.461	552.22.561
350	552.22.762	552.22.462	552.22.562
400	552.22.763	552.22.463	552.22.563
450	552.22.764	552.22.464	552.22.564
500	552.22.765	552.22.465	552.22.565
550	552.22.766	552.22.466	552.22.566

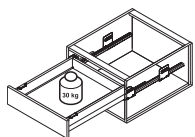
Packing: 1 set

Drawer set

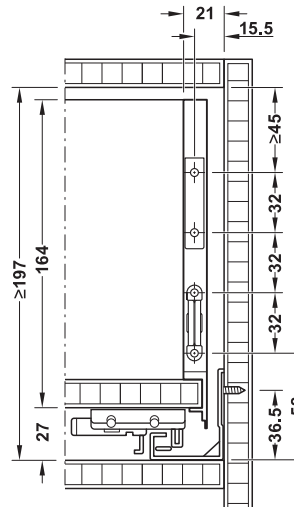
Drawer side height 175 mm



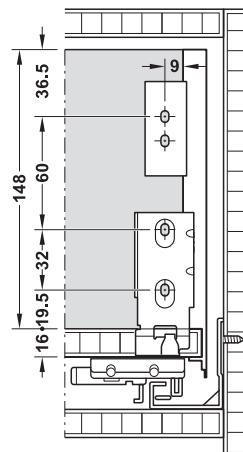
- A** Cabinet runner, with Push-to-Open (optional)
- B** Thin-walled drawer sides with cover caps
- C** Front fixing bracket
- D** Snap-in coupling



Internal installation height



Rear panel installation dimensions



- > Material Steel
- > Finish Drawer sides: Powder coated, cabinet runner: Zinc plated
- > Load bearing capacity 30 kg
- > Version Thin drawer sides of 13 mm, full extension, metal drawer sides can be replaced with wooden drawer

With self closing and soft closing mechanisms or with Push-to-Open

→ **Full extension, with integrated soft closing and self closing mechanisms**

> Type of pull out: Full extension, with integrated soft closing and self closing mechanisms, with integrated rear panel fitting

Supplied with

- 1 left and 1 right thin-walled drawer side with rear panel fitting
- 1 left and 1 right cabinet runner
- 1 left and 1 right runner coupling
- 1 left and 1 right front fixing bracket for screw fixing
- 1 pair of L-shaped connecting brackets
- 2 left and 2 right cover caps



Nom. length mm	White	Grey	Anthracite
270	552.23.750	552.23.450	552.23.550
300	552.23.751	552.23.451	552.23.551
350	552.23.752	552.23.452	552.23.552
400	552.23.753	552.23.453	552.23.553
450	552.23.754	552.23.454	552.23.554
500	552.23.755	552.23.455	552.23.555
550	552.23.756	552.23.456	552.23.556

Packing: 1 set



→ **Full extension, with Push-to-Open**

> Type of pull out: Full extension, with Push-to-Open, with integrated rear panel fitting

Supplied with

- 1 left and 1 right thin-walled drawer side with rear panel fitting
- 1 left and 1 right cabinet runner
- 1 left and 1 right runner coupling
- 1 left and 1 right front fixing bracket for screw fixing
- 1 pair of L-shaped connecting brackets
- 2 left and 2 right cover caps



Nom. length mm	White	Grey	Anthracite
270	552.23.760	552.23.460	552.23.560
300	552.23.761	552.23.461	552.23.561
350	552.23.762	552.23.462	552.23.562
400	552.23.763	552.23.463	552.23.563
450	552.23.764	552.23.464	552.23.564
500	552.23.765	552.23.465	552.23.565
550	552.23.766	552.23.466	552.23.566

Packing: 1 set