



METALIKA
KOMPONENTE ZA INDUSTRIJO **KACIN**

Telescopic slides with lock-in and lock-out

English / German versions

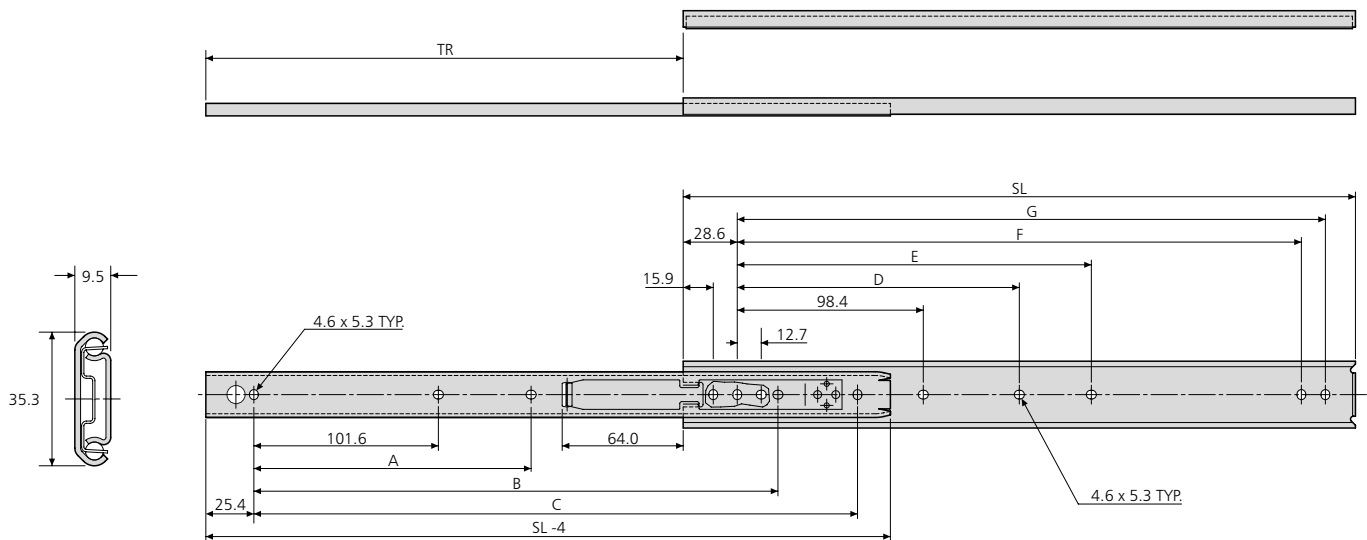
www.METALIKA-KACIN.com

- Load rating up to 65kg per pair
- 75% extension slide
- 9.5mm slide thickness
- Front disconnect
- Lock-out
- Optional enclosure mounting brackets
- Suitable for flat mounting
- Flat mounting reduces load rating by 75%
- Temperature -20°C to +70°C
- DZ - 12 hours salt spray test

- Lastwert bis 65kg pro paar
- Teilauszug
- 9,5mm Schienendicke
- Frontschnelltrennung
- Verriegelung ausgezogen
- Optionale Gehäuse-Montagewinkel
- Für Flachmontage geeignet
- Flachmontage reduziert den Lastwert um 75%
- Temperatur -20°C bis +70°C
- DZ - 12 Stunden Salzsprühtest

Notes:

- Fixing recommendation: M4 screw
- Max. head. ht. 2.5mm/Ø9.6mm
- For enclosure mounting brackets, refer to "Mounting kits and accessories" section
- For cable carriers, refer to "Mounting kits and accessories" section
- Load ratings quoted are the maximum for a pair of side mounted slides installed 450mm apart, unless otherwise stated. For more information, refer to "How to select a slide" section

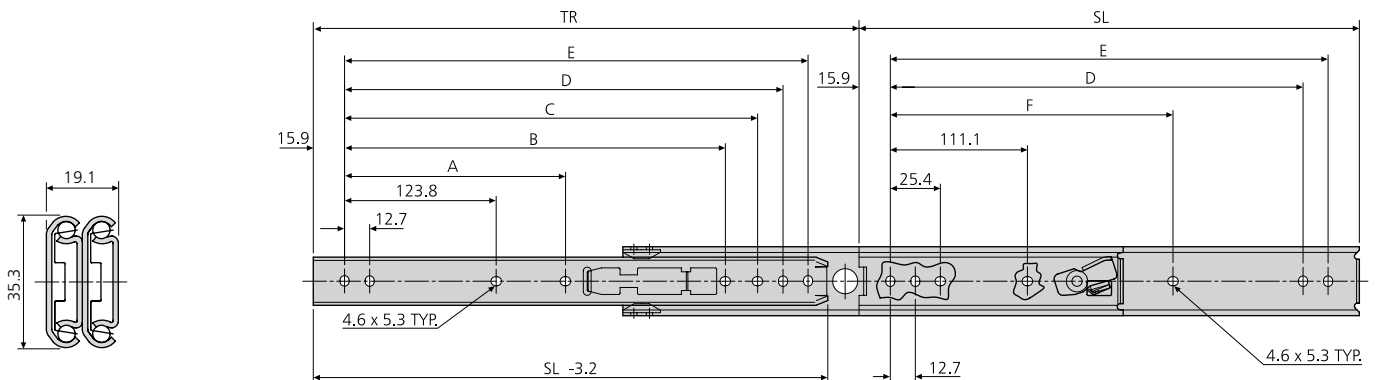


0204	mm									kg	
	SL	TR	A	B	C	D	E	F	G	W	L
DZ0204-0012	305	201.5	-	215.9	254.0	-	136.5	247.6	260.3	0.63	65
DZ0204-0014	356	252.5	-	266.7	304.8	-	187.3	298.4	311.1	0.73	65
DZ0204-0016	406	303.0	-	317.5	355.6	-	238.1	349.2	361.9	0.84	60
DZ0204-0018	457	329.0	203.2	342.9	406.4	200.0	288.9	400.0	412.7	0.93	55
DZ0204-0020	508	379.5	228.6	393.7	457.2	225.4	339.7	450.8	463.5	1.04	50
DZ0204-0022	559	405.0	254.0	419.1	508.0	250.8	390.5	501.6	514.3	1.14	40
DZ0204-0024	610	430.5	279.4	444.5	558.8	276.2	441.3	552.4	565.1	1.26	35
DZ0204-0026	660	481.5	304.8	495.3	609.6	301.6	492.1	603.2	615.9	1.35	30
DZ0204-0028	711	506.5	330.2	520.7	660.4	327.0	542.9	654.0	666.7	1.48	30

- Load rating up to 70kg
- 100%+ extension
- 19.1mm slide thickness
- Lock-out
- Front disconnect
- Optional enclosure mounting brackets
- Suitable for flat mounting
- Flat mounting reduces load rating by 75%
- Temperature -20°C to +110°C
- DZ - 12 hours salt spray test



- Lastwert bis 70kg pro paar
- Überauszug
- 19,1mm Schienendicke
- Verriegelung in ausgezogener Position
- Frontschnelltrennung
- Optionale Gehäuse-Montagewinkel
- Für Flachmontage geeignet
- Flachmontage reduziert den Lastwert um 75%
- Temperatur -20°C bis +110°C
- DZ - 12 Stunden Salzsprühtest



0305	mm								kg	
	SL	TR	A	B	C	D	E	F	W	L
DZ0305-0012	305	327.0	-	-	-	260.3	273.0	-	1.27	70
DZ0305-0014	356	378.0	-	-	298.4	311.1	323.8	-	1.46	68
DZ0305-0016	406	429.0	-	-	349.2	361.9	374.6	250.8	1.63	65
DZ0305-0018	457	479.5	212.7	-	400.0	412.7	425.4	301.6	1.88	62
DZ0305-0020	508	530.5	238.1	365.2	450.8	463.5	476.2	352.4	2.04	57
DZ0305-0022	559	581.0	263.5	415.9	501.6	514.3	527.0	403.2	2.29	52
DZ0305-0024	610	632.0	288.9	466.7	552.4	565.1	577.8	454.0	2.50	46
DZ0305-0026	660	683.0	314.3	517.7	603.2	615.9	628.6	504.8	2.67	41
DZ0305-0028	711	733.5	339.7	568.3	654.0	666.7	679.4	555.6	2.89	36

Notes:

- Fixing recommendation: M4 screw
- Max. head. ht. 2.5mm/Ø9.6mm
- For enclosure mounting brackets, refer to "Mounting kits and accessories" section
- For more information, refer to "How to select a slide" section

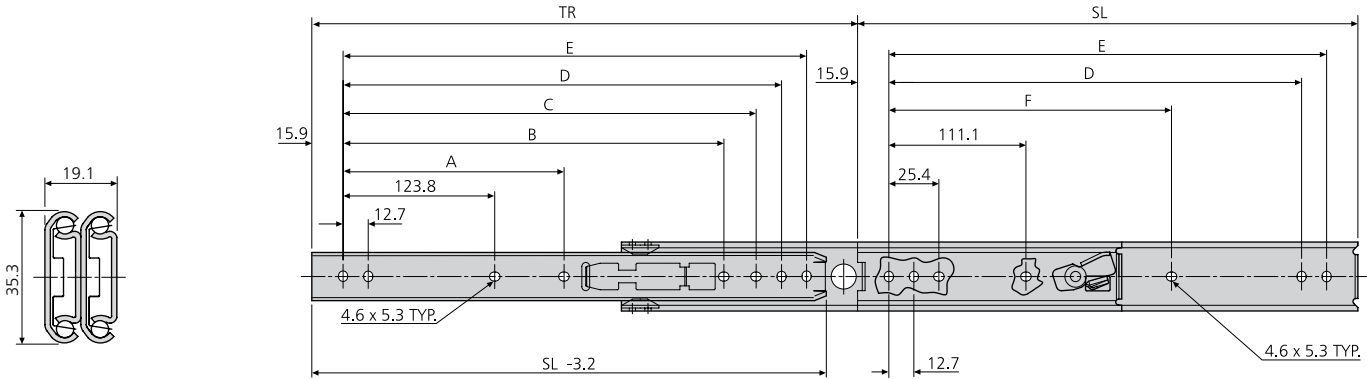
Hinweise:

- Empfohlene Befestigung: Schraube M4
- Max. Kopfhöhe 2,5mm/Ø9,6mm
- Gehäuse-Montagewinkel siehe Abschnitt 'Montage-Kits und Zubehör'
- Weitere Information siehe Abschnitt 'Schienen-Auswahl'

- High grade stainless steel
- Load rating up to 70kg per pair
- 100%+ extension
- 19.1mm slide thickness
- Lock-out
- Front disconnect
- Ideal for environments where mild steel might be subject to corrosion
- Suitable for flat mounting
- Flat mounting reduces load rating by 75%
- Temperature -20°C to +110°C



- Hochwertiger Edelstahl
- Lastwert bis 70kg pro paar
- Überauszug
- 19,1mm Schienendicke
- Verriegelung in ausgezogener Position
- Frontschnelltrennung
- Idéal pour les environnements où l'acier doux risque d'être soumis à la corrosion
- Für Flachmontage geeignet
- Flachmontage reduziert den Lastwert um 75%
- Temperatur -20°C bis +110°C



DS0305	mm								kg	
	SL	TR	A	B	C	D	E	F	W	L
DS0305-0012	305	327.0	-	-	-	260.3	273.0	-	1.27	70
DS0305-0014	356	378.0	-	-	298.4	311.1	323.8	-	1.46	68
DS0305-0016	406	429.0	-	-	349.2	361.9	374.6	250.8	1.63	65
DS0305-0018	457	479.5	212.7	-	400.0	412.7	425.4	301.6	1.88	62
DS0305-0020	508	530.5	238.1	365.2	450.8	463.5	476.2	352.4	2.04	57
DS0305-0022	559	581.0	263.5	415.9	501.6	514.3	527.0	403.2	2.29	52
DS0305-0024	610	632.0	288.9	466.7	552.4	565.1	577.8	454.0	2.50	46
DS0305-0026	660	683.0	314.3	517.7	603.2	615.9	628.6	504.8	2.67	41
DS0305-0028	711	733.5	339.7	568.3	654.0	666.7	679.4	555.6	2.89	36

Notes:

- Fixing recommendation: M4 screw
- Max. head. ht. 2.5mm/Ø9.6mm
- Load ratings quoted are the maximum for a pair of side mounted slides installed 450mm apart, unless otherwise stated. For more information, refer to "How to select a slide" section

Hinweise:

- Empfohlene Befestigung: Schraube M4
- Max. Kopfhöhe 2,5mm/Ø9,6mm
- Falls nicht anders angegeben, sind die genannten Tragkräfte die maximal erreichbaren, bei einem Paar seitlich montierten Führungen mit 450mm Schienenabstand. Weitere Information siehe Abschnitt 'Schienen-Auswahl'

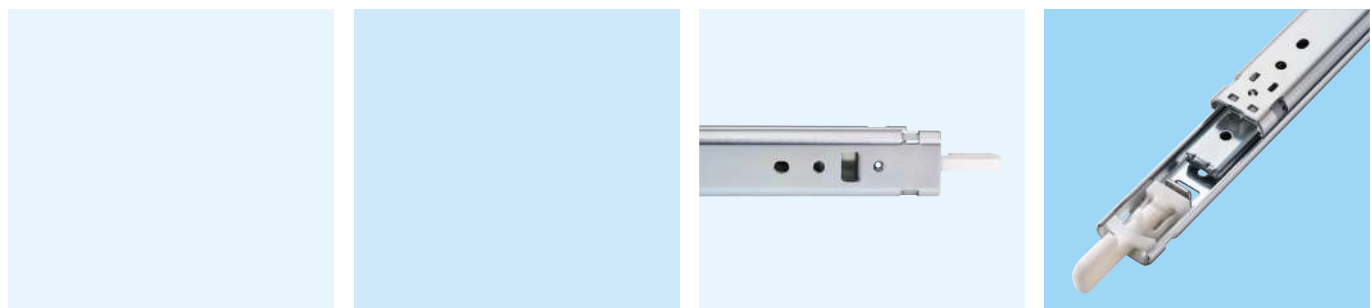
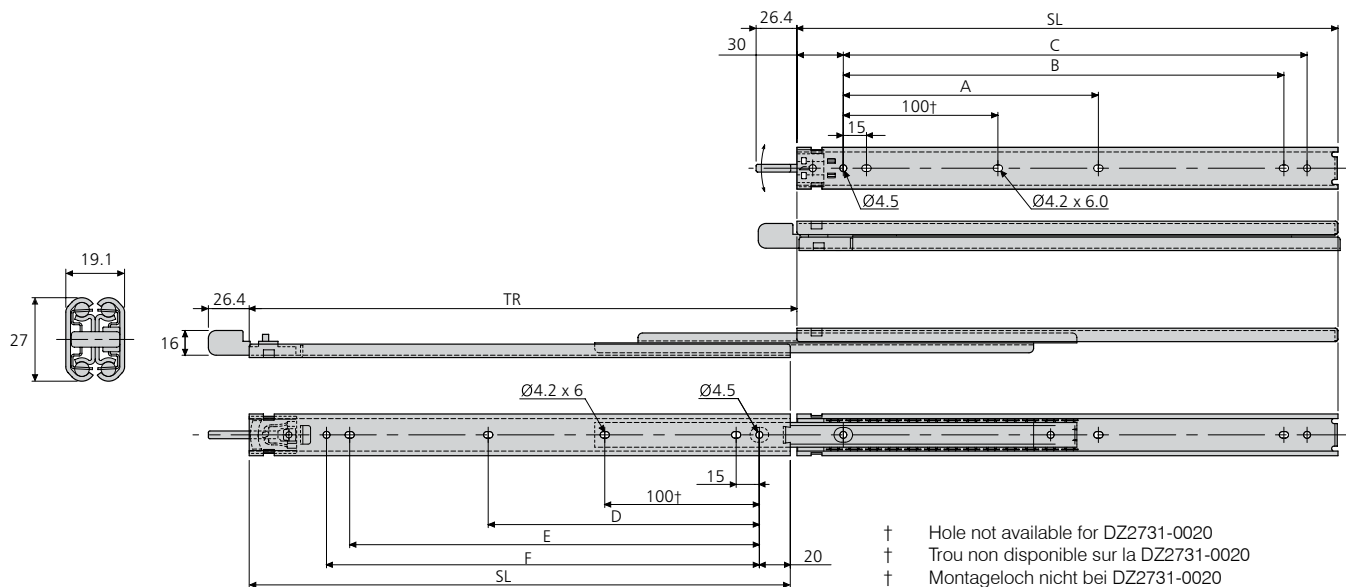
- Load rating up to 30kg per pair
- 100% extension
- 19.1mm slide thickness
- Low profile – 27mm high
- Lock-in
- Front lever lock release
- Not suitable for flat mounting
- Temperature -20°C to +70°C
- DZ - 12 hours salt spray test

80,000

- Lastwert bis 30kg pro paar
- Vollauszug
- 19,1mm Schienendicke
- Geringe Schienenhöhe: 27mm hoch
- Verriegelung in eingefahrener position
- Betätigung über Hebel
- Nicht für Flachmontage geeignet
- Temperatur -20°C bis +70°C
- DZ - 12 Stunden Salzsprühtest

Notes:

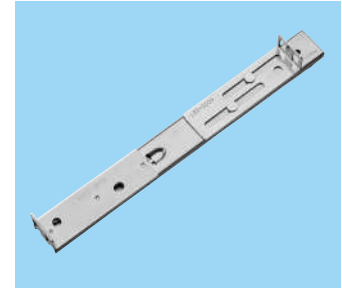
- Fixing recommendation: M4 or M3
- Max. head height 2.5mm/Ø8.3mm
- Slide is unhandred
- Load ratings quoted are the maximum for a pair of side mounted slides installed 450mm apart, unless otherwise stated. For more information, refer to "How to select a slide" section



2731CL	mm								kg	
	SL	TR±3	A	B	C	D	E	F	W	L
DZ2731-0020CL	200	207	-	135	150	-	119	130	0.561	23
DZ2731-0025CL	250	256	-	185	200	-	165	180	0.723	26
DZ2731-0030CL	300	305	-	235	250	-	215	230	0.885	30
DZ2731-0035CL	350	354	-	285	300	-	265	280	1.047	28
DZ2731-0040CL	400	404	-	335	350	-	315	330	1.209	26
DZ2731-0045CL	450	453	215	385	400	225	365	380	1.371	24
DZ2731-0050CL	500	502	240	435	450	250	415	430	1.533	22

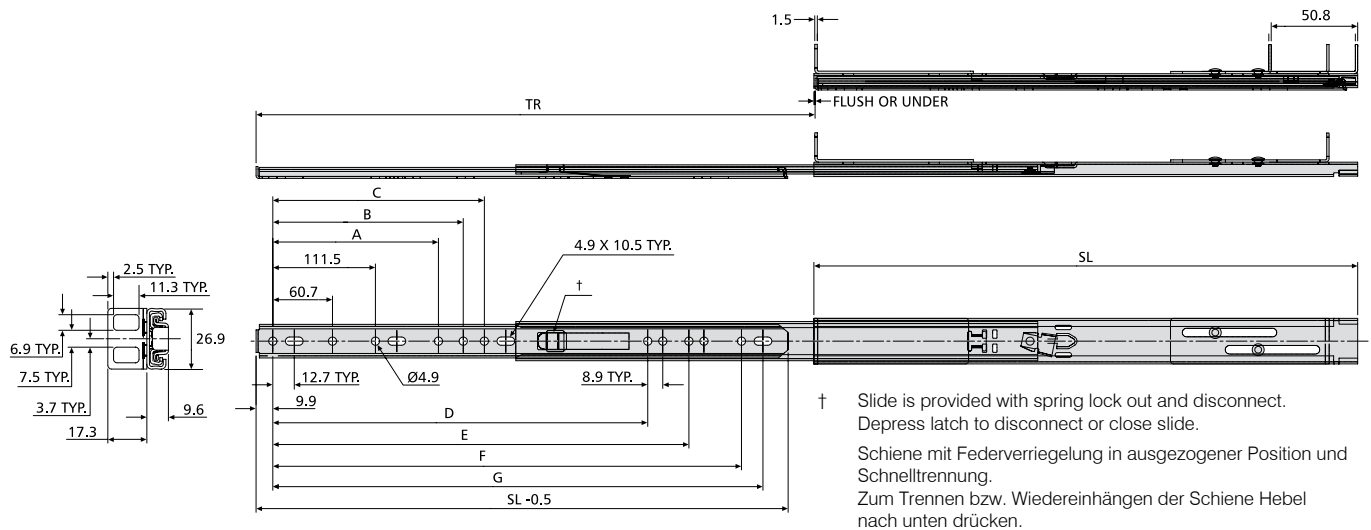
- Load rating up to 45kg per pair
- 100%+ extension
- 9.6mm slide thickness
- Lock-out
- Front disconnect
- Enclosure mounting brackets attached
- Enhanced friction movement
- Low profile for 1U and 2U applications
- Not suitable for flat mounting
- DZ - 12 hours salt spray test

2,000



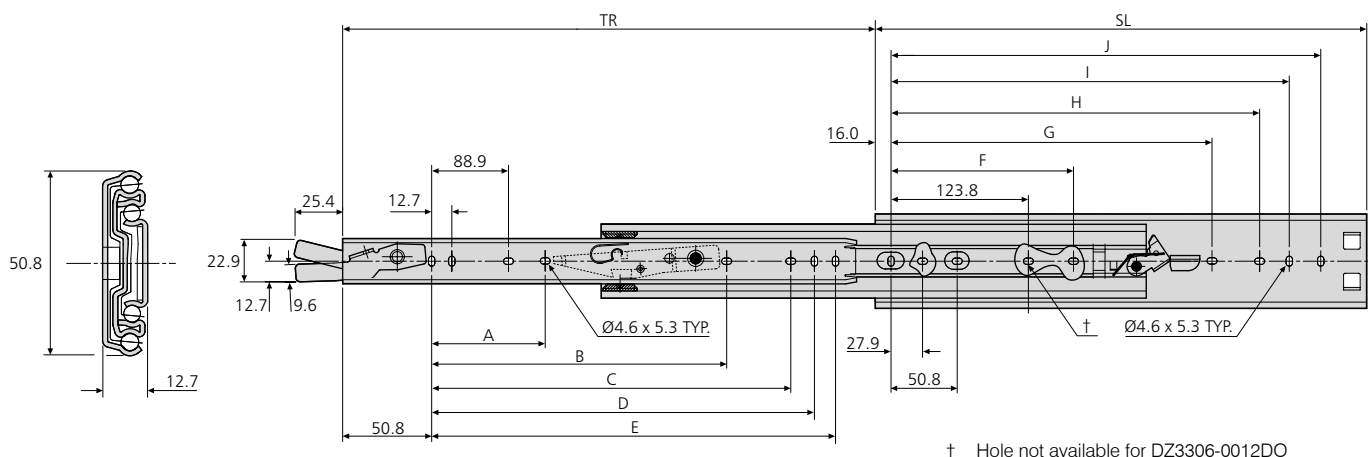
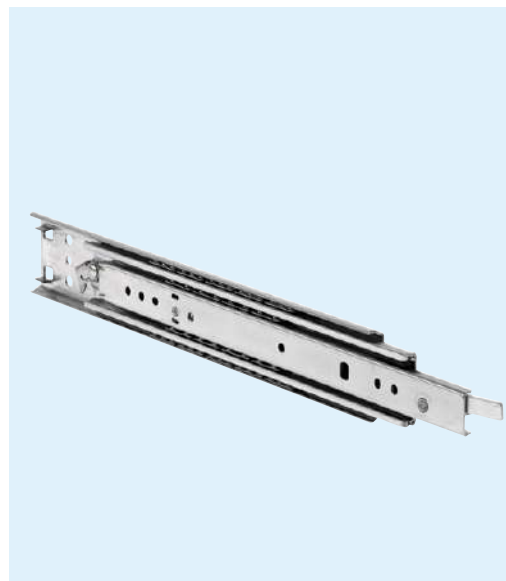
Notes:

- Load rating is based on a 254mm slide in a 406mm wide chassis cycled 2,000 times
- Each part number includes: 1 pair of slides
- Fixing recommendation: M4 or M6 button head screws with cage nuts (not supplied)
- For cable carriers, refer to "Mounting kits and accessories" section (Suitability dependent on server depth)
- Vertical (side) mounting only



DZ2807	mm									kg	
	SL	TR	A	B	C	D	E	F	G	W	L
DZ2807-0010	254	305	-	-	-	-	-	-	-	0.66	45
DZ2807-0012	305	356	-	-	-	-	-	247.6	-	0.77	45
DZ2807-0014	356	406	-	-	-	-	-	247.6	298.4	0.88	43
DZ2807-0016	406	457	162.6	171.5	-	-	-	336.5	349.2	0.99	40
DZ2807-0018	457	508	-	-	164.8	314.3	-	387.3	400.0	1.11	36
DZ2807-0020	508	559	-	172.1	203.2	356.2	-	438.1	450.8	1.22	36
DZ2807-0022	559	610	-	-	213.0	407.0	-	488.9	501.6	1.33	34
DZ2807-0024	610	660	254.0	273.7	-	-	457.8	539.7	552.4	1.44	31
DZ2807-0026	660	711	140.3	232.4	269.1	416.6	508.6	590.5	603.2	1.55	29
DZ2807-0028	711	762	191.1	283.2	304.8	467.4	559.4	641.4	654.0	1.66	27
DZ2807-0030	762	813	-	241.9	319.9	518.2	610.2	692.1	704.9	1.77	27

- Load rating up to 68kg per pair
- 100%+ extension
- 12.7mm slide thickness
- Lock-in
- Hold-out in open position
- Front disconnect
- Fixing hardware included
- Optional enclosure mounting brackets
- Suitable for flat mounting
- Flat mounting reduces load rating by 75%
- Temperature -20°C to +70°C
- DZ - 12 hours salt spray test



† Hole not available for DZ3306-0012DO

3306DO	mm												kg	
	SL	TR	A	B	C	D	E	F	G	H	I	J	W	L
DZ3306-0012DO-2	305	330	-	-	200.1	212.8	225.5	-	-	209.5	234.9	260.3	1.28	68
DZ3306-0014DO-2	356	381	-	-	250.9	263.6	276.3	-	-	260.3	285.7	311.1	1.54	67
DZ3306-0016DO-2	406	432	-	-	301.7	314.4	327.1	-	-	311.1	336.5	361.9	1.71	67
DZ3306-0018DO-2	457	483	143.0	279.4	352.5	365.2	377.9	177.8	314.4	361.9	387.3	412.7	1.93	66
DZ3306-0020DO-2	508	533	168.4	330.2	403.3	416.0	428.7	203.2	365.2	412.7	438.1	463.5	2.15	66
DZ3306-0022DO-2	559	584	193.8	381.0	454.1	466.8	479.5	228.6	416.0	463.5	488.9	514.3	2.38	64
DZ3306-0024DO-2	610	635	219.2	431.8	504.9	517.6	530.3	254.0	466.8	514.3	539.7	565.1	2.57	61
DZ3306-0026DO-2	660	686	244.6	482.6	555.7	568.4	581.1	279.4	517.6	565.1	590.5	615.9	2.83	58
DZ3306-0028DO-2	711	737	270.0	533.4	606.5	619.2	631.9	304.8	568.4	615.9	641.3	666.7	3.05	55



DZ63480-4



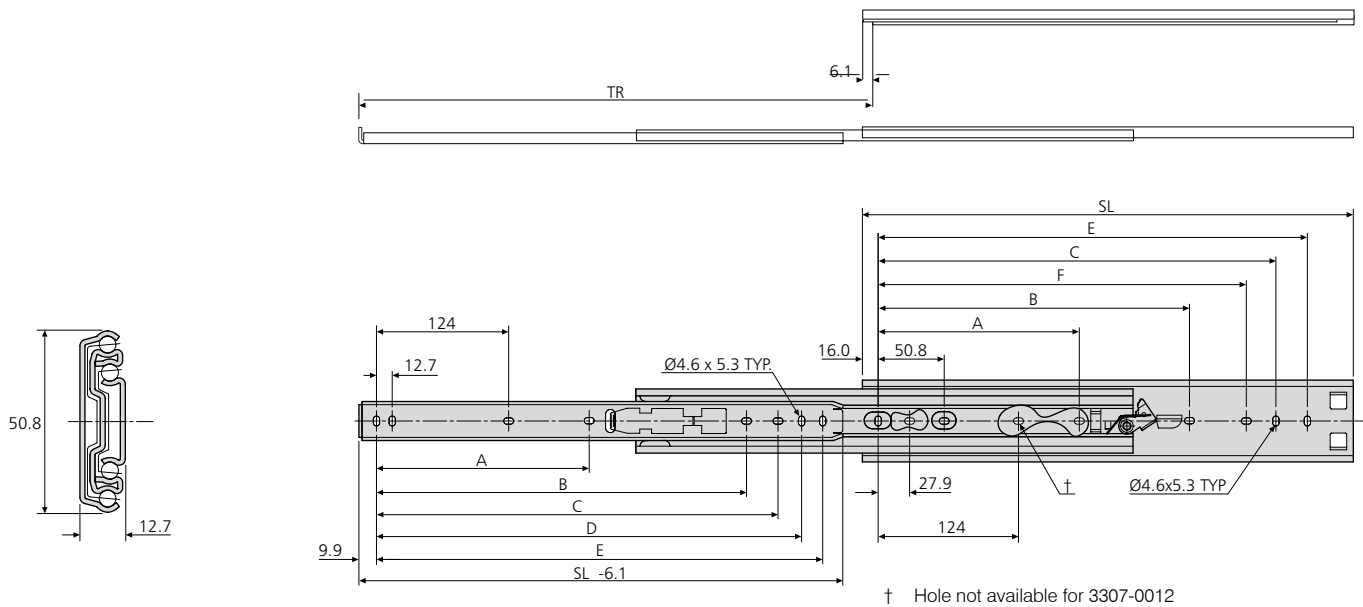
Notes:

- Handed slide assembly
- Fixing hardware included
- For enclosure mounting brackets, refer to "Mounting kits and accessories" section
- For cable carriers, refer to "Mounting kits and accessories" section
- Load ratings quoted are the maximum for a pair of side mounted slides installed 450mm apart, unless otherwise stated. For more information, refer to "How to select a slide" section

- Load rating up to 68kg per pair
- 100%+ extension
- 12.7mm slide thickness
- Front disconnect
- Lock-out
- Fixing hardware included
- Optional enclosure mounting brackets
- Suitable for flat mounting
- Flat mounting reduces load rating by 75%
- Temperature -20°C to +70°C
- DZ - 12 hours salt spray test



- Lastwert bis 68kg pro paar
- Überauszug
- 12,7mm Schienendicke
- Frontschnelltrennung
- Verriegelung ausgezogen
- Befestigungsteile inbegriffen
- Optionale Gehäuse-Montagewinkel
- Für Flachmontage geeignet
- Flachmontage reduziert den Lastwert um 75%
- Temperatur -20°C bis +70°C
- DZ - 12 Stunden Salzsprühtest



3307	mm								kg	
	SL	TR	A	B	C	D	E	F	W	L
DZ3307-0012-2	305	330	-	-	234.9	247.6	260.3	209.5	1.32	68
DZ3307-0014-2	356	381	-	-	285.7	298.4	311.1	260.3	1.51	67
DZ3307-0016-2	406	432	-	-	336.5	349.2	361.9	311.1	1.73	67
DZ3307-0018-2	457	483	177.8	314.5	387.3	400.0	412.7	361.9	1.94	66
DZ3307-0020-2	508	533	203.2	365.2	438.1	450.8	463.5	412.7	2.16	66
DZ3307-0022-2	559	584	228.6	416.0	488.9	501.6	514.3	463.5	2.39	64
DZ3307-0024-2	610	635	254.0	466.8	539.7	552.4	565.1	514.3	2.60	61
DZ3307-0026-2	660	686	279.4	517.7	590.6	603.3	615.9	565.1	2.81	58
DZ3307-0028-2	711	737	304.8	568.5	641.4	654.1	666.8	616.0	3.04	55



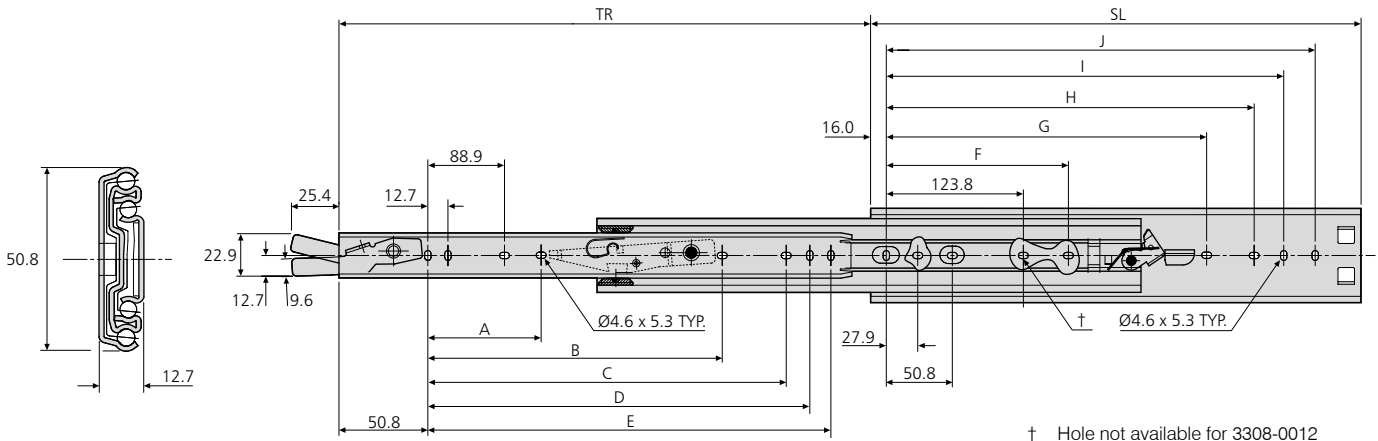
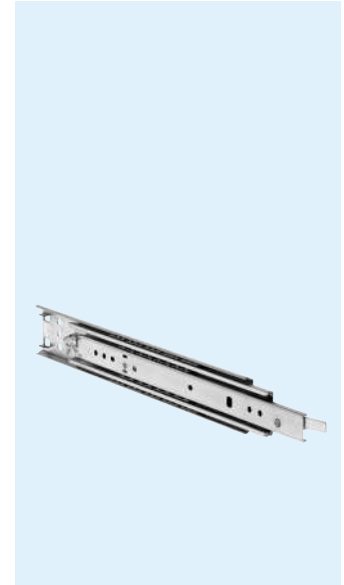
Notes:

- For enclosure mounting brackets, refer to "Mounting kits and accessories" section
- For cable carriers, refer to "Mounting kits and accessories" section
- Load ratings quoted are the maximum for a pair of side mounted slides installed 450mm apart, unless otherwise stated. For more information, refer to "How to select a slide" section

- Load rating up to 68kg per pair
- 100%+ extension
- 12.7mm slide thickness
- Lock-in
- Lock-out
- Front disconnect
- Fixing hardware included
- Optional enclosure mounting brackets
- Suitable for flat mounting
- Flat mounting reduces load rating by 75%
- Temperature -20°C to +70°C
- DZ - 12 hours salt spray test



- Lastwert bis 68kg pro paar
- Überauszug
- 12,7mm Schienendicke
- Verriegelung in eingezogener position
- Verriegelung in ausgezogener Position
- Frontschnelltrennung
- Befestigungsteile inbegriffen
- Optionale Gehäuse-Montagewinkel
- Für Flachmontage geeignet
- Flachmontage reduziert den Lastwert um 75%
- Temperatur -20°C bis +70°C
- DZ - 12 Stunden Salzsprühstest



3308	mm												kg	
	SL	TR	A	B	C	D	E	F	G	H	I	J	W	L
DZ3308-0012-2	305	330	-	-	200.1	212.8	225.5	-	-	209.5	234.9	260.3	1.32	68
DZ3308-0014-2	356	381	-	-	250.9	263.6	276.3	-	-	260.3	285.7	311.1	1.54	67
DZ3308-0016-2	406	432	-	-	301.7	314.4	327.1	-	-	311.1	336.5	361.9	1.75	67
DZ3308-0018-2	457	483	143.0	279.4	352.5	365.2	377.9	177.8	314.4	361.9	387.3	412.7	1.96	66
DZ3308-0020-2	508	533	168.4	330.2	403.3	416.0	428.7	203.2	365.2	412.7	438.1	463.5	2.19	66
DZ3308-0022-2	559	584	193.8	381.0	454.1	466.8	479.5	228.6	416.0	463.5	488.9	514.3	2.37	64
DZ3308-0024-2	610	635	219.2	431.8	504.9	517.6	530.3	254.0	466.8	514.3	539.7	565.1	2.63	61
DZ3308-0026-2	660	686	244.6	482.6	555.7	568.4	581.1	279.4	517.6	565.1	590.5	615.9	2.86	58
DZ3308-0028-2	711	737	270.0	533.4	606.5	619.2	631.9	304.8	568.4	615.9	641.3	666.7	3.05	55



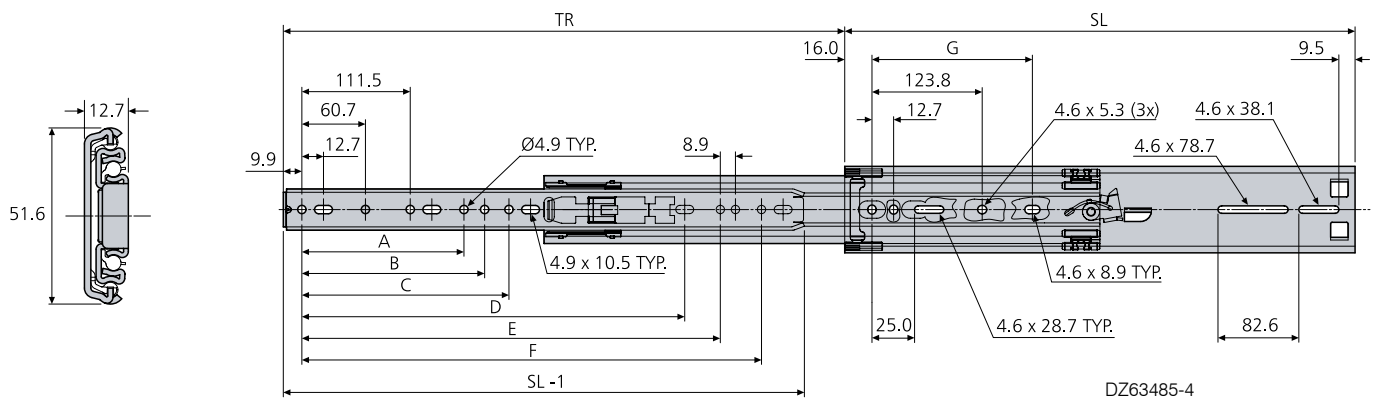
Notes:

- Handed slide assembly
- Fixing hardware included
- For enclosure mounting brackets, refer to "Mounting kits and accessories" section
- For cable carriers, refer to "Mounting kits and accessories" section
- Load ratings quoted are the maximum for a pair of side mounted slides installed 450mm apart, unless otherwise stated. For more information, refer to "How to select a slide" section

- Load rating up to 82kg per pair
- 100%+ extension
- 12.7mm slide thickness
- Lock-out
- Pinch-free, spring disconnect makes drawer removal and reinsertion easy
- One-Motion Insertion™ simplifies reinsertion and installation of heavier loads
- Optional enclosure mounting brackets
- For 2 to 8U chassis
- Suitable for flat mounting
- Flat mounting reduces load rating by 75%
- Temperature -20°C to +70°C
- DZ - 12 hours salt spray test



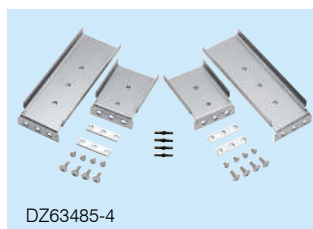
- Lastwert bis 82kg pro paar
- Überauszug
- 12,7mm Schienendicke
- Verriegelung ausgezogen
- Klemmfreie Trennung vereinfacht Herausnahme und Einsetzen von Schüben
- One-Motion Insertion™ vereinfacht Einsetzen und Installation schwererer Lasten
- Optionale Gehäuse-Montagewinkel
- Für Einbauhöhen 2U bis 8U
- Für Flachmontage geeignet
- Flachmontage reduziert den Lastwert um 75%
- Temperatur -20°C bis +70°C
- DZ - 12 Stunden Salzsprühstest



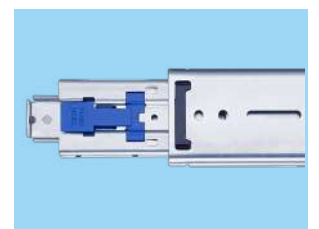
3507	mm									kg	
	SL	TR	A	B	C	D	E	F	G	W	L
DZ3507-0016	406	457	-	-	-	-	162.6	336.5	153.7	1.75	71
DZ3507-0018	457	508	-	-	164.8	-	-	387.3	178.8	2.01	76
DZ3507-0020	508	559	-	172.1	203.2	-	-	438.1	203.8	2.24	80
DZ3507-0022	559	610	-	-	213.0	-	407.0	488.9	228.8	2.46	82
DZ3507-0024	610	660	254.0	273.7	-	-	457.8	539.7	253.8	2.70	81
DZ3507-0026	660	711	140.3	232.4	269.1	-	508.6	590.5	278.7	2.94	78
DZ3507-0028	711	762	191.1	283.2	304.8	526.0	559.4	641.4	303.8	3.16	73
DZ3507-0030	762	813	-	241.9	319.9	527.1	610.2	692.1	328.8	3.40	67

Notes:

- Fixing recommendation: M4 screw.
- Max head ht. 2.5mm/Ø9.6mm
- For enclosure mounting brackets, refer to "Mounting kits and accessories" section
- For cable carriers, refer to "Mounting kits and accessories" section
- Load ratings quoted are the maximum for a pair of side mounted slides installed 450mm apart, unless otherwise stated. For more information, refer to "How to select a slide" section



DZ63485-4



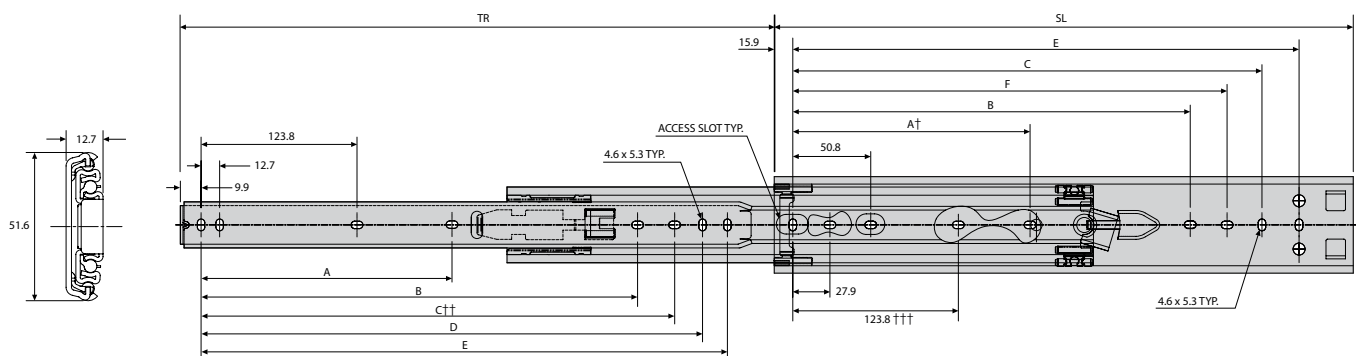
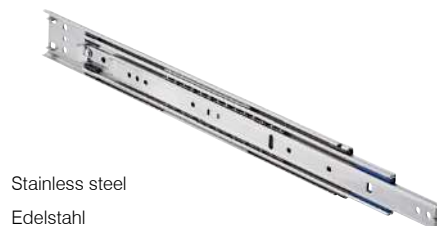
- Material: Stainless Steel Grade 316
- Load rating up to 90kg per pair
- 100%+ extension
- 12.7mm slide thickness
- Lock-out
- Pinch free, spring disconnect makes drawer removal and reinsertion easy
- Suitable for flat mounting
- Flat mounting reduces load rating by 75%
- Temperature -20°C to +70°C



- Material: Edelstahlqualität X5CrNiMo18-10 (AISI 316)
- Lastwert bis 90kg pro paar
- Überauszug
- 12,7mm Schienendicke
- Verriegelung ausgezogen
- Klemmfreie Trennung vereinfacht Herausnahme und Einsetzen von Schüben
- Für Flachmontage geeignet
- Flachmontage reduziert den Lastwert um 75%
- Temperatur -20°C bis +70°C

Notes:

- Fixing recommendations: M4 screw.
- Max head height 2.5mm/Ø9.6mm
- Load ratings quoted are the maximum for a pair of side mounted slides installed 400mm apart. For more information, refer to "How to select a slide" section



† DS3557-0022, DS3557-0024, DS3557-0026
Outer member/Brin extérieur/Außenschiene

††† Hole not available for DS3557-0012, DS3557-0014
Trou non disponible sur la DS3557-0012, DS3557-0014
Montageloch nicht bei DS3557-0012, DS3557-0014

†† Hole not available for DS3557-0012
Trou non disponible sur la DS3557-0012
Montageloch nicht bei DS3557-0012



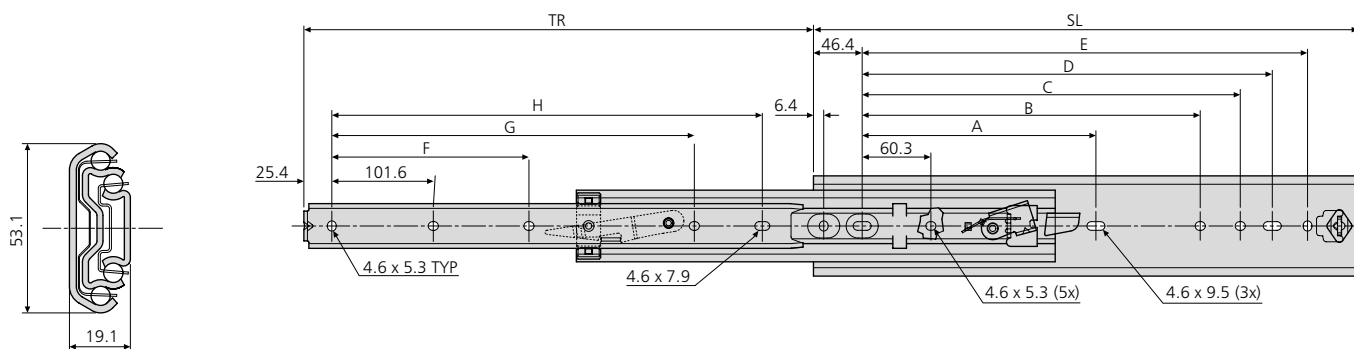
DS3557	mm								kg	
	SL	TR	A	B	C	D	E	F	W	L
DS3557-0012	305	330	-	-	235.0	247.7	260.4	209.6	1.4	56
DS3557-0014	356	381	-	-	285.8	298.5	311.2	260.4	1.6	68
DS3557-0016	406	432	-	-	336.6	349.3	362.0	311.2	1.8	80
DS3557-0018	457	483	177.8	314.4	387.4	400.1	412.8	362.0	2.0	85
DS3557-0020	508	533	203.2	365.3	438.2	450.9	463.6	412.8	2.2	90
DS3557-0022	559	584	228.6	416.1	489.0	501.7	514.4	463.6	2.5	90
DS3557-0024	610	635	254.0	466.9	539.8	552.5	565.2	514.4	2.7	90
DS3557-0026	660	686	279.4	517.7	590.6	603.3	616.0	565.2	2.9	87

- Load rating up to 120kg per pair
- 100% extension
- 19.1mm slide width
- Lock-out
- Front disconnect
- Fixing hardware included
- Optional enclosure mounting brackets
- Not suitable for flat mounting
- Temperature -20°C to +70°C
- DZ - 12 hours salt spray test



Notes:

- *Handed slide assembly – levers move in same direction when pair of slides installed*
- *Vertical (side) mounting only*
- *Fixing hardware included*
- *For enclosure mounting brackets see ‚DZ65490-4‘*
- *Load ratings quoted are the maximum for a pair of side mounted slides installed 450mm apart, unless otherwise stated. For more information, refer to "How to select a slide" section*



3607	mm										kg	
	SL	TR	A	B	C	D	E	F	G	H	W	L
DZ3607-0012-2	305	305	-	135.4	179.1	204.5	229.9	-	-	228.6	1.79	90
DZ3607-0014-2	356	356	-	186.2	229.9	255.3	280.7	-	-	279.4	2.08	90
DZ3607-0016-2	406	406	-	237.0	280.7	306.1	331.5	-	257.3	330.2	2.50	100
DZ3607-0018-2	457	457	-	287.8	331.5	356.9	382.3	-	308.1	381.0	2.71	110
DZ3607-0020-2	508	508	215.9	338.6	382.3	407.7	433.1	203.2	358.9	431.8	3.02	120
DZ3607-0022-2	559	559	241.3	389.4	433.1	458.5	483.9	228.6	409.7	482.6	3.32	110
DZ3607-0024-2	610	610	266.7	440.2	483.9	509.3	534.7	254.0	460.5	533.4	3.63	100
DZ3607-0026-2	660	660	292.1	491.0	534.7	560.1	585.5	279.4	511.3	584.2	3.95	92
DZ3607-0028-2	711	711	317.5	541.8	585.5	610.9	636.3	304.8	562.1	635.0	4.22	83

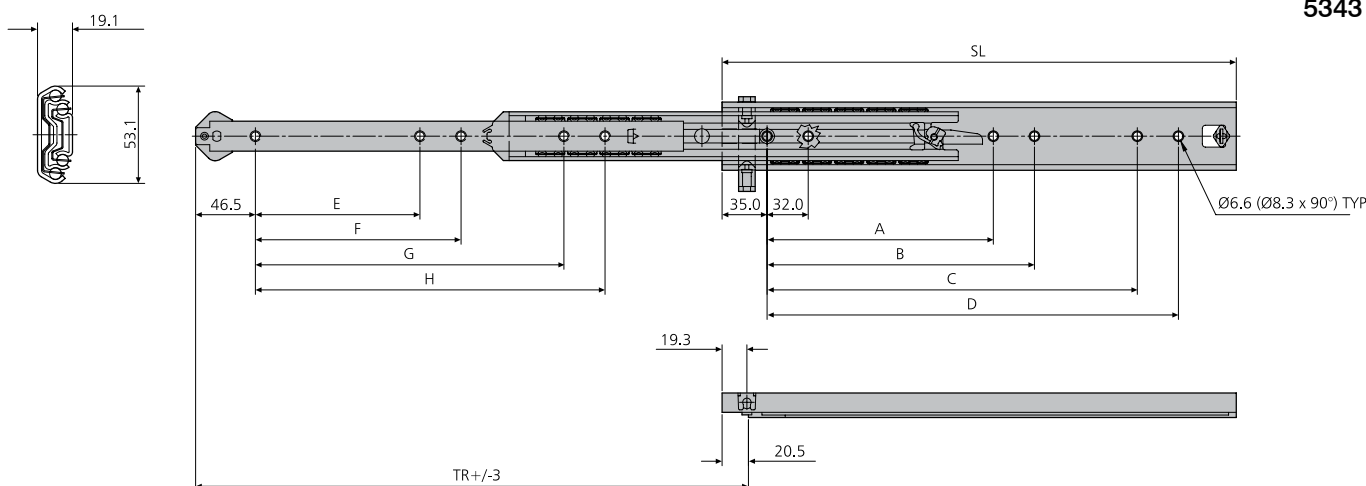
- Interlock slide (anti-tilt) with locking option
- Load rating up to 100kg per pair
- 100% extension
- 19.1mm slide thickness
- Slides sold singly
- Can be used on both sides of drawer or with companion slide 5344
- Suitable for drawers up to 1000mm wide
- Hold-in
- Not suitable for flat mounting
- Temperature -20°C to +70°C
- DZ - 12 hours salt spray test

- Kippsicherung mit Optionale Verschluss Bausatz
- Lastwert bis 100kg pro paar
- Vollauszug
- 19,1mm Schienendicke
- Schienen einzeln erhältlich
- Kann auf beiden Seiten der Schublade oder mit Begleitschiene 5344 verwendet werden
- Passend für Schubladenbreiten bis 1000mm
- Rastung in geschlossener Position
- Nicht für Flachmontage geeignet
- Temperatur -20°C bis +70°C
- DZ - 12 Stunden Salzsprühtest

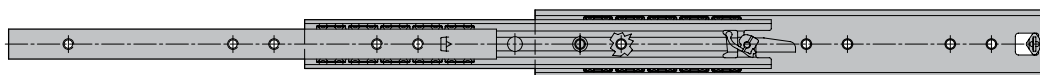


80,000

5343



5344



5343	mm										kg			
	SL	TR	A	B	C	D	E	F	G	H	5343 W	5344 W	L (<800mm*)	L (<1000mm*)
DZ5343-0035-1	350.0	355.0	-	-	224.0	256.0	-	96.0	-	256.0	1.00	0.95	85	75
DZ5343-0040-1	400.0	430.0	-	192.0	288.0	320.0	128.0	160.0	-	320.0	1.14	1.09	90	80
DZ5343-0045-1	450.0	480.0	-	224.0	320.0	352.0	160.0	192.0	288.0	320.0	1.28	1.25	95	85
DZ5343-0050-1	500.0	530.0	224.0	256.0	384.0	416.0	192.0	224.0	352.0	384.0	1.44	1.40	100	90
DZ5343-0055-1	550.0	580.0	256.0	288.0	416.0	448.0	192.0	224.0	384.0	416.0	1.59	1.55	95	85
DZ5343-0060-1	600.0	630.0	288.0	320.0	480.0	512.0	224.0	256.0	448.0	480.0	1.74	1.70	85	75
DZ5343-0065-1	650.0	680.0	320.0	352.0	544.0	576.0	256.0	288.0	480.0	512.0	1.90	1.86	80	70
DZ5343-0070-1	700.0	730.0	352.0	384.0	576.0	608.0	288.0	320.0	544.0	576.0	2.05	2.01	70	60

* Drawer width / Largeur de tiroir / Schubladenbreite

Kit includes:

1 x interlock slide
 1 x 6mm Ø rod x 300mm. Cut rod to suit required pitch

Optional companion slide:

Order code: DZ5344-00xx (1 x slide)

Optional lock kit:

Order code: DB65050-1

Bausatz besteht aus:

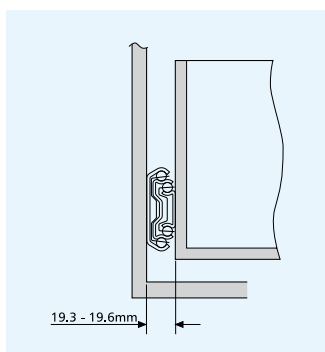
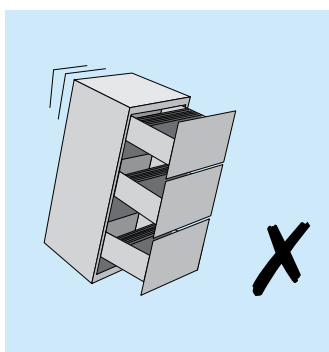
1 x Schiene mit Kippsicherung
 1 x 6mm Stange Ø 300mm. Stange bei geringerem Abstand zuschneiden

Optionale Begleitschiene:

Bestellnummer: DZ5344-00xx (1 x Schiene)

Optionaler Verschluss Bausatz:

Bestellnummer: DB65050-1

**Notes:**

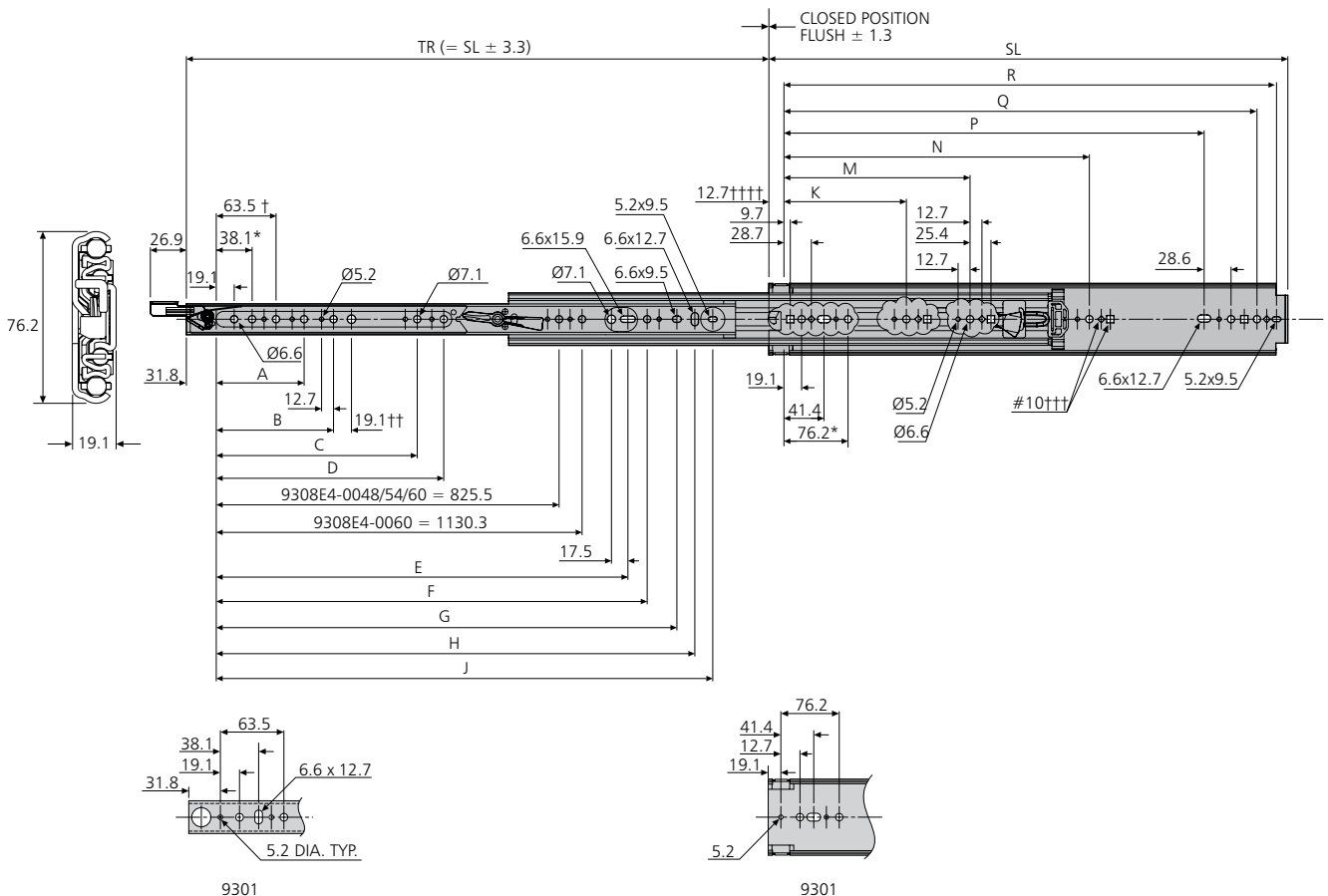
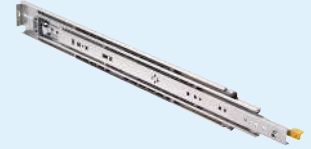
- *Fixing recommendation: 4mm countersunk woodscrew/6mm Euro screw*
- *We recommend that 2 x interlock slides (5343) are used on drawers 800-1000mm wide. For smaller drawers, use 5344 as a companion slide*
- *Vertical (side) mounting only*

Hinweise:

- *Empfohlene Befestigung: Senkholzschraube 4mm/Euro-Schraube 6mm*
- *Wir empfehlen, bei 800mm-1000mm breiten Schubladen 2 Schienen mit Kippsicherung (5343) zu verwenden. Bei kleineren Schubladen wird 5344 als Begleitschiene verwendet*
- *Nur Vertikalmontage*

- Load rating up to 272kg per pair
- 100% extension
- 19.1mm slide thickness
- Slides sold singly
- Lock-in
- Lock-out
- Front lever lock release
- Optional bracket accessory kits for various mounting options
- Not suitable for flat mounting
- Temperature -20°C to +70°C
- DZ - 12 hours salt spray test

- Lastwert bis 272kg pro paar
- Vollauszug
- 19,1mm Schienendicke
- Schienen einzeln erhältlich
- Verriegelung in eingefahrener position
- Verriegelung in ausgezogener Position
- Betätigung über Hebel
- Optionale Winkelzubehörsätze für diverse Montagemöglichkeiten
- Nicht für Flachmontage geeignet
- Temperatur -20°C bis +70°C
- DZ - 12 Stunden Salzsprühstest



* Hole not available for 9308E4-0010
Montageloch nicht bei 9308E4-0010

† Hole not available for 9308E4-0010/12
Montageloch nicht bei 9308E4-0010/12

†† Hole not available for 9308E4-0022
Montageloch nicht bei 9308E4-0022

††† Carriage bolt cut out
Ausschnitt für Schlossschraube

†††† Reference dimension, no hole available
Nur Bezugsmaß, kein Montageloch



9308-E4	mm																		kg**	
	SL	TR	A	B	C	D	E	F	G	H	J	K	M	N	P	Q	R	W	L	
DZ9308-0010*-E4	254.0	254.0	-	-	-	-	-	103.1	128.5	147.6	166.6	-	-	-	152.4	209.6	228.6	1.22	272	
DZ9308-0012*-E4	304.8	304.8	-	-	-	-	-	153.9	179.3	198.4	-	-	-	-	203.2	260.4	279.4	1.46	272	
DZ9308-0014*-E4	355.6	355.6	-	-	-	-	-	204.7	230.1	249.2	-	-	-	-	254.0	311.2	330.2	1.71	272	
DZ9308-0016*-E4	406.4	406.4	-	-	-	-	-	255.5	280.9	300.0	-	-	-	-	304.8	362.0	381.0	1.97	272	
DZ9308-0018*-E4	457.2	457.2	127.0	-	-	-	-	306.3	331.7	350.8	-	-	-	-	355.6	412.8	431.8	2.21	272	
DZ9308-0020*-E4	508.0	508.0	127.0	-	-	-	296.9	357.1	382.5	401.6	-	-	-	-	406.4	463.6	482.6	2.45	272	
DZ9308-0022*-E4	558.8	558.8	127.0	190.5	-	-	347.7	407.9	433.3	452.4	-	-	-	-	457.2	514.4	533.4	2.69	272	
DZ9308-0024*-E4	609.6	609.6	127.0	190.5	-	-	398.5	458.7	484.1	503.2	-	-	-	-	508.0	565.2	584.2	2.96	267	
DZ9308-0026*-E4	660.4	660.4	127.0	190.5	-	-	449.3	509.5	534.9	554.0	-	-	-	-	558.8	616.0	635.0	3.20	264	
DZ9308-0028*-E4	711.2	711.2	127.0	190.5	-	-	500.1	560.3	585.7	604.8	-	-	-	-	609.6	666.8	685.8	3.46	261	
DZ9308-0030*-E4	762.0	762.0	127.0	190.5	-	-	550.9	611.1	636.5	655.6	-	235.0	-	501.7	660.4	717.6	736.6	3.71	258	
DZ9308-0032*-E4	812.8	812.8	127.0	190.5	-	-	601.7	661.9	687.3	706.4	-	235.0	-	552.5	711.2	768.4	787.4	3.98	256	
DZ9308-0034*-E4	863.6	863.6	127.0	190.5	-	520.7	652.5	712.7	738.1	757.1	-	235.0	-	603.2	762.0	819.1	838.2	4.22	253	
DZ9308-0036*-E4	914.4	914.4	127.0	190.5	368.3	520.7	703.3	763.5	788.9	807.9	-	235.0	-	654.1	812.8	869.9	889.0	4.49	248	
DZ9308-0040*-E4	1016.0	1016.0	127.0	190.5	368.3	-	804.9	865.1	890.5	909.5	-	235.0	-	755.7	914.4	971.5	990.6	5.03	237	
DZ9308-0042*-E4	1066.8	1066.8	127.0	190.5	368.3	-	855.7	915.9	941.3	960.4	-	235.0	-	806.5	965.2	1022.4	1041.4	5.27	228	
DZ9308-0044*-E4	1117.6	1117.6	127.0	190.5	368.3	520.7	906.5	966.7	992.1	1011.2	1030.2	235.0	546.1	857.3	1016.0	1073.2	1092.2	5.49	218	
DZ9308-0048*-E4	1219.2	1219.2	127.0	190.5	368.3	520.7	1008.1	1068.3	1093.7	1112.8	-	235.0	-	958.9	1117.6	1174.8	1193.8	6.00	204	
DZ9308-0054*-E4	1371.6	1371.6	127.0	190.5	368.3	520.7	1160.5	1220.8	1246.2	1265.2	-	235.0	-	958.9	1270.0	1327.2	1346.2	6.79	196	
DZ9308-0060*-E4	1524.0	1524.0	127.0	190.5	368.3	520.7	1312.9	1373.1	1398.5	1417.8	-	235.0	596.9	958.9	1422.4	1479.5	1498.6	7.54	182	

* Specify 'L' for left hand locking slide and 'R' for right hand locking slide, e.g. DZ9308-0010L-E4
 Geben Sie 'L' für linke Schiene mit Verriegelung und 'R' für rechte Schiene mit Verriegelung an, z.B. DZ9308-0010L-E4

** Load rating per pair of slides, weight per individual slide
 Lastwert pro Schienenpaar, Gewicht je Schiene

Notes:

- Load ratings vary depending upon application. Refer to '9301-E/9308-E4 Load ratings' section
- Fixing recommendation: Hex head or pan head M5 screws for 5.2mm holes/M6 screws for 6.6mm holes #10 carriage bolt for diamond and square holes
- The maximum dimensions of the screw head are 4.8 mm in height and 12.7 mm in diameter. With larger screw heads, there is a risk of collision with the moving parts of the rail when it is moved
- Vertical (side) mounting only
- Use slide 9301 as a non-locking companion slide.
- For applications requiring a lock on both sides, order an equal amount of 'L' and 'R' slides
- For bracket accessory kit see 634xx

Hinweise:

- Lastwerte können je nach Anwendung variieren. Siehe Abschnitt '9301-E/9308-E4 Lastwerte'
- Fixierungsempfehlung: Sechskant- oder Flachkopfschrauben M5 für 5,2-mm-Löcher/ M6-Schrauben für 6,6-mm-Löcher/ #10 Schlossschraube für Diamant- und Vierkantlöcher
- Die maximalen Abmessungen des Schraubenkopfes sind 4,8mm Höhe und 12,7mm Durchmesser. Bei größeren Schraubenköpfen besteht das Risiko, bei Bewegung der Schiene mit den anderen Schienenteilen zu kollidieren
- Nur Vertikalmontage
- Verwenden Sie Schiene 9301 als Begleitschiene ohne Verriegelung
- Für beidseitige Verriegelung bestellen Sie 1 Paar L und R
- Winkelzubehörsatz siehe 634xx

The Accuride load ratings shown below represent a wide range of typical applications and take into consideration factors which can adversely affect the performance of the slide.

In general, slides installed in drawers that are wider than they are deep are subjected to lateral (side) stresses that reduce their load carrying capacity. Likewise, slides in applications that are cycled frequently also carry a lower load rating.

Moderate use	up to 272kg Load rating is based on a 558.8mm slide in a 609.6mm wide drawer, cycled 10,000 times. A computer server storage unit may be cycled once per month for servicing. Electronic instrumentation may be cycled a few times each week.
Typical applications	Computer server storage access / Electronic instrumentation chassis
Frequent use	up to 217kg Load rating is based on a 558.8mm slide in a 1000mm wide drawer, cycled 75,000 times. A storage drawer opened and closed an average of three times per hour during each eight hour work day would undergo a total of 60,000 cycles in 10 years.
Typical applications	Heavy duty storage drawers / Large pantry pull-outs / Modular storage cabinets
Mobile (Vehicular)	up to 163kg Load rating is based on a 558.8mm slide in a 800mm wide drawer, cycled 10,000 times. Use for any application associated with transportation, or any application exposed to vibration and rough usage. We recommend that an additional safety lock device is used on the 9308.
Typical applications	Recreational vehicle drawers / Vehicle battery trays / Service truck tool drawers
Flat mount (not 9308)	up to 54kg with slide length up to 28" (711mm) Load rating is based on a 558.8mm slide in a 800mm wide drawer, cycled 10,000 times. Deflection of flat mounted slides will vary depending upon the application. We recommend prototyping to determine that the deflection is within an acceptable range. Use anywhere side space is limited.
Typical applications	Flight status monitor cabinets
Caution:	This slide must never be used as a pull-out step, platform or any other application supporting human weight.

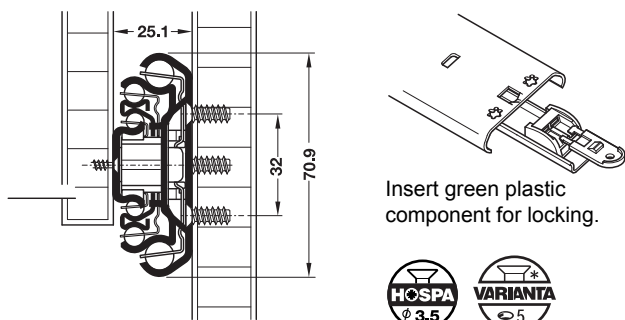
Overextension

Load bearing capacity up to 100 kg

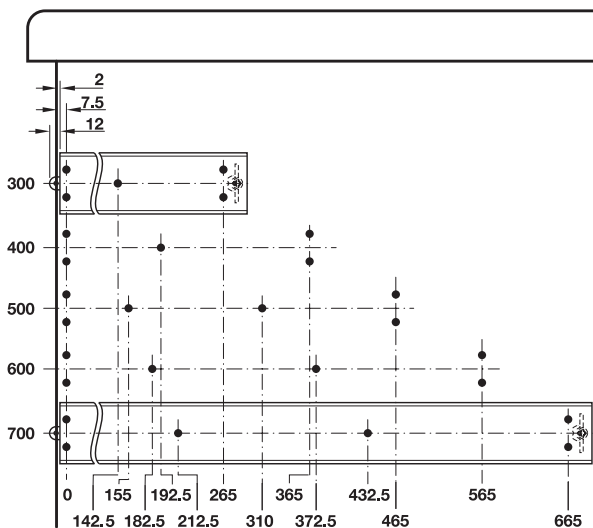


- > Area of application: For full access in hard-to-reach areas
- > Version: With hold-in device for holding in closed position, with lock in closed position (optional)
- > Material: Steel
- > Finish: Galvanized
- > Dim.: Max. drawer width = internal cabinet width – 51 mm
- > Installation: At drawer side

Installation



Drilling pattern



Supplied with

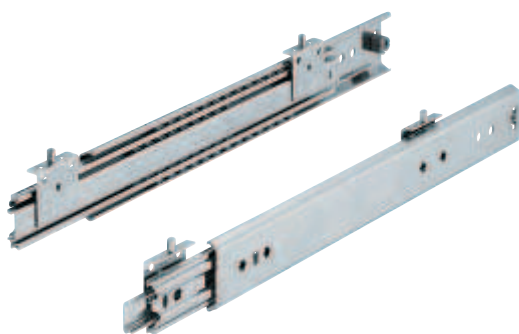
- 1 Pair of runners
- 1 Pair of plastic components for locking

Installation length L mm	Extension length AL mm	Load bearing capacity kg	Cat. No.
300	395	80	432.15.930
400	595	90	432.15.940
500	750	90	432.15.950
600	900	100	432.15.960
700	1050	100	432.15.970

Packing: 1 pair

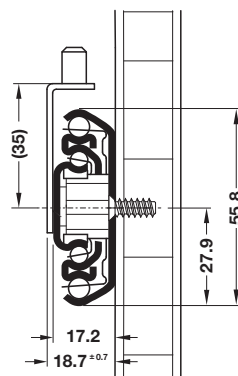
Full extension

Load bearing capacity up to 123 kg

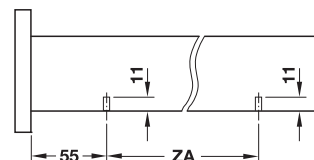


- > Material: Steel
- > Finish: Zinc plated
- > Version: With pins, with stay closed feature for locking in closed position
- > Dim.: Max. drawer width = internal cabinet width – 38.5 mm
- > Installation: At drawer, for plug fitting into pins, suspended installation

Installation



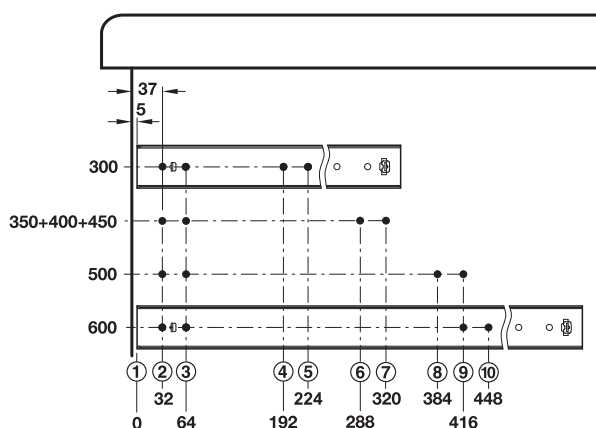
Drilling diagram for pin drillings



ZA = pin spacing



Drilling pattern



Installation length mm	Extension length AL mm	Pin spacing ZA mm	Load bearing capacity kg	Cat. No.
300	320	198	94	432.06.930
350	375	248	96	432.06.935
400	440	298	97	432.06.940
450	495	348	110	432.06.945
500	550	398	119	432.06.950
600	650	498	123	432.06.960

Packing: 1 pair

Order reference

The installation lengths 550 mm, 650 mm and 700 mm are also available on request.

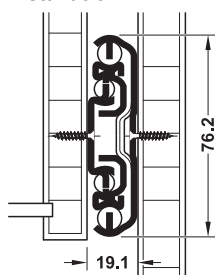
Full extension

Load bearing capacity up to 310 kg

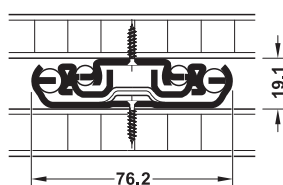
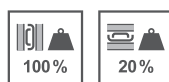


- > Material: Steel
- > Finish: Galvanized
- > Version: All versions are suitable for right and left hand use and are compatible, locking mechanism lever operated
- > Dim.: Max. drawer width – 38.2
- > Installation: At drawer, side mounted or surface mounted, only version with stop in closed position

Installation

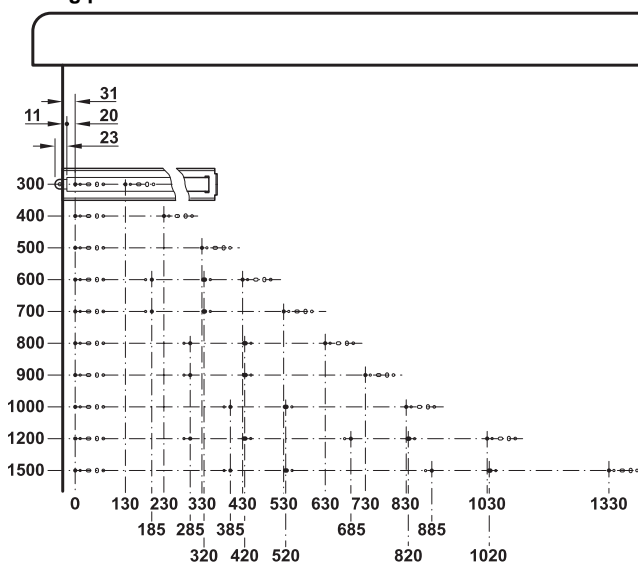


Side mounting applies to **(A), (B), (C), (D)**



Surface mounting applies to **(A), (B)**

Drilling pattern



Note

The specified load bearing capacities refer to 10,000 cycles.

Installation length L mm	Extension length AL mm	Load bearing capacity kg	Cat. No.
(A) With stop in closed position			
300	300	125	420.78.000
400	400	220	420.78.001
500	500	260	420.78.002
600	600	280	420.78.003
700	700	300	420.78.004
800	800	310	420.78.005
900	900	310	420.78.006
1000	1000	300	420.78.007
1200	1200	290	420.78.008
1500	1500	220	420.78.009

(B) With locking in closed position via central lever			
300	300	125	420.78.020
400	400	220	420.78.021
500	500	260	420.78.022
600	600	280	420.78.023
700	700	300	420.78.024
800	800	310	420.78.025
900	900	310	420.78.026
1000	1000	300	420.78.027
1200	1200	290	420.78.028
1500	1500	220	420.78.029

(C) With locking in extended position and stop in closed position			
300	300	125	420.78.040
400	400	220	420.78.041
500	500	260	420.78.042
600	600	280	420.78.043
700	700	300	420.78.044
800	800	310	420.78.045
900	900	310	420.78.046
1000	1000	300	420.78.047
1200	1200	290	420.78.048
1500	1500	220	420.78.049

(D) With locking in closed position and extended position, operated from the front via central lever			
300	300	125	420.78.060
400	400	220	420.78.061
500	500	260	420.78.062
600	600	280	420.78.063
700	700	300	420.78.064
800	800	310	420.78.065
900	900	310	420.78.066
1000	1000	300	420.78.067
1200	1200	290	420.78.068
1500	1500	220	420.78.069

Packing: 1 piece

Order reference
 Packed piecewise