



METALIKA
KOMPONENTE ZA INDUSTRIJO **KACIN**

Telescopic slides with disconnect option

English / German versions

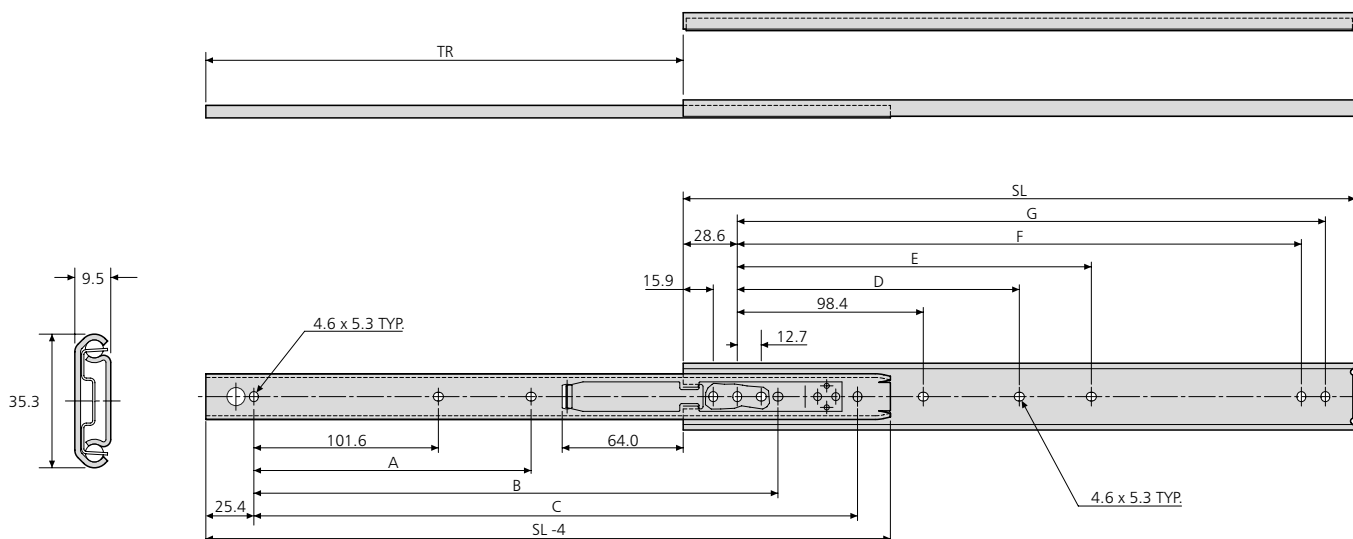
www.METALIKA-KACIN.com

- Load rating up to 65kg per pair
- 75% extension slide
- 9.5mm slide thickness
- Front disconnect
- Lock-out
- Optional enclosure mounting brackets
- Suitable for flat mounting
- Flat mounting reduces load rating by 75%
- Temperature -20°C to +70°C
- DZ - 12 hours salt spray test

- Lastwert bis 65kg pro paar
- Teilauszug
- 9,5mm Schienendicke
- Frontschnelltrennung
- Verriegelung ausgezogen
- Optionale Gehäuse-Montagewinkel
- Für Flachmontage geeignet
- Flachmontage reduziert den Lastwert um 75%
- Temperatur -20°C bis +70°C
- DZ - 12 Stunden Salzsprühstest

Notes:

- Fixing recommendation: M4 screw
- Max. head. ht. 2.5mm/Ø9.6mm
- For enclosure mounting brackets, refer to "Mounting kits and accessories" section
- For cable carriers, refer to "Mounting kits and accessories" section
- Load ratings quoted are the maximum for a pair of side mounted slides installed 450mm apart, unless otherwise stated. For more information, refer to "How to select a slide" section

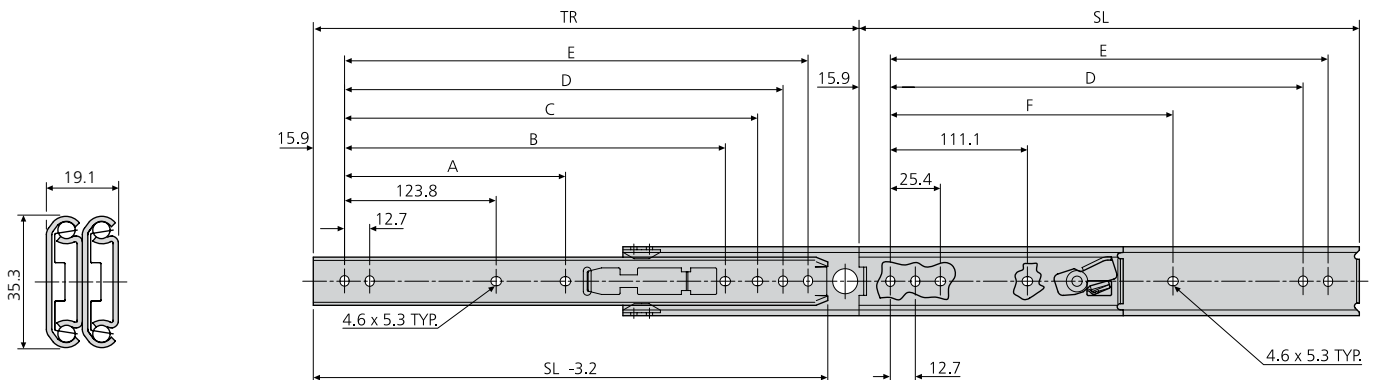


0204	mm									kg	
	SL	TR	A	B	C	D	E	F	G	W	L
DZ0204-0012	305	201.5	-	215.9	254.0	-	136.5	247.6	260.3	0.63	65
DZ0204-0014	356	252.5	-	266.7	304.8	-	187.3	298.4	311.1	0.73	65
DZ0204-0016	406	303.0	-	317.5	355.6	-	238.1	349.2	361.9	0.84	60
DZ0204-0018	457	329.0	203.2	342.9	406.4	200.0	288.9	400.0	412.7	0.93	55
DZ0204-0020	508	379.5	228.6	393.7	457.2	225.4	339.7	450.8	463.5	1.04	50
DZ0204-0022	559	405.0	254.0	419.1	508.0	250.8	390.5	501.6	514.3	1.14	40
DZ0204-0024	610	430.5	279.4	444.5	558.8	276.2	441.3	552.4	565.1	1.26	35
DZ0204-0026	660	481.5	304.8	495.3	609.6	301.6	492.1	603.2	615.9	1.35	30
DZ0204-0028	711	506.5	330.2	520.7	660.4	327.0	542.9	654.0	666.7	1.48	30

- Load rating up to 70kg
- 100%+ extension
- 19.1mm slide thickness
- Lock-out
- Front disconnect
- Optional enclosure mounting brackets
- Suitable for flat mounting
- Flat mounting reduces load rating by 75%
- Temperature -20°C to +110°C
- DZ - 12 hours salt spray test



- Lastwert bis 70kg pro paar
- Überauszug
- 19,1mm Schienendicke
- Verriegelung in ausgezogener Position
- Frontschnelltrennung
- Optionale Gehäuse-Montagewinkel
- Für Flachmontage geeignet
- Flachmontage reduziert den Lastwert um 75%
- Temperatur -20°C bis +110°C
- DZ - 12 Stunden Salzsprühtest



0305	mm								kg	
	SL	TR	A	B	C	D	E	F	W	L
DZ0305-0012	305	327.0	-	-	-	260.3	273.0	-	1.27	70
DZ0305-0014	356	378.0	-	-	298.4	311.1	323.8	-	1.46	68
DZ0305-0016	406	429.0	-	-	349.2	361.9	374.6	250.8	1.63	65
DZ0305-0018	457	479.5	212.7	-	400.0	412.7	425.4	301.6	1.88	62
DZ0305-0020	508	530.5	238.1	365.2	450.8	463.5	476.2	352.4	2.04	57
DZ0305-0022	559	581.0	263.5	415.9	501.6	514.3	527.0	403.2	2.29	52
DZ0305-0024	610	632.0	288.9	466.7	552.4	565.1	577.8	454.0	2.50	46
DZ0305-0026	660	683.0	314.3	517.7	603.2	615.9	628.6	504.8	2.67	41
DZ0305-0028	711	733.5	339.7	568.3	654.0	666.7	679.4	555.6	2.89	36

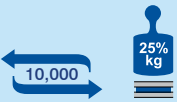
Notes:

- Fixing recommendation: M4 screw
- Max. head. ht. 2.5mm/Ø9.6mm
- For enclosure mounting brackets, refer to "Mounting kits and accessories" section
- For more information, refer to "How to select a slide" section

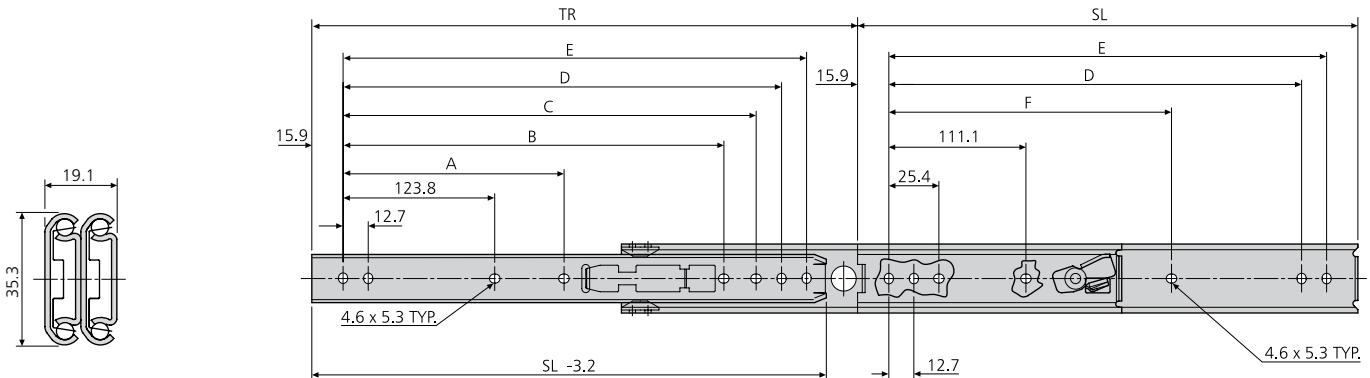
Hinweise:

- Empfohlene Befestigung: Schraube M4
- Max. Kopfhöhe 2,5mm/Ø9,6mm
- Gehäuse-Montagewinkel siehe Abschnitt 'Montage-Kits und Zubehör'
- Weitere Information siehe Abschnitt 'Schienen-Auswahl'

- High grade stainless steel
- Load rating up to 70kg per pair
- 100%+ extension
- 19.1mm slide thickness
- Lock-out
- Front disconnect
- Ideal for environments where mild steel might be subject to corrosion
- Suitable for flat mounting
- Flat mounting reduces load rating by 75%
- Temperature -20°C to +110°C



- Hochwertiger Edelstahl
- Lastwert bis 70kg pro paar
- Überauszug
- 19,1mm Schienendicke
- Verriegelung in ausgezogener Position
- Frontschnelltrennung
- Idéal pour les environnements où l'acier doux risque d'être soumis à la corrosion
- Für Flachmontage geeignet
- Flachmontage reduziert den Lastwert um 75%
- Temperatur -20°C bis +110°C



DS0305	mm								kg	
	SL	TR	A	B	C	D	E	F	W	L
DS0305-0012	305	327.0	-	-	-	260.3	273.0	-	1.27	70
DS0305-0014	356	378.0	-	-	298.4	311.1	323.8	-	1.46	68
DS0305-0016	406	429.0	-	-	349.2	361.9	374.6	250.8	1.63	65
DS0305-0018	457	479.5	212.7	-	400.0	412.7	425.4	301.6	1.88	62
DS0305-0020	508	530.5	238.1	365.2	450.8	463.5	476.2	352.4	2.04	57
DS0305-0022	559	581.0	263.5	415.9	501.6	514.3	527.0	403.2	2.29	52
DS0305-0024	610	632.0	288.9	466.7	552.4	565.1	577.8	454.0	2.50	46
DS0305-0026	660	683.0	314.3	517.7	603.2	615.9	628.6	504.8	2.67	41
DS0305-0028	711	733.5	339.7	568.3	654.0	666.7	679.4	555.6	2.89	36

Notes:

- Fixing recommendation: M4 screw
- Max. head. ht. 2.5mm/Ø9.6mm
- Load ratings quoted are the maximum for a pair of side mounted slides installed 450mm apart, unless otherwise stated. For more information, refer to "How to select a slide" section

Hinweise:

- Empfohlene Befestigung: Schraube M4
- Max. Kopfhöhe 2,5mm/Ø9,6mm
- Falls nicht anders angegeben, sind die genannten Tragkräfte die maximal erreichbaren, bei einem Paar seitlich montierten Führungen mit 450mm Schienenabstand. Weitere Information siehe Abschnitt 'Schienen-Auswahl'

- Load rating up to 35kg per pair
- 75% extension
- 12.7mm slide thickness
- Height adjustable brackets included
- Front disconnect
- Hold-in and hold-out
- Optional clip-on bracket for bottom mounting
- Not suitable for flat mounting
- Temperature -20°C to +70°C
- DZ - 12 hours salt spray test

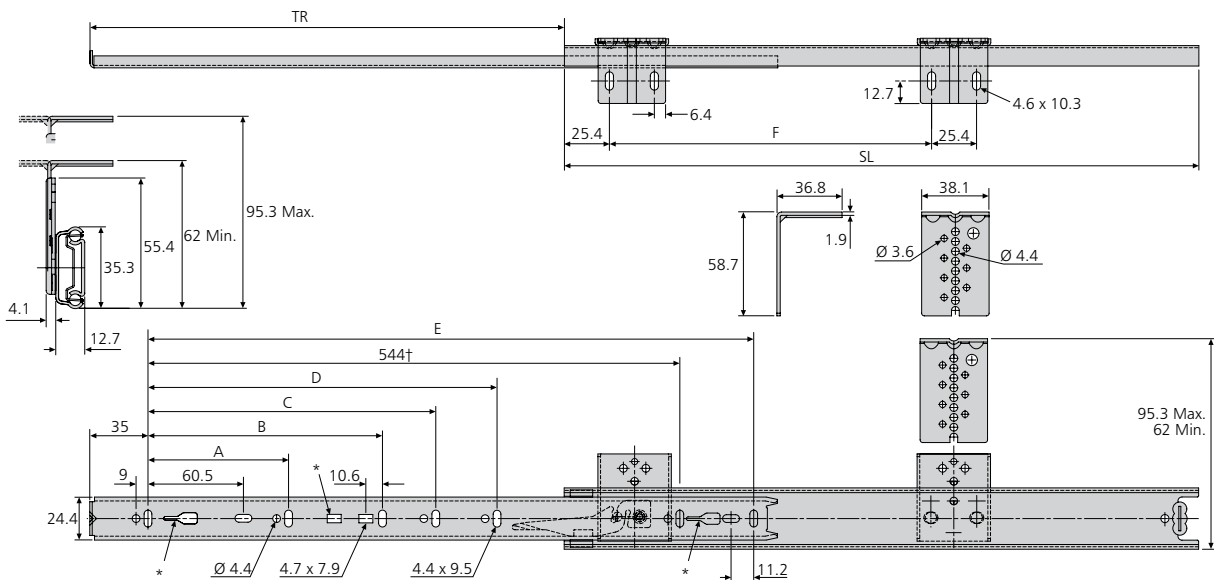
- Lastwert bis 35kg pro paar
- Teilauszug
- 12,7mm Schienendicke
- Höhenverstellbare Montagewinkel inbegriffen
- Frontschnelltrennung
- Rastung in geschlossener Position und Rastung in ausgezogener Position
- Optionaler Aufsteckwinkel für Bodenmontage
- Nicht für Flachmontage geeignet
- Temperatur -20°C bis +70°C
- DZ - 12 Stunden Salzsprühstest

Notes:

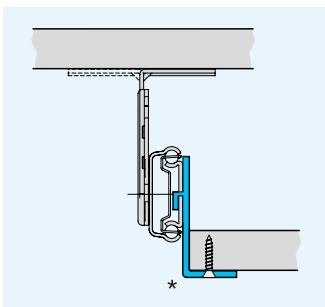
- Fixing hardware included
- Max. head. ht. 2.5mm/Ø9,6mm
- Vertical (side) mounting only
- *For optional clip-on brackets, refer to 633xx in "Mounting kits and accessories" section. Not suitable for 2109-0030/0035
- For more information, refer to "How to select a slide" section



50,000

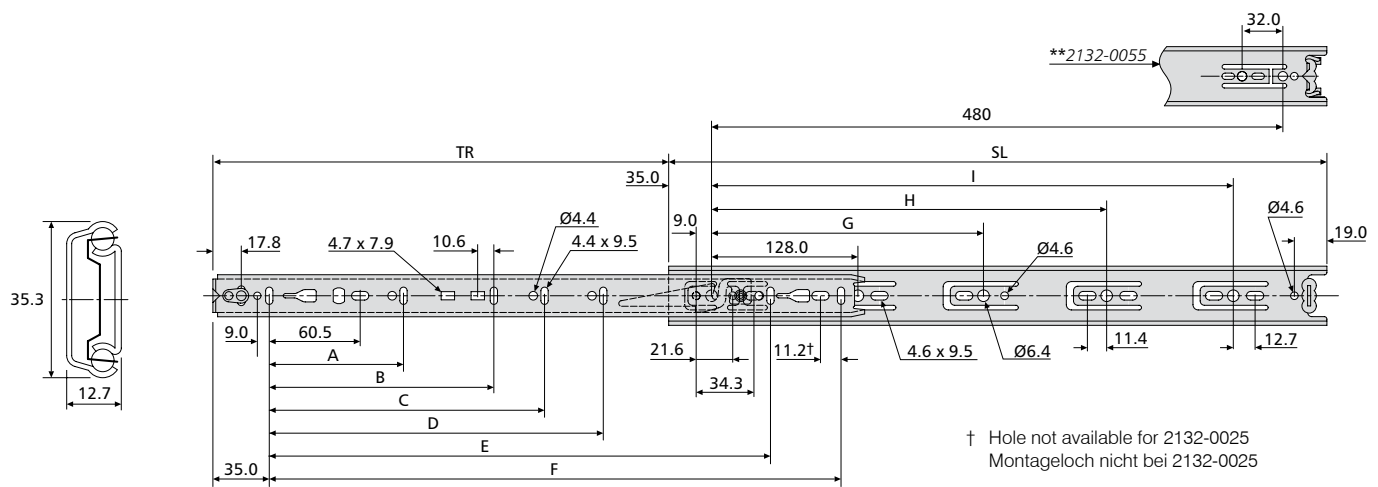


† 2109-0065-2



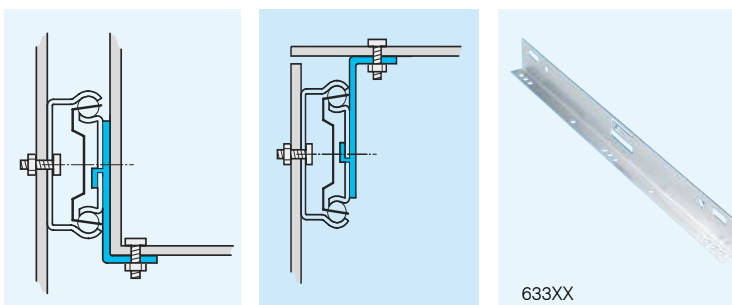
2109	mm								kg	
	SL	TR	A	B	C	D	E	F	W	L
DZ2109-0030-2	300	205	96	-	-	-	242	215.9	0.87	35
DZ2109-0035-2	350	260	128	-	-	-	292	215.9	0.99	35
DZ2109-0040-2	400	281	128	-	-	-	342	215.9	1.07	30
DZ2109-0045-2	450	331	128	224	-	-	392	215.9	1.14	30
DZ2109-0050-2	500	376	128	224	-	-	442	292.1	1.23	25
DZ2109-0055-2	550	415	128	224	320	-	492	292.1	1.33	25

- Load rating up to 35/50kg per pair
- 75% extension
- 12.7mm slide thickness (14mm with mounting bracket)
- Optional clip-on bracket for bottom & platform mounting
- Front disconnect
- Hold-in
- Cam drawer adjust (3.2mm)
- Not suitable for flat mounting
- Temperature -20°C to +70°C
- DZ - 12 hours salt spray test
- DB - 96 hours salt spray test



2132	mm											kg		
	SL	TR	A	B	C	D	E	F	G	H	I	W	L 10,000	L 80,000
*2132-0025	250	163	96	-	-	-	-	192	-	-	-	0.45	50	35
*2132-0030	300	205	96	-	-	-	-	242	224	-	-	0.52	50	35
*2132-0035	350	260	128	-	-	-	-	292	224	-	-	0.64	50	35
*2132-0040	400	281	128	-	-	-	-	342	224	-	320	0.71	50	35
*2132-0045	450	331	128	224	-	-	-	392	224	-	352	0.78	48	35
*2132-0050	500	376	128	224	-	-	-	442	224	-	416	0.80	45	34
*2132-0055	550	415	128	224	320	-	-	492	224	352	**	0.98	42	33
*2132-0060	600	451	128	224	320	-	-	542	224	352	480	1.05	40	32
*2132-0065	650	488	128	224	320	416	544	592	224	352	544	1.17	37	31
*2132-0070	700	526	128	224	288	416	-	642	224	352	544	1.26	35	30

* Prefix DZ for bright zinc plate, DB for black zinc plate



Notes:

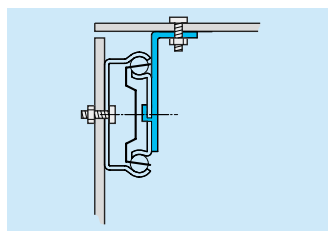
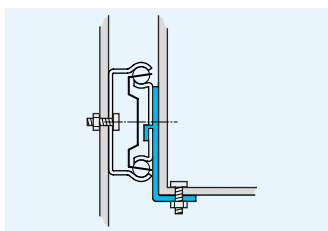
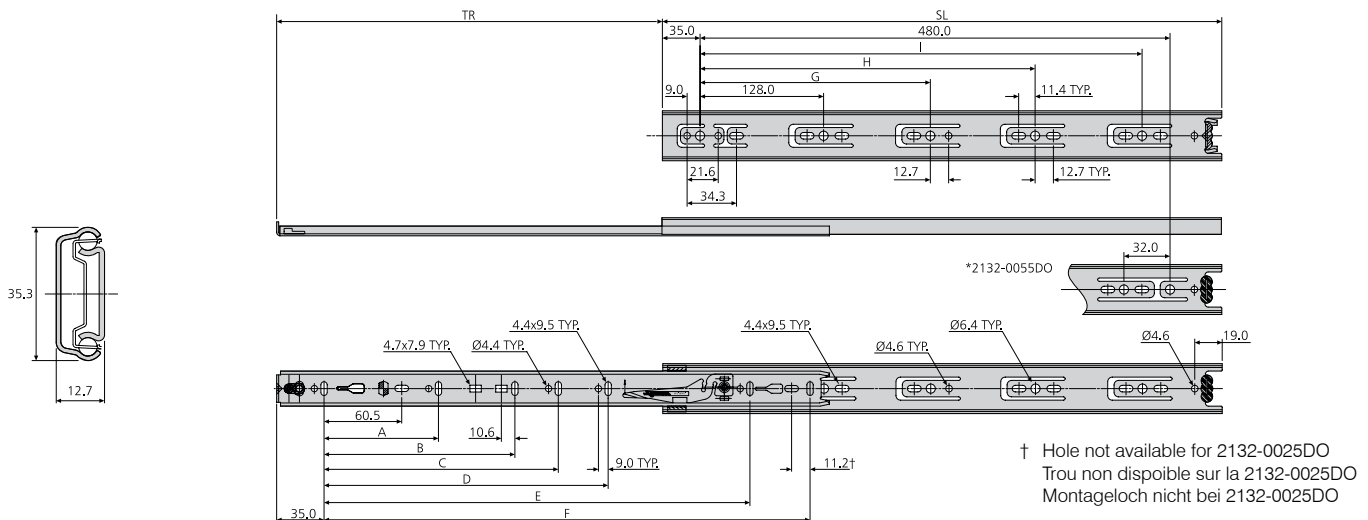
- Fixing recommendation: M4 screw/
4mm wood screw
- Max. head. ht. 2.5mm/Ø9.6mm
- For optional clip-on brackets, refer to '633xx' in
"Mounting kits and accessories" section.
Not 2132-0025/0030/0035
- Vertical (side) mounting only
- For more information, refer to "How to select a
slide" section

- Hold-out in open position
- Load rating up to 35/50kg per pair
- 75% extension
- 12.7mm slide thickness (14mm with mounting bracket)
- Optional clip-on bracket for bottom & platform mounting
- Front disconnect
- Hold-in
- Cam drawer adjust (3.2mm)
- Not suitable for flat mounting
- Temperature -20°C to +70°C
- DZ - 12 hours salt spray test

- Rastung in ausgezogener Position
- Lastwert bis 35/50kg pro paar
- Teilauszug
- 12,7mm Schienendicke (14mm mit Montagewinkel)
- Optionaler Aufsteckwinkel für Boden- bzw. Plattformmontage
- Frontschnelltrennung
- Rastung in geschlossener Position
- Einstellnocken für Schublade (3,2mm)
- Nicht für Flachmontage geeignet
- Temperatur -20°C bis +70°C
- DZ - 12 Stunden Salzsprühstest

Notes:

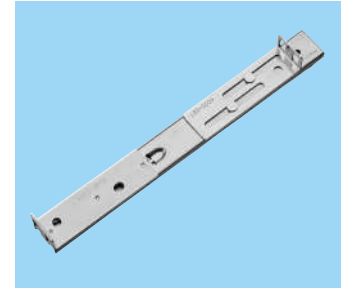
- Fixing recommendation: M4 screw/ 4mm wood screw
- Max. head. ht. 2.5mm/Ø9.6mm
- For optional clip-on brackets, refer to 633xx in "Mounting kits and accessories" section.
- Not 2132-0025DO/0030DO/0035DO
- Vertical (side) mounting only
- For more information, refer to "How to select a slide" section



2132DO	mm											kg		
	SL	TR	A	B	C	D	E	F	G	H	I	W	L 10,000	L 80,000
DZ2132-0025DO	250	163	96	-	-	-	-	192	-	-	-	0.45	50	35
DZ2132-0030DO	300	205	96	-	-	-	-	242	224	-	-	0.52	50	35
DZ2132-0035DO	350	260	128	-	-	-	-	292	224	-	-	0.64	50	35
DZ2132-0040DO	400	281	128	-	-	-	-	342	224	-	320	0.71	50	35
DZ2132-0045DO	450	331	128	224	-	-	-	392	224	-	352	0.78	48	35
DZ2132-0050DO	500	376	128	224	-	-	-	442	224	-	416	0.88	45	34
DZ2132-0055DO	550	415	128	224	320	-	-	492	224	352	*	0.98	42	33
DZ2132-0060DO	600	451	128	224	320	-	-	542	224	352	480	1.05	40	32
DZ2132-0065DO	650	488	128	224	320	416	544	592	224	352	544	1.16	37	31
DZ2132-0070DO	700	526	128	224	288	416	-	642	224	352	544	1.27	35	30

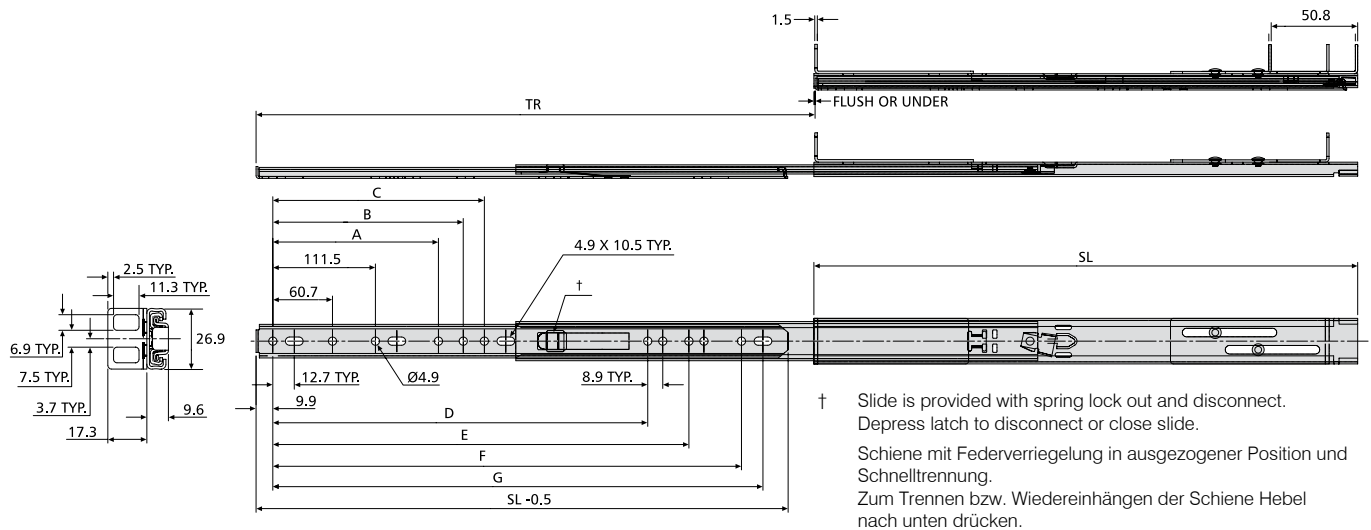
- Load rating up to 45kg per pair
- 100%+ extension
- 9.6mm slide thickness
- Lock-out
- Front disconnect
- Enclosure mounting brackets attached
- Enhanced friction movement
- Low profile for 1U and 2U applications
- Not suitable for flat mounting
- DZ - 12 hours salt spray test

2,000



Notes:

- Load rating is based on a 254mm slide in a 406mm wide chassis cycled 2,000 times
- Each part number includes: 1 pair of slides
- Fixing recommendation: M4 or M6 button head screws with cage nuts (not supplied)
- For cable carriers, refer to "Mounting kits and accessories" section (Suitability dependent on server depth)
- Vertical (side) mounting only



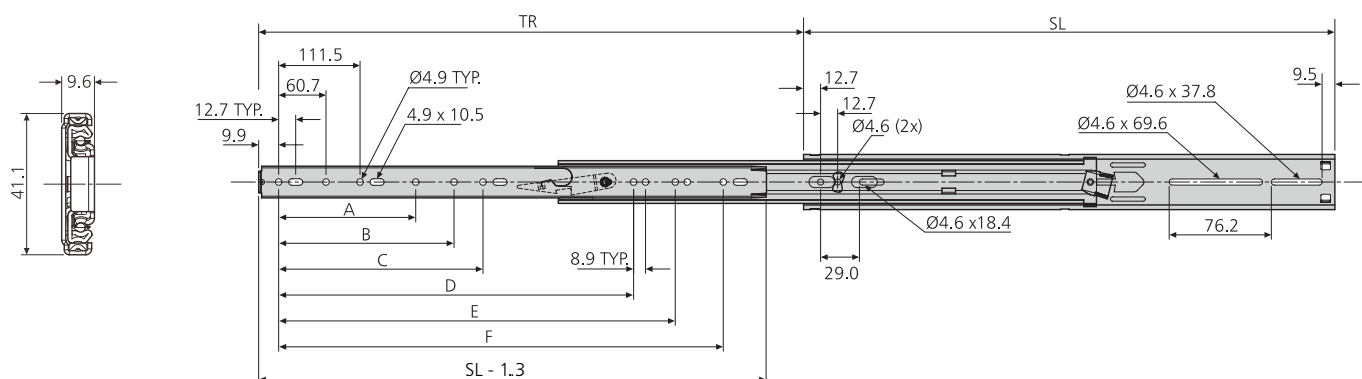
DZ2807	mm									kg	
	SL	TR	A	B	C	D	E	F	G	W	L
DZ2807-0010	254	305	-	-	-	-	-	-	-	0.66	45
DZ2807-0012	305	356	-	-	-	-	-	247.6	-	0.77	45
DZ2807-0014	356	406	-	-	-	-	-	247.6	298.4	0.88	43
DZ2807-0016	406	457	162.6	171.5	-	-	-	336.5	349.2	0.99	40
DZ2807-0018	457	508	-	-	164.8	314.3	-	387.3	400.0	1.11	36
DZ2807-0020	508	559	-	172.1	203.2	356.2	-	438.1	450.8	1.22	36
DZ2807-0022	559	610	-	-	213.0	407.0	-	488.9	501.6	1.33	34
DZ2807-0024	610	660	254.0	273.7	-	-	457.8	539.7	552.4	1.44	31
DZ2807-0026	660	711	140.3	232.4	269.1	416.6	508.6	590.5	603.2	1.55	29
DZ2807-0028	711	762	191.1	283.2	304.8	467.4	559.4	641.4	654.0	1.66	27
DZ2807-0030	762	813	-	241.9	319.9	518.2	610.2	692.1	704.9	1.77	27

- Load rating up to 55kg per pair
- 100%+ extension
- 9.6mm slide thickness
- Lock-out
- Front disconnect
- Optional enclosure mounting brackets
- Not suitable for flat mounting
- Temperature -20°C to +70°C
- DZ - 12 hours salt spray test

- Lastwert bis 55kg pro paar
- Überauszug
- 9,6mm Schienendicke
- Verriegelung ausgezogen
- Frontschnelltrennung
- Optionale Gehäuse-Montagewinkel
- Nicht für Flachmontage geeignet
- Temperatur -20°C bis +70°C
- DZ - 12 Stunden Salzsprühtest



10,000



2907	mm								kg	
	SL	TR	A	B	C	D	E	F	W	L
DZ2907-0012	305	356	-	-	-	-	-	235.0	0.84	30
DZ2907-0014	356	406	-	-	-	-	-	285.8	1.00	35
DZ2907-0016	406	457	162.6	-	-	-	-	336.5	1.13	45
DZ2907-0018	457	508	-	-	164.8	314.3	-	387.3	1.27	50
DZ2907-0020	508	559	-	172.1	203.2	356.2	-	438.1	1.42	55
DZ2907-0022	559	610	-	-	213.0	407.0	-	488.9	1.55	55
DZ2907-0024	610	660	254.0	273.7	-	-	457.8	539.7	1.71	50
DZ2907-0026	660	711	140.3	232.4	269.1	416.6	508.6	590.5	1.87	50
DZ2907-0028	711	762	191.1	283.2	304.8	467.4	559.4	641.4	2.00	50
DZ2907-0030	762	813	-	241.9	319.9	518.2	610.2	692.1	2.16	50

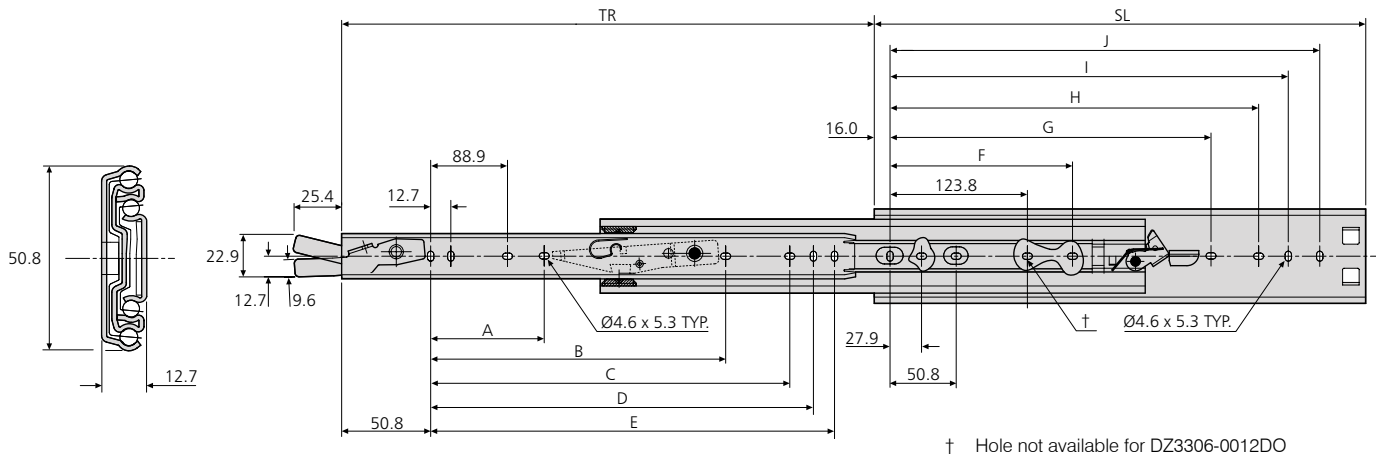
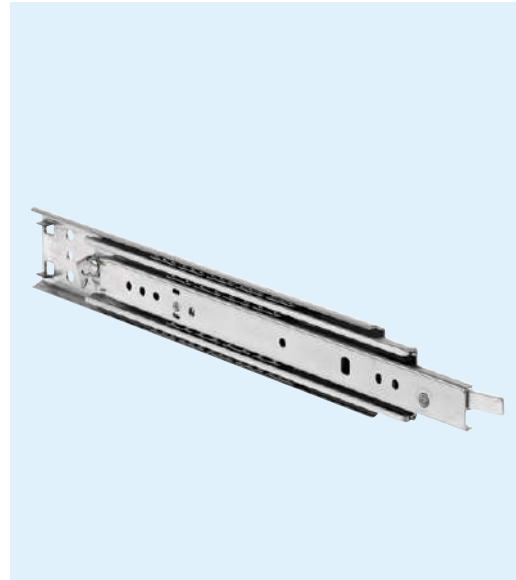
Notes:

- Fixing recommendation: M4 screw
- Max. head. ht. 2.5mm/Ø9.6mm
- For enclosure mounting brackets, refer to "Mounting kits and accessories" section
- For cable carriers, refer to "Mounting kits and accessories" section
- Vertical (side) mounting only
- Load ratings quoted are the maximum for a pair of side mounted slides installed 450mm apart, unless otherwise stated. For more information, refer to "How to select a slide" section

Hinweise:

- Empfohlene Befestigung: Schraube M4
- Max. Kopfhöhe 2,5mm/Ø9,6mm
- Gehäuse-Montagewinkel siehe Abschnitt 'Montage-Kits und Zubehör'
- Kabelträger siehe Abschnitt 'Montage-Kits und Zubehör'
- Nur Vertikalmontage
- Falls nicht anders angegeben, sind die genannten Tragkräfte die maximal erreichbaren, bei einem Paar seitlich montierten Führungen mit 450mm Schienenabstand. Weitere Information siehe Abschnitt 'Schienen-Auswahl'

- Load rating up to 68kg per pair
- 100%+ extension
- 12.7mm slide thickness
- Lock-in
- Hold-out in open position
- Front disconnect
- Fixing hardware included
- Optional enclosure mounting brackets
- Suitable for flat mounting
- Flat mounting reduces load rating by 75%
- Temperature -20°C to +70°C
- DZ - 12 hours salt spray test



3306DO	mm												kg	
	SL	TR	A	B	C	D	E	F	G	H	I	J	W	L
DZ3306-0012DO-2	305	330	-	-	200.1	212.8	225.5	-	-	209.5	234.9	260.3	1.28	68
DZ3306-0014DO-2	356	381	-	-	250.9	263.6	276.3	-	-	260.3	285.7	311.1	1.54	67
DZ3306-0016DO-2	406	432	-	-	301.7	314.4	327.1	-	-	311.1	336.5	361.9	1.71	67
DZ3306-0018DO-2	457	483	143.0	279.4	352.5	365.2	377.9	177.8	314.4	361.9	387.3	412.7	1.93	66
DZ3306-0020DO-2	508	533	168.4	330.2	403.3	416.0	428.7	203.2	365.2	412.7	438.1	463.5	2.15	66
DZ3306-0022DO-2	559	584	193.8	381.0	454.1	466.8	479.5	228.6	416.0	463.5	488.9	514.3	2.38	64
DZ3306-0024DO-2	610	635	219.2	431.8	504.9	517.6	530.3	254.0	466.8	514.3	539.7	565.1	2.57	61
DZ3306-0026DO-2	660	686	244.6	482.6	555.7	568.4	581.1	279.4	517.6	565.1	590.5	615.9	2.83	58
DZ3306-0028DO-2	711	737	270.0	533.4	606.5	619.2	631.9	304.8	568.4	615.9	641.3	666.7	3.05	55



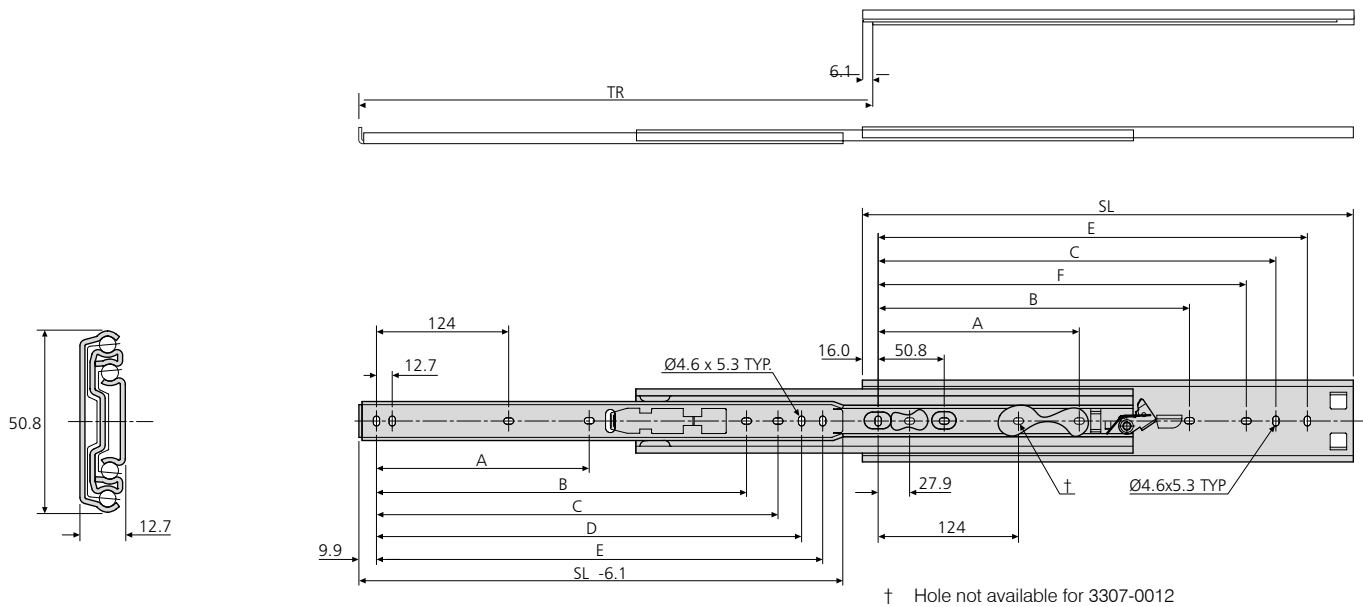
Notes:

- Handed slide assembly
- Fixing hardware included
- For enclosure mounting brackets, refer to "Mounting kits and accessories" section
- For cable carriers, refer to "Mounting kits and accessories" section
- Load ratings quoted are the maximum for a pair of side mounted slides installed 450mm apart, unless otherwise stated. For more information, refer to "How to select a slide" section

- Load rating up to 68kg per pair
- 100%+ extension
- 12.7mm slide thickness
- Front disconnect
- Lock-out
- Fixing hardware included
- Optional enclosure mounting brackets
- Suitable for flat mounting
- Flat mounting reduces load rating by 75%
- Temperature -20°C to +70°C
- DZ - 12 hours salt spray test



- Lastwert bis 68kg pro paar
- Überauszug
- 12,7mm Schienendicke
- Frontschnelltrennung
- Verriegelung ausgezogen
- Befestigungsteile inbegriffen
- Optionale Gehäuse-Montagewinkel
- Für Flachmontage geeignet
- Flachmontage reduziert den Lastwert um 75%
- Temperatur -20°C bis +70°C
- DZ - 12 Stunden Salzsprühtest



3307	mm								kg	
	SL	TR	A	B	C	D	E	F	W	L
DZ3307-0012-2	305	330	-	-	234.9	247.6	260.3	209.5	1.32	68
DZ3307-0014-2	356	381	-	-	285.7	298.4	311.1	260.3	1.51	67
DZ3307-0016-2	406	432	-	-	336.5	349.2	361.9	311.1	1.73	67
DZ3307-0018-2	457	483	177.8	314.5	387.3	400.0	412.7	361.9	1.94	66
DZ3307-0020-2	508	533	203.2	365.2	438.1	450.8	463.5	412.7	2.16	66
DZ3307-0022-2	559	584	228.6	416.0	488.9	501.6	514.3	463.5	2.39	64
DZ3307-0024-2	610	635	254.0	466.8	539.7	552.4	565.1	514.3	2.60	61
DZ3307-0026-2	660	686	279.4	517.7	590.6	603.3	615.9	565.1	2.81	58
DZ3307-0028-2	711	737	304.8	568.5	641.4	654.1	666.8	616.0	3.04	55



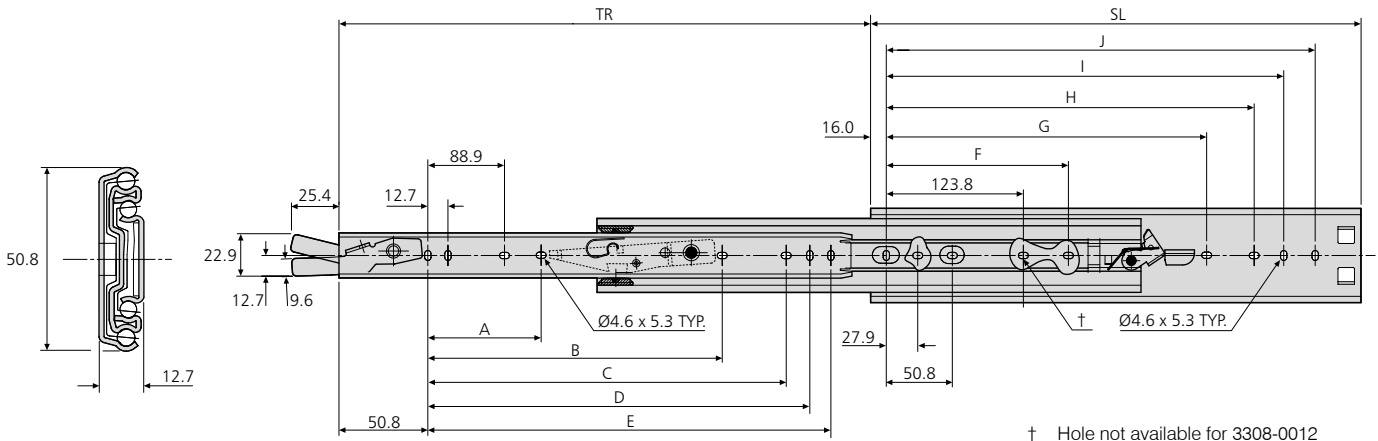
Notes:

- For enclosure mounting brackets, refer to "Mounting kits and accessories" section
- For cable carriers, refer to "Mounting kits and accessories" section
- Load ratings quoted are the maximum for a pair of side mounted slides installed 450mm apart, unless otherwise stated. For more information, refer to "How to select a slide" section

- Load rating up to 68kg per pair
- 100%+ extension
- 12.7mm slide thickness
- Lock-in
- Lock-out
- Front disconnect
- Fixing hardware included
- Optional enclosure mounting brackets
- Suitable for flat mounting
- Flat mounting reduces load rating by 75%
- Temperature -20°C to +70°C
- DZ - 12 hours salt spray test



- Lastwert bis 68kg pro paar
- Überauszug
- 12,7mm Schienendicke
- Verriegelung in eingezogener position
- Verriegelung in ausgezogener Position
- Frontschnelltrennung
- Befestigungsteile inbegriffen
- Optionale Gehäuse-Montagewinkel
- Für Flachmontage geeignet
- Flachmontage reduziert den Lastwert um 75%
- Temperatur -20°C bis +70°C
- DZ - 12 Stunden Salzsprühstest



3308	mm												kg	
	SL	TR	A	B	C	D	E	F	G	H	I	J	W	L
DZ3308-0012-2	305	330	-	-	200.1	212.8	225.5	-	-	209.5	234.9	260.3	1.32	68
DZ3308-0014-2	356	381	-	-	250.9	263.6	276.3	-	-	260.3	285.7	311.1	1.54	67
DZ3308-0016-2	406	432	-	-	301.7	314.4	327.1	-	-	311.1	336.5	361.9	1.75	67
DZ3308-0018-2	457	483	143.0	279.4	352.5	365.2	377.9	177.8	314.4	361.9	387.3	412.7	1.96	66
DZ3308-0020-2	508	533	168.4	330.2	403.3	416.0	428.7	203.2	365.2	412.7	438.1	463.5	2.19	66
DZ3308-0022-2	559	584	193.8	381.0	454.1	466.8	479.5	228.6	416.0	463.5	488.9	514.3	2.37	64
DZ3308-0024-2	610	635	219.2	431.8	504.9	517.6	530.3	254.0	466.8	514.3	539.7	565.1	2.63	61
DZ3308-0026-2	660	686	244.6	482.6	555.7	568.4	581.1	279.4	517.6	565.1	590.5	615.9	2.86	58
DZ3308-0028-2	711	737	270.0	533.4	606.5	619.2	631.9	304.8	568.4	615.9	641.3	666.7	3.05	55



Notes:

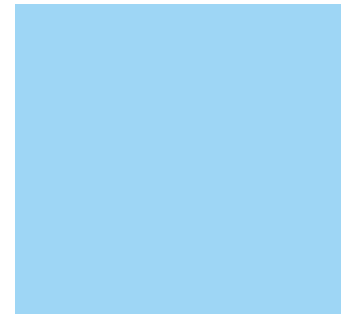
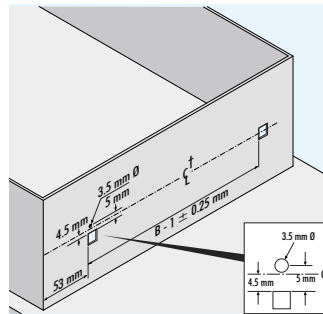
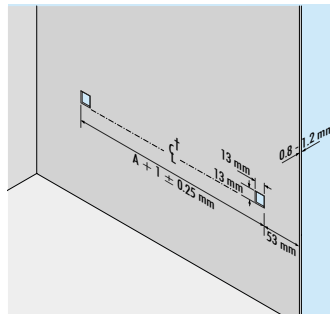
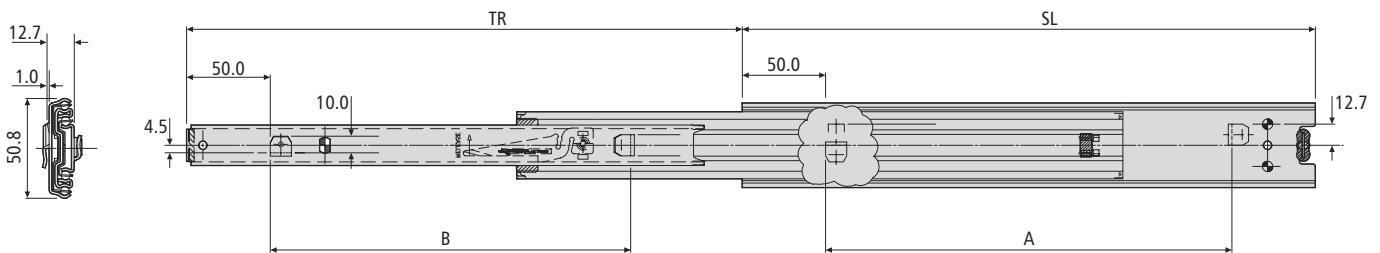
- Handed slide assembly
- Fixing hardware included
- For enclosure mounting brackets, refer to "Mounting kits and accessories" section
- For cable carriers, refer to "Mounting kits and accessories" section
- Load ratings quoted are the maximum for a pair of side mounted slides installed 450mm apart, unless otherwise stated. For more information, refer to "How to select a slide" section

- Load rating up to 60kg per pair
- 100%+ extension
- 12.7mm slide thickness
- Bayonet mounting
- Hold-in
- Front disconnect
- Not suitable for flat mounting
- Temperature -20°C to +70°C
- DZ - 12 hours salt spray test

- Lastwert bis 60kg pro paar
- Überauszug
- 12,7mm Schienendicke
- Bajonettmontage
- Rastung in geschlossener Position
- Frontschnelltrennung
- Nicht für Flachmontage geeignet
- Temperatur -20°C bis +70°C
- DZ - 12 Stunden Salzsprühtest



50,000



3320-50	mm				kg	
	SL	TR	A	B	W	L
DZ3320-5030	300	325	200	200	1.23	55
DZ3320-5035	350	374	250	250	1.45	57
DZ3320-5040	400	424	300	300	1.66	58
DZ3320-5045	450	473	350	350	1.87	59
DZ3320-5050	500	522	400	400	2.07	60
DZ3320-5055	550	571	450	450	2.29	60
DZ3320-5060	600	620	500	500	2.52	59
DZ3320-5065	650	670	550	550	2.72	57
DZ3320-5070	700	731	600	600	2.93	55

Notes:

- Bayonet mounting for metal cabinets and chassis walls of between 0.8-1.2mm thickness
- Vertical (side) mounting only
- For more information, refer to "How to select a slide" section

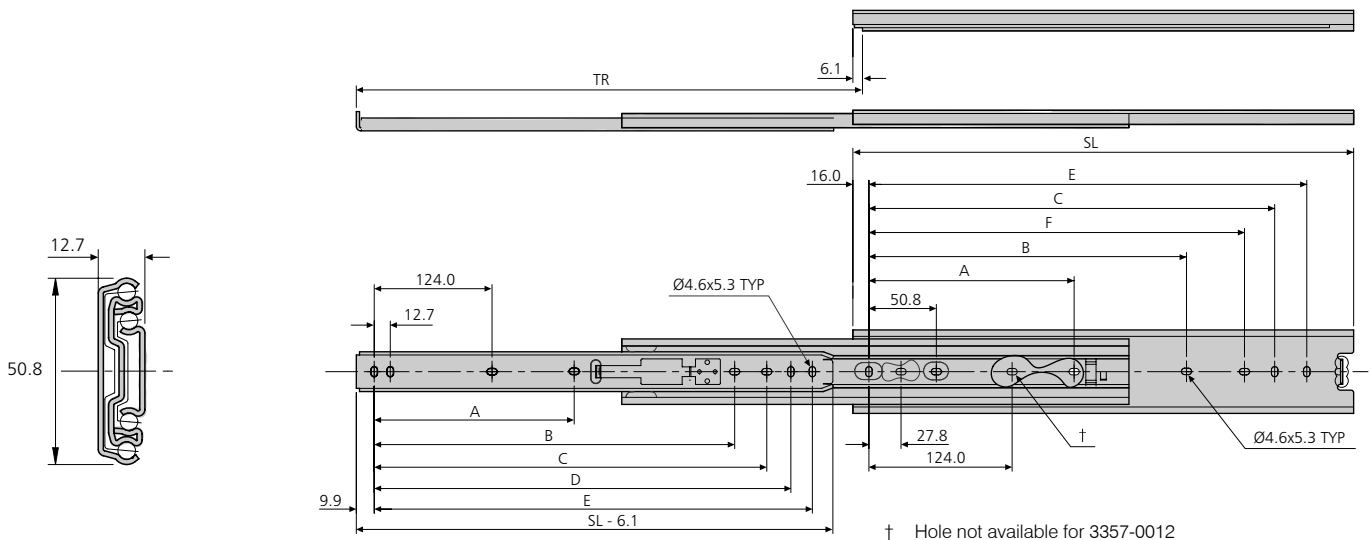
Hinweise:

- Bajonettmontage für Metallschränke und Chassiswände mit 0,8mm-1,2mm Dicke
- Nur Vertikalmontage
- Weitere Information siehe Abschnitt „Schienen-Auswahl“

- Load rating up to 68kg per pair
- 100%+ extension
- 12.7mm slide thickness
- Front disconnect
- Fixing hardware included
- Optional enclosure mounting brackets
- Suitable for flat mounting
- Flat mounting reduces load rating by 75%
- Temperature -20°C to +70°C
- DZ - 12 hours salt spray test



- Lastwert bis 68kg pro paar
- Überauszug
- 12,7mm Schienendicke
- Frontschnelltrennung
- Befestigungsteile inbegriffen
- Optionale Gehäuse-Montagewinkel
- Optionale Gehäuse-Montagewinkel
- Flachmontage reduziert den Lastwert um 75%
- Temperatur -20°C à +70°C
- DZ - 12 Stunden Salzsprühstest



3357	mm								kg	
	SL	TR	A	B	C	D	E	F	W	L
DZ3357-0012-2	305	330	-	-	235.0	247.7	260.4	209.6	1.22	68
DZ3357-0014-2	356	381	-	-	285.8	298.5	311.2	260.4	1.41	67
DZ3357-0016-2	406	432	-	-	336.6	349.3	362.0	311.2	1.59	67
DZ3357-0018-2	457	483	177.8	314.5	387.4	400.1	412.8	362.0	1.81	66
DZ3357-0020-2	508	533	203.2	365.3	438.2	450.9	463.6	412.8	2.00	66
DZ3357-0022-2	559	584	228.6	416.1	489.0	501.7	514.4	463.6	2.22	64
DZ3357-0024-2	610	635	254.0	466.9	539.8	552.5	565.2	514.4	2.40	61
DZ3357-0026-2	660	686	279.4	517.7	590.6	603.3	616.0	565.2	2.63	58
DZ3357-0028-2	711	737	304.8	568.5	641.4	654.1	666.8	616.0	2.81	55
DZ3357-0030-2	762	787	330.2	619.3	692.2	704.9	717.6	666.8	2.99	51

Notes:

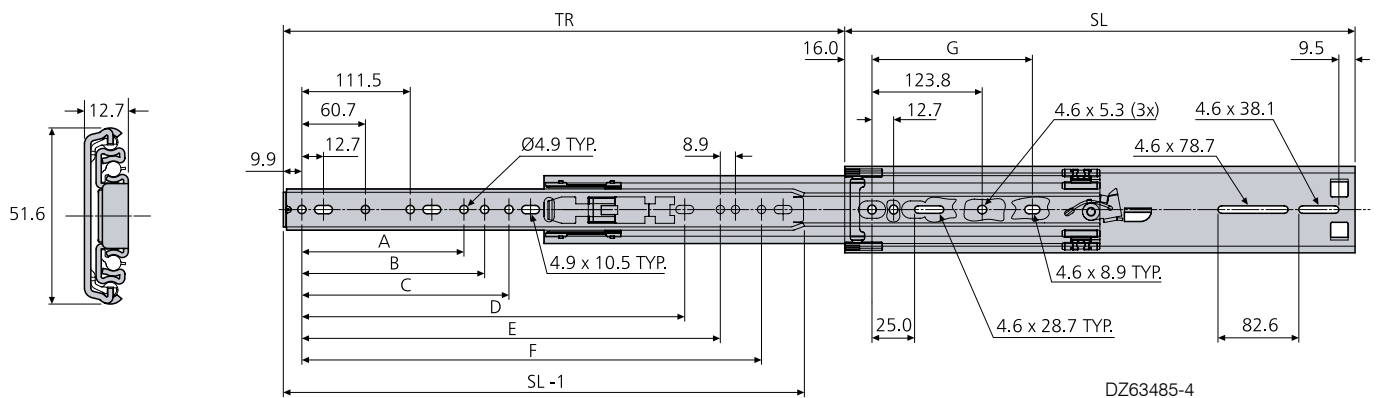
- For enclosure mounting brackets, refer to "Mounting kits and accessories" section
- For cable carriers, refer to "Mounting kits and accessories" section
- Load ratings quoted are the maximum for a pair of side mounted slides installed 450mm apart, unless otherwise stated. For more information, refer to "How to select a slide" section



- Load rating up to 82kg per pair
- 100%+ extension
- 12.7mm slide thickness
- Lock-out
- Pinch-free, spring disconnect makes drawer removal and reinsertion easy
- One-Motion Insertion™ simplifies reinsertion and installation of heavier loads
- Optional enclosure mounting brackets
- For 2 to 8U chassis
- Suitable for flat mounting
- Flat mounting reduces load rating by 75%
- Temperature -20°C to +70°C
- DZ - 12 hours salt spray test



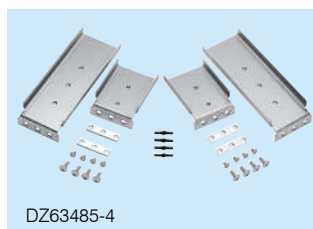
- Lastwert bis 82kg pro paar
- Überauszug
- 12,7mm Schienendicke
- Verriegelung ausgezogen
- Klemmfreie Trennung vereinfacht Herausnahme und Einsetzen von Schüben
- One-Motion Insertion™ vereinfacht Einsetzen und Installation schwererer Lasten
- Optionale Gehäuse-Montagewinkel
- Für Einbauhöhen 2U bis 8U
- Für Flachmontage geeignet
- Flachmontage reduziert den Lastwert um 75%
- Temperatur -20°C bis +70°C
- DZ - 12 Stunden Salzsprühtest



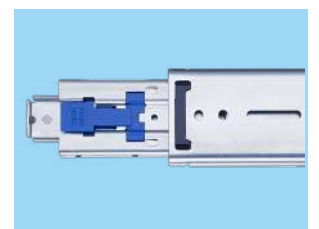
3507	mm										kg	
	SL	TR	A	B	C	D	E	F	G	W	L	
DZ3507-0016	406	457	-	-	-	-	162.6	336.5	153.7	1.75	71	
DZ3507-0018	457	508	-	-	164.8	-	-	387.3	178.8	2.01	76	
DZ3507-0020	508	559	-	172.1	203.2	-	-	438.1	203.8	2.24	80	
DZ3507-0022	559	610	-	-	213.0	-	407.0	488.9	228.8	2.46	82	
DZ3507-0024	610	660	254.0	273.7	-	-	457.8	539.7	253.8	2.70	81	
DZ3507-0026	660	711	140.3	232.4	269.1	-	508.6	590.5	278.7	2.94	78	
DZ3507-0028	711	762	191.1	283.2	304.8	526.0	559.4	641.4	303.8	3.16	73	
DZ3507-0030	762	813	-	241.9	319.9	527.1	610.2	692.1	328.8	3.40	67	

Notes:

- Fixing recommendation: M4 screw.
- Max head ht. 2.5mm/Ø9.6mm
- For enclosure mounting brackets, refer to "Mounting kits and accessories" section
- For cable carriers, refer to "Mounting kits and accessories" section
- Load ratings quoted are the maximum for a pair of side mounted slides installed 450mm apart, unless otherwise stated. For more information, refer to "How to select a slide" section



DZ63485-4



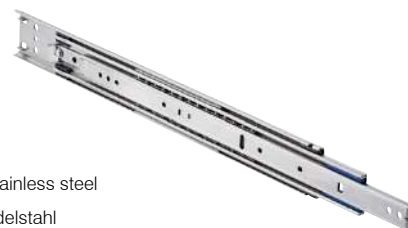
- Material: Stainless Steel Grade 316
- Load rating up to 90kg per pair
- 100%+ extension
- 12.7mm slide thickness
- Lock-out
- Pinch free, spring disconnect makes drawer removal and reinsertion easy
- Suitable for flat mounting
- Flat mounting reduces load rating by 75%
- Temperature -20°C to +70°C



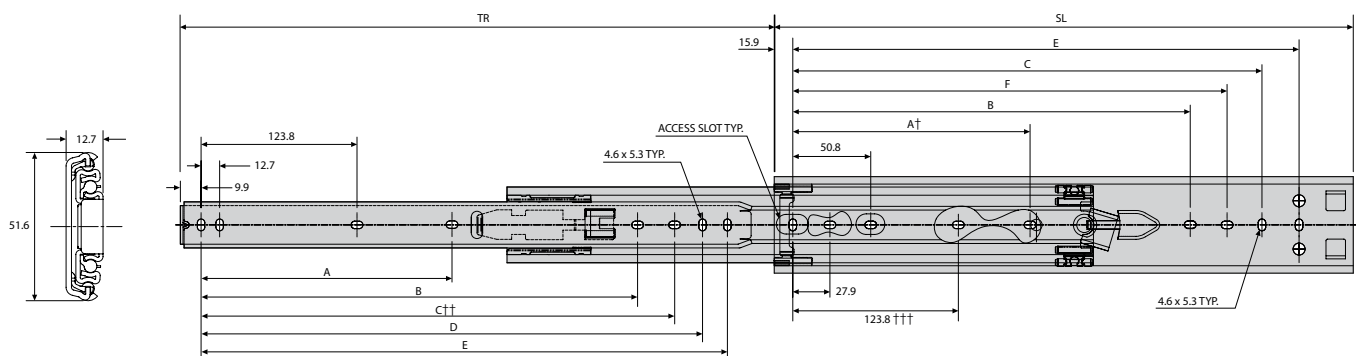
- Material: Edelstahlqualität X5CrNiMo18-10 (AISI 316)
- Lastwert bis 90kg pro paar
- Überauszug
- 12,7mm Schienendicke
- Verriegelung ausgezogen
- Klemmfreie Trennung vereinfacht Herausnahme und Einsetzen von Schüben
- Für Flachmontage geeignet
- Flachmontage reduziert den Lastwert um 75%
- Temperatur -20°C bis +70°C

Notes:

- Fixing recommendations: M4 screw.
- Max head height 2.5mm/Ø9.6mm
- Load ratings quoted are the maximum for a pair of side mounted slides installed 400mm apart. For more information, refer to "How to select a slide" section



Stainless steel
Edelstahl



† DS3557-0022, DS3557-0024, DS3557-0026
Outer member/Brin extérieur/Außenschiene

††† Hole not available for DS3557-0012, DS3557-0014
Trou non disponible sur la DS3557-0012, DS3557-0014
Montageloch nicht bei DS3557-0012, DS3557-0014

†† Hole not available for DS3557-0012
Trou non disponible sur la DS3557-0012
Montageloch nicht bei DS3557-0012

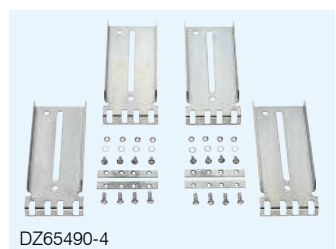
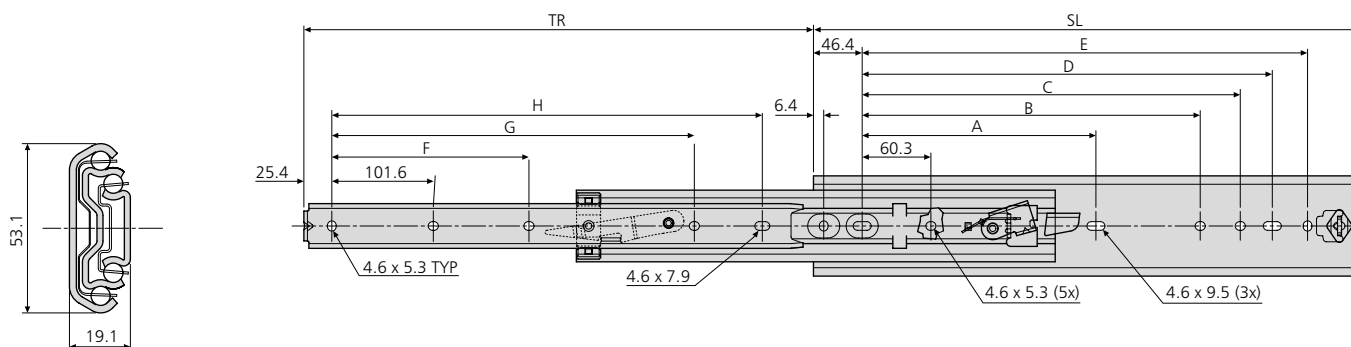


DS3557	mm								kg	
	SL	TR	A	B	C	D	E	F	W	L
DS3557-0012	305	330	-	-	235.0	247.7	260.4	209.6	1.4	56
DS3557-0014	356	381	-	-	285.8	298.5	311.2	260.4	1.6	68
DS3557-0016	406	432	-	-	336.6	349.3	362.0	311.2	1.8	80
DS3557-0018	457	483	177.8	314.4	387.4	400.1	412.8	362.0	2.0	85
DS3557-0020	508	533	203.2	365.3	438.2	450.9	463.6	412.8	2.2	90
DS3557-0022	559	584	228.6	416.1	489.0	501.7	514.4	463.6	2.5	90
DS3557-0024	610	635	254.0	466.9	539.8	552.5	565.2	514.4	2.7	90
DS3557-0026	660	686	279.4	517.7	590.6	603.3	616.0	565.2	2.9	87

- Load rating up to 120kg per pair
- 100% extension
- 19.1mm slide width
- Lock-out
- Front disconnect
- Fixing hardware included
- Optional enclosure mounting brackets
- Not suitable for flat mounting
- Temperature -20°C to +70°C
- DZ - 12 hours salt spray test

Notes:

- *Handed slide assembly – levers move in same direction when pair of slides installed*
- *Vertical (side) mounting only*
- *Fixing hardware included*
- *For enclosure mounting brackets see 'DZ65490-4'*
- *Load ratings quoted are the maximum for a pair of side mounted slides installed 450mm apart, unless otherwise stated. For more information, refer to "How to select a slide" section*

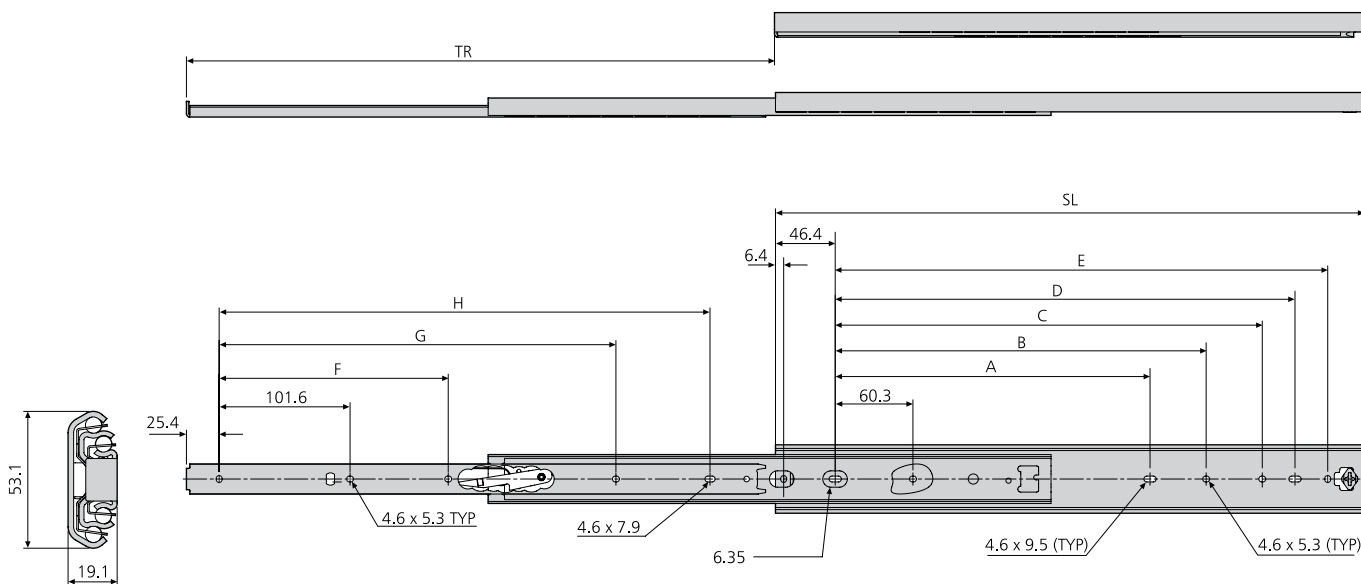


3607	mm										kg	
	SL	TR	A	B	C	D	E	F	G	H	W	L
DZ3607-0012-2	305	305	-	135.4	179.1	204.5	229.9	-	-	228.6	1.79	90
DZ3607-0014-2	356	356	-	186.2	229.9	255.3	280.7	-	-	279.4	2.08	90
DZ3607-0016-2	406	406	-	237.0	280.7	306.1	331.5	-	257.3	330.2	2.50	100
DZ3607-0018-2	457	457	-	287.8	331.5	356.9	382.3	-	308.1	381.0	2.71	110
DZ3607-0020-2	508	508	215.9	338.6	382.3	407.7	433.1	203.2	358.9	431.8	3.02	120
DZ3607-0022-2	559	559	241.3	389.4	433.1	458.5	483.9	228.6	409.7	482.6	3.32	110
DZ3607-0024-2	610	610	266.7	440.2	483.9	509.3	534.7	254.0	460.5	533.4	3.63	100
DZ3607-0026-2	660	660	292.1	491.0	534.7	560.1	585.5	279.4	511.3	584.2	3.95	92
DZ3607-0028-2	711	711	317.5	541.8	585.5	610.9	636.3	304.8	562.1	635.0	4.22	83

- Load rating up to 124kg per pair
- 100% extension
- 19.1mm slide width
- Suitable for drawers up to 1000mm wide
- Front disconnect
- Fixing hardware included
- Optional enclosure mounting brackets
- Not suitable for flat mounting
- Temperature -20°C to +70°C
- DZ - 12 hours salt spray test

Notes:

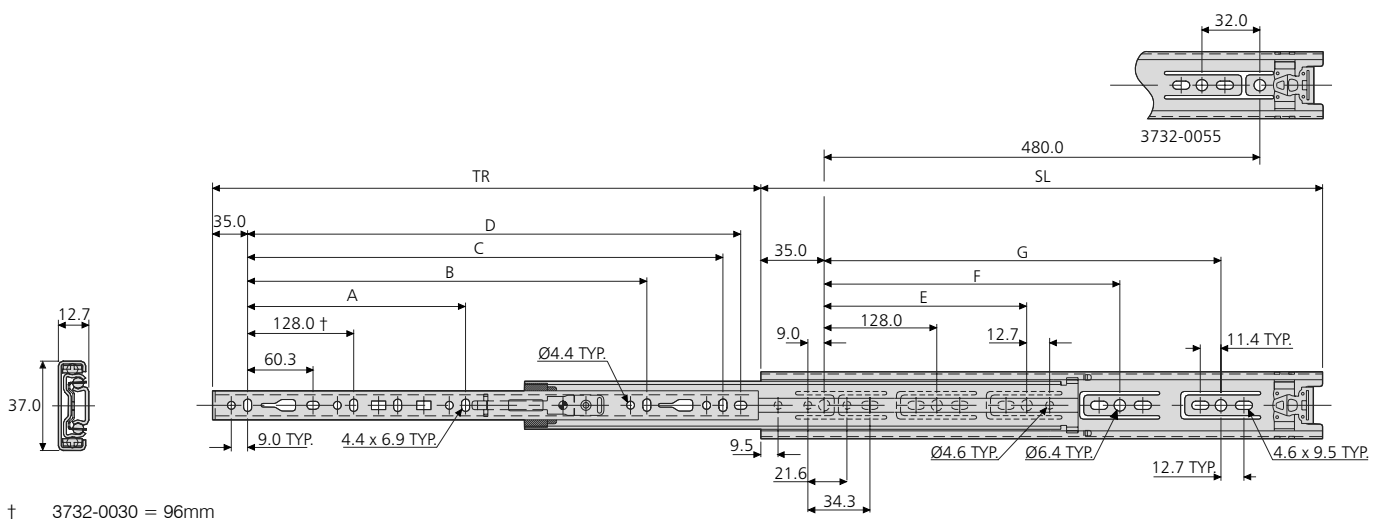
- *Handed slide assembly – levers move in same direction when pair of slides installed*
- *Vertical (side) mounting only*
- *Fixing hardware included*
- *For enclosure mounting brackets see DZ65490-4*
- *We recommend that a centrally positioned pull handle is used on wide drawers*



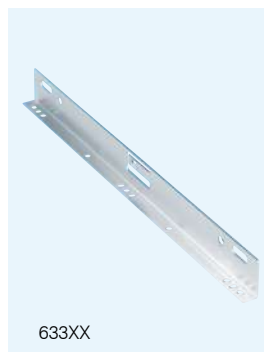
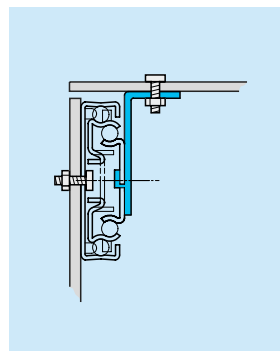
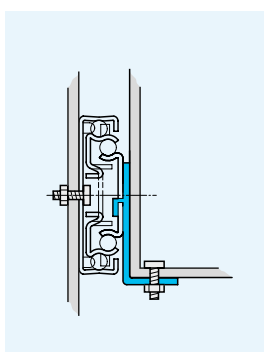
3657	mm										kg	
	SL	TR	A	B	C	D	E	F	G	H	W	L
DZ3657-0012-2	305	305	-	135.4	179.1	204.5	229.9	-	-	228.6	1.79	90
DZ3657-0014-2	356	356	-	186.2	229.9	255.3	280.7	-	-	279.4	2.08	90
DZ3657-0016-2	406	406	-	237.0	280.7	306.1	331.5	-	257.3	330.2	2.50	100
DZ3657-0018-2	457	457	-	287.8	331.5	356.9	382.3	-	308.1	381.0	2.71	110
DZ3657-0020-2	508	508	215.9	338.6	382.3	407.7	433.1	203.2	358.9	431.8	3.02	124
DZ3657-0022-2	559	559	241.3	389.4	433.1	458.5	483.9	228.6	409.7	482.6	3.32	110
DZ3657-0024-2	610	610	266.7	440.2	483.9	509.3	534.7	254.0	460.5	533.4	3.63	100
DZ3657-0026-2	660	660	292.1	491.0	534.7	560.1	585.5	279.4	511.3	584.2	3.95	92
DZ3657-0028-2	711	711	317.5	541.8	585.5	610.9	636.3	304.8	562.1	635.0	4.22	83

- Load rating up to 40kg per pair
- 100% extension
- 12.7mm slide thickness (14mm with mounting bracket)
- Optional clip-on bracket for bottom and platform mounting
- Unhanded push-latchdisconnect
- Hold-in
- Not suitable for flat mounting
- Temperature -20°C to +70°C
- DZ - 12 hours salt spray test

80,000



3732	mm									kg	
	SL	TR	A	B	C	D	E	F	G	W	L
DZ3732-0030	300	292	-	-	-	230.8	224	-	-	0.74	40
DZ3732-0035	350	356	-	-	-	280.8	224	-	-	0.87	40
DZ3732-0040	400	406	-	-	-	330.8	224	-	320	0.99	40
DZ3732-0045	450	457	-	320	-	380.8	224	-	352	1.11	40
DZ3732-0050	500	508	-	320	-	430.8	224	-	416	1.25	40
DZ3732-0055	550	559	-	320	416	480.8	224	352	-	1.37	40
DZ3732-0060	600	610	224	416	-	530.8	224	352	480	1.50	40
DZ3732-0065	650	660	224	416	544	580.8	224	352	544	1.63	40



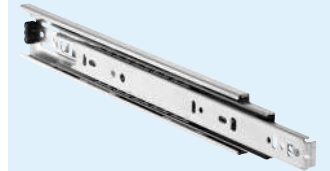
Notes:

- Fixing recommendations: M4 screw/4mm wood screw/6mm Euro screw
- Max. head. ht. 2.5mm/Ø9.6mm
- For optional clip-on brackets, refer to 633xx in "Mounting kits and accessories" section. Not 3732-0030
- Vertical (side) mounting only
- Load ratings quoted are the maximum for a pair of side mounted slides installed 450mm apart, unless otherwise stated. For more information, refer to "How to select a slide" section

- Load rating up to 50kg per pair
- 100% extension
- 12.7mm slide thickness (14mm with mounting bracket)
- Optional clip-on bracket for bottom & platform mounting
- Front disconnect
- Hold-in
- Cam drawer adjust (3.2mm)
- Not suitable for flat mounting
- Temperature -20°C to +70°C
- DZ - 12 hours salt spray test
- DB - 96 hours salt spray test



- Lastwert bis 50kg pro paar
- Vollauszug
- 12,7mm Schienendicke (14mm mit Montagewinkel)
- Optionaler Aufsteckwinkel für Boden- bzw. Plattformmontage
- Frontschnelltrennung
- Rastung in geschlossener Position
- Einstellnocken für Schublade (3,2mm)
- Nicht für Flachmontage geeignet
- Temperatur -20°C bis +70°C
- DZ - 12 Stunden Salzsprühtest
- DB - 96 Stunden Salzsprühtest

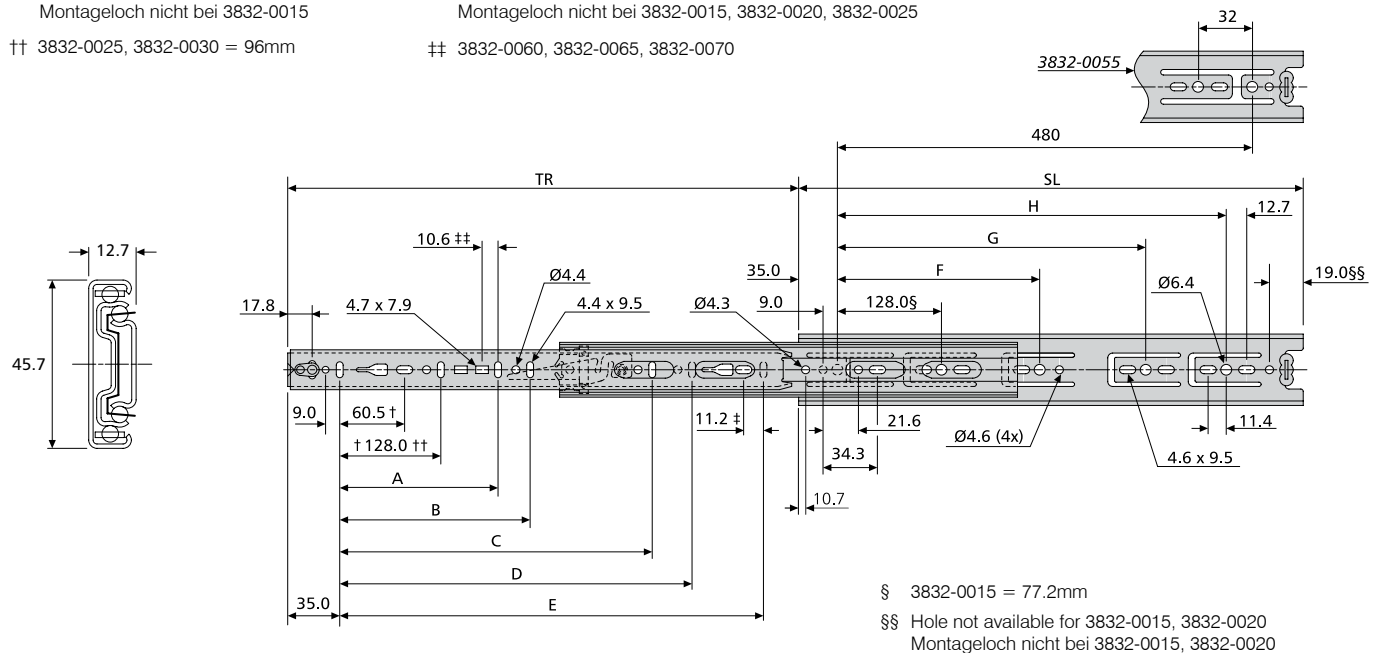


† Hole not available for 3832-0015
Montageloch nicht bei 3832-0015

†† 3832-0025, 3832-0030 = 96mm

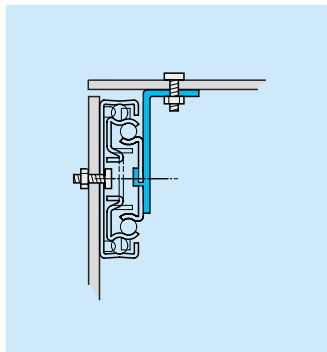
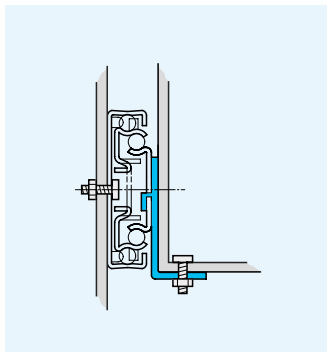
‡ Hole not available for 3832-0015, 3832-0020, 3832-0025
Montageloch nicht bei 3832-0015, 3832-0020, 3832-0025

‡‡ 3832-0060, 3832-0065, 3832-0070



3832	mm										kg	
	SL	TR	A	B	C	D	E	F	G	H	W	L
*3832-0015	148	138	-	-	-	-	96	-	-	-	0.44	45
*3832-0020	199	203	-	-	-	-	141	-	-	-	0.60	46
*3832-0025	250	254	-	-	-	-	192	-	-	-	0.76	47
*3832-0030	300	305	-	-	-	-	242	224	-	-	0.90	48
*3832-0035	350	356	-	-	-	-	292	224	-	-	1.06	49
*3832-0040	400	406	-	-	-	-	342	224	320	-	1.22	50
*3832-0045	450	457	-	-	320	-	392	224	352	-	1.36	50
*3832-0050	500	508	-	-	320	-	442	224	416	-	1.52	50
*3832-0055	550	559	-	-	320	416	492	224	352	448	1.68	50
*3832-0060	600	610	224	-	416	-	542	224	352	480	1.85	50
*3832-0065	650	660	224	-	416	544	592	224	352	544	2.00	49
*3832-0070	700	711	224	288	416	544	642	224	352	544	2.15	48

* Prefix DZ for bright zinc plate, DB for black zinc plate, DW for white electro-plate
 Präfix DZ für helle Oberfläche, DB für schwarze Oberfläche, DW für weiße Oberfläche



633XX



Notes:

- Fixing recommendation: M4 screw/4mm wood screw/6mm Euro screw
- Max. head. ht. 2.5mm/Ø9.6mm
- For optional clip-on brackets, refer to 633xx in "Mounting kits and accessories" section. Not 3832-0015/0020/0025/0030
- Vertical (side) mounting only
- DW3832 – Load rating up to 35kg
- Load ratings quoted are the maximum for a pair of side mounted slides installed 450mm apart, unless otherwise stated. For more information, refer to "How to select a slide" section

Hinweise:

- Empfohlene Befestigung: Schraube M4/ Holzschraube 4mm/Euro-Schraube 6mm
- Max. Kopfhöhe 2,5mm/Ø9,6mm
- Optionale Aufsteckwinkel siehe 633xx in Abschnitt „Montage-Kits und Zubehör“. Nicht 3832-0015/0020/0025/0030
- Nur Vertikalmontage
- DW3832 – Lastwert bis 35kg
- Falls nicht anders angegeben, sind die genannten Tragkräfte die maximal erreichbaren, bei einem Paar seitlich montierten Führungen mit 450mm Schienenabstand. Weitere Information siehe Abschnitt „Schienen-Auswahl“

- Corrosion resistant for harsh environments
- Load rating up to 50kg per pair
- 100% extension
- 12.7mm slide thickness
- 8 times more protection than regular zinc finish
- Stainless steel ball retainer, ball bearings and rivets
- Hold-in
- Front disconnect
- Cam drawer adjust (3.2mm)
- Not suitable for flat mounting
- Temperature -20°C to +70°C
- DH - 96 hours salt spray test

- Korrosionsbeständig für raue Umgebungen
- Lastwert bis 50kg pro paar
- Vollauszug
- 12,7mm Schienendicke
- 8-mal besserer Schutz als bei verzinkten Oberflächen
- Kugelkäfige, Kugeln und Nieten aus Edelstahl
- Rastung in geschlossener Position
- Frontschnelltrennung
- Einstellnocken für Schublade (3,2mm)
- Nicht für Flachmontage geeignet
- Temperatur -20°C bis +70°C
- DH - 96 Stunden Salzsprühstest

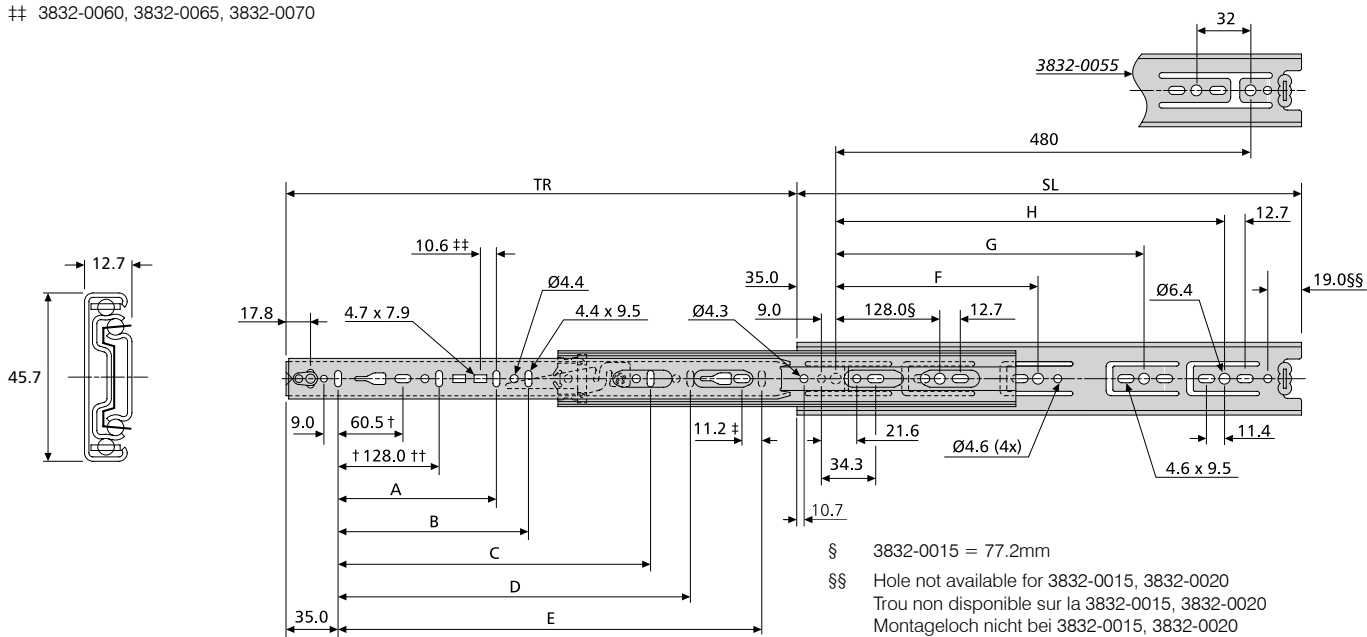


† Hole not available for 3832-0015
Montageloch nicht bei 3832-0015

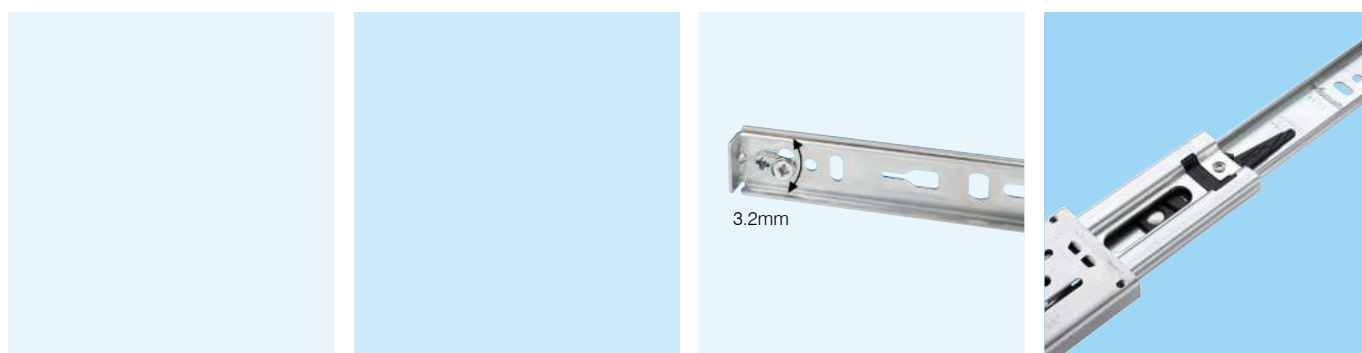
†† 3832-0025, 3832-0030 = 96mm

‡ Hole not available for 3832-0015, 3832-0020, 3832-0025
Montageloch nicht bei 3832-0015, 3832-0020, 3832-0025

‡‡ 3832-0060, 3832-0065, 3832-0070



DH3832	mm										kg	
	SL	TR	A	B	C	D	E	F	G	H	W	L
DH3832-0015	148	138	-	-	-	-	96	-	-	-	0.43	45
DH3832-0020	199	203	-	-	-	-	141	-	-	-	0.61	46
DH3832-0025	250	254	-	-	-	-	192	-	-	-	0.76	47
DH3832-0030	300	305	-	-	-	-	242	224	-	-	0.90	48
DH3832-0035	350	356	-	-	-	-	292	224	-	-	1.06	49
DH3832-0040	400	406	-	-	-	-	342	224	320	-	1.21	50
DH3832-0045	450	457	-	-	320	-	392	224	352	-	1.36	50
DH3832-0050	500	508	-	-	320	-	442	224	416	-	1.51	50
DH3832-0055	550	559	-	-	320	416	492	224	352	448	1.67	50
DH3832-0060	600	610	224	-	416	-	542	224	352	480	1.85	50
DH3832-0065	650	660	224	-	416	544	592	224	352	544	1.98	49
DH3832-0070	700	711	224	288	416	544	642	224	352	544	2.15	48



Notes:

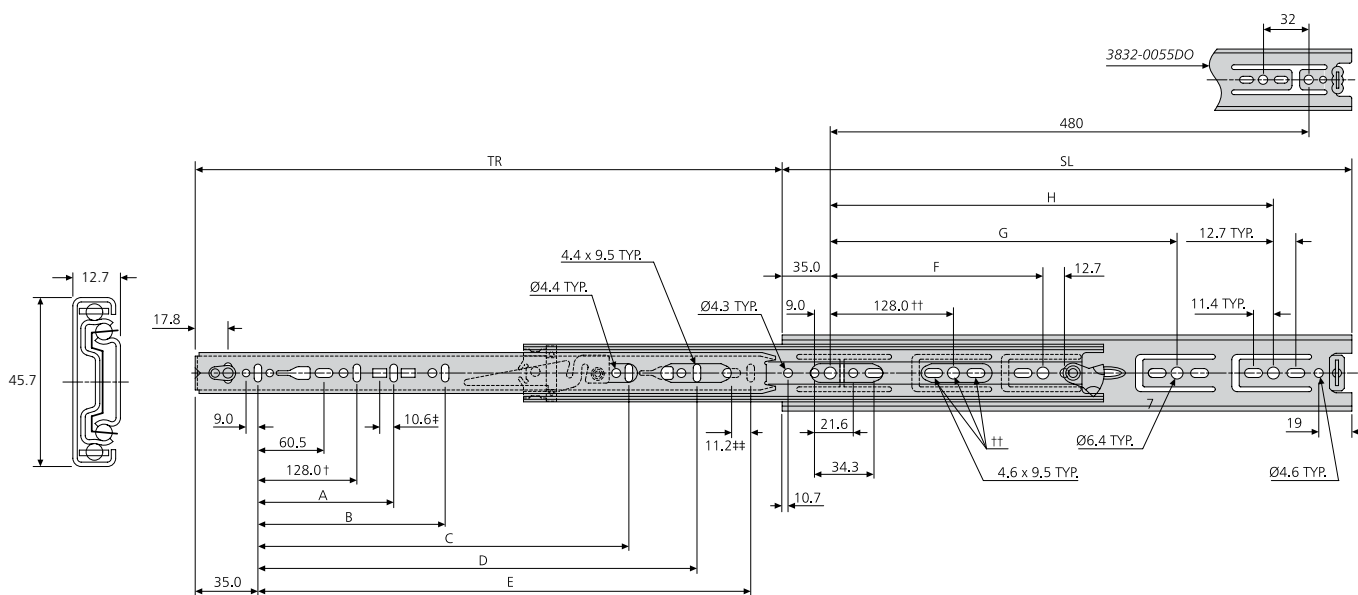
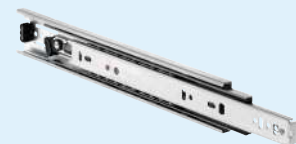
- Fixing recommendation: M4 screw/4mm wood screw/6mm Euro screw
- Max. head. ht. 2.5mm/Ø9.6mm
- Vertical (side) mounting only
- Load ratings quoted are the maximum for a pair of side mounted slides installed 450mm apart, unless otherwise stated. For more information, refer to "How to select a slide" section

Hinweise:

- Empfohlene Befestigung: Schraube M4/ Holzschraube 4mm /Euro-Schraube 6mm
- Max. Kopfhöhe 2,5mm/Ø9,6mm
- Nur Vertikalmontage
- Falls nicht anders angegeben, sind die genannten Tragkräfte die maximal erreichbaren, bei einem Paar seitlich montierten Führungen mit 450mm Schienenabstand. Weitere Information siehe Abschnitt „Schienen-Auswahl“

- Hold-out in open position
- Load rating up to 45/50kg per pair
- 100% extension
- 12.7mm slide thickness (14mm with mounting bracket)
- Optional clip-on bracket for bottom and platform mounting
- Front disconnect
- Hold-in
- Cam drawer adjust (3.2mm)
- Not suitable for flat mounting
- Temperature -20°C to +70°C
- DZ - 12 hours salt spray test

- Rastung in ausgezogener Position
- Lastwert bis 45/50kg pro paar
- Vollauszug
- 12,7mm Schienendicke (14mm mit Montagewinkel)
- Optionaler Aufsteckwinkel für Boden- bzw. Plattformmontage
- Frontschnelltrennung
- Rastung in geschlossener Position
- Einstellnocken für Schublade (3,2mm)
- Nicht für Flachmontage geeignet
- Temperatur -20°C bis +70°C
- DZ - 12 Stunden Salzsprühtest



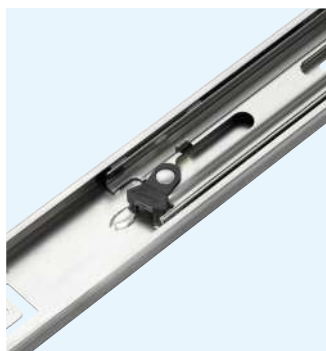
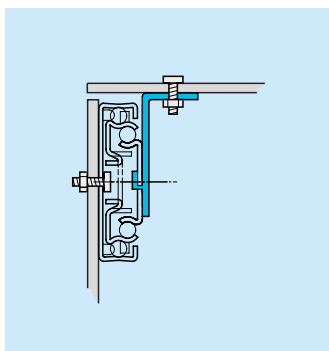
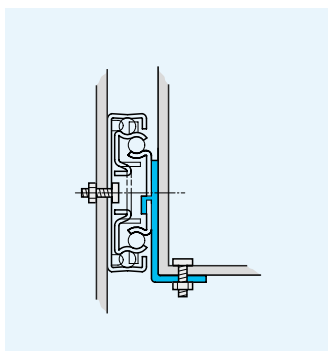
† 3832-0025DO/3832-0030DO – 96mm

†† Hole not available for 3832-0025DO/3832-0030DO
 Montageloch nicht bei 3832-0025DO/3832-0030DO

‡ 3832-0060DO, 3832-0065DO, 3832-0070DO

‡‡ Hole not available for 3832-0025DO
 Montageloch nicht bei 3832-0025DO

3832DO	mm										kg		
	SL	TR	A	B	C	D	E	F	G	H	W	L 10,000	L 80,000
DZ3832-0025DO	250	243	-	-	-	-	192	160	-	-	0.77	47	41
DZ3832-0030DO	300	305	-	-	-	-	242	224	-	-	0.91	48	42
DZ3832-0035DO	350	356	-	-	-	-	292	224	-	-	1.07	49	43
DZ3832-0040DO	400	406	-	-	-	-	342	224	320	-	1.21	50	44
DZ3832-0045DO	450	457	-	-	320	-	392	-	352	-	1.37	50	45
DZ3832-0050DO	500	508	-	-	320	-	442	-	416	-	1.53	50	45
DZ3832-0055DO	550	559	-	-	320	416	492	-	352	-	1.68	50	45
DZ3832-0060DO	600	610	224	-	416	-	542	224	352	480	1.86	50	45
DZ3832-0065DO	650	660	224	-	416	544	592	224	352	544	1.97	49	44
DZ3832-0070DO	700	711	224	288	416	544	642	224	-	544	2.17	48	43



633XX

Notes:

- Fixing recommendation: M4 screw/4mm wood screw/6mm Euro screw
- Max. head. ht. 2.5mm/Ø9.6mm
- For optional clip-on brackets, refer to 633xx in "Mounting kits and accessories" section. Not 3832-0025DO/0030DO
- Vertical (side) mounting only
- Load ratings quoted are the maximum for a pair of side mounted slides installed 450mm apart, unless otherwise stated. For more information, refer to "How to select a slide" section

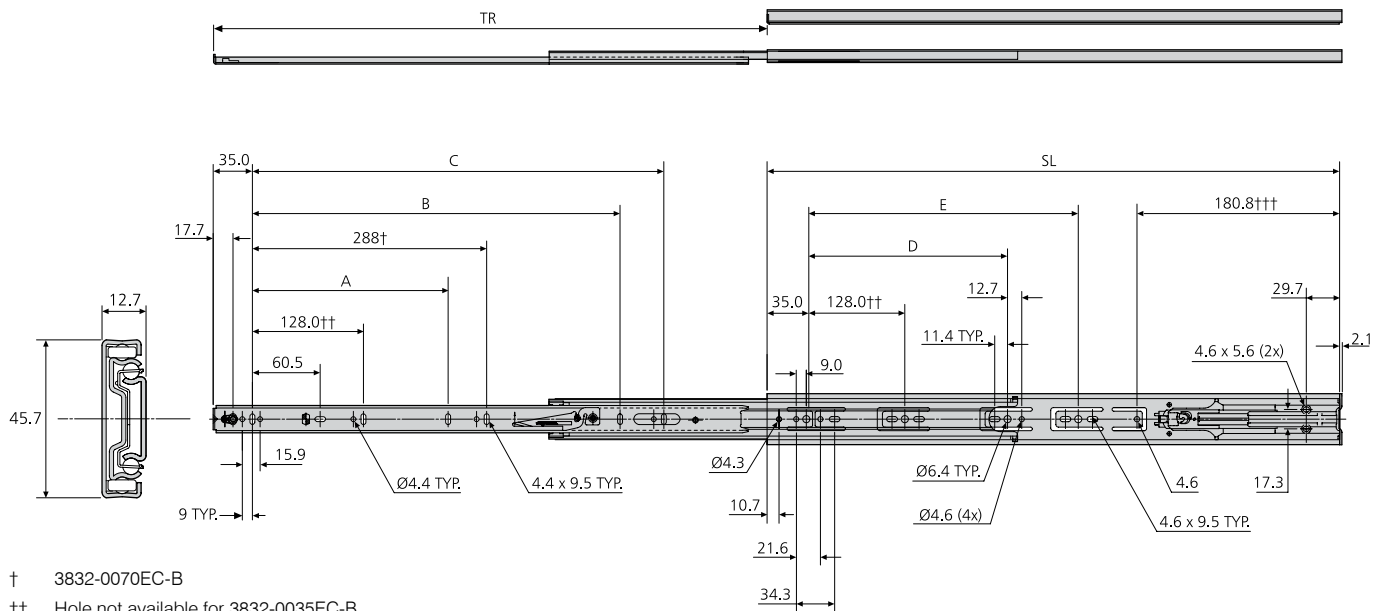
Hinweise:

- Empfohlene Befestigung: Schraube M4/ Holzschraube 4mm/Euro-Schraube 6mm
- Max. Kopfhöhe 2,5mm/Ø9,6mm
- Optionale Aufsteckwinkel siehe 633xx in Abschnitt „Montage-Kits und Zubehör“. Nicht 3832-0025DO/0030DO
- Nur Vertikalmontage
- Falls nicht anders angegeben, sind die genannten Tragkräfte die maximal erreichbaren, bei einem Paar seitlich montierten Führungen mit 450mm Schienenabstand. Weitere Information siehe Abschnitt „Montage-Kits und Zubehör“

- Soft close
- Load rating up to 45kg per pair
- 100% extension
- 12.7mm slide thickness
- Front disconnect
- Hold-in
- Cam drawer adjust (3.2mm)
- Not suitable for flat mounting
- Temperature +10°C to +40°C
- DZ - 12 hours salt spray test
- DB - 96 hours salt spray test

80,000

- Gedämpfter Selbsteinzug
- Lastwert bis 45kg pro paar
- Vollauszug
- 12,7mm Schienendicke
- Frontschnelltrennung
- Einhalterung in geschlossener Position
- Einstellnocken für Schublade (3,2mm)
- Nicht für Flachmontage geeignet
- Temperatur +10°C bis +40°C
- DZ - 12 Stunden Salzsprühstest
- DB - 96 Stunden Salzsprühstest



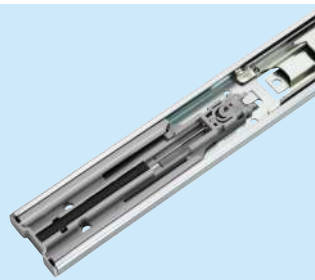
† 3832-0070EC-B
 †† Hole not available for 3832-0035EC-B
 ††† Hole not available for 3832-0045EC-B/0060EC-B

3832EC-B	mm							kg	
	SL	TR	A	B	C	D	E	W	L
*3832-0035EC-B	350	310	-	206	-	-	-	0.97	43
*3832-0040EC-B	400	406	-	257	-	-	-	1.12	44
*3832-0045EC-B	450	457	-	305	-	224	-	1.27	45
*3832-0050EC-B	500	508	-	352	-	224	-	1.44	45
*3832-0055EC-B	550	559	-	407	352	224	-	1.60	45
*3832-0060EC-B	600	610	224	-	416	224	352	1.77	45
*3832-0065EC-B	650	660	224	-	416	224	352	1.92	44
*3832-0070EC-B	700	711	224	-	544	224	352	2.09	43

* Prefix DZ for bright zinc plate, DB for black zinc plate

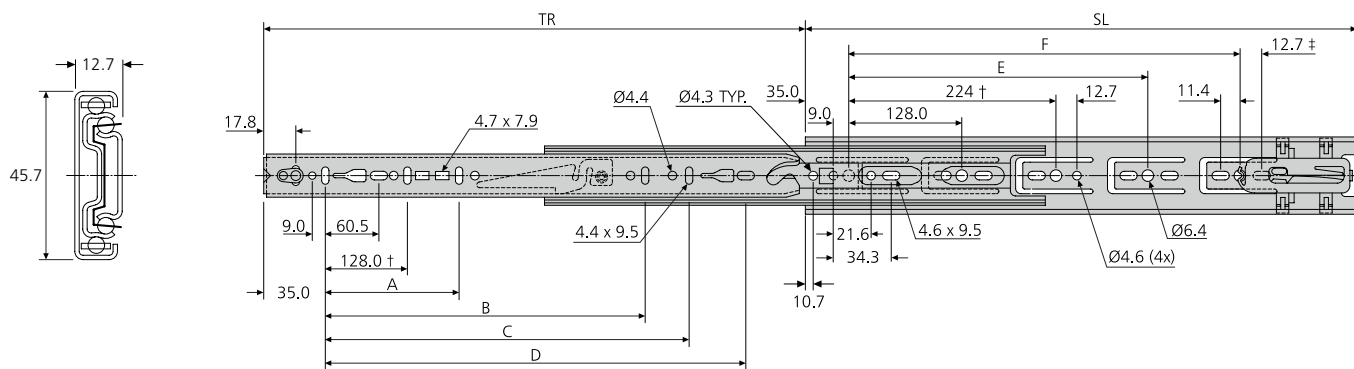
Notes:

- Fixing recommendation: M4 screw/4mm wood screw/6mm Euro screw
- Max. head. ht. 2.5mm/Ø9.6mm
- Use for side (vertical) mount only
- Vertical (side) mounting only
- Drawer width should not exceed slide length
- Operating range 10°C – 40°C
- More info: "How to select a slide" section



- Two self-close options
- Closing/opening force –
 SC: 14 – 27 N per slide
 HDSC: 27 – 41 N per slide
- Load rating up to 45/50kg per pair
- 100% extension
- 12.7mm slide thickness (14mm with mounting bracket)
- Optional clip-on bracket for bottom and platform mounting
- Front disconnect
- Hold-in
- Cam drawer adjust (3.2mm)
- Not suitable for flat mounting
- Temperature -20°C to +70°C
- DZ - 12 hours salt spray test
- DB - 96 hours salt spray test

- 2 Selbsteinzugs-Varianten
- Schließ/Öffnungs-Kraft
 SC: 14 – 27 N pro Schiene
 HDSC: 27 – 41 N pro Schiene
- Lastwert bis 45/50kg pro paar
- Vollauszug
- 12,7mm Schienendicke (14mm mit Montagewinkel)
- Optionaler Aufsteckwinkel für Boden- bzw. Plattformmontage
- Frontschnelltrennung
- Rastung in geschlossener Position
- Einstellnocken für Schublade (3,2mm)
- Nicht für Flachmontage geeignet
- Temperatur -20°C bis +70°C
- DZ - 12 Stunden Salzsprühtest
- DB - 96 Stunden Salzsprühtest

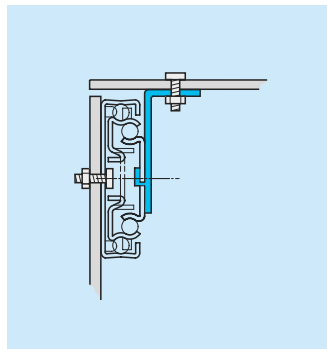
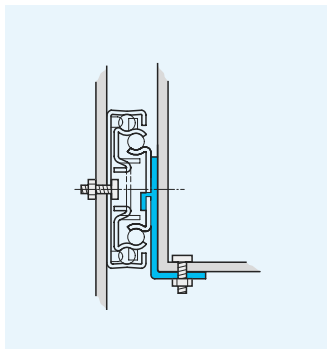


† Hole not available for 3832-0030SC/HDSC
 Montageloch nicht bei 3832-0030SC/HDSC

‡ Hole not available for 3832-0040SC/HDSC & 3832-0050SC/HDSC
 Montageloch nicht bei 3832-0040SC/ HDSC & 3832-0050SC/HDSC

3832SC/ 3832HDSC	mm								kg		
	SL	TR	A	B	C	D	E	F	W	L 10,000	L 80,000
*3832-0030SC	300	286	-	-	-	231	-	-	0.90	48	42
DZ3832-0030HDSC	300	286	-	-	-	231	-	-	0.90	48	42
*3832-0035SC	350	356	-	-	-	281	-	-	1.04	49	43
DZ3832-0035HDSC	350	356	-	-	-	281	-	-	1.04	49	43
*3832-0040SC	400	406	-	-	-	331	288	-	1.20	50	44
DZ3832-0040HDSC	400	406	-	-	-	331	288	-	1.20	50	44
*3832-0045SC	450	457	-	320	-	381	320	-	1.33	50	45
DZ3832-0045HDSC	450	457	-	320	-	381	320	-	1.33	50	45
*3832-0050SC	500	508	-	-	-	432	384	-	1.50	50	45
DZ3832-0050HDSC	500	508	-	-	-	432	384	-	1.50	50	45
*3832-0055SC	550	559	-	416	-	481	416	-	1.67	50	45
DZ3832-0055HDSC	550	559	-	416	-	481	416	-	1.67	50	45
*3832-0060SC	600	610	224	416	-	531	352	480	1.82	50	45
DZ3832-0060HDSC	600	610	224	416	-	531	352	480	1.82	50	45
*3832-0065SC	650	660	224	416	544	581	352	512	1.96	49	44
DZ3832-0065HDSC	650	660	224	416	544	581	352	512	1.96	49	44

* 3832SC only prefix DZ for bright zinc plate, DB for black zinc plate, DW for white electro-plate
 Nur bei 3832SC, Präfix DZ für helle Oberfläche, DB für schwarze Oberfläche, DW für weiße Oberfläche



Notes:

- Fixing recommendation: M4 screw/4mm wood screw/6mm Euro screw
- Max. head. ht. 2.5mm/Ø9.6mm
- For optional clip-on brackets, refer to 633xx in "Mounting kits and accessories" section. Not 3832-0030SC/HDSC
- Vertical (side) mounting only
- Drawer width should not exceed slide length
- DW3832SC – Load rating up to 45kg
- Not for lateral file drawer applications or where the drawer is wider than it is deep
- Load ratings quoted are the maximum for a pair of side mounted slides installed 450mm apart, unless otherwise stated. For more information, refer to "How to select a slide" section

Hinweise:

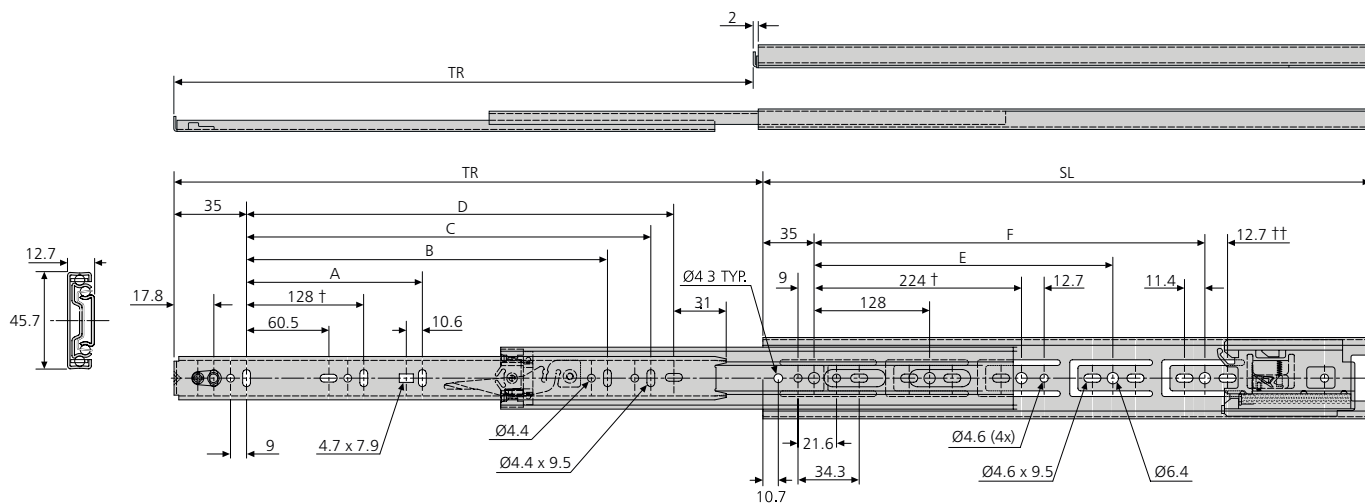
- Empfohlene Befestigung: Schraube M4/ Holzschraube 4mm/Euro-Schraube 6mm
- Max. Kopfhöhe 2,5mm/Ø9,6mm
- Optionale Aufsteckwinkel siehe 633xx in Abschnitt 'Montage-Kits und Zubehör'. Nicht für 3832-0030SC/HDSC
- Nur Vertikalmontage
- Schubbreite sollte nicht grosser als die Schienenlänge sein
- DW3832SC – Lastwert bis 45kg
- Nicht für Aktenauszüge oder wo der Schub breiter als seine Tiefe ist
- Falls nicht anders angegeben, sind die genannten Tragkräfte die maximal erreichbaren, bei einem Paar seitlich montierten Führungen mit 450mm Schienenabstand. Weitere Information siehe Abschnitt 'Schienen-Auswahl'

- Touch release – push drawer front to open or close
- Opens drawers approximately 50-125mm from the closed position
- Activation force:
 3832TR = 22 N
 3832HDTR = 35 N
- Load rating up to 45kg per pair
- Stay-closed feature
- Heavy duty stay-closed option 3832HDTR
- 100% extension
- 12.7mm slide thickness
- Front disconnect
- Hold-in
- Cam drawer adjust (3.2mm)
- Not suitable for flat mounting
- Temperature -20°C to +70°C
- DZ - 12 hours salt spray test
- DB - 96 hours salt spray test

- Touch release – auf die Schublade drücken zum Öffnen oder Schliessen
- Schubladen werden um ca. 50mm-125mm aus der geschlossenen Position ausgezogen
- Aktivierungskraft:
 3832TR = 22 N
 3832HDTR = 35 N
- Lastwert bis 45kg pro paar
- Schliessfunktion
- Optionale stärkere Schliessfunktion 3832HDTR
- Vollauszug
- 12,7mm Schienendicke
- Frontschnelltrennung
- Rastung in geschlossener Position
- Einstellnocken für Schublade (3,2mm)
- Nicht für Flachmontage geeignet
- Temperatur -20°C bis +70°C
- DZ - 12 Stunden Salzsprühtest
- DB - 96 Stunden Salzsprühtest

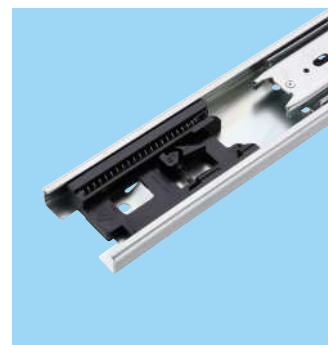


80,000



† Hole not available for 3832-0030TR/HDTR
 Montageloch nicht bei 3832-0030TR/HDTR

†† Hole not available for 3832-0040/50/60TR/HDTR
 Montageloch nicht bei 3832-0040/50/60TR/HDTR



3832TR/ 3832HDTR	mm								kg	
	SL	TR	A	B	C	D	E	F	W	L
*3832-0030TR	300	305	-	-	-	192	-	-	0.83	42
DZ3832-0030HDTR	300	305	-	-	-	192	-	-	0.83	42
*3832-0035TR	350	356	-	-	-	242	-	-	0.98	43
DZ3832-0035HDTR	350	356	-	-	-	242	-	-	0.98	43
*3832-0040TR	400	406	-	-	-	292	288	-	1.13	44
DZ3832-0040HDTR	400	406	-	-	-	292	288	-	1.13	44
*3832-0045TR	450	457	-	320	-	342	320	-	1.31	45
DZ3832-0045HDTR	450	457	-	320	-	342	320	-	1.31	45
*3832-0050TR	500	508	-	320	-	392	384	-	1.47	45
DZ3832-0050HDTR	500	508	-	320	-	392	384	-	1.47	45
*3832-0055TR	550	559	224	416	-	442	416	-	1.62	45
DZ3832-0055HDTR	550	559	224	416	-	442	416	-	1.62	45
*3832-0060TR	600	610	224	416	-	492	352	480	1.75	45
DZ3832-0060HDTR	600	610	224	416	-	492	352	480	1.75	45
*3832-0065TR	650	660	224	416	512	542	352	512	1.89	44
DZ3832-0065HDTR	650	660	224	416	512	542	352	512	1.89	44
*3832-0070TR	700	711	224	416	512	592	352	544	2.06	43
DZ3832-0070HDTR	700	711	224	416	512	592	352	544	2.06	43

* 3832TR only prefix DZ for bright zinc plate, DB for black zinc plate, DW for white electro-plate
 Nur bei 3832TR, Präfix DZ für helle Oberfläche, DB für schwarze Oberfläche, DW für weiße Oberfläche

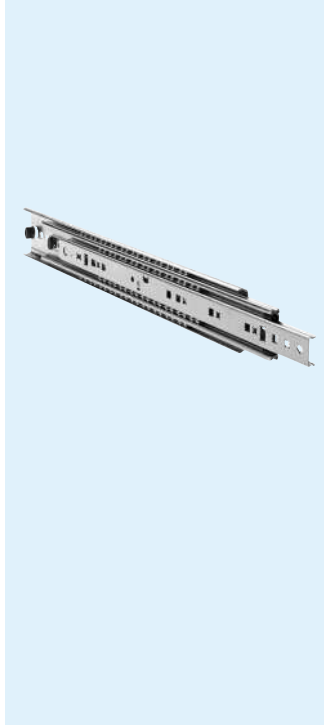
Notes:

- Fixing recommendation: M4 screw/4mm wood screw/6mm Euro screw
- Max. head. ht. 2.5mm/Ø9.6mm
- Use for side (vertical) mount only
- Drawer width should not exceed slide length
- Not for lateral file drawer applications or where the drawer is wider than it is deep
- Load ratings quoted are the maximum for a pair of side mounted slides installed 450mm apart, unless otherwise stated. For more information, refer to "How to select a slide" section

Hinweise:

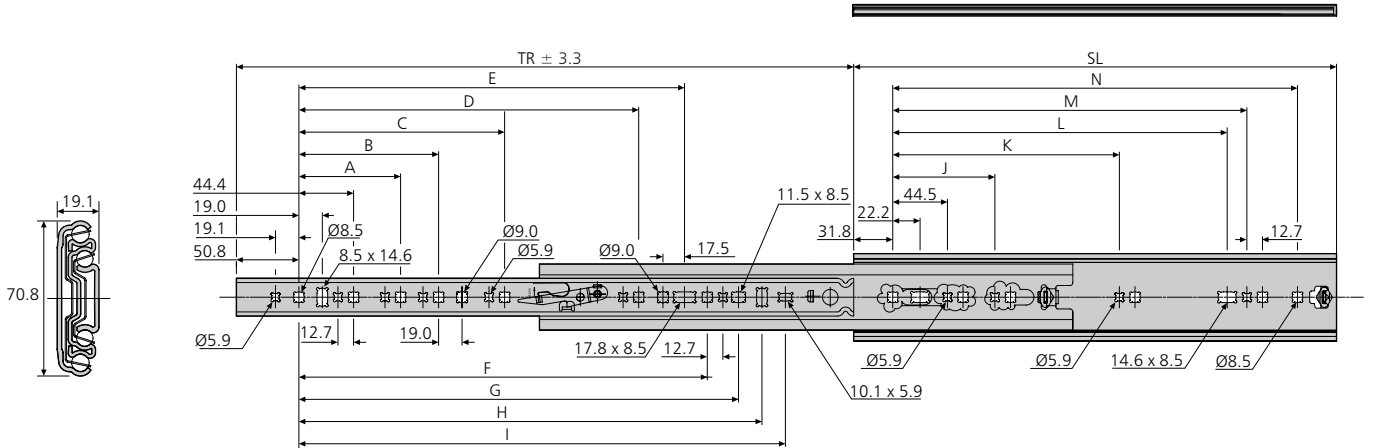
- Empfohlene Befestigung: Schraube M4/ Holzschraube 4mm /Euro-Schraube 6mm
- Max. Kopfhöhe 2,5mm/Ø9,6mm
- Nur für seitliche Montage geeignet
- Schubbreite sollte nicht grösser als die Schienenlänge sein
- Nicht für Aktenauszüge oder wo der Schub breiter als seine Tiefe ist
- Falls nicht anders angegeben, sind die genannten Tragkräfte die maximal erreichbaren, bei einem Paar seitlich montierten Führungen mit 450mm Schienenabstand. Weitere Information siehe Abschnitt 'Schienen-Auswahl'

- Load rating up to 160kg per pair
- 100% extension
- 19.1mm slide thickness
- Suitable for drawers up to 1000mm wide
- Hold-in
- Front disconnect
- Optional bracket kits for various mounting options
- Suitable for flat mounting
- Flat mounting reduces load rating by 75%
- Temperature -20°C to +70°C
- DZ - 12 hours salt spray test



Notes:

- Fixing recommendation: M5/M6 countersunk screw
- We recommend that a centrally positioned pull handle is used on wide drawers
- Handed slide assembly – levers move in same direction when pair of slides installed
- For bracket accessory kit see 634xx. The fixings included will not fit the 7957 slide. We recommend using M6 countersunk screws, or order a fixing kit from Accuride, order code 22409611



7957	mm																kg	
	SL	TR	A	B	C	D	E	F	G	H	I	J	K	L	M	N	W	L
DZ7957-0012-2	304.8	304.8	-	-	-	-	-	-	-	179.4	198.5	-	-	184.2	200.2	241.3	2.38	140
DZ7957-0014-2	355.6	355.6	-	-	-	-	-	-	-	230.2	249.3	-	-	235.0	251.0	292.1	2.80	140
DZ7957-0016-2	406.4	406.4	108.0	-	-	-	-	236.6	262.0	281.0	300.1	-	-	285.8	301.8	342.9	3.19	150
DZ7957-0018-2	457.2	457.2	108.0	-	-	-	-	287.4	312.8	331.8	350.9	-	-	336.6	352.6	393.7	3.62	150
DZ7957-0020-2	508.0	508.0	108.0	171.5	-	-	-	338.2	363.6	382.6	401.7	-	-	387.4	403.4	444.5	4.03	160
DZ7957-0022-2	558.8	558.8	108.0	171.5	-	-	328.7	389.0	414.4	433.4	452.5	-	-	438.2	454.2	495.3	4.42	160
DZ7957-0024-2	609.6	609.6	108.0	171.5	-	-	379.5	439.8	465.2	484.2	503.3	-	-	489.0	505.0	546.1	4.84	160
DZ7957-0026-2	660.4	660.4	108.0	171.5	-	-	430.3	490.6	516.0	535.0	554.1	-	-	539.8	555.8	596.9	5.27	160
DZ7957-0028-2	711.2	711.2	108.0	171.5	-	-	481.1	541.4	566.8	585.8	604.9	-	-	590.6	606.6	647.7	5.88	160
DZ7957-0030-2	762.0	762.0	108.0	171.5	-	-	531.9	592.2	617.6	636.6	655.7	203.2	469.9	641.4	657.4	698.5	6.06	160
DZ7957-0032-2	812.8	812.8	108.0	171.5	-	-	582.7	643.0	668.4	687.4	706.5	203.2	520.7	692.2	708.2	749.3	6.48	160
DZ7957-0034-2	863.6	863.6	108.0	171.5	349.3	-	633.5	693.8	719.2	738.2	757.3	203.2	571.5	743.0	759.0	800.1	6.88	160
DZ7957-0036-2	914.4	914.4	108.0	171.5	349.3	501.7	684.3	744.6	770.0	789.0	808.1	203.2	622.3	793.8	809.8	850.9	7.29	160

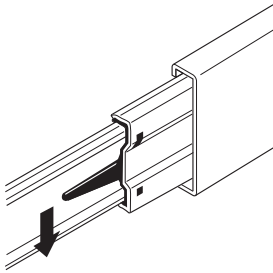
Full extension

Load bearing capacity up to 30 kg

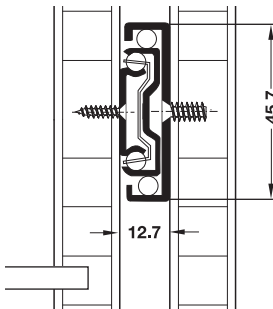


- > Material: Steel
- > Finish: Galvanized
- > Version: With stop
- > Installation: For screw fixing at the side

Functionality

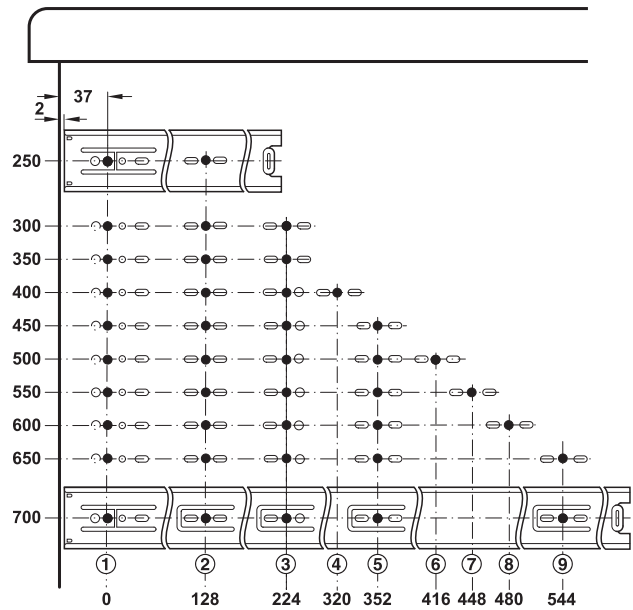


Installation



Side mounted

Drilling pattern

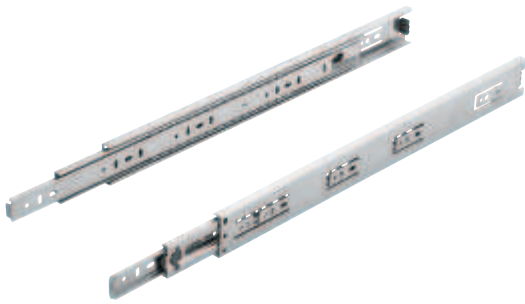


Installation length mm	Extension length AL mm	Cat. No.
250	250	420.50.627
300	300	420.50.632
350	350	420.50.637
400	400	420.50.642
450	450	420.50.647
500	500	420.50.652
550	550	420.50.657
600	600	420.50.662
650	650	420.50.667
700	700	420.50.672

Packing: 1 or 5 pairs

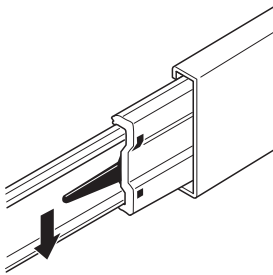
Full extension

Load bearing capacity up to 45 kg

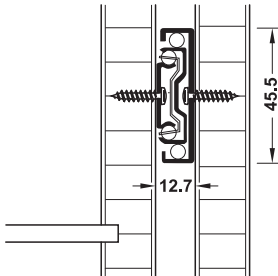


- > Material: Steel
- > Finish/colour: Galvanized
- > Version: With stop
- > Installation: For screw fixing at the side

Functionality

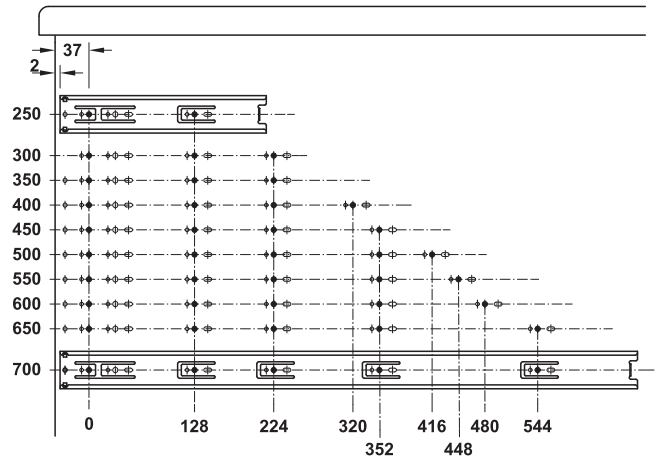


Installation



Side mounted

Drilling pattern



Installation length mm	Extension length AL mm	Load bearing capacity kg	Cat. No.
250	250	30	432.21.970
300	300	35	432.21.971
350	350	40	432.21.972
400	400	45	432.21.973
450	450	45	432.21.974
500	500	45	432.21.975
550	550	45	432.21.976
600	600	40	432.21.977
650	650	40	432.21.978
700	700	35	432.21.979

Packing: 1 or 5 pairs