



METALIKA
KOMPONENTE ZA INDUSTRIJO **KACIN**

Telescopic slides

Load capacity < 65 kg/pair

English / German versions

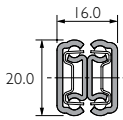
www.METALIKA-KACIN.com

Telescopic slides

Teleskopschienen

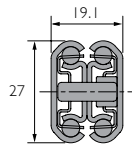
100% extension / Vollauszug

2431



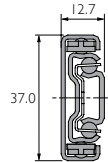
20kg **p43**

2731CL



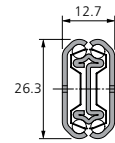
30kg **p48**

3732



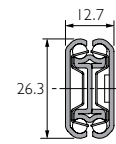
40kg **p77**

2601



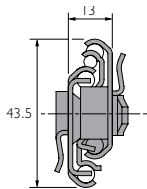
45kg **p44**

2642



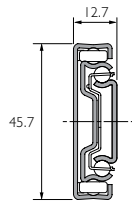
45kg **p45**

7400-50SC



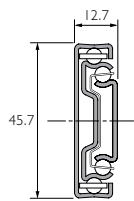
45kg **p119**

3832EC-B



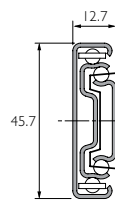
45kg **p85**

3832TR/HDTR



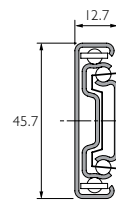
45kg **p89**

3832DO



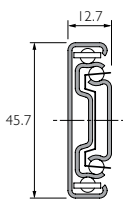
45/50kg **p83**

3832SC/HDSC



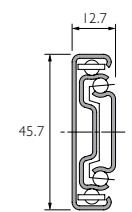
45/50kg **p87**

3832



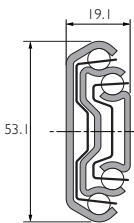
50kg **p79**

DH3832



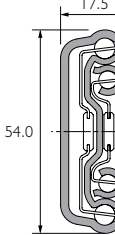
50kg **p81**

DA5321



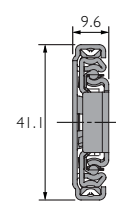
50kg **p99**

5417EC



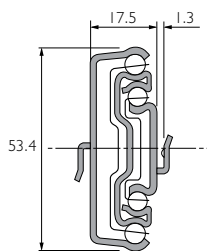
55kg **p114**

2907



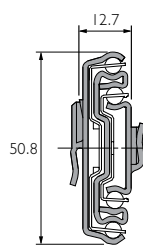
55kg **p52**

5517-50



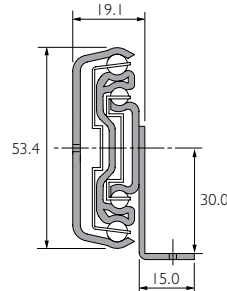
55kg **p116**

3320-50



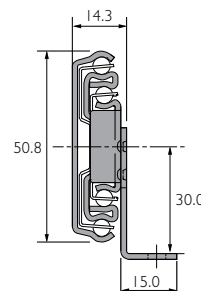
60kg **p64**

5517-60



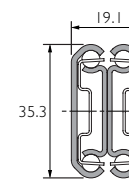
60kg **p117**

3301-60



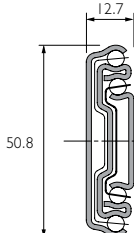
60kg **p57**

DS0330



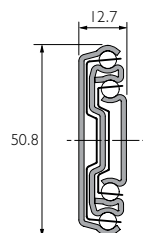
65/80kg **p27**

3301



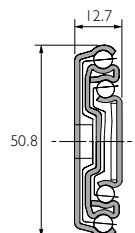
68kg **p56**

3307



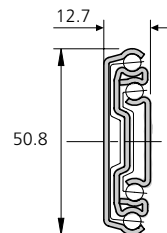
68kg **p60**

3308



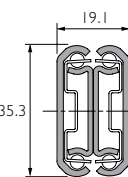
68kg **p62**

3357



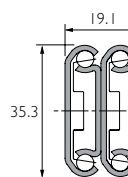
68kg **p65**

0301



70kg **p23**

0305



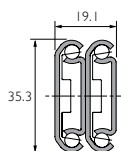
70kg **p25**

Telescopic slides

Teleskopschienen

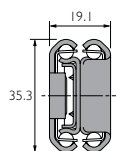
100% extension / Vollauszug

DS0305



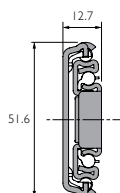
70kg **p26**

DS3031



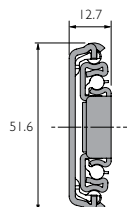
75kg **p53**

3507



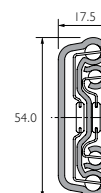
82kg **p67**

DS3557



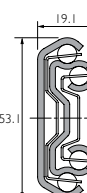
90kg **p69**

5417



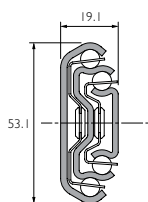
90/100kg **p113**

5343/5344



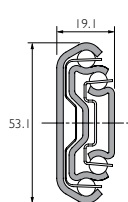
100kg **p111**

5321EC



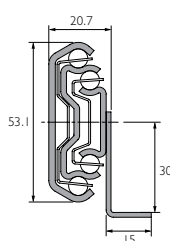
100kg **p104**

3607



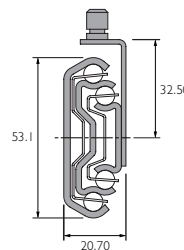
120kg **p71**

5321-60



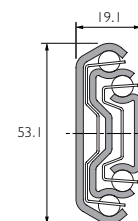
120kg **p107**

DS5322



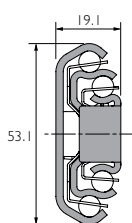
120kg **p109**

5321SC



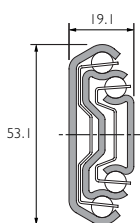
120kg **p106**

3657



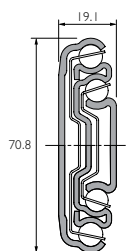
124kg **p75**

5321



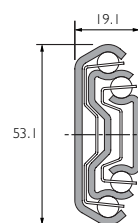
140/160kg **p102**

7957



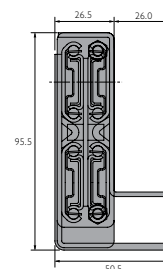
160kg **p121**

DS5321



160/180kg **p100**

0522



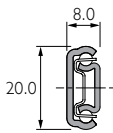
180kg **p29**

Telescopic slides

Teleskopschienen

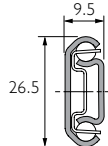
75% extension / course 75% / Vollauszug

2421



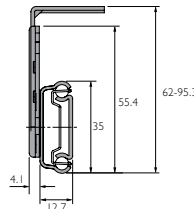
16kg p42

DS2728



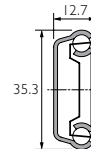
20kg p46

2109



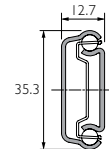
35kg p36

2132



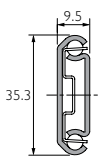
35/50kg p38

2132DO



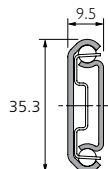
35/50kg p40

0201



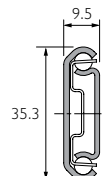
50kg p20

0204



65kg p21

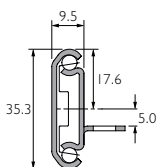
DS2028



60/65kg p34

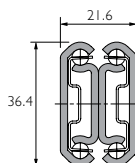
Two-way travel / Auszug in beide Richtungen

2002



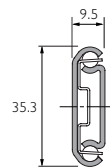
35kg p31

3630



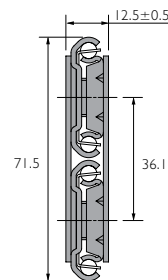
45kg p73

2026



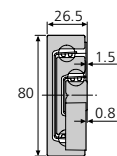
50kg p33

6026



100kg p118

DA4165



270kg p97

Model / Schienenummer	Load (kg) / Last kg	Page / Seite
Hold-out (DO) / Rastung in ausgezogener Position		
2109	35	36
2132DO	35/50	40
2026	50	33
1312	60	149
3306DO	68	58
3832DO	45/50	83
Self-close (SC) / Selbsteinzug		
3832SC/3832HDSC	45/50	87
7400-50SC	45	119
5321SC	120	106
Soft-close (EC) / Gedämpfter Selbsteinzug		
3832EC-B	45	85
5417EC	55	114
5321EC	100	104
Push-to-open (TR) / Touch Release		
3832TR/3832HDTR	45	89
Lock-in / Verriegelung eingefahrener		
2731CL	30	48
3306DO	68	58
3308	68	62
9308-E4	272	127
Lock-out / Verriegelung ausgezogen		
2807	45	50
2907	55	52
0204	65	21
3307	68	60
3308	68	62
0305	70	25
DS0305	70	26
3507	82	67
DS3557	90	69
3607	120	71
9308-E4	272	127
Disconnect / Trennen		
2109	35	36
2132	35/50	38
2132DO	35/50	40
3732	40	77
2807	45	50
3832EC-B	45	85
3832TR/3832HDTR	45	89

Produkte Optionen

Model / Schienennummer	Load (kg) / Last kg	Page / Seite
3832DO	45/50	83
3832SC/3832HDSC	45/50	87
3832	50	79
DH3832	50	81
2907	55	52
3320-50	60	64
0204	65	21
3306DO	68	58
3307	68	60
3308	68	62
3357	68	65
0305	70	25
DS0305	70	26
3507	82	67
DS3557	90	69
3607	120	71
3657	124	75
7957	160	121
Corrosion resistant / Korrosionsbeständige		
DS2728	20	46
DH3832	50	81
DA5321	50	99
DS2028	60/65	34
DA4190	65	208
DS0330	65/80	27
DS0305	70	26
DS3031	75	53
DS3557	90	69
DS5322	120	109
DA0115RC/RCH	130	141
DS5321	160/180	100
DA4165	270	97
DP9301-E	272	123
DA4160	300	95
DA0116RC	360	144
DA4120	438/550	91
DA4140	400/600	93
Two-way travel / Zwei-Wege-Reise		
2002	35	31
3630	45	73
2026	50	33
6026	100	118
DA4165	270	97

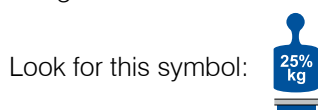
This catalogue offers the most popular telescopic slides and is designed to assist you in selecting the most suitable slide for your application.

Specialist slides are available for specific applications and your local Accuride distributor or sales representative can help you in identifying the correct choice.

For specialist applications, where the slides are exposed to vibration and/or rough usage, or where frequency of access is high, the load ratings quoted may not be applicable.

2D and 3D CAD drawings and further technical information can be downloaded through www accuride-europe.com

- Dimensions in millimetres.
- All fixing positions must be used to achieve maximum load rating
- If slides are mounted horizontally (flat mount) the load rating is decreased to approximately 25% of the vertical load rating. See datasheets for slides that can be horizontally mounted. Flat mounting reduces load rating by 75%.



- Loads (L) are given in kg per pair. Weights (W) are given in unit of measure sold unless otherwise stated. Where the product is supplied as a kit, the weight given is for the complete kit



- When a slide is available in more than one colour, the two-letter prefix on the order code should be changed accordingly. The order code is made up as follows:

Finish	Slide number	Slide length	Feature	No. in kit	Revision
DZ	9999	-0045	EC	-2	-A

Slide ordering prefixes are:

- DZ – electro zinc plate and blue passivate
- DB – electro zinc plate and black passivate
- DW – white
- DH – corrosion resistant (up to 96 hours)
- DS – stainless steel
- DA – aluminium
- DP – corrosion resistant (up to 500 hours)
- DFG – friction guides

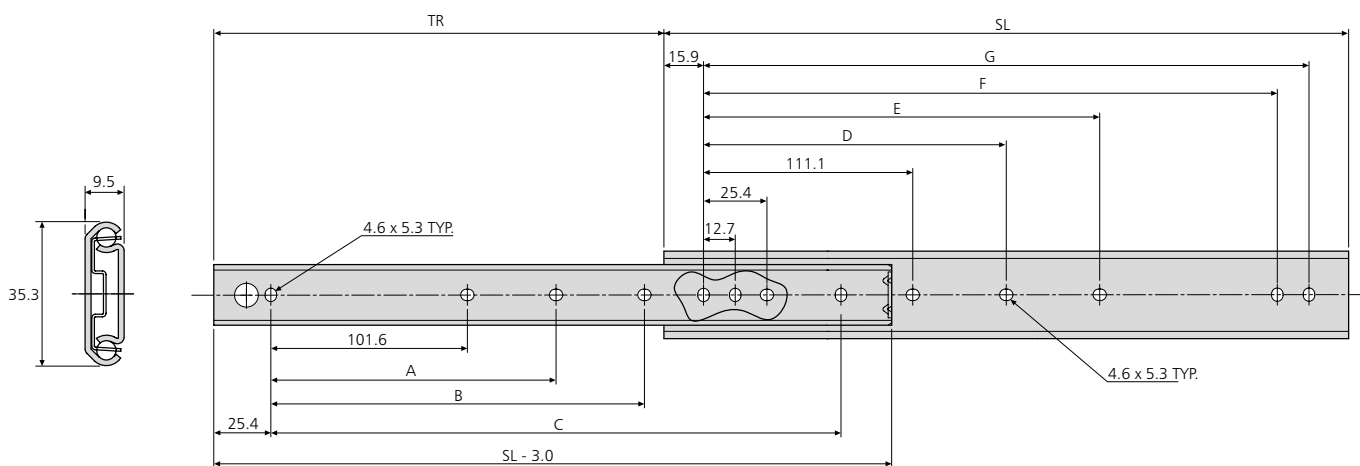
Technical support

- Please visit the Help and technical support pages on our website, www accuride-europe.com, for the most current technical information or use the on-line request form to contact us by email
- Accuride publishes regular technical articles with helpful videos on our website and YouTube page. You can also view and download our guide to Telescopic ball bearing slides. www accuride-europe.com/help/video-guides
- Please read “**How to select a slide**” section

- Load rating up to 50kg per pair
- 75% extension
- 9.5mm slide thickness
- Basic, two-section slide
- Optional enclosure mounting brackets
- Suitable for flat mounting
- Flat mounting reduces load rating by 75%
- Temperature -20°C to +110°C
- DZ - 12 hours salt spray test



- Lastwert bis 50kg pro paar
- Teilauszug
- 9,5mm Schienendicke
- Einfache, zweiteilige Schiene
- Optionale Gehäuse-Montagewinkel
- Für Flachmontage geeignet
- Flachmontage reduziert den Lastwert um 75%
- Temperatur -20°C bis +110°C
- DZ - 12 Stunden Salzsprühtest



0201	mm									kg	
	SL	TR	A	B	C	D	E	F	G	W	L
DZ0201-0012	305	227	-	152.4	254.0	-	149.2	260.3	273.0	0.64	50
DZ0201-0014	356	277	-	203.2	304.8	-	200.0	311.1	323.8	0.73	50
DZ0201-0016	406	302	-	254.0	355.6	-	250.8	361.9	374.6	0.83	45
DZ0201-0018	457	328	203.2	304.8	406.4	212.7	301.6	412.7	425.4	0.94	45
DZ0201-0020	508	379	228.6	355.6	457.2	238.1	352.4	463.5	476.2	0.97	40
DZ0201-0022	559	405	254.0	406.4	508.0	263.5	403.2	514.3	527.0	1.07	40
DZ0201-0024	610	429	279.4	457.2	558.8	288.9	454.0	565.1	577.8	1.17	35
DZ0201-0026	660	481	304.8	508.0	609.6	314.3	504.8	615.9	628.6	1.26	30
DZ0201-0028	711	506	330.2	558.8	660.4	339.7	555.6	666.8	679.4	1.45	30

Notes:

- Fixing recommendation: M4 screw
- Max. head. ht. 2.5mm/Ø9.6mm
- For enclosure mounting brackets, refer to "Mounting kits and accessories" section
- For cable carriers, refer to "Mounting kits and accessories" section
- Load ratings quoted are the maximum for a pair of side mounted slides installed 450mm apart, unless otherwise stated. For more information, refer to "How to select a slide" section

Hinweise:

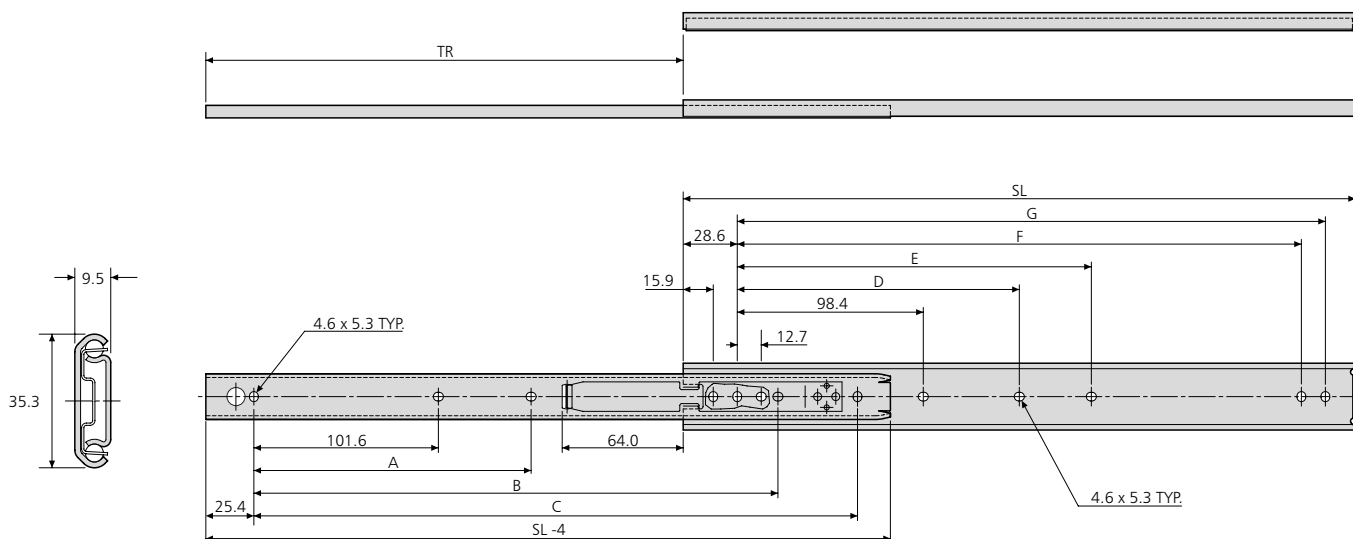
- Empfohlene Befestigung: Schraube M4
- Max. Kopfhöhe 2,5mm/Ø9,6mm
- Gehäuse-Montagewinkel siehe Abschnitt 'Montage-Kits und Zubehör'
- Kabelträger siehe Abschnitt 'Montage-Kits und Zubehör'
- Falls nicht anders angegeben, sind die genannten Tragkräfte die maximal erreichbaren, bei einem Paar seitlich montierten Führungen mit 450mm Schienenabstand. Weitere Information siehe Abschnitt 'Schienen-Auswahl'

- Load rating up to 65kg per pair
- 75% extension slide
- 9.5mm slide thickness
- Front disconnect
- Lock-out
- Optional enclosure mounting brackets
- Suitable for flat mounting
- Flat mounting reduces load rating by 75%
- Temperature -20°C to +70°C
- DZ - 12 hours salt spray test

- Lastwert bis 65kg pro paar
- Teilauszug
- 9,5mm Schienendicke
- Frontschnelltrennung
- Verriegelung ausgezogen
- Optionale Gehäuse-Montagewinkel
- Für Flachmontage geeignet
- Flachmontage reduziert den Lastwert um 75%
- Temperatur -20°C bis +70°C
- DZ - 12 Stunden Salzsprühtest

Notes:

- Fixing recommendation: M4 screw
- Max. head. ht. 2.5mm/Ø9.6mm
- For enclosure mounting brackets, refer to "Mounting kits and accessories" section
- For cable carriers, refer to "Mounting kits and accessories" section
- Load ratings quoted are the maximum for a pair of side mounted slides installed 450mm apart, unless otherwise stated. For more information, refer to "How to select a slide" section



0204	mm									kg	
	SL	TR	A	B	C	D	E	F	G	W	L
DZ0204-0012	305	201.5	-	215.9	254.0	-	136.5	247.6	260.3	0.63	65
DZ0204-0014	356	252.5	-	266.7	304.8	-	187.3	298.4	311.1	0.73	65
DZ0204-0016	406	303.0	-	317.5	355.6	-	238.1	349.2	361.9	0.84	60
DZ0204-0018	457	329.0	203.2	342.9	406.4	200.0	288.9	400.0	412.7	0.93	55
DZ0204-0020	508	379.5	228.6	393.7	457.2	225.4	339.7	450.8	463.5	1.04	50
DZ0204-0022	559	405.0	254.0	419.1	508.0	250.8	390.5	501.6	514.3	1.14	40
DZ0204-0024	610	430.5	279.4	444.5	558.8	276.2	441.3	552.4	565.1	1.26	35
DZ0204-0026	660	481.5	304.8	495.3	609.6	301.6	492.1	603.2	615.9	1.35	30
DZ0204-0028	711	506.5	330.2	520.7	660.4	327.0	542.9	654.0	666.7	1.48	30

3/4 extension ball-bearing slide (2 pieces), front disconnect

LG = slide length.

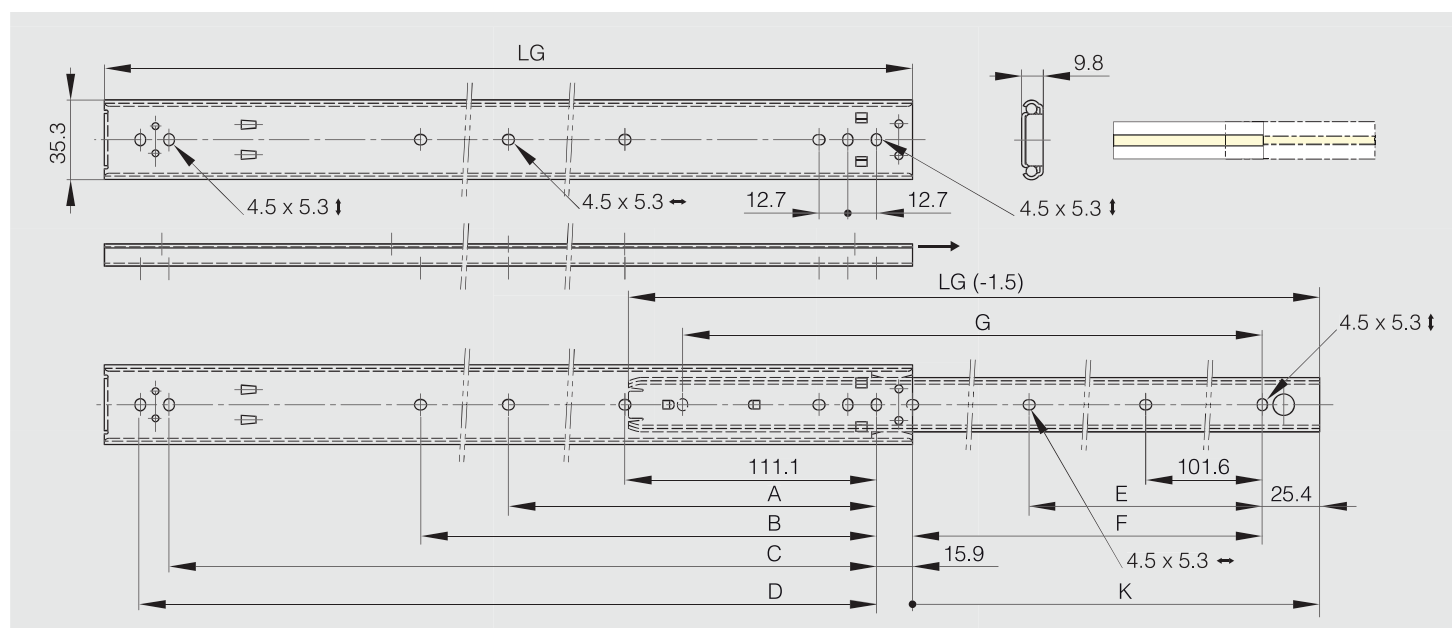
K = travel length.

CN = load rating (kg/pair).

Sold by the unit.



Part number	Material	Finish	K	LG	A	B	C	D	E	F	G	CN	Weight (g)
21-7-3576	304 stainless steel	raw	228.6	304.8	-	149.2	260.3	273	-	152.4	254	49	300
21-7-3577	304 stainless steel	raw	279.4	355.6	-	200	311.1	323.8	-	203.2	304.8	47	360
21-7-3562	304 stainless steel	raw	304.8	406.4	-	250.8	361.9	374.6	-	254	359.6	43	420
21-7-3563	304 stainless steel	raw	330.2	457.2	212.7	301.6	412.7	425.4	203.2	304.8	406.4	41	460
21-7-3564	304 stainless steel	raw	382	508	238.1	352.4	463.5	476.2	228.6	355.6	457.2	37	490
21-7-3565	304 stainless steel	raw	406.4	558.8	263.5	403.2	514.3	527	254	406.4	508	34	560
21-7-3566	304 stainless steel	raw	432.8	609.6	288.9	454	565.1	577.8	279.4	457.2	558.8	30	590
21-7-3567	304 stainless steel	raw	482.6	660.4	314.3	504.8	615.9	628.6	304.8	508	609.6	27	660
21-7-3568	304 stainless steel	raw	508	711.2	339.7	555.6	666.7	679.4	330.2	558.8	660.4	25	690



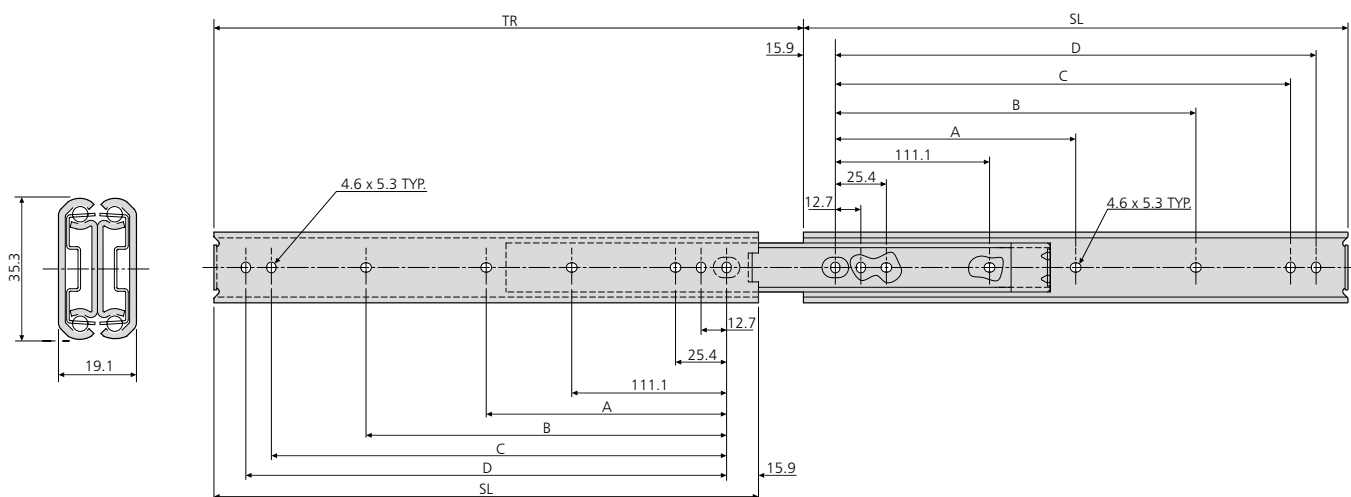
- Load rating up to 70kg per pair
- 100%+ extension
- 19.1mm slide thickness
- Low profile – only 35.3mm high
- Fixing hardware included
- Optional enclosure mounting brackets
- Suitable for flat mounting
- Flat mounting reduces load rating by 75%
- Temperature -20°C to +70°C
- DZ - 12 hours salt spray test



- Lastwert bis 70kg pro paar
- Überauszug
- 19,1mm Schienendicke
- Geringe Höhe – nur 35,3mm
- Befestigungsteile inbegriffen
- Optionale Gehäuse-Montagewinkel
- Für Flachmontage geeignet
- Flachmontage reduziert den Lastwert um 75%
- Temperatur -20°C bis +70°C
- DZ - 12 Stunden Salzsprühstest

Notes:

- Fixing hardware included or M4 screw
- For enclosure mounting brackets, refer to "Mounting kits and accessories" section
- For cable carriers, refer to "Mounting kits and accessories" section
- Max. head. ht. 2.5mm/Ø9.6mm
- Load ratings quoted are the maximum for a pair of side mounted slides installed 450mm apart, unless otherwise stated. For more information, refer to "How to select a slide" section



0301	mm						kg	
	SL	TR	A	B	C	D	W	L
DZ0301-0012	305	327	-	149.2	260.3	273.0	1.38	70
DZ0301-0014	356	378	-	200.0	311.1	323.8	1.63	67
DZ0301-0016	406	429	-	250.8	361.9	374.6	1.87	65
DZ0301-0018	457	480	212.7	301.6	412.7	425.4	2.10	63
DZ0301-0020	508	530	238.1	352.4	463.5	476.2	2.35	60
DZ0301-0022	559	581	263.5	403.2	514.3	527.0	2.60	55
DZ0301-0024	610	632	288.9	454.0	565.1	577.8	2.77	50
DZ0301-0026	660	683	314.3	504.8	615.9	628.6	2.55	45
DZ0301-0028	711	734	339.7	555.6	666.7	679.4	3.22	40

Full extension ball-bearing slide (3 pieces), front disconnect and positive lock

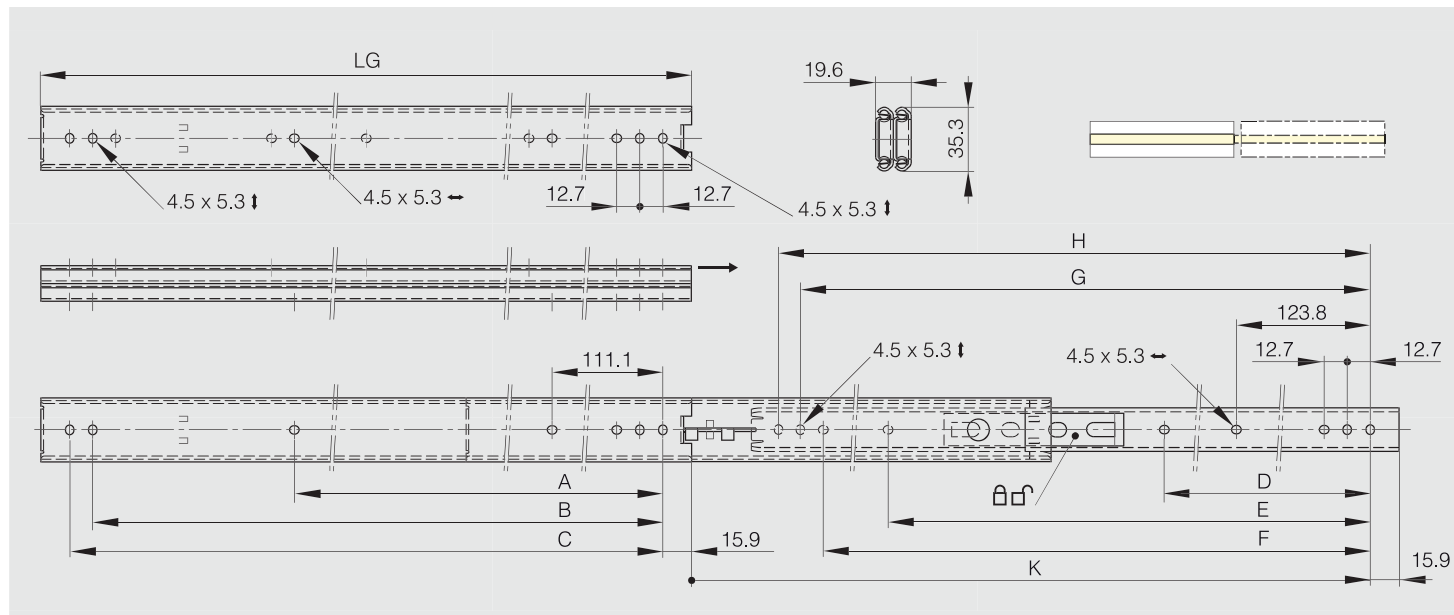


LG = slide length.
 K = travel length.
 CN = load rating (kg/pair).

Sold by the unit.



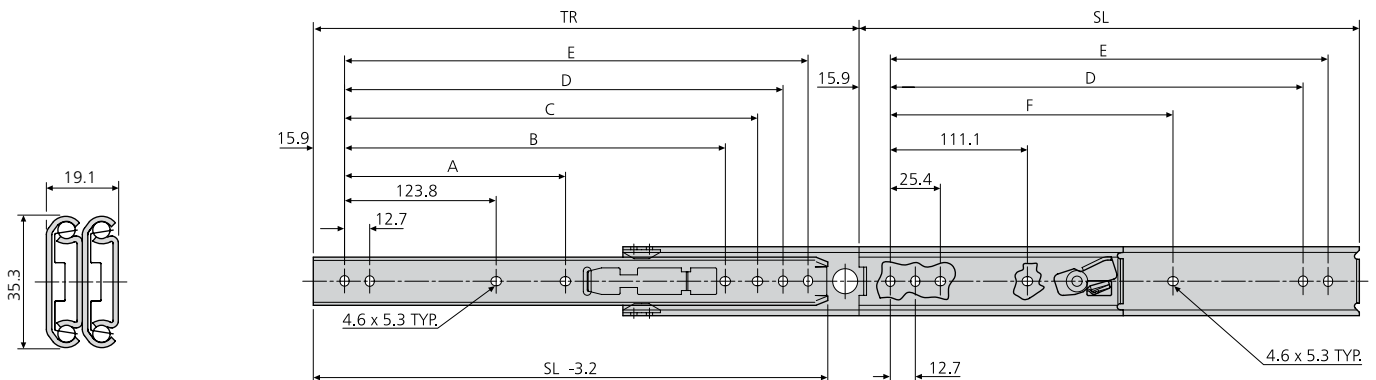
Part number	Material	Finish	K	LG	A	B	C	D	E	F	G	H	CN	Weight (g)
21-7-3569	304 stainless steel	raw	421.7	406.4	250.8	361.9	374.6	-	-	349.2	361.9	374.6	57	840
21-7-3570	304 stainless steel	raw	472.5	457.2	301.6	412.7	425.4	212.7	-	400	412.7	425.4	53	950
21-7-3571	304 stainless steel	raw	523.3	508	352.4	463.5	476.2	238.1	-	450.8	463.5	476.2	49	1030
21-7-3572	304 stainless steel	raw	574.1	558.8	403.2	514.3	527	263.5	415.9	501.6	514.3	527	45	1150
21-7-3573	304 stainless steel	raw	624.9	609.6	454	565.1	577.8	288.9	466.7	552.4	565.1	577.8	42	1280
21-7-3574	304 stainless steel	raw	675.7	660.4	504.8	615.9	628.6	314.3	517.5	603.2	615.9	628.6	39	1400
21-7-3575	304 stainless steel	raw	726.5	711.2	555.6	666.7	679.4	339.7	568.3	654	666.7	679.4	36	1500



- Load rating up to 70kg
- 100%+ extension
- 19.1mm slide thickness
- Lock-out
- Front disconnect
- Optional enclosure mounting brackets
- Suitable for flat mounting
- Flat mounting reduces load rating by 75%
- Temperature -20°C to +110°C
- DZ - 12 hours salt spray test



- Lastwert bis 70kg pro paar
- Überauszug
- 19,1mm Schienendicke
- Verriegelung in ausgezogener Position
- Frontschnelltrennung
- Optionale Gehäuse-Montagewinkel
- Für Flachmontage geeignet
- Flachmontage reduziert den Lastwert um 75%
- Temperatur -20°C bis +110°C
- DZ - 12 Stunden Salzsprühstest



0305	mm								kg	
	SL	TR	A	B	C	D	E	F	W	L
DZ0305-0012	305	327.0	-	-	-	260.3	273.0	-	1.27	70
DZ0305-0014	356	378.0	-	-	298.4	311.1	323.8	-	1.46	68
DZ0305-0016	406	429.0	-	-	349.2	361.9	374.6	250.8	1.63	65
DZ0305-0018	457	479.5	212.7	-	400.0	412.7	425.4	301.6	1.88	62
DZ0305-0020	508	530.5	238.1	365.2	450.8	463.5	476.2	352.4	2.04	57
DZ0305-0022	559	581.0	263.5	415.9	501.6	514.3	527.0	403.2	2.29	52
DZ0305-0024	610	632.0	288.9	466.7	552.4	565.1	577.8	454.0	2.50	46
DZ0305-0026	660	683.0	314.3	517.7	603.2	615.9	628.6	504.8	2.67	41
DZ0305-0028	711	733.5	339.7	568.3	654.0	666.7	679.4	555.6	2.89	36

Notes:

- Fixing recommendation: M4 screw
- Max. head. ht. 2.5mm/Ø9.6mm
- For enclosure mounting brackets, refer to "Mounting kits and accessories" section
- For more information, refer to "How to select a slide" section

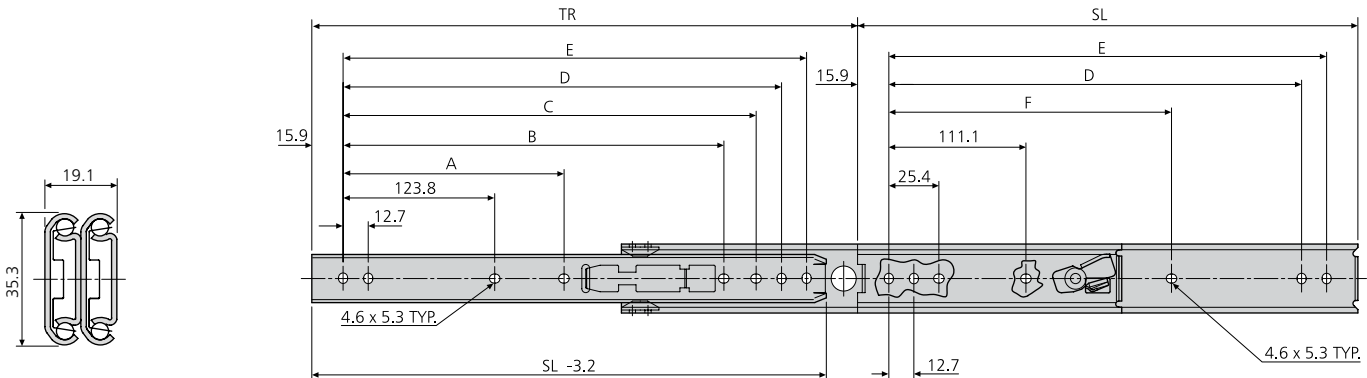
Hinweise:

- Empfohlene Befestigung: Schraube M4
- Max. Kopfhöhe 2,5mm/Ø9,6mm
- Gehäuse-Montagewinkel siehe Abschnitt 'Montage-Kits und Zubehör'
- Weitere Information siehe Abschnitt 'Schienen-Auswahl'

- High grade stainless steel
- Load rating up to 70kg per pair
- 100%+ extension
- 19.1mm slide thickness
- Lock-out
- Front disconnect
- Ideal for environments where mild steel might be subject to corrosion
- Suitable for flat mounting
- Flat mounting reduces load rating by 75%
- Temperature -20°C to +110°C



- Hochwertiger Edelstahl
- Lastwert bis 70kg pro paar
- Überauszug
- 19,1mm Schienendicke
- Verriegelung in ausgezogener Position
- Frontschnelltrennung
- Idéal pour les environnements où l'acier doux risque d'être soumis à la corrosion
- Für Flachmontage geeignet
- Flachmontage reduziert den Lastwert um 75%
- Temperatur -20°C bis +110°C



DS0305	mm								kg	
	SL	TR	A	B	C	D	E	F	W	L
DS0305-0012	305	327.0	-	-	-	260.3	273.0	-	1.27	70
DS0305-0014	356	378.0	-	-	298.4	311.1	323.8	-	1.46	68
DS0305-0016	406	429.0	-	-	349.2	361.9	374.6	250.8	1.63	65
DS0305-0018	457	479.5	212.7	-	400.0	412.7	425.4	301.6	1.88	62
DS0305-0020	508	530.5	238.1	365.2	450.8	463.5	476.2	352.4	2.04	57
DS0305-0022	559	581.0	263.5	415.9	501.6	514.3	527.0	403.2	2.29	52
DS0305-0024	610	632.0	288.9	466.7	552.4	565.1	577.8	454.0	2.50	46
DS0305-0026	660	683.0	314.3	517.7	603.2	615.9	628.6	504.8	2.67	41
DS0305-0028	711	733.5	339.7	568.3	654.0	666.7	679.4	555.6	2.89	36

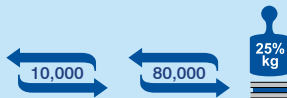
Notes:

- Fixing recommendation: M4 screw
- Max. head. ht. 2.5mm/Ø9.6mm
- Load ratings quoted are the maximum for a pair of side mounted slides installed 450mm apart, unless otherwise stated. For more information, refer to "How to select a slide" section

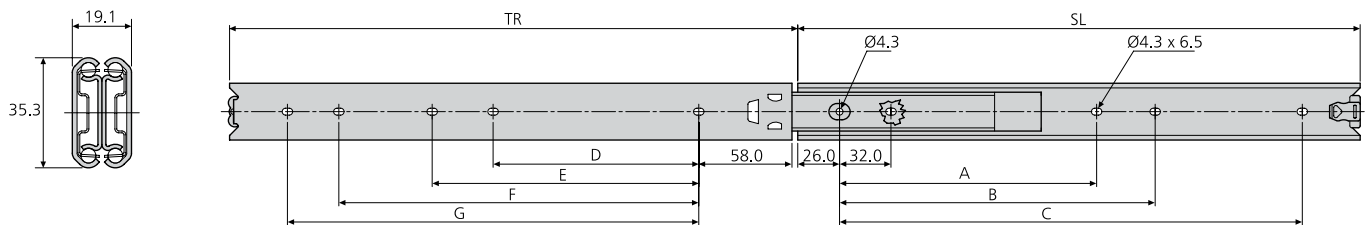
Hinweise:

- Empfohlene Befestigung: Schraube M4
- Max. Kopfhöhe 2,5mm/Ø9,6mm
- Falls nicht anders angegeben, sind die genannten Tragkräfte die maximal erreichbaren, bei einem Paar seitlich montierten Führungen mit 450mm Schienenabstand. Weitere Information siehe Abschnitt 'Schienen-Auswahl'

- High grade stainless steel
- Load rating up to 65/80kg per pair
- 100% extension
- 19.1mm slide thickness
- Hold-in
- Ideal for environments where mild steel might be subject to corrosion
- Suitable for flat mounting
- Flat mounting reduces load rating by 75%
- Temperature -20°C to +70°C



- Hochwertiger Edelstahl
- Lastwert bis 65/80kg pro paar
- Vollauszug
- 19,1mm Schienendicke
- Rastung in geschlossener Position
- Ideal für Umgebungen, wo Baustahl korrodieren könnte
- Für Flachmontage geeignet
- Flachmontage reduziert den Lastwert um 75%
- Temperatur -20°C bis +70°C



DS0330	mm									kg		
	SL	TR	A	B	C	D	E	F	G	W	10,000	80,000
DS0330-0030	300	304.5	-	192	224	-	-	192	224	1.08	65	50
DS0330-0035	350	354.0	-	224	256	-	-	224	256	1.29	70	55
DS0330-0040	400	403.0	-	192	320	160	-	288	320	1.48	75	60
DS0330-0045	450	452.0	-	224	352	192	-	320	352	1.66	80	65
DS0330-0050	500	501.0	256	288	416	224	256	384	416	1.86	75	57
DS0330-0055	550	550.5	288	320	480	256	288	416	448	2.07	70	50
DS0330-0060	600	600.0	320	352	512	288	320	480	512	2.26	65	45
DS0330-0070	700	698.0	352	384	608	320	352	576	608	2.67	55	30

Notes:

- Fixing recommendation: M4 screw
- Max. head. ht. 2.5mm/Ø9.6mm
- Load ratings quoted are the maximum for a pair of side mounted slides installed 450mm apart, unless otherwise stated. For more information, refer to "How to select a slide" section

Hinweise:

- Empfohlene Befestigung: Schraube M4
- Max. Kopfhöhe 2,5mm/Ø9,6mm
- Falls nicht anders angegeben, sind die genannten Tragkräfte die maximal erreichbaren, bei einem Paar seitlich montierten Führungen mit 450mm Schienenabstand. Weitere Information siehe Abschnitt 'Schienen-Auswahl'

Full extension ball-bearing slide (3 pieces), front disconnect and positive stop

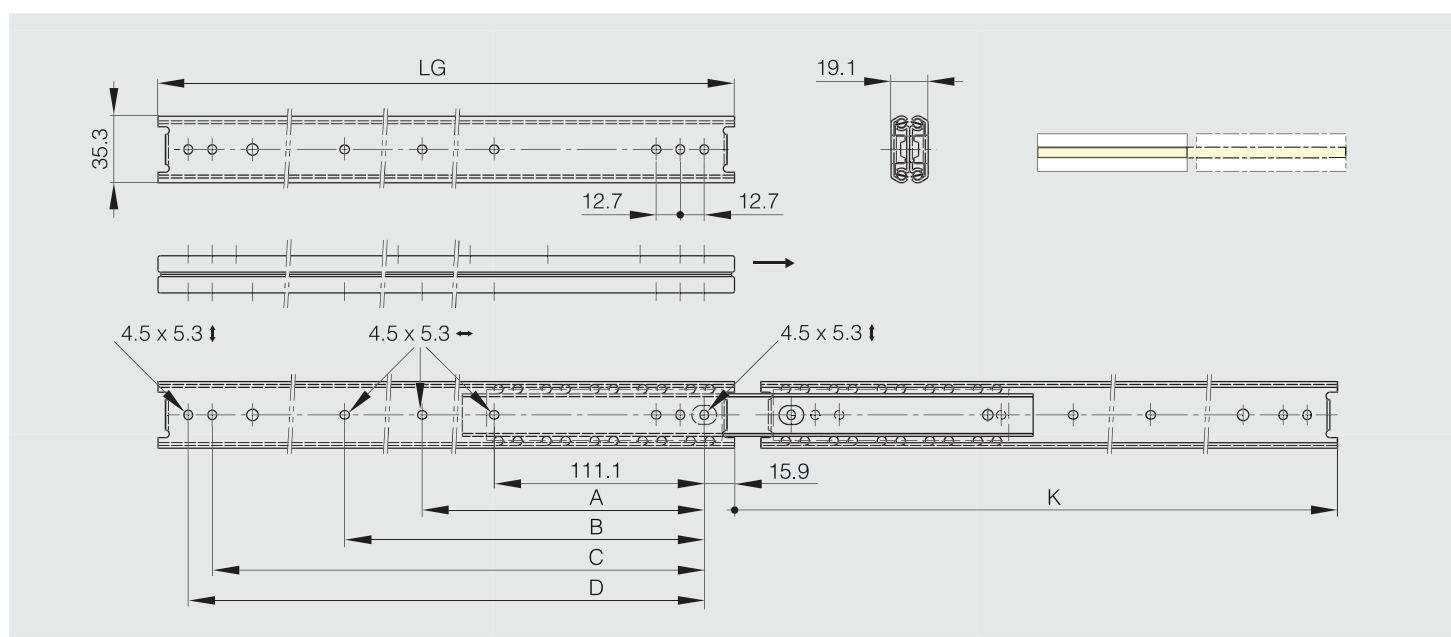


LG = slide length.
 K = travel length.
 CN = load rating (kg/pair).

Sold by the unit.



Part number	Material	Finish	K	LG	A	B	C	D	CN	Weight (g)
21-7-3578	304 stainless steel	raw	327.2	304.8	-	149.2	260.3	273	60	620
21-7-3579	304 stainless steel	raw	378	355.6	-	200	311.1	323.8	59	720
21-7-3555	304 stainless steel	raw	428.4	406.4	-	250.8	361.9	374.6	57	820
21-7-3556	304 stainless steel	raw	479.2	457.2	212.7	301.6	412.7	425.4	56	920
21-7-3557	304 stainless steel	raw	530	508	238.1	352.4	463.5	476.2	54	1025
21-7-3558	304 stainless steel	raw	580.8	558.8	263.5	403.2	514.3	527	51	1125
21-7-3559	304 stainless steel	raw	631.6	609.6	288.9	454	565.1	577.8	49	1225
21-7-3560	304 stainless steel	raw	682.4	660.4	314.3	504.8	615.9	628.6	47	1325
21-7-3561	304 stainless steel	raw	733.2	711.2	339.7	555.6	666.7	679.4	45	1425



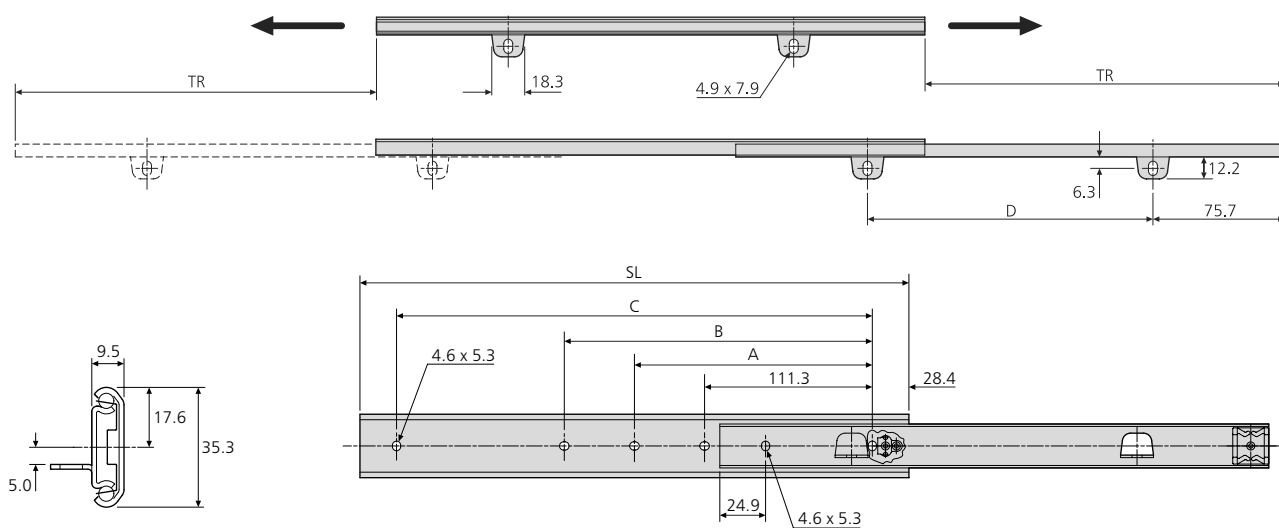
- Two way travel
- Load rating up to 35kg per pair
- 75% extension
- 9.5mm slide thickness
- Hold-in (at centre)
- Built-in mounting tabs
- Fixing hardware included
- Not suitable for flat mounting
- Temperature -20°C to +70°C
- DZ - 12 hours salt spray test

50,000

- Auszug in beide Richtungen
- Lastwert bis 35kg pro paar
- Teilauszug
- 9,5mm Schienendicke
- Rastung in Mittelposition
- Angebrachte Auflageschen
- Befestigungsteile inbegriffen
- Nicht für Flachmontage geeignet
- Temperatur -20°C bis +70°C
- DZ - 12 Stunden Salzsprühstest

Notes:

- Fixing recommendation: M4 screw/4mm wood screw
- Max. head. ht. 2.5mm/Ø9.6mm
- Vertical (side) mounting only
- Load ratings quoted are the maximum for a pair of side mounted slides installed 450mm apart, unless otherwise stated. For more information, refer to "How to select a slide" section



2002	mm						kg	
	SL	TR	A	B	C	D	W	L
DZ2002-0012-2	305	221.5	-	136.7	247.7	153.4	0.59	35
DZ2002-0014-2	356	272.3	-	187.5	298.5	204.2	0.69	35
DZ2002-0016-2	406	297.7	-	238.3	349.3	255.0	0.78	35
DZ2002-0018-2	457	323.1	200.2	289.1	400.1	305.8	0.89	35
DZ2002-0020-2	508	373.9	225.6	339.9	450.9	356.6	1.00	32
DZ2002-0022-2	558	399.3	251.0	390.7	501.7	407.4	1.08	31
DZ2002-0024-2	610	424.7	276.4	441.5	552.5	458.2	1.19	29
DZ2002-0026-2	660	475.5	301.8	492.3	603.3	509.0	1.28	27
DZ2002-0028-2	711	500.9	327.2	543.1	654.1	559.8	1.38	24

Full extension ball-bearing slide (3 pieces), soft-closing



LG = slide length.

K = travel length.

CN = load rating (kg/pair).

Soft-close slide.

The drawer can be detached by pushing the lever while pulling the drawer out.

Soft-closes at 20 mm distance from closed position (LG = 300-350 mm) or 36 mm distance from closed position (LG = 400-700 mm).

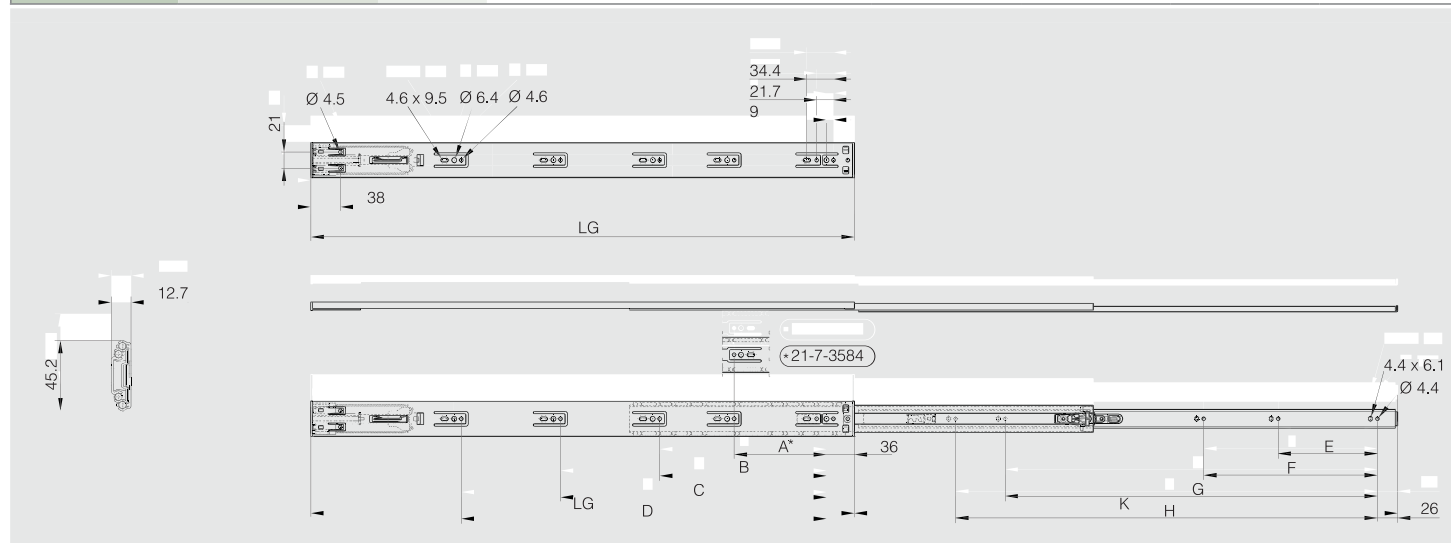
The maximum width of the drawer is the slide length (LG) + 200 mm.

Sold in pairs.

Produced mainly in stainless steel, for a complete description of the materials contact us.



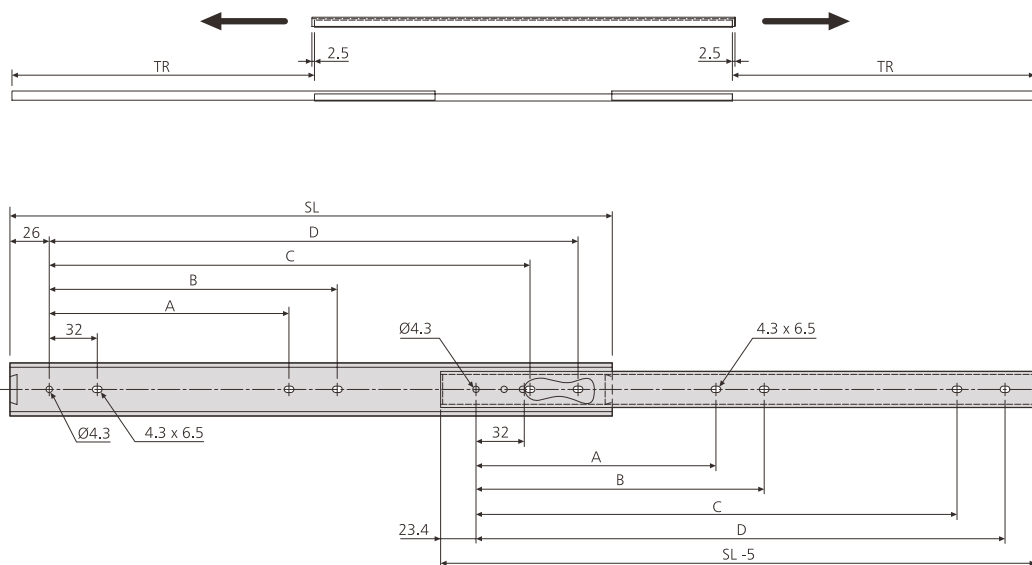
Part number	Material	Finish	K	LG	A	B	C	D	E	F	G	H	CN	Weight (g)
21-7-3584	304 stainless steel	raw	265	300	145	-	-	-	-	-	-	174	16	390
21-7-3585	304 stainless steel	raw	340	350	151	-	-	-	-	-	-	224	16	465
21-7-3586	304 stainless steel	raw	400	400	167	-	-	-	96	-	-	256	20	535
21-7-3587	304 stainless steel	raw	450	450	119	215	-	-	128	-	-	306	30	605
21-7-3588	304 stainless steel	raw	500	500	119	279	-	-	96	160	-	344	35	680
21-7-3589	304 stainless steel	raw	550	550	119	215	311	-	96	160	-	394	35	730
21-7-3590	304 stainless steel	raw	600	600	119	247	375	-	128	192	-	444	35	830
21-7-3591	304 stainless steel	raw	650	650	119	215	311	407	128	224	416	494	35	905
21-7-3592	304 stainless steel	raw	700	700	119	215	343	471	128	224	480	544	35	980



- Two-way travel
- Load rating up to 50kg per pair
- 75% extension
- 9.5mm slide thickness
- Hold-out on both sides
- Suitable for flat mounting
- Flat mounting reduces load rating by 75%
- Temperature -20°C to +110°C
- DZ - 12 hours salt spray test



- Auszug in beide Richtungen
- Lastwert bis 50kg pro paar
- Teilauszug
- 9,5mm Schienendicke
- Aushalterung auf beiden Seiten
- Für Flachmontage geeignet
- Flachmontage reduziert den Lastwert um 75%
- Temperatur -20°C bis +110°C
- DZ - 12 Stunden Salzsprühtest



2026	mm						kg	
	SL	TR	A	B	C	D	W	L
DZ2026-0030	300	208.8	128	160	224	256	0.56	50
DZ2026-0035	350	246.1	160	192	256	288	0.65	50
DZ2026-0040	400	283.4	192	224	320	352	0.74	45
DZ2026-0045	450	320.7	224	256	352	384	0.84	40
DZ2026-0050	500	358.0	256	288	416	448	0.94	40
DZ2026-0055	550	395.3	256	288	480	512	1.03	35
DZ2026-0060	600	432.6	288	320	512	544	1.13	35
DZ2026-0065	650	469.9	288	320	576	608	1.21	30
DZ2026-0070	700	507.2	320	352	608	640	1.32	30

Notes:

- Fixing recommendation: M4 screw/4mm wood screw
- Max. head. ht. 2.5mm/Ø9.6mm
- Load ratings quoted are the maximum for a pair of side mounted slides installed 450mm apart, unless otherwise stated. For more information, refer to "How to select a slide" section

Hinweise:

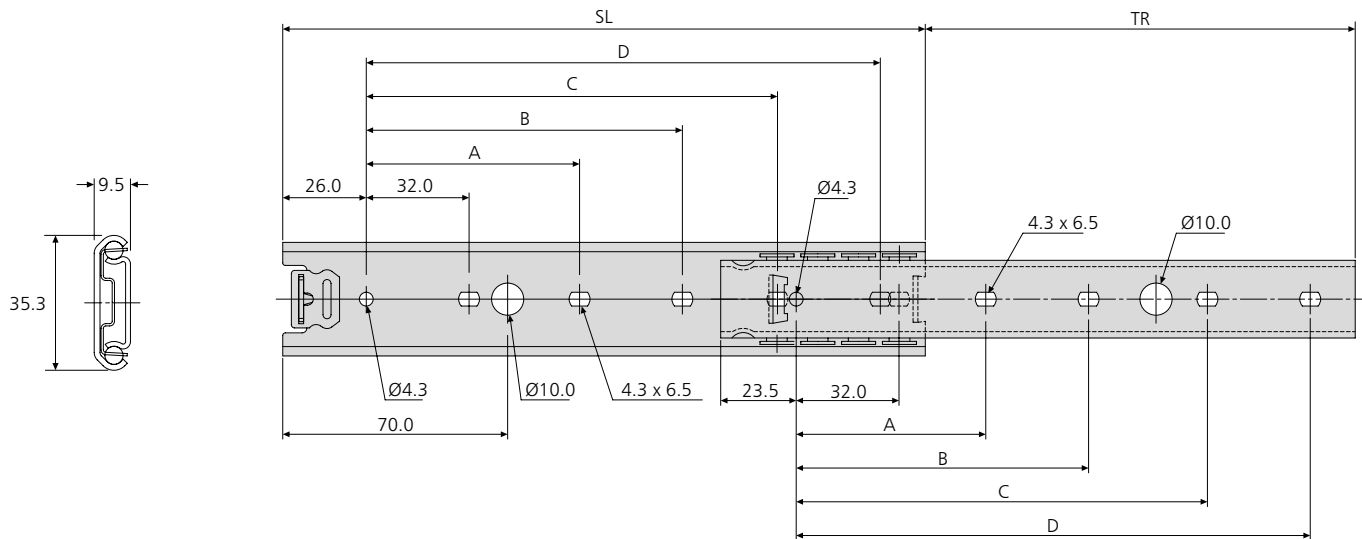
- Empfohlene Befestigung: Schraube M4/ Holzschraube 4mm
- Max. Kopfhöhe 2,5mm/Ø9,6mm
- Falls nicht anders angegeben, sind die genannten Tragkräfte die maximal erreichbaren, bei einem Paar seitlich montierten Führungen mit 450mm Schienenabstand. Weitere Information siehe Abschnitt 'Schienen-Auswahl'

- High grade stainless steel
- Load rating up to 60/65kg per pair
- 75% extension
- 9.5mm slide thickness
- Hold-in
- Optional bracket kit for various mounting options
- Ideal for environments where mild steel might be subject to corrosion
- Suitable for flat mounting
- Flat mounting reduces load rating by 75%
- Temperature -20°C to +70°C



Notes:

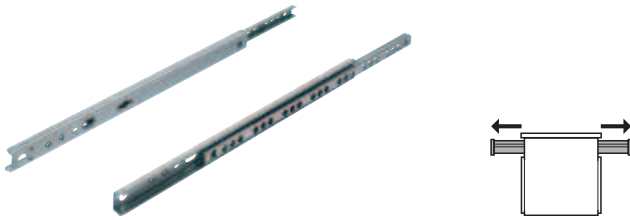
- Fixing recommendation: M4 screw
- Max. head. ht. 2.5mm/Ø9.6mm
- For bracket accessory kit see DS63610
- Load ratings quoted are the maximum for a pair of side mounted slides installed 450mm apart, unless otherwise stated. For more information, refer to "How to select a slide" section



DS2028	mm						kg		
	SL	TR	A	B	C	D	W	L 10,000	L 80,000
DS2028-0030	300	209	96	128	224	256	0.54	65	60
DS2028-0035	350	245	96	128	256	288	0.64	63	57
DS2028-0040	400	282	160	192	320	352	0.74	59	54
DS2028-0045	450	320	160	192	384	416	0.83	57	50
DS2028-0050	500	357	192	224	416	448	0.92	53	47
DS2028-0055	550	394	192	224	480	512	1.02	50	45
DS2028-0060	600	432	224	256	512	544	1.12	46	43
DS2028-0065	650	469	224	256	576	608	1.21	43	41
DS2028-0070	700	506	256	288	608	640	1.30	42	40

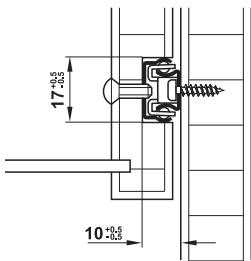
Groove mounted runners

→ Load bearing capacity up to 10 kg
Single extension, two-way travel, runner width 17 mm

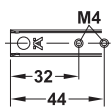
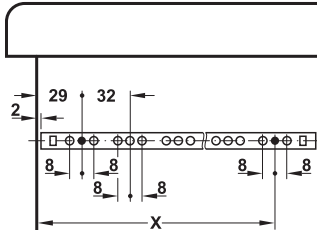


- > Material: Steel
- > Finish: Pre-galvanized
- > Dim.: Max. drawer width = internal cabinet width - 20 mm + double groove depth
- > Installation: For screw fixing
- > Material thickness: 1.0 mm

Installation



Drilling pattern

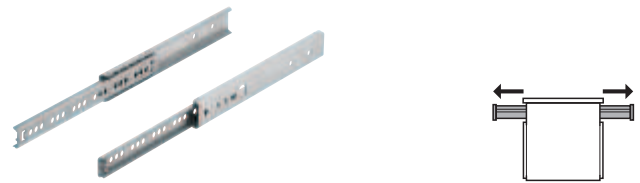


Drawer rail

Cabinet runner length mm	Drawer rail length mm	Ball cage length mm	Dim. X mm	Cat. No.
182	182	47	157	450.25.405
214	214	72	189	450.25.415
246	246	72	221	450.25.425
278	278	72	253	450.25.435
310	310	96	285	450.25.445
342	342	96	317	450.25.455

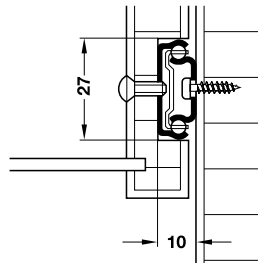
Packing: 1 or 50 pairs

→ Load bearing capacity up to 12 kg
Single extension, two-way travel, runner width 27 mm



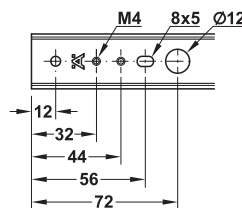
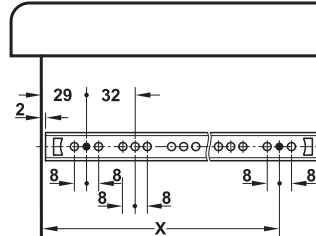
- > Material: Steel
- > Finish: Galvanized
- > Dim.: Max. drawer width = internal cabinet width - 20 mm + double groove depth
- > Installation: Groove mounted on drawer
- > Material thickness: 1.2 mm

Installation



Secure guide rail in drawer groove using an M4 threaded screw.

Drilling pattern



Drawer rail

Cabinet runner length mm	Drawer rail length mm	Ball cage length mm	Dim. X mm	Cat. No.
246	246	76	192	450.25.520
278	278	102	224	450.25.530
310	310	102	256	450.25.480
342	342	102	288	450.25.540

Packing: 1 or 20 pairs

- Load rating up to 35kg per pair
- 75% extension
- 12.7mm slide thickness
- Height adjustable brackets included
- Front disconnect
- Hold-in and hold-out
- Optional clip-on bracket for bottom mounting
- Not suitable for flat mounting
- Temperature -20°C to +70°C
- DZ - 12 hours salt spray test

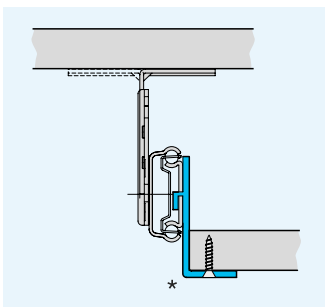
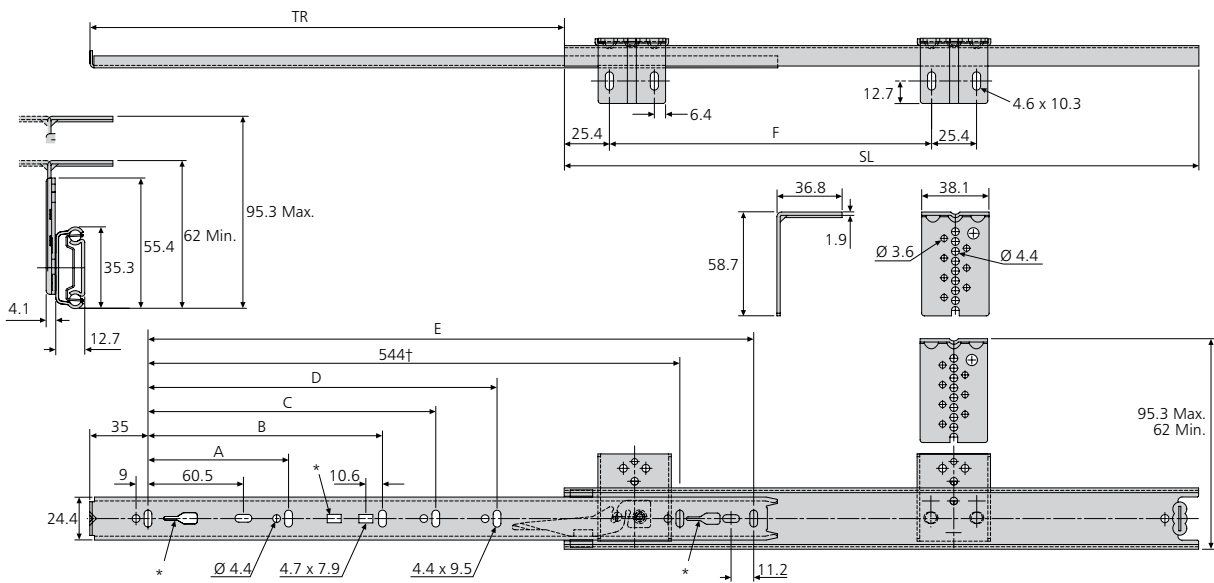
- Lastwert bis 35kg pro paar
- Teilauszug
- 12,7mm Schienendicke
- Höhenverstellbare Montagewinkel inbegriffen
- Frontschnelltrennung
- Rastung in geschlossener Position und Rastung in ausgezogener Position
- Optionaler Aufsteckwinkel für Bodenmontage
- Nicht für Flachmontage geeignet
- Temperatur -20°C bis +70°C
- DZ - 12 Stunden Salzsprühstest

Notes:

- Fixing hardware included
- Max. head. ht. 2.5mm/Ø9,6mm
- Vertical (side) mounting only
- *For optional clip-on brackets, refer to 633xx in "Mounting kits and accessories" section. Not suitable for 2109-0030/0035
- For more information, refer to "How to select a slide" section



50,000



2109	mm								kg	
	SL	TR	A	B	C	D	E	F	W	L
DZ2109-0030-2	300	205	96	-	-	-	242	215.9	0.87	35
DZ2109-0035-2	350	260	128	-	-	-	292	215.9	0.99	35
DZ2109-0040-2	400	281	128	-	-	-	342	215.9	1.07	30
DZ2109-0045-2	450	331	128	224	-	-	392	215.9	1.14	30
DZ2109-0050-2	500	376	128	224	-	-	442	292.1	1.23	25
DZ2109-0055-2	550	415	128	224	320	-	492	292.1	1.33	25

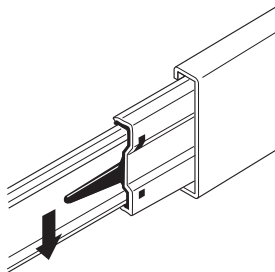
Full extension

Load bearing capacity up to 30 kg

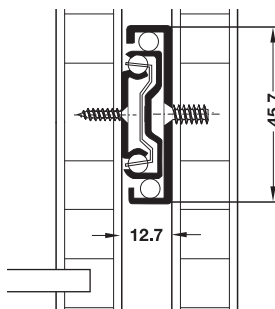


- > Material: Steel
- > Finish: Galvanized
- > Version: With stop
- > Installation: For screw fixing at the side

Functionality

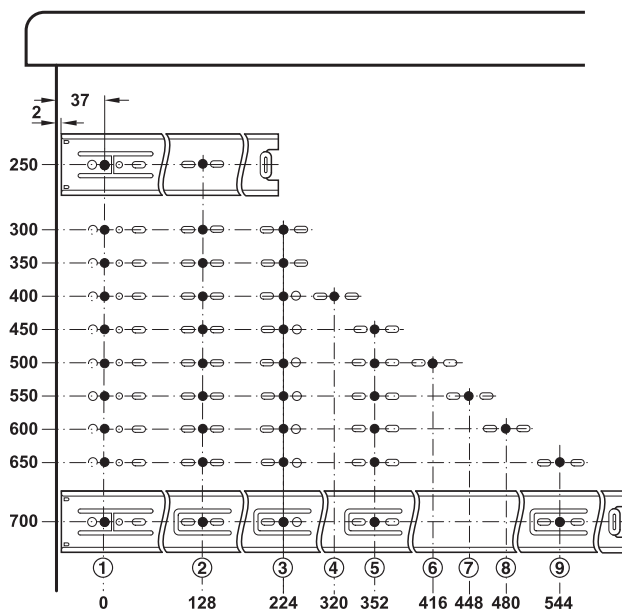


Installation



Side mounted

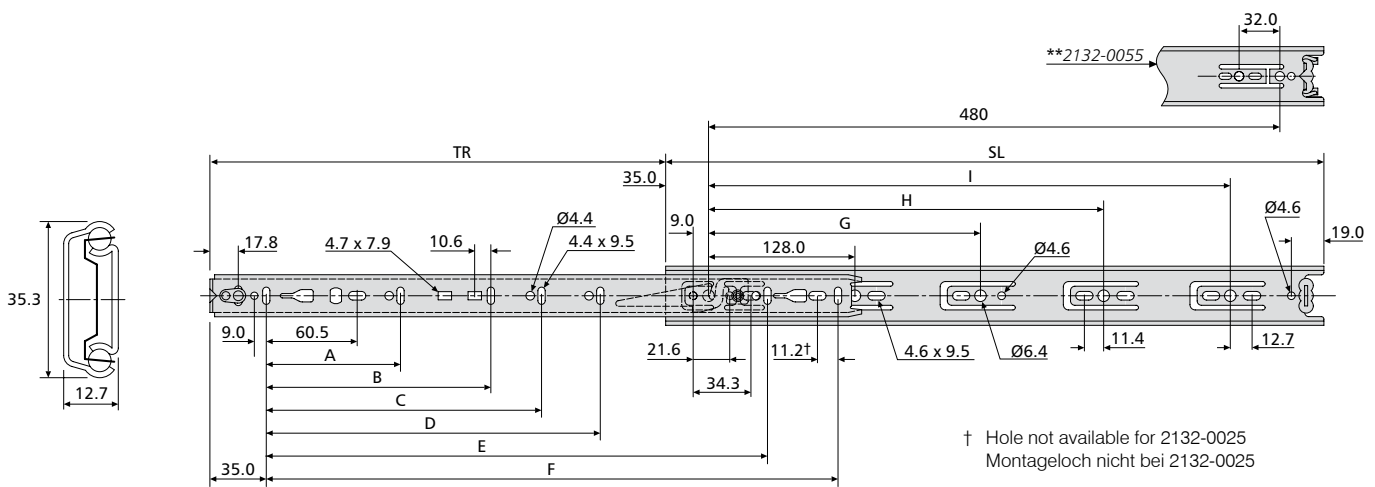
Drilling pattern



Installation length mm	Extension length AL mm	Cat. No.
250	250	420.50.627
300	300	420.50.632
350	350	420.50.637
400	400	420.50.642
450	450	420.50.647
500	500	420.50.652
550	550	420.50.657
600	600	420.50.662
650	650	420.50.667
700	700	420.50.672

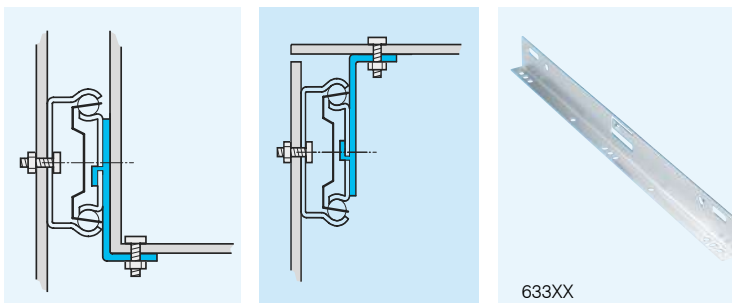
Packing: 1 or 5 pairs

- Load rating up to 35/50kg per pair
- 75% extension
- 12.7mm slide thickness (14mm with mounting bracket)
- Optional clip-on bracket for bottom & platform mounting
- Front disconnect
- Hold-in
- Cam drawer adjust (3.2mm)
- Not suitable for flat mounting
- Temperature -20°C to +70°C
- DZ - 12 hours salt spray test
- DB - 96 hours salt spray test



2132	mm											kg		
	SL	TR	A	B	C	D	E	F	G	H	I	W	L 10,000	L 80,000
*2132-0025	250	163	96	-	-	-	-	192	-	-	-	0.45	50	35
*2132-0030	300	205	96	-	-	-	-	242	224	-	-	0.52	50	35
*2132-0035	350	260	128	-	-	-	-	292	224	-	-	0.64	50	35
*2132-0040	400	281	128	-	-	-	-	342	224	-	320	0.71	50	35
*2132-0045	450	331	128	224	-	-	-	392	224	-	352	0.78	48	35
*2132-0050	500	376	128	224	-	-	-	442	224	-	416	0.80	45	34
*2132-0055	550	415	128	224	320	-	-	492	224	352	**	0.98	42	33
*2132-0060	600	451	128	224	320	-	-	542	224	352	480	1.05	40	32
*2132-0065	650	488	128	224	320	416	544	592	224	352	544	1.17	37	31
*2132-0070	700	526	128	224	288	416	-	642	224	352	544	1.26	35	30

* Prefix DZ for bright zinc plate, DB for black zinc plate



Notes:

- Fixing recommendation: M4 screw/ 4mm wood screw
- Max. head. ht. 2.5mm/Ø9.6mm
- For optional clip-on brackets, refer to '633xx' in "Mounting kits and accessories" section. Not 2132-0025/0030/0035
- Vertical (side) mounting only
- For more information, refer to "How to select a slide" section

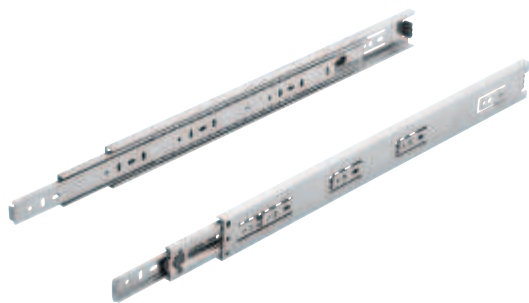
Drawer Runners

Matrix Runner BB A Ball bearing runners

☎ (+386) 04 510 53 60
 ☎ (+386) 041 694 339
 ✉ info@metalika-kacin.com

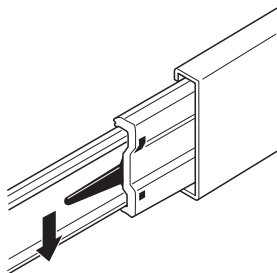
Full extension

Load bearing capacity up to 45 kg

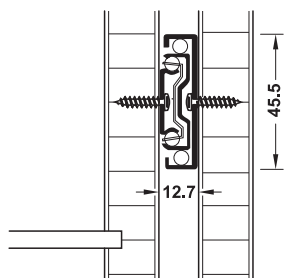


- > Material: Steel
- > Finish/colour: Galvanized
- > Version: With stop
- > Installation: For screw fixing at the side

Functionality

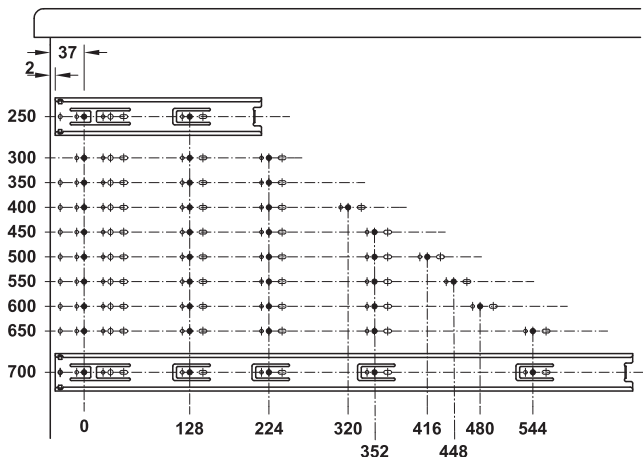


Installation



Side mounted

Drilling pattern



Installation length mm	Extension length AL mm	Load bearing capacity kg	Cat. No.
250	250	30	432.21.970
300	300	35	432.21.971
350	350	40	432.21.972
400	400	45	432.21.973
450	450	45	432.21.974
500	500	45	432.21.975
550	550	45	432.21.976
600	600	40	432.21.977
650	650	40	432.21.978
700	700	35	432.21.979

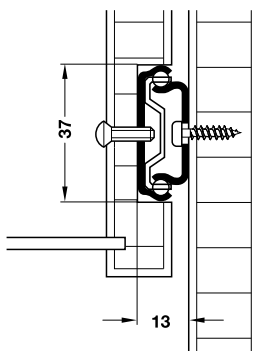
→ Load bearing capacity up to 25 kg

Single extension, two-way travel, rail width 37 mm



- > Material: Steel
- > Finish: Galvanized
- > Bearing: 2 ball cages
- > Dim.: Max. drawer width = internal cabinet width – 26 mm + double groove depth
- > Installation: Groove mounted on drawer

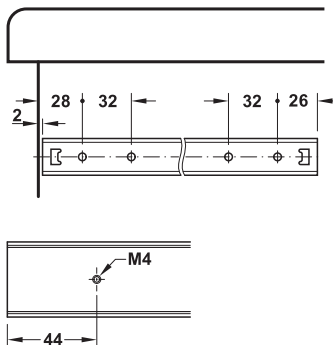
Installation



Secure guide rail in drawer groove using an M4 threaded screw.



Drilling pattern



Drawer rail

Installation length L mm	Drawer length SL mm	Cat. No.
292	300–480	420.96.300
342	350–580	420.96.350

Packing: 1 or 10 pairs

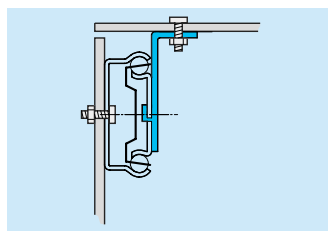
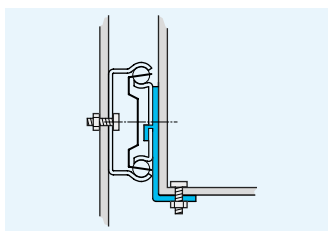
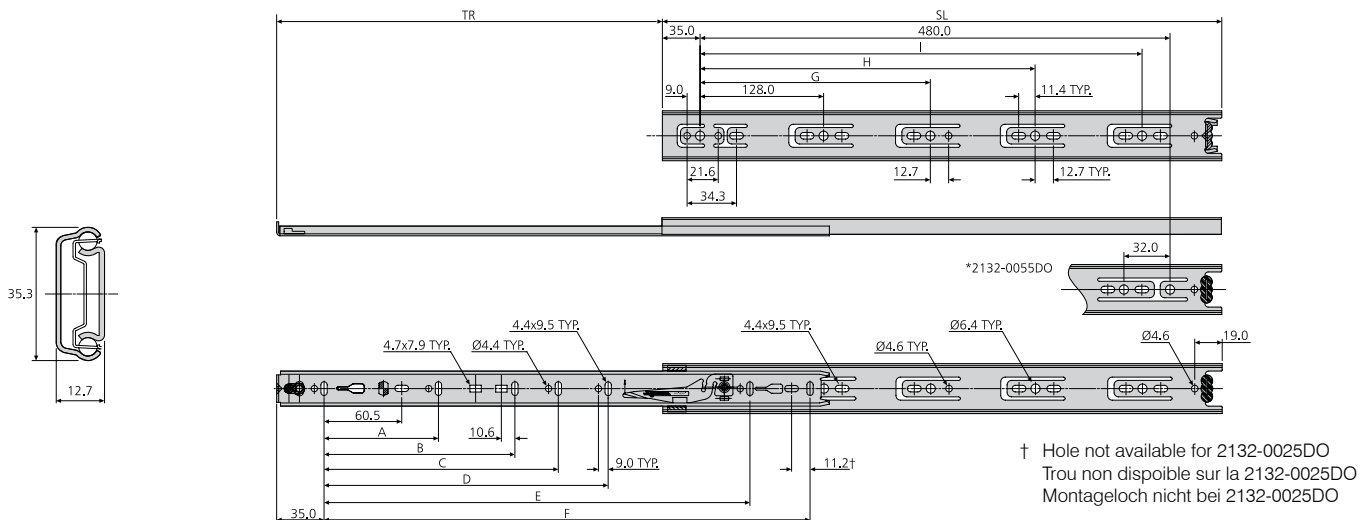
- Hold-out in open position
- Load rating up to 35/50kg per pair
- 75% extension
- 12.7mm slide thickness (14mm with mounting bracket)
- Optional clip-on bracket for bottom & platform mounting
- Front disconnect
- Hold-in
- Cam drawer adjust (3.2mm)
- Not suitable for flat mounting
- Temperature -20°C to +70°C
- DZ - 12 hours salt spray test

- Rastung in ausgezogener Position
- Lastwert bis 35/50kg pro paar
- Teilauszug
- 12,7mm Schienendicke (14mm mit Montagewinkel)
- Optionaler Aufsteckwinkel für Boden- bzw. Plattformmontage
- Frontschnelltrennung
- Rastung in geschlossener Position
- Einstellnocken für Schublade (3,2mm)
- Nicht für Flachmontage geeignet
- Temperatur -20°C bis +70°C
- DZ - 12 Stunden Salzsprühstest

Notes:

- Fixing recommendation: M4 screw/ 4mm wood screw
- Max. head. ht. 2.5mm/Ø9.6mm
- For optional clip-on brackets, refer to 633xx in "Mounting kits and accessories" section.
- Not 2132-0025DO/0030DO/0035DO
- Vertical (side) mounting only
- For more information, refer to "How to select a slide" section

 10,000
  80,000



2132DO	mm											kg		
	SL	TR	A	B	C	D	E	F	G	H	I	W	L 10,000	L 80,000
DZ2132-0025DO	250	163	96	-	-	-	-	192	-	-	-	0.45	50	35
DZ2132-0030DO	300	205	96	-	-	-	-	242	224	-	-	0.52	50	35
DZ2132-0035DO	350	260	128	-	-	-	-	292	224	-	-	0.64	50	35
DZ2132-0040DO	400	281	128	-	-	-	-	342	224	-	320	0.71	50	35
DZ2132-0045DO	450	331	128	224	-	-	-	392	224	-	352	0.78	48	35
DZ2132-0050DO	500	376	128	224	-	-	-	442	224	-	416	0.88	45	34
DZ2132-0055DO	550	415	128	224	320	-	-	492	224	352	*	0.98	42	33
DZ2132-0060DO	600	451	128	224	320	-	-	542	224	352	480	1.05	40	32
DZ2132-0065DO	650	488	128	224	320	416	544	592	224	352	544	1.16	37	31
DZ2132-0070DO	700	526	128	224	288	416	-	642	224	352	544	1.27	35	30

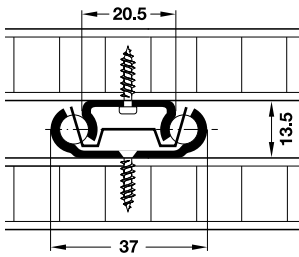
Shelf and drawer runners, single extension

Load bearing capacity up to 60 kg

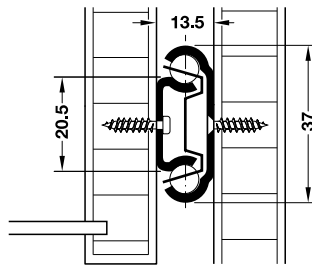


- > Version: Special distinctive guide profiles provide extremely low lowering and loss of load bearing capacity when surface mounted, with hold-in device for holding in closed position
- > Material: Steel
- > Finish: Galvanized
- > Dim.: Max. drawer width = internal cabinet width – 27 mm
- > Installation: At shelf and drawer, surface mounted or side mounted

Installation



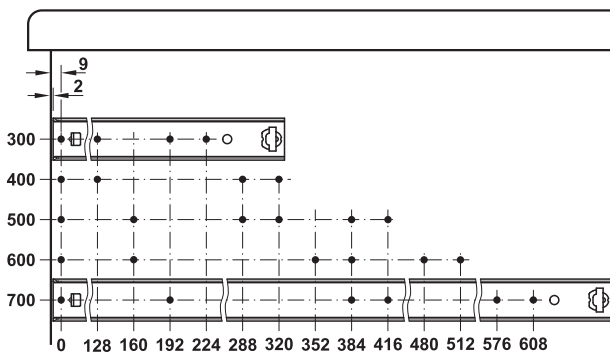
Surface mounted,
load bearing capacity up to 20 kg



Side mounted,
load bearing capacity up to 60 kg



Drilling pattern



Installation length L mm	Extension length AL mm	Load bearing capacity kg	Cat. No.
300	205	60	422.61.307
400	289	42	422.61.340
500	373	42	422.61.350
600	457	43	422.61.361
700	541	43	422.61.370

Packing: 1 pair

Order reference

Other lengths available on request.

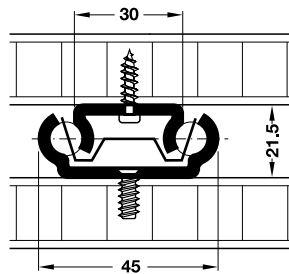
Shelf and drawer runners, single extension

Load bearing capacity up to 70 kg

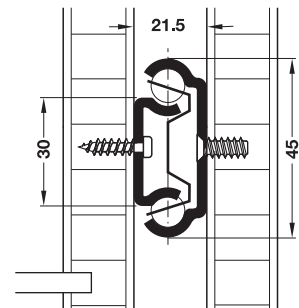


- > Version: Special distinctive guide profiles provide extremely low lowering and loss of load bearing capacity when surface mounted, with hold-in device for holding in closed position
- > Material: Steel
- > Finish: Galvanized
- > Dim.: Max. drawer width = internal cabinet width – 43 mm
- > Installation: At shelf and drawer, surface mounted or side mounted

Installation



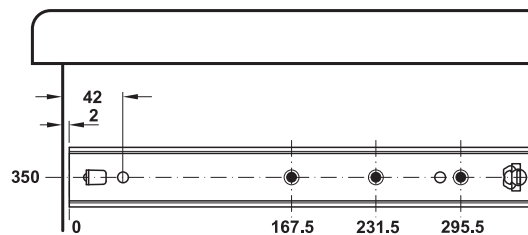
Surface mounted,
load bearing capacity up to 40 kg



Side mounted,
load bearing capacity up to 70 kg



Drilling pattern



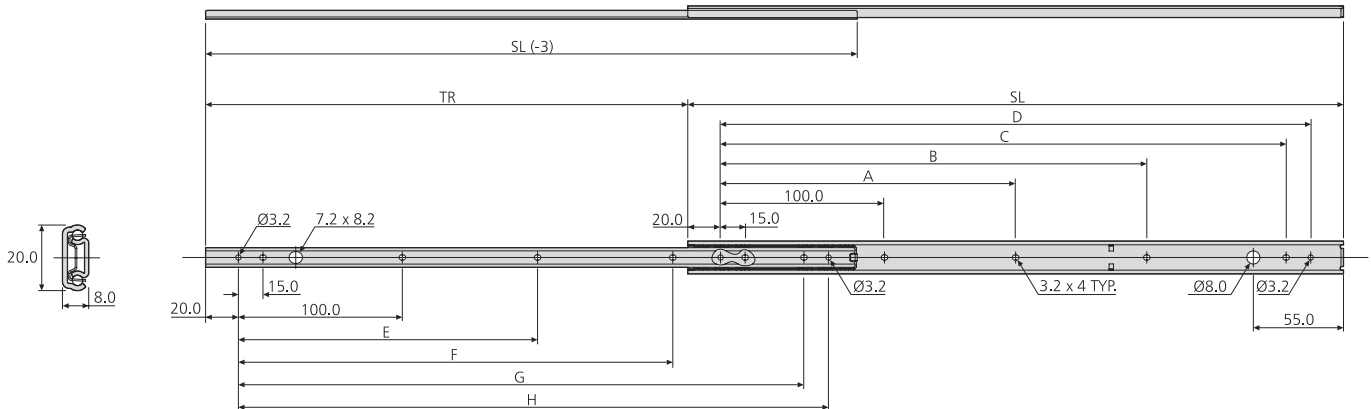
Installation length L mm	Extension length AL mm	Cat. No.
350	224	422.60.337

Packing: 1 pair

- Load rating up to 16kg per pair
- 75% extension
- 8mm slide thickness
- Low profile: only 20mm high
- Not suitable for flat mounting
- Temperature -20°C to +110°C
- DZ - 12 hours salt spray test



- Lastwert bis 16kg pro paar
- Teilauszug
- 8mm Schienendicke
- Geringe Schienenhöhe: nur 20mm hoch
- Nicht für Flachmontage geeignet
- Temperatur -20°C bis +110°C
- DZ - 12 Stunden Salzsprühtest



2421	mm										kg	
	SL	TR	A	B	C	D	E	F	G	H	W	L
DZ2421-0020	200	132	-	-	145.0	160.0	-	-	145.0	160.0	0.23	13
DZ2421-0025	250	182	-	-	195.0	210.0	-	150.0	195.0	210.0	0.28	15
DZ2421-0030	300	220	-	160.0	245.0	260.0	-	190.0	245.0	260.0	0.34	16
DZ2421-0035	350	257	-	210.0	295.0	310.0	-	225.0	295.0	310.0	0.39	16
DZ2421-0040	400	294	-	260.0	345.0	360.0	-	265.0	345.0	360.0	0.45	15
DZ2421-0045	450	331	205.0	310.0	395.0	410.0	190.0	300.0	395.0	410.0	0.51	13
DZ2421-0050	500	381	230.0	360.0	445.0	460.0	225.0	337.0	445.0	460.0	0.56	11

Notes:

- Fixing recommendation: M3 screw/3mm wood screw
- Max. head. ht. 1.8mm/Ø5.6mm
- Vertical (side) mounting only
- Load ratings quoted are the maximum for a pair of side mounted slides installed 450mm apart, unless otherwise stated. For more information, refer to "How to select a slide" section

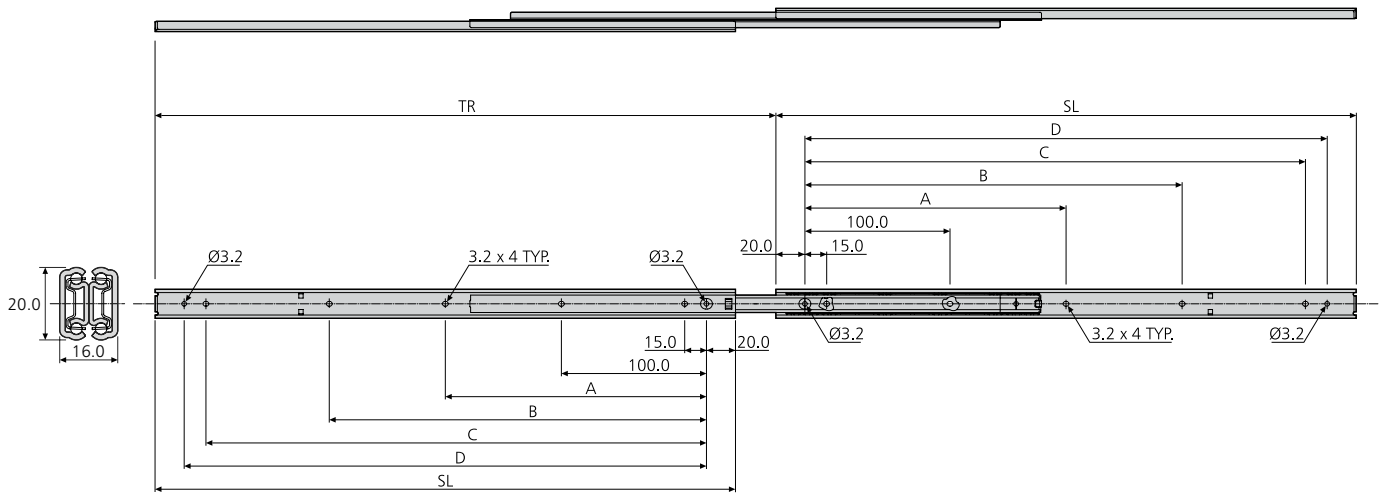
Hinweise:

- Empfohlene Befestigung: Schraube M3/ Holzschraube 3mm
- Max. Kopfhöhe 1,8mm/Ø5,6mm
- Nur Vertikalmontage
- Falls nicht anders angegeben, sind die genannten Tragkräfte die maximal erreichbaren, bei einem Paar seitlich montierten Führungen mit 450mm Schienenabstand. Weitere Information siehe Abschnitt „Schienen-Auswahl“

- Load rating up to 20kg per pair
- 100% extension
- 16mm slide thickness
- Low profile: only 20mm high
- Not suitable for flat mounting
- Temperature -20°C to +110°C
- DZ - 12 hours salt spray test

80,000

- Lastwert bis 20kg pro paar
- Vollauszug
- 16mm Schienendicke
- Geringe Schienenhöhe: nur 20mm hoch
- Nicht für Flachmontage geeignet
- Temperatur -20°C bis +110°C
- DZ - 12 Stunden Salzsprühtest



2431	mm						kg	
	SL	TR	A	B	C	D	W	L
DZ2431-0015	150	156	-	-	95.0	110.0	0.32	15
DZ2431-0020	200	231	-	-	145.0	160.0	0.43	17
DZ2431-0025	250	280	-	-	195.0	210.0	0.55	19
DZ2431-0030	300	329	-	160.0	245.0	260.0	0.67	20
DZ2431-0035	350	379	-	210.0	295.0	310.0	0.79	20
DZ2431-0040	400	428	-	260.0	345.0	360.0	0.90	18
DZ2431-0045	450	477	205.0	310.0	395.0	410.0	1.02	16
DZ2431-0050	500	526	230.0	360.0	445.0	460.0	1.15	13

Notes:

- Fixing recommendation: M3 screw/ 3mm wood screw
- Max. head. ht. 1.8mm/Ø5.6mm
- Vertical (side) mounting only
- Load ratings quoted are the maximum for a pair of side mounted slides installed 450mm apart, unless otherwise stated. For more information, refer to "How to select a slide" section

Hinweise:

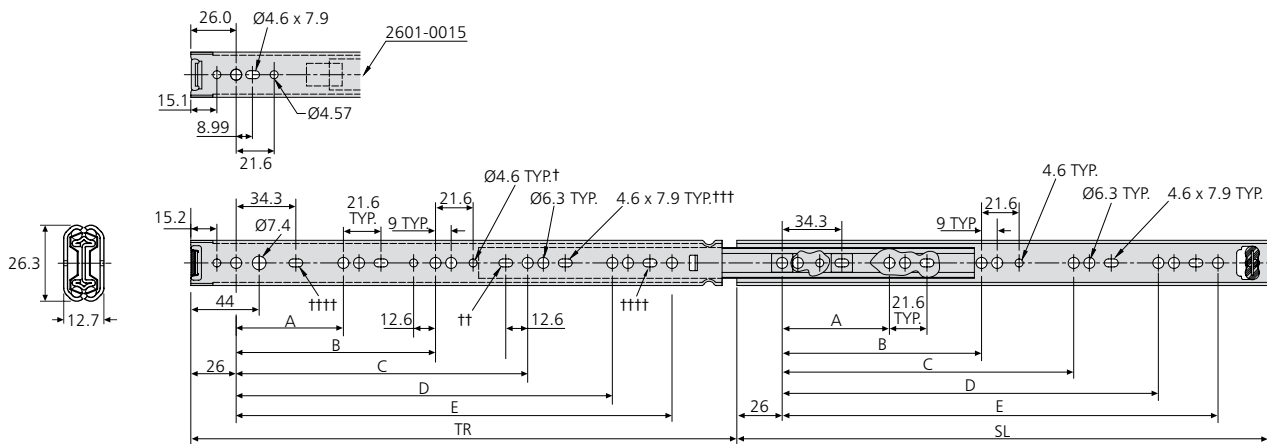
- Empfohlene Befestigung: Schraube M3/ Holzschraube 3mm
- Max. Kopfhöhe 1,8mm/Ø5,6mm
- Nur Vertikalmontage
- Falls nicht anders angegeben, sind die genannten Tragkräfte die maximal erreichbaren, bei einem Paar seitlich montierten Führungen mit 450mm Schienenabstand. Weitere Information siehe Abschnitt 'Schienen-Auswahl'

- Load rating up to 45kg per pair
- 100% extension
- 12.7mm slide thickness
- Low profile – only 26.3mm high
- Hold-in
- Not suitable for flat mounting
- Temperature -20°C to +70°C
- DZ - 12 hours salt spray test

- Lastwert bis 45kg pro paar
- Vollauszug
- 12,7mm Schienendicke
- Geringe Schienenhöhe – nur 26,3mm hoch
- Rastung in geschlossener Position
- Nicht für Flachmontage geeignet
- Temperatur -20°C bis +70°C
- DZ - 12 Stunden Salzsprühstest



80,000



† Hole not available for 2601-0030
 Trou non disponible sur la 2601-0030
 Montageloch nicht bei 2601-0030

†† 2601-0040

††† Hole not available for 2601-0040
 Trou non disponible sur la 2601-0040
 Montageloch nicht bei 2601-0040

†††† Hole not available for 2601-0015
 Trou non disponible sur la 2601-0015
 Montageloch nicht bei 2601-0015

2601	mm							kg	
	SL	TR	A	B	C	D	E	W	L
DZ2601-0015	150	147.5	78	-	-	-	-	0.32	12
DZ2601-0020	200	209	128	-	-	-	-	0.44	16
DZ2601-0025	250	259	128	-	-	-	-	0.55	25
DZ2601-0030	300	308	128	224	-	-	-	0.67	32
DZ2601-0035	350	357	128	224	-	-	-	0.78	35
DZ2601-0040	400	406	128	224	320	-	-	0.89	45
DZ2601-0045	450	456	128	224	352	-	-	1.01	45
DZ2601-0050	500	505	128	224	352	416	-	1.11	35
DZ2601-0055	550	554	128	224	352	448	489	1.23	30

Notes:

- Fixing recommendation: 6mm Euro screw/
4mm wood screw.
Max. head. ht. 2mm/Ø7.8mm
- Vertical (side) mounting only
- Load ratings quoted are the maximum for a pair of side mounted slides installed 450mm apart, unless otherwise stated. For more information, refer to "How to select a slide" section

Hinweise:

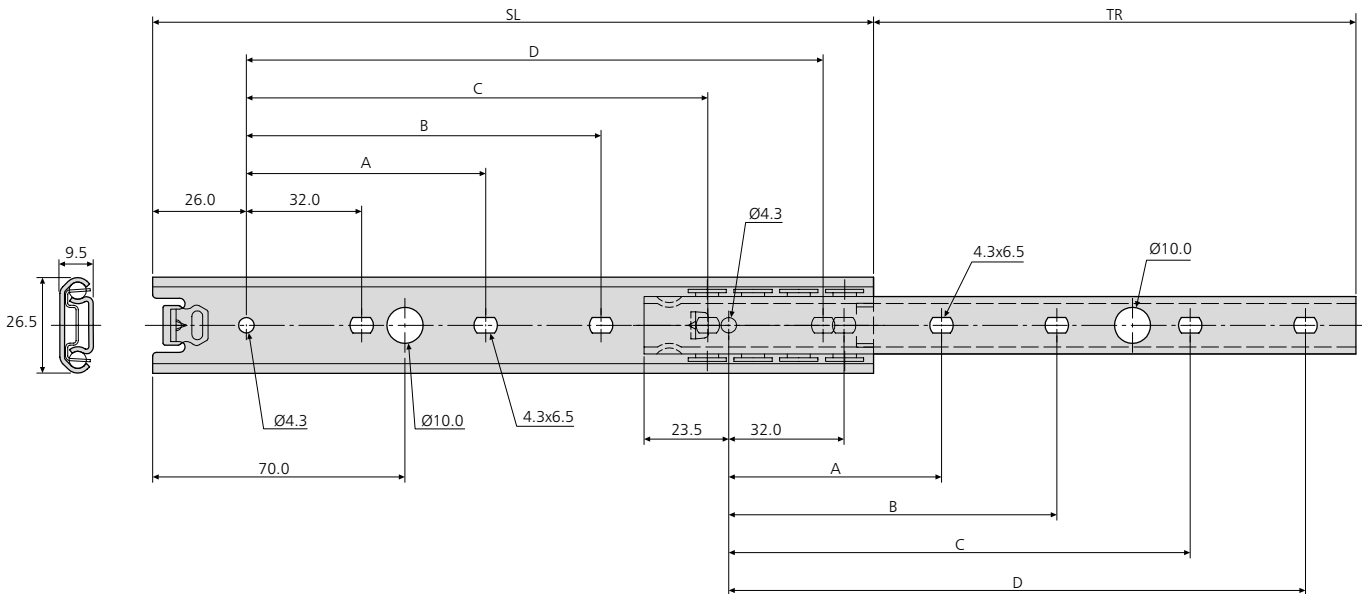
- Empfohlene Befestigung: Euro-Schraube 6mm/
Holzschraube 4mm.
Max. Kopfhöhe 2mm/Ø7,8mm
- Nur Vertikalmontage
- Falls nicht anders angegeben, sind die genannten Tragkräfte die maximal erreichbaren, bei einem Paar seitlich montierten Führungen mit 450mm Schienenabstand. Weitere Information siehe Abschnitt 'Schienen-Auswahl'

- High grade stainless steel
- Load rating up to 20kg per pair
- 75% extension
- 9.5mm slide thickness
- Hold-in
- Optional bracket kit for various mounting options
- Ideal for environments where mild steel might be subject to corrosion
- Suitable for flat mounting
- Flat mounting reduces load rating by 75%
- Temperature -20°C to +70°C



Notes:

- Fixing recommendation: M4 screw/
4mm wood screw
- Max. head. ht. 2.5mm/Ø9.6mm
- For bracket accessory kit see DS63610
- Load ratings quoted are the maximum for a pair of side mounted slides installed 450mm apart, unless otherwise stated. For more information, refer to "How to select a slide" section



DS2728	mm						kg	
	SL	TR±3	A	B	C	D	W	L
DS2728-0025	250	170	-	-	160	192	0.32	15
DS2728-0030	300	208	128	-	224	256	0.39	18
DS2728-0035	350	245	128	-	256	288	0.45	20
DS2728-0040	400	283	160	192	320	352	0.52	20
DS2728-0045	450	320	160	192	384	416	0.59	20
DS2728-0050	490	347	192	224	416	448	0.63	18

Full extension

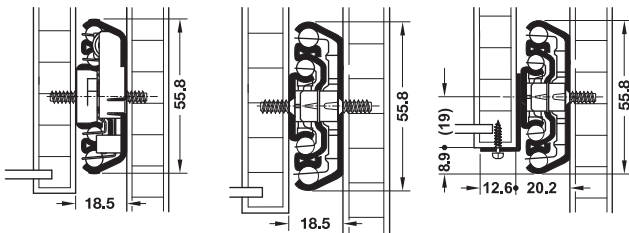
Load bearing capacity up to 129 kg, self closing mechanism or hold-in device for holding in closed position



Fig. shows side mounted version

- > Material: Steel
- > Finish: Galvanized
- > Installation: At drawer, side mounted or surface mounted

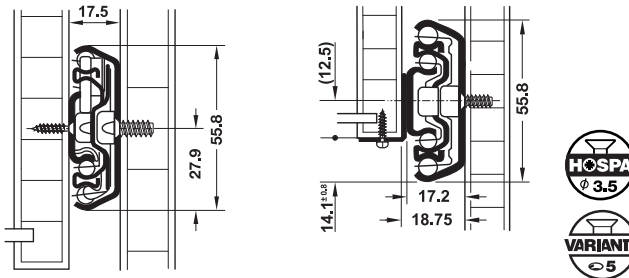
Installation



With self closing and soft closing mechanisms, max. drawer width = internal cabinet width – 38 mm

With self closing mechanism, side mounted, max. drawer width = internal cabinet width – 38 mm

With self closing mechanism, surface mounted, max. drawer width = internal cabinet width – 41.5 mm

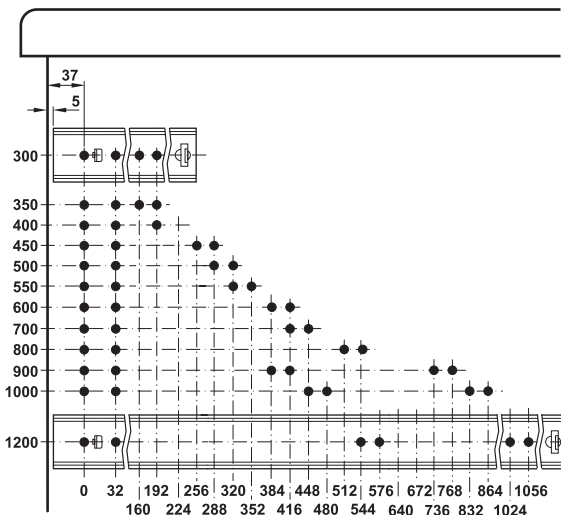


With hold-in device for holding in closed position, side mounted, max. drawer width = internal cabinet width – 36 mm

With hold-in device for holding in closed position, surface mounted, max. drawer width = internal cabinet width – 38 mm



Drilling pattern



Installation length L mm	Extension length AL mm	Load bearing capacity kg	Cat. No.
With self closing and soft closing mechanisms, side mounted			
350	336	65	432.04.736
400	401	75	432.04.741
450	451	75	432.04.746
500	506	75	432.04.751
550	555	75	432.04.756
With self closing mechanism, side mounted			
300	285	94	432.04.931
350	350	96	432.04.936
400	400	97	432.04.941
450	450	110	432.04.946
500	500	119	432.04.951
550	550	118	432.04.956
600	600	123	432.04.961
700	700	129	432.04.971
800	800	121	432.04.981

Installation length L mm	Extension length AL mm	Load bearing capacity kg	Cat. No.
With self closing mechanism, surface mounted			
300	285	94	432.05.931
350	350	96	432.05.936
400	400	97	432.05.941
450	450	110	432.05.946
500	500	119	432.05.951
550	550	118	432.05.956
600	600	123	432.05.961
700	700	129	432.05.971
800	800	121	432.05.981

Installation length L mm	Extension length AL mm	Load bearing capacity kg	Cat. No.
With hold-in device for holding in closed position, side mounted			
300	320	94	420.72.831
350	375	96	420.72.836
400	440	97	420.72.841
450	495	110	420.72.846
500	550	119	420.72.851
550	600	118	420.72.856
600	650	123	420.72.861
700	750	129	420.72.871
800	848	121	420.72.881
900	950	105	420.72.891
1000	1050	81	420.72.894
1200	1250	57	420.72.897

Installation length L mm	Extension length AL mm	Load bearing capacity kg	Cat. No.
With hold-in device for holding in closed position, surface mounted			
300	320	94	420.70.931
350	375	96	420.70.936
400	440	97	420.70.941
450	495	110	420.70.946
500	550	119	420.70.951
550	600	118	420.70.956
600	650	123	420.70.961
700	750	129	420.70.971

Packing: 1 pair

Order reference

Special lengths/functions available from 100 pairs on request.

Note

The specified load bearing capacities refer to 10,000 cycles.

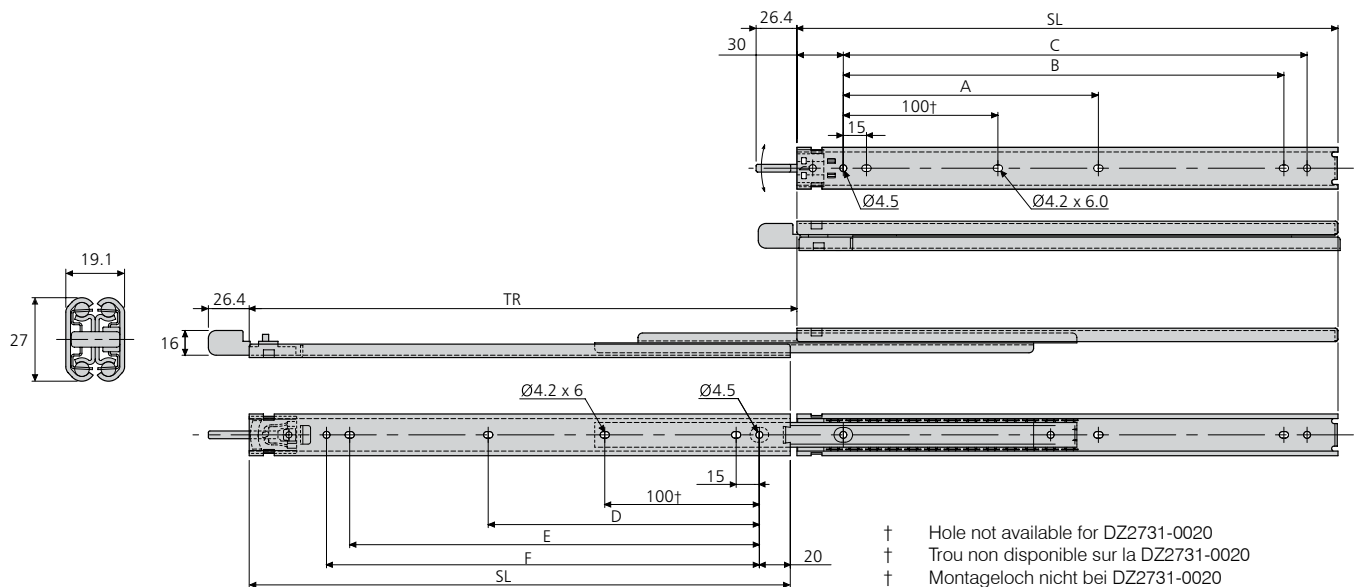
- Load rating up to 30kg per pair
- 100% extension
- 19.1mm slide thickness
- Low profile – 27mm high
- Lock-in
- Front lever lock release
- Not suitable for flat mounting
- Temperature -20°C to +70°C
- DZ - 12 hours salt spray test

- Lastwert bis 30kg pro paar
- Vollauszug
- 19,1mm Schienendicke
- Geringe Schienenhöhe: 27mm hoch
- Verriegelung in eingefahrener position
- Betätigung über Hebel
- Nicht für Flachmontage geeignet
- Temperatur -20°C bis +70°C
- DZ - 12 Stunden Salzsprühstest

Notes:

- *Fixing recommendation: M4 or M3*
- *Max. head height 2.5mm/Ø8.3mm*
- *Slide is unhandled*
- *Load ratings quoted are the maximum for a pair of side mounted slides installed 450mm apart, unless otherwise stated. For more information, refer to "How to select a slide" section*

80,000



2731CL	mm								kg	
	SL	TR±3	A	B	C	D	E	F	W	L
DZ2731-0020CL	200	207	-	135	150	-	119	130	0.561	23
DZ2731-0025CL	250	256	-	185	200	-	165	180	0.723	26
DZ2731-0030CL	300	305	-	235	250	-	215	230	0.885	30
DZ2731-0035CL	350	354	-	285	300	-	265	280	1.047	28
DZ2731-0040CL	400	404	-	335	350	-	315	330	1.209	26
DZ2731-0045CL	450	453	215	385	400	225	365	380	1.371	24
DZ2731-0050CL	500	502	240	435	450	250	415	430	1.533	22

Drawer Runners

Stainless steel ball bearing runners

(+386) 04 510 53 60
 (+386) 041 694 339
 info@metalika-kacin.com

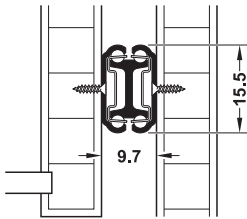
Mini Full extension

Load bearing capacity up to 11 kg



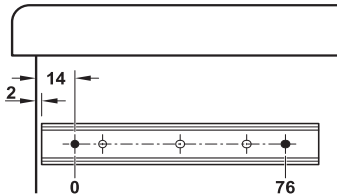
- > Area of application: For potentially corrosive environments and filigree furniture applications
- > Material: Stainless steel
- > Dim.: Max. drawer width = internal cabinet width – 19.4 mm
- > Installation: At drawer, side mounted

Installation



Side mounted

Drilling pattern

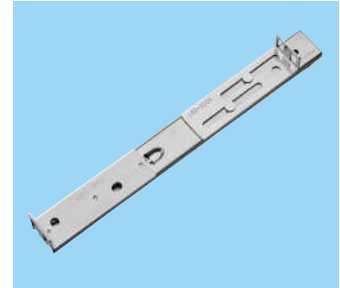


Installation length L mm	Extension length AL mm	Load bearing capacity kg	Cat. No.
100	125	11	432.30.410

Packing: 1 piece

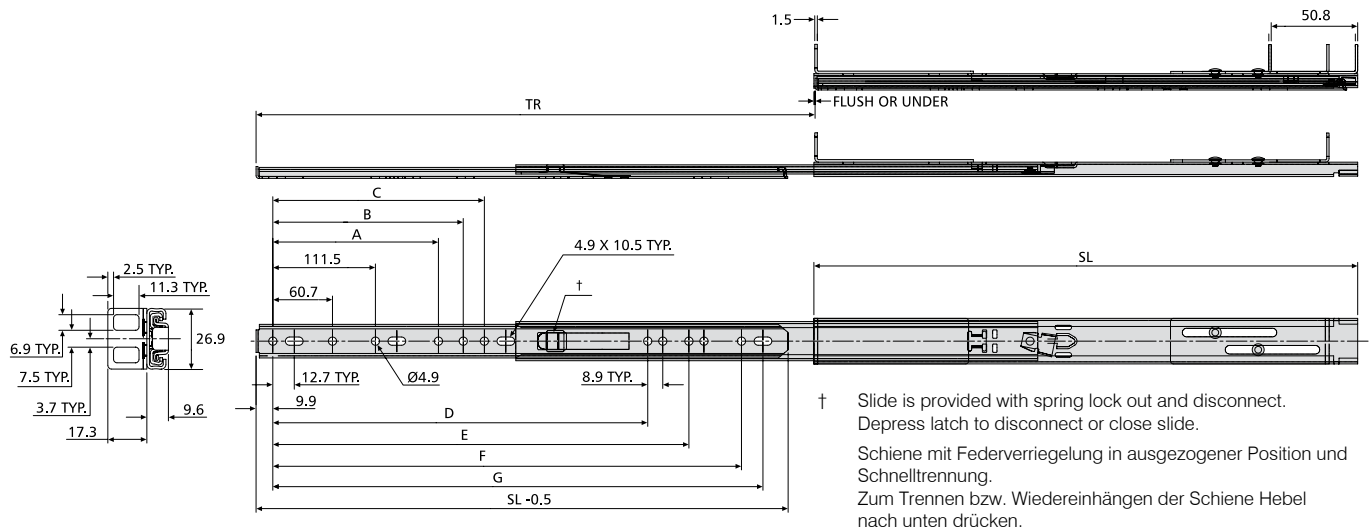
- Load rating up to 45kg per pair
- 100%+ extension
- 9.6mm slide thickness
- Lock-out
- Front disconnect
- Enclosure mounting brackets attached
- Enhanced friction movement
- Low profile for 1U and 2U applications
- Not suitable for flat mounting
- DZ - 12 hours salt spray test

2,000



Notes:

- Load rating is based on a 254mm slide in a 406mm wide chassis cycled 2,000 times
- Each part number includes: 1 pair of slides
- Fixing recommendation: M4 or M6 button head screws with cage nuts (not supplied)
- For cable carriers, refer to "Mounting kits and accessories" section (Suitability dependent on server depth)
- Vertical (side) mounting only



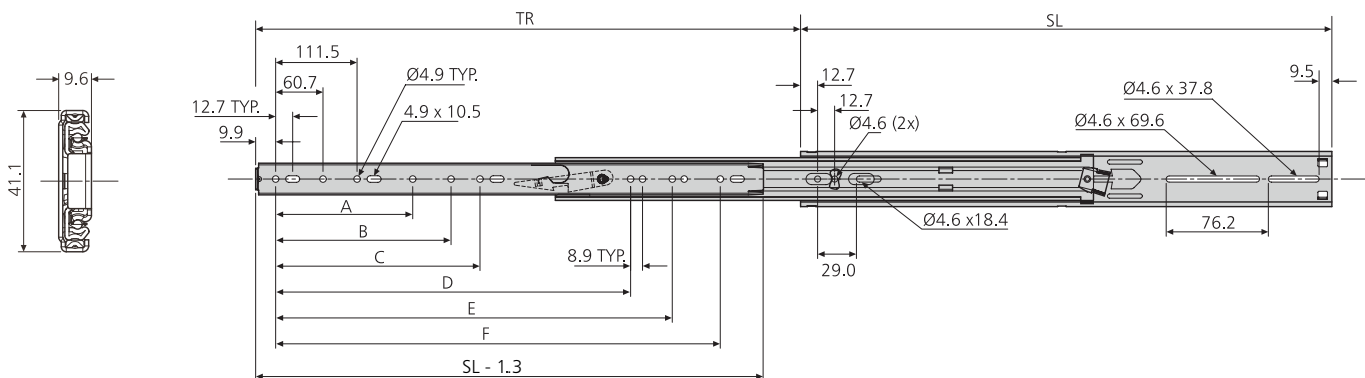
DZ2807	mm									kg	
	SL	TR	A	B	C	D	E	F	G	W	L
DZ2807-0010	254	305	-	-	-	-	-	-	-	0.66	45
DZ2807-0012	305	356	-	-	-	-	-	247.6	-	0.77	45
DZ2807-0014	356	406	-	-	-	-	-	247.6	298.4	0.88	43
DZ2807-0016	406	457	162.6	171.5	-	-	-	336.5	349.2	0.99	40
DZ2807-0018	457	508	-	-	164.8	314.3	-	387.3	400.0	1.11	36
DZ2807-0020	508	559	-	172.1	203.2	356.2	-	438.1	450.8	1.22	36
DZ2807-0022	559	610	-	-	213.0	407.0	-	488.9	501.6	1.33	34
DZ2807-0024	610	660	254.0	273.7	-	-	457.8	539.7	552.4	1.44	31
DZ2807-0026	660	711	140.3	232.4	269.1	416.6	508.6	590.5	603.2	1.55	29
DZ2807-0028	711	762	191.1	283.2	304.8	467.4	559.4	641.4	654.0	1.66	27
DZ2807-0030	762	813	-	241.9	319.9	518.2	610.2	692.1	704.9	1.77	27

- Load rating up to 55kg per pair
- 100%+ extension
- 9.6mm slide thickness
- Lock-out
- Front disconnect
- Optional enclosure mounting brackets
- Not suitable for flat mounting
- Temperature -20°C to +70°C
- DZ - 12 hours salt spray test

- Lastwert bis 55kg pro paar
- Überauszug
- 9,6mm Schienendicke
- Verriegelung ausgezogen
- Frontschnelltrennung
- Optionale Gehäuse-Montagewinkel
- Nicht für Flachmontage geeignet
- Temperatur -20°C bis +70°C
- DZ - 12 Stunden Salzsprühtest



10,000



2907	mm								kg	
	SL	TR	A	B	C	D	E	F	W	L
DZ2907-0012	305	356	-	-	-	-	-	235.0	0.84	30
DZ2907-0014	356	406	-	-	-	-	-	285.8	1.00	35
DZ2907-0016	406	457	162.6	-	-	-	-	336.5	1.13	45
DZ2907-0018	457	508	-	-	164.8	314.3	-	387.3	1.27	50
DZ2907-0020	508	559	-	172.1	203.2	356.2	-	438.1	1.42	55
DZ2907-0022	559	610	-	-	213.0	407.0	-	488.9	1.55	55
DZ2907-0024	610	660	254.0	273.7	-	-	457.8	539.7	1.71	50
DZ2907-0026	660	711	140.3	232.4	269.1	416.6	508.6	590.5	1.87	50
DZ2907-0028	711	762	191.1	283.2	304.8	467.4	559.4	641.4	2.00	50
DZ2907-0030	762	813	-	241.9	319.9	518.2	610.2	692.1	2.16	50

Notes:

- Fixing recommendation: M4 screw
- Max. head. ht. 2.5mm/Ø9.6mm
- For enclosure mounting brackets, refer to "Mounting kits and accessories" section
- For cable carriers, refer to "Mounting kits and accessories" section
- Vertical (side) mounting only
- Load ratings quoted are the maximum for a pair of side mounted slides installed 450mm apart, unless otherwise stated. For more information, refer to "How to select a slide" section

Hinweise:

- Empfohlene Befestigung: Schraube M4
- Max. Kopfhöhe 2,5mm/Ø9,6mm
- Gehäuse-Montagewinkel siehe Abschnitt 'Montage-Kits und Zubehör'
- Kabelträger siehe Abschnitt 'Montage-Kits und Zubehör'
- Nur Vertikalmontage
- Falls nicht anders angegeben, sind die genannten Tragkräfte die maximal erreichbaren, bei einem Paar seitlich montierten Führungen mit 450mm Schienenabstand. Weitere Information siehe Abschnitt 'Schienen-Auswahl'

- High grade stainless steel
- Suitable for use in temperatures up to 300°C
- Load rating up to 75kg per pair
- 100% extension
- 19.1mm slide thickness
- High temperature food-grade grease
- Optional bracket kit for various mounting options
- Ideal for environments where mild steel might be subject to corrosion
- Suitable for flat mounting
- Flat mounting reduces load rating by 75%
- Temperature -20°C to +300°C

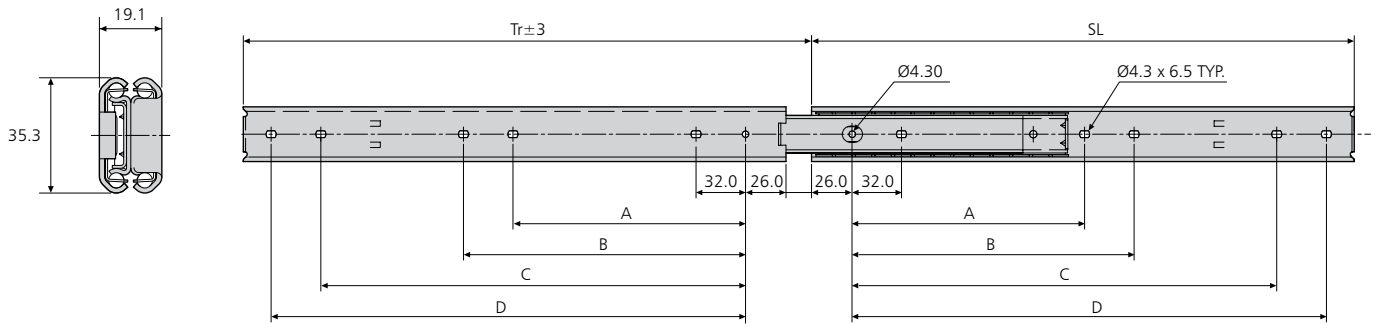
- Hochwertiger Edelstahl
- Geeignet für Temperaturen bis 300°C
- Lastwert bis 75kg pro paar
- Vollauszug
- 19,1mm Schienendicke
- Lebensmittelchtes Hochtemperaturfett
- Zusätzlicher Winkel-Satz für vielfältige Montagearten möglich
- Ideal für Umgebungen, wo Baustahl korrodieren könnte
- Für Flachmontage geeignet
- Flachmontage reduziert den Lastwert um 75%
- Temperatur -20°C bis +300°C

Notes:

- Fixing recommendation: M4 screw
- Max. head. ht. 2.5mm/Ø9.6mm
- For bracket accessory kit see DS63610
- Load ratings quoted are the maximum for a pair of side mounted slides installed 450mm apart, unless otherwise stated. For more information, refer to "How to select a slide" section



Stainless steel
Edelstahl



DS63610

DS3031	mm						kg	
	SL	TR	A	B	C	D	W	L
DS3031-0030	300	317.4	-	-	224.0	256.0	1.53	63
DS3031-0035	350	366.6	-	-	256.0	288.0	1.72	68
DS3031-0040	400	415.8	-	192.0	320.0	352.0	1.91	70
DS3031-0045	450	465.0	-	224.0	352.0	384.0	2.10	75
DS3031-0050	500	514.2	256.0	288.0	416.0	448.0	2.29	70
DS3031-0055	550	563.4	288.0	320.0	480.0	512.0	2.48	65
DS3031-0060	600	612.6	320.0	352.0	512.0	544.0	2.67	63
DS3031-0065	650	661.8	320.0	352.0	576.0	608.0	2.86	60
DS3031-0070	700	711.0	352.0	384.0	608.0	640.0	3.05	55

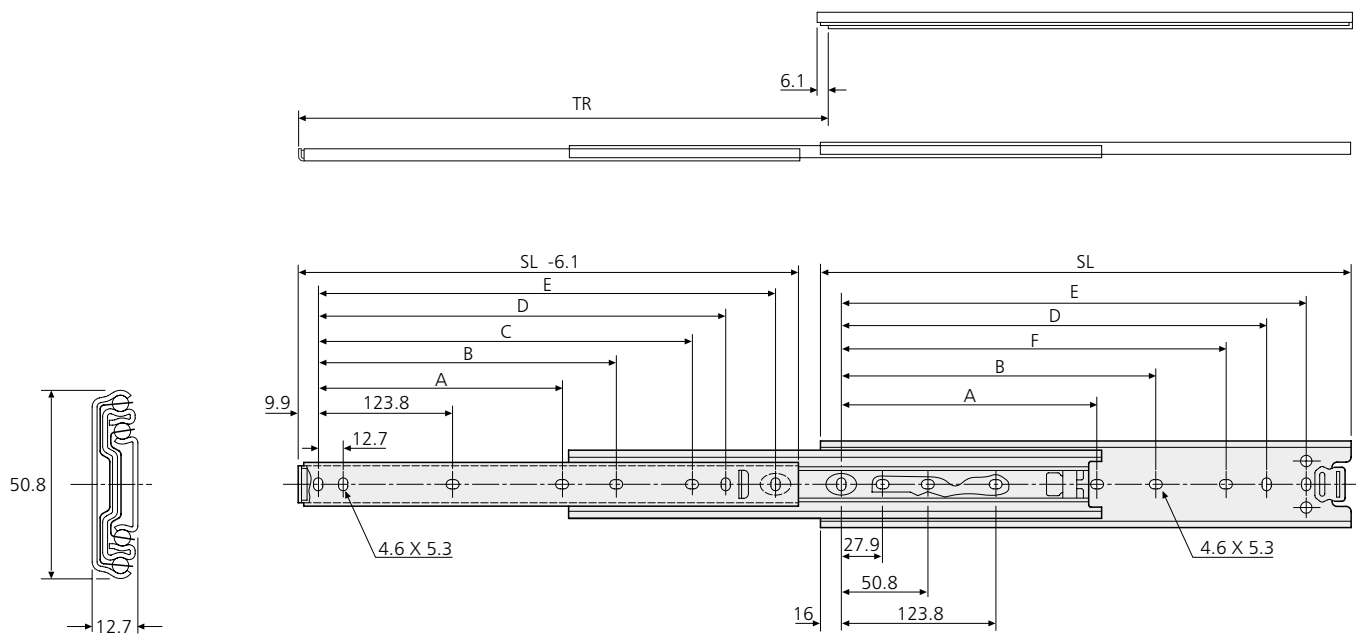
- Load rating up to 68kg per pair
- 100%+ extension
- 12.7mm slide thickness
- Hold-in
- Optional enclosure mounting brackets
- Suitable for flat mounting
- Flat mounting reduces load rating by 75%
- Temperature -20°C to +70°C
- DZ - 12 hours salt spray test



- Lastwert bis 68kg pro paar
- Überauszug
- 12,7mm Schienendicke
- Rastung in geschlossener Position
- Optionale Gehäuse-Montagewinkel
- Für Flachmontage geeignet
- Flachmontage reduziert den Lastwert um 75%
- Temperatur -20°C bis +70°C
- DZ - 12 Stunden Salzsprühstest

Notes:

- Fixing hardware included
- For enclosure mounting brackets, refer to "Mounting kits and accessories" section
- For cable carriers, refer to "Mounting kits and accessories" section
- Load ratings quoted are the maximum for a pair of side mounted slides installed 450mm apart, unless otherwise stated. For more information, refer to "How to select a slide" section

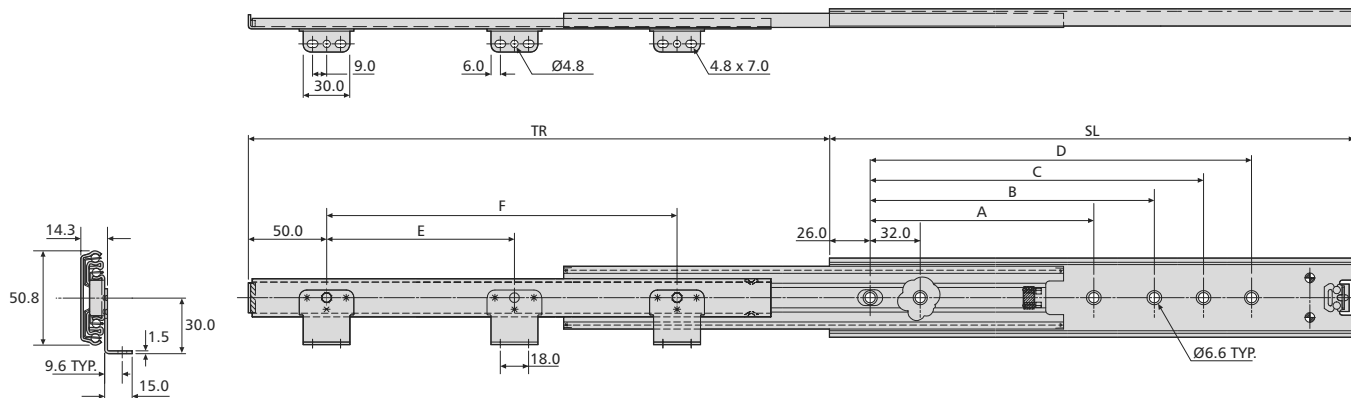
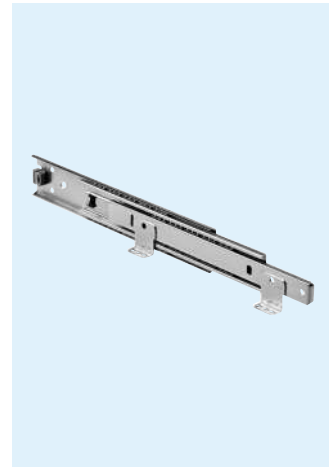


3301	mm								kg	
	SL	TR	A	B	C	D	E	F	W	L
DZ3301-0012-2	305	330	-	162.1	222.2	235.0	260.3	209.5	1.27	68
DZ3301-0014-2	356	381	-	212.8	273.0	285.7	311.1	260.3	1.51	67
DZ3301-0016-2	406	432	-	263.6	323.8	336.5	361.9	311.1	1.73	67
DZ3301-0018-2	457	483	212.8	314.4	374.6	387.3	412.7	361.9	1.92	66
DZ3301-0020-2	508	533	238.2	365.2	425.4	438.1	463.5	412.7	2.14	66
DZ3301-0022-2	559	584	263.6	416.0	476.2	488.9	514.3	463.5	2.37	64
DZ3301-0024-2	610	635	289.0	466.8	527.0	539.7	565.1	514.3	2.53	61
DZ3301-0026-2	660	686	314.4	517.6	577.8	590.5	615.9	565.1	2.77	58
DZ3301-0028-2	711	737	339.8	568.4	628.6	641.3	666.7	615.9	3.01	55

- Load rating up to 60kg per pair
- 100%+ extension
- 14.3mm slide thickness
- Brackets on drawer member
- Hold-in
- Not suitable for flat mounting
- Temperature -20°C to +70°C
- DZ - 12 hours salt spray test

50,000

- Lastwert bis 60kg pro paar
- Überauszug
- 14,3mm Schienendicke
- Winkel an Schiene zur Bodenmontage
- Rastung in geschlossener Position
- Nicht für Flachmontage geeignet
- Temperatur -20°C bis +70°C
- DZ - 12 Stunden Salzsprühtest



3301-60	mm								kg	
	SL	TR	A	B	C	D	E	F	W	L
DZ3301-6030	300	325.0	-	-	224	-	-	190	1.29	60
DZ3301-6035	350	374.2	-	-	224	256	-	240	1.48	59
DZ3301-6040	400	436.1	160	192	320	-	-	290	1.69	59
DZ3301-6045	450	498.0	160	192	320	352	-	340	1.90	58
DZ3301-6050	500	547.2	192	224	416	448	-	390	2.13	58
DZ3301-6055	550	596.4	-	224	448	480	250	440	2.35	57
DZ3301-6060	600	658.3	256	288	480	512	250	490	2.57	55
DZ3301-6065	650	707.5	256	288	544	576	250	540	2.83	53
DZ3301-6070	700	769.4	288	416	576	608	250	590	3.04	50

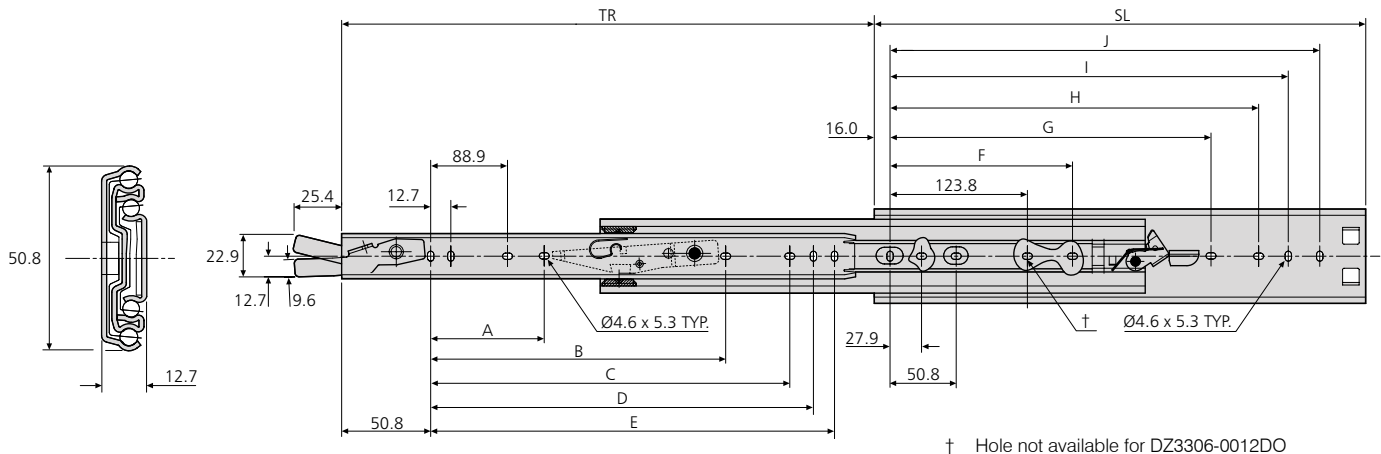
Notes:

- Fixing recommendation: 4mm wood screw/ 6mm Euro screw
- Load ratings quoted are the maximum for a pair of side mounted slides installed 450mm apart, unless otherwise stated. For more information, refer to "How to select a slide" section

Hinweise:

- Empfohlene Befestigung: Holzschraube 4mm/ Euro-Schraube 6mm
- Falls nicht anders angegeben, sind die genannten Tragkräfte die maximal erreichbaren, bei einem Paar seitlich montierten Führungen mit 450mm Schienenabstand. Weitere Information siehe Abschnitt „Schienen-Auswahl“

- Load rating up to 68kg per pair
- 100%+ extension
- 12.7mm slide thickness
- Lock-in
- Hold-out in open position
- Front disconnect
- Fixing hardware included
- Optional enclosure mounting brackets
- Suitable for flat mounting
- Flat mounting reduces load rating by 75%
- Temperature -20°C to +70°C
- DZ - 12 hours salt spray test



3306DO	mm												kg	
	SL	TR	A	B	C	D	E	F	G	H	I	J	W	L
DZ3306-0012DO-2	305	330	-	-	200.1	212.8	225.5	-	-	209.5	234.9	260.3	1.28	68
DZ3306-0014DO-2	356	381	-	-	250.9	263.6	276.3	-	-	260.3	285.7	311.1	1.54	67
DZ3306-0016DO-2	406	432	-	-	301.7	314.4	327.1	-	-	311.1	336.5	361.9	1.71	67
DZ3306-0018DO-2	457	483	143.0	279.4	352.5	365.2	377.9	177.8	314.4	361.9	387.3	412.7	1.93	66
DZ3306-0020DO-2	508	533	168.4	330.2	403.3	416.0	428.7	203.2	365.2	412.7	438.1	463.5	2.15	66
DZ3306-0022DO-2	559	584	193.8	381.0	454.1	466.8	479.5	228.6	416.0	463.5	488.9	514.3	2.38	64
DZ3306-0024DO-2	610	635	219.2	431.8	504.9	517.6	530.3	254.0	466.8	514.3	539.7	565.1	2.57	61
DZ3306-0026DO-2	660	686	244.6	482.6	555.7	568.4	581.1	279.4	517.6	565.1	590.5	615.9	2.83	58
DZ3306-0028DO-2	711	737	270.0	533.4	606.5	619.2	631.9	304.8	568.4	615.9	641.3	666.7	3.05	55



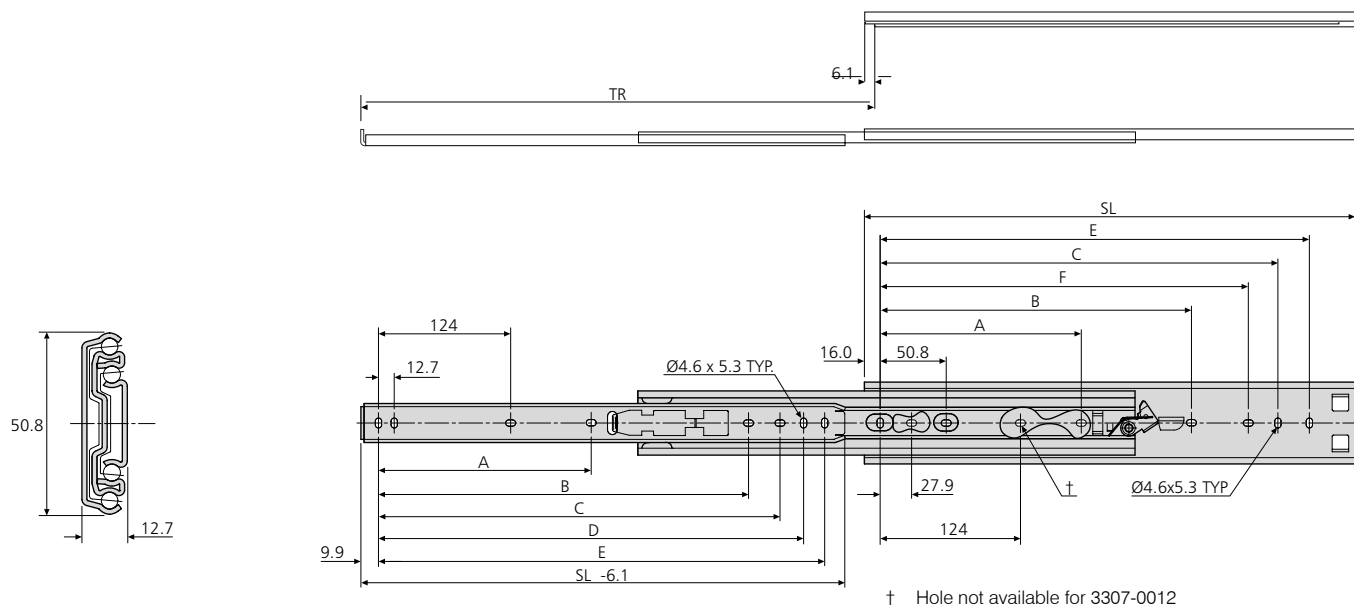
Notes:

- Handed slide assembly
- Fixing hardware included
- For enclosure mounting brackets, refer to "Mounting kits and accessories" section
- For cable carriers, refer to "Mounting kits and accessories" section
- Load ratings quoted are the maximum for a pair of side mounted slides installed 450mm apart, unless otherwise stated. For more information, refer to "How to select a slide" section

- Load rating up to 68kg per pair
- 100%+ extension
- 12.7mm slide thickness
- Front disconnect
- Lock-out
- Fixing hardware included
- Optional enclosure mounting brackets
- Suitable for flat mounting
- Flat mounting reduces load rating by 75%
- Temperature -20°C to +70°C
- DZ - 12 hours salt spray test



- Lastwert bis 68kg pro paar
- Überauszug
- 12,7mm Schienendicke
- Frontschnelltrennung
- Verriegelung ausgezogen
- Befestigungsteile inbegriffen
- Optionale Gehäuse-Montagewinkel
- Für Flachmontage geeignet
- Flachmontage reduziert den Lastwert um 75%
- Temperatur -20°C bis +70°C
- DZ - 12 Stunden Salzsprühtest



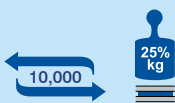
3307	mm								kg	
	SL	TR	A	B	C	D	E	F	W	L
DZ3307-0012-2	305	330	-	-	234.9	247.6	260.3	209.5	1.32	68
DZ3307-0014-2	356	381	-	-	285.7	298.4	311.1	260.3	1.51	67
DZ3307-0016-2	406	432	-	-	336.5	349.2	361.9	311.1	1.73	67
DZ3307-0018-2	457	483	177.8	314.5	387.3	400.0	412.7	361.9	1.94	66
DZ3307-0020-2	508	533	203.2	365.2	438.1	450.8	463.5	412.7	2.16	66
DZ3307-0022-2	559	584	228.6	416.0	488.9	501.6	514.3	463.5	2.39	64
DZ3307-0024-2	610	635	254.0	466.8	539.7	552.4	565.1	514.3	2.60	61
DZ3307-0026-2	660	686	279.4	517.7	590.6	603.3	615.9	565.1	2.81	58
DZ3307-0028-2	711	737	304.8	568.5	641.4	654.1	666.8	616.0	3.04	55



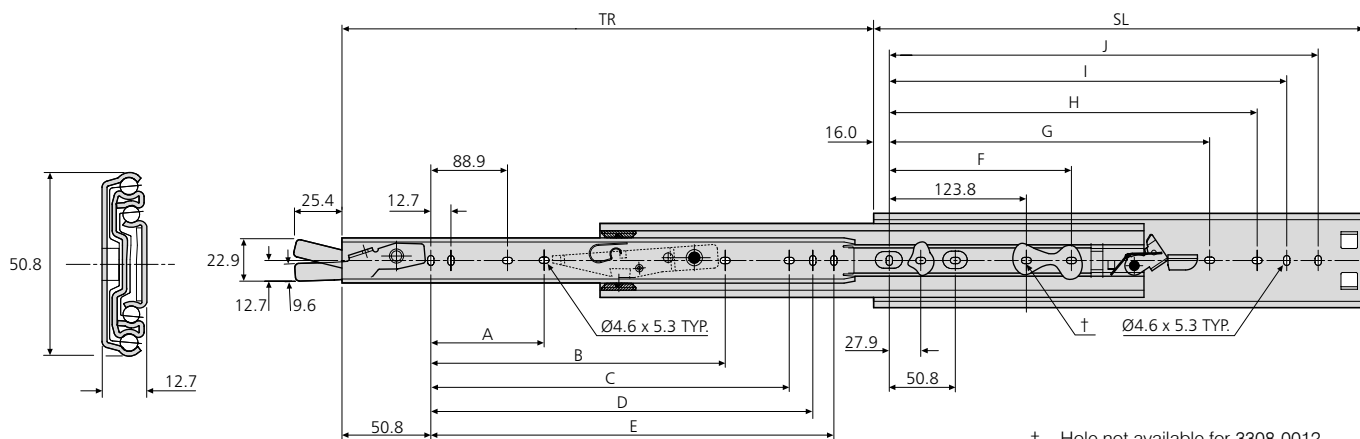
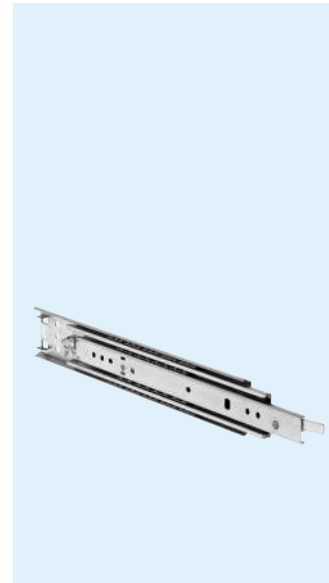
Notes:

- For enclosure mounting brackets, refer to "Mounting kits and accessories" section
- For cable carriers, refer to "Mounting kits and accessories" section
- Load ratings quoted are the maximum for a pair of side mounted slides installed 450mm apart, unless otherwise stated. For more information, refer to "How to select a slide" section

- Load rating up to 68kg per pair
- 100%+ extension
- 12.7mm slide thickness
- Lock-in
- Lock-out
- Front disconnect
- Fixing hardware included
- Optional enclosure mounting brackets
- Suitable for flat mounting
- Flat mounting reduces load rating by 75%
- Temperature -20°C to +70°C
- DZ - 12 hours salt spray test



- Lastwert bis 68kg pro paar
- Überauszug
- 12,7mm Schienendicke
- Verriegelung in eingezogener position
- Verriegelung in ausgezogener Position
- Frontschnelltrennung
- Befestigungsteile inbegriffen
- Optionale Gehäuse-Montagewinkel
- Für Flachmontage geeignet
- Flachmontage reduziert den Lastwert um 75%
- Temperatur -20°C bis +70°C
- DZ - 12 Stunden Salzsprühstest



3308	mm												kg	
	SL	TR	A	B	C	D	E	F	G	H	I	J	W	L
DZ3308-0012-2	305	330	-	-	200.1	212.8	225.5	-	-	209.5	234.9	260.3	1.32	68
DZ3308-0014-2	356	381	-	-	250.9	263.6	276.3	-	-	260.3	285.7	311.1	1.54	67
DZ3308-0016-2	406	432	-	-	301.7	314.4	327.1	-	-	311.1	336.5	361.9	1.75	67
DZ3308-0018-2	457	483	143.0	279.4	352.5	365.2	377.9	177.8	314.4	361.9	387.3	412.7	1.96	66
DZ3308-0020-2	508	533	168.4	330.2	403.3	416.0	428.7	203.2	365.2	412.7	438.1	463.5	2.19	66
DZ3308-0022-2	559	584	193.8	381.0	454.1	466.8	479.5	228.6	416.0	463.5	488.9	514.3	2.37	64
DZ3308-0024-2	610	635	219.2	431.8	504.9	517.6	530.3	254.0	466.8	514.3	539.7	565.1	2.63	61
DZ3308-0026-2	660	686	244.6	482.6	555.7	568.4	581.1	279.4	517.6	565.1	590.5	615.9	2.86	58
DZ3308-0028-2	711	737	270.0	533.4	606.5	619.2	631.9	304.8	568.4	615.9	641.3	666.7	3.05	55

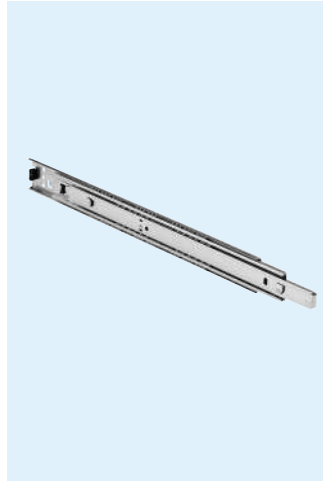


Notes:

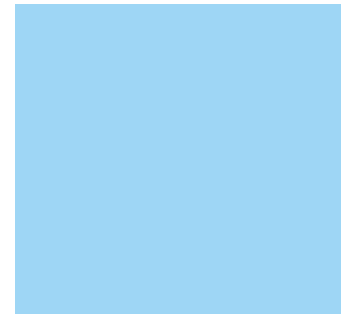
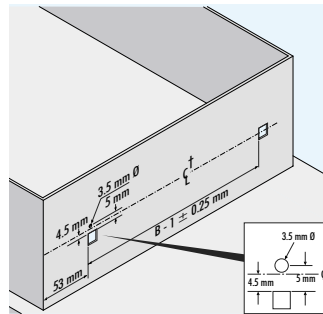
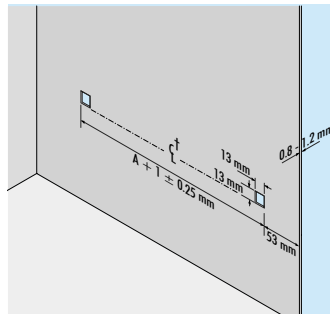
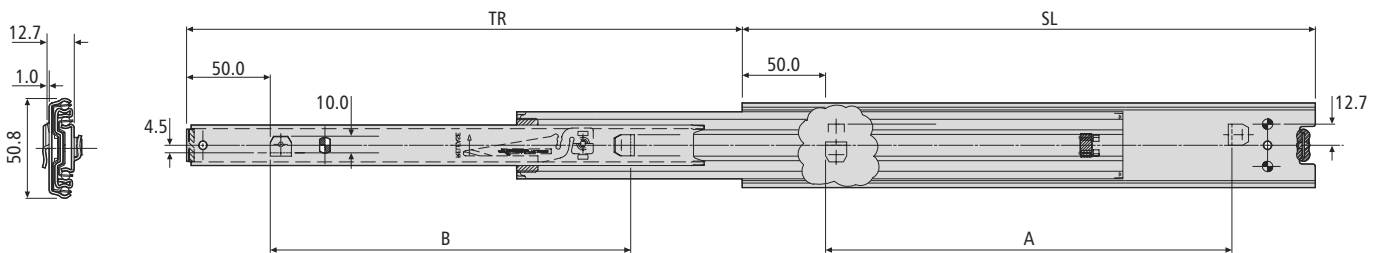
- Handed slide assembly
- Fixing hardware included
- For enclosure mounting brackets, refer to "Mounting kits and accessories" section
- For cable carriers, refer to "Mounting kits and accessories" section
- Load ratings quoted are the maximum for a pair of side mounted slides installed 450mm apart, unless otherwise stated. For more information, refer to "How to select a slide" section

- Load rating up to 60kg per pair
- 100%+ extension
- 12.7mm slide thickness
- Bayonet mounting
- Hold-in
- Front disconnect
- Not suitable for flat mounting
- Temperature -20°C to +70°C
- DZ - 12 hours salt spray test

- Lastwert bis 60kg pro paar
- Überauszug
- 12,7mm Schienendicke
- Bajonettmontage
- Rastung in geschlossener Position
- Frontschnelltrennung
- Nicht für Flachmontage geeignet
- Temperatur -20°C bis +70°C
- DZ - 12 Stunden Salzsprühtest



50,000



3320-50	mm				kg	
	SL	TR	A	B	W	L
DZ3320-5030	300	325	200	200	1.23	55
DZ3320-5035	350	374	250	250	1.45	57
DZ3320-5040	400	424	300	300	1.66	58
DZ3320-5045	450	473	350	350	1.87	59
DZ3320-5050	500	522	400	400	2.07	60
DZ3320-5055	550	571	450	450	2.29	60
DZ3320-5060	600	620	500	500	2.52	59
DZ3320-5065	650	670	550	550	2.72	57
DZ3320-5070	700	731	600	600	2.93	55

Notes:

- Bayonet mounting for metal cabinets and chassis walls of between 0.8-1.2mm thickness
- Vertical (side) mounting only
- For more information, refer to "How to select a slide" section

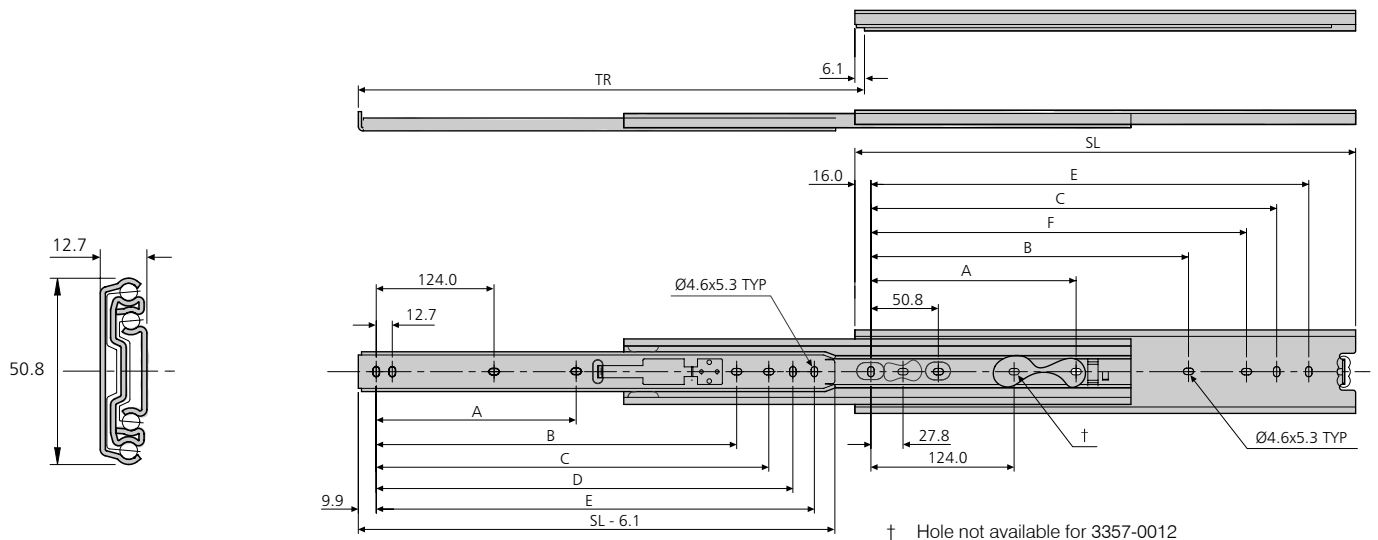
Hinweise:

- Bajonettmontage für Metallschränke und Chassiswände mit 0,8mm-1,2mm Dicke
- Nur Vertikalmontage
- Weitere Information siehe Abschnitt „Schienen-Auswahl“

- Load rating up to 68kg per pair
- 100%+ extension
- 12.7mm slide thickness
- Front disconnect
- Fixing hardware included
- Optional enclosure mounting brackets
- Suitable for flat mounting
- Flat mounting reduces load rating by 75%
- Temperature -20°C to +70°C
- DZ - 12 hours salt spray test



- Lastwert bis 68kg pro paar
- Überauszug
- 12,7mm Schienendicke
- Frontschnelltrennung
- Befestigungsteile inbegriffen
- Optionale Gehäuse-Montagewinkel
- Optionale Gehäuse-Montagewinkel
- Flachmontage reduziert den Lastwert um 75%
- Temperatur -20°C à +70°C
- DZ - 12 Stunden Salzsprühstest



3357	mm								kg	
	SL	TR	A	B	C	D	E	F	W	L
DZ3357-0012-2	305	330	-	-	235.0	247.7	260.4	209.6	1.22	68
DZ3357-0014-2	356	381	-	-	285.8	298.5	311.2	260.4	1.41	67
DZ3357-0016-2	406	432	-	-	336.6	349.3	362.0	311.2	1.59	67
DZ3357-0018-2	457	483	177.8	314.5	387.4	400.1	412.8	362.0	1.81	66
DZ3357-0020-2	508	533	203.2	365.3	438.2	450.9	463.6	412.8	2.00	66
DZ3357-0022-2	559	584	228.6	416.1	489.0	501.7	514.4	463.6	2.22	64
DZ3357-0024-2	610	635	254.0	466.9	539.8	552.5	565.2	514.4	2.40	61
DZ3357-0026-2	660	686	279.4	517.7	590.6	603.3	616.0	565.2	2.63	58
DZ3357-0028-2	711	737	304.8	568.5	641.4	654.1	666.8	616.0	2.81	55
DZ3357-0030-2	762	787	330.2	619.3	692.2	704.9	717.6	666.8	2.99	51

Notes:

- For enclosure mounting brackets, refer to "Mounting kits and accessories" section
- For cable carriers, refer to "Mounting kits and accessories" section
- Load ratings quoted are the maximum for a pair of side mounted slides installed 450mm apart, unless otherwise stated. For more information, refer to "How to select a slide" section

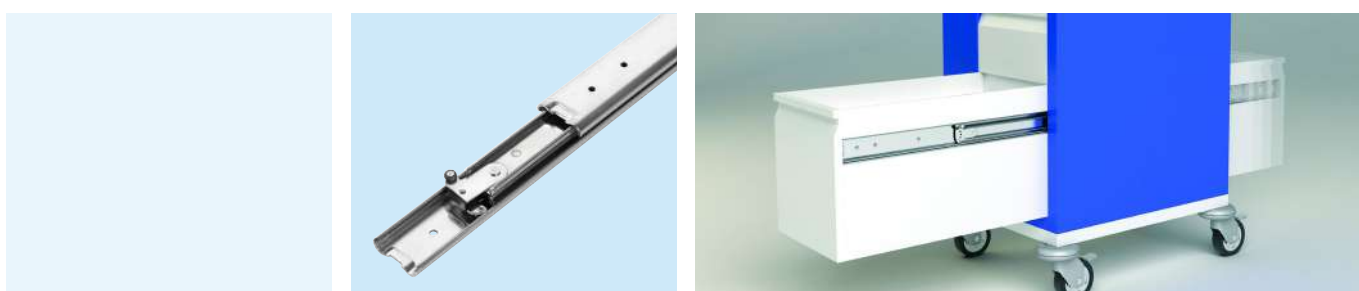
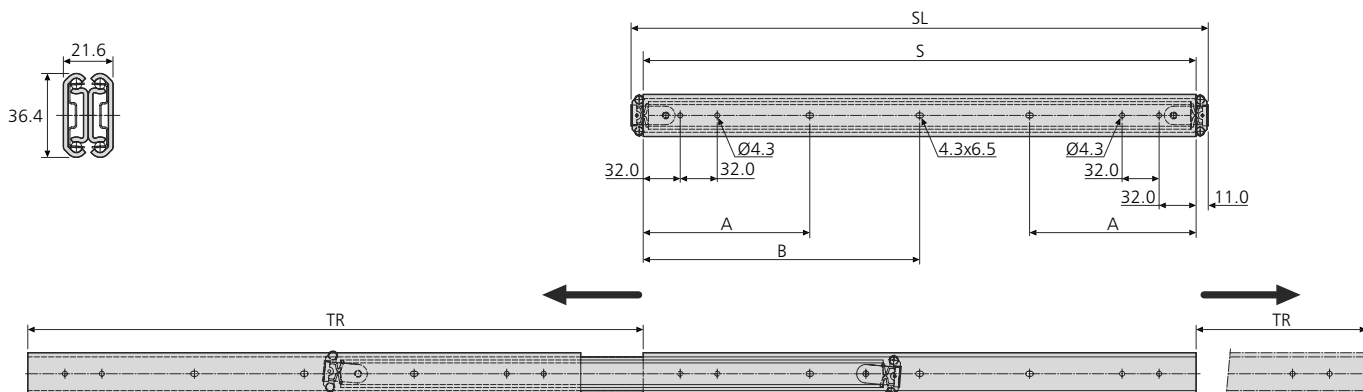


- Two-way travel
- Load rating up to 45kg per pair
- 100% extension
- 21.6mm slide thickness
- Hold-in (at centre)
- Not suitable for flat mounting
- Temperature -20°C to +70°C
- DZ - 12 hours salt spray test
- DB - 96 hours salt spray test

80,000

Notes:

- Fixing recommendation: M4 screw/
4mm wood screw
- Max.head. ht. 2.5mm/Ø9.6mm
- Vertical (side) mounting only
- Load ratings quoted are the maximum for a pair of side mounted slides installed 450mm apart, unless otherwise stated. For more information, refer to "How to select a slide" section

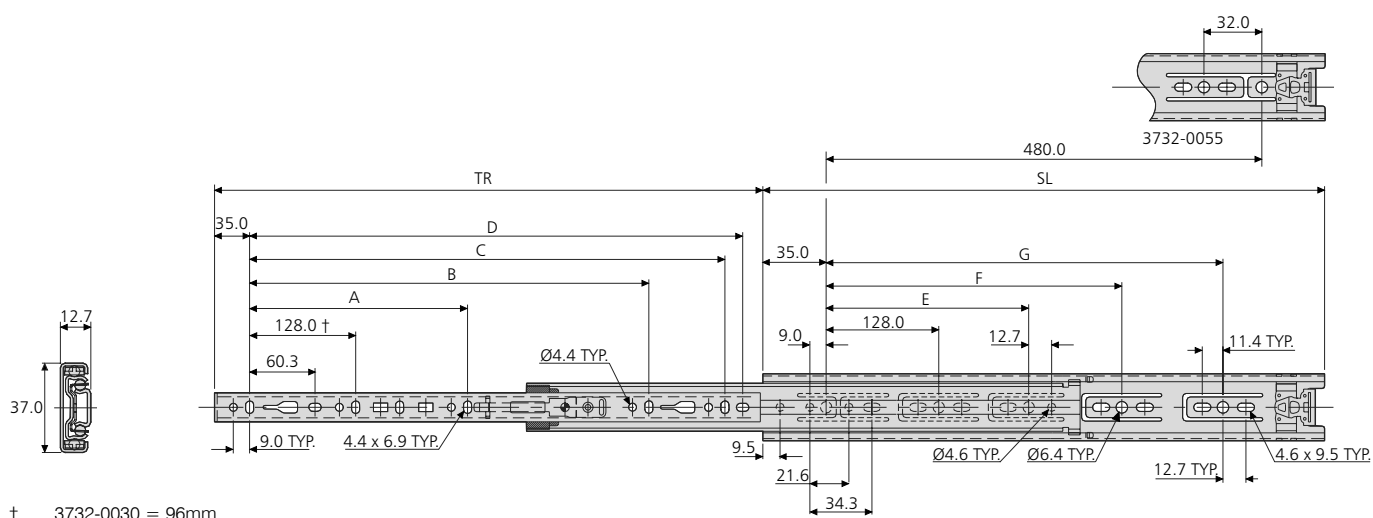


3630	mm						kg	
	SL	S	TR	Trx2	A	B	W	L
*3630-0030	300	278	332	664	-	139	1.54	35
*3630-0035	350	328	384	768	144	-	1.81	40
*3630-0040	400	378	432	864	144	-	2.11	40
*3630-0045	450	428	484	968	144	-	2.35	45
*3630-0050	500	478	532	1064	144	-	2.66	45
*3630-0055	550	528	584	1168	144	-	2.89	45
*3630-0060	600	578	632	1264	144	-	3.18	45
*3630-0070	700	678	732	1464	176	339	3.76	40

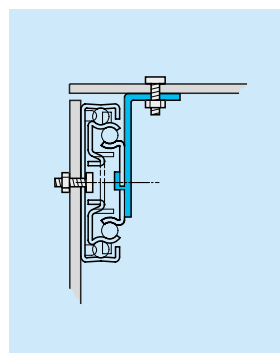
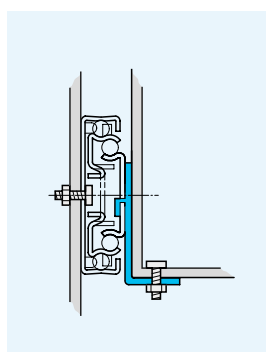
* Prefix DZ for bright zinc plate, DB for black zinc plate
Préfixe DZ pour zingué brillant, DB pour zingué noir
Präfix DZ für helle Oberfläche, DB für schwarze Oberfläche

- Load rating up to 40kg per pair
- 100% extension
- 12.7mm slide thickness (14mm with mounting bracket)
- Optional clip-on bracket for bottom and platform mounting
- Unhanded push-latchdisconnect
- Hold-in
- Not suitable for flat mounting
- Temperature -20°C to +70°C
- DZ - 12 hours salt spray test

80,000



3732	mm									kg	
	SL	TR	A	B	C	D	E	F	G	W	L
DZ3732-0030	300	292	-	-	-	230.8	224	-	-	0.74	40
DZ3732-0035	350	356	-	-	-	280.8	224	-	-	0.87	40
DZ3732-0040	400	406	-	-	-	330.8	224	-	320	0.99	40
DZ3732-0045	450	457	-	320	-	380.8	224	-	352	1.11	40
DZ3732-0050	500	508	-	320	-	430.8	224	-	416	1.25	40
DZ3732-0055	550	559	-	320	416	480.8	224	352	-	1.37	40
DZ3732-0060	600	610	224	416	-	530.8	224	352	480	1.50	40
DZ3732-0065	650	660	224	416	544	580.8	224	352	544	1.63	40



Notes:

- Fixing recommendations: M4 screw/4mm wood screw/6mm Euro screw
- Max. head. ht. 2.5mm/Ø9.6mm
- For optional clip-on brackets, refer to 633xx in "Mounting kits and accessories" section. Not 3732-0030
- Vertical (side) mounting only
- Load ratings quoted are the maximum for a pair of side mounted slides installed 450mm apart, unless otherwise stated. For more information, refer to "How to select a slide" section

- Load rating up to 50kg per pair
- 100% extension
- 12.7mm slide thickness (14mm with mounting bracket)
- Optional clip-on bracket for bottom & platform mounting
- Front disconnect
- Hold-in
- Cam drawer adjust (3.2mm)
- Not suitable for flat mounting
- Temperature -20°C to +70°C
- DZ - 12 hours salt spray test
- DB - 96 hours salt spray test

- Lastwert bis 50kg pro paar
- Vollauszug
- 12,7mm Schienendicke (14mm mit Montagewinkel)
- Optionaler Aufsteckwinkel für Boden- bzw. Plattformmontage
- Frontschnelltrennung
- Rastung in geschlossener Position
- Einstellnocken für Schublade (3,2mm)
- Nicht für Flachmontage geeignet
- Temperatur -20°C bis +70°C
- DZ - 12 Stunden Salzsprühtest
- DB - 96 Stunden Salzsprühtest

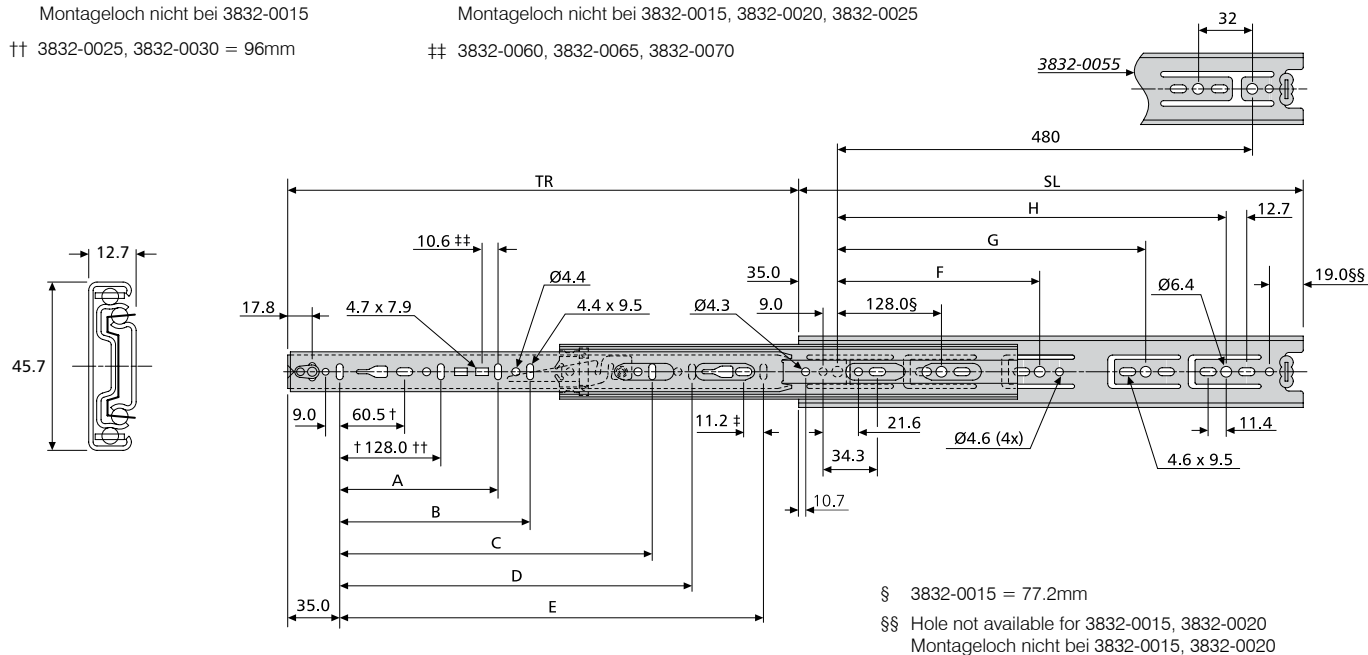


† Hole not available for 3832-0015
 Montageloch nicht bei 3832-0015

†† 3832-0025, 3832-0030 = 96mm

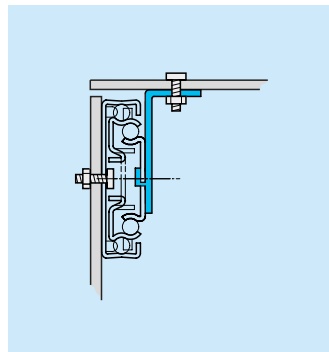
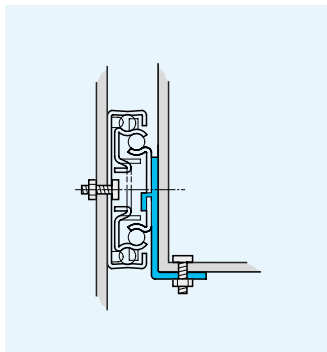
‡ Hole not available for 3832-0015, 3832-0020, 3832-0025
 Montageloch nicht bei 3832-0015, 3832-0020, 3832-0025

‡‡ 3832-0060, 3832-0065, 3832-0070



3832	mm										kg	
	SL	TR	A	B	C	D	E	F	G	H	W	L
*3832-0015	148	138	-	-	-	-	96	-	-	-	0.44	45
*3832-0020	199	203	-	-	-	-	141	-	-	-	0.60	46
*3832-0025	250	254	-	-	-	-	192	-	-	-	0.76	47
*3832-0030	300	305	-	-	-	-	242	224	-	-	0.90	48
*3832-0035	350	356	-	-	-	-	292	224	-	-	1.06	49
*3832-0040	400	406	-	-	-	-	342	224	320	-	1.22	50
*3832-0045	450	457	-	-	320	-	392	224	352	-	1.36	50
*3832-0050	500	508	-	-	320	-	442	224	416	-	1.52	50
*3832-0055	550	559	-	-	320	416	492	224	352	448	1.68	50
*3832-0060	600	610	224	-	416	-	542	224	352	480	1.85	50
*3832-0065	650	660	224	-	416	544	592	224	352	544	2.00	49
*3832-0070	700	711	224	288	416	544	642	224	352	544	2.15	48

* Prefix DZ for bright zinc plate, DB for black zinc plate, DW for white electro-plate
 Präfix DZ für helle Oberfläche, DB für schwarze Oberfläche, DW für weiße Oberfläche



633XX



Notes:

- Fixing recommendation: M4 screw/4mm wood screw/6mm Euro screw
- Max. head. ht. 2.5mm/Ø9.6mm
- For optional clip-on brackets, refer to 633xx in "Mounting kits and accessories" section. Not 3832-0015/0020/0025/0030
- Vertical (side) mounting only
- DW3832 – Load rating up to 35kg
- Load ratings quoted are the maximum for a pair of side mounted slides installed 450mm apart, unless otherwise stated. For more information, refer to "How to select a slide" section

Hinweise:

- Empfohlene Befestigung: Schraube M4/ Holzschraube 4mm/Euro-Schraube 6mm
- Max. Kopfhöhe 2,5mm/Ø9,6mm
- Optionale Aufsteckwinkel siehe 633xx in Abschnitt „Montage-Kits und Zubehör“. Nicht 3832-0015/0020/0025/0030
- Nur Vertikalmontage
- DW3832 – Lastwert bis 35kg
- Falls nicht anders angegeben, sind die genannten Tragkräfte die maximal erreichbaren, bei einem Paar seitlich montierten Führungen mit 450mm Schienenabstand. Weitere Information siehe Abschnitt „Schienen-Auswahl“

- Corrosion resistant for harsh environments
- Load rating up to 50kg per pair
- 100% extension
- 12.7mm slide thickness
- 8 times more protection than regular zinc finish
- Stainless steel ball retainer, ball bearings and rivets
- Hold-in
- Front disconnect
- Cam drawer adjust (3.2mm)
- Not suitable for flat mounting
- Temperature -20°C to +70°C
- DH - 96 hours salt spray test

- Korrosionsbeständig für raue Umgebungen
- Lastwert bis 50kg pro paar
- Vollauszug
- 12,7mm Schienendicke
- 8-mal besserer Schutz als bei verzinkten Oberflächen
- Kugelkäfige, Kugeln und Nieten aus Edelstahl
- Rastung in geschlossener Position
- Frontschnelltrennung
- Einstellnocken für Schublade (3,2mm)
- Nicht für Flachmontage geeignet
- Temperatur -20°C bis +70°C
- DH - 96 Stunden Salzsprühtest

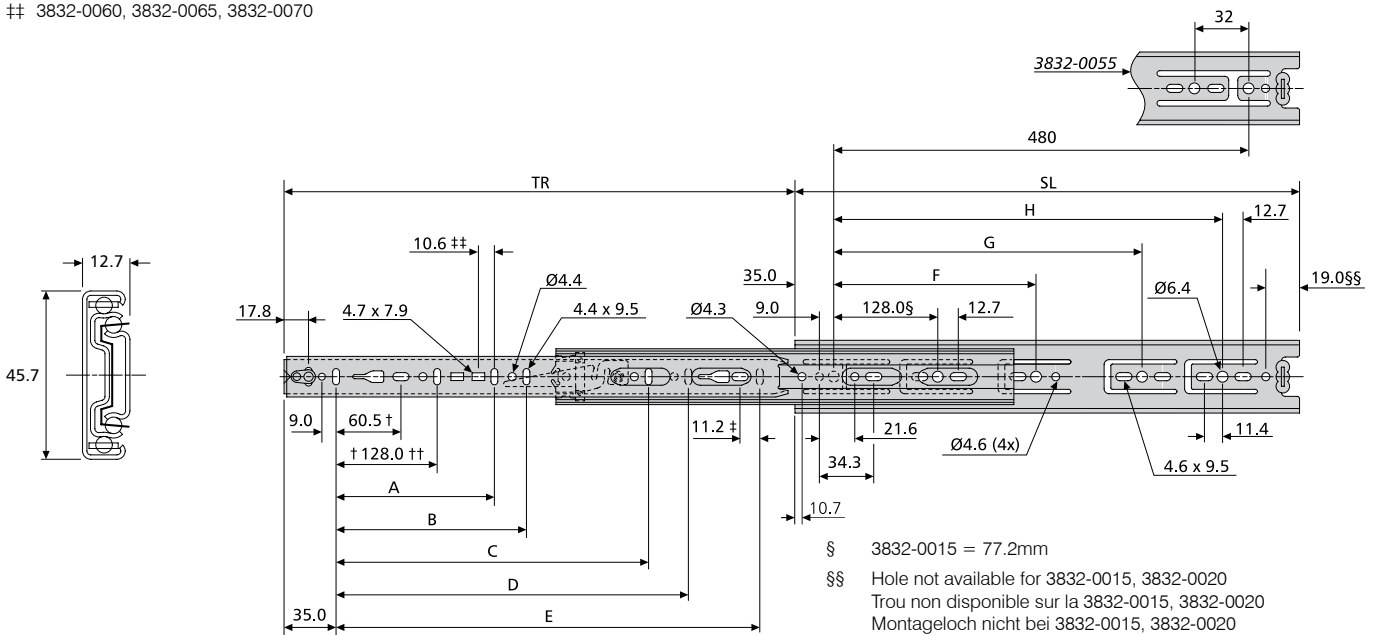


† Hole not available for 3832-0015
Montageloch nicht bei 3832-0015

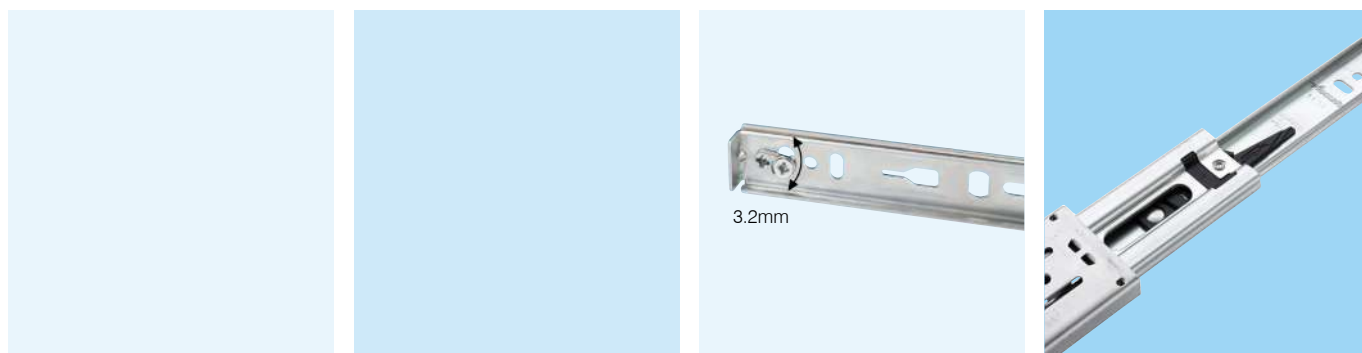
†† 3832-0025, 3832-0030 = 96mm

‡ Hole not available for 3832-0015, 3832-0020, 3832-0025
Montageloch nicht bei 3832-0015, 3832-0020, 3832-0025

‡‡ 3832-0060, 3832-0065, 3832-0070



DH3832	mm										kg	
	SL	TR	A	B	C	D	E	F	G	H	W	L
DH3832-0015	148	138	-	-	-	-	96	-	-	-	0.43	45
DH3832-0020	199	203	-	-	-	-	141	-	-	-	0.61	46
DH3832-0025	250	254	-	-	-	-	192	-	-	-	0.76	47
DH3832-0030	300	305	-	-	-	-	242	224	-	-	0.90	48
DH3832-0035	350	356	-	-	-	-	292	224	-	-	1.06	49
DH3832-0040	400	406	-	-	-	-	342	224	320	-	1.21	50
DH3832-0045	450	457	-	-	320	-	392	224	352	-	1.36	50
DH3832-0050	500	508	-	-	320	-	442	224	416	-	1.51	50
DH3832-0055	550	559	-	-	320	416	492	224	352	448	1.67	50
DH3832-0060	600	610	224	-	416	-	542	224	352	480	1.85	50
DH3832-0065	650	660	224	-	416	544	592	224	352	544	1.98	49
DH3832-0070	700	711	224	288	416	544	642	224	352	544	2.15	48



Notes:

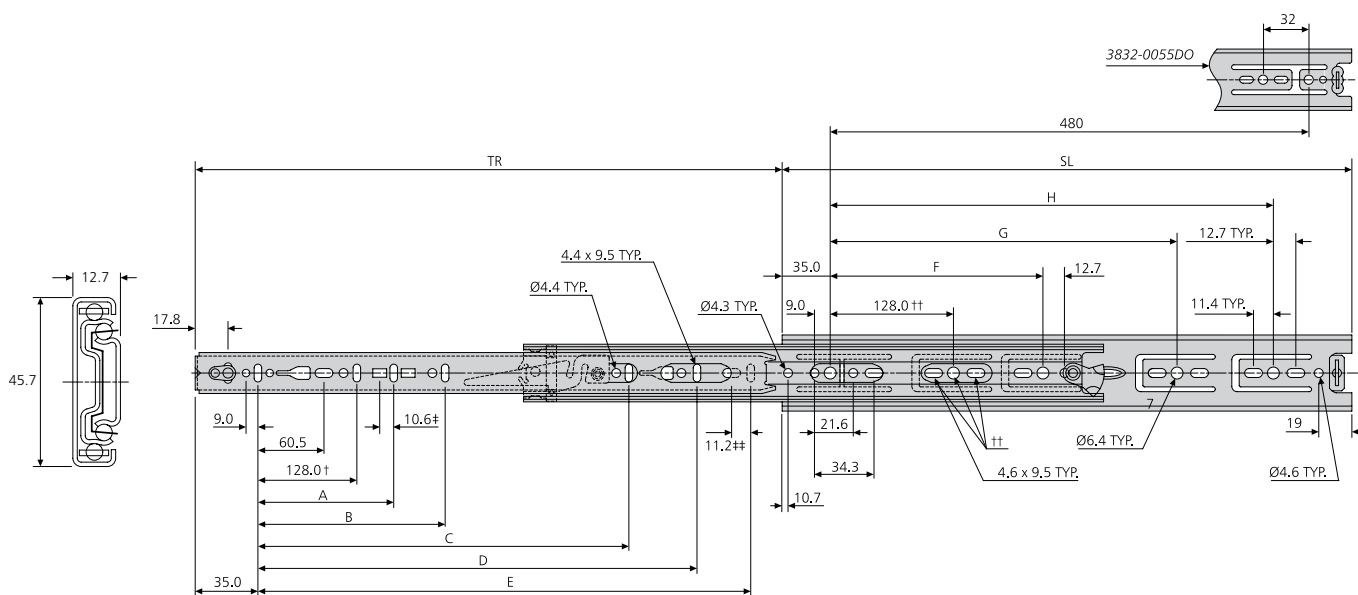
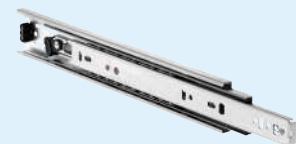
- Fixing recommendation: M4 screw/4mm wood screw/6mm Euro screw
- Max. head. ht. 2.5mm/Ø9.6mm
- Vertical (side) mounting only
- Load ratings quoted are the maximum for a pair of side mounted slides installed 450mm apart, unless otherwise stated. For more information, refer to "How to select a slide" section

Hinweise:

- Empfohlene Befestigung: Schraube M4/ Holzschraube 4mm /Euro-Schraube 6mm
- Max. Kopfhöhe 2,5mm/Ø9,6mm
- Nur Vertikalmontage
- Falls nicht anders angegeben, sind die genannten Tragkräfte die maximal erreichbaren, bei einem Paar seitlich montierten Führungen mit 450mm Schienenabstand. Weitere Information siehe Abschnitt „Schienen-Auswahl“

- Hold-out in open position
- Load rating up to 45/50kg per pair
- 100% extension
- 12.7mm slide thickness (14mm with mounting bracket)
- Optional clip-on bracket for bottom and platform mounting
- Front disconnect
- Hold-in
- Cam drawer adjust (3.2mm)
- Not suitable for flat mounting
- Temperature -20°C to +70°C
- DZ - 12 hours salt spray test

- Rastung in ausgezogener Position
- Lastwert bis 45/50kg pro paar
- Vollauszug
- 12,7mm Schienendicke (14mm mit Montagewinkel)
- Optionaler Aufsteckwinkel für Boden- bzw. Plattformmontage
- Frontschnelltrennung
- Rastung in geschlossener Position
- Einstellnocken für Schublade (3,2mm)
- Nicht für Flachmontage geeignet
- Temperatur -20°C bis +70°C
- DZ - 12 Stunden Salzsprühtest



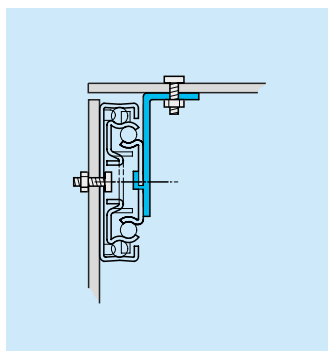
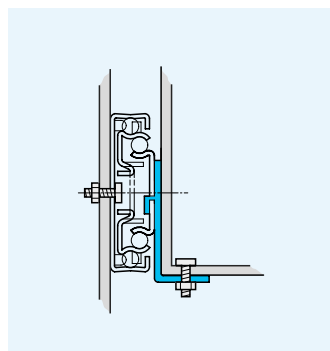
† 3832-0025DO/3832-0030DO – 96mm

†† Hole not available for 3832-0025DO/3832-0030DO
Montageloch nicht bei 3832-0025DO/3832-0030DO

‡ 3832-0060DO, 3832-0065DO, 3832-0070DO

‡‡ Hole not available for 3832-0025DO
Montageloch nicht bei 3832-0025DO

3832DO	mm										kg		
	SL	TR	A	B	C	D	E	F	G	H	W	L 10,000	L 80,000
DZ3832-0025DO	250	243	-	-	-	-	192	160	-	-	0.77	47	41
DZ3832-0030DO	300	305	-	-	-	-	242	224	-	-	0.91	48	42
DZ3832-0035DO	350	356	-	-	-	-	292	224	-	-	1.07	49	43
DZ3832-0040DO	400	406	-	-	-	-	342	224	320	-	1.21	50	44
DZ3832-0045DO	450	457	-	-	320	-	392	-	352	-	1.37	50	45
DZ3832-0050DO	500	508	-	-	320	-	442	-	416	-	1.53	50	45
DZ3832-0055DO	550	559	-	-	320	416	492	-	352	-	1.68	50	45
DZ3832-0060DO	600	610	224	-	416	-	542	224	352	480	1.86	50	45
DZ3832-0065DO	650	660	224	-	416	544	592	224	352	544	1.97	49	44
DZ3832-0070DO	700	711	224	288	416	544	642	224	-	544	2.17	48	43



Notes:

- Fixing recommendation: M4 screw/4mm wood screw/6mm Euro screw
- Max. head. ht. 2.5mm/Ø9.6mm
- For optional clip-on brackets, refer to 633xx in "Mounting kits and accessories" section. Not 3832-0025DO/0030DO
- Vertical (side) mounting only
- Load ratings quoted are the maximum for a pair of side mounted slides installed 450mm apart, unless otherwise stated. For more information, refer to "How to select a slide" section

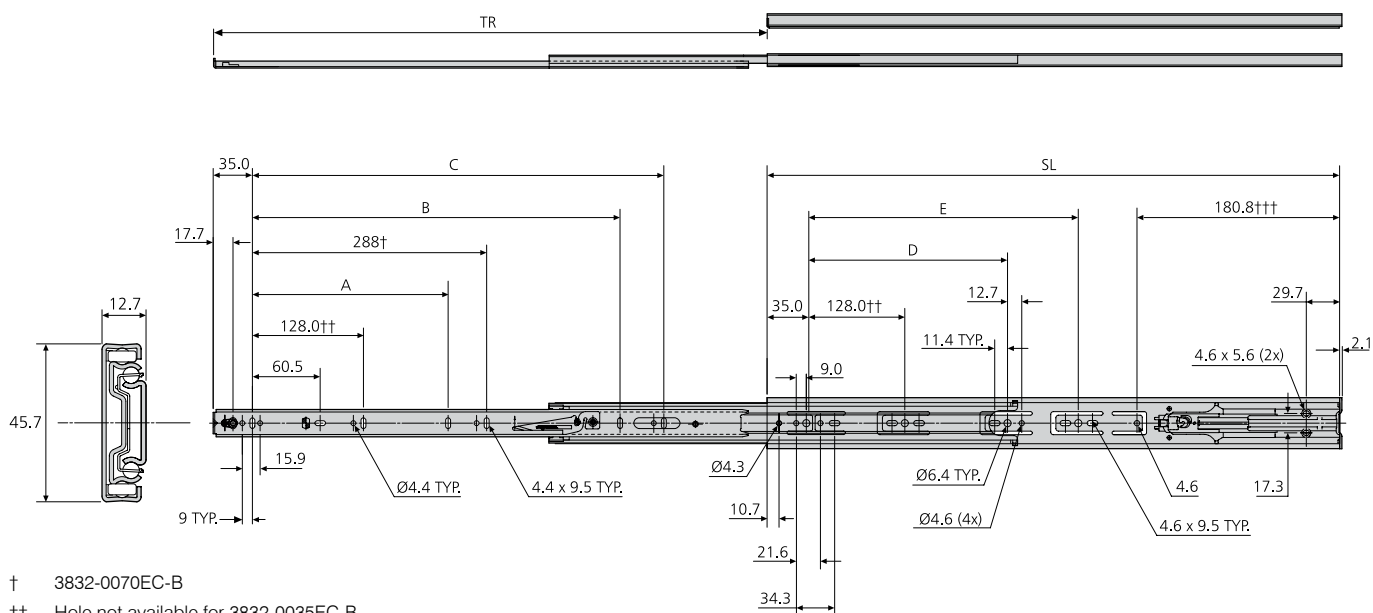
Hinweise:

- Empfohlene Befestigung: Schraube M4/ Holzschraube 4mm/Euro-Schraube 6mm
- Max. Kopfhöhe 2,5mm/Ø9,6mm
- Optionale Aufsteckwinkel siehe 633xx in Abschnitt „Montage-Kits und Zubehör“. Nicht 3832-0025DO/0030DO
- Nur Vertikalmontage
- Falls nicht anders angegeben, sind die genannten Tragkräfte die maximal erreichbaren, bei einem Paar seitlich montierten Führungen mit 450mm Schienenabstand. Weitere Information siehe Abschnitt „Montage-Kits und Zubehör“

- Soft close
- Load rating up to 45kg per pair
- 100% extension
- 12.7mm slide thickness
- Front disconnect
- Hold-in
- Cam drawer adjust (3.2mm)
- Not suitable for flat mounting
- Temperature +10°C to +40°C
- DZ - 12 hours salt spray test
- DB - 96 hours salt spray test

80,000

- Gedämpfter Selbsteinzug
- Lastwert bis 45kg pro paar
- Vollauszug
- 12,7mm Schienendicke
- Frontschnelltrennung
- Einhalterung in geschlossener Position
- Einstellnocken für Schublade (3,2mm)
- Nicht für Flachmontage geeignet
- Temperatur +10°C bis +40°C
- DZ - 12 Stunden Salzsprühstest
- DB - 96 Stunden Salzsprühstest

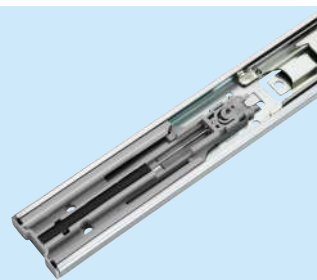


3832EC-B	mm							kg	
	SL	TR	A	B	C	D	E	W	L
*3832-0035EC-B	350	310	-	206	-	-	-	0.97	43
*3832-0040EC-B	400	406	-	257	-	-	-	1.12	44
*3832-0045EC-B	450	457	-	305	-	224	-	1.27	45
*3832-0050EC-B	500	508	-	352	-	224	-	1.44	45
*3832-0055EC-B	550	559	-	407	352	224	-	1.60	45
*3832-0060EC-B	600	610	224	-	416	224	352	1.77	45
*3832-0065EC-B	650	660	224	-	416	224	352	1.92	44
*3832-0070EC-B	700	711	224	-	544	224	352	2.09	43

* Prefix DZ for bright zinc plate, DB for black zinc plate

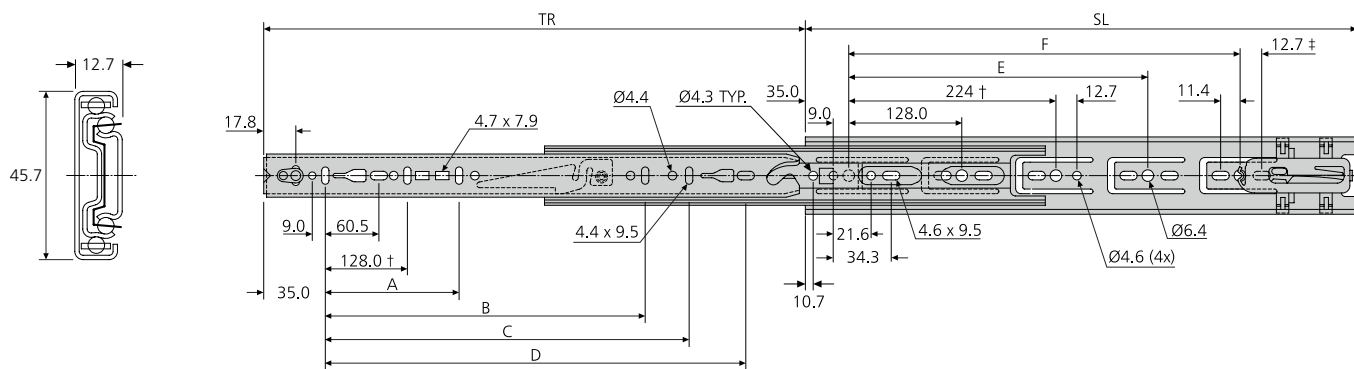
Notes:

- Fixing recommendation: M4 screw/4mm wood screw/6mm Euro screw
- Max. head. ht. 2.5mm/Ø9.6mm
- Use for side (vertical) mount only
- Vertical (side) mounting only
- Drawer width should not exceed slide length
- Operating range 10°C – 40°C
- More info: "How to select a slide" section



- Two self-close options
- Closing/opening force –
 SC: 14 – 27 N per slide
 HDSC: 27 – 41 N per slide
- Load rating up to 45/50kg per pair
- 100% extension
- 12.7mm slide thickness (14mm with mounting bracket)
- Optional clip-on bracket for bottom and platform mounting
- Front disconnect
- Hold-in
- Cam drawer adjust (3.2mm)
- Not suitable for flat mounting
- Temperature -20°C to +70°C
- DZ - 12 hours salt spray test
- DB - 96 hours salt spray test

- 2 Selbsteinzugs-Varianten
- Schließ/Öffnungs-Kraft
 SC: 14 – 27 N pro Schiene
 HDSC: 27 – 41 N pro Schiene
- Lastwert bis 45/50kg pro paar
- Vollauszug
- 12,7mm Schienendicke (14mm mit Montagewinkel)
- Optionaler Aufsteckwinkel für Boden- bzw. Plattformmontage
- Frontschnelltrennung
- Rastung in geschlossener Position
- Einstellnocken für Schublade (3,2mm)
- Nicht für Flachmontage geeignet
- Temperatur -20°C bis +70°C
- DZ - 12 Stunden Salzsprühtest
- DB - 96 Stunden Salzsprühtest

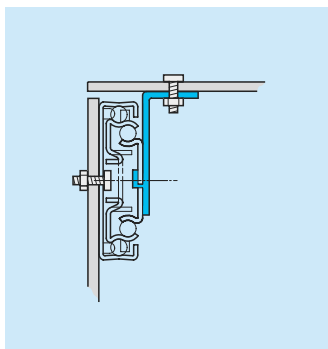
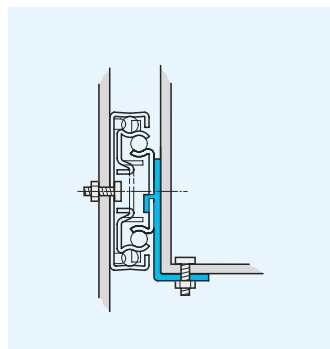


† Hole not available for 3832-0030SC/HDSC
 Montageloch nicht bei 3832-0030SC/HDSC

‡ Hole not available for 3832-0040SC/HDSC & 3832-0050SC/HDSC
 Montageloch nicht bei 3832-0040SC/ HDSC & 3832-0050SC/HDSC

3832SC/ 3832HDSC	mm								kg		
	SL	TR	A	B	C	D	E	F	W	L 10,000	L 80,000
*3832-0030SC	300	286	-	-	-	231	-	-	0.90	48	42
DZ3832-0030HDSC	300	286	-	-	-	231	-	-	0.90	48	42
*3832-0035SC	350	356	-	-	-	281	-	-	1.04	49	43
DZ3832-0035HDSC	350	356	-	-	-	281	-	-	1.04	49	43
*3832-0040SC	400	406	-	-	-	331	288	-	1.20	50	44
DZ3832-0040HDSC	400	406	-	-	-	331	288	-	1.20	50	44
*3832-0045SC	450	457	-	320	-	381	320	-	1.33	50	45
DZ3832-0045HDSC	450	457	-	320	-	381	320	-	1.33	50	45
*3832-0050SC	500	508	-	-	-	432	384	-	1.50	50	45
DZ3832-0050HDSC	500	508	-	-	-	432	384	-	1.50	50	45
*3832-0055SC	550	559	-	416	-	481	416	-	1.67	50	45
DZ3832-0055HDSC	550	559	-	416	-	481	416	-	1.67	50	45
*3832-0060SC	600	610	224	416	-	531	352	480	1.82	50	45
DZ3832-0060HDSC	600	610	224	416	-	531	352	480	1.82	50	45
*3832-0065SC	650	660	224	416	544	581	352	512	1.96	49	44
DZ3832-0065HDSC	650	660	224	416	544	581	352	512	1.96	49	44

* 3832SC only prefix DZ for bright zinc plate, DB for black zinc plate, DW for white electro-plate
 Nur bei 3832SC, Präfix DZ für helle Oberfläche, DB für schwarze Oberfläche, DW für weiße Oberfläche



Notes:

- Fixing recommendation: M4 screw/4mm wood screw/6mm Euro screw
- Max. head. ht. 2.5mm/Ø9.6mm
- For optional clip-on brackets, refer to 633xx in "Mounting kits and accessories" section. Not 3832-0030SC/HDSC
- Vertical (side) mounting only
- Drawer width should not exceed slide length
- DW3832SC – Load rating up to 45kg
- Not for lateral file drawer applications or where the drawer is wider than it is deep
- Load ratings quoted are the maximum for a pair of side mounted slides installed 450mm apart, unless otherwise stated. For more information, refer to "How to select a slide" section

Hinweise:

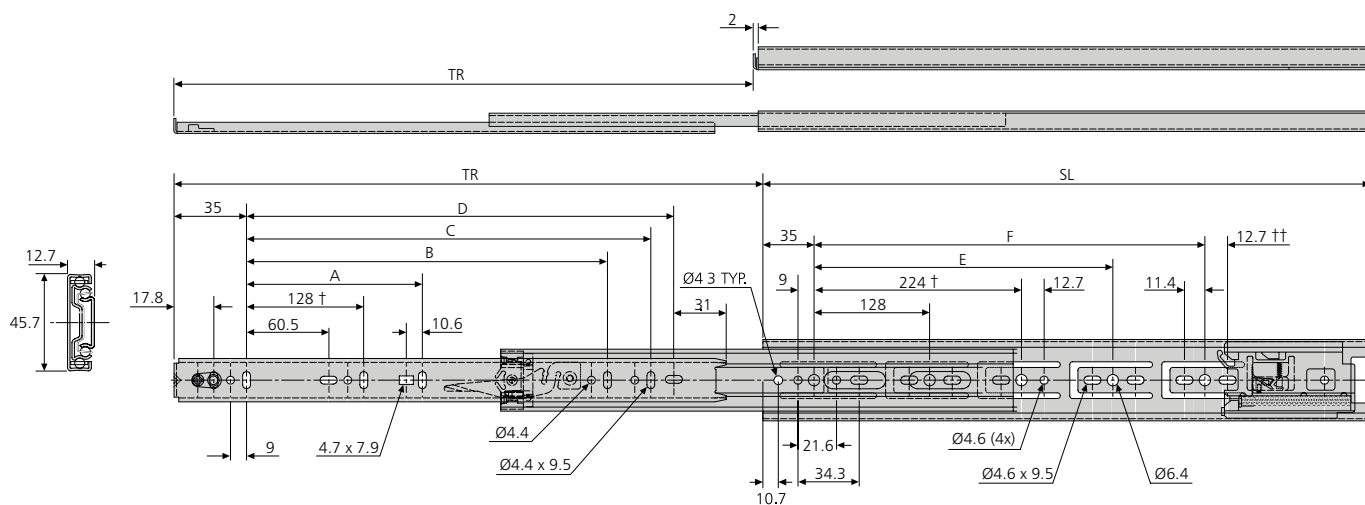
- Empfohlene Befestigung: Schraube M4/ Holzschraube 4mm/Euro-Schraube 6mm
- Max. Kopfhöhe 2,5mm/Ø9,6mm
- Optionale Aufsteckwinkel siehe 633xx in Abschnitt 'Montage-Kits und Zubehör'. Nicht für 3832-0030SC/HDSC
- Nur Vertikalmontage
- Schubbreite sollte nicht grosser als die Schienenlänge sein
- DW3832SC – Lastwert bis 45kg
- Nicht für Aktenauszüge oder wo der Schub breiter als seine Tiefe ist
- Falls nicht anders angegeben, sind die genannten Tragkräfte die maximal erreichbaren, bei einem Paar seitlich montierten Führungen mit 450mm Schienenabstand. Weitere Information siehe Abschnitt 'Schienen-Auswahl'

- Touch release – push drawer front to open or close
- Opens drawers approximately 50-125mm from the closed position
- Activation force:
 3832TR = 22 N
 3832HDTR = 35 N
- Load rating up to 45kg per pair
- Stay-closed feature
- Heavy duty stay-closed option 3832HDTR
- 100% extension
- 12.7mm slide thickness
- Front disconnect
- Hold-in
- Cam drawer adjust (3.2mm)
- Not suitable for flat mounting
- Temperature -20°C to +70°C
- DZ - 12 hours salt spray test
- DB - 96 hours salt spray test

- Touch release – auf die Schublade drücken zum Öffnen oder Schliessen
- Schubladen werden um ca. 50mm-125mm aus der geschlossenen Position ausgezogen
- Aktivierungskraft:
 3832TR = 22 N
 3832HDTR = 35 N
- Lastwert bis 45kg pro paar
- Schliessfunktion
- Optionale stärkere Schliessfunktion 3832HDTR
- Vollauszug
- 12,7mm Schienendicke
- Frontschnelltrennung
- Rastung in geschlossener Position
- Einstellnocken für Schublade (3,2mm)
- Nicht für Flachmontage geeignet
- Temperatur -20°C bis +70°C
- DZ - 12 Stunden Salzsprühtest
- DB - 96 Stunden Salzsprühtest

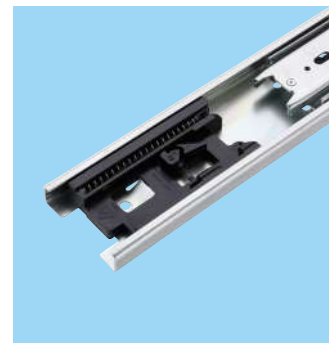


80,000



† Hole not available for 3832-0030TR/HDTR
 Montageloch nicht bei 3832-0030TR/HDTR

†† Hole not available for 3832-0040/50/60TR/HDTR
 Montageloch nicht bei 3832-0040/50/60TR/HDTR



3832TR/ 3832HDTR	mm								kg	
	SL	TR	A	B	C	D	E	F	W	L
*3832-0030TR	300	305	-	-	-	192	-	-	0.83	42
DZ3832-0030HDTR	300	305	-	-	-	192	-	-	0.83	42
*3832-0035TR	350	356	-	-	-	242	-	-	0.98	43
DZ3832-0035HDTR	350	356	-	-	-	242	-	-	0.98	43
*3832-0040TR	400	406	-	-	-	292	288	-	1.13	44
DZ3832-0040HDTR	400	406	-	-	-	292	288	-	1.13	44
*3832-0045TR	450	457	-	320	-	342	320	-	1.31	45
DZ3832-0045HDTR	450	457	-	320	-	342	320	-	1.31	45
*3832-0050TR	500	508	-	320	-	392	384	-	1.47	45
DZ3832-0050HDTR	500	508	-	320	-	392	384	-	1.47	45
*3832-0055TR	550	559	224	416	-	442	416	-	1.62	45
DZ3832-0055HDTR	550	559	224	416	-	442	416	-	1.62	45
*3832-0060TR	600	610	224	416	-	492	352	480	1.75	45
DZ3832-0060HDTR	600	610	224	416	-	492	352	480	1.75	45
*3832-0065TR	650	660	224	416	512	542	352	512	1.89	44
DZ3832-0065HDTR	650	660	224	416	512	542	352	512	1.89	44
*3832-0070TR	700	711	224	416	512	592	352	544	2.06	43
DZ3832-0070HDTR	700	711	224	416	512	592	352	544	2.06	43

* 3832TR only prefix DZ for bright zinc plate, DB for black zinc plate, DW for white electro-plate
 Nur bei 3832TR, Präfix DZ für helle Oberfläche, DB für schwarze Oberfläche, DW für weiße Oberfläche

Notes:

- Fixing recommendation: M4 screw/4mm wood screw/6mm Euro screw
- Max. head. ht. 2.5mm/Ø9.6mm
- Use for side (vertical) mount only
- Drawer width should not exceed slide length
- Not for lateral file drawer applications or where the drawer is wider than it is deep
- Load ratings quoted are the maximum for a pair of side mounted slides installed 450mm apart, unless otherwise stated. For more information, refer to "How to select a slide" section

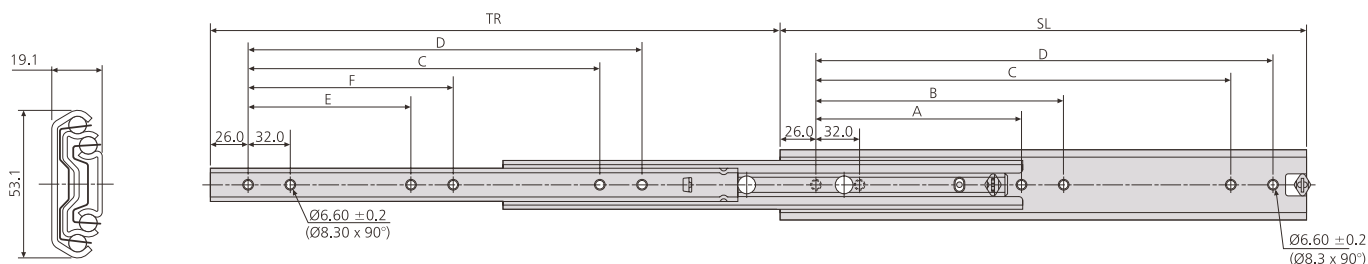
Hinweise:

- Empfohlene Befestigung: Schraube M4/ Holzschraube 4mm /Euro-Schraube 6mm
- Max. Kopfhöhe 2,5mm/Ø9,6mm
- Nur für seitliche Montage geeignet
- Schubbreite sollte nicht grösser als die Schienenlänge sein
- Nicht für Aktenauszüge oder wo der Schub breiter als seine Tiefe ist
- Falls nicht anders angegeben, sind die genannten Tragkräfte die maximal erreichbaren, bei einem Paar seitlich montierten Führungen mit 450mm Schienenabstand. Weitere Information siehe Abschnitt 'Schienen-Auswahl'

- Aluminium
- Load rating up to 50kg per pair
- 100%+ extension
- 19.1mm slide thickness
- Stainless steel ball retainer and ball bearings
- Hold-in
- Not suitable for flat mounting
- Temperature -20°C to +70°C



- Aluminium
- Lastwert bis 50kg pro paar
- Überauszug
- 19,1mm Schienendicke
- Kugelkäfige und Kugeln aus Edelstahl
- Rastung in geschlossener Position
- Nicht für Flachmontage geeignet
- Temperatur -20°C bis +70°C



DA5321	mm								kg	
	SL	TR	A	B	C	D	E	F	W	L
DA5321-0030	300	323.5	-	-	192	224	-	-	0.72	40
DA5321-0035	350	373.5	-	-	224	256	-	-	0.86	43
DA5321-0040	400	423.5	160	192	288	320	128	160	0.98	45
DA5321-0045	450	473.5	160	192	320	352	128	160	1.11	48
DA5321-0050	500	523.5	192	224	384	416	160	192	1.24	50
DA5321-0055	550	573.5	192	224	416	448	160	192	1.37	50
DA5321-0060	600	623.5	256	288	480	512	192	256	1.50	50
DA5321-0065	650	673.5	256	288	544	576	192	256	1.62	50
DA5321-0070	700	723.5	288	320	576	608	256	288	1.76	50
DA5321-0080	790	803.5	352	384	672	704	320	352	2.00	40

Notes:

- Fixing recommendation: M5 countersunk/ 6mm countersunk Euro screw
- Vertical (side) mounting only
- For bracket accessory kit see DS63610
- Load ratings quoted are the maximum for a pair of side mounted slides installed 450mm apart, unless otherwise stated. For more information, refer to "How to select a slide" section

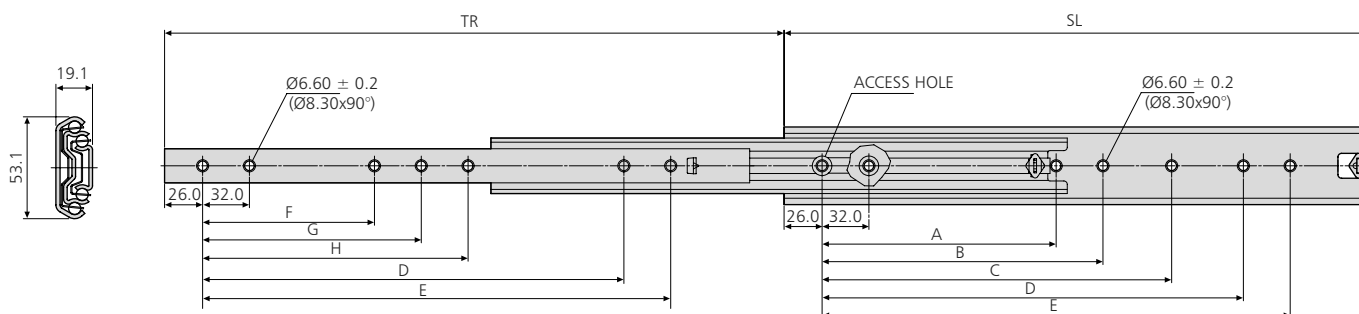
Hinweise:

- Empfohlene Befestigung: M5 Senkkopfschraube/ Euro-Senkkopfschraube 6mm
- Nur Vertikalmontage
- Winkelzubehörsatz siehe DS63610
- Falls nicht anders angegeben, sind die genannten Tragkräfte die maximal erreichbaren, bei einem Paar seitlich montierten Führungen mit 450mm Schienenabstand. Weitere Information siehe Abschnitt „Schienen-Auswahl“

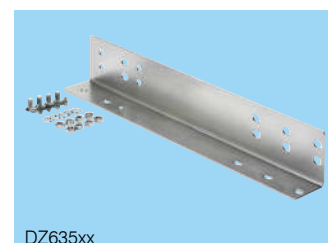
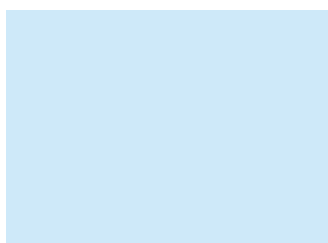
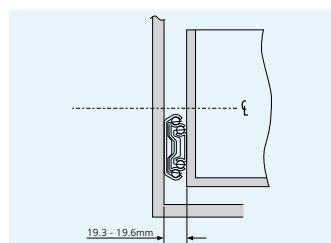
- Load rating up to 140/160kg per pair
- 100%+ extension
- 19.1mm slide thickness
- Hold-in
- Optional bracket accessory kits for various mounting options
- Optional enclosure mounting brackets
- Not suitable for flat mounting
- Temperature -20°C to +70°C
- DZ - 12 hours salt spray test

Notes:

- Fixing recommendation: M5 countersunk/ 6mm countersunk Euro screw
- Vertical (side) mounting only
- For bracket accessory kit see 635xx
- For enclosure mounting brackets see DZ65490-4
- Load ratings quoted are the maximum for a pair of side mounted slides installed 450mm apart, unless otherwise stated. For more information, refer to "How to select a slide" section



5321	mm										kg		
	SL	TR	A	B	C	D	E	F	G	H	W	L 10,000	L 80,000
DZ5321-0030	300	323.5	-	-	-	192	224	-	-	-	1.73	130	120
DZ5321-0035	350	373.5	-	-	-	224	256	-	-	-	2.04	140	120
DZ5321-0040	400	423.5	-	160	192	288	320	128	160	-	2.34	150	130
DZ5321-0045	450	473.5	-	160	192	320	352	128	160	-	2.64	160	140
DZ5321-0050	500	523.5	-	192	224	384	416	160	192	-	2.94	160	140
DZ5321-0055	550	573.5	-	192	224	416	448	160	192	-	3.25	160	140
DZ5321-0060	600	623.5	-	256	288	480	512	192	256	-	3.55	150	120
DZ5321-0070-A	700	723.5	288	320	544	576	608	256	288	544	4.16	130	110
DZ5321-0080-A	790	803.5	-	352	384	672	704	320	352	384	4.72	100	100
DZ5321-0090-A	900	923.5	-	448	480	768	800	352	384	416	5.33	90	80
DZ5321-0100-A	1000	1023.5	448	480	512	864	896	448	480	-	5.87	80	70
DZ5321-0110-A	1100	1123.5	448	544	576	992	1024	448	480	512	6.39	70	60



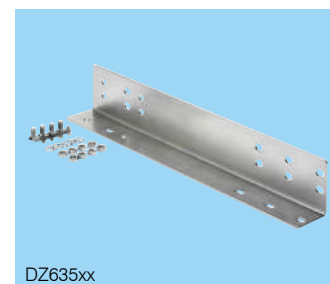
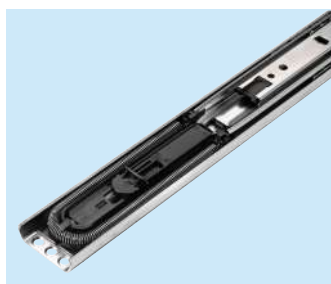
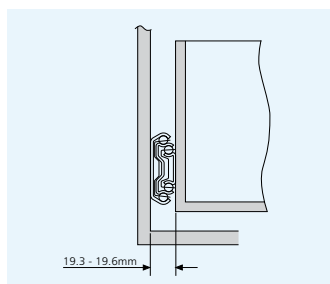
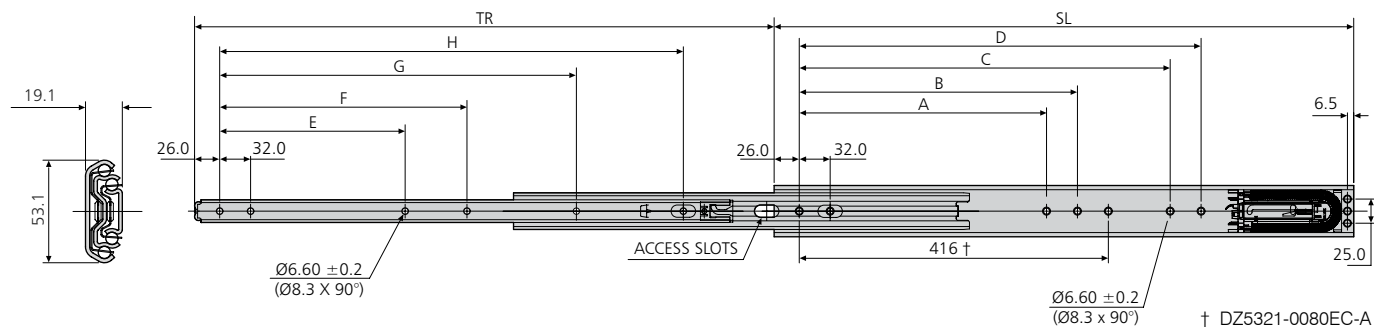
- Soft close
- Load rating up to 100kg per pair
- 100% extension
- 19.1mm slide thickness
- Suitable for drawers up to 1000mm wide
- Opening pull force 25 N ± 5 N
- Soft close on last 45mm of closing cycle
- Optional bracket accessory kits for various mounting options
- Not suitable for flat mounting
- Temperature +10°C to +40°C
- DZ - 12 hours salt spray test

Notes:

- Fixing recommendation: M5 countersunk/6mm countersunk Euro screw
- Vertical (side) mounting only
- We recommend that a centrally positioned pull handle is used on wide drawers
- For bracket accessory kit see 635xx
- Operating range 10°-40°C



80,000



5321EC	mm										kg		
	SL	TR	A	B	C	D	E	F	G	H	W	L (450mm*)	L (1000mm*)
DZ5321-0040EC	400	388	160	192	-	-	128	160	-	288	1.99	65	55
DZ5321-0045EC-A	450	450	160	192	256	-	128	160	-	320	2.27	65	55
DZ5321-0050EC	500	500	192	224	-	-	160	192	-	384	2.57	70	60
DZ5321-0055EC	550	550	192	224	320	352	160	192	-	416	2.87	85	72
DZ5321-0060EC	600	600	256	288	384	416	192	256	-	480	3.18	100	85
DZ5321-0070EC-A	700	700	288	320	448	480	256	288	512	576	3.79	100	85
DZ5321-0080EC-A	800	800	352	384	576	608	320	352	416	672	4.42	90	75
DZ5321-0090EC-A	900	900	320	352	544	672	320	448	736	768	4.96	85	70
DZ5321-0100EC-A	1000	1000	352	384	640	768	352	384	704	736	5.56	80	65
DZ5321-0110EC-A	1100	1100	416	448	768	800	416	448	544	960	6.18	75	60

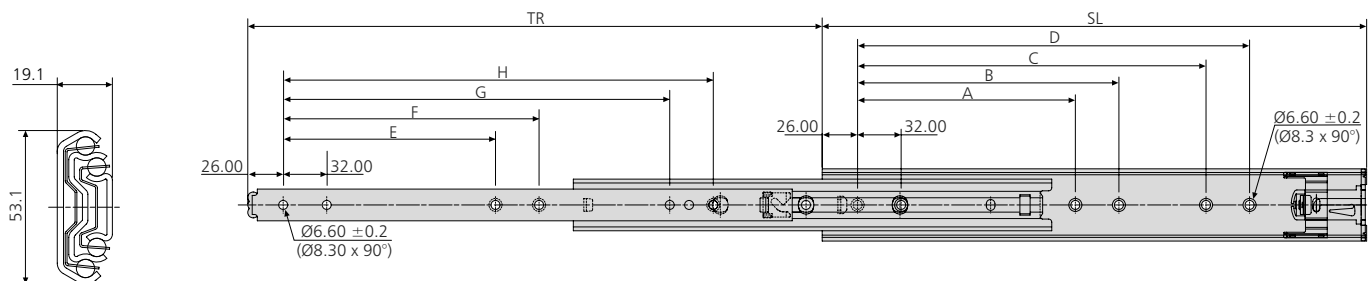
* Drawer width / Largeur de tiroir / Schubladenbreite

- Self close
- Load rating up to 120kg per pair
- 100%+ extension
- 19.1mm slide thickness
- Hold-in
- Optional enclosure mounting brackets
- Not suitable for flat mounting
- Temperature -20°C to +70°C
- DZ - 12 hours salt spray test

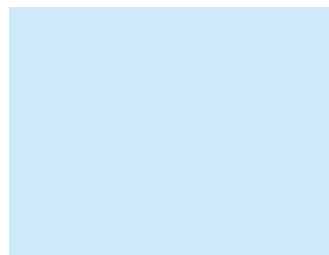
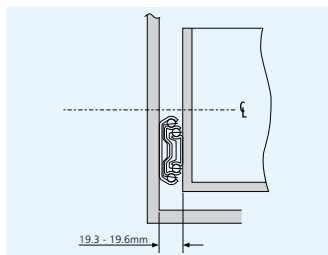
- Selbsteinzug
- Lastwert bis 120kg pro paar
- Überauszug
- 19,1mm Schienendicke
- Einhalterung – in geschlossener Position
- Optionale Gehäuse-Montagewinkel
- Nicht für Flachmontage geeignet
- Temperatur -20°C bis +70°C
- DZ - 12 Stunden Salzsprühtest



10,000



5321SC	mm										kg	
	SL	TR	A	B	C	D	E	F	G	H	W	L
DZ5321-0030SC	300	319	-	-	160	192	-	-	192	224	1.64	85
DZ5321-0035SC	350	369	-	-	224	256	-	-	224	256	1.96	90
DZ5321-0040SC	400	419	160	192	256	288	160	192	288	320	2.25	100
DZ5321-0045SC	450	469	192	224	320	352	192	224	352	384	2.57	110
DZ5321-0050SC	500	519	224	256	352	384	224	256	384	416	2.87	120
DZ5321-0055SC	550	569	224	256	416	448	224	256	448	480	3.17	110
DZ5321-0060SC	600	619	256	288	480	512	256	288	480	512	3.48	100
DZ5321-0070SC	700	719	320	352	544	576	320	352	576	608	4.10	70
DZ5321-0080SC	790	823	352	384	640	672	352	384	672	704	4.64	50



Notes:

- Fixing recommendation: M5 countersunk/ 6mm countersunk Euro screw
- Vertical (side) mounting only
- For enclosure mounting brackets see DZ65490-4
- Load ratings quoted are the maximum for a pair of side mounted slides installed 450mm apart, unless otherwise stated. For more information, refer to "How to select a slide" section

Hinweise:

- Empfohlene Befestigung: M5 Senkkopfschraube/ Euro-Senkkopfschraube 6mm
- Nur Vertikalmontage
- Für Gehäusemontagewinkel siehe DZ65490-4
- Falls nicht anders angegeben, sind die genannten Tragkräfte die maximal erreichbaren, bei einem Paar seitlich montierten Führungen mit 450mm Schienenabstand. Weitere Information siehe Abschnitt „Schienen-Auswahl“

- High grade stainless steel
- Load rating up to 120kg per pair
- 100%+ extension
- 20.7mm slide thickness
- Ideal for environments where mild steel might be subject to corrosion
- Hold-in
- Includes easy mount brackets with locator pins
- Not suitable for flat mounting
- Temperature -20°C to +70°C

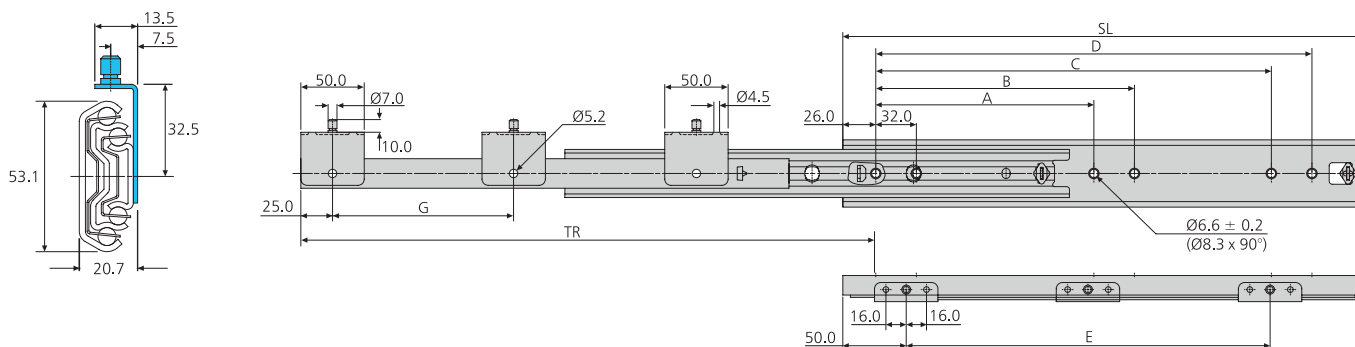
80,000

Notes:

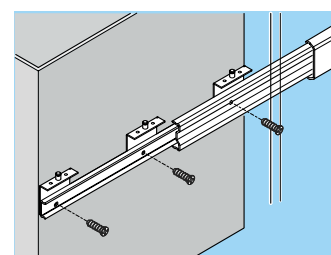
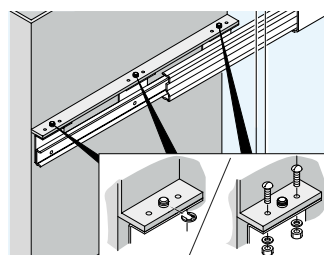
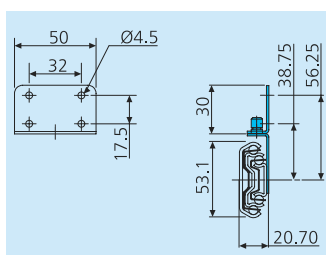
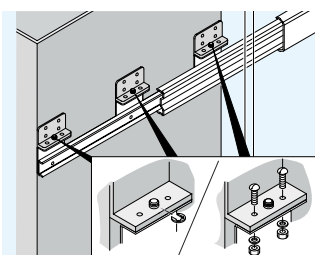
- Fixing recommendation: M5 countersunk/ 6mm countersunk Euro screw
- Vertical (side) mounting only
- Load ratings quoted are the maximum for a pair of side mounted slides installed 450mm apart, unless otherwise stated. For more information, refer to "How to select a slide" section



Stainless steel
 Edelstahl



DS5322	mm								kg	
	SL	TR	A	B	C	D	E	G	W	L
DS5322-0030-2	300	342	-	-	192	224	177	-	1.83	80
DS5322-0035-2	350	392	-	-	256	288	227	-	2.15	90
DS5322-0040-2	400	442	160	192	288	320	277	-	2.45	100
DS5322-0045-2	450	492	192	224	352	384	327	-	2.74	110
DS5322-0050-2	500	542	192	224	384	416	377	-	3.04	120
DS5322-0055-2	550	592	224	256	448	480	427	-	3.33	110
DS5322-0060-2	600	642	256	288	480	512	477	238.5	3.74	100
DS5322-0070-2	700	742	320	352	608	640	577	288.5	4.37	70
DS5322-0080-2	790	822	352	384	672	704	677	338.5	4.92	50



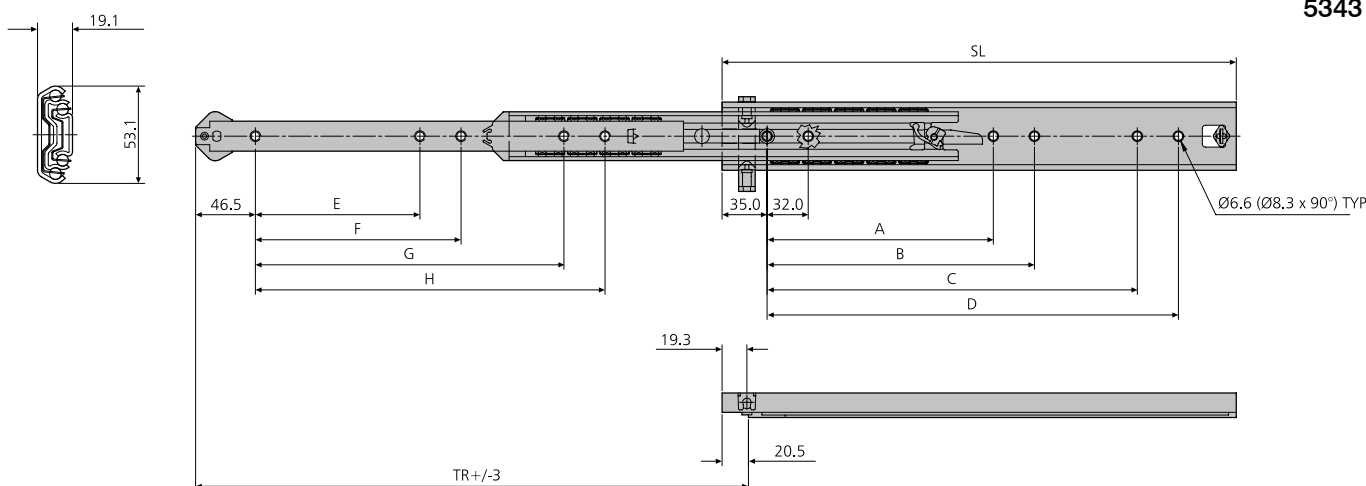
- Interlock slide (anti-tilt) with locking option
- Load rating up to 100kg per pair
- 100% extension
- 19.1mm slide thickness
- Slides sold singly
- Can be used on both sides of drawer or with companion slide 5344
- Suitable for drawers up to 1000mm wide
- Hold-in
- Not suitable for flat mounting
- Temperature -20°C to +70°C
- DZ - 12 hours salt spray test

- Kippsicherung mit Optionale Verschluss Bausatz
- Lastwert bis 100kg pro paar
- Vollauszug
- 19,1mm Schienendicke
- Schienen einzeln erhältlich
- Kann auf beiden Seiten der Schublade oder mit Begleitschiene 5344 verwendet werden
- Passend für Schubladenbreiten bis 1000mm
- Rastung in geschlossener Position
- Nicht für Flachmontage geeignet
- Temperatur -20°C bis +70°C
- DZ - 12 Stunden Salzsprühtest

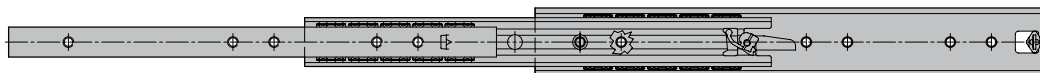


80,000

5343



5344



5343	mm										kg			
	SL	TR	A	B	C	D	E	F	G	H	5343 W	5344 W	L (<800mm*)	L (<1000mm*)
DZ5343-0035-1	350.0	355.0	-	-	224.0	256.0	-	96.0	-	256.0	1.00	0.95	85	75
DZ5343-0040-1	400.0	430.0	-	192.0	288.0	320.0	128.0	160.0	-	320.0	1.14	1.09	90	80
DZ5343-0045-1	450.0	480.0	-	224.0	320.0	352.0	160.0	192.0	288.0	320.0	1.28	1.25	95	85
DZ5343-0050-1	500.0	530.0	224.0	256.0	384.0	416.0	192.0	224.0	352.0	384.0	1.44	1.40	100	90
DZ5343-0055-1	550.0	580.0	256.0	288.0	416.0	448.0	192.0	224.0	384.0	416.0	1.59	1.55	95	85
DZ5343-0060-1	600.0	630.0	288.0	320.0	480.0	512.0	224.0	256.0	448.0	480.0	1.74	1.70	85	75
DZ5343-0065-1	650.0	680.0	320.0	352.0	544.0	576.0	256.0	288.0	480.0	512.0	1.90	1.86	80	70
DZ5343-0070-1	700.0	730.0	352.0	384.0	576.0	608.0	288.0	320.0	544.0	576.0	2.05	2.01	70	60

* Drawer width / Largeur de tiroir / Schubladenbreite

Kit includes:

1 x interlock slide
 1 x 6mm Ø rod x 300mm. Cut rod to suit required pitch

Optional companion slide:

Order code: DZ5344-00xx (1 x slide)

Optional lock kit:

Order code: DB65050-1

Bausatz besteht aus:

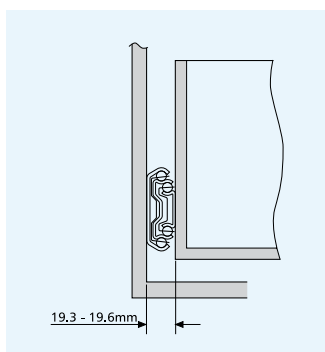
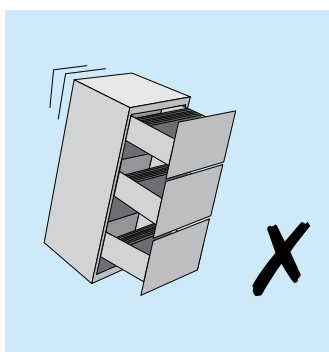
1 x Schiene mit Kippsicherung
 1 x 6mm Stange Ø 300mm. Stange bei geringerem Abstand zuschneiden

Optionale Begleitschiene:

Bestellnummer: DZ5344-00xx (1 x Schiene)

Optionaler Verschluss Bausatz:

Bestellnummer: DB65050-1

**Notes:**

- Fixing recommendation: 4mm countersunk woodscrew/6mm Euro screw
- We recommend that 2 x interlock slides (5343) are used on drawers 800-1000mm wide. For smaller drawers, use 5344 as a companion slide
- Vertical (side) mounting only

Hinweise:

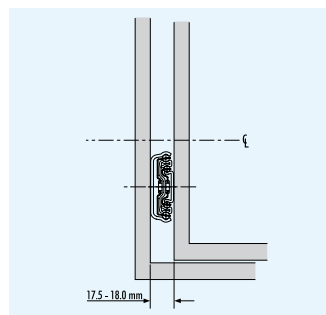
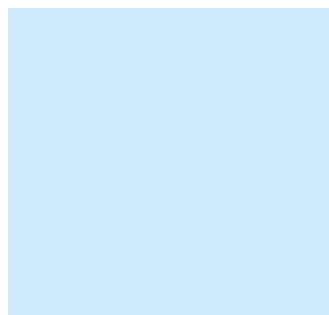
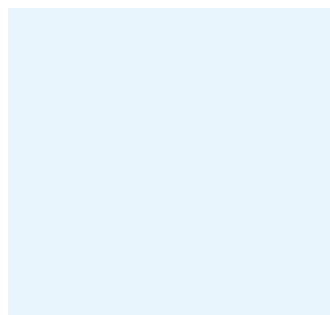
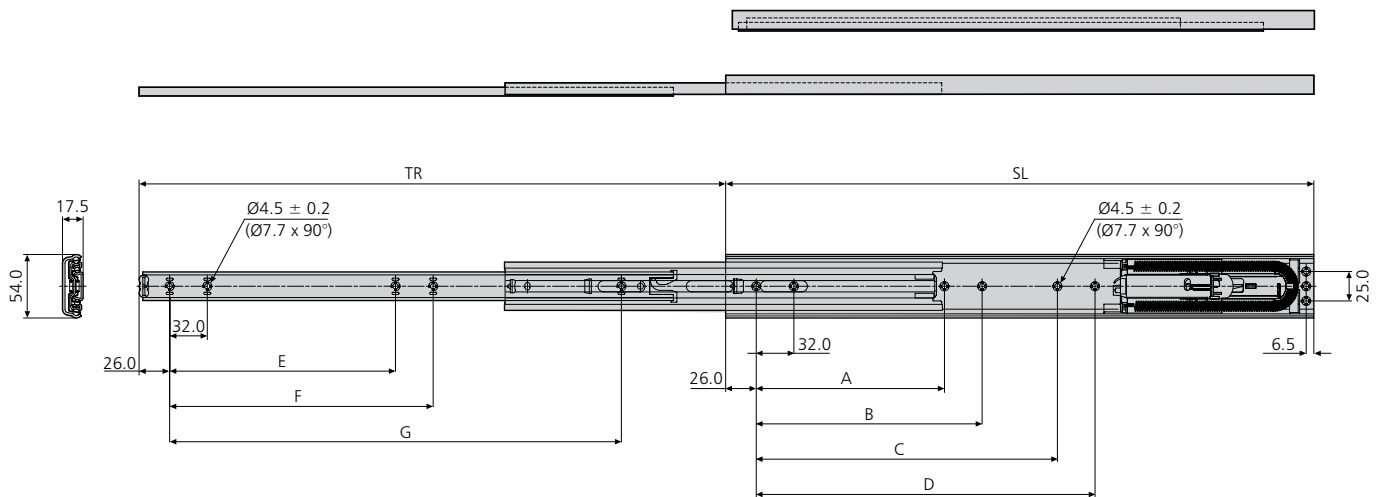
- Empfohlene Befestigung: Senkholzschraube 4mm/Euro-Schraube 6mm
- Wir empfehlen, bei 800mm-1000mm breiten Schubladen 2 Schienen mit Kippsicherung (5343) zu verwenden. Bei kleineren Schubladen wird 5344 als Begleitschiene verwendet
- Nur Vertikalmontage

- Soft-close
- Load rating up to 55kg per pair
- 100% extension
- 17.5mm slide thickness
- Opening pull force 25 N ± 5 N
- Soft-close on the last 45mm of closing cycle
- Not suitable for flat mounting
- Temperature +10°C to +40°C
- DZ - 12 hours salt spray test

80,000

Notes:

- Fixing recommendation: 4mm woodscrew / M4 countersunk screw
- Vertical (side) mounting only
- Operating range 10° – 40°C
- Load ratings quoted are the maximum for a pair of side mounted slides, mounted 450mm apart, unless otherwise stated. For more information, refer to "How to select a slide" section



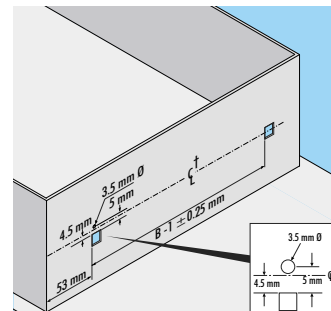
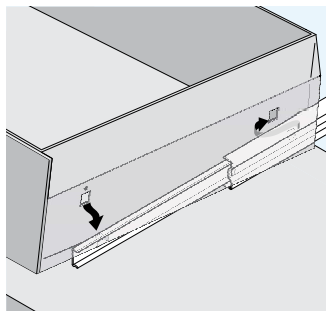
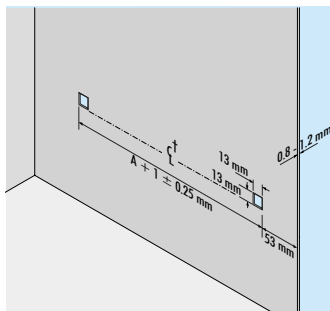
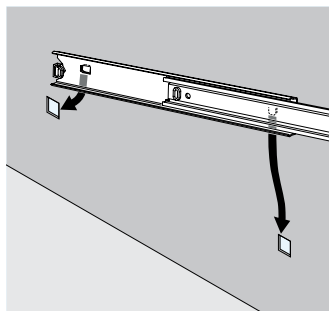
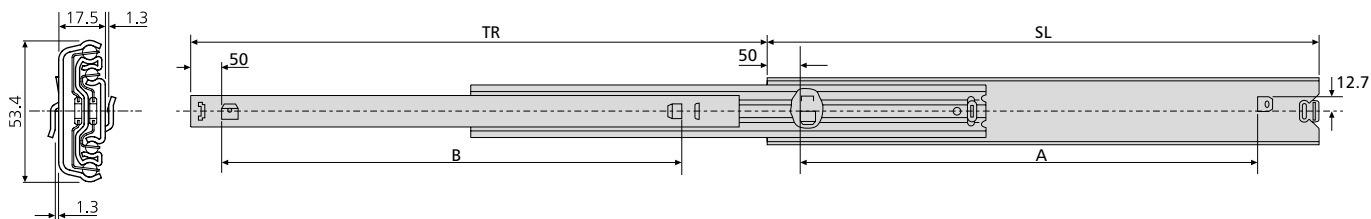
5417EC	mm									kg	
	SL	TR ± 3	A	B	C	D	E	F	G	W	L
DZ5417-0040EC	400	400.2	160	192	-	-	128	160	288	2.22	45
DZ5417-0045EC	450	449.4	192	224	-	-	160	192	320	2.53	45
DZ5417-0050EC	500	498.6	160	192	256	288	192	224	384	2.81	50
DZ5417-0055EC	550	547.8	192	224	288	320	192	224	416	3.12	50
DZ5417-0060EC	600	597.0	224	256	352	384	224	256	480	3.41	50
DZ5417-0070EC	700	695.4	288	320	448	480	256	288	576	4.00	55

- Load rating up to 55kg per pair
- 100%+ extension
- 17.5mm slide thickness
- Bayonet mounting
- Hold-in
- Not suitable for flat mounting
- Temperature -20°C to +70°C
- DZ - 12 hours salt spray test

- Lastwert bis 55kg pro paar
- Überauszug
- 17,5mm Schienendicke
- Bajonettmontage
- Rastung in geschlossener Position
- Nicht für Flachmontage geeignet
- Temperatur -20°C bis +70°C
- DZ - 12 Stunden Salzsprühtest



80,000



5517-50	mm				kg	
	SL	TR	A	B	W	L
DZ5517-5035	350	374	250	250	1.79	51
DZ5517-5040	400	424	300	300	2.07	53
DZ5517-5045	450	473	350	350	2.33	55
DZ5517-5050	500	522	400	400	2.61	55
DZ5517-5055	550	571	450	450	2.89	55
DZ5517-5060	600	620	500	500	3.16	53
DZ5517-5070	700	731	600	600	3.69	50

Notes:

- Bayonet mounting for metal cabinets and chassis walls of between 0.8-1.2mm thickness
- Vertical (side) mounting only
- Load ratings quoted are the maximum for a pair of side mounted slides installed 450mm apart, unless otherwise stated. For more information, refer to "How to select a slide" section

Hinweise:

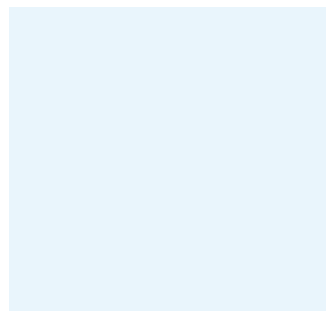
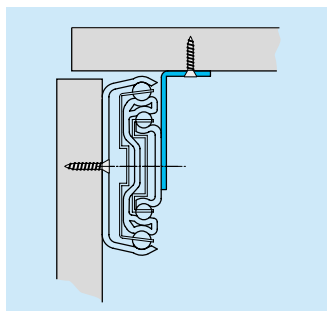
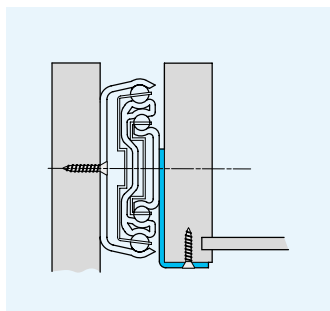
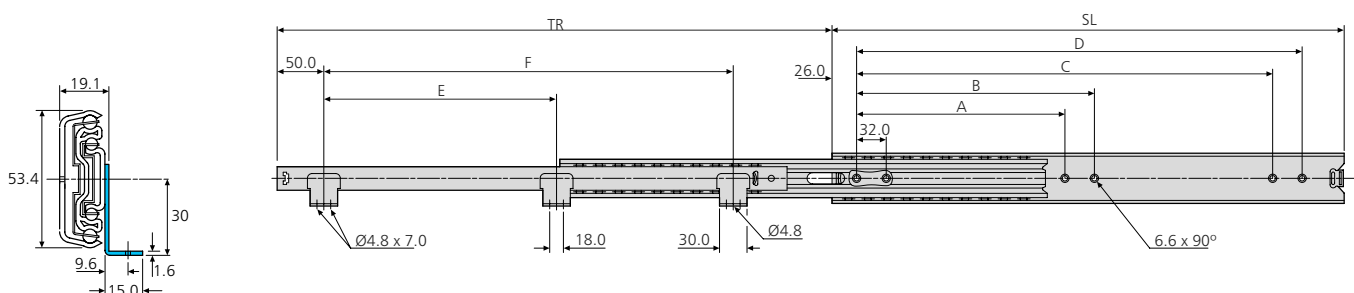
- Bajonettmontage für Metallschränke und Chassiswände mit 0,8mm-1,2mm Dicke
- Nur Vertikalmontage
- Falls nicht anders angegeben, sind die genannten Tragkräfte die maximal erreichbaren, bei einem Paar seitlich montierten Führungen mit 450mm Schienenabstand. Weitere Information siehe Abschnitt „Schienen-Auswahl“

- Load rating up to 60kg per pair
- 100%+ extension
- 19mm slide thickness
- Brackets on drawer member for bottom mounting
- Hold-in
- Not suitable for flat mounting
- Temperature -20°C to +70°C
- DZ - 12 hours salt spray test

- Lastwert bis 60kg pro paar
- Überauszug
- 19mm Schienendicke
- Winkel an Schiene zur Bodenmontage
- Rastung in geschlossener Position
- Nicht für Flachmontage geeignet
- Temperatur -20°C bis +70°C
- DZ - 12 Stunden Salzsprühtest



80,000



5517-60	mm								kg	
	SL	TR	A	B	C	D	E	F	W	L
DZ5517-6030	300	325.0	-	-	224	256	-	190	1.57	55
DZ5517-6035	350	374.2	-	-	224	256	-	240	1.85	57
DZ5517-6040	400	436.1	160	192	320	352	-	290	2.11	59
DZ5517-6045	450	498.0	160	192	320	352	-	340	2.38	60
DZ5517-6050	500	547.2	192	224	416	448	-	390	2.65	60
DZ5517-6055	550	596.4	-	224	448	480	250	440	2.96	60
DZ5517-6060	600	658.3	256	288	480	512	250	490	3.20	60
DZ5517-6065	650	707.5	256	288	544	576	250	540	3.49	58
DZ5517-6070	700	769.4	288	416	576	608	250	590	3.75	55

Notes:

- Fixing recommendation: 4mm wood screw/ 6mm Euro screw
- Vertical (side) mounting only
- For more information, refer to "How to select a slide" section

Hinweise:

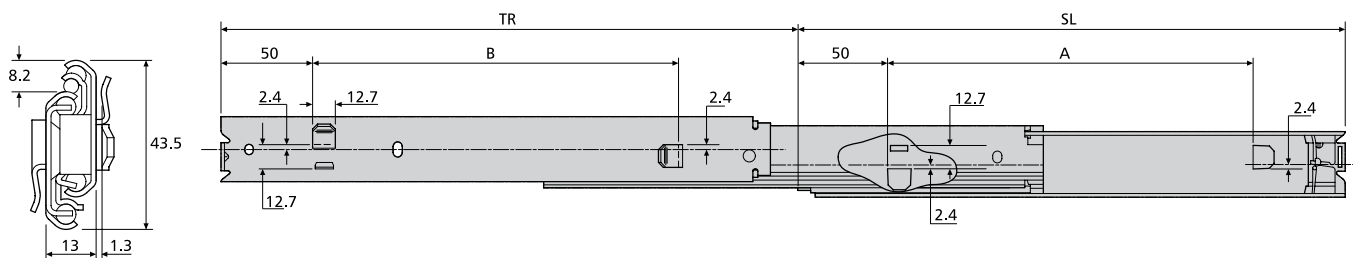
- Empfohlene Befestigung: Holzschraube 4mm/ Euro-Schraube 6mm
- Nur Vertikalmontage
- Weitere Information siehe Abschnitt 'Schiene-Auswahl'

- Self-close (lengths 500-700mm)
- Load rating up to 45kg per pair
- 100%+ extension
- 13mm slide thickness
- Hold-in
- Bayonet mounting
- Not suitable for flat mounting
- Temperature -20°C to +70°C
- DZ - 12 hours salt spray test

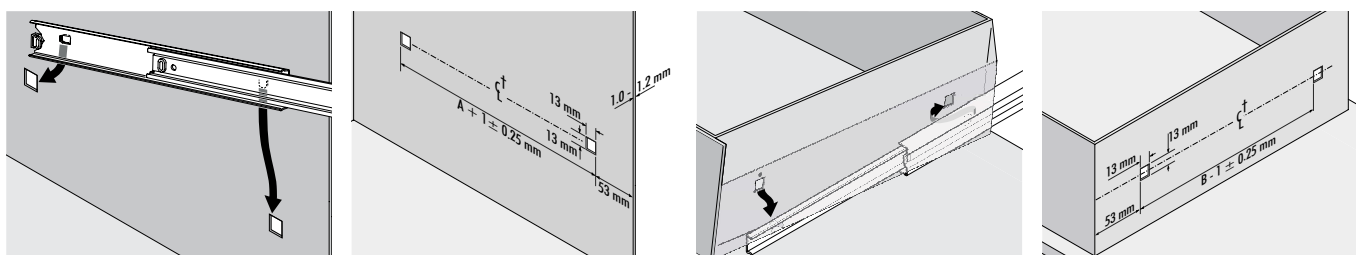
80,000

Notes:

- Self-close is only available on lengths 500-700mm
- Bayonet mounting for metal cabinets and chassis walls of between 1.0-1.2mm thickness
- Vertical (side) mounting only
- Load ratings quoted are the maximum for a pair of side mounted slides installed 450mm apart, unless otherwise stated. For more information, refer to "How to select a slide" section



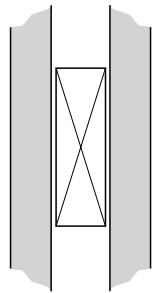
7400-50	mm				kg	
	SL	TR	A	B	W	L
DZ7400-5030-2	300	314	200	200	1.01	40
DZ7400-5035-2	350	364	250	250	1.18	41
DZ7400-5040-2	400	414	300	300	1.36	42
DZ7400-5045-2	450	464	350	350	1.53	45
DZ7400-5050SC-2	500	512.5	325	325	1.59	45
DZ7400-5055SC-2	550	562.5	375	375	1.85	43
DZ7400-5060SC-2	600	612.5	425	425	1.93	41
DZ7400-5065SC-2	650	662.5	475	475	2.20	39
DZ7400-5070SC-2	700	712.5	525	525	2.29	38



There are five stages in the selection of the most appropriate slide for your application.

1. Load rating

- Load ratings quoted are the maximum for a pair of side mounted slides installed 450mm apart, unless otherwise stated
- Load ratings will change according to the length of the slide. See individual datasheets for details
- In general, wider drawers require a slide with a higher load rating and a cross section designed to withstand lateral stress. Our technical department will be pleased to advise you
- See individual datasheets for details of cycle rates used for testing
- The measurements are taken between and at the midpoint of the drawer member and are given in kg
- Load ratings quoted are dynamic. Accuride® slides have a 100% static safety factor in the extended position
- Horizontally (flat) mounting the slides reduces the load capacity to at least 25% of the vertical (side) mount capacity. Not all slide models can be used in flat mount applications

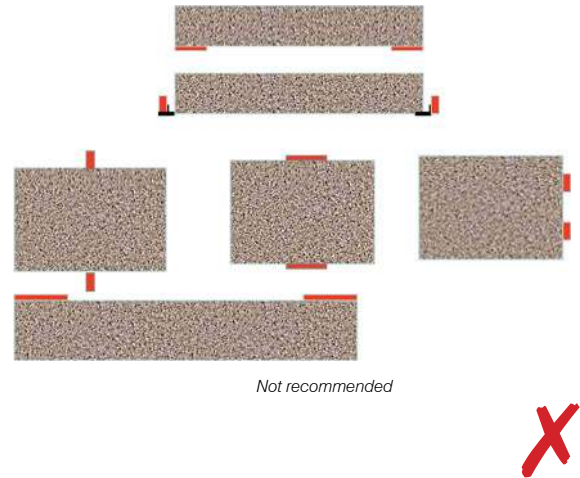
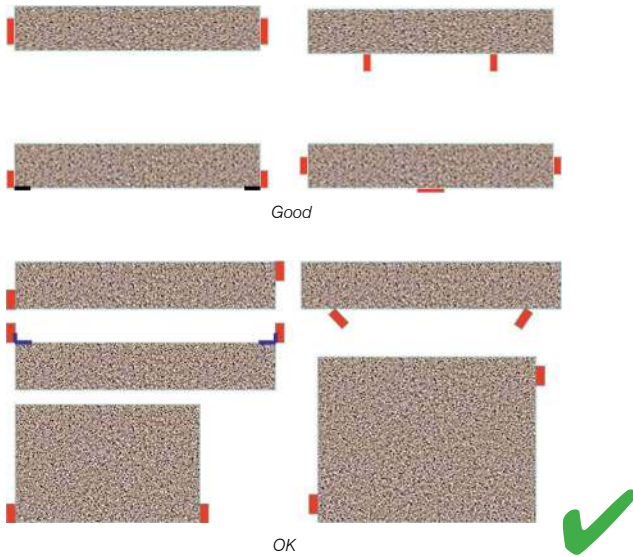


Vertically mounted = 100% quoted load rating

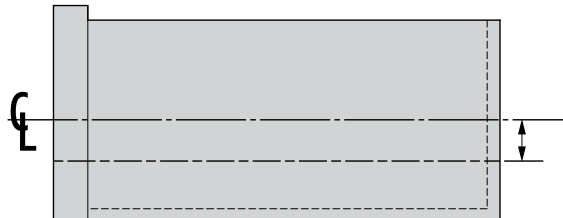


Horizontally mounted = 25% quoted load rating

- Deflection of flat mounted slides will vary depending upon the application. We recommend prototyping to determine that the deflection is within an acceptable range
- We advise clients to test slides in the intended application
- All fixing positions should be used to achieve maximum load rating
- Appropriate fixing materials must be used
- Mounting slides in different configurations will affect performance and load rating. See the illustrations below



- Recommended drawer slide position for maximum stability



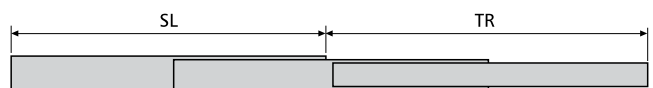
2. Extension or travel

- 75% extension – drawer opens approximately 75% of the total length of the slide
- 100% extension – drawer opens the same amount as the slide length
- 100%+ extension – over-travel is achieved. The drawer opens in excess of the slide length
- Most full (100%) extension slides have nominal over-travel. Please see individual pages for details

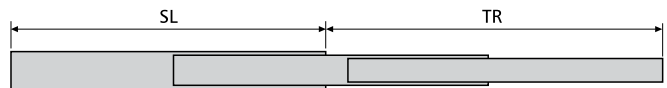
75%



100%



100%+

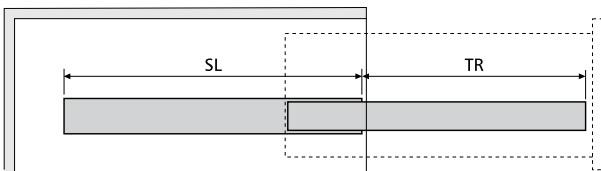


SL = Slide Length TR = Travel

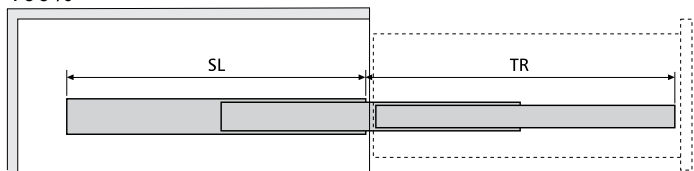
3. Slide length

- Slide length is measured as the longest dimension of a fully closed slide. As a rule, always use the maximum length allowable in the application

75%

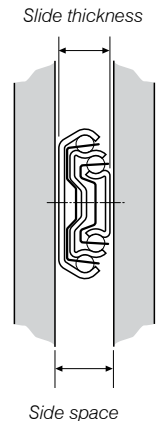


100%



4. Side space

- The amount of space necessary to accommodate the thickness of the slide assembly
- For optimum performance allow between +0.2mm and +0.5mm over the nominal slide thickness, e.g. for a 12.7mm slide, the side space allowance should be between 12.9mm and 13.2mm
- Precision slides cannot absorb large gap deviations between the cabinet and the drawer. The cabinet and drawer must be square and parallel to each other for optimal working of the pair of slides



5. Determine any special features required

- Disconnect allows simple connect/disconnect from the slide assembly
 - Lever** – disconnect is achieved by releasing an internal lever and by pulling the drawer firmly through the resistance of the ball retainer
 - Push latch** – a latch is pressed to release the drawer and disconnect is achieved by pulling the drawer firmly through the resistance of the ball retainer
- Locks hold the slide either closed or open and a lever must be actuated to move the slide
- Hold-in and hold-out (DO) keeps the slide open or closed until extra force is applied
- Self close (SC) slides include a spring attachment designed to close the slide and prevent bounce back
- Dampened soft-close (EC) slows the closing action for a controlled and smooth operation
- Touch release (TR) slides open with pressure to the front of the slide.
- Mounting options, for example, bayonets and brackets
- Cam drawer adjust allows minute adjustment to the drawer front for easy alignment. Standard feature on 2132 and 3832 series slides
- Shock blocks are hardened steel pins that provide an interference fit between the slide members to minimize the amplification of vibration and reduce the damaging effects of shock in the closed position. Available on slide 0522 as standard
- Standard feature suffixes:
 - SC – self close
 - HDSC – heavy duty self close
 - DO – hold out
 - TR – touch release
 - HDTR – heavy duty touch release
 - EC – easy close
 - RC – recirculating balls



- Material/finish (see individual datasheets for exceptions)

Members

- cold rolled mild steel
- cold rolled stainless steel (1.4301 austenitic steel)
- aluminium (6000 series)

Ball retainers

- cold rolled zinc plated
- stainless steel (1.4301 austenitic steel)
- plastic (Nylon 6-6)

Ball bearings

- carbon chrome steel
- stainless steel (1.4034 ferritic steel)
- polymer

Lubricant

- Hi-Lo temperature grease, minimum operating range -20° to +110°C
- The grease used in stainless steel slides is food grade lubricant. This is not harmful to health if applied as directed, has no taste or smell and is suitable for use where contact with food products is unavoidable. In addition, the grease does not include any volatile organic compounds

- Slide ordering prefixes are:

- DZ – electro zinc plate and blue passivate
- DB – electro zinc plate and black passivate
- DW – white
- DH – corrosion resistant (up to 96 hours)
- DS – stainless steel
- DA – aluminium
- DP – corrosion resistant (up to 500 hours)
- DFG – friction guides

Accuride slides are designed for indoor use and should be protected from excessive moisture, chemical fumes, dirt and corrosion.

Accuride slide material samples are subjected to salt spray testing according to the ASTM B117-07 standard and evaluation per B-633-07a (requirements for electrodeposited zinc coatings).

The following product prefixes denote the level of corrosion resistance according to the tested samples:

DZ – commercial plating: no white rust is allowed on tested parts after 12 hours of exposure in the salt spray tester

DH – higher resistant plating: less than 5% white rust is allowed over tested parts after 96 hours of exposure in the salt spray tester

DB – commercial black plating: no white rust is allowed over tested parts after 96 hours of exposure in the salt spray tester

DP – passivate high resistance plating: less than 5% white rust is allowed over tested parts after 500 hours of exposure in the salt spray tester

The Accuride self-cleaning ball retainer protects slide raceways by removing foreign particles between ball bearings and the lubricant provided is sufficient for normal slide life. Should you need to clean the slides, you can re-lubricate them with quality grease rated for extreme pressure.

- Accuride slides with plastic or rubber components are designed to be used for extended periods in temperatures between -20° and 70°C
- Accuride slides without plastic or rubber components can be used in temperatures between -20° and 110°C
- Accuride slides with soft-close dampers can be used in temperatures between 10° and 40°C
- Extreme temperatures can affect the lubricant and plastic or rubber components
- The DS3031 slide has been designed to withstand temperatures up to 300°C
- DFG friction slides have been designed to withstand temperatures between -40 and +90°C.

Accuride's slides manufactured in Europe do not contain any of the restricted or prohibited substances referred to in the ELV (End of Life Vehicles) 2000/53/EU and the RoHS (Restriction of Hazardous Substances) 2011/65/E.

Slides produced in Mexico with a date stamp from 05/05 onwards are compliant in bright zinc (DZ) finish. Black (DB) slides produced in Mexico with a date stamp from 06/09 onwards are compliant.