



Information on

- > Matrix Box P drawer side runner system \_\_\_\_\_ 9.5
- > Blum Tandembox drawer side runner system \_\_\_\_\_ 9.38
- > Blum Legrabox drawer side runner system \_\_\_\_\_ 9.72
- > Blum Servo-Drive automatic opening mechanism \_\_\_\_\_ 9.103, 9.108
- > Blum Metabox drawer side runner system \_\_\_\_\_ 9.116
- > Grass Nova drawer side runner system \_\_\_\_\_ 9.117
- > Grass Vionaro drawer side runner system \_\_\_\_\_ 9.132
- > Drawer compartment system \_\_\_\_\_ 9.172
- > Complete drawers \_\_\_\_\_ 9.182
- > Drawer runners, sliding and pull out cabinet runners \_\_\_\_\_ 9.215

**Information**



Application matrix for

- > Sliding and pull out cabinet runners \_\_\_\_\_ 9.199
- > Drawer runners \_\_\_\_\_ 9.213



**Matrix Box P Drawer side runner system**

Sets	Locking system _____	9.30
> Drawer _____	Accessories _____	9.32
> Pull out for door front fixing _____	Drilling jig, depth gauge _____	9.37 B
> Internal drawer _____	Insertion tool _____	9.37 B
> Internal pull out _____		
> Under sink pull-out _____		

**Blum Drawer side runner systems**

Blum Tandembox antaro

- > Blum Tandembox antaro complete sets \_\_\_\_\_ 9.42
- > Drawer and internal drawer \_\_\_\_\_ 9.46
- > Internal pull outs for door front fixing \_\_\_\_\_ 9.51, 9.60, 9.62
- > Under sink cabinet pull outs for door front fixing \_\_\_\_\_ 9.64
- > Accessories and individual components \_\_\_\_\_ 9.66

Blum Legrabox pure/free

- > Blum Legrabox complete sets \_\_\_\_\_ 9.76
- > Drawer and internal drawer \_\_\_\_\_ 9.82
- > Internal pull outs for door front fixing \_\_\_\_\_ 9.90
- > Accessories and individual components \_\_\_\_\_ 9.101

Blum Metabox

- > Single-walled drawer side runners \_\_\_\_\_ 9.113
- > Accessories \_\_\_\_\_ 9.114

Blum electric extension mechanisms

- > Servo-Drive for Tandembox, Legrabox, Tandem, Movento \_\_\_\_\_ 9.104
- > Servo-Drive for Tandembox waste segregation systems \_\_\_\_\_ 9.106
- > Processing aids \_\_\_\_\_ 9.107
- > Servo-Drive flex for refrigerators and dishwashers \_\_\_\_\_ 9.109

Blum Cabloxx Central locking system

- > For drawer side runner systems and wooden drawer \_\_\_\_\_ 9.111

DGH-M 2017, HDE-en, 10/16; Dimensional data not binding. We reserve the right to alter specifications without notice.

**Grass Drawer side runner systems**

Grass Nova Pro Scala

- > Drawer and internal drawer \_\_\_\_\_ 9.120
- > Internal pull outs for door front fixing \_\_\_\_\_ 9.123
- > Crystal Plus frame pull outs \_\_\_\_\_ 9.127
- > Nova Pro parallel control \_\_\_\_\_ 9.129
- > Accessories \_\_\_\_\_ 9.129
- > Tipmatic opening system \_\_\_\_\_ 9.130

Grass Vionaro

- > Drawer and internal drawer \_\_\_\_\_ 9.137
- > Internal pull outs for door front fixing \_\_\_\_\_ 9.140
- > Tipmatic opening system for Dynapro \_\_\_\_\_ 9.143

**Drawer compartment system**

Universal _____	9.146	Blum Tandembox _____	9.170
Matrix Box P _____	9.158	Blum Legrabox _____	9.173
Blum Tandembox antaro _____	9.164	Grass Nova Pro Scala _____	9.178
Blum Tandembox/ Legrabox/ Matrix Box P _____	9.163		

**Complete drawers**

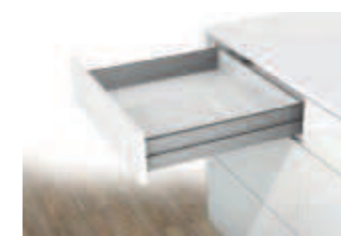
Wooden drawer with runners _____	9.185	Blum Tandembox antaro _____	9.190
Matrix Box P _____	9.187	Blum Legrabox pure _____	9.193
		Blum Legrabox free _____	9.196
		Plastic drawer _____	9.197

**Sliding and pull out cabinet runners and linear runners**

Pull out cabinet runners _____	9.200	Linear runners _____	9.206
Sliding cabinet runners _____	9.204	Pull out wall displays _____	9.205

**Drawer runners**

Universal soft and self closing mechanism for retrofitting _____	9.217	Aluminium ball bearing runners	> Full extension _____ 9.252
Concealed runners		Stainless steel ball bearing runners	> Single extension _____ 9.255
> Single extension _____	9.218	Roller runners	> Single extension _____ 9.256-9.261
> Full extension _____	9.219	> Full extension _____	9.260
> Blum Tandem _____	9.220	Stainless steel roller runners	> Single extension _____ 9.262
> Blum Movento _____	9.224	> Full extension _____	9.262
> Drilling jigs/tools _____	9.229	Guide rails	> Guide rail _____ 9.263
> Grass Dynapro _____	9.230	Accessories _____	9.264
> Processing aids _____	9.231		
Ball bearing runners			
> Groove mounted runners _____	9.232		
> Full extension _____	9.233, 9.238, 9.254		
> Single extension _____	9.234-9.237		



DGH-M 2017, HDE-en, 10/16; Dimensional data not binding. We reserve the right to alter specifications without notice.



Complete drawer and pull out

With Matrix Box P drawer side runner system



The following features can be selected individually:

- > Nominal length
- > Drawer side height
- > Internal cabinet width
- > Load bearing capacity
- > Finish
- > Front fixing

More information – product group 9 ▶ MB 9.186

With Blum Tandembox antaro drawer side runner system



The following features can be selected individually:

- > Nominal length
- > System height
- > Gallery height
- > Internal cabinet width
- > Load bearing capacity
- > Material/finish
- > Blumotion or Tip-On Blumotion cabinet runner
- > Parallel control or synchro unit
- > Front fixing
- > Handle (only with internal drawers)
- > Tip-On Blumotion unit

More information – product group 9 ▶ MB 9.189

With Blum Legrabox pure/free drawer side runner system



The following features can be selected individually:

- > Nominal length
- > System height
- > Internal cabinet width
- > Load bearing capacity
- > Material/finish
- > Internal pull out panel, front
- > Cabinet runner
- > Synchronising set
- > Side stabilisation set
- > Front fixing

More information – product group 9 ▶ MB 9.192

Wooden drawer



The following features can be selected individually:

- > Drawer model
- > Finish
- > Drawer width
- > Base panel thickness
- > Equipment variants
- > Processing
- > Runners
- > Type of wood
- > Drawer box height
- > Drawer box depth

More information – product group 9 ▶ MB 9.182

DGH-M 2017, HDE-en, 10/16; Dimensional data not binding. We reserve the right to alter specifications without notice.



Matrix Box P



Drawer/pull out for door front fixing



Internal drawer/internal pull out



Matrix Box P, the modular drawer system, opens up new design opportunities for kitchens, living rooms, offices, bathrooms, laboratories and stores. Robust, contemporary and easy to install.

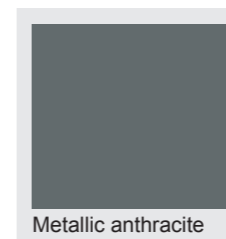
- > Appealing trend colours
- > Streamline design
- > Vertically running inner drawer side 90°
- > Fine adjustment from above

- > Material: Steel
- > Finish: Cabinet runner: Galvanized, drawer sides: In 5 colours
- > Type of pull out: Full extension with integrated soft closing and self closing mechanisms or with Push-to-Open Soft-Close progressive roller for smooth running action.

5 drawer side colours are available



White



Metallic anthracite



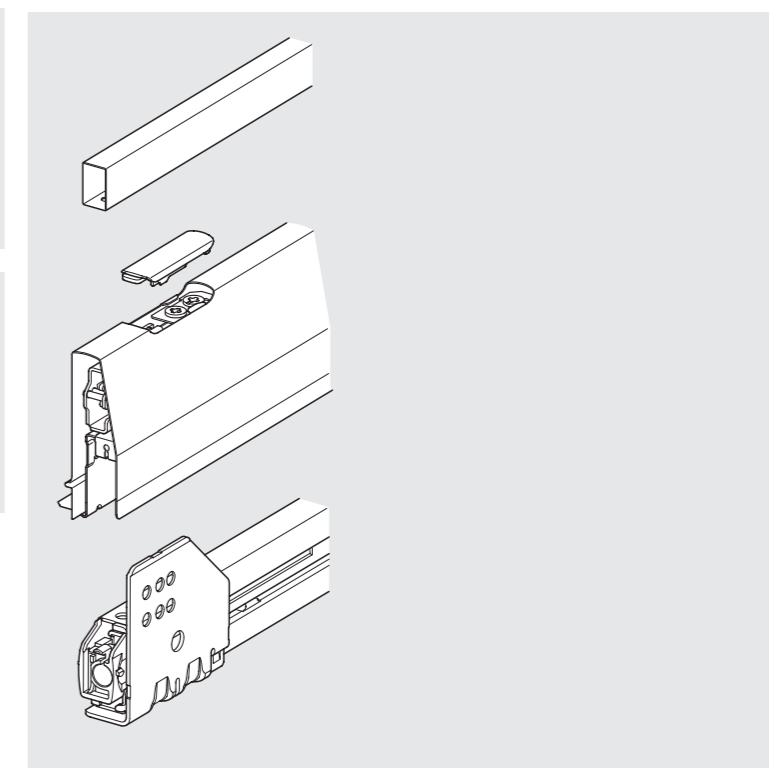
Grey



Metallic bronze brown



Metallic silver



Types of pull out

**Full extension with integrated soft closing and self closing mechanisms:**

The drawer is opened manually by pulling. On the other hand, when it is closed, the drawer is braked by a fluid soft closing mechanism integrated in the cabinet runner and then automatically and silently closed to the end position.

**Full extension with Push-to-Open Soft-Close:**

The drawer opens mechanically and automatically by a gentle tap anywhere on the handle-free front panel.

This function can also be used for opening wide pull outs effortlessly using a synchronisation rod.

A gentle push on the front panel closes the drawer and the integrated Soft-Close pulls it automatically and gently to the closed position.

**Progressive roller for smooth running action:**

Both variants are based on a full extension with progressive rollers, which is the guarantee of smooth running even if the drawers are fully loaded.

DGH-M 2017, HDE-en, 10/16; Dimensional data not binding. We reserve the right to alter specifications without notice.





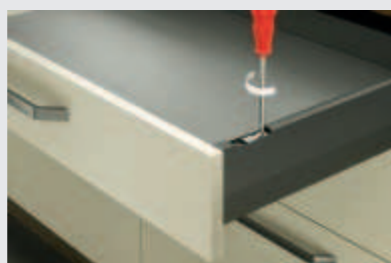
Product highlights

For universal use



With the motto "LET LIFE COME TO YOU", Matrix Box P offers a contemporary, universally deployable drawer side runner system whose modularity and universal deployment capability transforms any area, be it the kitchen, the bathroom, the living room, the laboratory, the office or in stores into an area where the customer will immediately feel comfortable and well equipped.

Functional installation



The Matrix Box P can be easily and functionally assembled and adjusted thanks to its well thought-out basic structure. Rational and functional manufacture possible due to the identical cut width for base panel and rear panel. The pre-mounted rear panel bracket allows a Matrix Box P drawer to be assembled quickly and easily. Front panel installation and disassembly without tools and the adjustment of the front panel from above clearly simplify the installation.

Can be individually designed



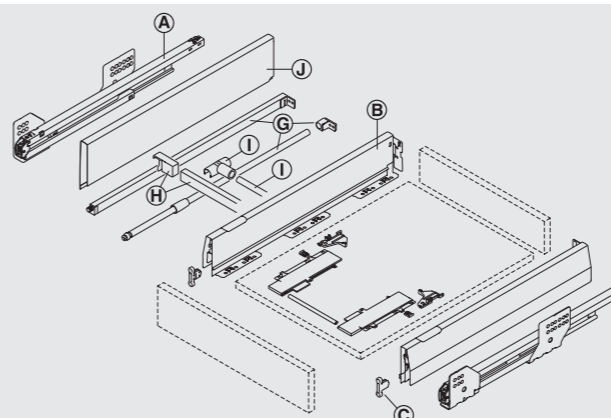
Because of its modularity, the Matrix Box P offers countless design and customisation options. The new colour and finish concept with 3 new trend colours is a real stunner from the moment the front panel opens. It features a modern and streamlined design which has been consistently implemented in the drawers/pull outs for door front fixing and the internal drawers/internal pull outs. This impression is reinforced by the contemporary and elegant straight-edged railing. Rounded off with the panel holder for drawers/pull outs for door front fixing, any drawer side can undergo further customisation to the customer's individual wishes – even the most unusual ones. The internal drawers/internal pull outs, which provide an optimum view of the contents at all times with glass panels at the front or the side, are coordinated with this. Be it drawers with wooden front panels or internal drawers, both can be equipped with inserts made from glass, wood, or stone, continuing the customisation that has been started and giving each item of furniture a unique note.

The finishing touches are given to the design by the optional additions and extensions such as height extension side panels, cross railing, central locking system, an overextension and also the under sink pull out, making the modular system complete for all wishes and requirements.

DGH-M 2017, HDE-en, 10/16; Dimensional data not binding. We reserve the right to alter specifications without notice.



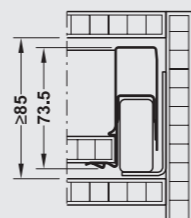
Explanation of terms: Drawer and pull out for door front fixing



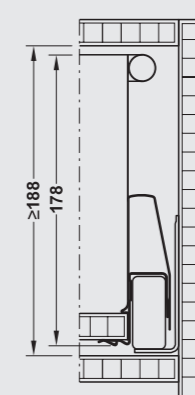
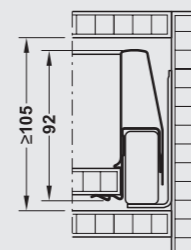
- Ⓐ Cabinet runner, optional with Push-to-Open Soft-Close
- Ⓑ Drawer side with cover caps
- Ⓒ Front fixing bracket
- Ⓓ Side railing set, round/straight-edged
- Ⓗ Cross rail and cross rail holder, rectangular
- Ⓘ Cross rail and cross rail holder, round
- Ⓙ Height extension side panel
- Ⓚ Panel holder and lateral glass panel (not shown)
- Ⓛ Front panel stabilising plate

Drawer side design: Drawer and pull out for door front fixing

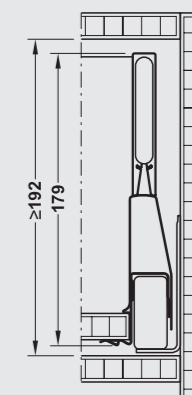
Drawer side height 60 mm



Drawer side height 92 mm

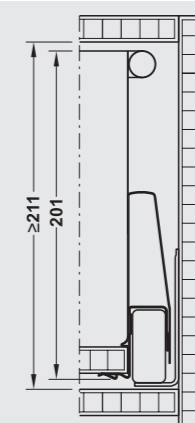
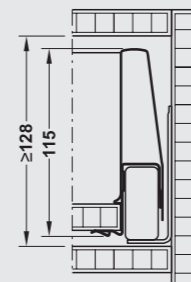


With round or rectangular railing

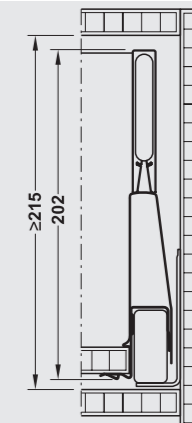


With panel holder

Drawer side height 115 mm



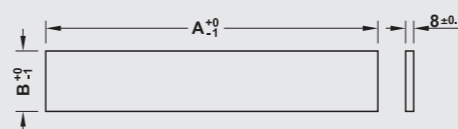
With round or rectangular railing



With panel holder

Cutting dimensions for self-manufactured insert elements

Pull out for door front fixing

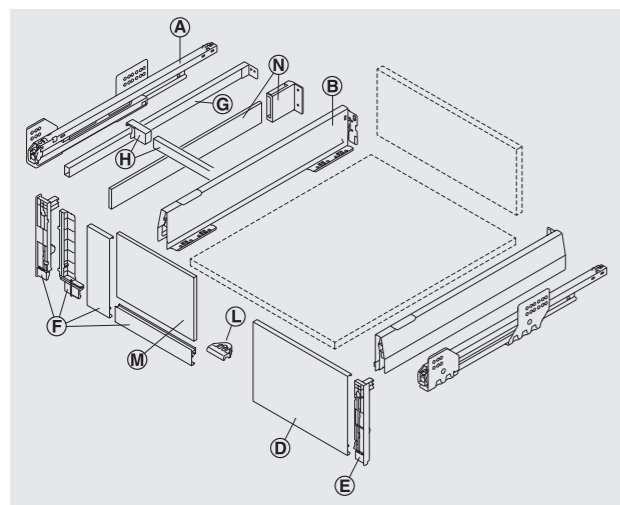


Length A = nominal length of cabinet runner – 45 mm  
Height B = 82 mm

DGH-M 2017, HDE-en, 10/16; Dimensional data not binding. We reserve the right to alter specifications without notice.

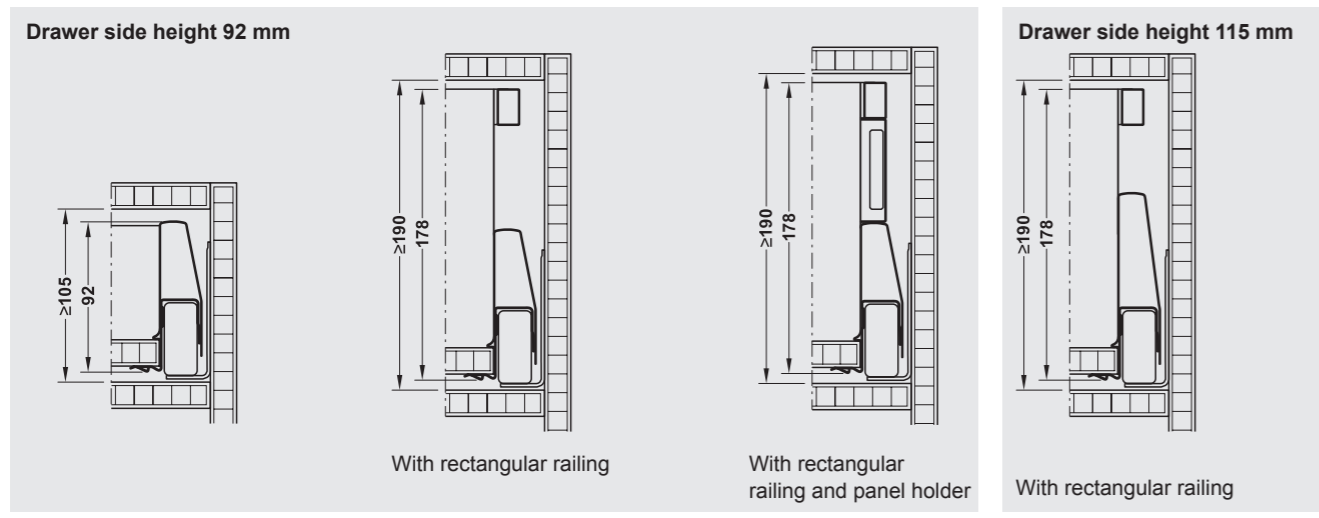


Explanation of terms: Internal drawer and internal pull out

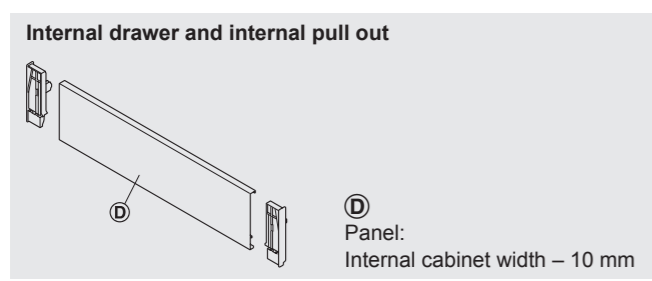


- (A) Cabinet runner
- (B) Drawer side with cover caps
- (D) Panel for internal drawer/internal pull out
- (E) Panel holder for internal drawer/internal pull out
- (F) Panel holder set for internal pull out
- (G) Side railing set, rectangular
- (H) Cross rail and cross rail holder, rectangular
- (L) Front panel stabilising plate
- (M) Front glass panel
- (N) Rear panel fitting and lateral panel holder

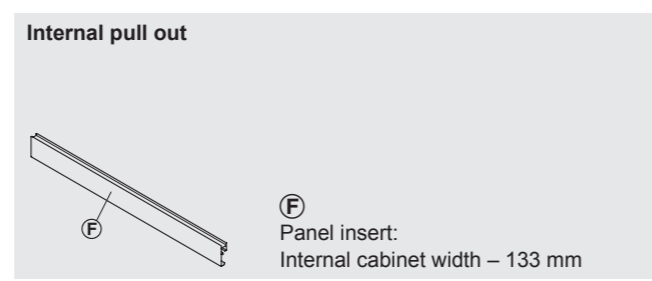
Drawer side design: Internal drawer and internal pull out



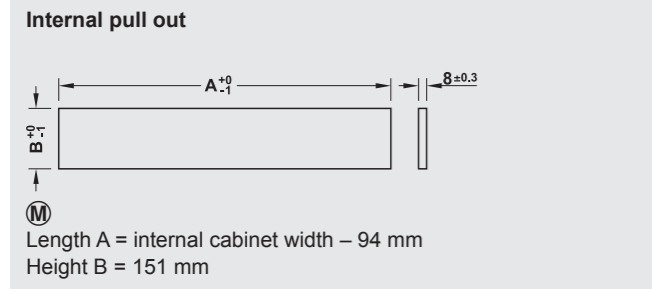
Cutting dimensions for panel



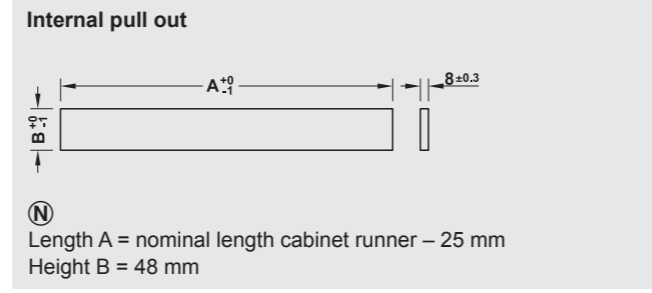
Cutting dimensions for panel insert



Cutting dimensions for self-manufactured front insert elements in combination with panel insert (F)



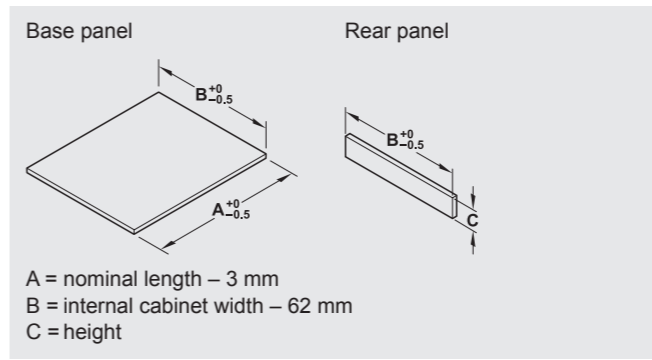
Cutting dimensions for self-manufactured lateral insert elements



DGH-M 2017, HDE-en, 10/16; Dimensional data not binding. We reserve the right to alter specifications without notice.

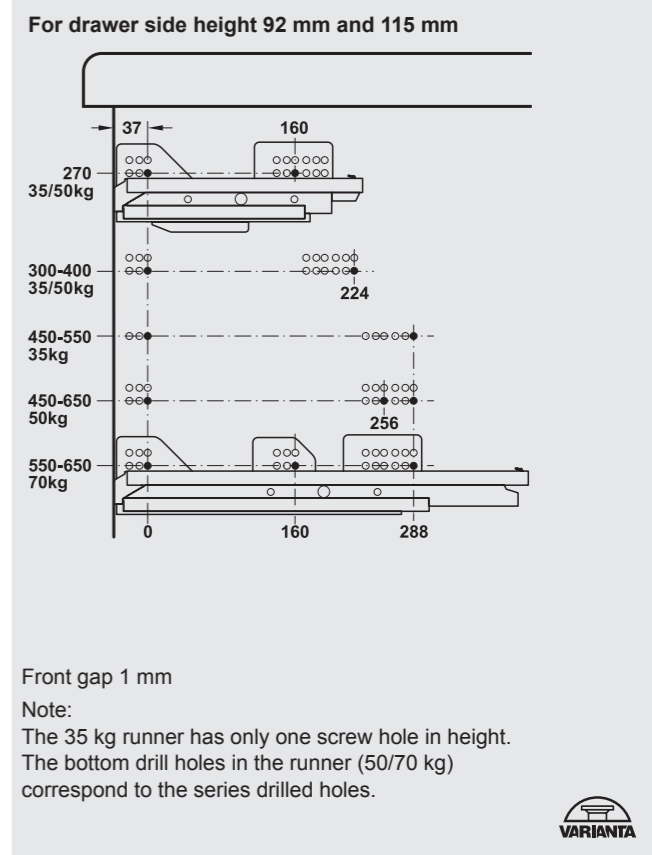
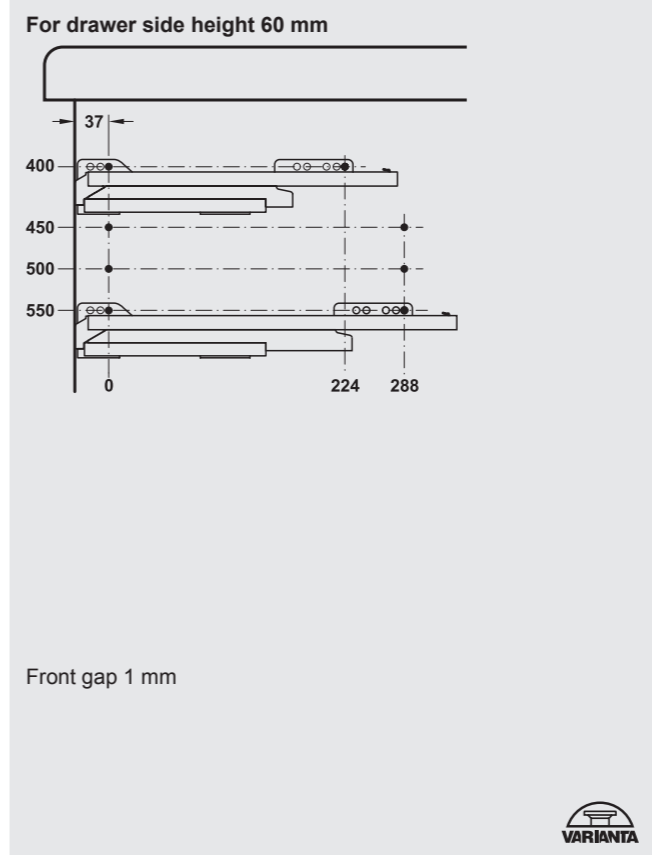


Cutting dimensions for panels (panel thickness of 16 mm)

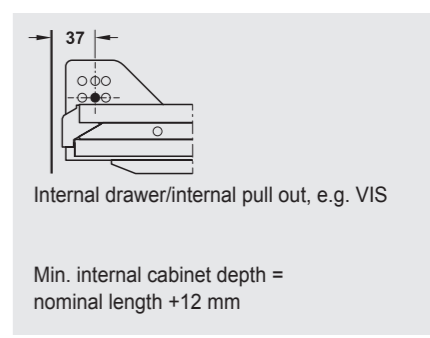
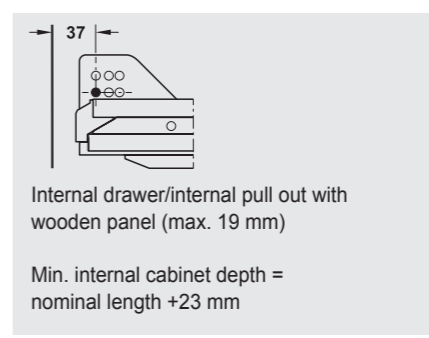
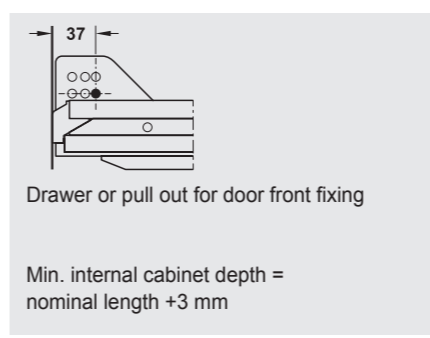


Drawer side height	Load bearing capacity	Rear panel height C
60 mm	35 kg	53 mm
92 mm	35/50/70 kg	69 mm
115 mm	35/50/70 kg	92 mm
Railing/height extension side panel/ panel holder 92 mm	35/50/70 kg	157 mm
Railing/height extension side panel/ panel holder 115 mm	35/50/70 kg	180 mm

Drilling pattern for cabinet



Screw-on positions of front panel



DGH-M 2017, HDE-en, 10/16; Dimensional data not binding. We reserve the right to alter specifications without notice.





Calculation of the internal drawer space dimensions

Internal drawer width, e.g.:

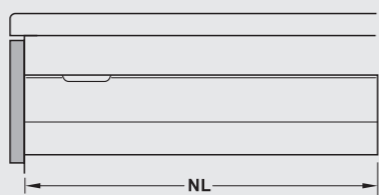
External cabinet width 600 mm  
 - (2 x side panel thickness) - (2 x 19 mm = 38 mm)  
 - (2 x installation dimension) - (2 x 31 mm = 62 mm)  
 = internal drawer width = 500 mm

External cabinet width mm	300	400	500	600	800
Side panel thickness mm	Internal drawer width mm				
16	206	306	406	506	706
19	200	300	400	500	700

Internal drawer depth, e.g.:

Nominal length cabinet runner 500 mm  
 - installation dimension - 3 mm  
 - rear panel thickness - 16 mm  
 = internal drawer depth = 481 mm

Internal cabinet depth

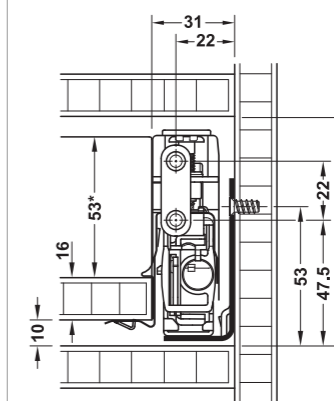


Min. internal cabinet depth = nominal length NL + 3 mm

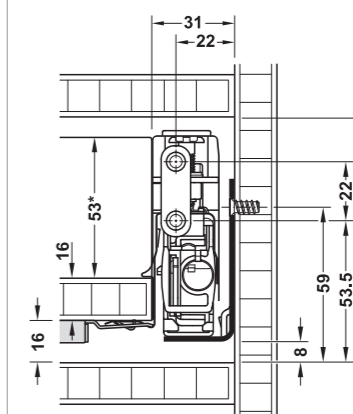
Matrix Box P Drawer set  
Drawer side height 60 mm



Internal installation height

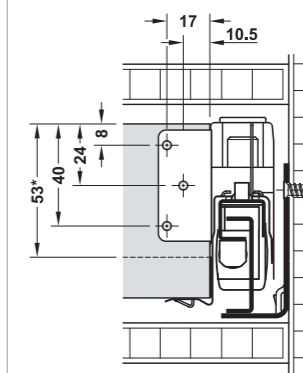


With integrated soft closing and self closing mechanisms



With Push-to-Open Soft-Close

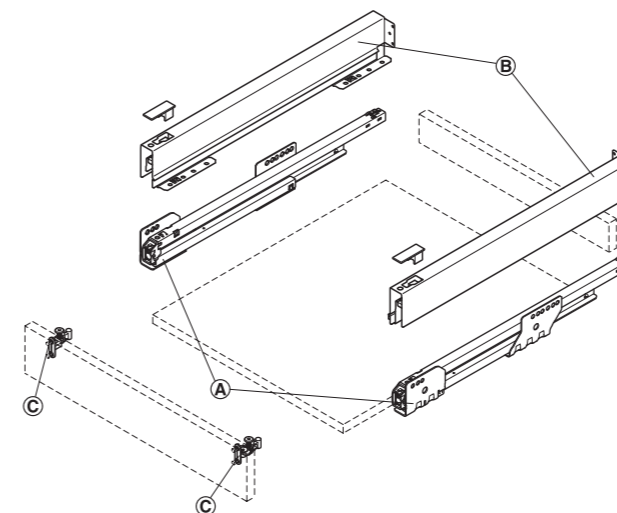
Rear panel installation dimensions



\* Rear panel height

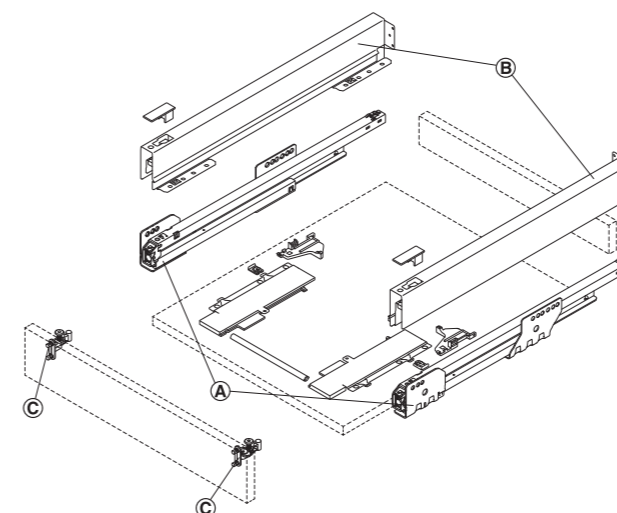
- > Material: Steel
- > Finish: Drawer sides: Powder coated, cabinet runner: Galvanized

**Note**  
Only front fixing brackets for screw fixing are supplied with the set.



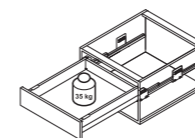
With integrated soft closing and self closing mechanisms

- A Cabinet runner
- B Drawer sides with cover caps
- C Front fixing bracket



With Push-to-Open

- A Cabinet runner with Push-to-Open Soft-Close
- B Drawer sides with cover caps
- C Front fixing bracket



DGH-M 2017, HDE-en, 10/16; Dimensional data not binding. We reserve the right to alter specifications without notice.

DGH-M 2017, HDE-en, 10/16; Dimensional data not binding. We reserve the right to alter specifications without notice.

→ Full extension, with integrated soft closing and self closing mechanisms

> Type of pull out: Full extension, with integrated Smuso soft closing mechanism and self closing mechanism, with integrated rear panel fitting

Supplied with

- 1 left and 1 right drawer side with rear panel fitting
- 1 left and 1 right cabinet runner
- 1 left and 1 right front fixing bracket for screw fixing
- 1 left and 1 right cover cap/front fixing bracket fixing



Nom. length mm	White	Grey	Metallic silver	Metallic anthracite	Metallic bronze brown
<b>Load bearing capacity 35 kg, Matrix Box P35 drawer set, drawer side height 60 mm</b>					
400	551.53.773	551.53.573	551.53.973	551.53.373	551.53.173
450	551.53.774	551.53.574	551.53.974	551.53.374	551.53.174
500	551.53.775	551.53.575	551.53.975	551.53.375	551.53.175
550	551.53.776	551.53.576	551.53.976	551.53.376	551.53.176

Packing: 1 set

Order reference

Please order fixing screw Cat. No. 013.20.949 for front fixing brackets separately.

→ Full extension, with integrated soft closing mechanism, self closing mechanism and Push-to-Open Soft-Close

> Type of pull out: Full extension, with integrated Smuso soft closing mechanism and self closing mechanism, with Push-to-Open and integrated rear panel fitting

Supplied with

- 1 left and 1 right drawer side with rear panel fitting
- 1 left and 1 right cabinet runner with Push-to-Open Soft-Close
- 1 left and 1 right front fixing bracket for screw fixing
- 1 left and 1 right cover cap/front fixing bracket fixing
- 1 Push-to-Open Soft-Close element
- 1 synchronisation rod (for drawer width 600 or 1,200 mm)



Nom. length mm	White	Grey	Metallic silver	Metallic anthracite	Metallic bronze brown
<b>Load bearing capacity 35 kg, Matrix Box P35 drawer set, drawer side height 60 mm, for cabinet width up to 600 mm</b>					
400	513.29.703	513.29.503	513.29.903	513.29.303	513.29.103
450	513.29.704	513.29.504	513.29.904	513.29.304	513.29.104
500	513.29.705	513.29.505	513.29.905	513.29.305	513.29.105
550	513.29.706	513.29.506	513.29.906	513.29.306	513.29.106
<b>Load bearing capacity 35 kg, Matrix Box P35 drawer set, drawer side height 60 mm, for cabinet width up to 1200 mm</b>					
400	513.29.713	513.29.513	513.29.913	513.29.313	513.29.113
450	513.29.714	513.29.514	513.29.914	513.29.314	513.29.114
500	513.29.715	513.29.515	513.29.915	513.29.315	513.29.115
550	513.29.716	513.29.516	513.29.916	513.29.316	513.29.116

Packing: 1 set

Order reference

Please order fixing screw Cat. No. 013.20.949 for front fixing brackets separately.  
Railing, height extension side panel and panel holder additionally available. Please order individual components separately.  
From cabinet width >800 mm, it is recommended to also use the support (Cat. No. 551.80.005) for the synchronisation rod, please order separately.

Supplementary products	► MB 9.32
Matrix Box P planning and installation	► MB 9.7
Cylindrical head screw (for front fixing)	► MB 14.50

DIESE SEITE WURDE BEWUSST  
LEER GELASSEN  
INTENTIONAL BLANK PAGE

DGH-M 2017, HDE-en,10/16; Dimensional data not binding. We reserve the right to alter specifications without notice.



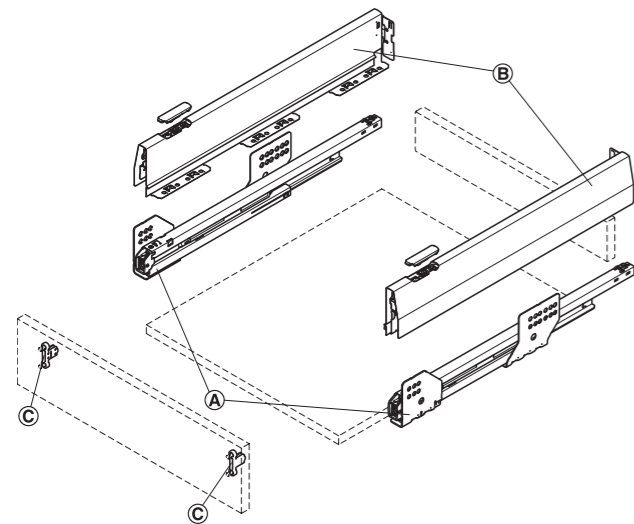
9

Drawer and Pull Out for Door Front Fixing



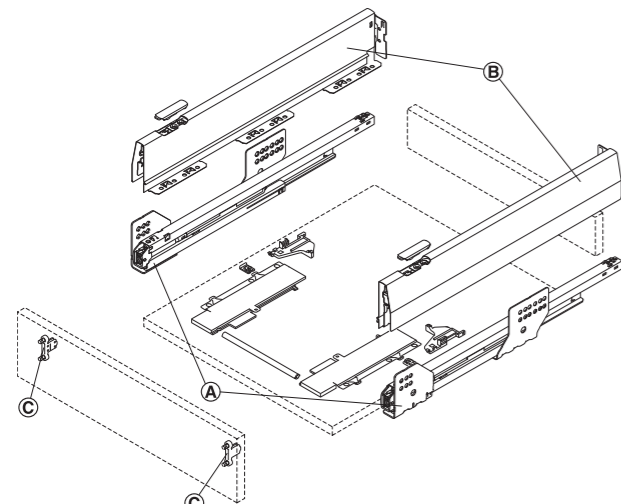
Matrix Box P Drawer set

Drawer side height 92 mm



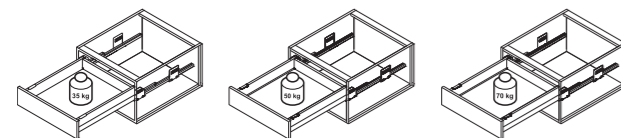
With integrated soft closing and self closing mechanisms

- Ⓐ Cabinet runner
- Ⓑ Drawer sides with cover caps
- Ⓒ Front fixing bracket

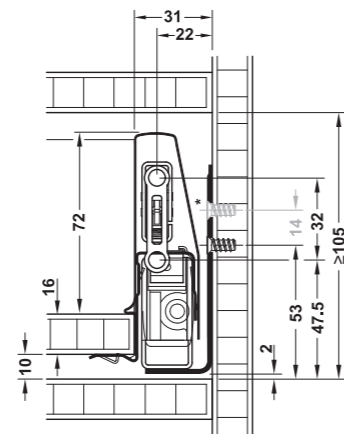


With Push-to-Open

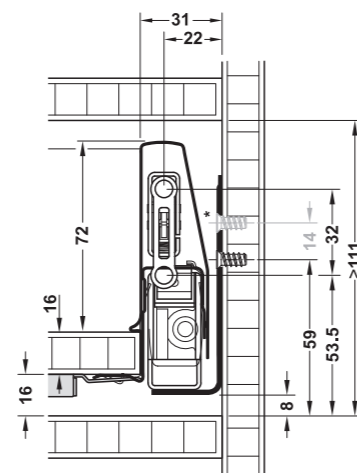
- Ⓐ Cabinet runner with Push-to-Open Soft-Close
- Ⓑ Drawer sides with cover caps
- Ⓒ Front fixing bracket



Internal installation height



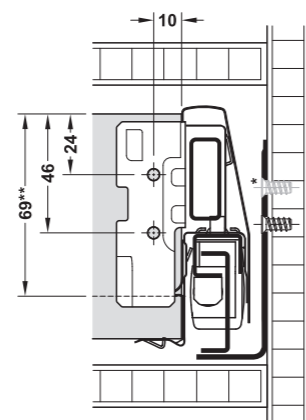
With integrated soft closing and self closing mechanisms



With Push-to-Open Soft-Close

\* Top row series drilled holes and fixing screws are not required for sets with load bearing capacity of 35 kg.

Rear panel installation dimensions



\*\*Rear panel height

- > Material: Steel
- > Finish: Drawer sides: Powder coated, cabinet runner: Zinc plated

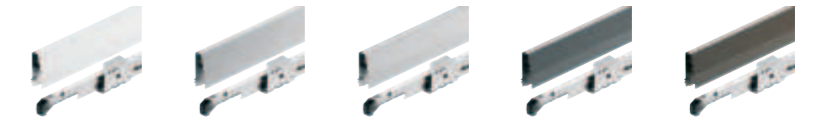
DGH-M 2017, HDE-en,10/16; Dimensional data not binding. We reserve the right to alter specifications without notice.

→ Full extension, with integrated soft closing and self closing mechanisms

> Type of pull out: Full extension, with integrated Smuso soft closing mechanism and self closing mechanism, with integrated rear panel fitting

Supplied with

- 1 left and 1 right drawer side with rear panel fitting
- 1 left and 1 right cabinet runner
- 1 left and 1 right cover cap with logo relief



Nom. length mm	White	Grey	Metallic silver	Metallic anthracite	Metallic bronze brown
<b>Load bearing capacity 35 kg, Matrix Box P35 drawer set, drawer side height 92 mm</b>					
270	513.04.700	513.04.500	513.04.900	513.04.300	513.04.100
300	513.04.701	513.04.501	513.04.901	513.04.301	513.04.101
350	513.04.702	513.04.502	513.04.902	513.04.302	513.04.102
400	513.04.703	513.04.503	513.04.903	513.04.303	513.04.103
450	513.04.704	513.04.504	513.04.904	513.04.304	513.04.104
500	513.04.705	513.04.505	513.04.905	513.04.305	513.04.105
550	513.04.706	513.04.506	513.04.906	513.04.306	513.04.106
<b>Load bearing capacity 50 kg, Matrix Box P50 drawer set, drawer side height 92 mm</b>					
400	551.54.723	551.54.523	551.54.923	551.54.323	551.54.123
450	551.54.724	551.54.524	551.54.924	551.54.324	551.54.124
500	551.54.725	551.54.525	551.54.925	551.54.325	551.54.125
550	551.54.726	551.54.526	551.54.926	551.54.326	551.54.126
600	551.54.727	551.54.527	551.54.927	551.54.327	551.54.127
650	551.54.728	551.54.528	551.54.928	551.54.328	551.54.128
<b>Load bearing capacity 70 kg, Matrix Box P70 drawer set, drawer side height 92 mm</b>					
550	551.54.746	551.54.546	551.54.946	551.54.346	551.54.146
600	551.54.747	551.54.547	551.54.947	551.54.347	551.54.147
650	551.54.748	551.54.548	551.54.948	551.54.348	551.54.148

Packing: 1 set

Order reference

Front fixing brackets Ⓒ for drawer not supplied, please order separately.

Front fixing bracket Ⓒ	▶ MB 9.11 A
Supplementary products	▶ MB 9.32
Matrix Box P planning and installation	▶ MB 9.7
Cylindrical head screw (for front fixing)	▶ MB 14.50

DGH-M 2017, HDE-en,10/16; Dimensional data not binding. We reserve the right to alter specifications without notice.



→ Full extension, with integrated soft closing mechanism, self closing mechanism and Push-to-Open Soft-Close

> Type of pull out: Full extension, with integrated Smuso soft closing mechanism and self closing mechanism, with Push-to-Open and integrated rear panel fitting

Supplied with

- 1 left and 1 right drawer side with rear panel fitting
- 1 left and 1 right cabinet runner with Push-to-Open Soft-Close
- 1 left and 1 right cover cap with logo relief
- 1 Push-to-Open Soft-Close element
- 1 synchronisation rod (for drawer width 600 or 1200 mm)



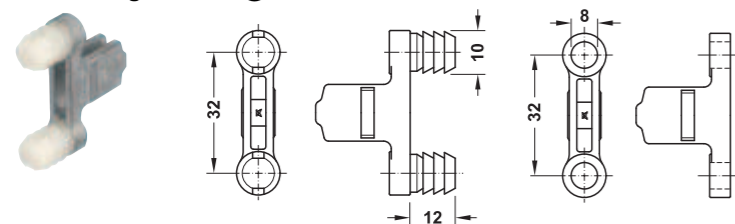
Nom. length mm	White	Grey	Metallic silver	Metallic anthracite	Metallic bronze brown
<b>Load bearing capacity 35 kg, Matrix Box P35 drawer set, drawer side height 92 mm, for cabinet width up to 600 mm</b>					
350	513.30.702	513.30.502	513.30.902	513.30.302	513.30.102
400	513.30.703	513.30.503	513.30.903	513.30.303	513.30.103
450	513.30.704	513.30.504	513.30.904	513.30.304	513.30.104
500	513.30.705	513.30.505	513.30.905	513.30.305	513.30.105
550	513.30.706	513.30.506	513.30.906	513.30.306	513.30.106
<b>Load bearing capacity 35 kg, Matrix Box P35 drawer set, drawer side height 92 mm, for cabinet width up to 1200 mm</b>					
350	513.30.712	513.30.512	513.30.912	513.30.312	513.30.112
400	513.30.713	513.30.513	513.30.913	513.30.313	513.30.113
450	513.30.714	513.30.514	513.30.914	513.30.314	513.30.114
500	513.30.715	513.30.515	513.30.915	513.30.315	513.30.115
550	513.30.716	513.30.516	513.30.916	513.30.316	513.30.116
<b>Load bearing capacity 50 kg, Matrix Box P50 drawer set, drawer side height 92 mm, for cabinet width up to 600 mm</b>					
450	513.30.724	513.30.524	513.30.924	513.30.324	513.30.124
500	513.30.725	513.30.525	513.30.925	513.30.325	513.30.125
550	513.30.726	513.30.526	513.30.926	513.30.326	513.30.126
600	513.30.727	513.30.527	513.30.927	513.30.327	513.30.127
650	513.30.728	513.30.528	513.30.928	513.30.328	513.30.128
<b>Load bearing capacity 50 kg, Matrix Box P50 drawer set, drawer side height 92 mm, for cabinet width up to 1200 mm</b>					
450	513.30.734	513.30.534	513.30.934	513.30.334	513.30.134
500	513.30.735	513.30.535	513.30.935	513.30.335	513.30.135
550	513.30.736	513.30.536	513.30.936	513.30.336	513.30.136
600	513.30.737	513.30.537	513.30.937	513.30.337	513.30.137
650	513.30.738	513.30.538	513.30.938	513.30.338	513.30.138

Packing: 1 set

Order reference

Front fixing brackets © for drawer not supplied, please order separately.  
Railing, height extension side panel and panel holder additionally available. Please order individual components separately.  
From cabinet width >800 mm, it is recommended to also use the support (Cat. No. 551.80.005) for the synchronisation rod, please order separately.

Front fixing bracket ©



For press fitting      For press fitting      For screw fixing

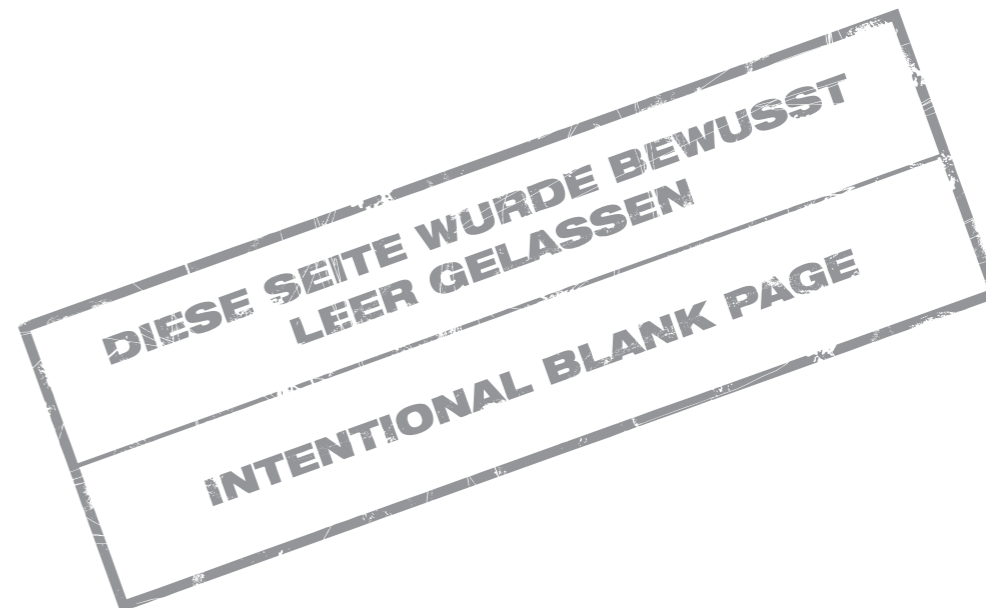
> Material: Zinc alloy

Version	Cat. No.
For press fitting	553.59.995
For screw fixing	553.59.991

Packing: 1 or 100 pieces

Order reference

Please order fixing screw Cat. No. 013.20.949 for screw-fixed version separately.



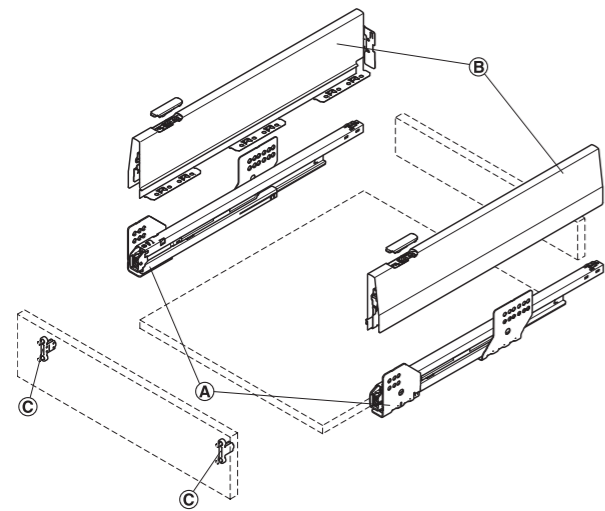
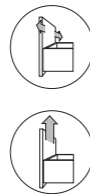
DGH-M 2017, HDE-en,10/16; Dimensional data not binding. We reserve the right to alter specifications without notice.





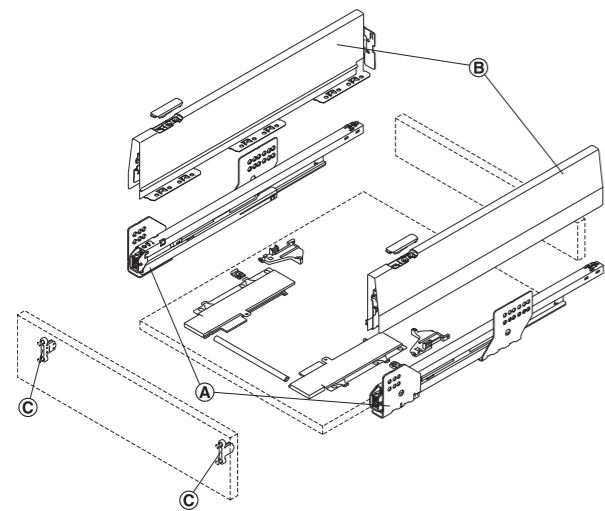
**Matrix Box P Drawer set**

Drawer side height 115 mm



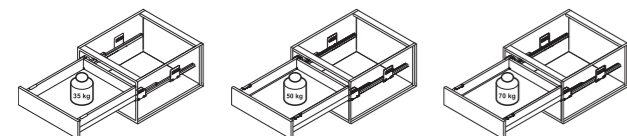
With integrated soft closing and self closing mechanisms

- (A) Cabinet runner
- (B) Drawer sides with cover caps
- (C) Front fixing bracket

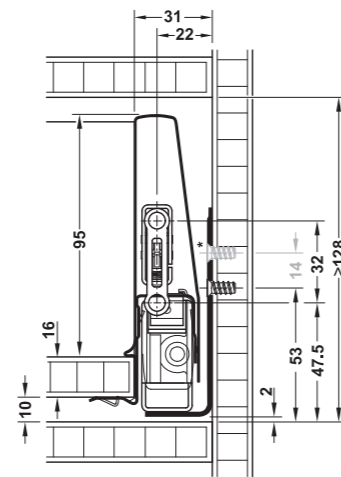


With Push-to-Open

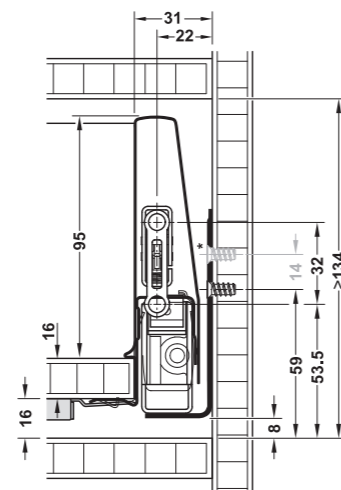
- (A) Cabinet runner with Push-to-Open Soft-Close
- (B) Drawer sides with cover caps
- (C) Front fixing bracket



**Internal installation height**



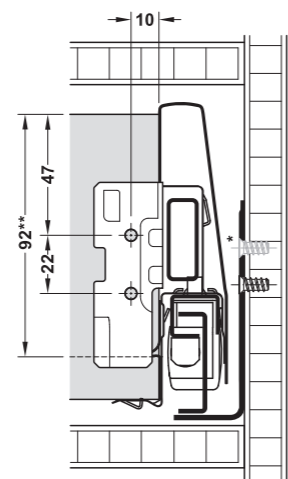
With integrated soft closing and self closing mechanisms



With Push-to-Open Soft-Close

\* Top row series drilled holes and fixing screws are not required for sets with load bearing capacity of 35 kg.

**Rear panel installation dimensions**



\*\* Rear panel height

- > Material: Steel
- > Finish: Drawer sides: Powder coated, cabinet runner: Zinc plated

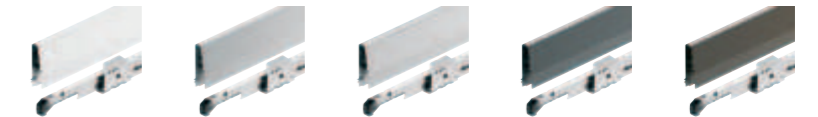
DGH-M 2017, HDE-en,10/16; Dimensional data not binding. We reserve the right to alter specifications without notice.

→ Full extension, with integrated soft closing and self closing mechanisms

> Type of pull out: Full extension, with integrated Smuso soft closing mechanism and self closing mechanism, with integrated rear panel fitting

**Supplied with**

- 1 left and 1 right drawer side with rear panel fitting
- 1 left and 1 right cabinet runner
- 1 left and 1 right cover cap with logo relief



Nom. length mm	White	Grey	Metallic silver	Metallic anthracite	Metallic bronze brown
<b>Load bearing capacity 35 kg, Matrix Box P35 drawer set, drawer side height 115 mm</b>					
270	513.14.700	513.14.500	513.14.900	513.14.300	513.14.100
300	513.14.701	513.14.501	513.14.901	513.14.301	513.14.101
350	513.14.702	513.14.502	513.14.902	513.14.302	513.14.102
400	513.14.703	513.14.503	513.14.903	513.14.303	513.14.103
450	513.14.704	513.14.504	513.14.904	513.14.304	513.14.104
500	513.14.705	513.14.505	513.14.905	513.14.305	513.14.105
550	513.14.706	513.14.506	513.14.906	513.14.306	513.14.106
<b>Load bearing capacity 50 kg, Matrix Box P50 drawer set, drawer side height 115 mm</b>					
400	551.74.723	551.74.523	551.74.923	551.74.323	551.74.123
450	551.74.724	551.74.524	551.74.924	551.74.324	551.74.124
500	551.74.725	551.74.525	551.74.925	551.74.325	551.74.125
550	551.74.726	551.74.526	551.74.926	551.74.326	551.74.126
600	551.74.727	551.74.527	551.74.927	551.74.327	551.74.127
650	551.74.728	551.74.528	551.74.928	551.74.328	551.74.128
<b>Load bearing capacity 70 kg, Matrix Box P70 drawer set, drawer side height 115 mm</b>					
550	551.74.746	551.74.546	551.74.946	551.74.346	551.74.146
600	551.74.747	551.74.547	551.74.947	551.74.347	551.74.147
650	551.74.748	551.74.548	551.74.948	551.74.348	551.74.148

Packing: 1 set

**Order reference**

Front fixing brackets (C) for drawer not supplied, please order separately.

Front fixing bracket (C)	► MB 9.13 A
Supplementary products	► MB 9.32
Matrix Box P planning and installation	► MB 9.7
Cylindrical head screw (for front fixing)	► MB 14.50

DGH-M 2017, HDE-en,10/16; Dimensional data not binding. We reserve the right to alter specifications without notice.



→ Full extension, with integrated soft closing mechanism, self closing mechanism and Push-to-Open Soft-Close

> Type of pull out: Full extension, with integrated Smuso soft closing mechanism and self closing mechanism, with Push-to-Open and integrated rear panel fitting

Supplied with

- 1 left and 1 right drawer side with rear panel fitting
- 1 left and 1 right cabinet runner with Push-to-Open Soft-Close
- 1 left and 1 right cover cap with logo relief
- 1 Push-to-Open Soft-Close element
- 1 synchronisation rod (for drawer width 600 or 1200 mm)



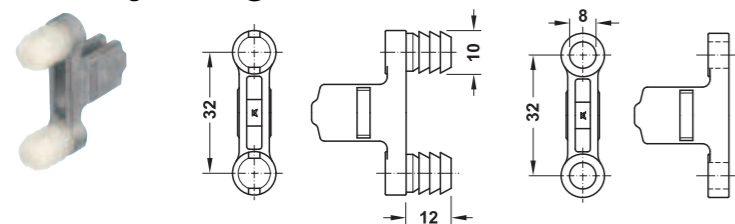
Nom. length mm	White	Grey	Metallic silver	Metallic anthracite	Metallic bronze brown
<b>Load bearing capacity 35 kg, Matrix Box P35 drawer set, drawer side height 115 mm, for cabinet width up to 600 mm</b>					
350	513.31.702	513.31.502	513.31.902	513.31.302	513.31.102
400	513.31.703	513.31.503	513.31.903	513.31.303	513.31.103
450	513.31.704	513.31.504	513.31.904	513.31.304	513.31.104
500	513.31.705	513.31.505	513.31.905	513.31.305	513.31.105
550	513.31.706	513.31.506	513.31.906	513.31.306	513.31.106
<b>Load bearing capacity 35 kg, Matrix Box P35 drawer set, drawer side height 115 mm, for cabinet width up to 1200 mm</b>					
350	513.31.712	513.31.512	513.31.912	513.31.312	513.31.112
400	513.31.713	513.31.513	513.31.913	513.31.313	513.31.113
450	513.31.714	513.31.514	513.31.914	513.31.314	513.31.114
500	513.31.715	513.31.515	513.31.915	513.31.315	513.31.115
550	513.31.716	513.31.516	513.31.916	513.31.316	513.31.116
<b>Load bearing capacity 50 kg, Matrix Box P50 drawer set, drawer side height 115 mm, for cabinet width up to 600 mm</b>					
450	513.31.724	513.31.524	513.31.924	513.31.324	513.31.124
500	513.31.725	513.31.525	513.31.925	513.31.325	513.31.125
550	513.31.726	513.31.526	513.31.926	513.31.326	513.31.126
600	513.31.727	513.31.527	513.31.927	513.31.327	513.31.127
650	513.31.728	513.31.528	513.31.928	513.31.328	513.31.128
<b>Load bearing capacity 50 kg, Matrix Box P50 drawer set, drawer side height 115 mm, for cabinet width up to 1200 mm</b>					
450	513.31.734	513.31.534	513.31.934	513.31.334	513.31.134
500	513.31.735	513.31.535	513.31.935	513.31.335	513.31.135
550	513.31.736	513.31.536	513.31.936	513.31.336	513.31.136
600	513.31.737	513.31.537	513.31.937	513.31.337	513.31.137
650	513.31.738	513.31.538	513.31.938	513.31.338	513.31.138

Packing: 1 set

Order reference

Front fixing brackets © for drawer not supplied, please order separately.  
Railing, height extension side panel and panel holder additionally available. Please order individual components separately.  
From cabinet width >800 mm, it is recommended to also use the support (Cat. No. 551.80.005) for the synchronisation rod, please order separately.

Front fixing bracket ©



For press fitting    For press fitting    For screw fixing

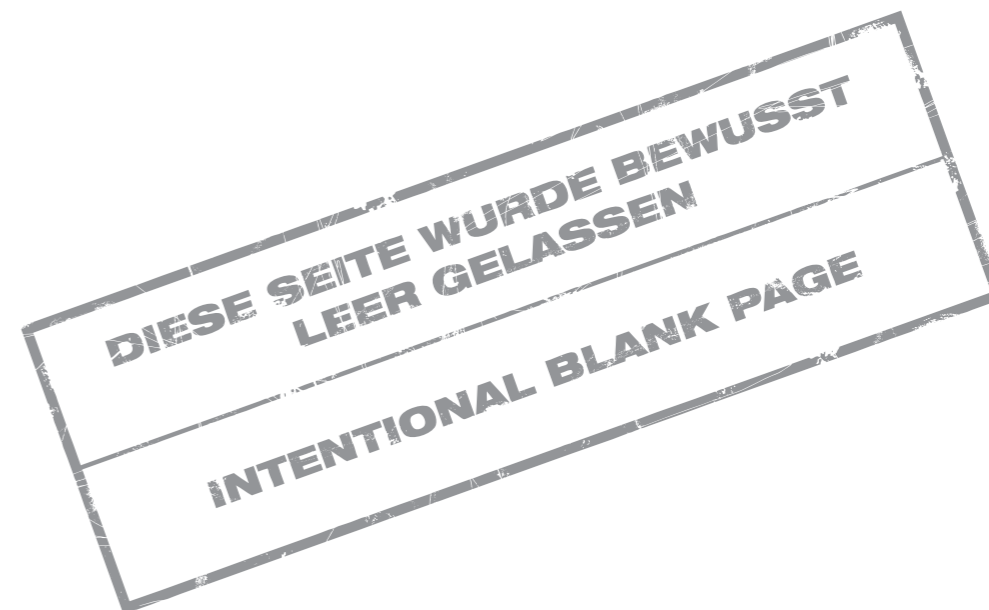
> Material: Zinc alloy

Version	Cat. No.
For press fitting	553.59.995
For screw fixing	553.59.991

Packing: 1 or 100 pieces

Order reference

Please order fixing screw Cat. No. 013.20.949 for screw-fixed version separately.



DGH-M 2017, HDE-en,10/16; Dimensional data not binding. We reserve the right to alter specifications without notice.



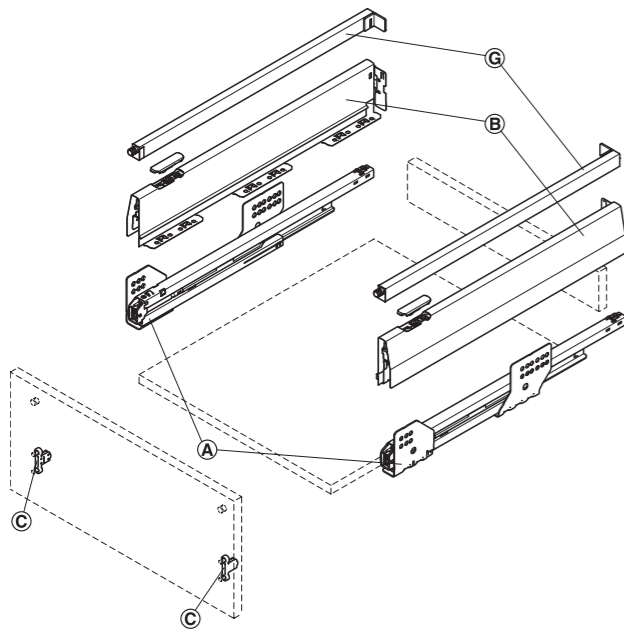


**Matrix Box P Pull out for door front fixing set**

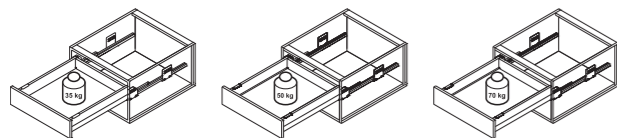
Drawer side height 92 mm, with side railing, rectangular



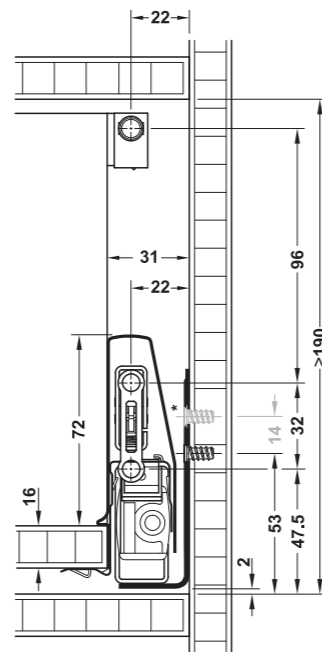
- > Colour of railing matches the drawer sides
- > Tilting angle of front panel adjustable via adjusting element in railing  $\pm 2$  mm
- > Rectangular railing provides architectural design
- > Additional stability for high pull outs for door front fixing



- (A) Cabinet runner
- (B) Drawer sides with cover caps
- (C) Front fixing bracket
- (G) Side railing set, rectangular

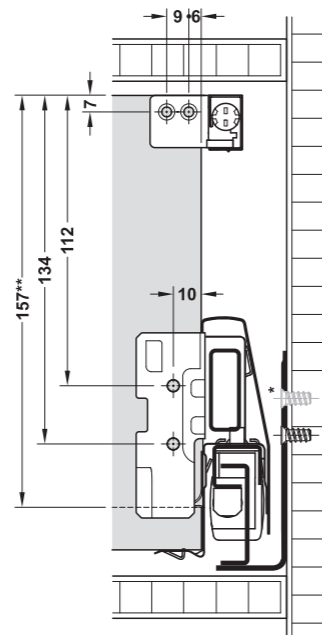


**Internal installation height**



\* Top row series drilled holes and fixing screws are not required for sets with load bearing capacity of 35 kg.

**Rear panel installation dimensions**



\*\* Rear panel height

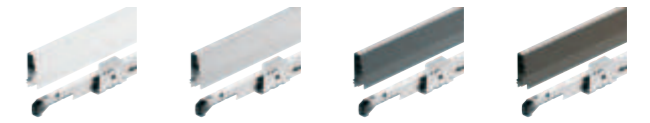
- > Type of pull out: Full extension, with integrated Smuso soft closing mechanism and self closing mechanism, with integrated rear panel fitting
- > Material: Steel, railing holder: Plastic
- > Finish: Drawer sides and railing: Powder coated, cabinet runner: Zinc plated
- > Dim.: Gallery rail: 13.5 x 22 mm

DGH-M 2017, HDE-en,10/16; Dimensional data not binding. We reserve the right to alter specifications without notice.

→ Full extension, with integrated soft closing and self closing mechanisms

**Supplied with**

- 1 left and 1 right drawer side with rear panel fitting
- 1 left and 1 right cabinet runner
- 1 left and 1 right cover cap with logo relief
- 1 side railing set, rectangular (gallery rail, front bracket, rear panel fitting)



Nom. length mm	White	Metallic silver	Metallic anthracite	Metallic bronze brown
<b>Load bearing capacity 35 kg, Matrix Box P35 pull out for door front fixing set, drawer side height 92 mm, with side railing set, rectangular</b>				
270	513.09.700	513.09.900	513.09.300	513.09.100
300	513.09.701	513.09.901	513.09.301	513.09.101
350	513.09.702	513.09.902	513.09.302	513.09.102
400	513.09.703	513.09.903	513.09.303	513.09.103
450	513.09.704	513.09.904	513.09.304	513.09.104
500	513.09.705	513.09.905	513.09.305	513.09.105
550	513.09.706	513.09.906	513.09.306	513.09.106

<b>Load bearing capacity 50 kg, Matrix Box P50 pull out for door front fixing set, drawer side height 92 mm, with side railing set, rectangular</b>				
400	551.67.723	551.67.923	551.67.323	551.67.123
450	551.67.724	551.67.924	551.67.324	551.67.124
500	551.67.725	551.67.925	551.67.325	551.67.125
550	551.67.726	551.67.926	551.67.326	551.67.126
600	551.67.727	551.67.927	551.67.327	551.67.127
650	551.67.728	551.67.928	551.67.328	551.67.128

<b>Load bearing capacity 70 kg, Matrix Box P70 pull out for door front fixing set, drawer side height 92 mm, with side railing set, rectangular</b>				
550	551.67.746	551.67.946	551.67.346	551.67.146
600	551.67.747	551.67.947	551.67.347	551.67.147
650	551.67.748	551.67.948	551.67.348	551.67.148

Packing: 1 set

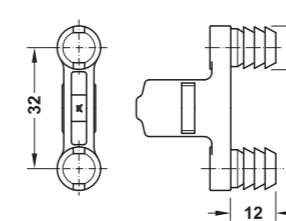
**Order reference**

Front fixing brackets (C) for drawer not supplied, please order separately.

**Front fixing bracket (C)**



For press fitting



For press fitting

> Material: Zinc alloy

Version	Cat. No.
For press fitting	553.59.995
For screw fixing	553.59.991

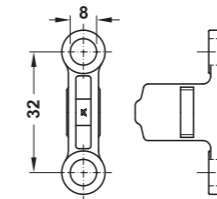
Packing: 1 or 100 pieces

**Order reference**

Please order fixing screw Cat. No. 013.20.949 for screw-fixed version separately.



For screw fixing



For screw fixing

Supplementary products	► MB 9.32
Matrix Box P planning and installation	► MB 9.7
Cylindrical head screw (for front fixing)	► MB 14.50

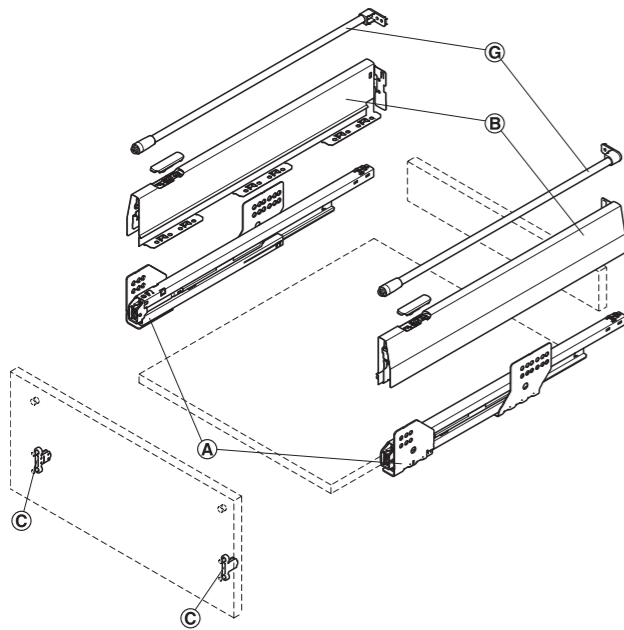


**Matrix Box P Pull out for door front fixing set**

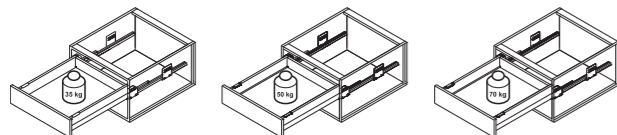
Drawer side height 92 mm, with side railing, round



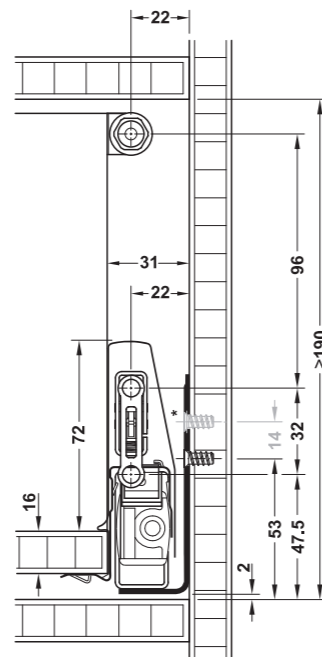
- > Colour of railing matches the drawer sides
- > Tilting angle of front panel adjustable by rotating the gallery rail  $\pm 2$  mm



- (A) Cabinet runner
- (B) Drawer sides with cover caps
- (C) Front fixing bracket
- (G) Side railing set, round

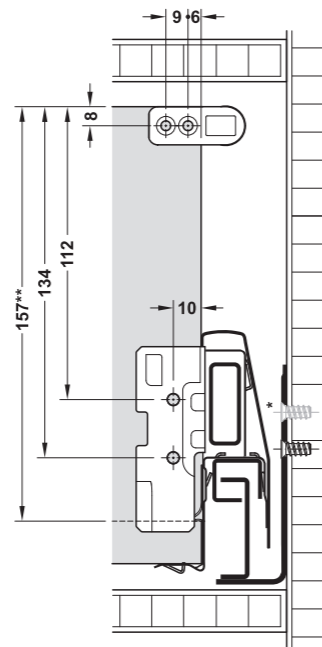


**Internal installation height**



\* Top row series drilled holes and fixing screws are not required for sets with load bearing capacity of 35 kg.

**Rear panel installation dimensions**



\*\* Rear panel height

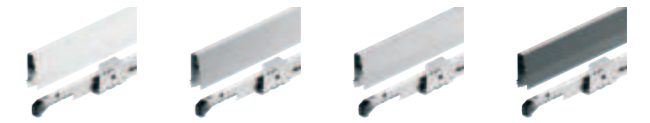
- > Type of pull out: Full extension, with integrated Smuso soft closing mechanism and self closing mechanism, with integrated rear panel fitting
- > Material: Steel, railing holder: Plastic
- > Finish: Drawer sides and railing: Powder coated, cabinet runner: Zinc plated
- > Dim.: Gallery rail:  $\varnothing$  11 mm

DGH-M 2017, HDE-en,10/16; Dimensional data not binding. We reserve the right to alter specifications without notice.

→ Full extension, with integrated soft closing and self closing mechanisms

**Supplied with**

- 1 left and 1 right drawer side with rear panel fitting
- 1 left and 1 right cabinet runner
- 1 left and 1 right cover cap with logo relief
- 1 side railing set, round (gallery rail, front bracket, rear panel fitting)



Nom. length mm	White	Grey	Metallic silver	Metallic anthracite
<b>Load bearing capacity 35 kg, Matrix Box P35 pull out for door front fixing set, drawer side height 92 mm, with side railing, round</b>				
270	513.07.700	513.07.500	513.07.900	513.07.300
300	513.07.701	513.07.501	513.07.901	513.07.301
350	513.07.702	513.07.502	513.07.902	513.07.302
400	513.07.703	513.07.503	513.07.903	513.07.303
450	513.07.704	513.07.504	513.07.904	513.07.304
500	513.07.705	513.07.505	513.07.905	513.07.305
550	513.07.706	513.07.506	513.07.906	513.07.306
<b>Load bearing capacity 50 kg, Matrix Box P50 pull out for door front fixing set, drawer side height 92 mm, with side railing, round</b>				
400	551.57.723	551.57.523	551.57.923	551.57.323
450	551.57.724	551.57.524	551.57.924	551.57.324
500	551.57.725	551.57.525	551.57.925	551.57.325
550	551.57.726	551.57.526	551.57.926	551.57.326
600	551.57.727	551.57.527	551.57.927	551.57.327
650	551.57.728	551.57.528	551.57.928	551.57.328
<b>Load bearing capacity 70 kg, Matrix Box P70 pull out for door front fixing set, drawer side height 92 mm, with side railing, round</b>				
550	551.57.746	551.57.546	551.57.946	551.57.346
600	551.57.747	551.57.547	551.57.947	551.57.347
650	551.57.748	551.57.548	551.57.948	551.57.348

Packing: 1 set

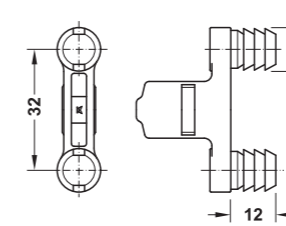
**Order reference**

Front fixing brackets (C) for drawer not supplied, please order separately.

**Front fixing bracket (C)**



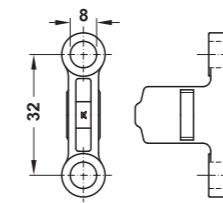
For press fitting



For press fitting



For screw fixing



For screw fixing

> Material: Zinc alloy

Version	Cat. No.
For press fitting	553.59.995
For screw fixing	553.59.991

Packing: 1 or 100 pieces

**Order reference**

Please order fixing screw Cat. No. 013.20.949 for screw-fixed version separately.

Subdivision with cross railing	► MB 9.34
Supplementary products	► MB 9.32
Matrix Box P planning and installation	► MB 9.7
Cylindrical head screw (for front fixing)	► MB 14.50



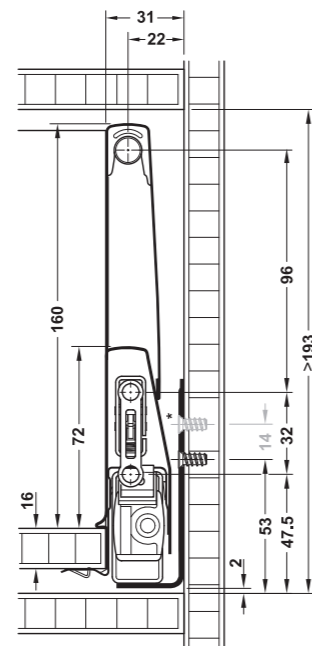
**Matrix Box P Pull out for door front fixing set**

Drawer side height 92 mm, with height extension side panels

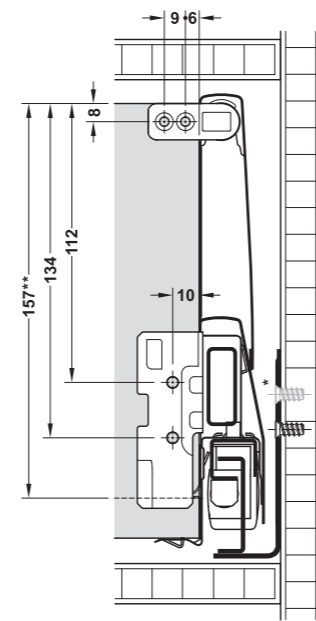


- > Tilting angle of front panel adjustable by rotating the gallery rail  $\pm 2$  mm
- > Tall kitchen items cannot fall out or fall over due to the enclosed height extension side panels
- > Can be retrofitted onto round railing when observing the given installation height
- > Matches the colour of the drawer sides

**Internal installation height**

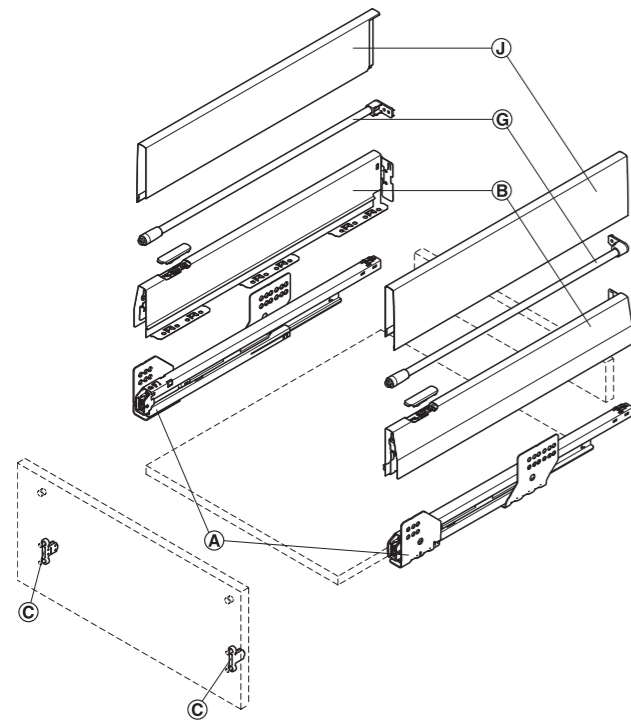


**Rear panel installation dimensions**

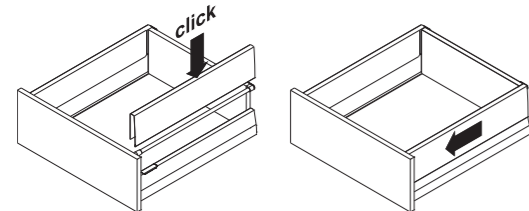


\* Top row series drilled holes and fixing screws are not required for sets with load bearing capacity of 35 kg.  
\*\* Rear panel height

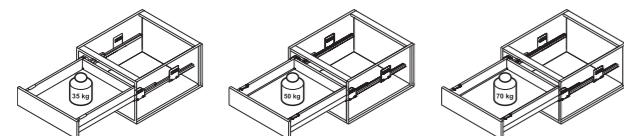
- > Area of application: For increasing the height of the enclosed internal space of the pull out by 88 mm to a total height of 160 mm
- > Type of pull out: Full extension, with integrated Smuso soft closing mechanism and self closing mechanism, with integrated rear panel fitting
- > Material: Steel, railing holder: Plastic
- > Finish: Drawer sides and railing: Powder coated, cabinet runner: Zinc plated



- (A) Cabinet runner
- (B) Drawer sides with cover caps
- (C) Front fixing bracket
- (G) Side railing set
- (J) Height extension side panel



Mount the side railing precisely according to the installation drawing when using individual rear panel heights.



→ Full extension, with integrated soft closing and self closing mechanisms

**Supplied with**

- 1 left and 1 right drawer side with rear panel fitting
- 1 left and 1 right cabinet runner
- 1 left and 1 right cover cap with logo relief
- 1 side railing set (gallery rail, front bracket, rear panel fitting)
- 2 height extension side panels



Nom. length mm	White	Grey	Metallic silver	Metallic anthracite	Metallic bronze brown
----------------	-------	------	-----------------	---------------------	-----------------------

**Load bearing capacity 35 kg, Matrix Box P35 pull out for door front fixing set, drawer side height 92 mm, with height extension side panels**

270	513.05.700	513.05.500	513.05.900	513.05.300	513.05.100
300	513.05.701	513.05.501	513.05.901	513.05.301	513.05.101
350	513.05.702	513.05.502	513.05.902	513.05.302	513.05.102
400	513.05.703	513.05.503	513.05.903	513.05.303	513.05.103
450	513.05.704	513.05.504	513.05.904	513.05.304	513.05.104
500	513.05.705	513.05.505	513.05.905	513.05.305	513.05.105
550	513.05.706	513.05.506	513.05.906	513.05.306	513.05.106

**Load bearing capacity 50 kg, Matrix Box P50 pull out for door front fixing set, drawer side height 92 mm, with height extension side panels**

400	551.55.723	551.55.523	551.55.923	551.55.323	551.55.123
450	551.55.724	551.55.524	551.55.924	551.55.324	551.55.124
500	551.55.725	551.55.525	551.55.925	551.55.325	551.55.125
550	551.55.726	551.55.526	551.55.926	551.55.326	551.55.126
600	551.55.727	551.55.527	551.55.927	551.55.327	551.55.127
650	551.55.728	551.55.528	551.55.928	551.55.328	551.55.128

**Load bearing capacity 70 kg, Matrix Box P70 pull out for door front fixing set, drawer side height 92 mm, with height extension side panels**

550	551.55.746	551.55.546	551.55.946	551.55.346	551.55.146
600	551.55.747	551.55.547	551.55.947	551.55.347	551.55.147
650	551.55.748	551.55.548	551.55.948	551.55.348	551.55.148

Packing: 1 set

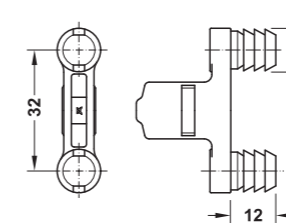
**Order reference**

Front fixing brackets (C) for drawer not supplied, please order separately.

**Front fixing bracket (C)**



For press fitting



For press fitting

> Material: Zinc alloy

Version	Cat. No.
For press fitting	553.59.995
For screw fixing	553.59.991

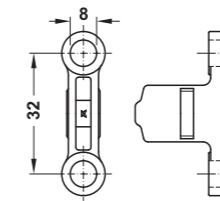
Packing: 1 or 100 pieces

**Order reference**

Please order fixing screw Cat. No. 013.20.949 for screw-fixed version separately.



For screw fixing



For screw fixing

Supplementary products	► MB 9.32
Matrix Box P planning and installation	► MB 9.7
Cylindrical head screw (for front fixing)	► MB 14.50

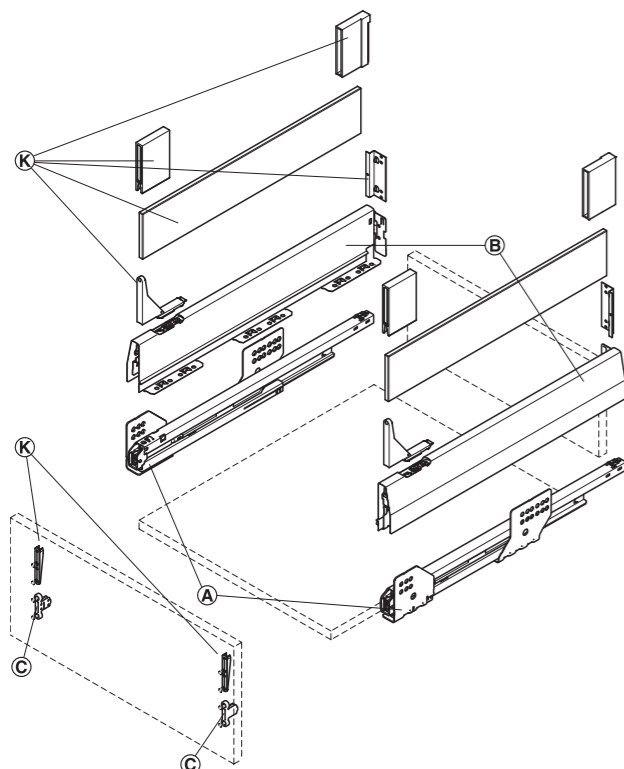


**Matrix Box P Pull out for door front fixing set**

Drawer side height 92 mm, with panel holder

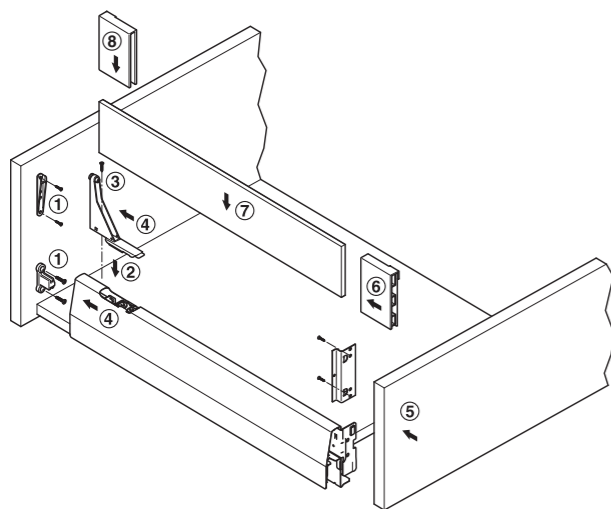


- > For individual panel design with material thickness 8 mm made from e.g. glass, wood, acrylic,...
- > Tilting angle adjustment of front panel at panel holder ±2 mm
- > Additional stability for high pull outs for door front fixing

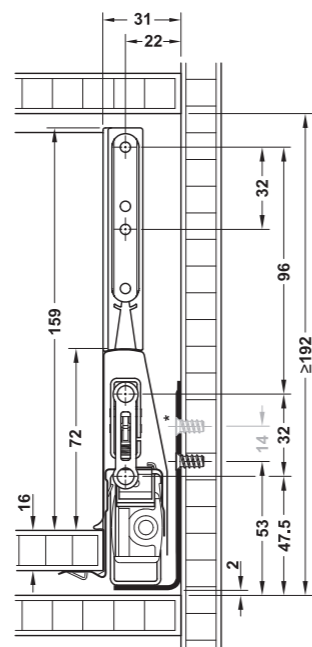


- (A) Cabinet runner
- (B) Drawer sides with cover caps
- (C) Front fixing bracket
- (K) Panel holder

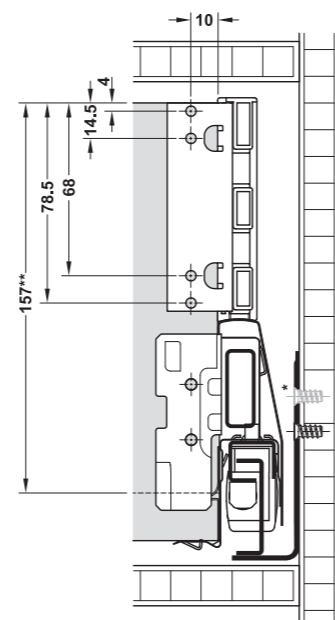
**Installation**



**Internal installation height**



**Rear panel installation dimensions**



\* Top row series drilled holes and fixing screws are not required for sets with load bearing capacity of 35 kg.

\*\* Rear panel height

- > Type of pull out: Full extension, with integrated Smuso soft closing mechanism, with integrated rear panel fitting
- > Material: Steel, railing holder: Plastic
- > Finish: Drawer sides and railing: Powder coated, cabinet runner: Zinc plated
- > Adjustment facility: The tilting angle of the drawer front panel can be adjusted using slotted screw
- > Installation: For placing onto drawer sides, for screw fixing to drawer front panel and rear panel, cover caps for plug fitting

DGH-M 2017, HDE-en,10/16; Dimensional data not binding. We reserve the right to alter specifications without notice.

→ Full extension, with integrated soft closing and self closing mechanisms

**Supplied with**

- 1 left and 1 right drawer side with rear panel fitting
- 1 left and 1 right cabinet runner
- 1 left and 1 right cover cap with logo relief
- 1 lateral panel set (front bracket, panel holders, cover caps, rear panel fitting)



Nom. length mm	White	Metallic silver	Metallic anthracite	Metallic bronze brown
<b>Load bearing capacity 35 kg, Matrix Box P35 pull out for door front fixing set, drawer side height 92 mm, with panel holder</b>				
270	513.09.760	513.09.960	513.09.360	513.09.160
300	513.09.761	513.09.961	513.09.361	513.09.161
350	513.09.762	513.09.962	513.09.362	513.09.162
400	513.09.763	513.09.963	513.09.363	513.09.163
450	513.09.764	513.09.964	513.09.364	513.09.164
500	513.09.765	513.09.965	513.09.365	513.09.165
550	513.09.766	513.09.966	513.09.366	513.09.166

Nom. length mm	White	Metallic silver	Metallic anthracite	Metallic bronze brown
<b>Load bearing capacity 50 kg, Matrix Box P50 pull out for door front fixing set, drawer side height 92 mm, with panel holder</b>				
400	551.67.773	551.67.973	551.67.373	551.67.173
450	551.67.774	551.67.974	551.67.374	551.67.174
500	551.67.775	551.67.975	551.67.375	551.67.175
550	551.67.776	551.67.976	551.67.376	551.67.176
600	551.67.777	551.67.977	551.67.377	551.67.177
650	551.67.778	551.67.978	551.67.378	551.67.178

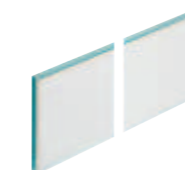
Nom. length mm	White	Metallic silver	Metallic anthracite	Metallic bronze brown
<b>Load bearing capacity 70 kg, Matrix Box P70 pull out for door front fixing set, drawer side height 92 mm, with panel holder</b>				
550	551.67.786	551.67.986	551.67.386	551.67.186
600	551.67.787	551.67.987	551.67.387	551.67.187
650	551.67.788	551.67.988	551.67.388	551.67.188

Packing: 1 set

**Order reference**

Front fixing brackets (C) and glass panel for drawer not supplied, please order separately.

**Glass panel**



- > Version: Edges ground and chamfered
- > Glass thickness: 8 mm

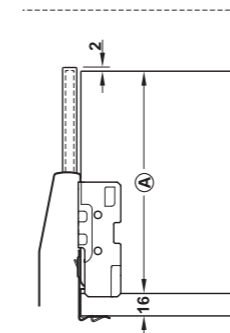
Nom. length mm	Flint glass, clear	Flint glass, satin frosted
270	553.60.440	553.60.140
300	553.60.441	553.60.141
350	553.60.442	553.60.142
400	553.60.443	553.60.143
450	553.60.444	553.60.144
500	553.60.445	553.60.145
550	553.60.446	553.60.146
600	553.60.447	553.60.147
650	553.60.448	553.60.148

Packing: 1 pair

**Installation dimensions**

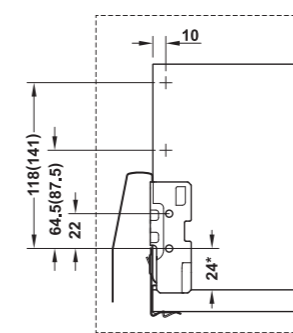
Please note with individually manufactured panels:

- > Material thickness 8 mm
- > Height 82 mm
- > Panel length = nominal length – 45 mm



Rear panel height (A) = 157 (180) mm

Dim. without brackets = drawer side height 92 mm  
Dim. in brackets = drawer side height 115 mm



Drilling pattern for rear panel fitting

DGH-M 2017, HDE-en,10/16; Dimensional data not binding. We reserve the right to alter specifications without notice.



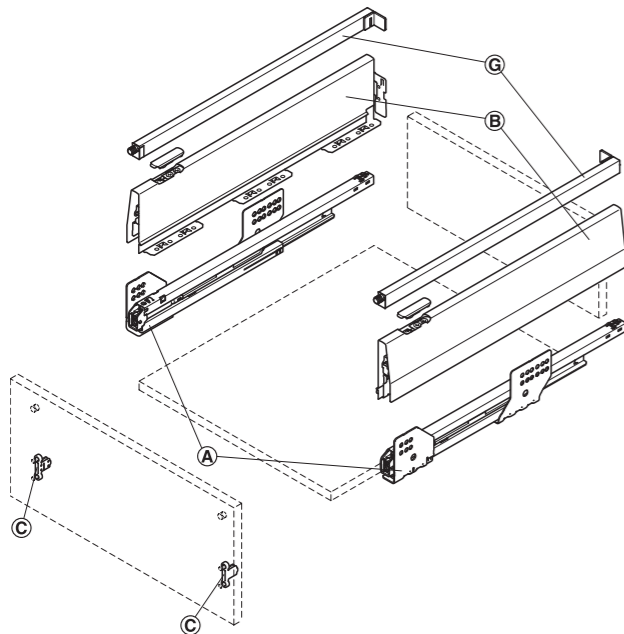
Front fixing bracket (C)	► MB 9.19
Supplementary products	► MB 9.32
Matrix Box P planning and installation	► MB 9.7

**Matrix Box P Pull out for door front fixing set**

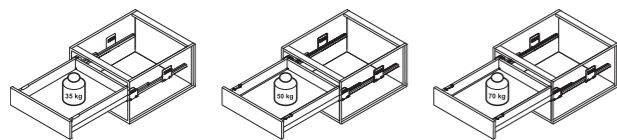
Drawer side height 115 mm, with side railing, rectangular



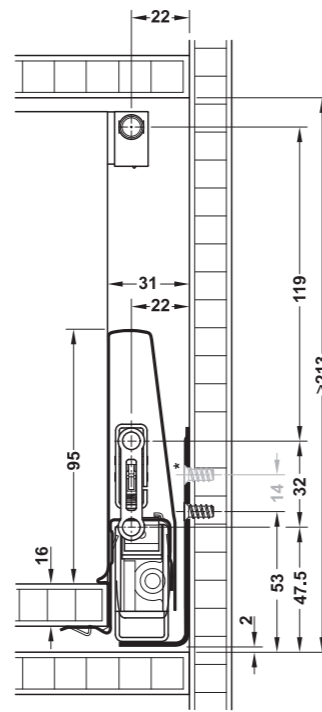
- > Colour of railing matches the drawer sides
- > Tilting angle of front panel adjustable via adjusting element in railing  $\pm 2$  mm
- > Rectangular railing provides architectural design
- > Additional stability for high pull outs for door front fixing



- Ⓐ Cabinet runner
- Ⓑ Drawer sides with cover caps
- Ⓒ Front fixing bracket
- Ⓓ Side railing set, rectangular

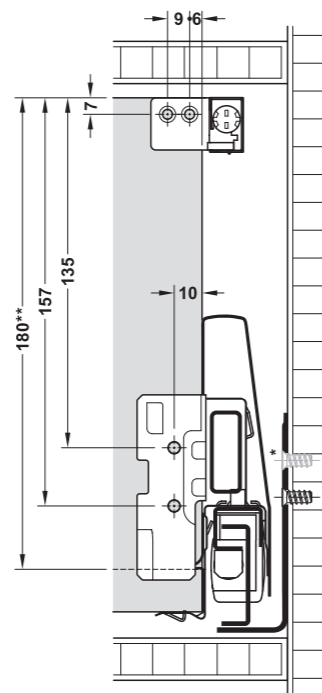


**Internal installation height**



\* Top row series drilled holes and fixing screws are not required for sets with load bearing capacity of 35 kg.

**Rear panel installation dimensions**



\*\* Rear panel height

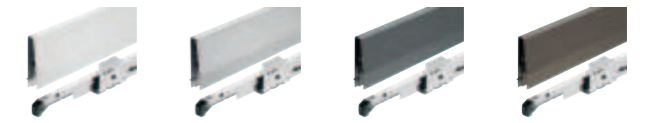
- > Type of pull out: Full extension, with integrated Smuso soft closing mechanism and self closing mechanism, with integrated rear panel fitting
- > Material: Steel, railing holder: Plastic
- > Finish: Drawer sides and railing: Powder coated, cabinet runner: Zinc plated
- > Dim.: Gallery rail: 13.5 x 22 mm

DGH-M 2017, HDE-en,10/16; Dimensional data not binding. We reserve the right to alter specifications without notice.

→ Full extension, with integrated soft closing and self closing mechanisms

**Supplied with**

- 1 left and 1 right drawer side with rear panel fitting
- 1 left and 1 right cabinet runner
- 1 left and 1 right cover cap with logo relief
- 1 side railing set, rectangular (gallery rail, front bracket, rear panel fitting)



Nom. length mm	White	Metallic silver	Metallic anthracite	Metallic bronze brown
<b>Load bearing capacity 35 kg, Matrix Box P35 pull out for door front fixing set, drawer side height 115 mm, with side railing set, rectangular</b>				
270	513.19.700	513.19.900	513.19.300	513.19.100
300	513.19.701	513.19.901	513.19.301	513.19.101
350	513.19.702	513.19.902	513.19.302	513.19.102
400	513.19.703	513.19.903	513.19.303	513.19.103
450	513.19.704	513.19.904	513.19.304	513.19.104
500	513.19.705	513.19.905	513.19.305	513.19.105
550	513.19.706	513.19.906	513.19.306	513.19.106

<b>Load bearing capacity 50 kg, Matrix Box P50 pull out for door front fixing set, drawer side height 115 mm, with side railing set, rectangular</b>				
400	551.37.723	551.37.923	551.37.323	551.37.123
450	551.37.724	551.37.924	551.37.324	551.37.124
500	551.37.725	551.37.925	551.37.325	551.37.125
550	551.37.726	551.37.926	551.37.326	551.37.126
600	551.37.727	551.37.927	551.37.327	551.37.127
650	551.37.728	551.37.928	551.37.328	551.37.128

<b>Load bearing capacity 70 kg, Matrix Box P70 pull out for door front fixing set, drawer side height 115 mm, with side railing set, rectangular</b>				
550	551.37.746	551.37.946	551.37.346	551.37.146
600	551.37.747	551.37.947	551.37.347	551.37.147
650	551.37.748	551.37.948	551.37.348	551.37.148

Packing: 1 set

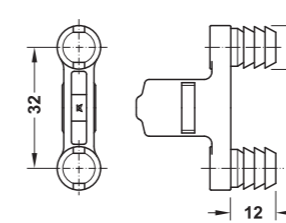
**Order reference**

Front fixing brackets Ⓒ for drawer not supplied, please order separately.

**Front fixing bracket Ⓒ**



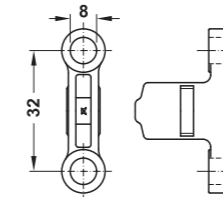
For press fitting



For press fitting



For screw fixing



For screw fixing

> Material: Zinc alloy

Version	Cat. No.
For press fitting	553.59.995
For screw fixing	553.59.991

Packing: 1 or 100 pieces

**Order reference**

Please order fixing screw Cat. No. 013.20.949 for screw-fixed version separately.

Supplementary products	► MB 9.32
Matrix Box P planning and installation	► MB 9.7
Cylindrical head screw (for front fixing)	► MB 14.50

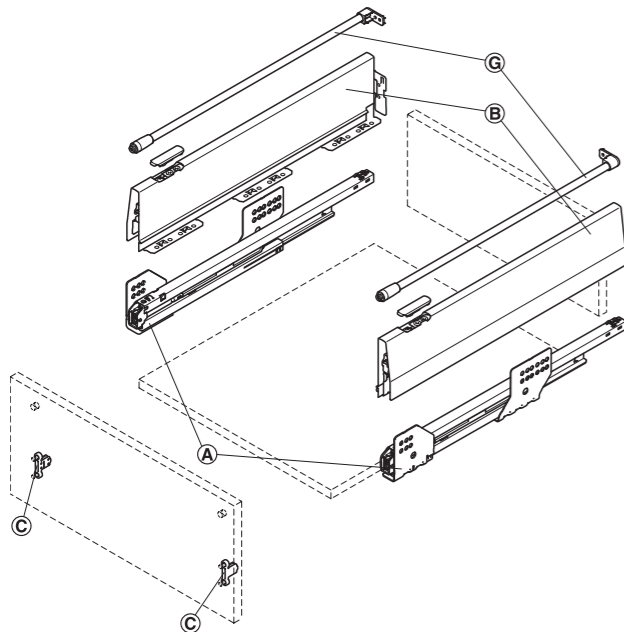


**Matrix Box P Pull out for door front fixing set**

Drawer side height 115 mm, with side railing, round

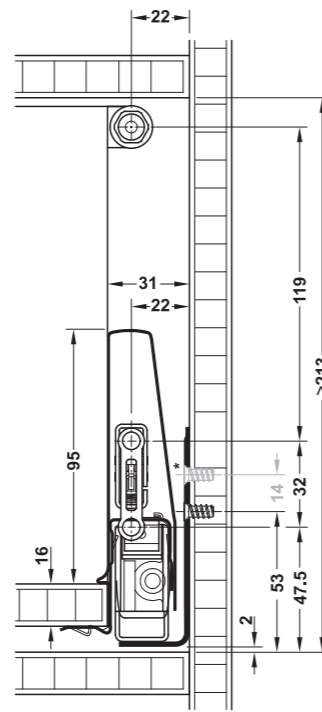


- > Colour of railing matches the drawer sides
- > Tilting angle of front panel adjustable by rotating the gallery rail  $\pm 2$  mm
- > Additional stability for high pull outs for door front fixing



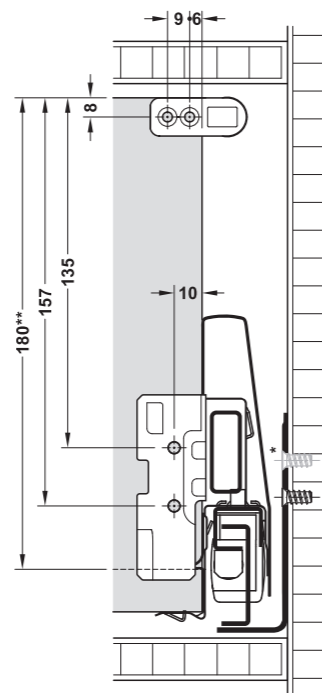
- Ⓐ Cabinet runner
- Ⓑ Drawer sides with cover caps
- Ⓒ Front fixing bracket
- Ⓓ Side railing set, round

**Internal installation height**



\* Top row series drilled holes and fixing screws are not required for sets with load bearing capacity of 35 kg.

**Rear panel installation dimensions**



\*\* Rear panel height

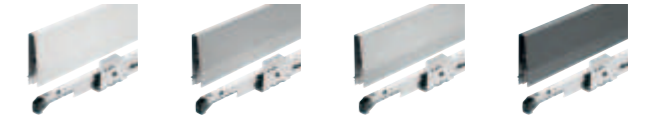
- > Type of pull out: Full extension, with integrated Smuso soft closing mechanism and self closing mechanism, with integrated rear panel fitting
- > Material: Steel, railing holder: Plastic
- > Finish: Drawer sides and railing: Powder coated, cabinet runner: Zinc plated
- > Dim.: Gallery rail:  $\varnothing$  11 mm

DGH-M 2017, HDE-en,10/16; Dimensional data not binding. We reserve the right to alter specifications without notice.

→ Full extension, with integrated soft closing and self closing mechanisms

**Supplied with**

- 1 left and 1 right drawer side with rear panel fitting
- 1 left and 1 right cabinet runner
- 1 left and 1 right cover cap with logo relief
- 1 side railing set, round (gallery rail, front bracket, rear panel fitting)



Nom. length mm	White	Grey	Metallic silver	Metallic anthracite
<b>Load bearing capacity 35 kg, Matrix Box P35 pull out for door front fixing set, drawer side height 115 mm, with side railing, round</b>				
270	513.17.700	513.17.500	513.17.900	513.17.300
300	513.17.701	513.17.501	513.17.901	513.17.301
350	513.17.702	513.17.502	513.17.902	513.17.302
400	513.17.703	513.17.503	513.17.903	513.17.303
450	513.17.704	513.17.504	513.17.904	513.17.304
500	513.17.705	513.17.505	513.17.905	513.17.305
550	513.17.706	513.17.506	513.17.906	513.17.306
<b>Load bearing capacity 50 kg, Matrix Box P50 pull out for door front fixing set, drawer side height 115 mm, with side railing, round</b>				
400	551.32.723	551.32.523	551.32.923	551.32.323
450	551.32.724	551.32.524	551.32.924	551.32.324
500	551.32.725	551.32.525	551.32.925	551.32.325
550	551.32.726	551.32.526	551.32.926	551.32.326
600	551.32.727	551.32.527	551.32.927	551.32.327
650	551.32.728	551.32.528	551.32.928	551.32.328
<b>Load bearing capacity 70 kg, Matrix Box P70 pull out for door front fixing set, drawer side height 115 mm, with side railing, round</b>				
550	551.32.746	551.32.546	551.32.946	551.32.346
600	551.32.747	551.32.547	551.32.947	551.32.347
650	551.32.748	551.32.548	551.32.948	551.32.348

Packing: 1 set

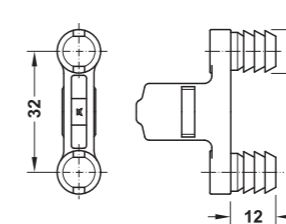
**Order reference**

Front fixing brackets Ⓒ for drawer not supplied, please order separately.

**Front fixing bracket Ⓒ**



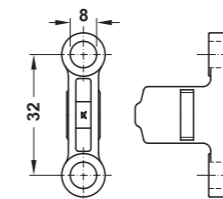
For press fitting



For press fitting



For screw fixing



For screw fixing

> Material: Zinc alloy

Version	Cat. No.
For press fitting	553.59.995
For screw fixing	553.59.991

Packing: 1 or 100 pieces

**Order reference**

Please order fixing screw Cat. No. 013.20.949 for screw-fixed version separately.

Subdivision with cross railing	► MB 9.34
Supplementary products	► MB 9.32
Matrix Box P planning and installation	► MB 9.7
Cylindrical head screw (for front fixing)	► MB 14.50





**Matrix Box P Pull out for door front fixing set**

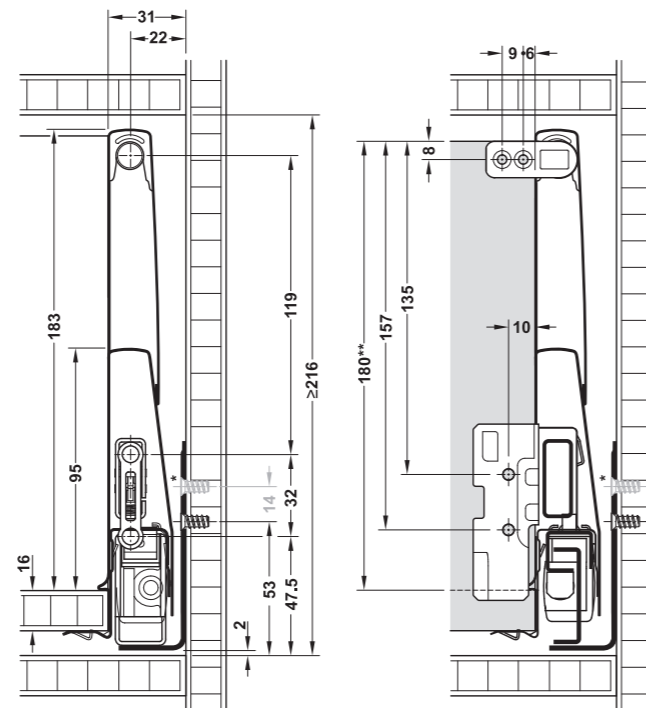
Drawer side height 115 mm, with height extension side panels



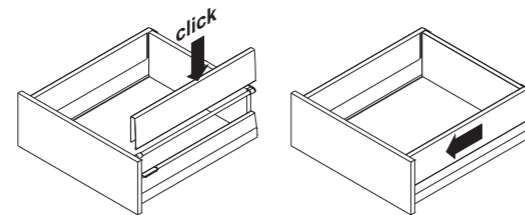
- > Tilting angle of front panel adjustable by rotating the gallery rail  $\pm 2$  mm
- > Tall kitchen items cannot fall out or fall over due to the enclosed height extension side panels
- > Can be retrofitted onto round railing when observing the given installation height
- > Matches the colour of the drawer sides
- > Additional stability for high pull outs for door front fixing

**Internal installation height**

**Rear panel installation dimensions**

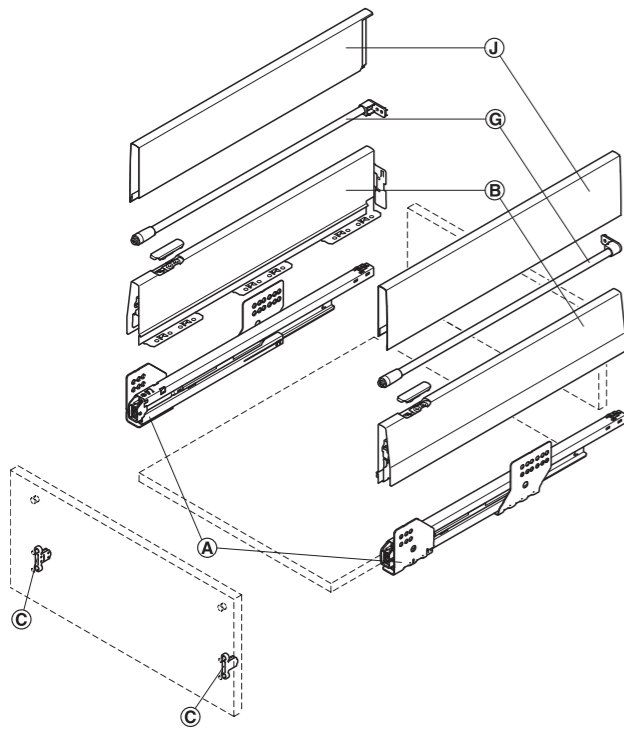


\* Top row series drilled holes and fixing screws are not required for sets with load bearing capacity of 35 kg.  
\*\* Rear panel height

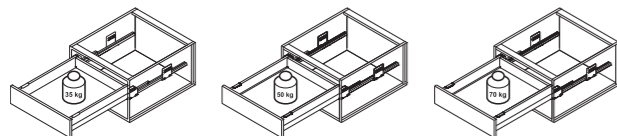


Mount the side railing precisely according to the installation drawing when using individual rear panel heights.

- > Type of pull out: Full extension, with integrated Smuso soft closing mechanism and self closing mechanism, with integrated rear panel fitting
- > Material: Steel
- > Finish: Drawer sides and height extension side panels: Powder coated, cabinet runner: Zinc plated
- > Area of application: For increasing the height of the enclosed internal space of the pull out by 88 mm to a total height of 183 mm



- A Cabinet runner
- B Drawer sides with cover caps
- C Front fixing bracket
- G Side railing set
- J Height extension side panel

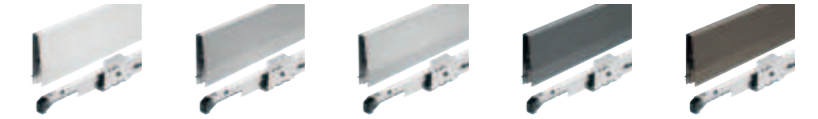


DGH-M 2017, HDE-en,10/16; Dimensional data not binding. We reserve the right to alter specifications without notice.

→ Full extension, with integrated soft closing and self closing mechanisms

**Supplied with**

- 1 left and 1 right drawer side with rear panel fitting
- 1 left and 1 right cabinet runner
- 1 left and 1 right cover cap with logo relief
- 1 side railing set (gallery rail, front bracket, rear panel fitting)
- 2 height extension side panels



Nom. length mm	White	Grey	Metallic silver	Metallic anthracite	Metallic bronze brown
<b>Load bearing capacity 35 kg, Matrix Box P35 pull out for door front fixing set, drawer side height 115 mm, with height extension side panels</b>					
270	513.15.700	513.15.500	513.15.900	513.15.300	513.15.100
300	513.15.701	513.15.501	513.15.901	513.15.301	513.15.101
350	513.15.702	513.15.502	513.15.902	513.15.302	513.15.102
400	513.15.703	513.15.503	513.15.903	513.15.303	513.15.103
450	513.15.704	513.15.504	513.15.904	513.15.304	513.15.104
500	513.15.705	513.15.505	513.15.905	513.15.305	513.15.105
550	513.15.706	513.15.506	513.15.906	513.15.306	513.15.106

**Load bearing capacity 50 kg, Matrix Box P50 pull out for door front fixing set, drawer side height 115 mm, with height extension side panels**

400	551.30.723	551.30.523	551.30.923	551.30.323	551.30.123
450	551.30.724	551.30.524	551.30.924	551.30.324	551.30.124
500	551.30.725	551.30.525	551.30.925	551.30.325	551.30.125
550	551.30.726	551.30.526	551.30.926	551.30.326	551.30.126
600	551.30.727	551.30.527	551.30.927	551.30.327	551.30.127
650	551.30.728	551.30.528	551.30.928	551.30.328	551.30.128

**Load bearing capacity 70 kg, Matrix Box P70 pull out for door front fixing set, drawer side height 115 mm, with height extension side panels**

550	551.30.746	551.30.546	551.30.946	551.30.346	551.30.146
600	551.30.747	551.30.547	551.30.947	551.30.347	551.30.147
650	551.30.748	551.30.548	551.30.948	551.30.348	551.30.148

Packing: 1 set

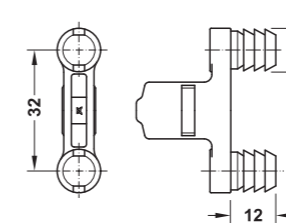
**Order reference**

Front fixing brackets C for drawer not supplied, please order separately.

**Front fixing bracket C**



For press fitting



For press fitting

> Material: Zinc alloy

Version	Cat. No.
For press fitting	553.59.995
For screw fixing	553.59.991

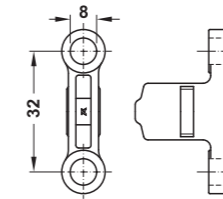
Packing: 1 or 100 pieces

**Order reference**

Please order fixing screw Cat. No. 013.20.949 for screw-fixed version separately.



For screw fixing



For screw fixing

Supplementary products	► MB 9.32
Matrix Box P planning and installation	► MB 9.7
Cylindrical head screw (for front fixing)	► MB 14.50

DGH-M 2017, HDE-en,10/16; Dimensional data not binding. We reserve the right to alter specifications without notice.

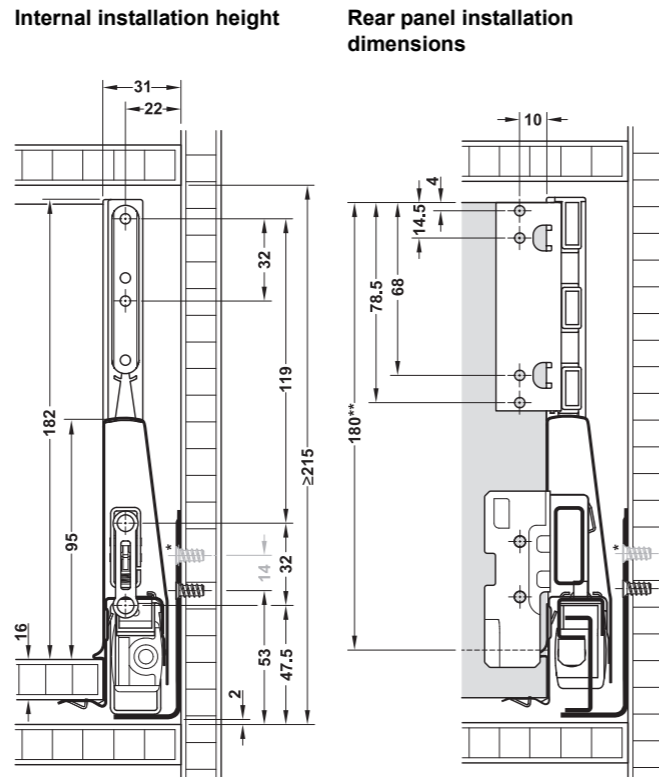


**Matrix Box P Pull out for door front fixing set**

Drawer side height 115 mm, with panel holder

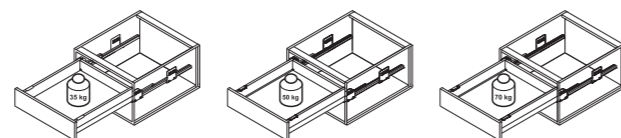


- > For individual panel design with material thickness 8 mm made from e.g. glass, wood, acrylic,...
- > Tilting angle adjustment of front panel at panel holder ±2 mm
- > Additional stability for high pull outs for door front fixing



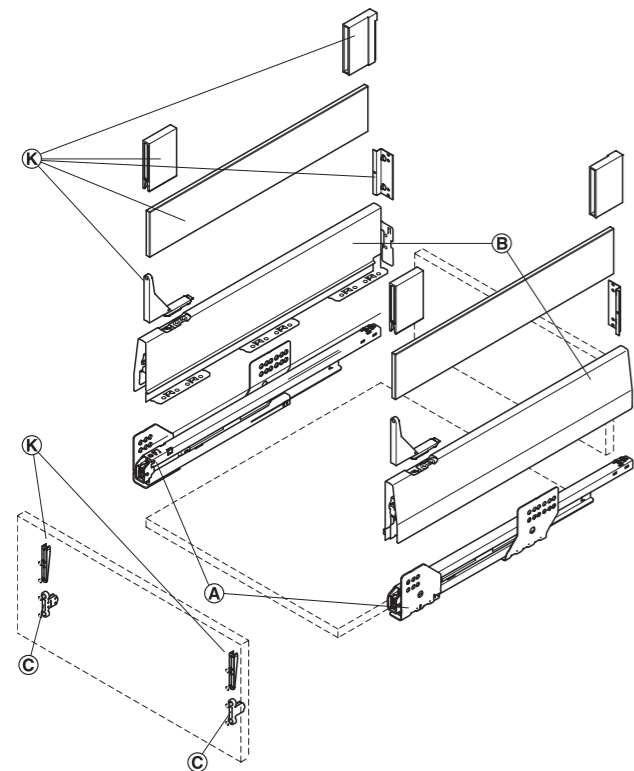
\* Top row series drilled holes and fixing screws are not required for sets with load bearing capacity of 35 kg.  
\*\* Rear panel height

- > Type of pull out: Full extension, with integrated Smuso soft closing mechanism and self closing mechanism, with integrated rear panel fitting
- > Material: Steel (panel holder with plastic cover cap)
- > Finish: Drawer sides and panel holder: Powder coated, cabinet runner: Zinc plated
- > Adjustment facility: The tilting angle of the drawer front panel can be adjusted using slotted screw
- > Installation: For placing onto drawer sides, for screw fixing to drawer front panel and rear panel, cover caps for plug fitting

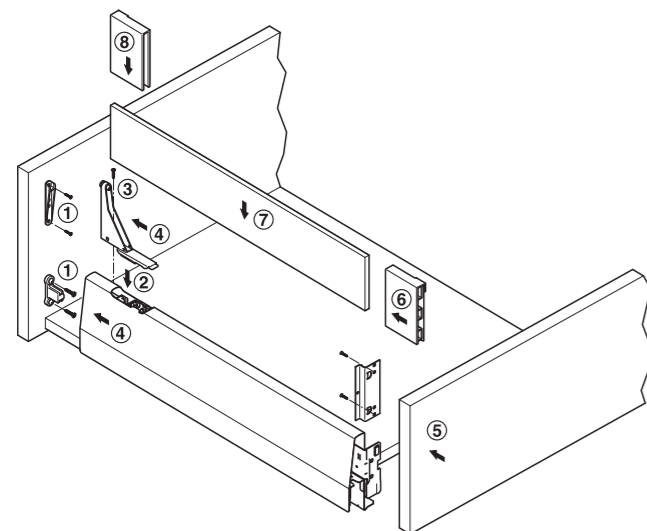


DGH-M 2017, HDE-en,10/16; Dimensional data not binding. We reserve the right to alter specifications without notice.

Drawer and Pull Out for Door Front Fixing



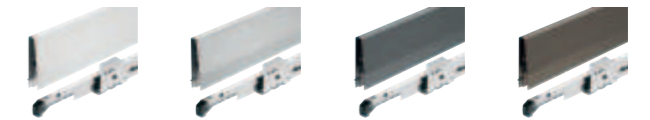
**Installation**



→ Full extension, with integrated soft closing and self closing mechanisms

**Supplied with**

- 1 left and 1 right drawer side with rear panel fitting
- 1 left and 1 right cabinet runner
- 1 left and 1 right cover cap with Häfele logo relief
- 1 lateral panel set (front bracket, panel holders, cover caps, rear panel fitting)



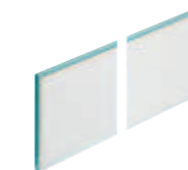
Nom. length mm	White	Metallic silver	Metallic anthracite	Metallic bronze brown
<b>Load bearing capacity 35 kg, Matrix Box P35 pull out for door front fixing set, drawer side height 115 mm, with panel holder</b>				
270	513.19.760	513.19.960	513.19.360	513.19.160
300	513.19.761	513.19.961	513.19.361	513.19.161
350	513.19.762	513.19.962	513.19.362	513.19.162
400	513.19.763	513.19.963	513.19.363	513.19.163
450	513.19.764	513.19.964	513.19.364	513.19.164
500	513.19.765	513.19.965	513.19.365	513.19.165
550	513.19.766	513.19.966	513.19.366	513.19.166
<b>Load bearing capacity 50 kg, Matrix Box P50 pull out for door front fixing set, drawer side height 115 mm, with panel holder</b>				
400	551.37.773	551.37.973	551.37.373	551.37.173
450	551.37.774	551.37.974	551.37.374	551.37.174
500	551.37.775	551.37.975	551.37.375	551.37.175
550	551.37.776	551.37.976	551.37.376	551.37.176
600	551.37.777	551.37.977	551.37.377	551.37.177
650	551.37.778	551.37.978	551.37.378	551.37.178
<b>Load bearing capacity 70 kg, Matrix Box P70 pull out for door front fixing set, drawer side height 115 mm, with panel holder</b>				
550	551.37.786	551.37.986	551.37.386	551.37.186
600	551.37.787	551.37.987	551.37.387	551.37.187
650	551.37.788	551.37.988	551.37.388	551.37.188

Packing: 1 set

**Order reference**

Front fixing brackets © and glass panel for drawer not supplied, please order separately.

**Glass panel**

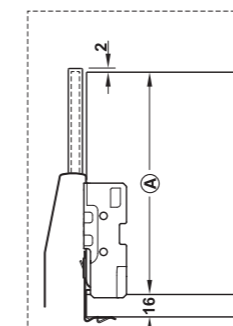


- > Version: Edges ground and chamfered
- > Glass thickness: 8 mm

**Installation dimensions**

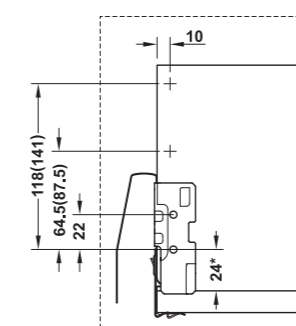
Please note with individually manufactured panels:

- > Material thickness 8 mm
- > Height 82 mm
- > Panel length = nominal length – 45 mm



Rear panel height (A) = 157 (180) mm

Dim. without brackets = drawer side height 92 mm  
Dim. in brackets = drawer side height 115 mm



Drilling pattern for rear panel fitting

Nom. length mm	Flint glass, clear	Flint glass, satin frosted
270	553.60.440	553.60.140
300	553.60.441	553.60.141
350	553.60.442	553.60.142
400	553.60.443	553.60.143
450	553.60.444	553.60.144
500	553.60.445	553.60.145
550	553.60.446	553.60.146
600	553.60.447	553.60.147
650	553.60.448	553.60.148
700	553.60.449	553.60.149

Packing: 1 pair

Front fixing bracket ©	► MB 9.19
Supplementary products	► MB 9.32
Matrix Box P planning and installation	► MB 9.7

Drawer and Pull Out for Door Front Fixing

17.07.2019  
ID 4536

12.02.2020  
ID 4726

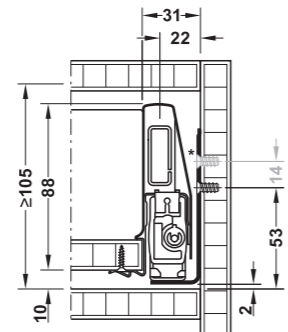


**Matrix Box P VIS Internal drawer set**

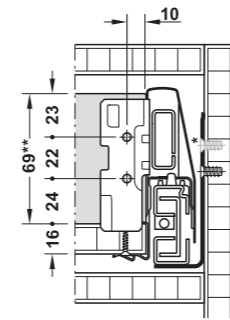
Drawer side height 92 mm, with front panel



Internal installation height



Rear panel installation dimensions



\* Top row series drilled holes and fixing screws are not required for sets with load bearing capacity of 35 kg.

\*\* Rear panel height

- > Type of pull out: Full extension, with integrated Smuso soft closing mechanism and self closing mechanism, with integrated rear panel fitting
- > Material: Steel, panel holder: Plastic, panel: Aluminium
- > Finish: Drawer sides and panel: Powder coated, cabinet runner: Zinc plated

**Supplied with**

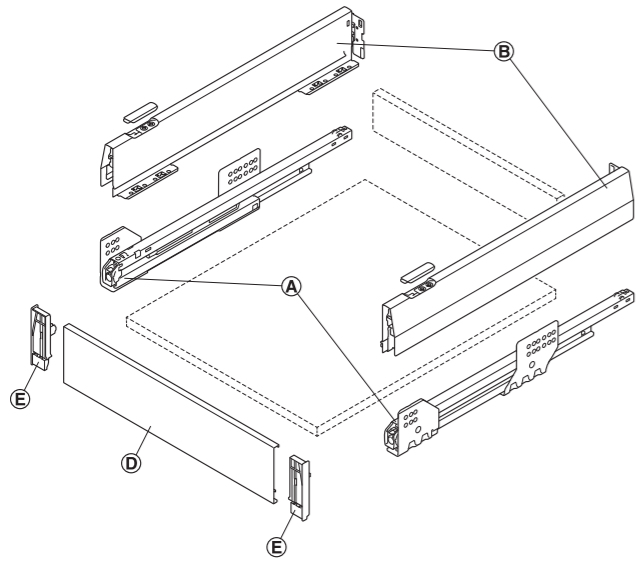
- 1 left and 1 right drawer side with rear panel fitting
- 1 left and 1 right cabinet runner
- 1 left and 1 right cover cap with logo relief
- 1 panel suitable for specified cabinet width (with side panel thickness 16 mm)
- 1 left and 1 right panel holder

**Order reference**

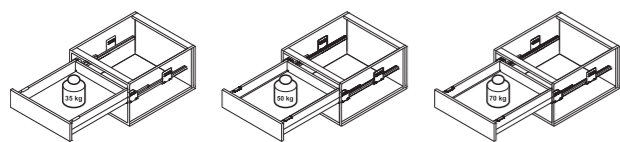
We recommend using the front panel stabilising plate  
Cat. No. 553.61.780 for panels ≥600 mm.

Supplementary products	► MB 9.32
Matrix Box P VIS planning and installation	► MB 9.8

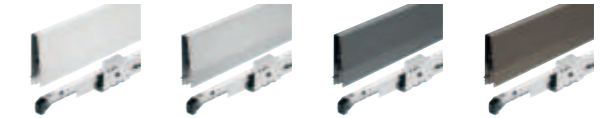
DGH-M 2017, HDE-en,10/16; Dimensional data not binding. We reserve the right to alter specifications without notice.



- (A) Cabinet runner
- (B) Drawer sides with cover caps
- (D) Panel for internal drawer
- (E) Panel holder for internal drawer



→ Full extension, with integrated soft closing and self closing mechanisms



Cabinet width mm	Nom. length mm	White	Metallic silver	Metallic anthracite	Metallic bronze brown	
<b>Load bearing capacity 35 kg, Matrix Box P35 VIS internal drawer set, drawer side height 92 mm, with panel</b>						
600	270	513.06.760	513.06.960	513.06.360	513.06.160	
	300	513.06.761	513.06.961	513.06.361	513.06.161	
	350	513.06.762	513.06.962	513.06.362	513.06.162	
	400	513.06.763	513.06.963	513.06.363	513.06.163	
	450	513.06.764	513.06.964	513.06.364	513.06.164	
	500	513.06.765	513.06.965	513.06.365	513.06.165	
900	550	513.06.766	513.06.966	513.06.366	513.06.166	
	270	513.06.770	513.06.970	513.06.370	513.06.170	
	300	513.06.771	513.06.971	513.06.371	513.06.171	
	350	513.06.772	513.06.972	513.06.372	513.06.172	
	400	513.06.773	513.06.973	513.06.373	513.06.173	
	450	513.06.774	513.06.974	513.06.374	513.06.174	
1200	500	513.06.775	513.06.975	513.06.375	513.06.175	
	550	513.06.776	513.06.976	513.06.376	513.06.176	
	270	513.06.780	513.06.980	513.06.380	513.06.180	
	300	513.06.781	513.06.981	513.06.381	513.06.181	
	350	513.06.782	513.06.982	513.06.382	513.06.182	
	400	513.06.783	513.06.983	513.06.383	513.06.183	
600	450	513.06.784	513.06.984	513.06.384	513.06.184	
	500	513.06.785	513.06.985	513.06.385	513.06.185	
	550	513.06.786	513.06.986	513.06.386	513.06.186	
	<b>Load bearing capacity 50 kg, Matrix Box P50 VIS internal drawer set, drawer side height 92 mm, with panel</b>					
	600	400	513.40.703	513.40.903	513.40.303	513.40.103
		450	513.40.704	513.40.904	513.40.304	513.40.104
500		513.40.705	513.40.905	513.40.305	513.40.105	
550		513.40.706	513.40.906	513.40.306	513.40.106	
600		513.40.707	513.40.907	513.40.307	513.40.107	
650		513.40.708	513.40.908	513.40.308	513.40.108	
900	400	513.40.713	513.40.913	513.40.313	513.40.113	
	450	513.40.714	513.40.914	513.40.314	513.40.114	
	500	513.40.715	513.40.915	513.40.315	513.40.115	
	550	513.40.716	513.40.916	513.40.316	513.40.116	
	600	513.40.717	513.40.917	513.40.317	513.40.117	
	650	513.40.718	513.40.918	513.40.318	513.40.118	
1200	400	513.40.723	513.40.923	513.40.323	513.40.123	
	450	513.40.724	513.40.924	513.40.324	513.40.124	
	500	513.40.725	513.40.925	513.40.325	513.40.125	
	550	513.40.726	513.40.926	513.40.326	513.40.126	
	600	513.40.727	513.40.927	513.40.327	513.40.127	
	650	513.40.728	513.40.928	513.40.328	513.40.128	
<b>Load bearing capacity 70 kg, Matrix Box P70 VIS internal drawer set, drawer side height 92 mm, with panel</b>						
600	550	513.40.736	513.40.936	513.40.336	513.40.136	
	600	513.40.737	513.40.937	513.40.337	513.40.137	
	650	513.40.738	513.40.938	513.40.338	513.40.138	
900	550	513.40.746	513.40.946	513.40.346	513.40.146	
	600	513.40.747	513.40.947	513.40.347	513.40.147	
	650	513.40.748	513.40.948	513.40.348	513.40.148	
1200	550	513.40.756	513.40.956	513.40.356	513.40.156	
	600	513.40.757	513.40.957	513.40.357	513.40.157	
	650	513.40.758	513.40.958	513.40.358	513.40.158	

Packing: 1 set

DGH-M 2017, HDE-en,10/16; Dimensional data not binding. We reserve the right to alter specifications without notice.

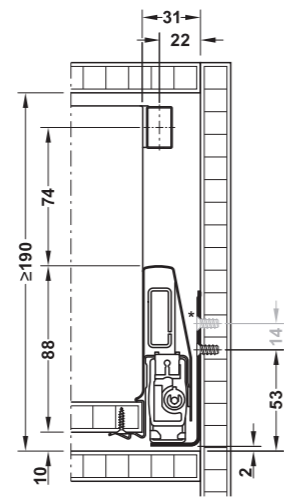


**Matrix Box P VIS Internal pull out set**

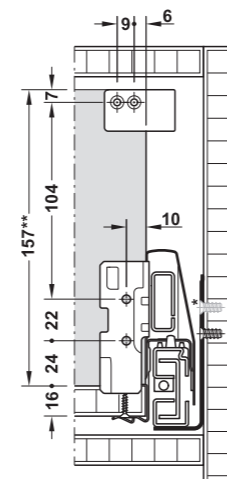
Drawer side height 92 mm, with front panel and side railing, rectangular



Internal installation height



Rear panel installation dimensions



\* Top row series drilled holes and fixing screws are not required for sets with load bearing capacity of 35 kg.

\*\* Rear panel height

- > Type of pull out: Full extension, with integrated Smuso soft closing mechanism and self closing mechanism, with integrated rear panel fitting
- > Material: Steel, panel holder: Plastic, panel: Aluminium, Drawer sides, side railing and panel: powder coated, cabinet runner: Zinc plated

**Supplied with**

- 1 left and 1 right drawer side with rear panel fitting
- 1 left and 1 right cabinet runner
- 1 left and 1 right cover cap with logo relief
- 1 left and 1 right panel holder
- 1 panel suitable for specified cabinet width (with side panel thickness 16 mm)
- 1 side railing set, rectangular (gallery rail, rear panel fitting)

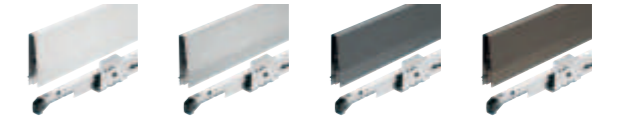
**Order reference**

We recommend using the front panel stabilising plate  
Cat. No. 553.61.780 for panels ≥600 mm.

Supplementary products	▶ MB 9.32
Matrix Box P VIS planning and installation	▶ MB 9.8

DGH-M 2017, HDE-en,10/16; Dimensional data not binding. We reserve the right to alter specifications without notice.

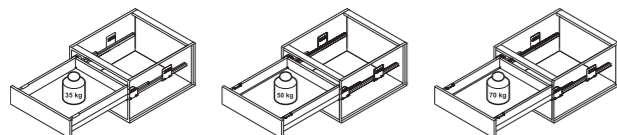
→ Full extension, with integrated soft closing and self closing mechanisms



Cabinet width mm	Nom. length mm	White	Metallic silver	Metallic anthracite	Metallic bronze brown
<b>Load bearing capacity 35 kg, Matrix Base P35 VIS internal pull out set, drawer side height 92 mm, with panel and side railing</b>					
600	270	513.08.760	513.08.960	513.08.360	513.08.160
	300	513.08.761	513.08.961	513.08.361	513.08.161
	350	513.08.762	513.08.962	513.08.362	513.08.162
	400	513.08.763	513.08.963	513.08.363	513.08.163
	450	513.08.764	513.08.964	513.08.364	513.08.164
	500	513.08.765	513.08.965	513.08.365	513.08.165
900	270	513.08.770	513.08.970	513.08.370	513.08.170
	300	513.08.771	513.08.971	513.08.371	513.08.171
	350	513.08.772	513.08.972	513.08.372	513.08.172
	400	513.08.773	513.08.973	513.08.373	513.08.173
	450	513.08.774	513.08.974	513.08.374	513.08.174
	500	513.08.775	513.08.975	513.08.375	513.08.175
1200	270	513.08.780	513.08.980	513.08.380	513.08.180
	300	513.08.781	513.08.981	513.08.381	513.08.181
	350	513.08.782	513.08.982	513.08.382	513.08.182
	400	513.08.783	513.08.983	513.08.383	513.08.183
	450	513.08.784	513.08.984	513.08.384	513.08.184
	500	513.08.785	513.08.985	513.08.385	513.08.185
600	400	513.42.703	513.42.903	513.42.303	513.42.103
	450	513.42.704	513.42.904	513.42.304	513.42.104
	500	513.42.705	513.42.905	513.42.305	513.42.105
	550	513.42.706	513.42.906	513.42.306	513.42.106
	600	513.42.707	513.42.907	513.42.307	513.42.107
	650	513.42.708	513.42.908	513.42.308	513.42.108
900	400	513.42.713	513.42.913	513.42.313	513.42.113
	450	513.42.714	513.42.914	513.42.314	513.42.114
	500	513.42.715	513.42.915	513.42.315	513.42.115
	550	513.42.716	513.42.916	513.42.316	513.42.116
	600	513.42.717	513.42.917	513.42.317	513.42.117
	650	513.42.718	513.42.918	513.42.318	513.42.118
1200	400	513.42.723	513.42.923	513.42.323	513.42.123
	450	513.42.724	513.42.924	513.42.324	513.42.124
	500	513.42.725	513.42.925	513.42.325	513.42.125
	550	513.42.726	513.42.926	513.42.326	513.42.126
	600	513.42.727	513.42.927	513.42.327	513.42.127
	650	513.42.728	513.42.928	513.42.328	513.42.128
<b>Load bearing capacity 70 kg, Matrix Base P70 VIS internal pull out set, drawer side height 92 mm, with panel and side railing</b>					
600	550	513.42.736	513.42.936	513.42.336	513.42.136
	600	513.42.737	513.42.937	513.42.337	513.42.137
	650	513.42.738	513.42.938	513.42.338	513.42.138
900	550	513.42.746	513.42.946	513.42.346	513.42.146
	600	513.42.747	513.42.947	513.42.347	513.42.147
	650	513.42.748	513.42.948	513.42.348	513.42.148
1200	550	513.42.756	513.42.956	513.42.356	513.42.156
	600	513.42.757	513.42.957	513.42.357	513.42.157
	650	513.42.758	513.42.958	513.42.358	513.42.158

Packing: 1 set

DGH-M 2017, HDE-en,10/16; Dimensional data not binding. We reserve the right to alter specifications without notice.

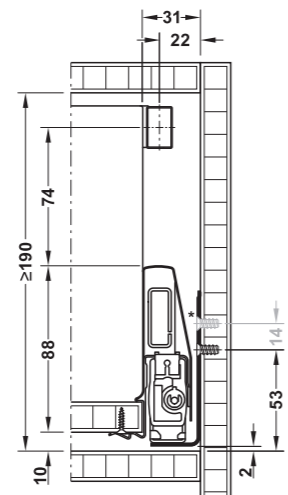


**Matrix Box P VIS Internal pull out set**

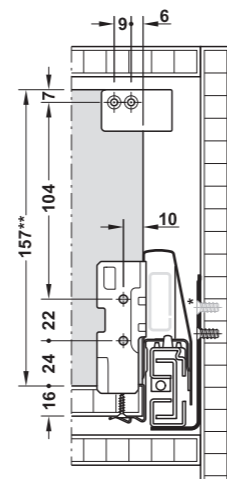
Drawer side height 92 mm, with front panel insert and side railing, rectangular



Internal installation height



Rear panel installation dimensions



\* Top row series drilled holes and fixing screws are not required for sets with load bearing capacity of 35 kg.

\*\* Rear panel height

- > Type of pull out: Full extension, with integrated Smuso soft closing mechanism and self closing mechanism, with integrated rear panel fitting
- > Material: Steel, panel holder set: Plastic, panel profile: Aluminium
- > Finish: Drawer sides, side railing and panel profile: Powder coated, cabinet runner: Zinc plated

**Supplied with**

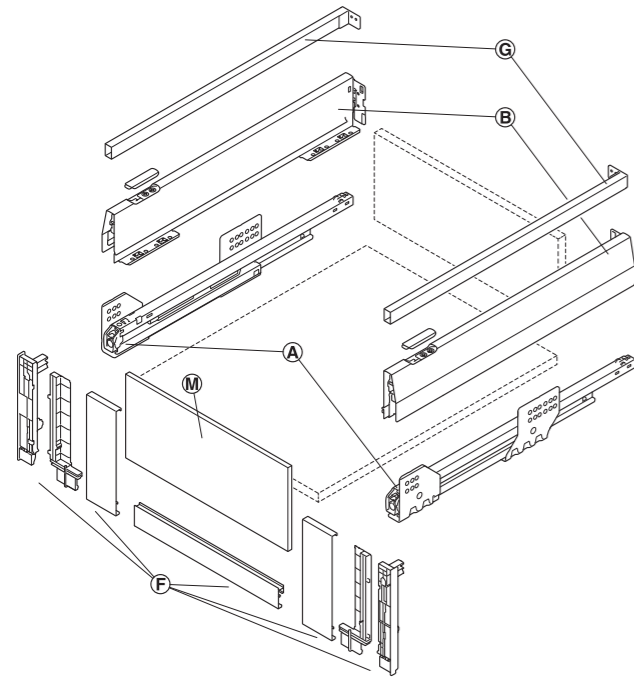
- 1 left and 1 right drawer side with rear panel fitting
- 1 left and 1 right cabinet runner
- 1 left and 1 right cover cap with logo relief
- 1 panel holder set
- 1 panel profile suitable for specified cabinet width (with side panel thickness 16 mm)
- 1 side railing set, rectangular (gallery rail, rear panel fitting)
- 3 front panel stabilising plates

**Order reference**

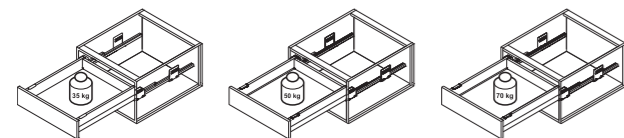
Front panel not supplied.  
Front panel made from clear flint glass or satin frosted flint glass is available separately.  
Any board material with thickness of 8 mm can be used instead of glass (optional).

Glass front panel	▶ MB 9.70
Supplementary products	▶ MB 9.32
Matrix Box P VIS planning and installation	▶ MB 9.8

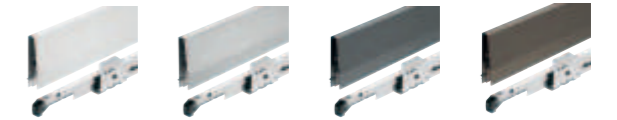
DGH-M 2017, HDE-en,10/16; Dimensional data not binding. We reserve the right to alter specifications without notice.



- (A) Cabinet runner
- (B) Drawer sides with cover caps
- (F) Panel holder set and panel profile
- (G) Side railing set, rectangular
- (M) Front panel



→ Full extension, with integrated soft closing and self closing mechanisms



Cabinet width mm	Nom. length mm	White	Metallic silver	Metallic anthracite	Metallic bronze brown
<b>Load bearing capacity 35 kg, Matrix Box P35 VIS internal pull out set, drawer side height 92 mm, with panel insert and side railing</b>					
600	270	513.44.700	513.44.900	513.44.300	513.44.100
	300	513.44.701	513.44.901	513.44.301	513.44.101
	350	513.44.702	513.44.902	513.44.302	513.44.102
	400	513.44.703	513.44.903	513.44.303	513.44.103
	450	513.44.704	513.44.904	513.44.304	513.44.104
	500	513.44.705	513.44.905	513.44.305	513.44.105
900	270	513.44.710	513.44.910	513.44.310	513.44.110
	300	513.44.711	513.44.911	513.44.311	513.44.111
	350	513.44.712	513.44.912	513.44.312	513.44.112
	400	513.44.713	513.44.913	513.44.313	513.44.113
	450	513.44.714	513.44.914	513.44.314	513.44.114
	500	513.44.715	513.44.915	513.44.315	513.44.115
1200	270	513.44.720	513.44.920	513.44.320	513.44.120
	300	513.44.721	513.44.921	513.44.321	513.44.121
	350	513.44.722	513.44.922	513.44.322	513.44.122
	400	513.44.723	513.44.923	513.44.323	513.44.123
	450	513.44.724	513.44.924	513.44.324	513.44.124
	500	513.44.725	513.44.925	513.44.325	513.44.125

**Load bearing capacity 50 kg, Matrix Box P50 VIS internal pull out set, drawer side height 92 mm, with panel insert and side railing**

600	400	513.44.733	513.44.933	513.44.333	513.44.133
	450	513.44.734	513.44.934	513.44.334	513.44.134
	500	513.44.735	513.44.935	513.44.335	513.44.135
	550	513.44.736	513.44.936	513.44.336	513.44.136
	600	513.44.737	513.44.937	513.44.337	513.44.137
	650	513.44.738	513.44.938	513.44.338	513.44.138
900	400	513.44.743	513.44.943	513.44.343	513.44.143
	450	513.44.744	513.44.944	513.44.344	513.44.144
	500	513.44.745	513.44.945	513.44.345	513.44.145
	550	513.44.746	513.44.946	513.44.346	513.44.146
	600	513.44.747	513.44.947	513.44.347	513.44.147
	650	513.44.748	513.44.948	513.44.348	513.44.148
1200	400	513.44.753	513.44.953	513.44.353	513.44.153
	450	513.44.754	513.44.954	513.44.354	513.44.154
	500	513.44.755	513.44.955	513.44.355	513.44.155
	550	513.44.756	513.44.956	513.44.356	513.44.156
	600	513.44.757	513.44.957	513.44.357	513.44.157
	650	513.44.758	513.44.958	513.44.358	513.44.158

**Load bearing capacity 70 kg, Matrix Box P70 VIS internal pull out set, drawer side height 92 mm, with panel insert and side railing**

600	550	513.44.766	513.44.966	513.44.366	513.44.166
	600	513.44.767	513.44.967	513.44.367	513.44.167
	650	513.44.768	513.44.968	513.44.368	513.44.168
900	550	513.44.776	513.44.976	513.44.376	513.44.176
	600	513.44.777	513.44.977	513.44.377	513.44.177
	650	513.44.778	513.44.978	513.44.378	513.44.178
1200	550	513.44.786	513.44.986	513.44.386	513.44.186
	600	513.44.787	513.44.987	513.44.387	513.44.187
	650	513.44.788	513.44.988	513.44.388	513.44.188

Packing: 1 set

DGH-M 2017, HDE-en,10/16; Dimensional data not binding. We reserve the right to alter specifications without notice.



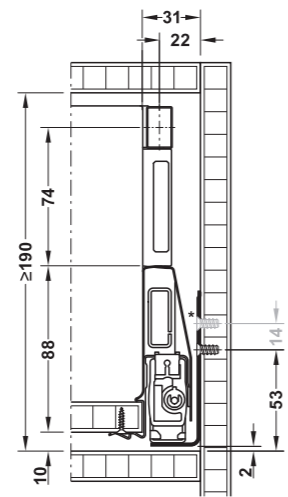


**Matrix Box P VIS Internal pull out set**

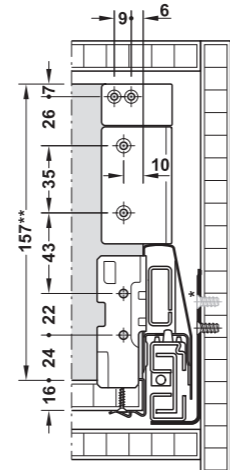
Drawer side height 92 mm, with front panel, rectangular side railing and holder for lateral panel



Internal installation height



Rear panel installation dimensions



\* Top row series drilled holes and fixing screws are not required for sets with load bearing capacity of 35 kg.

\*\* Rear panel height

- > Type of pull out: Full extension, with integrated Smuso soft closing mechanism and self closing mechanism, with integrated rear panel fitting
- > Material: Steel, panel holder and holder for lateral panel: Plastic, panel: Aluminium, Drawer sides, panel, side railing: Powder coated, cabinet runner: Zinc plated

**Supplied with**

- 1 left and 1 right drawer side with rear panel fitting
- 1 left and 1 right cabinet runner
- 1 left and 1 right cover cap with logo relief
- 1 left and 1 right panel holder
- 1 panel suitable for specified cabinet width (with side panel thickness 16 mm)
- 1 side railing set, rectangular (gallery rail, rear panel fitting)
- 2 rear panel holders for lateral panels

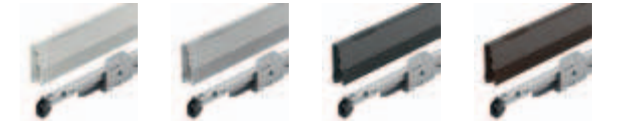
**Order reference**

Lateral panel not supplied. Lateral panel made from clear flint glass or satin frosted flint glass is available separately. Any board material with thickness of 8 mm can be used instead of glass (optional). We recommend using the front panel stabilising plate Cat. No. 553.61.780 for panels ≥600 mm.

Glass lateral panel	▶ MB 9.34
Supplementary products	▶ MB 9.32
Matrix Box P VIS planning and installation	▶ MB 9.8

DGH-M 2017, HDE-en,10/16; Dimensional data not binding. We reserve the right to alter specifications without notice.

→ Full extension, with integrated soft closing and self closing mechanisms



Cabinet width mm	Nom. length mm	White	Metallic silver	Metallic anthracite	Metallic bronze brown
<b>Load bearing capacity 35 kg, Matrix Box P35 VIS internal pull out set, drawer side height 92 mm, with panel, side railing and lateral panel</b>					
600	270	513.10.760	513.10.960	513.10.360	513.10.160
	300	513.10.761	513.10.961	513.10.361	513.10.161
	350	513.10.762	513.10.962	513.10.362	513.10.162
	400	513.10.763	513.10.963	513.10.363	513.10.163
	450	513.10.764	513.10.964	513.10.364	513.10.164
	500	513.10.765	513.10.965	513.10.365	513.10.165
900	270	513.10.770	513.10.970	513.10.370	513.10.170
	300	513.10.771	513.10.971	513.10.371	513.10.171
	350	513.10.772	513.10.972	513.10.372	513.10.172
	400	513.10.773	513.10.973	513.10.373	513.10.173
	450	513.10.774	513.10.974	513.10.374	513.10.174
	500	513.10.775	513.10.975	513.10.375	513.10.175
1200	270	513.10.780	513.10.980	513.10.380	513.10.180
	300	513.10.781	513.10.981	513.10.381	513.10.181
	350	513.10.782	513.10.982	513.10.382	513.10.182
	400	513.10.783	513.10.983	513.10.383	513.10.183
	450	513.10.784	513.10.984	513.10.384	513.10.184
	500	513.10.785	513.10.985	513.10.385	513.10.185
600	400	513.52.703	513.52.903	513.52.303	513.52.103
	450	513.52.704	513.52.904	513.52.304	513.52.104
	500	513.52.705	513.52.905	513.52.305	513.52.105
	550	513.52.706	513.52.906	513.52.306	513.52.106
	600	513.52.707	513.52.907	513.52.307	513.52.107
	650	513.52.708	513.52.908	513.52.308	513.52.108
900	400	513.52.713	513.52.913	513.52.313	513.52.113
	450	513.52.714	513.52.914	513.52.314	513.52.114
	500	513.52.715	513.52.915	513.52.315	513.52.115
	550	513.52.716	513.52.916	513.52.316	513.52.116
	600	513.52.717	513.52.917	513.52.317	513.52.117
	650	513.52.718	513.52.918	513.52.318	513.52.118
1200	400	513.52.723	513.52.923	513.52.323	513.52.123
	450	513.52.724	513.52.924	513.52.324	513.52.124
	500	513.52.725	513.52.925	513.52.325	513.52.125
	550	513.52.726	513.52.926	513.52.326	513.52.126
	600	513.52.727	513.52.927	513.52.327	513.52.127
	650	513.52.728	513.52.928	513.52.328	513.52.128
<b>Load bearing capacity 70 kg, Matrix Box P70 VIS internal pull out set, drawer side height 92 mm, with panel, side railing and lateral panel</b>					
600	550	513.52.736	513.52.936	513.52.336	513.52.136
	600	513.52.737	513.52.937	513.52.337	513.52.137
	650	513.52.738	513.52.938	513.52.338	513.52.138
900	550	513.52.746	513.52.946	513.52.346	513.52.146
	600	513.52.747	513.52.947	513.52.347	513.52.147
	650	513.52.748	513.52.948	513.52.348	513.52.148
1200	550	513.52.756	513.52.956	513.52.356	513.52.156
	600	513.52.757	513.52.957	513.52.357	513.52.157
	650	513.52.758	513.52.958	513.52.358	513.52.158

Packing: 1 set

DGH-M 2017, HDE-en,10/16; Dimensional data not binding. We reserve the right to alter specifications without notice.



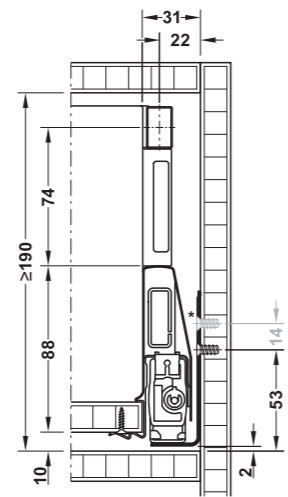


**Matrix Box P VIS Internal pull out set**

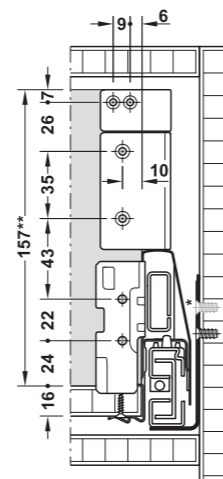
Drawer side height 92 mm, with front panel insert, rectangular side railing and holder for lateral panel



Internal installation height



Rear panel installation dimensions



\* Top row series drilled holes and fixing screws are not required for sets with load bearing capacity of 35 kg.

\*\* Rear panel height

- > Type of pull out: Full extension, with integrated Smuso soft closing mechanism and self closing mechanism, with integrated rear panel fitting
- > Material: Steel, panel holder set and holder for lateral panel: Plastic, panel profile: Aluminium
- > Finish: Drawer sides, panel, side railing: Powder coated, cabinet runner: Zinc plated

**Supplied with**

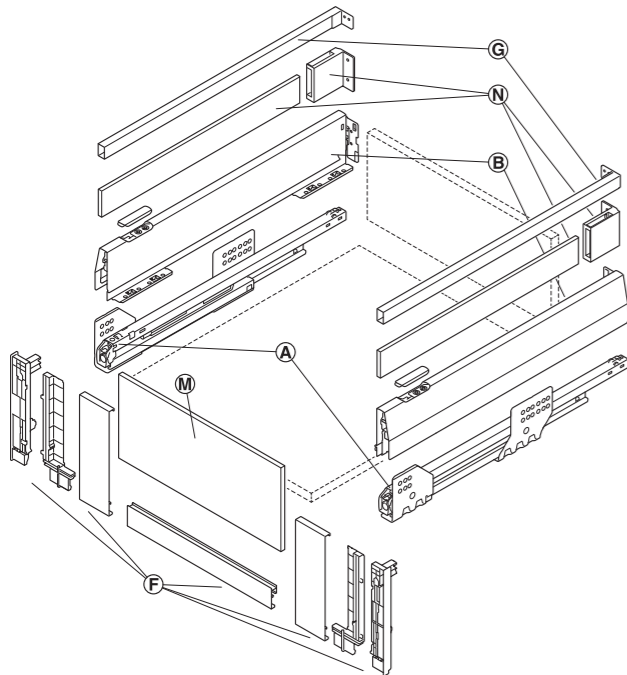
- 1 left and 1 right drawer side with rear panel fitting
- 1 left and 1 right cabinet runner
- 1 left and 1 right cover cap with logo relief
- 1 panel holder set
- 1 panel profile suitable for specified cabinet width (with side panel thickness 16 mm)
- 1 side railing set, rectangular (gallery rail, rear panel fitting)
- 2 rear panel holders for lateral panels
- 3 front panel stabilising plates

**Order reference**

Front panel and lateral panel not supplied. Front panel and lateral panel made from clear flint glass or satin frosted flint glass are available separately. Any board material with thickness of 8 mm can be used instead of glass (optional).

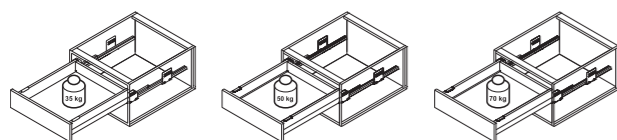
Glass front panel	▶ MB 9.70
Glass lateral panel	▶ MB 9.71
Supplementary products	▶ MB 9.32
Matrix Box P VIS planning and installation	▶ MB 9.8

DGH-M 2017, HDE-en,10/16; Dimensional data not binding. We reserve the right to alter specifications without notice.

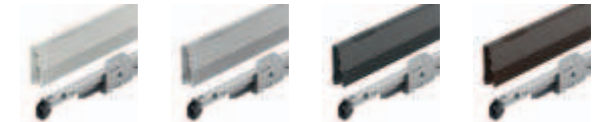


- A Cabinet runner
- B Drawer sides with cover caps
- F Panel holder set and panel profile
- G Side railing set, rectangular
- N Lateral panel and rear panel holder
- M Front panel

- > Tall kitchen items cannot fall out or fall over due to the enclosed lateral panels
- > Matches the colour of the drawer sides



→ Full extension, with integrated soft closing and self closing mechanisms



Cabinet width mm	Nom. length mm	White	Metallic silver	Metallic anthracite	Metallic bronze brown
<b>Load bearing capacity 35 kg, Matrix Box P35 VIS internal pull out set, drawer side height 92 mm, with panel insert, side railing and lateral panel</b>					
600	270	513.54.700	513.54.900	513.54.300	513.54.100
	300	513.54.701	513.54.901	513.54.301	513.54.101
	350	513.54.702	513.54.902	513.54.302	513.54.102
	400	513.54.703	513.54.903	513.54.303	513.54.103
	450	513.54.704	513.54.904	513.54.304	513.54.104
	500	513.54.705	513.54.905	513.54.305	513.54.105
900	270	513.54.710	513.54.910	513.54.310	513.54.110
	300	513.54.711	513.54.911	513.54.311	513.54.111
	350	513.54.712	513.54.912	513.54.312	513.54.112
	400	513.54.713	513.54.913	513.54.313	513.54.113
	450	513.54.714	513.54.914	513.54.314	513.54.114
	500	513.54.715	513.54.915	513.54.315	513.54.115
1200	270	513.54.720	513.54.920	513.54.320	513.54.120
	300	513.54.721	513.54.921	513.54.321	513.54.121
	350	513.54.722	513.54.922	513.54.322	513.54.122
	400	513.54.723	513.54.923	513.54.323	513.54.123
	450	513.54.724	513.54.924	513.54.324	513.54.124
	500	513.54.725	513.54.925	513.54.325	513.54.125

**Load bearing capacity 50 kg, Matrix Box P50 VIS internal pull out set, drawer side height 92 mm, with panel insert, side railing and lateral panel**

600	400	513.54.733	513.54.933	513.54.333	513.54.133
	450	513.54.734	513.54.934	513.54.334	513.54.134
	500	513.54.735	513.54.935	513.54.335	513.54.135
	550	513.54.736	513.54.936	513.54.336	513.54.136
	600	513.54.737	513.54.937	513.54.337	513.54.137
	650	513.54.738	513.54.938	513.54.338	513.54.138
900	400	513.54.743	513.54.943	513.54.343	513.54.143
	450	513.54.744	513.54.944	513.54.344	513.54.144
	500	513.54.745	513.54.945	513.54.345	513.54.145
	550	513.54.746	513.54.946	513.54.346	513.54.146
	600	513.54.747	513.54.947	513.54.347	513.54.147
	650	513.54.748	513.54.948	513.54.348	513.54.148
1200	400	513.54.753	513.54.953	513.54.353	513.54.153
	450	513.54.754	513.54.954	513.54.354	513.54.154
	500	513.54.755	513.54.955	513.54.355	513.54.155
	550	513.54.756	513.54.956	513.54.356	513.54.156
	600	513.54.757	513.54.957	513.54.357	513.54.157
	650	513.54.758	513.54.958	513.54.358	513.54.158

**Load bearing capacity 70 kg, Matrix Box P70 VIS internal pull out set, drawer side height 92 mm, with panel insert, side railing and lateral panel**

600	550	513.54.766	513.54.966	513.54.366	513.54.166
	600	513.54.767	513.54.967	513.54.367	513.54.167
	650	513.54.768	513.54.968	513.54.368	513.54.168
900	550	513.54.776	513.54.976	513.54.376	513.54.176
	600	513.54.777	513.54.977	513.54.377	513.54.177
	650	513.54.778	513.54.978	513.54.378	513.54.178
1200	550	513.54.786	513.54.986	513.54.386	513.54.186
	600	513.54.787	513.54.987	513.54.387	513.54.187
	650	513.54.788	513.54.988	513.54.388	513.54.188

Packing: 1 set

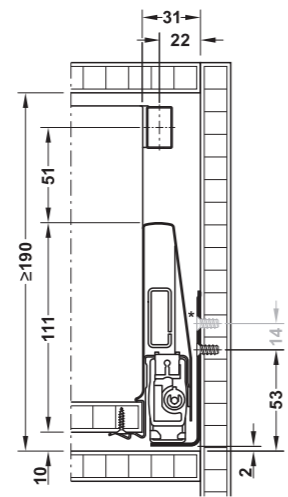
DGH-M 2017, HDE-en,10/16; Dimensional data not binding. We reserve the right to alter specifications without notice.

**Matrix Box P VIS Internal pull out set**

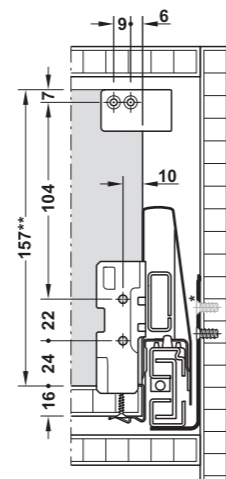
Drawer side height 115 mm, with front panel and side railing, rectangular



Internal installation height



Rear panel installation dimensions



\* Top row series drilled holes and fixing screws are not required for sets with load bearing capacity of 35 kg.

\*\* Rear panel height

- > Type of pull out: Full extension, with integrated Smuso soft closing mechanism and self closing mechanism, with integrated rear panel fitting
- > Material: Steel, panel holder: Plastic, panel: Aluminium
- > Finish: Drawer sides, side railing and panel: Powder coated, cabinet runner: Zinc plated

**Supplied with**

- 1 left and 1 right drawer side with rear panel fitting
- 1 left and 1 right cabinet runner
- 1 left and 1 right cover cap with logo relief
- 1 left and 1 right panel holder
- 1 panel suitable for specified cabinet width (with side panel thickness 16 mm)
- 1 side railing set, rectangular (gallery rail, rear panel fitting)

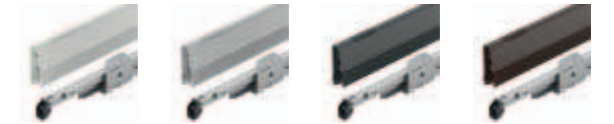
**Order reference**

We recommend using the front panel stabilising plate  
Cat. No. 553.61.780 for panels ≥600 mm.

Supplementary products	▶ MB 9.32
Matrix Box P VIS planning and installation	▶ MB 9.8

DGH-M 2017, HDE-en,10/16; Dimensional data not binding. We reserve the right to alter specifications without notice.

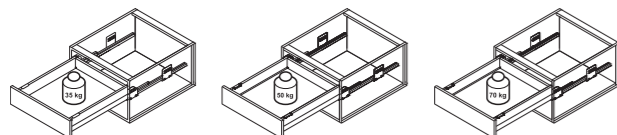
→ Full extension, with integrated soft closing and self closing mechanisms



Cabinet width mm	Nom. length mm	White	Metallic silver	Metallic anthracite	Metallic bronze brown	
<b>Load bearing capacity 35 kg, Matrix Box P35 VIS internal pull out set, drawer side height 115 mm, with panel and side railing</b>						
600	270	513.18.760	513.18.960	513.18.360	513.18.160	
	300	513.18.761	513.18.961	513.18.361	513.18.161	
	350	513.18.762	513.18.962	513.18.362	513.18.162	
	400	513.18.763	513.18.963	513.18.363	513.18.163	
	450	513.18.764	513.18.964	513.18.364	513.18.164	
	500	513.18.765	513.18.965	513.18.365	513.18.165	
900	270	513.18.770	513.18.970	513.18.370	513.18.170	
	300	513.18.771	513.18.971	513.18.371	513.18.171	
	350	513.18.772	513.18.972	513.18.372	513.18.172	
	400	513.18.773	513.18.973	513.18.373	513.18.173	
	450	513.18.774	513.18.974	513.18.374	513.18.174	
	500	513.18.775	513.18.975	513.18.375	513.18.175	
1200	270	513.18.780	513.18.980	513.18.380	513.18.180	
	300	513.18.781	513.18.981	513.18.381	513.18.181	
	350	513.18.782	513.18.982	513.18.382	513.18.182	
	400	513.18.783	513.18.983	513.18.383	513.18.183	
	450	513.18.784	513.18.984	513.18.384	513.18.184	
	500	513.18.785	513.18.985	513.18.385	513.18.185	
1200	550	513.18.786	513.18.986	513.18.386	513.18.186	
	<b>Load bearing capacity 50 kg, Matrix Box P50 VIS internal pull out set, drawer side height 115 mm, with panel and side railing</b>					
	600	400	513.46.703	513.46.903	513.46.303	513.46.103
		450	513.46.704	513.46.904	513.46.304	513.46.104
		500	513.46.705	513.46.905	513.46.305	513.46.105
		550	513.46.706	513.46.906	513.46.306	513.46.106
600		513.46.707	513.46.907	513.46.307	513.46.107	
650		513.46.708	513.46.908	513.46.308	513.46.108	
900	400	513.46.713	513.46.913	513.46.313	513.46.113	
	450	513.46.714	513.46.914	513.46.314	513.46.114	
	500	513.46.715	513.46.915	513.46.315	513.46.115	
	550	513.46.716	513.46.916	513.46.316	513.46.116	
	600	513.46.717	513.46.917	513.46.317	513.46.117	
	650	513.46.718	513.46.918	513.46.318	513.46.118	
1200	400	513.46.723	513.46.923	513.46.323	513.46.123	
	450	513.46.724	513.46.924	513.46.324	513.46.124	
	500	513.46.725	513.46.925	513.46.325	513.46.125	
	550	513.46.726	513.46.926	513.46.326	513.46.126	
	600	513.46.727	513.46.927	513.46.327	513.46.127	
	650	513.46.728	513.46.928	513.46.328	513.46.128	
<b>Load bearing capacity 70 kg, Matrix Box P70 VIS internal pull out set, drawer side height 115 mm, with panel and side railing</b>						
600	550	513.46.736	513.46.936	513.46.336	513.46.136	
	600	513.46.737	513.46.937	513.46.337	513.46.137	
	650	513.46.738	513.46.938	513.46.338	513.46.138	
900	550	513.46.746	513.46.946	513.46.346	513.46.146	
	600	513.46.747	513.46.947	513.46.347	513.46.147	
	650	513.46.748	513.46.948	513.46.348	513.46.148	
1200	550	513.46.756	513.46.956	513.46.356	513.46.156	
	600	513.46.757	513.46.957	513.46.357	513.46.157	
	650	513.46.758	513.46.958	513.46.358	513.46.158	

Packing: 1 set

DGH-M 2017, HDE-en,10/16; Dimensional data not binding. We reserve the right to alter specifications without notice.



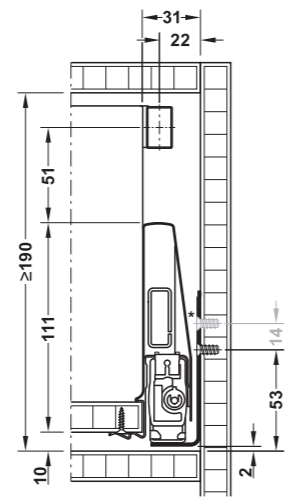


**Matrix Box P VIS Internal pull out set**

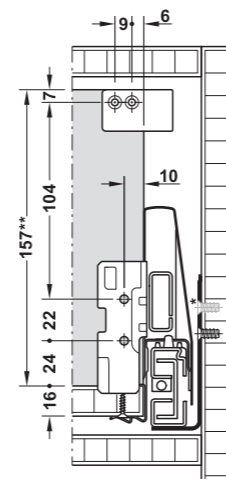
Drawer side height 115 mm, with front panel insert and side railing, rectangular



**Internal installation height**



**Rear panel installation dimensions**



\* Top row series drilled holes and fixing screws are not required for sets with load bearing capacity of 35 kg.

\*\* Rear panel height

- > Type of pull out: Full extension, with integrated Smuso soft closing mechanism and self closing mechanism, with integrated rear panel fitting
- > Material: Steel, panel holder set: Plastic, panel profile: Aluminium
- > Finish: Drawer sides, side railing and panel profile: Powder coated, cabinet runner: Zinc plated

**Supplied with**

- 1 left and 1 right drawer side with rear panel fitting
- 1 left and 1 right cabinet runner
- 1 left and 1 right cover cap with logo relief
- 1 panel holder set
- 1 panel profile suitable for specified cabinet width (with side panel thickness 16 mm)
- 1 side railing set, rectangular (gallery rail, rear panel fitting)
- 3 front panel stabilising plates

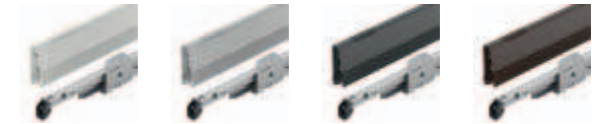
**Order reference**

Front panel not supplied. Front panel made from clear flint glass or satin frosted flint glass is available separately. Any board material with thickness of 8 mm can be used instead of glass (optional).

Glass front panel	▶ MB 9.70
Supplementary products	▶ MB 9.32
Matrix Box P VIS planning and installation	▶ MB 9.8

DGH-M 2017, HDE-en,10/16; Dimensional data not binding. We reserve the right to alter specifications without notice.

→ Full extension, with integrated soft closing and self closing mechanisms



Cabinet width mm	Nom. length mm	White	Metallic silver	Metallic anthracite	Metallic bronze brown
<b>Load bearing capacity 35 kg, Matrix Box P35 VIS internal pull out set, drawer side height 115 mm, with panel insert and side railing</b>					
600	270	513.48.700	513.48.900	513.48.300	513.48.100
	300	513.48.701	513.48.901	513.48.301	513.48.101
	350	513.48.702	513.48.902	513.48.302	513.48.102
	400	513.48.703	513.48.903	513.48.303	513.48.103
	450	513.48.704	513.48.904	513.48.304	513.48.104
	500	513.48.705	513.48.905	513.48.305	513.48.105
900	270	513.48.710	513.48.910	513.48.310	513.48.110
	300	513.48.711	513.48.911	513.48.311	513.48.111
	350	513.48.712	513.48.912	513.48.312	513.48.112
	400	513.48.713	513.48.913	513.48.313	513.48.113
	450	513.48.714	513.48.914	513.48.314	513.48.114
	500	513.48.715	513.48.915	513.48.315	513.48.115
1200	270	513.48.720	513.48.920	513.48.320	513.48.120
	300	513.48.721	513.48.921	513.48.321	513.48.121
	350	513.48.722	513.48.922	513.48.322	513.48.122
	400	513.48.723	513.48.923	513.48.323	513.48.123
	450	513.48.724	513.48.924	513.48.324	513.48.124
	500	513.48.725	513.48.925	513.48.325	513.48.125

**Load bearing capacity 50 kg, Matrix Box P50 VIS internal pull out set, drawer side height 115 mm, with panel insert and side railing**

600	400	513.48.733	513.48.933	513.48.333	513.48.133
	450	513.48.734	513.48.934	513.48.334	513.48.134
	500	513.48.735	513.48.935	513.48.335	513.48.135
	550	513.48.736	513.48.936	513.48.336	513.48.136
	600	513.48.737	513.48.937	513.48.337	513.48.137
	650	513.48.738	513.48.938	513.48.338	513.48.138
900	400	513.48.743	513.48.943	513.48.343	513.48.143
	450	513.48.744	513.48.944	513.48.344	513.48.144
	500	513.48.745	513.48.945	513.48.345	513.48.145
	550	513.48.746	513.48.946	513.48.346	513.48.146
	600	513.48.747	513.48.947	513.48.347	513.48.147
	650	513.48.748	513.48.948	513.48.348	513.48.148
1200	400	513.48.753	513.48.953	513.48.353	513.48.153
	450	513.48.754	513.48.954	513.48.354	513.48.154
	500	513.48.755	513.48.955	513.48.355	513.48.155
	550	513.48.756	513.48.956	513.48.356	513.48.156
	600	513.48.757	513.48.957	513.48.357	513.48.157
	650	513.48.758	513.48.958	513.48.358	513.48.158

**Load bearing capacity 70 kg, Matrix Box P70 VIS internal pull out set, drawer side height 115 mm, with panel insert and side railing**

600	550	513.48.766	513.48.966	513.48.366	513.48.166
	600	513.48.767	513.48.967	513.48.367	513.48.167
	650	513.48.768	513.48.968	513.48.368	513.48.168
900	550	513.48.776	513.48.976	513.48.376	513.48.176
	600	513.48.777	513.48.977	513.48.377	513.48.177
	650	513.48.778	513.48.978	513.48.378	513.48.178
1200	550	513.48.786	513.48.986	513.48.386	513.48.186
	600	513.48.787	513.48.987	513.48.387	513.48.187
	650	513.48.788	513.48.988	513.48.388	513.48.188

Packing: 1 set

DGH-M 2017, HDE-en,10/16; Dimensional data not binding. We reserve the right to alter specifications without notice.





**Matrix Box P Under sink pull out**  
Drawer side height 92 or 115 mm

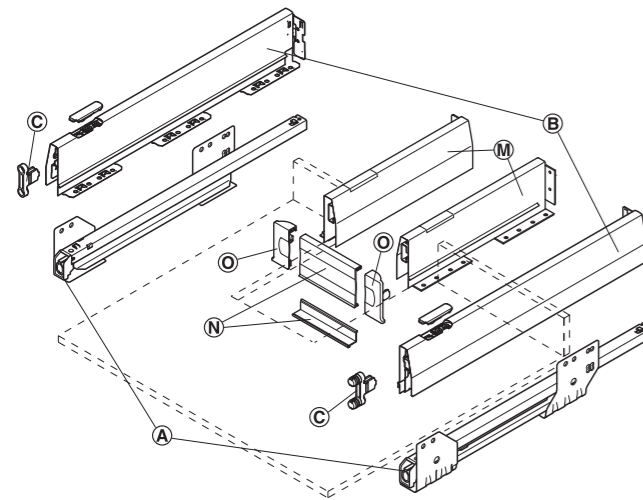


A complete under sink pull out consists of:  
 > Matrix Box P set (A) + (B) 92 or 115 mm (optional)  
 > Drawer sides (M)  
 > Panel set (N) + (O)  
 > Front fixing bracket (C)

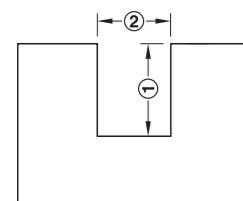
> Material: Steel  
 > Finish: Drawer sides: Powder coated, cabinet runner: Galvanized  
 > Version: Full extension, with integrated Smuso soft closing mechanism and self closing mechanism  
 > Load bearing capacity: 35, 50 or 70 kg

**Supplied with**  
 1 left and 1 right drawer side (M) with rear panel fitting  
 1 left and 1 right cabinet runner  
 1 left and 1 right cover cap with logo relief

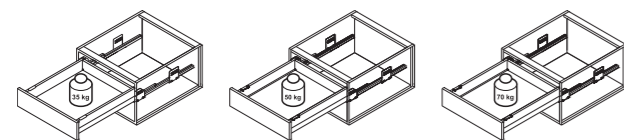
**Order reference**  
 Please order components for under sink pull out separately.



- (A) Cabinet runner
- (B) Drawer sides with cover caps
- (C) Front fixing bracket
- (O) Panel holder
- (N) Panel and cover profile
- (M) Drawer sides with cover caps



- ① Nominal length of drawer sides for sink cut-out – 2 mm
- ② Required internal dim. between the drawer sides for sink cut-out + 53 mm



Drawer and Pull Out for Door Front Fixing

DGH-M 2017, HDE-en,10/16; Dimensional data not binding. We reserve the right to alter specifications without notice.

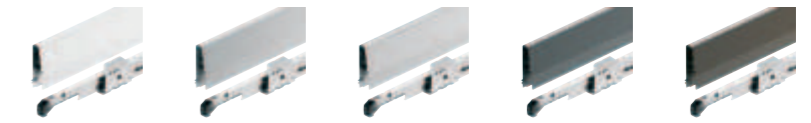
→ **Matrix Box P (A) + (B) Set**  
 For screw fixing to cabinet, drawer side height 92 mm



Nom. length mm	White	Grey	Metallic silver	Metallic anthracite	Metallic bronze brown
<b>Load bearing capacity 35 kg, Matrix Box P35</b>					
400	513.04.703	513.04.503	513.04.903	513.04.303	513.04.103
450	513.04.704	513.04.504	513.04.904	513.04.304	513.04.104
500	513.04.705	513.04.505	513.04.905	513.04.305	513.04.105
550	513.04.706	513.04.506	513.04.906	513.04.306	513.04.106
<b>Load bearing capacity 50 kg, Matrix Box P50</b>					
400	551.54.723	551.54.523	551.54.923	551.54.323	551.54.123
450	551.54.724	551.54.524	551.54.924	551.54.324	551.54.124
500	551.54.725	551.54.525	551.54.925	551.54.325	551.54.125
550	551.54.726	551.54.526	551.54.926	551.54.326	551.54.126
<b>Load bearing capacity 70 kg, Matrix Box P70</b>					
550	551.54.746	551.54.546	551.54.946	551.54.346	551.54.146

Packing: 1 set

→ **Matrix Box P (A) + (B) Set**  
 For screw fixing to cabinet, drawer side height 115 mm



Nom. length mm	White	Grey	Metallic silver	Metallic anthracite	Metallic bronze brown
<b>Load bearing capacity 35 kg, Matrix Box P35</b>					
400	513.14.703	513.14.503	513.14.903	513.14.303	513.14.103
450	513.14.704	513.14.504	513.14.904	513.14.304	513.14.104
500	513.14.705	513.14.505	513.14.905	513.14.305	513.14.105
550	513.14.706	513.14.506	513.14.906	513.14.306	513.14.106
<b>Load bearing capacity 50 kg, Matrix Box P50</b>					
400	551.74.723	551.74.523	551.74.923	551.74.323	551.74.123
450	551.74.724	551.74.524	551.74.924	551.74.324	551.74.124
500	551.74.725	551.74.525	551.74.925	551.74.325	551.74.125
550	551.74.726	551.74.526	551.74.926	551.74.326	551.74.126
<b>Load bearing capacity 70 kg, Matrix Box P70</b>					
550	551.74.746	551.74.546	551.74.946	551.74.346	551.74.146

Packing: 1 set

DGH-M 2017, HDE-en,10/16; Dimensional data not binding. We reserve the right to alter specifications without notice.

Front panel stabilising plate (L) ▶ MB 9.72  
 Matrix Box P planning and installation ▶ MB 9.7



9

Drawer and Pull Out for Door Front Fixing

→ Front fixing bracket (C)



> Material: Zinc alloy

Version	Cat. No.
For press fitting	553.59.995
For screw fixing	553.59.991

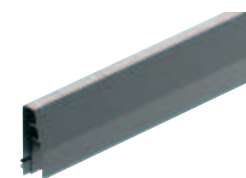
Packing: 1 or 100 pieces

Order reference

Please order fixing screw Cat. No. 013.20.949 for screw-fixed version separately.

→ Drawer side (M)

For sink cut-out, drawer side height 92 mm



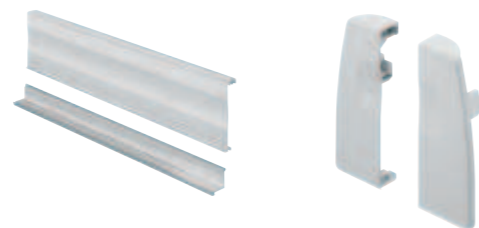
> Material: Steel  
> Finish: Powder coated

Supplied with

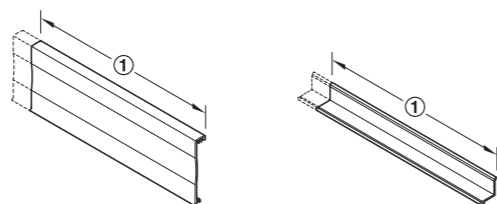
1 left and 1 right drawer side with rear panel fitting  
1 left and 1 right cover cap with logo relief

	Nom. length mm	Packing pairs	Cat. No.
White	270	1 or 6 or 384	513.00.720
	300	1 or 6 or 336	513.00.721
	350	1 or 6 or 300	513.00.722
	400	1 or 6 or 222	513.00.723
Grey	450	1 or 6 or 222	513.00.724
	270	1 or 6 or 384	513.00.520
	300	1 or 6 or 336	513.00.521
	350	1 or 6 or 300	513.00.522
Metallic silver	400	1 or 6 or 222	513.00.523
	450	1 or 6 or 222	513.00.524
	270	1 or 6 or 384	513.00.920
	300	1 or 6 or 336	513.00.921
Metallic anthracite	350	1 or 6 or 300	513.00.922
	400	1 or 6 or 222	513.00.923
	450	1 or 6 or 222	513.00.924
	270	1 or 6 or 384	513.00.320
Metallic bronze brown	300	1 or 6 or 336	513.00.321
	350	1 or 6 or 300	513.00.322
	400	1 or 6 or 222	513.00.323
	450	1 or 6 or 222	513.00.324
Metallic bronze brown	270	1 or 6 or 384	513.00.120
	300	1 or 6 or 336	513.00.121
	350	1 or 6 or 300	513.00.122
	400	1 or 6 or 222	513.00.123
Metallic bronze brown	450	1 or 6 or 222	513.00.124

→ Panel set (N) + (O)  
For sink cut-out



> Material: Panel: Aluminium, panel holder: Plastic  
> Finish: Panel: Powder coated  
> Version: With cover profile, can be cut to size  
> Installation: For screw fixing or for fixing with stabilising plate 553.61.780  
> Height: 74 mm



① Required internal dim. between the drawer sides for sink cut-out – 9 mm

Supplied with

1 panel  
1 cover profile  
1 left and 1 right panel holder

Colour	Length mm	Cat. No.
White	597	551.61.726
	1197	551.61.728
Grey	597	551.61.526
	1197	551.61.528
Metallic silver	597	551.61.926
	1197	551.61.928
Metallic anthracite	597	551.61.326
	1197	551.61.328
Metallic bronze brown	597	551.61.126
	1197	551.61.128

Packing: 1 piece

Front panel stabilising plate (L) ▶ MB 9.72  
Matrix Box P planning and installation ▶ MB 9.7

DGH-M 2017, HDE-en,10/16; Dimensional data not binding. We reserve the right to alter specifications without notice.

Drawer set with overextension

Drawer side height 92 mm



> Area of application: For Matrix Box P waste bins, for applications where an overextension is required, e.g. waste segregation, with inset front panels or cutlery drawers with protruding worktops  
> Material: Steel  
> Version: Overextension 44 mm, with integrated Smuso soft closing mechanism and self closing mechanism  
> Load bearing capacity: 45 kg

Supplied with

1 left and 1 right drawer side (M) with rear panel fitting  
1 left and 1 right cabinet runner  
1 left and 1 right cover cap with logo relief

	Colour	Nom. length mm	Cat. No.
White	White	350	551.54.772
		500	551.54.785
Grey	Grey	350	551.54.572
		500	551.54.586
Metallic silver	Metallic silver	350	551.54.972
		500	551.54.985
Metallic anthracite	Metallic anthracite	350	551.54.372
		500	551.54.385
Metallic bronze brown	Metallic bronze brown	350	551.54.172
		500	551.54.185

Packing: 1 set

Order reference

Please order front fixing brackets separately.

DGH-M 2017, HDE-en,10/16; Dimensional data not binding. We reserve the right to alter specifications without notice.

Drawer set with overextension

Drawer side height 115 mm



> Area of application: For Matrix Box P waste bins, for applications where an overextension is required, e.g. waste segregation, with inset front panels or cutlery drawers with protruding worktops  
> Material: Steel  
> Version: Overextension 44 mm, with integrated Smuso soft closing mechanism and self closing mechanism  
> Load bearing capacity: 45 kg

Supplied with

1 left and 1 right drawer side (M) with rear panel fitting  
1 left and 1 right cabinet runner  
1 left and 1 right cover cap with logo relief

	Colour	Nom. length mm	Cat. No.
White	White	350	551.74.772
		500	551.74.785
Grey	Grey	350	551.74.572
		500	551.74.586
Metallic silver	Metallic silver	350	551.74.972
		500	551.74.985
Metallic anthracite	Metallic anthracite	350	551.74.372
		500	551.74.385
Metallic bronze brown	Metallic bronze brown	350	551.74.172
		500	551.74.185

Packing: 1 set

Order reference

Please order front fixing brackets separately.

Matrix Box P waste bin ▶ MB 7.122  
Front fixing bracket (C) ▶ MB 9.19

9

Drawer and Pull Out for Door Front Fixing

17.07.2019  
ID 4536

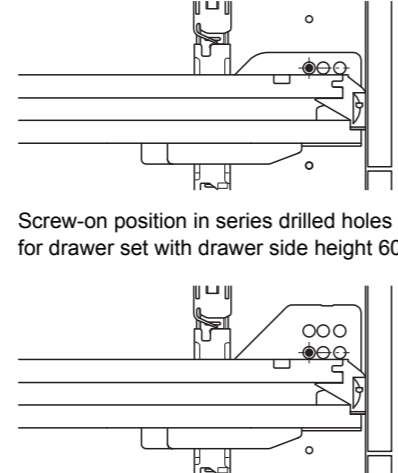
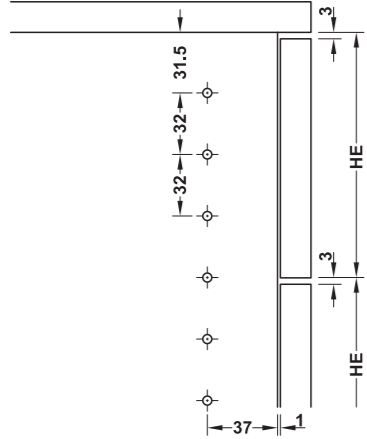


9

Drawer and Pull Out for Door Front Fixing

17.07.2019  
ID 4536

**Series drilled holes**



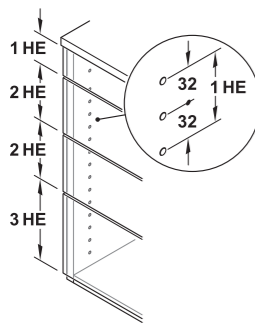
Screw-on position in series drilled holes for drawer set with drawer side height 60 mm

Screw-on position in series drilled holes for drawer set with drawer side height 92 or 115 mm

The screw specifications refer only to the positioning of the drawer runner in the series drilled holes, additional screws must be installed in accordance with the load bearing capacity of the drawer runners.

Series drilled holes drilling dimensions

**Determining the height units (HE) of the central locking bar**



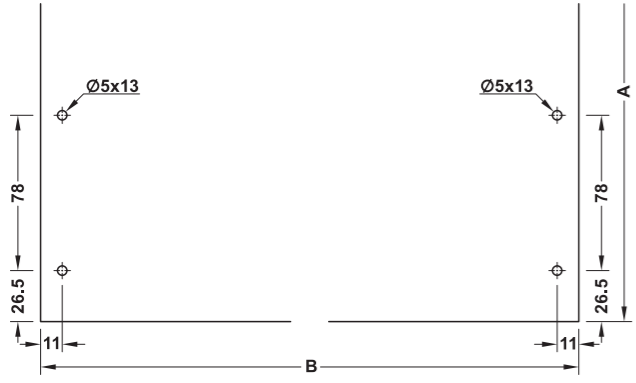
**Selecting the right central locking bar**  
The sum of panel height units (HE) determines  
> the suitable locking bar  
> in accordance with the series drilled holes

**System 32: 1 height unit HE = 64 mm = 2 x 32 mm**

- Example: Min. dimensions for drawers with lock on one side**
- 1 Top drawer with drawer side height 92 mm, panel height 3 HE (192 mm)
  - 2 Centre drawers with drawer side height 92 mm, panel height 2 HE (128 mm)
  - 1 Bottom drawer with drawer side height 92 mm, panel height 2 HE (128 mm)
- A central locking bar with 9 HE is required**

- Example: Min. dimensions for drawers with lock on both sides**
- 1 Top drawer with drawer side height 92 mm, panel height 3.5 HE (192 mm)
  - 2 Centre drawers with drawer side height 92 mm, panel height 2 HE (128 mm)
  - 1 Bottom drawer with drawer side height 92 mm, panel height 2 HE (128 mm)
- A central locking bar with 9.5 HE is required**

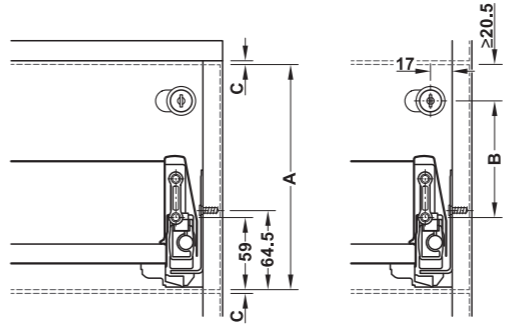
**Drilling pattern (drawer base panel) for stop clip**



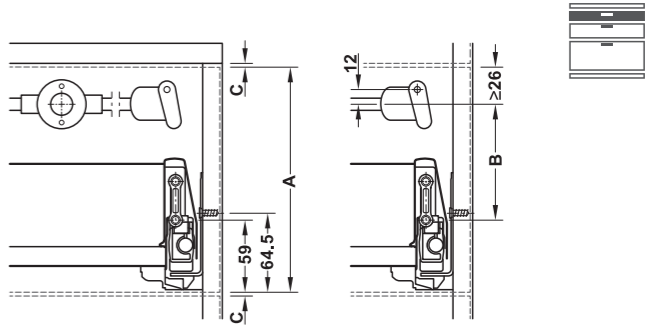
Drilling position on underside of drawer base panel  
A = drawer base panel length  
B = drawer base panel width

**Construction dimensions top drawer**

Lock on one side



Lock on both sides



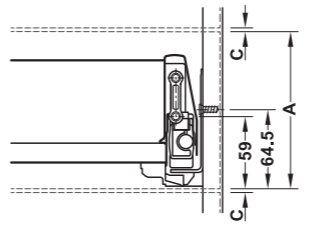
A = panel height  
can only be adjusted at intervals of 32 mm (0.5 HE)  
B = cylinder position (dimension from lower drilling position of the front fixing bracket to drilling position of the lock),  
can only be adjusted at intervals of 32 mm (0.5 HE)  
C = panel gap

Drawer side height	Panel height mm		
	60 mm	92 mm	115 mm
Cylinder position B	95	95	127
Panel height A with panel gap 3 mm	189	189	221
Number of height units HE	3	3	3.5

Drawer side height	Panel height mm		
	60 mm	92 mm	115 mm
Cylinder position B	70	102	102
Panel height A with panel gap 3 mm	189	221	221
Number of height units HE	3	3,5	3.5

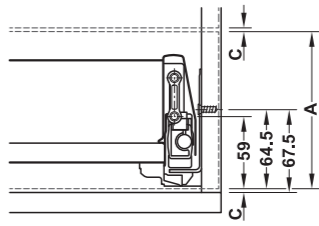
**Construction dimensions centre drawer**

With lock on one or both sides



**Construction dimensions bottom drawer**

With lock on one or both sides



A = panel height  
C = panel gap

A = panel height  
C = panel gap

Drawer side height	Panel height mm		
	60 mm	92 mm	115 mm
Panel height A with panel gap 3 mm	125	125	157
Min. number of height units HE	2	2	2.5

Drawer side height	Panel height mm		
	60 mm	92 mm	115 mm
Panel height A with panel gap 3 mm	125	125	157
Min. number of height units HE	2	2	2.5

Dimension from the screw-on position of the bottom drawer runner to the cabinet base panel must be at least 67.5 mm.

**Note**  
Trial mounting is recommended for differing constructions. The interdependence between the series drilled holes, drawer runners and lock must then be observed during planning. The panel height must be designed at fixed intervals as with series drilled holes.



**Locking system**

For lock on one or both sides



- > Lock for Matrix Box P drawer side runner system
- > Surface mounted central locking bar, cabinet processing is not required
- > With lock on one or both sides

→ **Lock on one side**

**Accessory set for lock on one side**

**Supplied with**  
1 stop clip, right  
1 central locking system connection, right  
Fixing screws

	Cat. No.
Accessory set for lock on one side	427.73.388

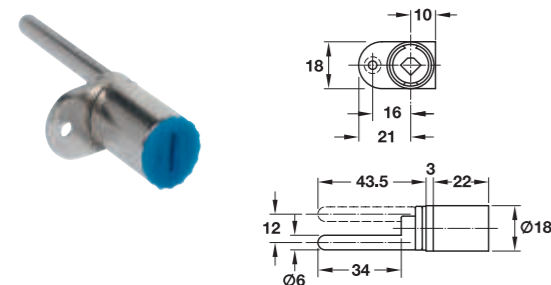
Packing: 1 set

**Order reference**

The following is required for locking system with lock on one side:  
> One accessory set for lock on one side for each drawer side set  
> One central locking rotary lock for lock on one side  
> One central locking bar for lock on one side with required length (HE height units)  
More planning and installation dimensions can be found in our online shop.

**Central locking rotary lock**

For lock on one side



Closure travel	Travel mm	Cat. No.
180°	12	234.98.650

Packing: 1 or 20 pieces

Symo cylinder cores	► MB 6.80
Symo cylinder rosette	► MB 6.83

**Central locking bar**

For lock on one side



Central locking system with anti-tilt safety stop:  
Prevents simultaneous opening of several drawers.

- > Material: Steel, screw-on bearing: Plastic
- > Finish: Galvanized, screw-on bearing: Black, RAL 9011
- > Installation: For suspending in the runner

**Note**

The central locking bar can be shortened at the top by 2 HE.

Height units HE	Installation height mm	Cat. No.
<b>System 32</b>		
7.5	483	237.83.709
8	515	237.83.710
8.5	547	237.83.711
9	579	237.83.712
9.5	611	237.83.713
10	643	237.83.714
10.5	675	237.83.715
11	707	237.83.716
11.5	739	237.83.717
12	771	237.83.718

Packing: 1 piece

**Order reference**

More planning and installation dimensions can be found in our online shop.

Matrix Box P drawer set	► MB 9.10
-------------------------	-----------

DGH-M 2017, HDE-en,10/16; Dimensional data not binding. We reserve the right to alter specifications without notice.

→ **Lock on both sides**

**Accessory set for lock on both sides**

**Supplied with**  
1 stop clip, right  
1 stop clip, left  
1 central locking system connection, right  
1 central locking system connection, left  
Fixing screws

	Cat. No.
Accessory set for lock on both sides	427.73.389

Packing: 1 set

**Order reference**

The following is required for locking system with lock on both sides:  
> One accessory set for lock on both sides for each Matrix Box P drawer side set  
> One locking mechanism for lock on both sides  
> Two central locking bars for lock on both sides with required length (HE height units)  
More planning and installation dimensions can be found in our online shop.

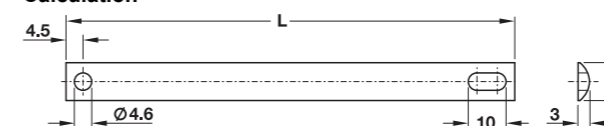
**Locking mechanism**

For lock on both sides



- > Material: Steel, plastic
- > Finish: Nickel plated, plastic: Black
- > Installation: For screw fixing to extending front panel

**Calculation**



**Extending rod length calculation**

Installation width ÷ 2 – 67 mm = dim. L  
Example: 762 ÷ 2 = 381 – 67 = 314 mm

**Calculation of drilling position for swivel elements**

Installation width – 58 mm ÷ 2 = dim. A  
Example: 762 – 58 ÷ 2 = 352 mm

**Supplied with**

1 drawer lock with cylinder core and rosette  
2 extending rods  
2 swivel elements, left/right, plastic, black  
2 collar bolts



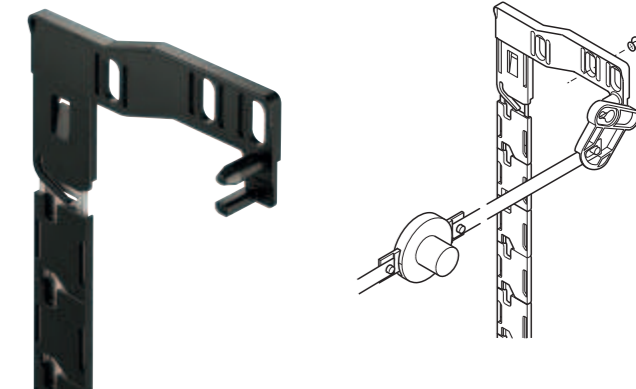
For format (horizontal)	Installation width mm	Dim. L mm	Cat. No.
2 x A5	562	214	237.72.672
2 x A4 (3 x A5)	762	314	237.72.674
2 x EDP	962	414	237.72.676
3 x A4	1162	514	237.72.678

Packing: 1 set

Matrix Box P drawer set	► MB 9.10
-------------------------	-----------

**Central locking bar**

For lock on both sides



- > Material: Steel, screw-on bearing: Plastic
- > Finish: Galvanized, screw-on bearing: Black, RAL 9011
- > Installation: For suspending in the runner

**Note**

The central locking bar can be shortened at the top by 2 HE.

Length mm	Panel height mm	Installation height mm	Cat. No.
<b>System 32</b>			
465	8 HE	493	237.88.601
497	8.5 HE	525	237.88.602
529	9 HE	557	237.88.625
561	9.5 HE	589	237.88.626
593	10 HE	621	237.88.603
625	10.5 HE	653	237.88.604
657	11 HE	685	237.88.627
689	11.5 HE	717	237.88.628
721	12 HE	749	237.88.629
753	12.5 HE	781	237.88.605
785	13 HE	813	237.88.606
817	13.5 HE	845	237.88.630
849	14 HE	877	237.88.631
881	14.5 HE	909	237.88.632
913	15 HE	941	237.88.633

Packing: 1 pair

**Order reference**

More planning and installation dimensions can be found in our online shop.

Matrix Box P drawer set	► MB 9.10
-------------------------	-----------



Height extension side panel (J)

For pull out for door front fixing

- > Prerequisite: Pull out with round railing (without cross rail)
- > Tall kitchen items cannot fall out or fall over due to the enclosed height extension side panels
- > Matches the colour of the drawer sides

- > Area of application: For increasing the height of the enclosed internal space of the pull out by 88 mm to a total height of 160 mm (92 mm drawer side) or 183 mm (115 mm drawer side)
- > Material: Steel
- > Finish: Powder coated
- > Installation: For clipping onto railing and drawer sides

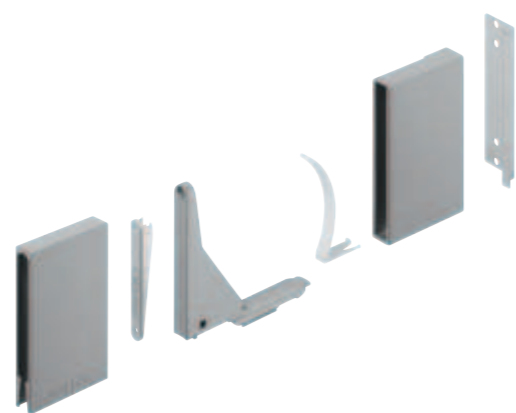
	Nom. length mm	Cat. No.
White	270	553.60.600
	300	553.60.601
	350	553.60.602
	400	553.60.603
	450	553.60.604
	500	553.60.605
	550	553.60.606
	600	553.60.607
Grey	650	553.60.608
	270	553.60.900
	300	553.60.901
	350	553.60.902
	400	553.60.903
	450	553.60.904
	500	553.60.905
	550	553.60.906
Metallic silver	600	553.60.907
	650	553.60.908
	270	551.60.900
	300	551.60.901
	350	551.60.902
	400	551.60.903
	450	551.60.904
	500	551.60.905
Metallic anthracite	550	551.60.906
	600	551.60.907
	650	551.60.908
	270	551.60.300
	300	551.60.301
	350	551.60.302
	400	551.60.303
	450	551.60.304
Metallic bronze brown	500	551.60.305
	550	551.60.306
	600	551.60.307
	650	551.60.308
	270	551.60.100
	300	551.60.101
	350	551.60.102
	400	551.60.103
450	551.60.104	
500	551.60.105	
550	551.60.106	
600	551.60.107	
650	551.60.108	

Packing: 1 pair

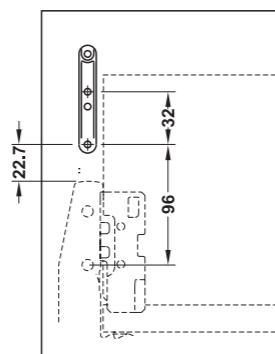
Panel holder (K)

For pull out for door front fixing

- > For individual lateral panel design with material thickness 8 mm made from e.g. glass, wood, acrylic,...
- > Tilting angle adjustment of front panel at panel holder  $\pm 2$  mm
- > Additional stability for high pull outs for door front fixing



Drilling pattern/screw-on position for front bracket



- Supplied with
- 2 front brackets
- 2 panel holders with tension spring, adjustable screw for front bracket and insert element for drawer sides
- 2 cover caps
- 2 panel holders, rear
- 2 rear panel fittings

Colour	Cat. No.
White	553.60.699
Metallic silver	551.60.599
Metallic anthracite	551.60.999
Metallic bronze brown	551.60.199

Packing: 1 set

- Order reference
- Matrix Box P drawer set, drawer side height 92 mm and glass panel not supplied, please order separately.

Matrix Box P set

► MB 9.10

DGH-M 2017, HDE-en,10/16; Dimensional data not binding. We reserve the right to alter specifications without notice.

Replacement cover cap

For all drawers and pull outs



- Supplied with
- 1 right cover cap
- 1 left cover cap

Colour	Neutral	With logo relief
White	551.61.781	551.61.780
Grey	551.61.581	551.61.580
Metallic silver	551.61.981	551.61.980
Metallic anthracite	551.61.381	551.61.380
Metallic bronze brown	551.61.181	551.61.180

Packing: 1 pair

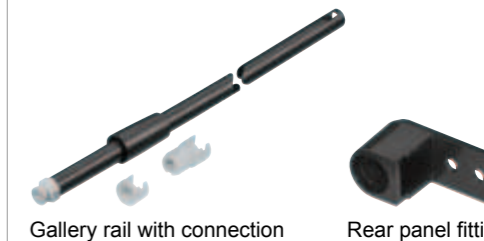
Order reference

Cover caps with individual print are available from an order quantity of 2000 pieces and above. Cover caps with relief are available from an order quantity of 5000 pieces and above.

DGH-M 2017, HDE-en,10/16; Dimensional data not binding. We reserve the right to alter specifications without notice.

Side railing set, round (G)

For pull out for door front fixing



- > Material: Gallery rail: Steel or stainless steel, holders: Plastic Coated
- > Finish: Coated
- > Diameter: 11 mm

- Supplied with
- 2 gallery rails
- 4 front brackets (2 for press fitting and 2 for screw fixing)
- 2 rear panel fittings

Nom. length mm	White	Grey/silver	Anthracite
270	553.59.600	553.59.900	553.59.400
300	553.59.601	553.59.901	553.59.401
350	553.59.602	553.59.902	553.59.402
400	553.59.603	553.59.903	553.59.403
450	553.59.604	553.59.904	553.59.404
500	553.59.605	553.59.905	553.59.405
550	553.59.606	553.59.906	553.59.406
600	553.59.607	553.59.907	553.59.407
650	553.59.608	553.59.908	553.59.408

Packing: 1 or 24 pairs

Side railing set, rectangular (G)

For pull out for door front fixing



Nom. length mm	White	Grey/silver	Anthracite	Bronze brown
270	551.60.720	551.60.920	551.60.320	551.60.120
300	551.60.721	551.60.921	551.60.321	551.60.121
350	551.60.722	551.60.922	551.60.322	551.60.122
400	551.60.723	551.60.923	551.60.323	551.60.123
450	551.60.724	551.60.924	551.60.324	551.60.124
500	551.60.725	551.60.925	551.60.325	551.60.125
550	551.60.726	551.60.926	551.60.326	551.60.126
600	551.60.727	551.60.927	551.60.327	551.60.127
650	551.60.728	551.60.928	551.60.328	551.60.128

Packing: 1 or 24 pairs

Drawer and Pull Out for Door Front Fixing

Drawer and Pull Out for Door Front Fixing

**Cross rail, round (H)**

For pull out for door front fixing



- > Material: Steel
- > Version: Can be cut to size
- > Length: 1,102 mm
- > Diameter: 11 mm
- > Cut = internal cabinet width – 80 mm

Colour	Cat. No.
White	553.59.634
Grey/silver	553.59.934
Anthracite	553.59.434

Packing: 1 or 50 pieces

**Cross railing holder, round (I)**

For pull out for door front fixing



- > Material: Plastic

Colour	Cat. No.
White	553.59.639
Grey/silver	553.59.939
Anthracite	553.59.439

Packing: 1 or 100 pieces

**Order reference**

Please order 2 cross railing holders for each cross rail.

**Cross rail, rectangular (H)**

For pull out for door front fixing and VIS internal pull out



- > Material: Steel
- > Version: Can be shortened
- > Length: 1,090.5 mm
- > Cut = internal cabinet width – 77.5 mm

Colour	Cat. No.
White	513.70.769
Metallic silver	513.70.969
Metallic anthracite	513.70.369
Metallic bronze brown	513.70.169

Packing: 1 piece

**Cross railing holder, rectangular (H)**

For pull out for door front fixing and VIS internal pull out



- > Area of application: For clipping onto rectangular cross rail
- > Material: Plastic

Colour	Cat. No.
White	513.70.789
Metallic silver	513.70.989
Metallic anthracite	513.70.389
Metallic bronze brown	513.70.189

Packing: 1 piece

**Order reference**

Please order 2 cross railing holders for each cross rail.

DGH-M 2017, HDE-en,10/16; Dimensional data not binding. We reserve the right to alter specifications without notice.

**Panel (D)**

For VIS internal drawer with 92 mm drawer side height



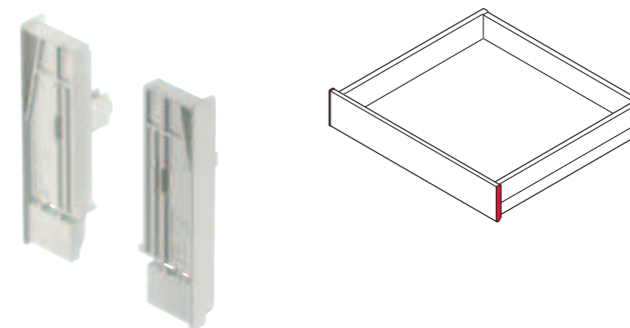
- > Area of application: Panel for internal drawer
- > Material: Aluminium
- > Installation: Holders for screw fixing to the panel, panel is clipped onto the drawer sides with panel holders
- > Version: Can be shortened
- > Height: 102 mm
- > Length: Internal cabinet width – 10 mm
- > Side panel thickness: 16 mm

Colour	Cabinet width mm		
	600	900	1200
White	513.70.711	513.70.715	513.70.719
Metallic silver	513.70.911	513.70.915	513.70.919
Metallic anthracite	513.70.311	513.70.315	513.70.319
Metallic bronze brown	513.70.111	513.70.115	513.70.119

Packing: 1 piece

**Panel holder (E)**

For VIS internal drawer with 92 mm drawer side height



- > Area of application: For internal drawer, connects the drawer sides with the panel
- > Material: Plastic
- > Installation: Panel is clipped onto the drawer sides
- > Height: 102 mm

Colour	Cat. No.
White	513.70.792
Metallic silver	513.70.992
Metallic anthracite	513.70.392
Metallic bronze brown	513.70.192

Packing: 1 pair

DGH-M 2017, HDE-en,10/16; Dimensional data not binding. We reserve the right to alter specifications without notice.

**Panel (D)**

For VIS internal pull outs with 92 or 115 mm drawer side height and side railing



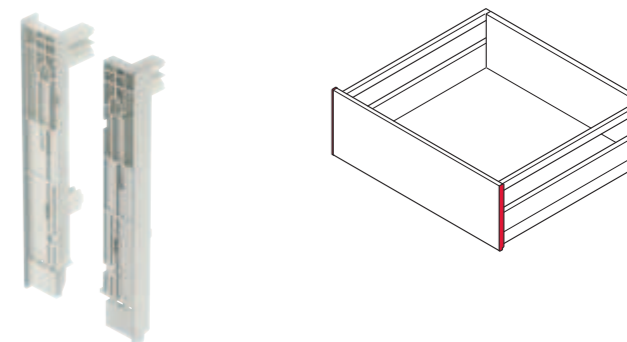
- > Area of application: For internal pull out
- > Material: Aluminium
- > Installation: Holders for screw fixing to the panel, panel is clipped onto the drawer sides with panel holders
- > Version: Can be shortened
- > Height: 189 mm
- > Length: Internal cabinet width – 10 mm
- > Side panel thickness: 16 mm

Colour	Cabinet width mm		
	600	900	1200
White	513.70.721	513.70.725	513.70.729
Metallic silver	513.70.921	513.70.925	513.70.929
Metallic anthracite	513.70.321	513.70.325	513.70.329
Metallic bronze brown	513.70.121	513.70.125	513.70.129

Packing: 1 piece

**Panel holder (E)**

For VIS internal pull outs with 92 or 115 mm drawer side height and side railing



- > Area of application: For internal pull out, connects the drawer sides with the panel and railing
- > Material: Plastic
- > Installation: Panel is clipped onto the drawer sides, railing is inserted into the holders
- > Height: 189 mm

Colour	Cat. No.
White	513.70.793
Metallic silver	513.70.993
Metallic anthracite	513.70.393
Metallic bronze brown	513.70.193

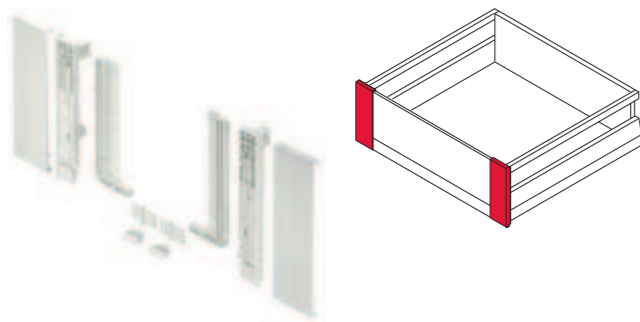
Packing: 1 pair





**Panel holder set for front panel (F)**

For VIS internal pull outs with 92 or 115 mm drawer side height and side railing



- > Area of application: For internal pull out, connects the drawer sides with the panel
- > Material: Plastic
- > Installation: Panel is clipped onto the drawer sides
- > Height: 189 mm

**Supplied with**

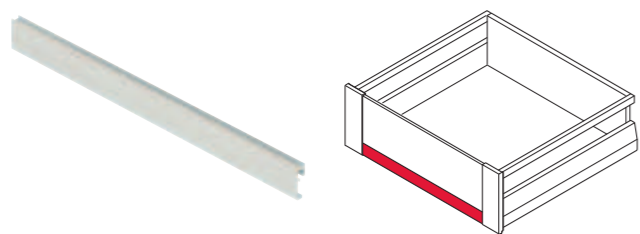
- 1 left and 1 right cover cap
- 1 left and 1 right panel holder
- 3 front panel stabilising plates

Colour	Cat. No.
White	513.70.790
Metallic silver	513.70.990
Metallic anthracite	513.70.390
Metallic bronze brown	513.70.190

Packing: 1 set

**Panel profile for front panel (F)**

For VIS internal pull outs with 92 or 115 mm drawer side height and side railing



- > Area of application: For panel, for internal pull out
- > Material: Aluminium
- > Installation: Holders for screw fixing to the panel profile, panel insert is clipped onto the drawer sides
- > Height: 37 mm
- > Length: Internal cabinet width – 133 mm
- > Side panel thickness: 16 mm, can be shortened for other installation widths

Colour	Cabinet width mm		
	600	900	1200
White	513.70.731	513.70.735	513.70.739
Metallic silver	513.70.931	513.70.935	513.70.939
Metallic anthracite	513.70.331	513.70.335	513.70.339
Metallic bronze brown	513.70.131	513.70.135	513.70.139

Packing: 1 piece

**Glass front panel for internal pull out (M)**

For VIS internal pull outs with 92 or 115 mm drawer side height and panel holder



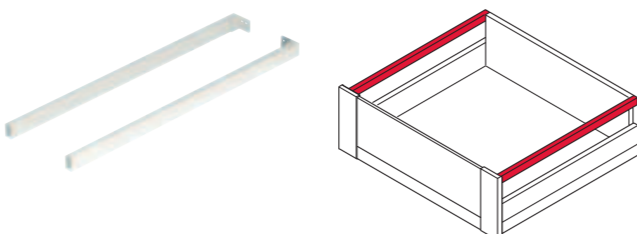
- > Version: Edges ground and chamfered
- > Material: Flint glass
- > Glass thickness: 8 mm
- > Height: 151 mm
- > Length: Internal installation width – 94 mm
- > Side panel thickness: 16 mm

Finish	Cabinet width mm		
	600	900	1200
Clear	513.70.441	513.70.445	513.70.449
Satin frosted	513.70.041	513.70.045	513.70.049

Packing: 1 piece

**Side railing set, rectangular (G)**

For VIS internal pull outs with 92 or 115 mm drawer side height



Nom. length mm	White	Metallic silver	Metallic anthracite	Metallic bronze brown
270	513.71.700	513.71.900	513.71.300	513.71.100
300	513.71.701	513.71.901	513.71.301	513.71.101
350	513.71.702	513.71.902	513.71.302	513.71.102
400	513.71.703	513.71.903	513.71.303	513.71.103
450	513.71.704	513.71.904	513.71.304	513.71.104
500	513.71.705	513.71.905	513.71.305	513.71.105
550	513.71.706	513.71.906	513.71.306	513.71.106
600	513.71.707	513.71.907	513.71.307	513.71.107
650	513.71.708	513.71.908	513.71.308	513.71.108

Packing: 1 or 24 pairs

DGH-M 2017, HDE-en,10/16; Dimensional data not binding. We reserve the right to alter specifications without notice.

**Lateral glass panel for internal pull out (N)**

For VIS internal pull outs with 92 mm drawer side height and rear panel holder



- > Version: Edges ground and chamfered
- > Glass thickness: 8 mm
- > Height: 48 mm
- > Length: Nominal length cabinet runner –25 mm

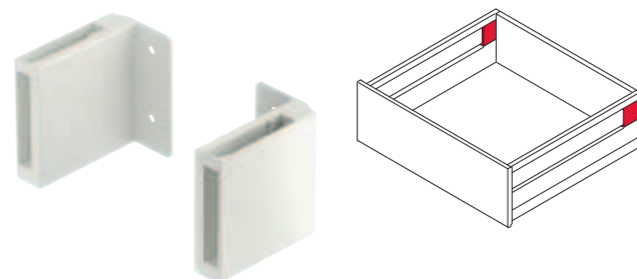
Nom. length mm	Finish	
	Clear	Satin frosted
270	513.72.400	513.72.100
300	513.72.401	513.72.101
350	513.72.402	513.72.102
400	513.72.403	513.72.103
450	513.72.404	513.72.104
500	513.72.405	513.72.105
550	513.72.406	513.72.106
600	513.72.407	513.72.107
650	513.72.408	513.72.108

Packing: 1 pair

DGH-M 2017, HDE-en,10/16; Dimensional data not binding. We reserve the right to alter specifications without notice.

**Rear panel holder for lateral panel (N)**

For VIS internal pull outs with 92 mm drawer side height and panel



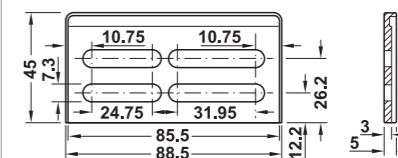
- > Area of application: For accommodating the lateral panel
- > Material: Plastic
- > Installation: For screw fixing to rear panel

Colour	Cat. No.
White	513.72.799
Metallic silver	513.72.999
Metallic anthracite	513.72.399
Metallic bronze brown	513.72.199

Packing: 1 pair

**Spacer**

For cabinet runners of all drawers and pull outs



- > Area of application: For side panel compensation between thicknesses 16 and 19 mm

Material	Cat. No.
Plastic	502.03.999

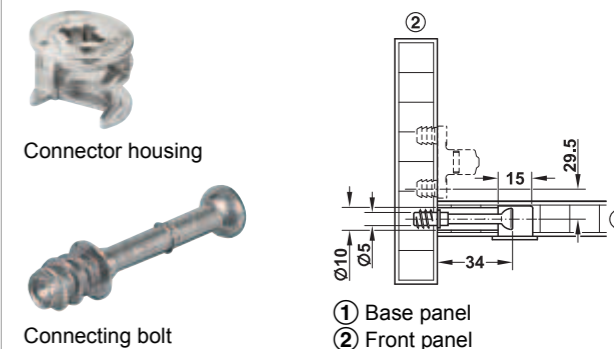
Packing: 1 piece

**Order reference**

Please order 4 spacers for each drawer.

**Panel stabilisation using Minifix®**

For drawers and pull outs



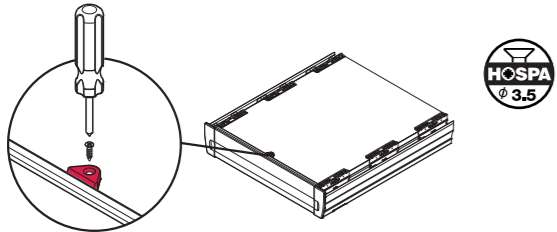
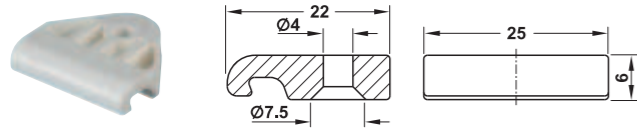
- > Area of application: For stabilising the wooden panel against buckling when pulling out the drawer
- > Material: Connector housing: Zinc alloy, connecting bolt: Steel
- > Version: Connector housing without cover

Finish	Connector housing	Connecting bolt
Bright	262.26.033	262.28.611
Nickel coloured	262.26.133	–

Packing: 100, 2000 or 160000 pieces

**Front panel stabilising plate** 

For internal drawers and internal pull outs



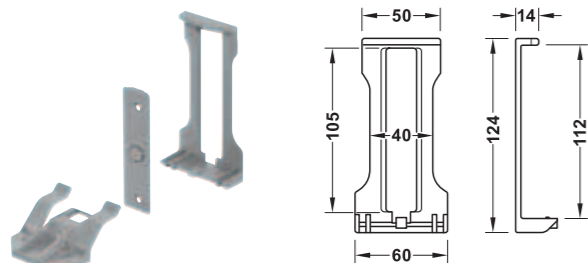
- > Area of application: For stabilising aluminium panels and panel profiles, for stabilising the front panel against buckling when pulling out the drawer
- > Material: Plastic

Colour	Cat. No.
White	553.61.780

Packing: 1 or 100 pieces

**Clip set for internal drawer**

For internal drawers and internal pull outs



- > Area of application: For internal drawer
- > Installation: Automatic opening of the internal drawer when the front panel is pulled out
- > Material: Plastic

Colour	Cat. No.
Grey	559.91.991
Dark grey, colour-coordinated to match metallic anthracite	559.91.992

Packing: 1 or 50 pieces

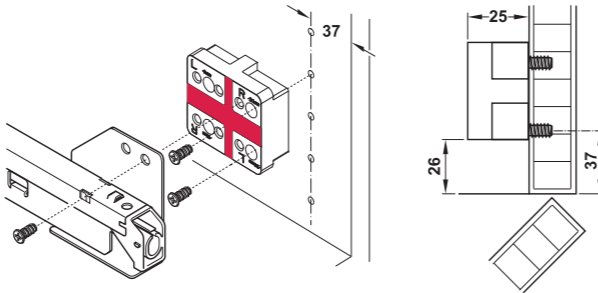
**Spacer**

For internal drawers and internal pull outs



- > Area of application: Internal drawer/internal pull out behind hinged doors to compensate for door offset
- > Material: Plastic

For installation on hinge side



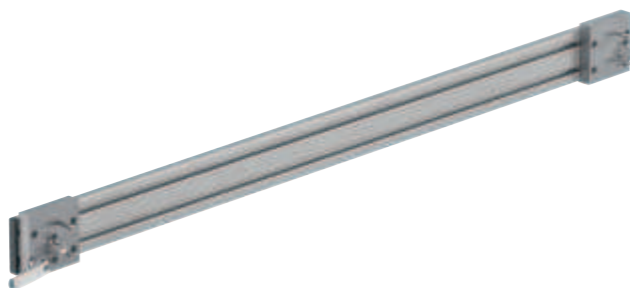
2 spacers are required for each runner and each door

Colour	Cat. No.
White	553.62.700

Packing: 1 or 100 pieces

**Matrix Box P Drilling and mounting aid**

For Matrix Box P drawer sides



- > Area of application: Drilling and mounting aid for convenient and precise mounting of drawers and pull outs for door front fixing
- > Dim.: For drawer side height 92 and 115 mm, for nominal length 270–650 mm, for cabinet width 200–1,200 mm, for base panel and rear panel thickness 16 mm and 18 mm
- > Installation: For drilling rear panels and drawer base panels, for pre-fixed screw fixing of rear panel, drawer base panel and drawer sides

Supplied with  
1 drilling and mounting aid

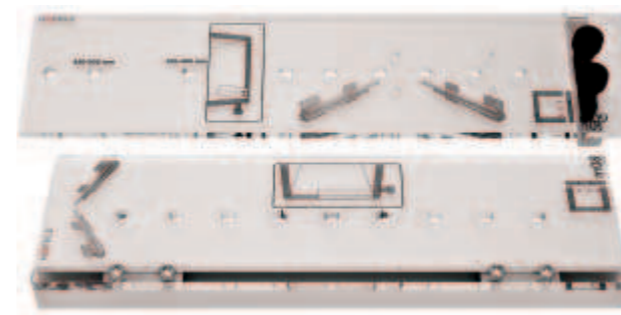
Model	Cat. No.
Matrix Box P	555.08.010

Packing: 1 piece

DGH-M 2017, HDE-en,10/16; Dimensional data not binding. We reserve the right to alter specifications without notice.

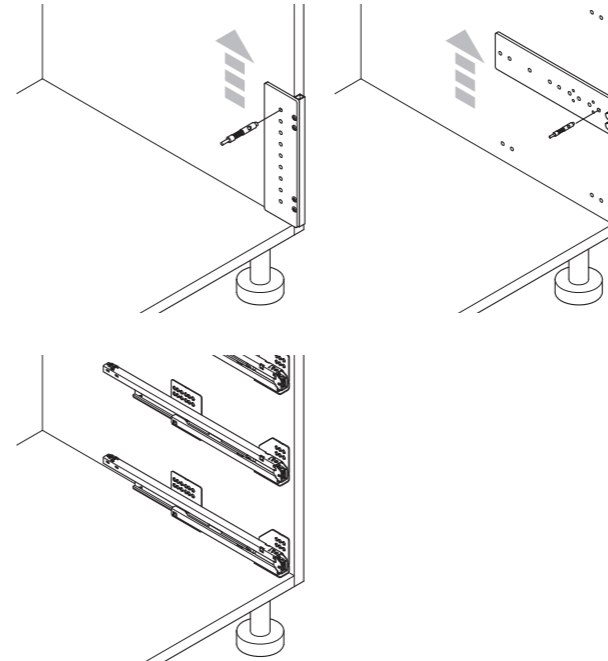
**Processing aids**

→ **Drilling jig**



- > Area of application: For precise pilot drilling series drilled holes for the runners
- > Material: Drilling jig: Plastic, fixing profile: Aluminium

Application



- Supplied with
- 2 drilling jigs
  - 1 fixing profile
  - 1 set of installation instructions

	Cat. No.
Drilling jig	553.69.041

Packing: 1 piece

Order reference  
Please order depth gauge separately.

DGH-M 2017, HDE-en,10/16; Dimensional data not binding. We reserve the right to alter specifications without notice.

→ **Depth gauge**




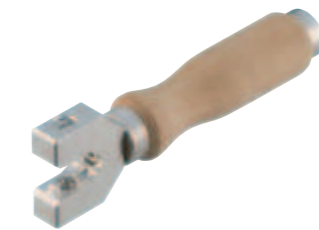
- > Area of application: For precise pilot drilling series drilled holes for the runners using the drilling jig
- > Material: Steel

Drill bit Ø mm	Cat. No.
3	001.25.791
5	001.25.792

Packing: 1 piece

→ **Insertion tool**

For press fitting front fixing bracket 

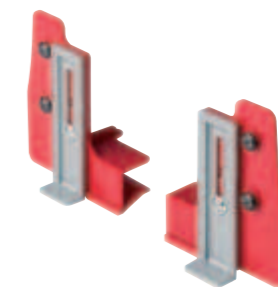


Material	Version	Cat. No.
Aluminium	With wooden handle	553.69.020

Packing: 1 piece

→ **Marking gauge**

For front fixing



- > Area of application: For easy marking of the drill holes on the front panel
- > Material: Plastic
- > Colour: Grey/red

	Cat. No.
Marking gauge	553.69.035

Packing: 1 piece



9

Drawer and Pull Out for Door Front Fixing

17.07.2019  
ID 4536



9

Drawer and Pull Out

26.11.2020  
ID 5442

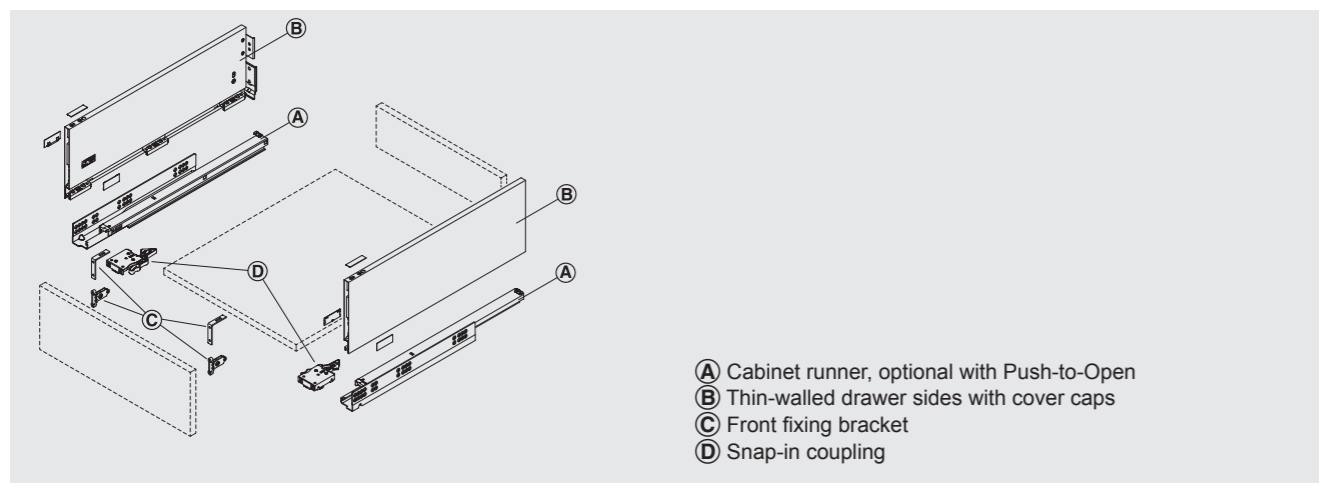


**Matrix Box Slim A**

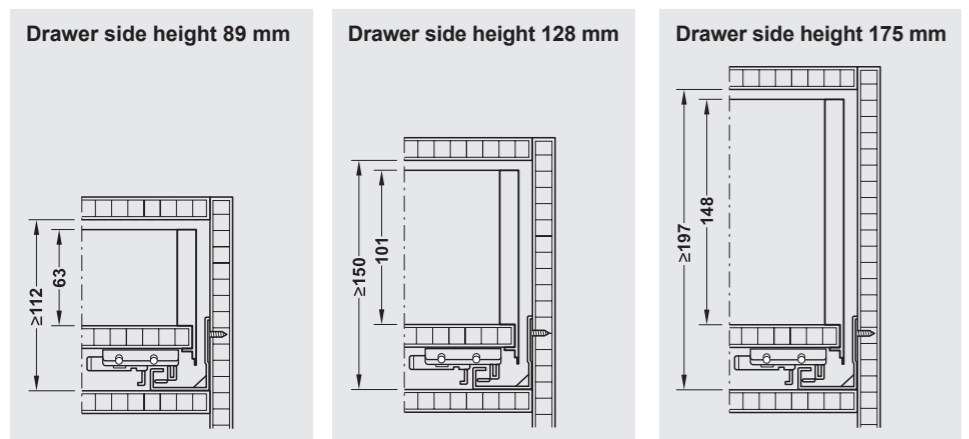
3 drawer side colours are available



**Definition**



**Drawer side design**

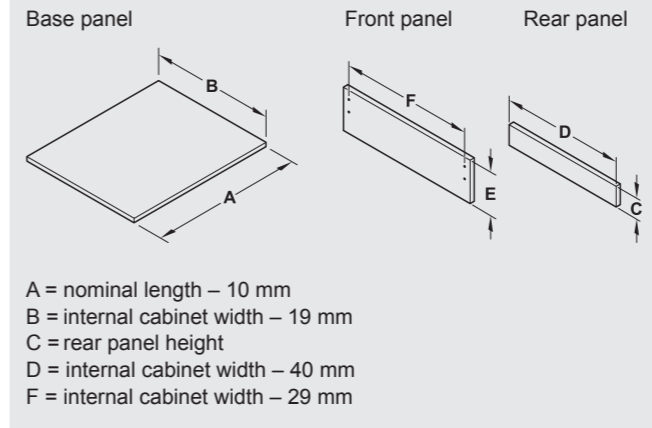


9

Drawer and Pull Out for Door Front Fixing

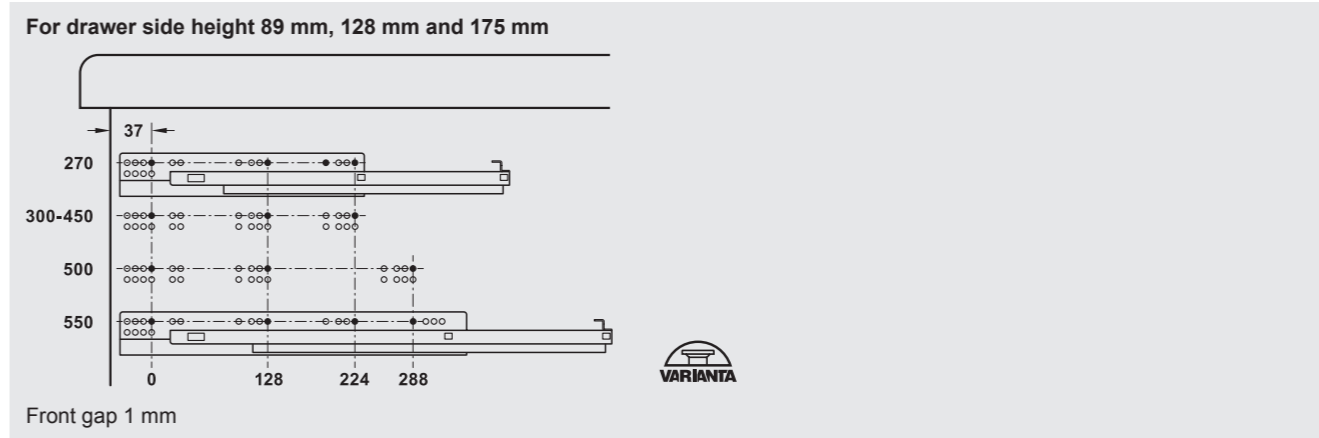


**Cutting dimensions for panels and front panels (panel thickness of 16 mm)**



Drawer side height	Load bearing capacity	Rear panel height C
89 mm	30 kg	63 mm
128 mm	30 kg	101 mm
175 mm	30 kg	148 mm

**Drilling pattern for cabinet**



**Calculation of the internal drawer space dimensions**

**Internal drawer width, e.g.:**

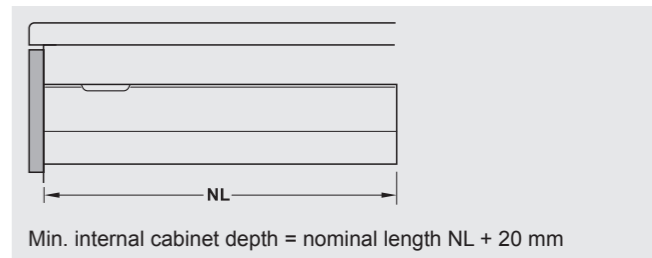
External cabinet width 600 mm  
 – (2 x side panel thickness) – (2 x 19 mm = 38 mm)  
 – (2 x installation dimension) – (2 x 20 mm = 40 mm)  
 = internal drawer width = 522 mm

External cabinet width mm	300	400	500	600	800
Side panel thickness mm	Internal drawer width mm				
16	228	328	428	528	728
19	222	322	422	522	722

**Internal drawer depth, e.g.:**

Nominal length cabinet runner 500 mm  
 – rear panel thickness – 16 mm  
 = internal drawer depth = 484 mm

**Internal cabinet depth**



9

Drawer and Pull Out for Door Front Fixing

DGH-M 2017, HDE-en, 10/16; Dimensional data not binding. We reserve the right to alter specifications without notice.

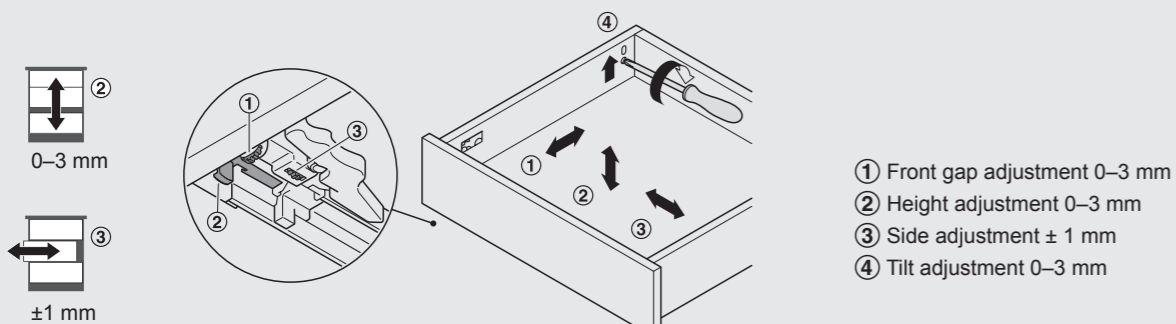
DGH-M 2017, HDE-en, 10/16; Dimensional data not binding. We reserve the right to alter specifications without notice.



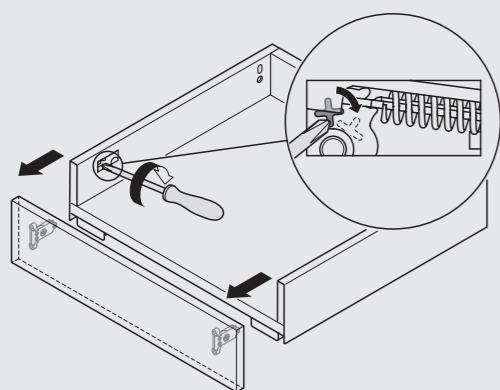


Adjustment facilities

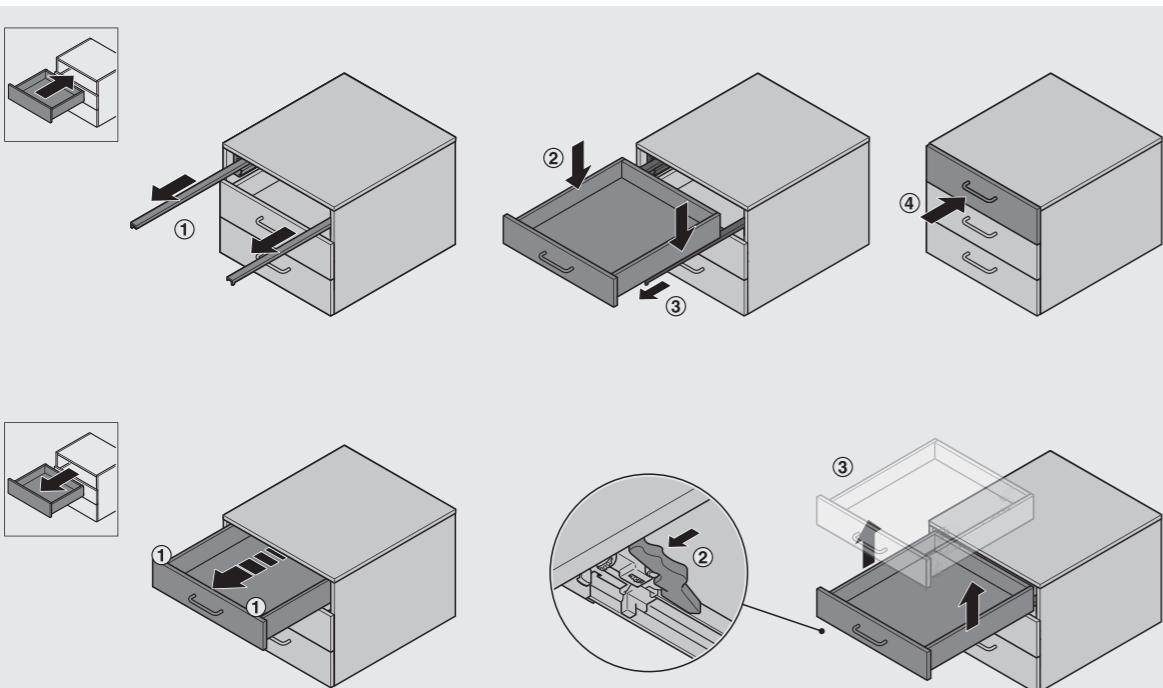
Convenient height and side adjustment, tilt and front gap adjustment when installed



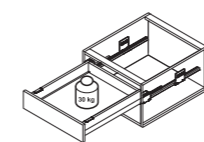
Easy panel mounting and removal



Installation and removal of the drawer

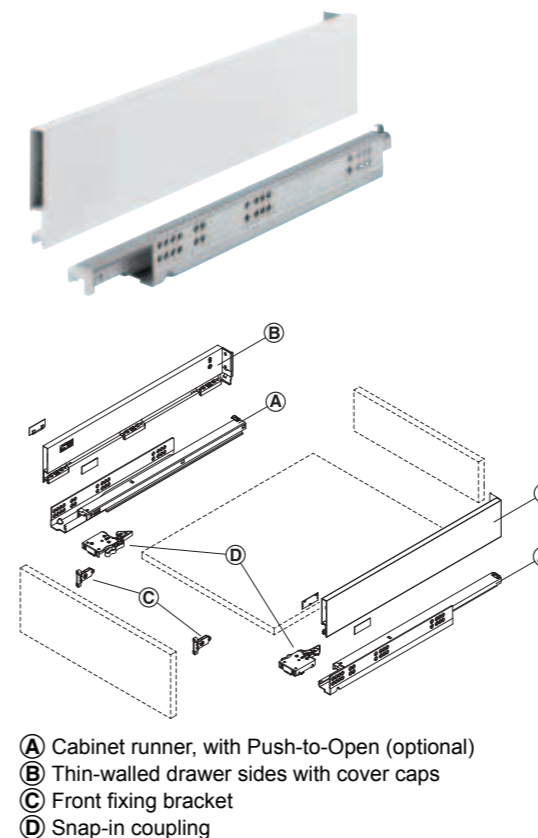


DGH-M 2017, HDE-en, 10/16; Dimensional data not binding. We reserve the right to alter specifications without notice.

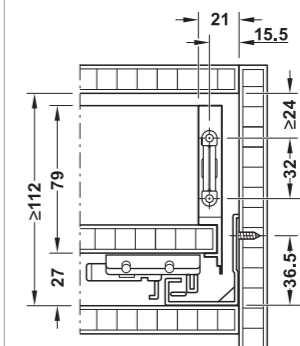


DGH-M 2017, HDE-en, 10/16; Dimensional data not binding. We reserve the right to alter specifications without notice.

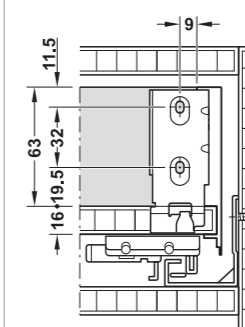
Drawer set  
Drawer side height 89 mm



Internal installation height



Rear panel installation dimensions



- > Material Steel
  - > Finish Drawer sides: Powder coated, cabinet runner: Zinc plated
  - > Load bearing capacity 30 kg
  - > Version Thin drawer sides of 13 mm, full extension, metal drawer sides can be replaced with wooden drawer
- With self closing and soft closing mechanisms or with Push-to-Open

→ Full extension, with integrated soft closing and self closing mechanisms

> Type of pull out: Full extension, with integrated soft closing and self closing mechanisms, with integrated rear panel fitting

Supplied with

- 1 left and 1 right thin-walled drawer side with rear panel fitting
- 1 left and 1 right cabinet runner
- 1 left and 1 right runner coupling
- 1 left and 1 right front fixing bracket for screw fixing
- 1 left and 1 right cover cap



Nom. length mm	White	Grey	Anthracite
270	552.21.750	552.21.450	552.21.550
300	552.21.751	552.21.451	552.21.551
350	552.21.752	552.21.452	552.21.552
400	552.21.753	552.21.453	552.21.553
450	552.21.754	552.21.454	552.21.554
500	552.21.755	552.21.455	552.21.555
550	552.21.756	552.21.456	552.21.556

Packing: 1 set

→ Full extension, with Push-to-Open

> Type of pull out: Full extension, with Push-to-Open, with integrated rear panel fitting

Supplied with

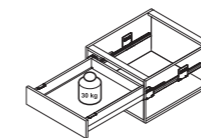
- 1 left and 1 right thin-walled drawer side with rear panel fitting
- 1 left and 1 right cabinet runner
- 1 left and 1 right runner coupling
- 1 left and 1 right front fixing bracket for screw fixing
- 1 left and 1 right cover cap



Nom. length mm	White	Grey	Anthracite
270	552.21.760	552.21.460	552.21.560
300	552.21.761	552.21.461	552.21.561
350	552.21.762	552.21.462	552.21.562
400	552.21.763	552.21.463	552.21.563
450	552.21.764	552.21.464	552.21.564
500	552.21.765	552.21.465	552.21.565
550	552.21.766	552.21.466	552.21.566

Packing: 1 set

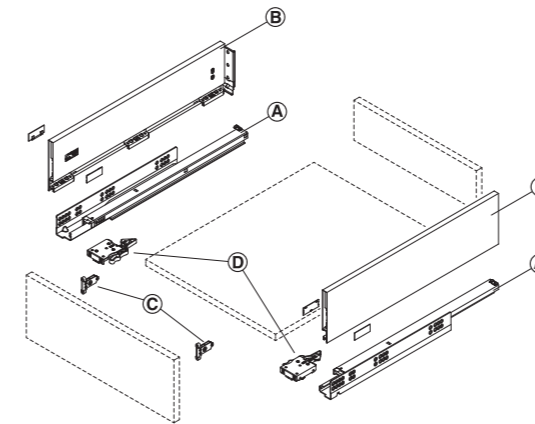
DGH-M 2017, HDE-en,10/16; Dimensional data not binding. We reserve the right to alter specifications without notice.



DGH-M 2017, HDE-en,10/16; Dimensional data not binding. We reserve the right to alter specifications without notice.

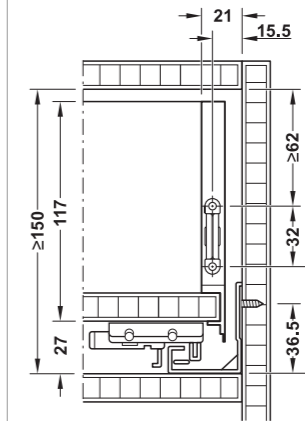
Drawer set

Drawer side height 128 mm

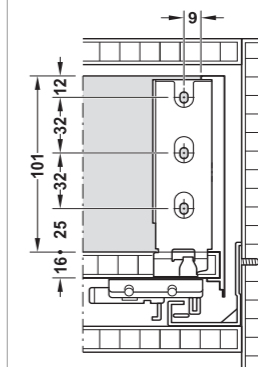


- A Cabinet runner, with Push-to-Open (optional)
- B Thin-walled drawer sides with cover caps
- C Front fixing bracket
- D Snap-in coupling

Internal installation height



Rear panel installation dimensions



- > Material: Steel
  - > Finish: Drawer sides: Powder coated, cabinet runner: Zinc plated
  - > Load bearing capacity: 30 kg
  - > Version: Thin drawer sides of 13 mm, full extension, metal drawer sides can be replaced with wooden drawer
- With self closing and soft closing mechanisms or with Push-to-Open

→ Full extension, with integrated soft closing and self closing mechanisms

> Type of pull out: Full extension, with integrated soft closing and self closing mechanisms, with integrated rear panel fitting

Supplied with

- 1 left and 1 right thin-walled drawer side with rear panel fitting
- 1 left and 1 right cabinet runner
- 1 left and 1 right runner coupling
- 1 left and 1 right front fixing bracket for screw fixing
- 1 left and 1 right cover cap



Nom. length mm	White	Grey	Anthracite
270	552.22.750	552.22.450	552.22.550
300	552.22.751	552.22.451	552.22.551
350	552.22.752	552.22.452	552.22.552
400	552.22.753	552.22.453	552.22.553
450	552.22.754	552.22.454	552.22.554
500	552.22.755	552.22.455	552.22.555
550	552.22.756	552.22.456	552.22.556

Packing: 1 set

→ Full extension, with Push-to-Open

> Type of pull out: Full extension, with Push-to-Open, with integrated rear panel fitting

Supplied with

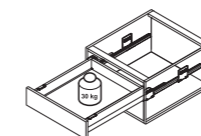
- 1 left and 1 right thin-walled drawer side with rear panel fitting
- 1 left and 1 right cabinet runner
- 1 left and 1 right runner coupling
- 1 left and 1 right front fixing bracket for screw fixing
- 1 left and 1 right cover cap



Nom. length mm	White	Grey	Anthracite
270	552.22.760	552.22.460	552.22.560
300	552.22.761	552.22.461	552.22.561
350	552.22.762	552.22.462	552.22.562
400	552.22.763	552.22.463	552.22.563
450	552.22.764	552.22.464	552.22.564
500	552.22.765	552.22.465	552.22.565
550	552.22.766	552.22.466	552.22.566

Packing: 1 set

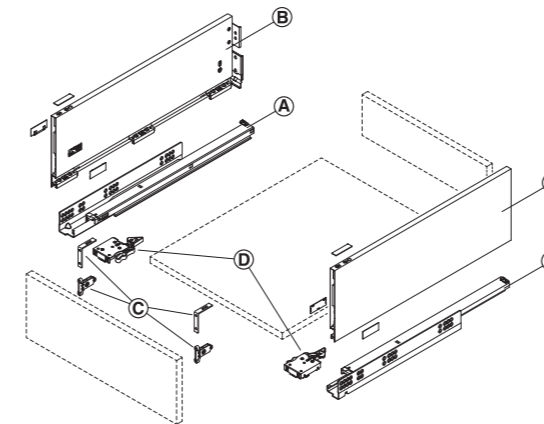
DGH-M 2017, HDE-en,10/16; Dimensional data not binding. We reserve the right to alter specifications without notice.



DGH-M 2017, HDE-en,10/16; Dimensional data not binding. We reserve the right to alter specifications without notice.

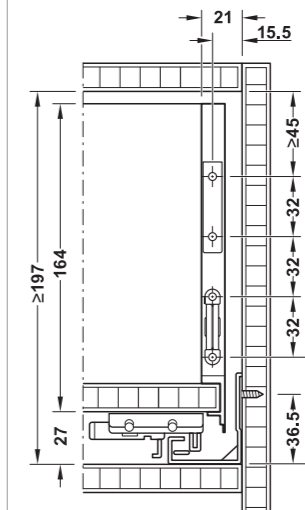
Drawer set

Drawer side height 175 mm

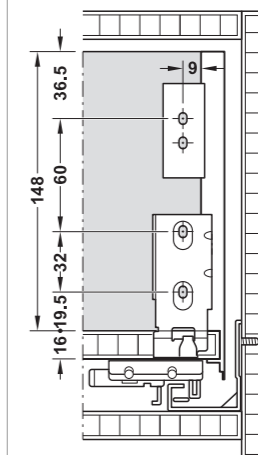


- A Cabinet runner, with Push-to-Open (optional)
- B Thin-walled drawer sides with cover caps
- C Front fixing bracket
- D Snap-in coupling

Internal installation height



Rear panel installation dimensions



- > Material: Steel
- > Finish: Drawer sides: Powder coated, cabinet runner: Zinc plated
- > Load bearing capacity: 30 kg
- > Version: Thin drawer sides of 13 mm, full extension, metal drawer sides can be replaced with wooden drawer

With self closing and soft closing mechanisms or with Push-to-Open





→ Full extension, with integrated soft closing and self closing mechanisms

> Type of pull out: Full extension, with integrated soft closing and self closing mechanisms, with integrated rear panel fitting

Supplied with

- 1 left and 1 right thin-walled drawer side with rear panel fitting
- 1 left and 1 right cabinet runner
- 1 left and 1 right runner coupling
- 1 left and 1 right front fixing bracket for screw fixing
- 1 pair of L-shaped connecting brackets
- 2 left and 2 right cover caps



Nom. length mm	White	Grey	Anthracite
270	552.23.750	552.23.450	552.23.550
300	552.23.751	552.23.451	552.23.551
350	552.23.752	552.23.452	552.23.552
400	552.23.753	552.23.453	552.23.553
450	552.23.754	552.23.454	552.23.554
500	552.23.755	552.23.455	552.23.555
550	552.23.756	552.23.456	552.23.556

Packing: 1 set

→ Full extension, with Push-to-Open

> Type of pull out: Full extension, with Push-to-Open, with integrated rear panel fitting

Supplied with

- 1 left and 1 right thin-walled drawer side with rear panel fitting
- 1 left and 1 right cabinet runner
- 1 left and 1 right runner coupling
- 1 left and 1 right front fixing bracket for screw fixing
- 1 pair of L-shaped connecting brackets
- 2 left and 2 right cover caps

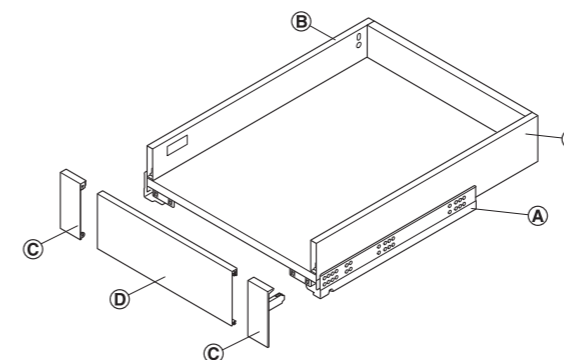


Nom. length mm	White	Grey	Anthracite
270	552.23.760	552.23.460	552.23.560
300	552.23.761	552.23.461	552.23.561
350	552.23.762	552.23.462	552.23.562
400	552.23.763	552.23.463	552.23.563
450	552.23.764	552.23.464	552.23.564
500	552.23.765	552.23.465	552.23.565
550	552.23.766	552.23.466	552.23.566

Packing: 1 set

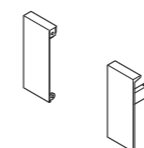
Internal drawer

→ Drawer side height 89 mm



- (A) - cabinet runner
  - (B) - thin-walled drawer side with cover caps
  - (C) - panel holder
  - (D) - panel
- Length = internal cabinet width – 95 mm

Front bracket set for internal pull out (C)

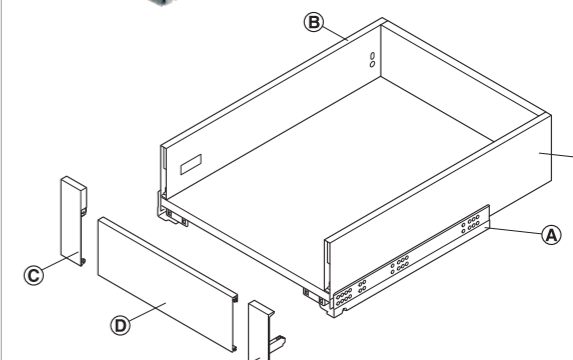


> Material: Plastic  
> Length: 89 mm

Colour	Cat. No.
White	552.31.790
Grey	552.31.690
Anthracite	552.31.590

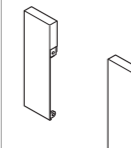
Packing: 1 or 50 pieces

→ Drawer side height 128 mm



- (A) - cabinet runner
  - (B) - thin-walled drawer side with cover caps
  - (C) - panel holder
  - (D) - panel
- Length = internal cabinet width – 95 mm

Front bracket set for internal pull out (C)



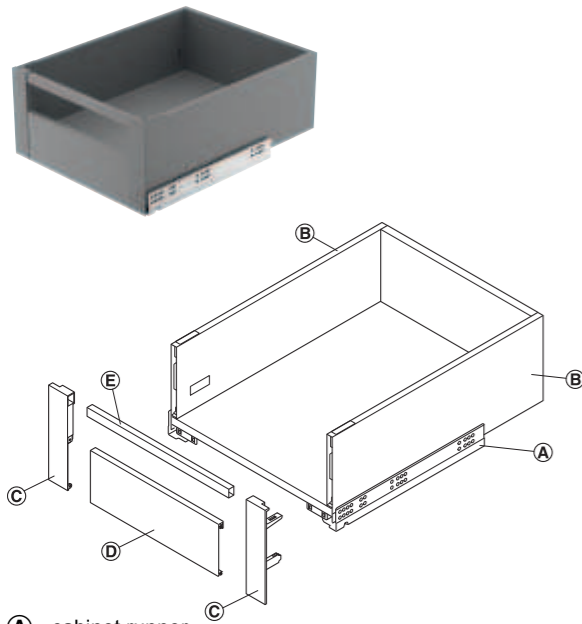
> Material: Plastic  
> Length: 128 mm

Colour	Cat. No.
White	552.31.791
Grey	552.31.691
Anthracite	552.31.591

Packing: 1 or 50 pieces

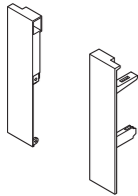


→ Drawer side height 175 mm



- Ⓐ - cabinet runner
- Ⓑ - thin-walled drawer side with cover caps
- Ⓒ - panel holder
- Ⓓ - panel  
Length = internal cabinet width – 95 mm
- Ⓔ - cross rail  
Length = internal cabinet width – 47 mm

Front bracket set for internal pull out Ⓒ

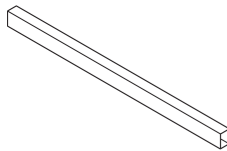


- > Material: Plastic
- > Length: 175 mm

Colour	Cat. No.
White	552.31.792
Grey	552.31.692
Anthracite	552.31.592

Packing: 1 or 50 pieces

Cross rail for internal pull out Ⓔ

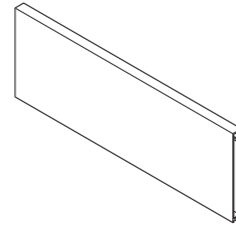


- > Material: Aluminium
- > Length: 1,100 mm
- > Installation: Cross rail must be cut to size,  
length = internal cabinet width – 47 mm

Colour	Cat. No.
White	552.31.719
Grey	552.31.619
Anthracite	552.31.519

Packing: 1 or 30 pieces

→ Panel for internal drawer Ⓓ  
For drawer side height 89, 128 and 175 mm



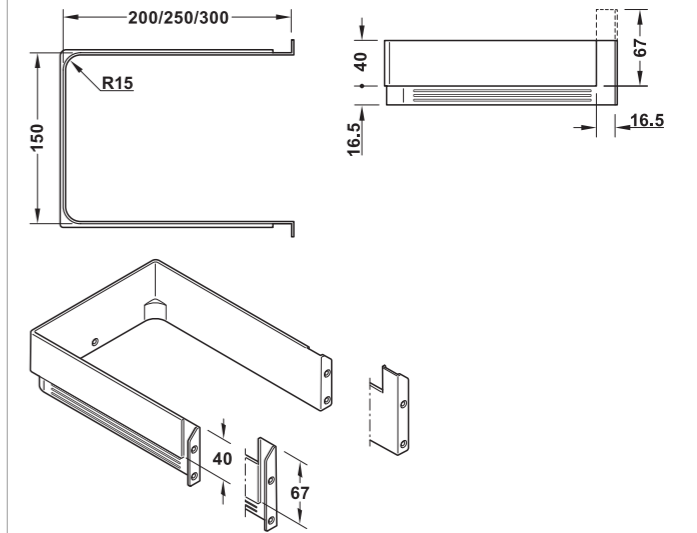
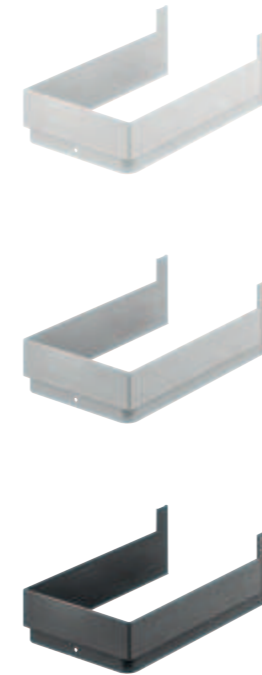
- > Material: Aluminium
- > Length: 1,100 mm
- > Height: For drawer side height 89, 128 or 175 mm
- > Installation: Panel must be cut to size,  
length = internal cabinet width – 95 mm

Colour	Cat. No.
White	552.31.709
Grey	552.31.609
Anthracite	552.31.509

Packing: 1 or 10 pieces

Insert for waste trap cut-out

- > Waste trap insert made from thermoplastic material
- > One complete component
- > Additional edging of the panel around the waste trap cut-out is not necessary
- > Inserts match the colours of the Matrix Box systems



- > Material: Plastic
- > For panel thickness: 16 mm

Length mm	White	Grey	Anthracite
<b>Height: 40 mm</b>			
200	551.63.720	551.63.520	551.63.320
250	551.63.721	551.63.521	551.63.321
300	551.63.722	551.63.522	551.63.322
<b>Height: 67 mm</b>			
200	551.63.730	551.63.530	551.63.330
250	551.63.731	551.63.531	551.63.331
300	551.63.732	551.63.532	551.63.332

Packing: 1 piece

DGH-M 2017, HDE-en,10/16; Dimensional data not binding. We reserve the right to alter specifications without notice.

DGH-M 2017, HDE-en,10/16; Dimensional data not binding. We reserve the right to alter specifications without notice.

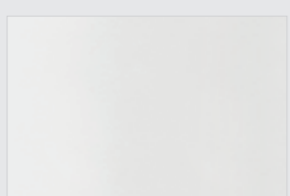
**Blum Tandembox antaro – puristic and clear**



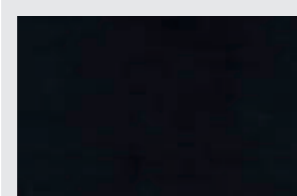
- > Straight-forward and clear design
- > Based on the Tandembox cabinet rail
- > Comprehensive product range
- > High-comfort movement

- > Material: Steel
- > Finish: Cabinet rail: Galvanized, drawer sides: Available in 3 colours
- > Type of pull-out: Full extension with Blumotion or Tip-On Blumotion

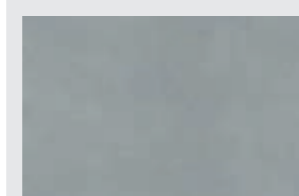
**4 drawer side colours are available**



Steel, silk white



Steel, terra black



Steel, RAL 9006 white aluminium

**Product highlights**

**Blumotion Soft closing mechanism integrated**



The soft closing mechanism integrated in the cabinet rail provides gentle and silent closing of the drawer. The adaptive closing force ensures this, irrespective of closing speed and weight of the drawer.

**Orga-Line Compartment system integrated**



The flexible lengthways and crossways dividers allow perfect organisation of the contents. High-quality stainless steel trays provide a clear overview inside the drawer. Particularly practical: The dishwasher safe trays can be removed easily.

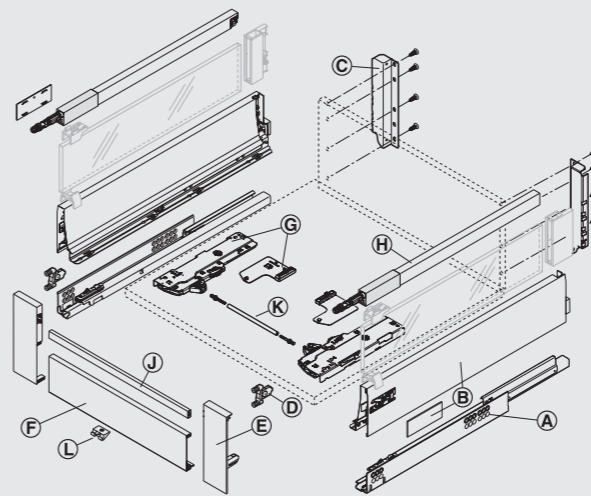
**Opening mechanism and integrated Tip-On Blumotion soft closing mechanism**



Combination of Tip-On mechanical opening aid and integrated Blumotion soft closing mechanism. The large activation area (Tip-On) provides maximum comfort, even with wide and high front panels, with synchronising action (optional). Particularly suitable for kitchens due to the small front gap of only 2.5 mm.

DGH-M 2017, HDE-en, 10/16; Dimensional data not binding. We reserve the right to alter specifications without notice.

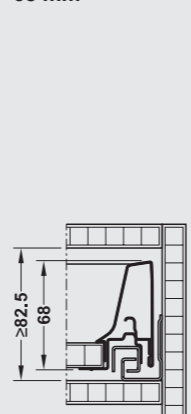
**Definition**



- A Cabinet rail
- B antaro drawer sides with cover cap
- C Rear panel fitting set
- D Front fixing bracket
- E Front bracket set for internal drawer
- F Internal panel for internal drawer
- G Tip-On Blumotion unit and follower
- H Side railing set
- J Cross rail for internal pull out
- K Synchronising set for Tip-On Blumotion
- L Support for internal panel

**Drawer side design**

**Drawer side height 68 mm**

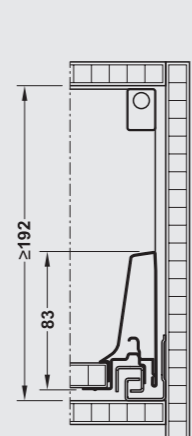


System height N

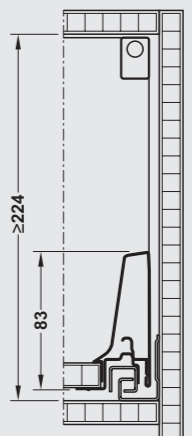
**Drawer side height 83 mm**



System height M

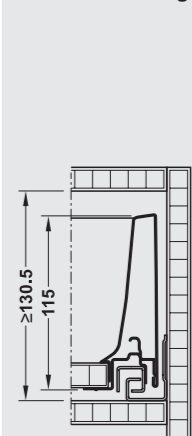


System height M with railing C

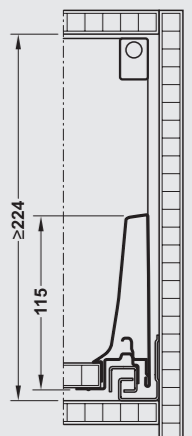


System height M with railing D

**Drawer side height 115 mm**

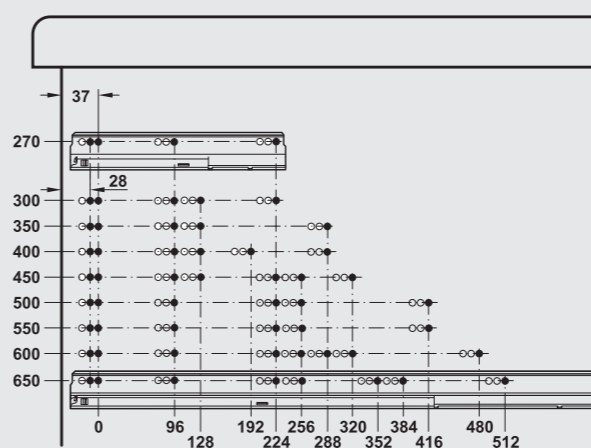


System height K

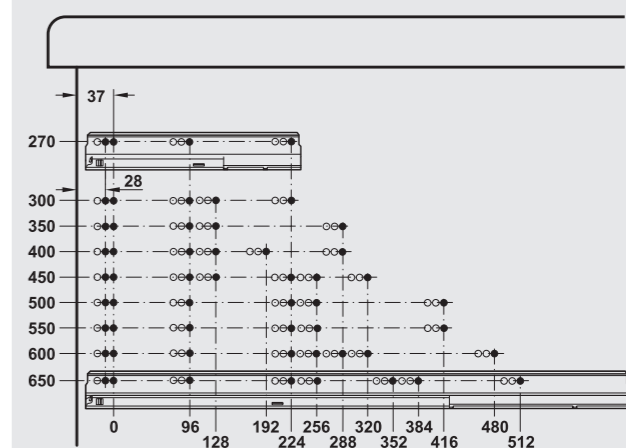


System height K with railing D

**Drilling pattern for cabinet**



Drilling pattern for Blumotion cabinet rail, load bearing capacity 30–65 kg, front gap 0 mm



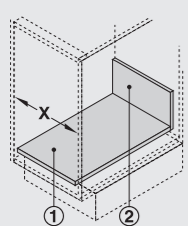
Drilling pattern for Tip-On Blumotion cabinet rail, load bearing capacity 30–65 kg, front gap 2.5 mm

DGH-M 2017, HDE-en, 10/16; Dimensional data not binding. We reserve the right to alter specifications without notice.

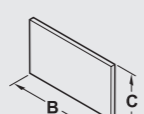




Cutting dimensions for panel (panel thickness 16 mm)



① Drawer base panel:  
A = Y - 24 mm  
B = X - 75 mm

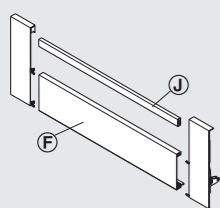


② Rear panel:  
B = X - 87 mm  
C = see table

Key  
A = length  
B = width  
C = height  
X = internal cabinet width  
Y = nominal length

	Drawer side height	System height	Load bearing capacity	Rear panel height C
<b>Drawer/internal drawer</b>				
	68 mm	N	30 kg	69 mm
	83 mm	M	30/65 kg	84 mm
	115 mm	K	30/65 kg	116 mm
<b>Pull out for door front fixing/internal pull out with railing</b>				
	83 mm	M, railing C	30/65 kg	167 mm
	83 mm	M, railing D	30/65 kg	199 mm
	115 mm	K, railing D	30/65 kg	199 mm

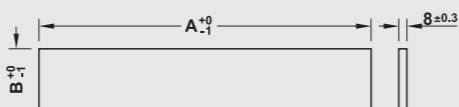
Cutting dimensions for internal pull out (accessories)



Ⓕ Panel:  
Internal cabinet width - 132 mm

Ⓖ Cross rail:  
Internal cabinet width - 122 mm

Cutting dimensions for self-manufactured insert



Length A = nominal length cabinet rail - 33 mm  
Height B = 59.5 mm (railing C)  
91.5 mm (railing D)

**Note**  
Insert elements cannot be used for drawer side height K.

DGH-M 2017, HDE-en, 10/16; Dimensional data not binding. We reserve the right to alter specifications without notice.

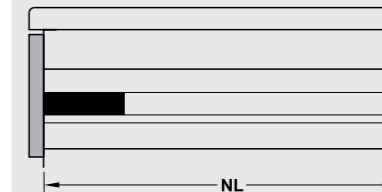


Calculation of the internal drawer space dimensions  
(panel thickness 16 mm)

Internal drawer depth = nominal length - 24 mm

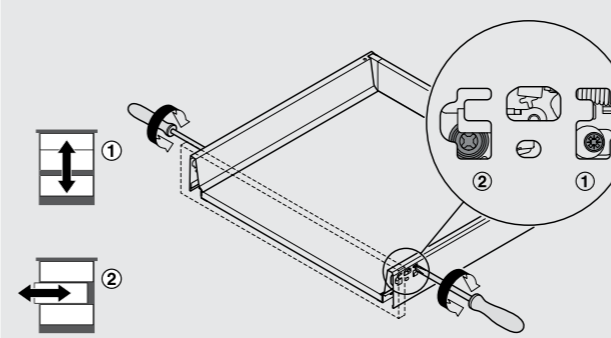
Internal cabinet depth

Min. internal cabinet depth = nominal length NL + 3 mm

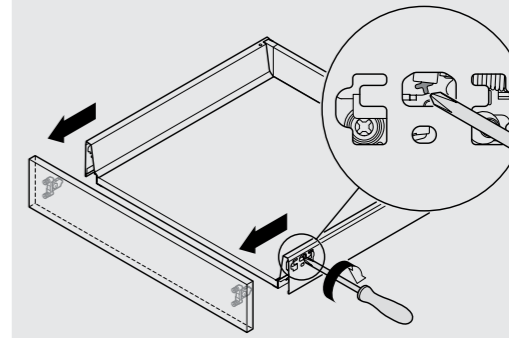


Adjustment facilities

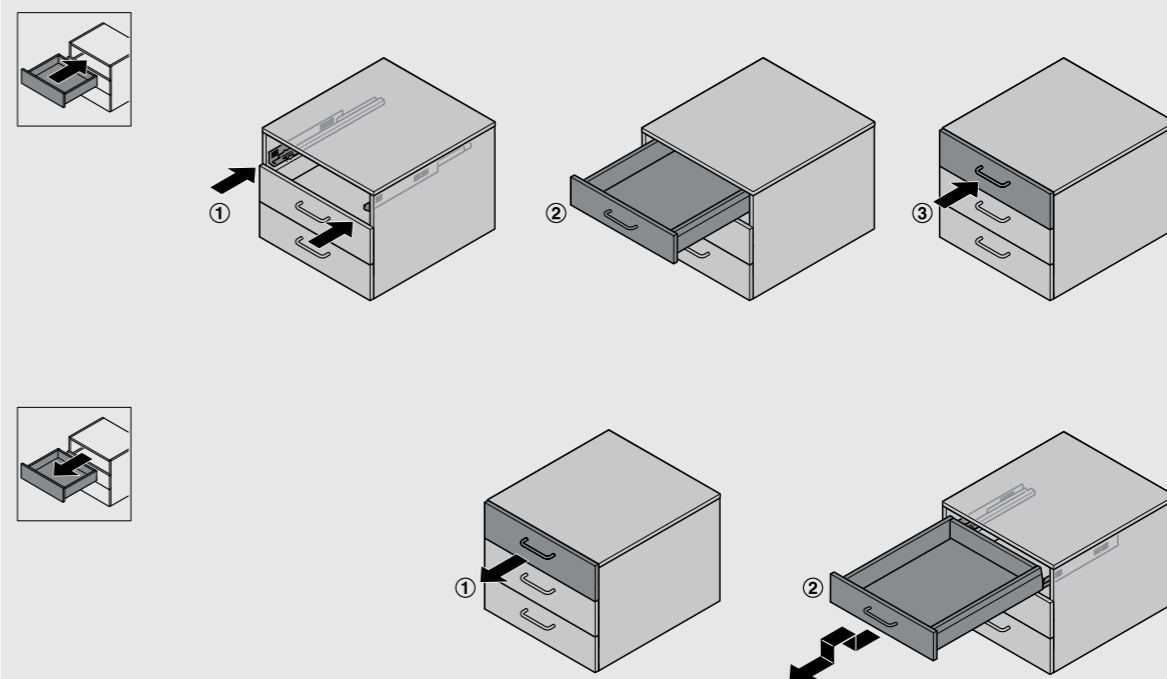
Height and side adjustment



Front panel installation without tools,  
disassembly with screwdriver



Installation and removal of the drawer



DGH-M 2017, HDE-en, 10/16; Dimensional data not binding. We reserve the right to alter specifications without notice.

Drawer/pull out for door front fixing complete set



Installation dimensions

Min. internal installation depth = nominal length + 3 mm

Supplied with

- 1 pair of cabinet rails
- 1 pair of drawer sides with cover caps (complete sets with railing C / railing D, including side railing)
- 1 pear panel fitting set (left/right)

Order reference

Front fixing brackets for drawer/pull out for door front fixing not supplied, please order separately. More information on processing, installation and internal drawers/internal pull outs can be found from page 9.46 onwards.

→ Drawer side height 68 mm, system height N

Nom. length mm	Steel		
	Silk white	Terra black	RAL 9006, white aluminium

Load bearing capacity 30 kg

400	553.84.703	553.84.303	553.84.203
450	553.84.704	553.84.304	553.84.204
500	553.84.705	553.84.305	553.84.205
550	553.84.706	553.84.306	553.84.206

Packing: 1 set

Information on drawer ► MB 9.46

→ Drawer side height 83 mm, system height M

Nom. length mm	Steel		
	Silk white	Terra black	RAL 9006, white aluminium

Load bearing capacity 30 kg

270	553.84.730	553.84.330	553.84.230
300	553.84.731	553.84.331	553.84.231
350	553.84.732	553.84.332	553.84.232
400	553.84.733	553.84.333	553.84.233
450	553.84.734	553.84.334	553.84.234
500	553.84.735	553.84.335	553.84.235
550	553.84.736	553.84.336	553.84.236
600	553.84.737	553.84.337	553.84.237

Load bearing capacity 65 kg

450	553.84.754	553.84.354	553.84.254
500	553.84.755	553.84.355	553.84.255
550	553.84.756	553.84.356	553.84.256
600	553.84.757	553.84.357	553.84.257
650	553.84.758	553.84.358	553.84.258

Packing: 1 set

Information on drawer and internal drawer ► MB 9.48

→ Drawer side height 83 mm, system height M, railing C

Nom. length mm	Steel		
	Silk white	Terra black	RAL 9006, white aluminium

Load bearing capacity 30 kg

270	550.85.760	550.85.360	550.85.260
300	550.85.761	550.85.361	550.85.261
350	550.85.762	550.85.362	550.85.262
400	550.85.763	550.85.363	550.85.263
450	550.85.764	550.85.364	550.85.264
500	550.85.765	550.85.365	550.85.265
550	550.85.766	550.85.366	550.85.266
600	550.85.767	550.85.367	550.85.267

Load bearing capacity 65 kg

450	550.85.784	550.85.384	550.85.284
500	550.85.785	550.85.385	550.85.285
550	550.85.786	550.85.386	550.85.286
600	550.85.787	550.85.387	550.85.287
650	550.85.788	550.85.388	550.85.288

Packing: 1 set

More information on internal pull out for door front fixing ► MB 9.51

→ Drawer side height 83 mm, system height M, railing D

Nom. length mm	Steel		
	Silk white	Terra black	RAL 9006, white aluminium

Load bearing capacity 30 kg

270	550.85.700	550.85.300	550.85.200
300	550.85.701	550.85.301	550.85.201
350	550.85.702	550.85.302	550.85.202
400	550.85.703	550.85.303	550.85.203
450	550.85.704	550.85.304	550.85.204
500	550.85.705	550.85.305	550.85.205
550	550.85.706	550.85.306	550.85.206
600	550.85.707	550.85.307	550.85.207

Load bearing capacity 65 kg

450	550.85.724	550.85.324	550.85.224
500	550.85.725	550.85.325	550.85.225
550	550.85.726	550.85.326	550.85.226
600	550.85.727	550.85.327	550.85.227
650	550.85.728	550.85.328	550.85.228

Packing: 1 set

More information on internal pull out for door front fixing ► MB 9.54

→ Drawer side height 115 mm, system height K

Nom. length mm	Steel		
	Silk white	Terra black	RAL 9006, white aluminium

Load bearing capacity 30 kg

270	553.84.760	553.84.360	553.84.260
300	553.84.761	553.84.361	553.84.261
350	553.84.762	553.84.362	553.84.262
400	553.84.763	553.84.363	553.84.263
450	553.84.764	553.84.364	553.84.264
500	553.84.765	553.84.365	553.84.265
550	553.84.766	553.84.366	553.84.266
600	553.84.767	553.84.367	553.84.267

Load bearing capacity 65 kg

450	553.84.784	553.84.384	553.84.284
500	553.84.785	553.84.385	553.84.285
550	553.84.786	553.84.386	553.84.286
600	553.84.787	553.84.387	553.84.287
650	553.84.788	553.84.388	553.84.288

Packing: 1 set

More information on internal pull out for door front fixing ► MB 9.57

→ Drawer side height 115 mm, system height K, railing D

Nom. length mm	Steel		
	Silk white	Terra black	RAL 9006, white aluminium

Load bearing capacity 30 kg

270	550.85.730	550.85.330	550.85.230
300	550.85.731	550.85.331	550.85.231
350	550.85.732	550.85.332	550.85.232
400	550.85.733	550.85.333	550.85.233
450	550.85.734	550.85.334	550.85.234
500	550.85.735	550.85.335	550.85.235
550	550.85.736	550.85.336	550.85.236
600	550.85.737	550.85.337	550.85.237

Load bearing capacity 65 kg

450	550.85.754	550.85.354	550.85.254
500	550.85.755	550.85.355	550.85.255
550	550.85.756	550.85.356	550.85.256
600	550.85.757	550.85.357	550.85.257
650	550.85.758	550.85.358	550.85.258

Packing: 1 set

More information on internal pull out for door front fixing ► MB 9.60

→ Front fixing bracket



Material	Installation	Model	Cat. No.
Zinc alloy	Without tools (Inserta)	ZSF.39A2	555.06.013
	For screw fixing	ZSF.35A2	555.06.011

Packing: 1, 40 or 500 pieces

Order reference

2 front fixing brackets are required for 1 drawer.

Insert elements

→ Glass insert element



For nominal length mm	Flint glass, clear	Flint glass, satin frosted
-----------------------	--------------------	----------------------------

For internal pull outs for door front fixing with system height M and railing C

270	553.98.420	553.98.020
300	553.98.421	553.98.021
350	553.98.422	553.98.022
400	553.98.423	553.98.023
450	553.98.424	553.98.024
500	553.98.425	553.98.025
550	553.98.426	553.98.026
600	553.98.427	553.98.027
650	553.98.428	553.98.028

For internal pull outs for door front fixing with system height M and railing D

270	553.98.430	553.98.030
300	553.98.431	553.98.031
350	553.98.432	553.98.032
400	553.98.433	553.98.033
450	553.98.434	553.98.034
500	553.98.435	553.98.035
550	553.98.436	553.98.036
600	553.98.437	553.98.037
650	553.98.438	553.98.038

Packing: 1 pair

→ Support set

For glass and metal insert element

> Material: Plastic

Model	Silk white	Terra black	RAL 9006, white aluminium
-------	------------	-------------	---------------------------

For internal pull outs for door front fixing with system height M and railing C

Z36C0080	553.98.790	553.98.390	553.98.690
----------	------------	------------	------------

For internal pull outs for door front fixing with system height M and railing D

Z36D0080	553.98.791	553.98.391	553.98.691
----------	------------	------------	------------

Packing: 1 set

More information on insert elements ► MB 9.68



Drawer and Pull Out for Door Front Fixing



Drawer and Pull Out for Door Front Fixing

DGH-M 2017, HDE-en,10/16; Dimensional data not binding. We reserve the right to alter specifications without notice.

DGH-M 2017, HDE-en,10/16; Dimensional data not binding. We reserve the right to alter specifications without notice.



Drawer/pull out for door front fixing complete set



Installation dimensions

Min. internal installation depth = nominal length + 3 mm

Supplied with

- 1 pair of cabinet rails
- 1 pair of drawer sides with cover caps (complete sets with railing C / railing D, including side railing)
- 1 rear panel fitting set (left/right)

Order reference

Front fixing brackets for drawer/pull out for door front fixing not supplied, please order separately.  
We recommend using the Tip-On Blumotion Synchro unit from a cabinet width of 600 mm and above.

→ Drawer side height 68 mm, system height N

Nom. length mm	Steel		
	Silk white	Terra black	RAL 9006, white aluminium
<b>Load bearing capacity 30 kg</b>			
400	551.20.703	551.20.303	551.20.203
450	551.20.704	551.20.304	551.20.204
500	551.20.705	551.20.305	551.20.205
550	551.20.706	551.20.306	551.20.206

Packing: 1 set

Information on drawer ► MB 9.46

→ Drawer side height 83 mm, system height M

Nom. length mm	Steel		
	Silk white	Terra black	RAL 9006, white aluminium
<b>Load bearing capacity 30 kg</b>			
270	551.20.720	551.20.320	551.20.220
300	551.20.721	551.20.321	551.20.221
350	551.20.722	551.20.322	551.20.222
400	551.20.723	551.20.323	551.20.223
450	551.20.724	551.20.324	551.20.224
500	551.20.725	551.20.325	551.20.225
550	551.20.726	551.20.326	551.20.226
600	551.20.727	551.20.327	551.20.227
<b>Load bearing capacity 65 kg</b>			
450	551.20.734	551.20.334	551.20.234
500	551.20.735	551.20.335	551.20.235
550	551.20.736	551.20.336	551.20.236
600	551.20.737	551.20.337	551.20.237
650	551.20.738	551.20.338	551.20.238

Packing: 1 set

Information on drawer and internal drawer ► MB 9.48

→ Drawer side height 83 mm, system height M, railing C

Nom. length mm	Steel		
	Silk white	Terra black	RAL 9006, white aluminium
<b>Load bearing capacity 30 kg</b>			
270	551.22.700	551.22.300	551.22.200
300	551.22.701	551.22.301	551.22.201
350	551.22.702	551.22.302	551.22.202
400	551.22.703	551.22.303	551.22.203
450	551.22.704	551.22.304	551.22.204
500	551.22.705	551.22.305	551.22.205
550	551.22.706	551.22.306	551.22.206
600	551.22.707	551.22.307	551.22.207
<b>Load bearing capacity 65 kg</b>			
450	551.22.714	551.22.314	551.22.214
500	551.22.715	551.22.315	551.22.215
550	551.22.716	551.22.316	551.22.216
600	551.22.717	551.22.317	551.22.217
650	551.22.718	551.22.318	551.22.218

Packing: 1 set

Information on drawer and internal drawer ► MB 9.51

→ Drawer side height 83 mm, system height M, railing D

Nom. length mm	Steel		
	Silk white	Terra black	RAL 9006, white aluminium
<b>Load bearing capacity 30 kg</b>			
270	551.22.720	551.22.320	551.22.220
300	551.22.721	551.22.321	551.22.221
350	551.22.722	551.22.322	551.22.222
400	551.22.723	551.22.323	551.22.223
450	551.22.724	551.22.324	551.22.224
500	551.22.725	551.22.325	551.22.225
550	551.22.726	551.22.326	551.22.226
600	551.22.727	551.22.327	551.22.227
<b>Load bearing capacity 65 kg</b>			
450	551.22.734	551.22.334	551.22.234
500	551.22.735	551.22.335	551.22.235
550	551.22.736	551.22.336	551.22.236
600	551.22.737	551.22.337	551.22.237
650	551.22.738	551.22.338	551.22.238

Packing: 1 set

Information on drawer and internal drawer ► MB 9.54

The Tip-On Blumotion unit must be ordered separately for each set.

DGH-M 2017, HDE-en,10/16; Dimensional data not binding. We reserve the right to alter specifications without notice.

→ Drawer side height 115 mm, system height K

Nom. length mm	Steel		
	Silk white	Terra black	RAL 9006, white aluminium
<b>Load bearing capacity 30 kg</b>			
270	551.20.740	551.20.340	551.20.240
300	551.20.741	551.20.341	551.20.241
350	551.20.742	551.20.342	551.20.242
400	551.20.743	551.20.343	551.20.243
450	551.20.744	551.20.344	551.20.244
500	551.20.745	551.20.345	551.20.245
550	551.20.746	551.20.346	551.20.246
600	551.20.747	551.20.347	551.20.247
<b>Load bearing capacity 65 kg</b>			
450	551.20.754	551.20.354	551.20.254
500	551.20.755	551.20.355	551.20.255
550	551.20.756	551.20.356	551.20.256
600	551.20.757	551.20.357	551.20.257
650	551.20.758	551.20.358	551.20.258

Packing: 1 set

Information on drawer and internal drawer ► MB 9.57

→ Drawer side height 115 mm, system height K, railing D

Nom. length mm	Steel		
	Silk white	Terra black	RAL 9006, white aluminium
<b>Load bearing capacity 30 kg</b>			
270	551.22.740	551.22.340	551.22.240
300	551.22.741	551.22.341	551.22.241
350	551.22.742	551.22.342	551.22.242
400	551.22.743	551.22.343	551.22.243
450	551.22.744	551.22.344	551.22.244
500	551.22.745	551.22.345	551.22.245
550	551.22.746	551.22.346	551.22.246
600	551.22.747	551.22.347	551.22.247
<b>Load bearing capacity 65 kg</b>			
450	551.22.754	551.22.354	551.22.254
500	551.22.755	551.22.355	551.22.255
550	551.22.756	551.22.356	551.22.256
600	551.22.757	551.22.357	551.22.257
650	551.22.758	551.22.358	551.22.258

Packing: 1 set

Information on drawer and internal drawer ► MB 9.60

Tip-On Blumotion Unit and follower

Note

Load bearing capacity = recommended load bearing capacity (total weight of pull out including load) for optimum opening and closing function

Model	For nominal length mm	Load bearing capacity kg	Cat. no.
T60B3030	270–300	Up to 10	555.01.040
T60B3130		10 to 20	555.01.041
T60B3330	350–600	Up to 20	555.01.042
T60B3530		15 to 40	555.01.043
T60B3560	450–650	35 to 65	555.01.044

Packing: 1 set

DGH-M 2017, HDE-en, 01/17; Dimensional data not binding. We reserve the right to alter specifications without notice.

→ Front fixing bracket



Material	Installation	Model	Cat. No.
Zinc alloy	Without tools (Inserta)	ZSF.39A2	555.06.013
	For screw fixing	ZSF.35A2	555.06.011

Packing: 1, 40 or 500 pieces

Order reference

2 front fixing brackets are required for 1 drawer.

Insert elements

→ Glass insert element



For nominal length mm	Flint glass, clear	Flint glass, satin frosted
-----------------------	--------------------	----------------------------

For internal pull outs for door front fixing with system height M and railing C

270	553.98.420	553.98.020
300	553.98.421	553.98.021
350	553.98.422	553.98.022
400	553.98.423	553.98.023
450	553.98.424	553.98.024
500	553.98.425	553.98.025
550	553.98.426	553.98.026
600	553.98.427	553.98.027
650	553.98.428	553.98.028

For internal pull outs for door front fixing with system height M and railing D

270	553.98.430	553.98.030
300	553.98.431	553.98.031
350	553.98.432	553.98.032
400	553.98.433	553.98.033
450	553.98.434	553.98.034
500	553.98.435	553.98.035
550	553.98.436	553.98.036
600	553.98.437	553.98.037
650	553.98.438	553.98.038

Packing: 1 pair

→ Support set

For glass and metal insert element

> Material: Plastic

Model	Silk white	Terra black	RAL 9006, white aluminium
-------	------------	-------------	---------------------------

For internal pull outs for door front fixing with system height M and railing C

Z36C0080	553.98.790	553.98.390	553.98.690
----------	------------	------------	------------

For internal pull outs for door front fixing with system height M and railing D

Z36D0080	553.98.791	553.98.391	553.98.691
----------	------------	------------	------------

Packing: 1 set

More information on insert elements ► MB 9.68





**Drawer**

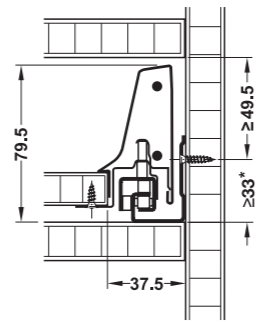
Drawer side height 68 mm, system height N



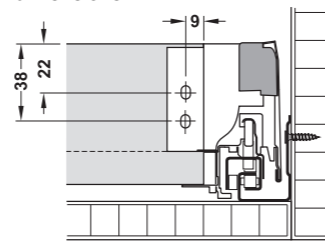
Drawer



Internal installation height



Rear panel installation dimensions



\* with Tip-On Blumotion cabinet rail 36 mm, with synchronisation rod directly above cabinet base panel or strut 39 mm

**Installation dimensions**

Min. internal installation depth = nominal length + 3 mm

**With Blumotion cabinet rail**

> Type of pull out: Full extension with Blumotion, the soft closing mechanism integrated in the cabinet rail provides gentle and silent closing of the drawer

**Note**

We recommend using the parallel control from a cabinet width of 900 mm and above. The base support bracket is required from a cabinet width of 750 mm and above.

Nom. length mm	Steel		
	Silk white	Terra black	RAL 9006, white aluminium
<b>Load bearing capacity 30 kg</b>			
400	553.84.703	553.84.303	553.84.203
450	553.84.704	553.84.304	553.84.204
500	553.84.705	553.84.305	553.84.205
550	553.84.706	553.84.306	553.84.206

Packing: 1 set

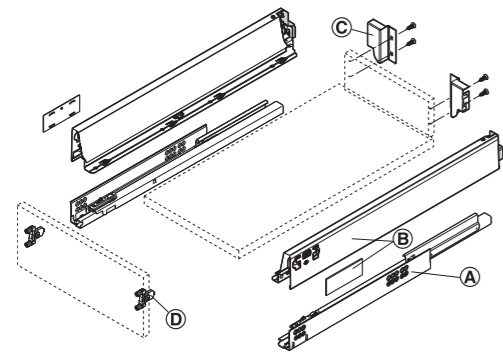
**Order reference**

Front fixing brackets **D** for drawer not supplied, please order separately.

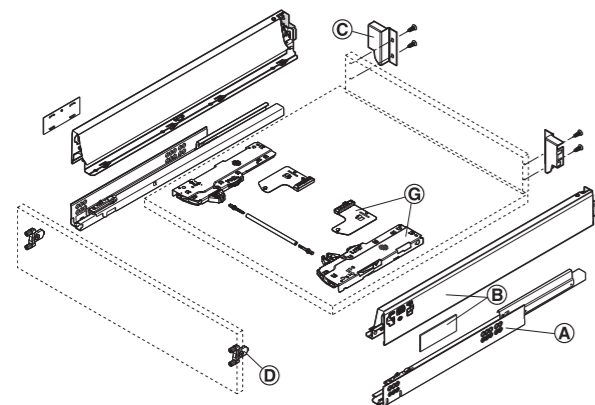
Parallel control	► MB 9.69
Base support bracket, front stabiliser	► MB 9.70

→ **Set for drawer**

Drawer side height 68 mm, system height N



Drawer with Blumotion cabinet rail



Drawer with Tip-On Blumotion cabinet rail

**Supplied with**

- 1 pair of cabinet rails **A**
- 1 pair of drawer sides including cover caps **B**
- 1 rear panel fitting set, height 53 mm (left/right) **C**

Individual components	► MB 9.66
Blum Tandembox antaro drawer side runner system	► MB 9.39

**With Tip-On Blumotion cabinet rail**

> Type of pull out: Full extension with Tip-On and Blumotion, with this cabinet rail a gentle push on the handle-free front panel suffices to open the drawer, the integrated soft closing mechanism provides gentle and silent closing of the drawer.

The Tip-On Blumotion unit must be ordered separately for each set.

**Note**

We recommend using the parallel control from a cabinet width of 900 mm and above. It is generally recommended to use the synchronising set for Tip-On Blumotion for all cabinet widths. The base support bracket and the support for synchronisation shaft are required from a cabinet width of 750 mm and above.

Nom. length mm	Steel		
	Silk white	Terra black	RAL 9006, white aluminium
<b>Load bearing capacity 30 kg</b>			
400	551.20.703	551.20.303	551.20.203
450	551.20.704	551.20.304	551.20.204
500	551.20.705	551.20.305	551.20.205
550	551.20.706	551.20.306	551.20.206

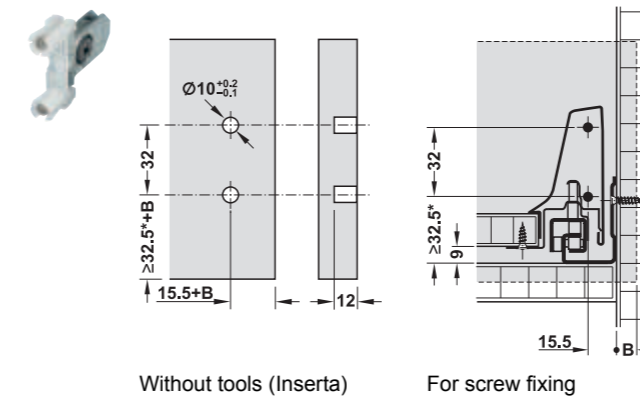
Packing: 1 set

**Order reference**

Front fixing brackets **D** for drawer not supplied, please order separately.

Parallel control	► MB 9.69
Tip-On Blumotion synchro unit	► MB 9.69
Base support bracket, support for synchronisation shaft, front stabiliser	► MB 9.70

→ **Front fixing bracket **D****



**Tip-On Blumotion Unit and follower **G****

**Note**

Load bearing capacity = recommended load bearing capacity (total weight of pull out including load) for optimum opening and closing function

Model	For nominal length mm	Load bearing capacity kg	Cat. No.
T60B3030	270–300	Up to 10	555.01.040
T60B3130		10 to 20	555.01.041
T60B3330	350–600	Up to 20	555.01.042
T60B3530		15 to 40	555.01.043
T60B3560	450–650	35 to 65	555.01.044

Packing: 1 set

Material	Installation	Model	Cat. No.
Zinc alloy	Without tools (Inserta)	ZSF.39A2	555.06.013
	For screw fixing	ZSF.35A2	555.06.011

Packing: 1, 40 or 500 pieces

**Order reference**

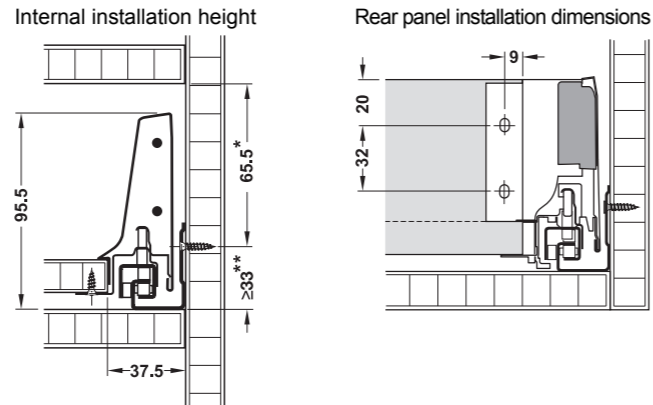
2 front fixing brackets are required for 1 drawer.

B = panel overlay  
\* with Tip-On Blumotion cabinet rail 35.5 mm, with synchronisation rod directly above cabinet base panel or strut 38.5 mm

**Drawer and internal drawer**  
Drawer side height 83 mm, system height M



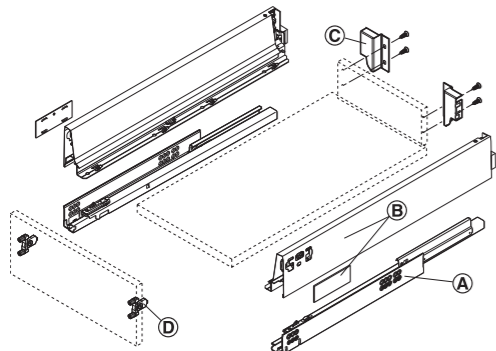
Drawer



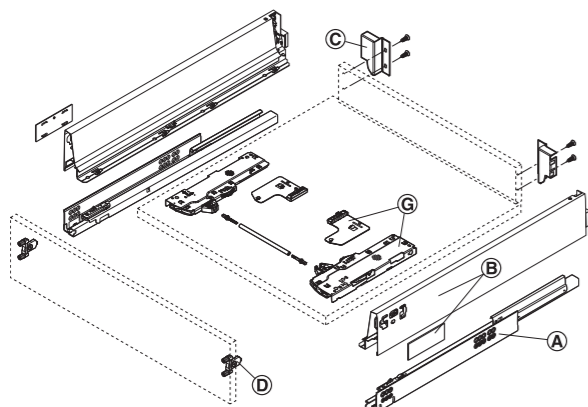
\* with internal drawer 103.5 mm, with internal drawer with handle (ZIF.80M5) 73 mm \*\* with Tip-On Blumotion cabinet rail 36 mm, with synchronisation rod directly above cabinet base panel or strut 39 mm

**Installation dimensions**  
Min. internal installation depth = nominal length + 3 mm

→ **Set for drawer**  
Drawer side height 83 mm, system height M



Drawer with Blumotion cabinet rail



Drawer with Tip-On Blumotion cabinet rail

**Supplied with**  
1 pair of cabinet rails (A)  
1 pair of drawer sides including cover caps (B)  
1 rear panel fitting set, height 68 mm (left/right) (C)

Individual components	► MB 9.66
Information on drawer and internal drawer	► MB 9.39

**With Blumotion cabinet rail**  
> Type of pull out: Full extension with Blumotion, the soft closing mechanism integrated in the cabinet rail provides gentle and silent closing of the drawer

**Note**  
We recommend using the parallel control from a cabinet width of 900 mm and above. The base support bracket is required from a cabinet width of 750 mm and above.

Nom. length mm	Steel Silk white	Terra black	RAL 9006, white aluminium
----------------	------------------	-------------	---------------------------

Load bearing capacity 30 kg			
270	553.84.730	553.84.330	553.84.230
300	553.84.731	553.84.331	553.84.231
350	553.84.732	553.84.332	553.84.232
400	553.84.733	553.84.333	553.84.233
450	553.84.734	553.84.334	553.84.234
500	553.84.735	553.84.335	553.84.235
550	553.84.736	553.84.336	553.84.236
600	553.84.737	553.84.337	553.84.237

Load bearing capacity 65 kg			
450	553.84.754	553.84.354	553.84.254
500	553.84.755	553.84.355	553.84.255
550	553.84.756	553.84.356	553.84.256
600	553.84.757	553.84.357	553.84.257
650	553.84.758	553.84.358	553.84.258

Packing: 1 set

**Order reference**  
Front fixing brackets (D) for drawer not supplied, please order separately.

Individual components	► MB 9.69
Base support bracket, front stabiliser	► MB 9.70

**With Tip-On Blumotion cabinet rail**

> Type of pull out: Full extension with Tip-On and Blumotion, with this cabinet rail a gentle push on the handle-free front panel suffices to open the drawer, the integrated soft closing mechanism provides gentle and silent closing of the drawer

The Tip-On Blumotion unit must be ordered separately for each set.

**Note**  
We recommend using the parallel control from a cabinet width of 900 mm and above. It is generally recommended to use the synchronising set for Tip-On Blumotion for all cabinet widths. The base support bracket and the support for synchronisation shaft are required from a cabinet width of 750 mm and above.

Nom. length mm	Steel Silk white	Terra black	RAL 9006, white aluminium
----------------	------------------	-------------	---------------------------

Load bearing capacity 30 kg			
270	551.20.720	551.20.320	551.20.220
300	551.20.721	551.20.321	551.20.221
350	551.20.722	551.20.322	551.20.222
400	551.20.723	551.20.323	551.20.223
450	551.20.724	551.20.324	551.20.224
500	551.20.725	551.20.325	551.20.225
550	551.20.726	551.20.326	551.20.226
600	551.20.727	551.20.327	551.20.227

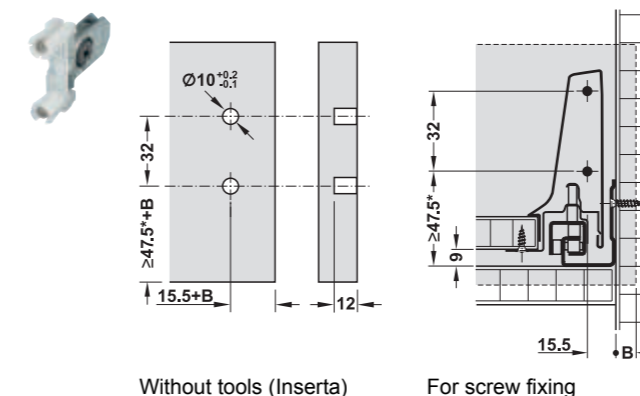
Load bearing capacity 65 kg			
450	551.20.734	551.20.334	551.20.234
500	551.20.735	551.20.335	551.20.235
550	551.20.736	551.20.336	551.20.236
600	551.20.737	551.20.337	551.20.237
650	551.20.738	551.20.338	551.20.238

Packing: 1 set

**Order reference**  
Front fixing brackets (D) for drawer not supplied, please order separately.

Parallel control	► MB 9.69
Tip-On Blumotion synchro unit	► MB 9.69
Base support bracket, support for synchronisation shaft, front stabiliser	► MB 9.70

→ **Front fixing bracket (D)**



Without tools (Inserta)

For screw fixing

**Tip-On Blumotion Unit and follower (G)**

**Note**  
Load bearing capacity = recommended load bearing capacity (total weight of pull out including load) for optimum opening and closing function

Model	For nominal length mm	Load bearing capacity kg	Cat. No.
T60B3030	270–300	Up to 10	555.01.040
T60B3130		10 to 20	555.01.041
T60B3330	350–600	Up to 20	555.01.042
T60B3530		15 to 40	555.01.043
T60B3560	450–650	35 to 65	555.01.044

Packing: 1 set

Material	Installation	Model	Cat. No.
Zinc alloy	Without tools (Inserta)	ZSF.39A2	555.06.013
	For screw fixing	ZSF.35A2	555.06.011

Packing: 1, 40 or 500 pieces

**Order reference**  
2 front fixing brackets are required for 1 drawer.

B = panel overlay  
\* with Tip-On Blumotion cabinet rail 50.5 mm, with synchronisation rod directly above cabinet base panel or strut 53.5 mm



Internal drawer

Drawer side height 83 mm, system height M



→ Front bracket set for internal drawer (E)



> Material: Plastic  
> Model: ZIF.71M0

Colour	Cat. No.
Silk white	553.91.773
Black	553.91.373
White grey	553.91.673

Packing: 1 piece

→ Panel for internal drawer (F)



> Material: Aluminium  
> Length: 1,036 mm  
> For cabinet width: Max. 1,200 mm  
> Model: Z31L1036A  
> Installation: Panel must be cut to size, length = internal cabinet width – 132 mm

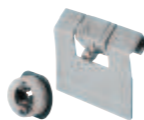
Finish/colour	Cat. No.
Silk white	553.91.739
Terra black	553.91.339
RAL 9006, white aluminium	553.91.239

Packing: 1 piece

→ Handle for internal drawer (G)



Handle



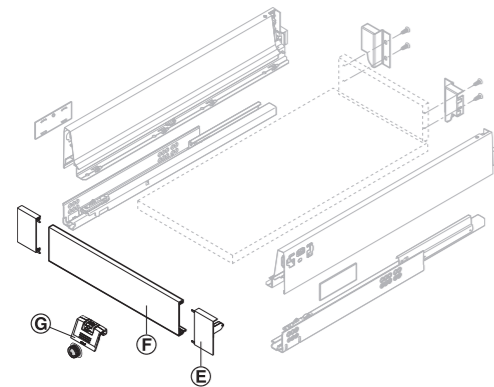
Handle/follower

> Area of application: Handle for extending the internal drawer, the combination of handle and follower allows extending the drawer and internal drawer at the same time  
> Material: Plastic

Colour	Handle ZIF.80M5	Handle/follower ZIF.80M7
Silk white	553.91.741	553.91.740
Black	553.91.341	553.91.340
White grey	553.91.641	553.91.640

Packing: 1 piece

Drawer, system height M	► MB 9.48
Blum Tandembox compartment system	► MB 9.164
Planning and construction	► MB 9.39



Installation

The complete internal drawer with drawer side height 83 mm consists of front bracket set (E), panel (F), handle (G) and drawer with drawer side height 83 mm. Specifications for internal installation height and installation dimensions of the rear panel are identical to the drawer with drawer side height 83 mm.

DGH-M 2017, HDE-en,10/16; Dimensional data not binding. We reserve the right to alter specifications without notice.

Internal pull out for door front fixing

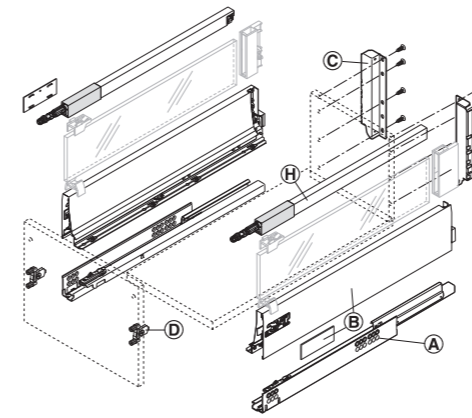
Drawer side height 83 mm, system height M, railing C



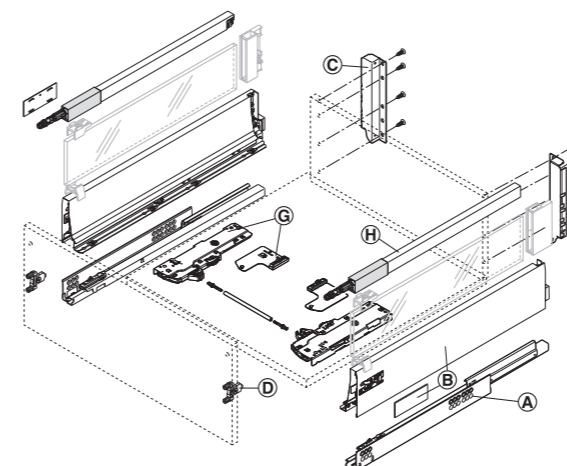
Pull out for door front fixing

→ Set for pull out for door front fixing

Drawer side height 83 mm, system height M, railing C



Pull out for door front fixing with Blumotion cabinet rail



Pull out for door front fixing with Tip-On Blumotion cabinet rail

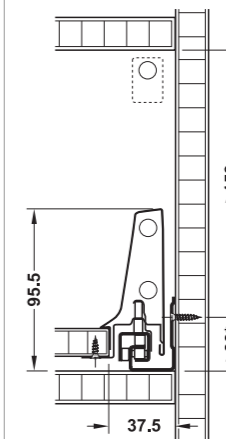
Supplied with

- 1 pair of cabinet rails (A)
- 1 pair of drawer sides including cover caps (B)
- 1 side railing set (left/right), matches the colour of the drawer sides (H)
- 1 rear panel fitting set, height 192 mm (left/right) (C)

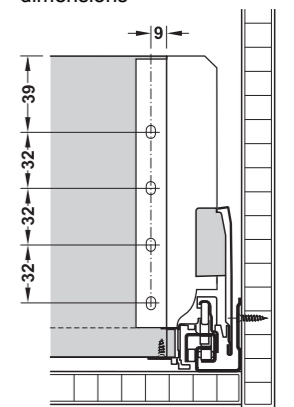
Individual components	► MB 9.66
Blum Tandembox antaro planning and construction	► MB 9.39



Internal installation height



Rear panel installation dimensions



\* with Tip-On Blumotion cabinet rail 36 mm, with synchronisation rod directly above cabinet base panel or strut 39 mm

Installation dimensions

Min. internal installation depth = nominal length + 3 mm

With Blumotion cabinet rail

> Type of pull out: Full extension with Blumotion, the soft closing mechanism integrated in the cabinet rail provides gentle and silent closing of the drawer

Note

We recommend using the parallel control from a cabinet width of 900 mm and above. The base support bracket is required from a cabinet width of 750 mm and above.

Nom. length mm	Steel		
	Silk white	Terra black	RAL 9006, white aluminium
<b>Load bearing capacity 30 kg</b>			
270	550.85.760	550.85.360	550.85.260
300	550.85.761	550.85.361	550.85.261
350	550.85.762	550.85.362	550.85.262
400	550.85.763	550.85.363	550.85.263
450	550.85.764	550.85.364	550.85.264
500	550.85.765	550.85.365	550.85.265
550	550.85.766	550.85.366	550.85.266
600	550.85.767	550.85.367	550.85.267

Load bearing capacity 65 kg

450	550.85.784	550.85.384	550.85.284
500	550.85.785	550.85.385	550.85.285
550	550.85.786	550.85.386	550.85.286
600	550.85.787	550.85.387	550.85.287
650	550.85.788	550.85.388	550.85.288

Packing: 1 set

Order reference

Front fixing brackets (D) for pull out for door front fixing not supplied, please order separately.

Insert elements	► MB 9.68
Parallel control	► MB 9.69
Base support bracket, front stabiliser	► MB 9.70

DGH-M 2017, HDE-en,10/16; Dimensional data not binding. We reserve the right to alter specifications without notice.



With Tip-On Blumotion cabinet rail

> Type of pull out: Full extension with Tip-On and Blumotion, with this cabinet rail a gentle push on the handle-free front panel suffices to open the drawer, the integrated soft closing mechanism provides gentle and silent closing of the drawer

The Tip-On Blumotion unit must be ordered separately for each set.

**Note**  
We recommend using the parallel control from a cabinet width of 900 mm and above. It is generally recommended to use the synchronising set for Tip-On Blumotion for all cabinet widths. The base support bracket and the support for synchronisation shaft are required from a cabinet width of 750 mm and above.

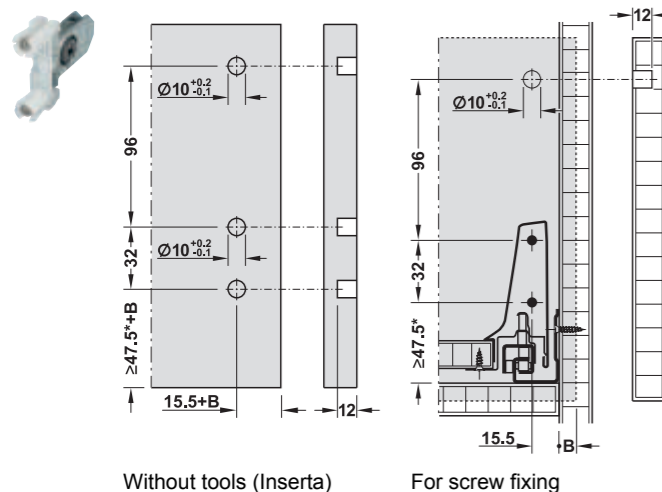
Nom. length mm	Steel Silk white	Terra black	RAL 9006, white aluminium
<b>Load bearing capacity 30 kg</b>			
270	551.22.700	551.22.300	551.22.200
300	551.22.701	551.22.301	551.22.201
350	551.22.702	551.22.302	551.22.202
400	551.22.703	551.22.303	551.22.203
450	551.22.704	551.22.304	551.22.204
500	551.22.705	551.22.305	551.22.205
550	551.22.706	551.22.306	551.22.206
600	551.22.707	551.22.307	551.22.207
<b>Load bearing capacity 65 kg</b>			
450	551.22.714	551.22.314	551.22.214
500	551.22.715	551.22.315	551.22.215
550	551.22.716	551.22.316	551.22.216
600	551.22.717	551.22.317	551.22.217
650	551.22.718	551.22.318	551.22.218

Packing: 1 set

**Order reference**

Front fixing brackets (D) for drawer not supplied, please order separately.

→ Front fixing bracket (D)



Material	Installation	Model	Cat. No.
Zinc alloy	Without tools (Inserta)	ZSF.39A2	555.06.013
	For screw fixing	ZSF.35A2	555.06.011

Packing: 1, 40 or 500 pieces

**Order reference**

2 front fixing brackets are required for 1 drawer.

B = panel overlay  
\* with Tip-On Blumotion cabinet rail 50.5 mm, with synchronisation rod directly above cabinet base panel or strut 53.5 mm

Tip-On Blumotion Unit and follower (G)

**Note**

Load bearing capacity = recommended load bearing capacity (total weight of pull out including load) for optimum opening and closing function

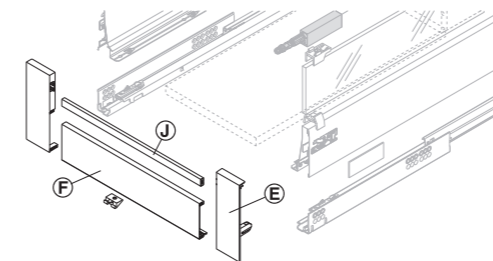
Model	For nominal length mm	Load bearing capacity kg	Cat. No.
T60B3030	270–300	Up to 10	555.01.040
T60B3130		10 to 20	555.01.041
T60B3330	350–600	Up to 20	555.01.042
T60B3530		15 to 40	555.01.043
T60B3560	450–650	35 to 65	555.01.044

Packing: 1 set

Insert elements	► MB 9.68
Parallel control	► MB 9.69
Tip-On Blumotion synchro unit	► MB 9.69
Base support bracket, support for synchronisation shaft, front stabiliser	► MB 9.70

Internal pull out

Drawer side height 83 mm, system height M, railing C



**Installation**

The complete internal pull out with drawer side height 83 mm and railing C consists of front bracket set (E), panel (F), cross railing (J) and pull out for door front fixing with drawer side height 83 mm and railing C.

Specifications for internal installation height and installation dimensions of the rear panel are identical to the pull out for door front fixing with drawer side height 83 mm and railing C.

→ Front bracket set for internal pull out (E)



> Material: Plastic  
> Model: ZIF.74C0

Colour	Cat. No.
Silk white	553.91.760
Black	553.91.360
White grey	553.91.660

Packing: 1 piece

→ Panel for internal drawer (F)



> Material: Aluminium  
> Length: 1,036 mm  
> For cabinet width: Max. 1,200 mm  
> Model: Z31L1036A  
> Installation: Panel must be cut to size, length = internal cabinet width – 132 mm

Finish/colour	Cat. No.
Silk white	553.91.739
Terra black	553.91.339
RAL 9006, white aluminium	553.91.239

Packing: 1 piece

→ Cross rail for internal pull out (J)



> Material: Aluminium  
> Length: 1,046 mm  
> For cabinet width: Max. 1,200 mm  
> Model: ZRG.1046Z  
> Installation: Cross rail must be cut to size, length = internal cabinet width – 122 mm

Finish/colour	Cat. No.
Silk white	553.89.719
Terra black	553.89.319
RAL 9006, white aluminium	553.89.219

Packing: 1 piece

Pull out for door front fixing, system height M, railing C	► MB 9.51
Insert elements	► MB 9.68
Blum Tandembox compartment system	► MB 9.167
Planning and construction	► MB 9.39

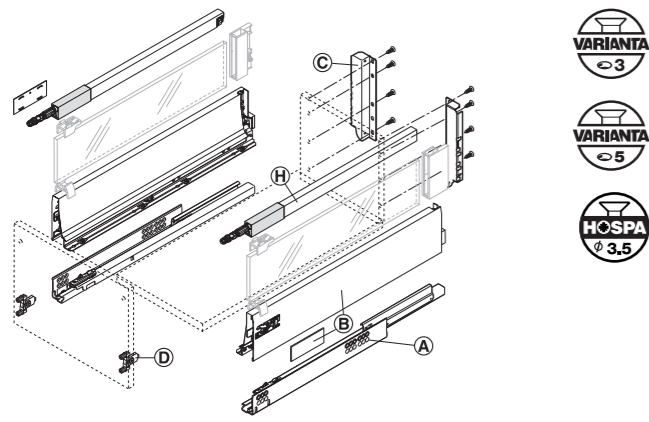


**Internal pull out for door front fixing**  
Drawer side height 83 mm, system height M, railing D

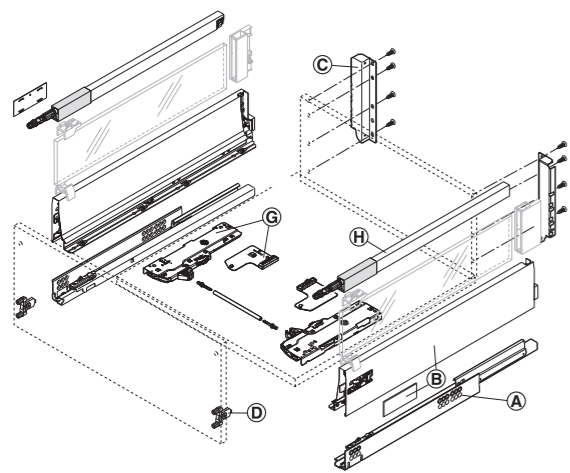


Pull out for door front fixing

→ **Set for pull out for door front fixing**  
Drawer side height 83 mm, system height M, railing D



Pull out for door front fixing with Blumotion cabinet rail

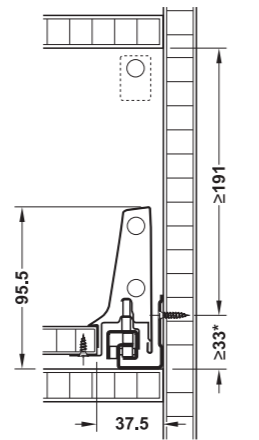


Pull out for door front fixing with Tip-On Blumotion cabinet rail

- Supplied with**
- 1 pair of cabinet rails (A)
  - 1 pair of drawer sides including cover caps (B)
  - 1 side railing set (left/right), matches the colour of the drawer sides (H)
  - 1 rear panel fitting set, height 224 mm (left/right) (C)

Individual components	▶ MB 9.66
Blum Tandembox antaro planning and construction	▶ MB 9.39

Internal installation height



\* with Tip-On Blumotion cabinet rail 36 mm, with synchronisation rod directly above cabinet base panel or strut 39 mm

**Installation dimensions**

Min. internal installation depth = nominal length + 3 mm

**With Blumotion cabinet rail**

> Type of pull out: Full extension with Blumotion, the soft closing mechanism integrated in the cabinet rail provides gentle and silent closing of the drawer.

**Note**

We recommend using the parallel control from a cabinet width of 900 mm and above. The base support bracket is required from a cabinet width of 750 mm and above.

Nom. length mm	Steel		
	Silk white	Terra black	RAL 9006, white aluminium

Load bearing capacity 30 kg			
270	550.85.700	550.85.300	550.85.200
300	550.85.701	550.85.301	550.85.201
350	550.85.702	550.85.302	550.85.202
400	550.85.703	550.85.303	550.85.203
450	550.85.704	550.85.304	550.85.204
500	550.85.705	550.85.305	550.85.205
550	550.85.706	550.85.306	550.85.206
600	550.85.707	550.85.307	550.85.207

Load bearing capacity 65 kg			
450	550.85.724	550.85.324	550.85.224
500	550.85.725	550.85.325	550.85.225
550	550.85.726	550.85.326	550.85.226
600	550.85.727	550.85.327	550.85.227
650	550.85.728	550.85.328	550.85.228

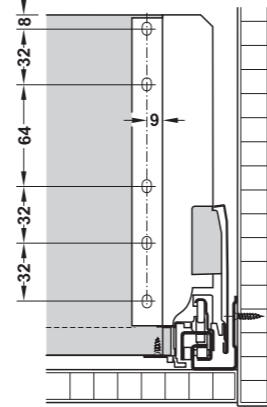
Packing: 1 set

**Order reference**

Front fixing brackets (D) for pull out for door front fixing not supplied, please order separately.

Insert elements	▶ MB 9.68
Parallel control	▶ MB 9.69
Base support bracket, front stabiliser	▶ MB 9.70

Rear panel installation dimensions



DGH-M 2017, HDE-en, 10/16; Dimensional data not binding. We reserve the right to alter specifications without notice.

**With Tip-On Blumotion cabinet rail**

> Type of pull out: Full extension with Tip-On and Blumotion, with this cabinet rail a gentle push on the handle-free front panel suffices to open the drawer, the integrated soft closing mechanism provides gentle and silent closing of the drawer.

The Tip-On Blumotion unit must be ordered separately for each set.

**Note**

We recommend using the parallel control from a cabinet width of 900 mm and above. It is generally recommended to use the synchronising set for Tip-On Blumotion for all cabinet widths. The base support bracket and the support for synchronisation shaft are required from a cabinet width of 750 mm and above.

Nom. length mm	Steel		
	Silk white	Terra black	RAL 9006, white aluminium

Load bearing capacity 30 kg			
270	551.22.720	551.22.320	551.22.220
300	551.22.721	551.22.321	551.22.221
350	551.22.722	551.22.322	551.22.222
400	551.22.723	551.22.323	551.22.223
450	551.22.724	551.22.324	551.22.224
500	551.22.725	551.22.325	551.22.225
550	551.22.726	551.22.326	551.22.226
600	551.22.727	551.22.327	551.22.227

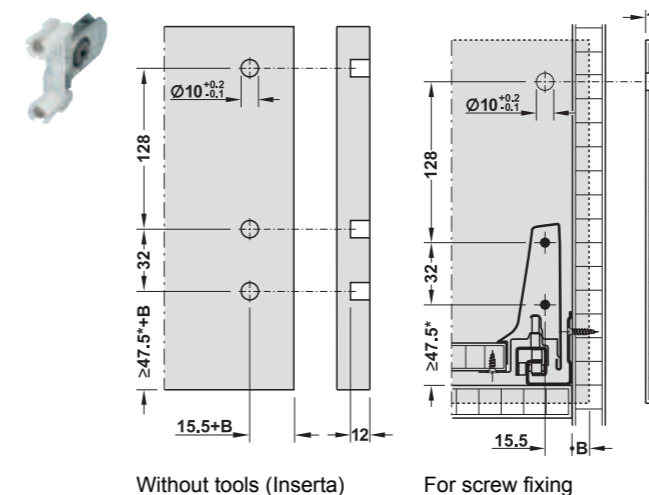
Load bearing capacity 65 kg			
450	551.22.734	551.22.334	551.22.234
500	551.22.735	551.22.335	551.22.235
550	551.22.736	551.22.336	551.22.236
600	551.22.737	551.22.337	551.22.237
650	551.22.738	551.22.338	551.22.238

Packing: 1 set

**Order reference**

Front fixing brackets (D) for drawer not supplied, please order separately.

→ **Front fixing bracket (D)**



**Tip-On Blumotion Unit and follower (G)**

**Note**

Load bearing capacity = recommended load bearing capacity (total weight of pull out including load) for optimum opening and closing function

Model	For nominal length mm	Load bearing capacity kg	Cat. No.
T60B3030	270–300	Up to 10	555.01.040
T60B3130		10 to 20	555.01.041
T60B3330	350–600	Up to 20	555.01.042
T60B3530		15 to 40	555.01.043
T60B3560	450–650	35 to 65	555.01.044

Packing: 1 set

Insert elements	▶ MB 9.68
Parallel control	▶ MB 9.69
Tip-On Blumotion synchro unit	▶ MB 9.69
Base support bracket, support for synchronisation shaft, front stabiliser	▶ MB 9.70

Material	Installation	Model	Cat. No.
Zinc alloy	Without tools (Inserta)	ZSF.39A2	555.06.013
	For screw fixing	ZSF.35A2	555.06.011

Packing: 1, 40 or 500 pieces

**Order reference**

2 front fixing brackets are required for 1 drawer.

B = panel overlay  
\* with Tip-On Blumotion cabinet rail 50.5 mm, with synchronisation rod directly above cabinet base panel or strut 53.5 mm

DGH-M 2017, HDE-en, 01/17; Dimensional data not binding. We reserve the right to alter specifications without notice.

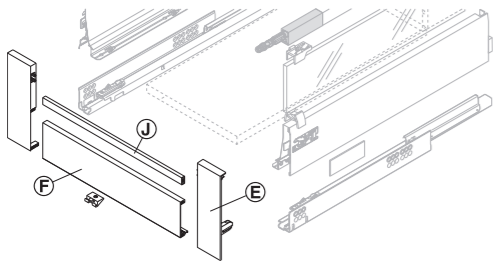
Drawer and Pull Out for Door Front Fixing

Drawer and Pull Out for Door Front Fixing



Internal pull out

Drawer side height 83 mm, system height M, railing D



Installation

The complete internal pull out with drawer side height 83 mm and railing D consists of front bracket set (E), panel (F), cross rail (J) and pull out for door front fixing with drawer side height 83 mm and railing D.

Specifications for internal installation height and installation dimensions of the rear panel are identical to the pull out for door front fixing with drawer side height 83 mm and railing D.

→ Front bracket set for internal pull out (E)



> Material: Plastic  
> Model: ZIF.74D0

Colour	Cat. No.
Silk white	553.91.750
Black	553.91.350
White grey	553.91.650

Packing: 1 piece

→ Panel for internal drawer (F)



> Material: Aluminium  
> Length: 1,036 mm  
> For cabinet width: Max. 1,200 mm  
> Model: Z31L.1036A  
> Installation: Panel must be cut to size, length = internal cabinet width – 132 mm

Finish/colour	Cat. No.
Silk white	553.91.739
Terra black	553.91.339
RAL 9006, white aluminium	553.91.239

Packing: 1 piece

→ Cross rail for internal pull out (J)



> Material: Aluminium  
> Length: 1,046 mm  
> For cabinet width: Max. 1,200 mm  
> Model: ZRG.1046Z  
> Installation: Cross rail must be cut to size, length = internal cabinet width – 122 mm

Finish/colour	Cat. No.
Silk white	553.89.719
Terra black	553.89.319
RAL 9006, white aluminium	553.89.219

Packing: 1 piece

Pull out for door front fixing, system height M, railing D ▶ MB 9.54

Insert elements ▶ MB 9.68

Blum Tandembox compartment system ▶ MB 9.167

Planning and construction ▶ MB 9.39

DGH-M 2017, HDE-en,10/16; Dimensional data not binding. We reserve the right to alter specifications without notice.

Drawer and internal drawer

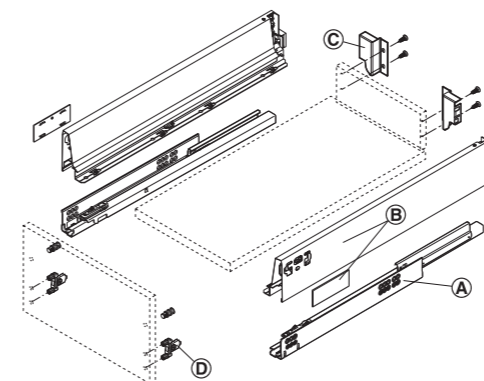
Drawer side height 115 mm, system height K



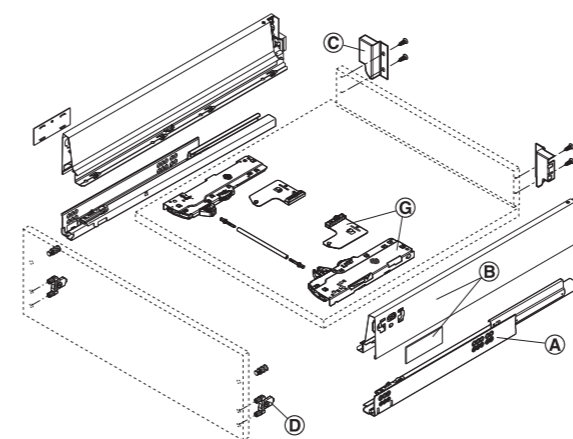
Drawer

→ Set for drawer

Drawer side height 115 mm, system height K



Drawer with Blumotion cabinet rail



Drawer with Tip-On Blumotion cabinet rail

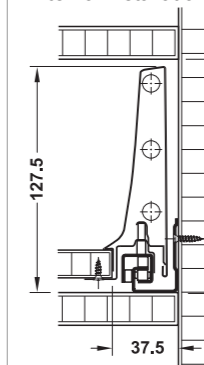
Supplied with

- 1 Pair of cabinet rails (A)
- 1 Pair of drawer sides including cover caps (B)
- 1 Rear panel fitting set, height 128.5 mm (left/right) (C)
- 2 Positioning dowels for front panel

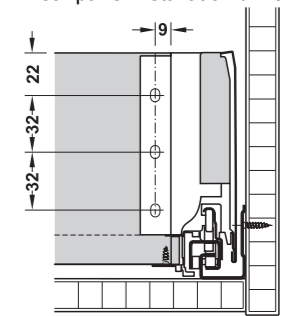
Individual components ▶ MB 9.66

Planning and construction ▶ MB 9.39

Internal installation height



Rear panel installation dimensions



\* with internal drawer 103.5, with internal drawer with handle (ZIF.80M5) 73 mm  
\*\* with Tip-On Blumotion cabinet rail 36 mm, with synchronisation rod directly above cabinet base panel or strut 39 mm

Installation dimensions

Min. internal installation depth = nominal length + 3 mm

With Blumotion cabinet rail

> Type of pull out: Full extension with Blumotion, the soft closing mechanism integrated in the cabinet rail provides gentle and silent closing of the drawer.

Note

We recommend using the parallel control from a cabinet width of 900 mm and above. The base support bracket is required from a cabinet width of 750 mm and above.

Nom. length mm	Steel silk white	terra black	RAL 9006, white aluminium
----------------	------------------	-------------	---------------------------

Load bearing capacity 30 kg

270	553.84.760	553.84.360	553.84.260
300	553.84.761	553.84.361	553.84.261
350	553.84.762	553.84.362	553.84.262
400	553.84.763	553.84.363	553.84.263
450	553.84.764	553.84.364	553.84.264
500	553.84.765	553.84.365	553.84.265
550	553.84.766	553.84.366	553.84.266
600	553.84.767	553.84.367	553.84.267

Load bearing capacity 65 kg

450	553.84.784	553.84.384	553.84.284
500	553.84.785	553.84.385	553.84.285
550	553.84.786	553.84.386	553.84.286
600	553.84.787	553.84.387	553.84.287
650	553.84.788	553.84.388	553.84.288

Packing: 1 set

Order reference

Front fixing brackets (D) for drawer not supplied, please order separately.

Parallel control ▶ MB 9.69

Base support bracket, front stabiliser ▶ MB 9.70





With Tip-On Blumotion cabinet rail

> Type of pull out: Full extension with Tip-On and Blumotion, with this cabinet rail a gentle push on the handle-free front panel suffices to open the drawer, the integrated soft closing mechanism provides gentle and silent closing of the drawer.

The Tip-On Blumotion unit must be ordered separately for each set.

**Note**  
We recommend using the parallel control from a cabinet width of 900 mm and above. It is generally recommended to use the synchronising set for Tip-On Blumotion for all cabinet widths. The base support bracket and the support for synchronisation shaft are required from a cabinet width of 750 mm and above.

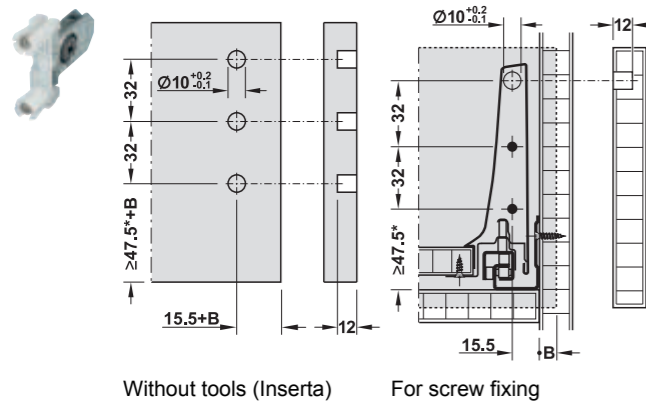
Nom. length mm	Steel Silk white	Terra black	RAL 9006, white aluminium
<b>Load bearing capacity 30 kg</b>			
270	551.20.740	551.20.340	551.20.240
300	551.20.741	551.20.341	551.20.241
350	551.20.742	551.20.342	551.20.242
400	551.20.743	551.20.343	551.20.243
450	551.20.744	551.20.344	551.20.244
500	551.20.745	551.20.345	551.20.245
550	551.20.746	551.20.346	551.20.246
600	551.20.747	551.20.347	551.20.247
<b>Load bearing capacity 65 kg</b>			
450	551.20.754	551.20.354	551.20.254
500	551.20.755	551.20.355	551.20.255
550	551.20.756	551.20.356	551.20.256
600	551.20.757	551.20.357	551.20.257
650	551.20.758	551.20.358	551.20.258

Packing: 1 set

**Order reference**  
Front fixing brackets (D) for pull out for door front fixing not supplied, please order separately.

Parallel control	► MB 9.69
Tip-On Blumotion synchro unit	► MB 9.69
Base support bracket, support for synchronisation shaft, front stabiliser	► MB 9.70

→ Front fixing bracket (D)



Material	Installation	Model	Cat. No.
Zinc alloy	Without tools (Inserta)	ZSF.39A2	555.06.013
	For screw fixing	ZSF.35A2	555.06.011

Packing: 1, 40 or 500 pieces

**Order reference**  
2 front fixing brackets are required for 1 drawer.

B = panel overlay  
\* with Tip-On Blumotion cabinet rail 50.5 mm, with synchronisation rod directly above cabinet base panel or strut 53.5 mm

Tip-On Blumotion Unit and follower (C)

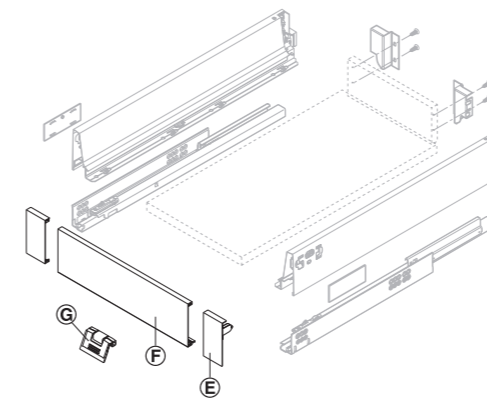
**Note**  
Load bearing capacity = recommended load bearing capacity (total weight of pull out including load) for optimum opening and closing function

Model	For nominal length mm	Load bearing capacity kg	Cat. No.
T60B3030	270–300	Up to 10	555.01.040
T60B3130		10 to 20	555.01.041
T60B3330	350–600	Up to 20	555.01.042
T60B3530		15 to 40	555.01.043
T60B3560	450–650	35 to 65	555.01.044

Packing: 1 set

Internal drawer

Drawer side height 115 mm, system height K



Installation

The complete internal drawer with drawer side height 115 mm consists of front bracket set (E), panel (F), handle (G) and drawer with drawer side height 115 mm. Specifications for internal installation height and installation dimensions of the rear panel are identical to the drawer with drawer side height 115 mm.

→ Front bracket set for internal drawer (E)



> Material: Plastic  
> Model: ZIF.71K0

Colour	Cat. No.
Silk white	553.91.700
Black	553.91.300
White grey	553.91.600

Packing: 1 piece

→ Panel for internal drawer (F)



> Material: Aluminium  
> Length: 1,036 mm  
> For cabinet width: Max. 1,200 mm  
> Model: Z31L1036A  
> Installation: Panel must be cut to size, length = internal cabinet width – 132 mm

Finish/colour	Cat. No.
Silk white	553.91.739
Terra black	553.91.339
RAL 9006, white aluminium	553.91.239

Packing: 1 piece

→ Handle for internal drawer (G)



Handle



Handle/follower

> Area of application: Handle for extending the internal drawer, the combination of handle and follower allows extending the drawer and internal drawer at the same time  
> Material: Plastic

Colour	Handle ZIF.80M5	Handle/follower ZIF.80M7
Silk white	553.91.741	553.91.740
Black	553.91.341	553.91.340
White grey	553.91.641	553.91.640

Packing: 1 piece

Drawer, system height K	► MB 9.57
Blum Tandembox compartment system	► MB 9.164
Planning and construction	► MB 9.39

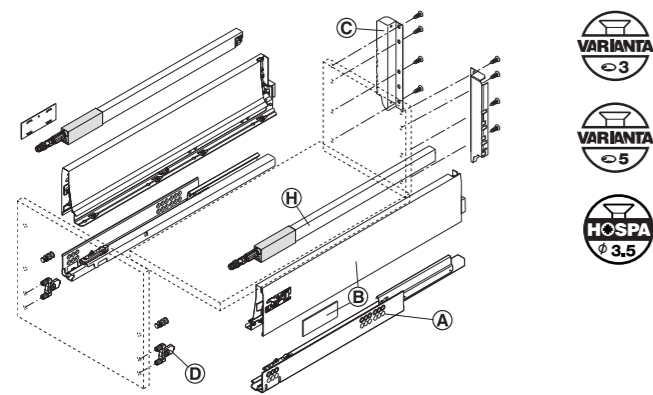


**Internal pull out for door front fixing**  
Drawer side height 115 mm, system height K, railing D

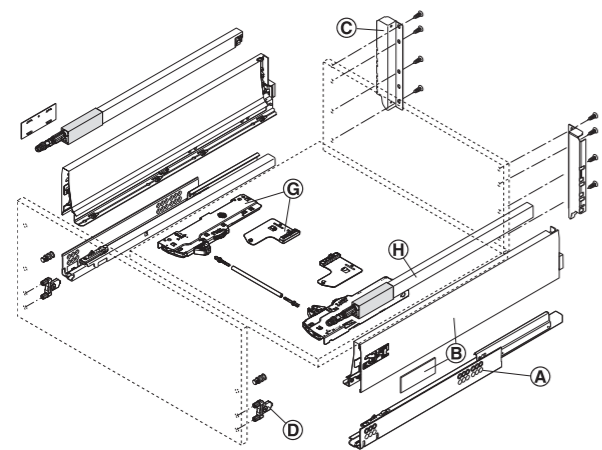


Pull out for door front fixing

→ **Set for pull out for door front fixing**  
Drawer side height 115 mm, system height K, railing D



Pull out for door front fixing with Blumotion cabinet rail

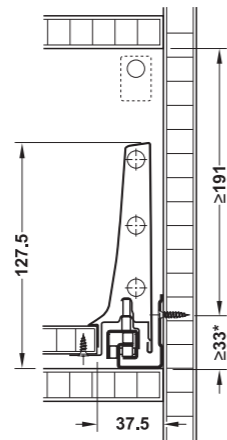


Pull out for door front fixing with Tip-On Blumotion cabinet rail

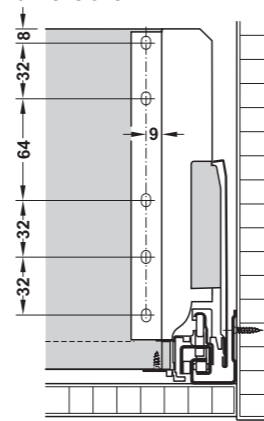
- Supplied with**
- 1 Pair of cabinet rails (A)
  - 1 Pair of drawer sides including cover caps (B)
  - 1 Side railing set (left/right), matches the colour of the drawer sides (H)
  - 1 Rear panel fitting set, height 128.5 mm (left/right) (C)
  - 2 Positioning dowels for front panel

Individual components	► MB 9.66
Planning and construction	► MB 9.39

Internal installation height



Rear panel installation dimensions



\* with Tip-On Blumotion cabinet rail 36 mm, with synchronisation rod directly above cabinet base panel or strut 39 mm

**Installation dimensions**  
Min. internal installation depth = nominal length + 3 mm

**With Blumotion cabinet rail**

> Type of pull out: Full extension with Blumotion, the soft closing mechanism integrated in the cabinet rail provides gentle and silent closing of the drawer

**Note**  
We recommend using the parallel control from a cabinet width of 900 mm and above. The base support bracket is required from a cabinet width of 750 mm and above.

Nom. length mm	Steel silk white	terra black	RAL 9006, white aluminium
----------------	------------------	-------------	---------------------------

Load bearing capacity 30 kg			
270	550.85.730	550.85.330	550.85.230
300	550.85.731	550.85.331	550.85.231
350	550.85.732	550.85.332	550.85.232
400	550.85.733	550.85.333	550.85.233
450	550.85.734	550.85.334	550.85.234
500	550.85.735	550.85.335	550.85.235
550	550.85.736	550.85.336	550.85.236
600	550.85.737	550.85.337	550.85.237

Load bearing capacity 65 kg			
450	550.85.754	550.85.354	550.85.254
500	550.85.755	550.85.355	550.85.255
550	550.85.756	550.85.356	550.85.256
600	550.85.757	550.85.357	550.85.257
650	550.85.758	550.85.358	550.85.258

Packing: 1 set

**Order reference**  
Front fixing brackets (D) for drawer not supplied, please order separately.

Insert elements	► MB 9.68
Parallel control	► MB 9.69
Base support bracket, front stabiliser	► MB 9.70

DGH-M 2017, HDE-en,10/16; Dimensional data not binding. We reserve the right to alter specifications without notice.

**With Tip-On Blumotion cabinet rail**

> Type of pull out: Full extension with Tip-On and Blumotion, with this cabinet rail a gentle push on the handle-free front panel suffices to open the drawer, the integrated soft closing mechanism provides gentle and silent closing of the drawer.

The Tip-On Blumotion unit must be ordered separately for each set.

**Note**  
We recommend using the parallel control from a cabinet width of 900 mm and above. It is generally recommended to use the synchronising set for Tip-On Blumotion for all cabinet widths. The base support bracket and the support for synchronisation shaft are required from a cabinet width of 750 mm and above.

Nom. length mm	Steel Silk white	Terra black	RAL 9006, white aluminium
----------------	------------------	-------------	---------------------------

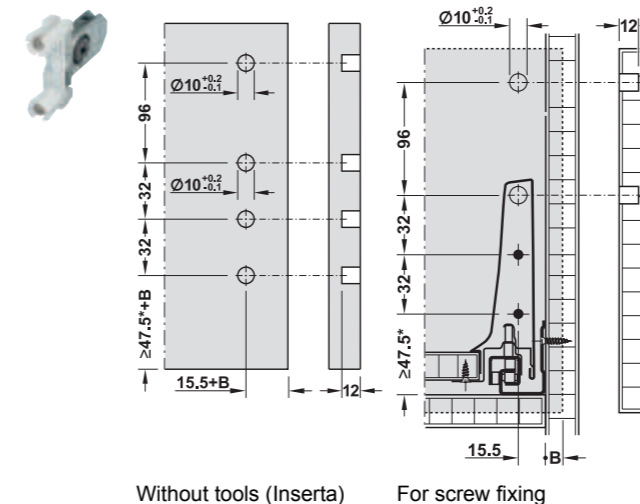
Load bearing capacity 30 kg			
270	551.22.740	551.22.340	551.22.240
300	551.22.741	551.22.341	551.22.241
350	551.22.742	551.22.342	551.22.242
400	551.22.743	551.22.343	551.22.243
450	551.22.744	551.22.344	551.22.244
500	551.22.745	551.22.345	551.22.245
550	551.22.746	551.22.346	551.22.246
600	551.22.747	551.22.347	551.22.247

Load bearing capacity 65 kg			
450	551.22.754	551.22.354	551.22.254
500	551.22.755	551.22.355	551.22.255
550	551.22.756	551.22.356	551.22.256
600	551.22.757	551.22.357	551.22.257
650	551.22.758	551.22.358	551.22.258

Packing: 1 set

**Order reference**  
Front fixing brackets (D) for pull out for door front fixing not supplied, please order separately.

→ **Front fixing bracket (D)**



**Tip-On Blumotion Unit and follower (G)**

**Note**  
Load bearing capacity = recommended load bearing capacity (total weight of pull out including load) for optimum opening and closing function

Model	For nominal length mm	Load bearing capacity kg	Cat. No.
T60B3030	270–300	Up to 10	555.01.040
T60B3130		10 to 20	555.01.041
T60B3330	350–600	Up to 20	555.01.042
T60B3530		15 to 40	555.01.043
T60B3560	450–650	35 to 65	555.01.044

Packing: 1 set

Parallel control	► MB 9.69
Tip-On Blumotion synchro unit	► MB 9.69
Base support bracket, support for synchronisation shaft, front stabiliser	► MB 9.70
Insert elements	► MB 9.68

Material	Installation	Model	Cat. No.
Zinc alloy	Without tools (Inserta)	ZSF.39A2	555.06.013
	For screw fixing	ZSF.35A2	555.06.011

Packing: 1, 40 or 500 pieces

**Order reference**  
2 front fixing brackets are required for 1 drawer.

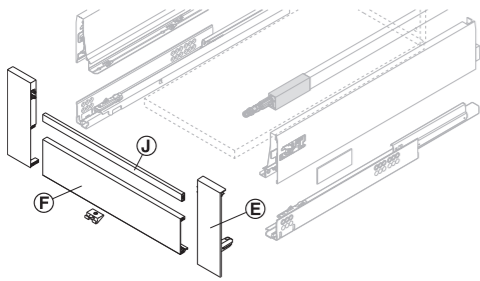
B = panel overlay  
\* with Tip-On Blumotion cabinet rail 50.5 mm, with synchronisation rod directly above cabinet base panel or strut 53.5 mm

DGH-M 2017, HDE-en, 01/17; Dimensional data not binding. We reserve the right to alter specifications without notice.



**Internal pull out**

Drawer side height 115 mm, system height K, railing D



**Installation**

The complete internal pull out with drawer side height 115 mm and railing D consists of front bracket set (E), panel (F), cross railing (J) and pull out for door front fixing with drawer side height 115 mm and railing D.

Specifications for internal installation height and installation dimensions of the rear panel are identical to the pull out for door front fixing with drawer side height 115 mm and railing D.

→ **Front bracket set for internal pull out (E)**



- > Material: Plastic
- > Model: ZIF.74D0

Colour	Cat. No.
Silk white	553.91.750
Black	553.91.350
White grey	553.91.650

Packing: 1 piece

→ **Panel for internal pull out (F)**



- > Material: Aluminium
- > Length: 1,036 mm
- > For cabinet width: Max. 1,200 mm
- > Model: Z31L1036A
- > Installation: Panel must be cut to size, length = internal cabinet width – 132 mm

Finish/colour	Cat. No.
Silk white	553.91.739
Terra black	553.91.339
RAL 9006, white aluminium	553.91.239

Packing: 1 piece

→ **Cross railing for internal pull out (J)**



- > Material: Aluminium
- > Length: 1,046 mm
- > For cabinet width: Max. 1,200 mm
- > Model: ZRG.1046Z
- > Installation: Cross railing must be cut to size, length = internal cabinet width – 122 mm

Finish/colour	Cat. No.
Silk white	553.89.719
Terra black	553.89.319
RAL 9006, white aluminium	553.89.219

Packing: 1 piece

Pull out for door front fixing, system height K, railing D ▶ MB 9.60

Insert elements ▶ MB 9.68

Blum Tandembox compartment system ▶ MB 9.167

Planning and construction ▶ MB 9.39

DGH-M 2017, HDE-en,10/16; Dimensional data not binding. We reserve the right to alter specifications without notice.

“YOUR TASK IS MY TASK”.

Brigitte Stegh,  
Expert advisor, Cologne office

Easier,  
quicker, more convenient.  
**Discover now.**

**OUR WEBSITE**

[www.metalika-kacin.com](http://www.metalika-kacin.com)

**THINKING AHEAD WITH PARTNERS.**

Many people know about products. But we can do more. When special challenges need to be tackled, we are with you. With up-to-date knowledge of products and applications, as a well-rehearsed team with field service employees and with a product range encompassing more than 154,000 items. In order to find the product that will satisfy your customers. Your success is our motivation.

[www.metalika-kacin.com](http://www.metalika-kacin.com)

[www.metalika-kacin.com](http://www.metalika-kacin.com)

[www.metalika-kacin.com](http://www.metalika-kacin.com)



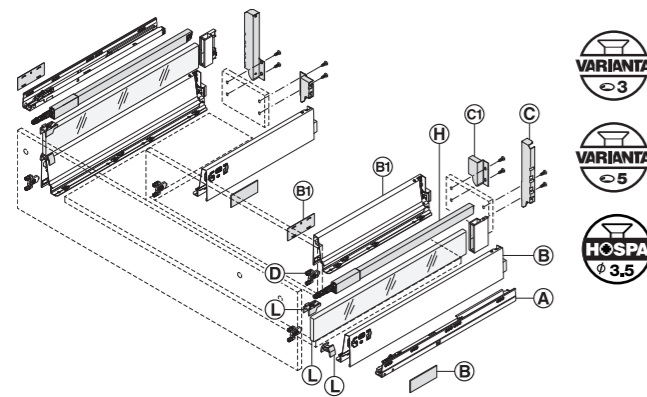


**Under sink cabinet pull out**

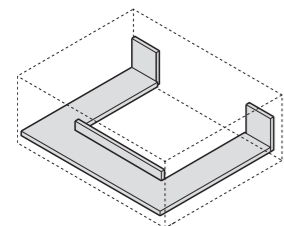
Drawer side height 83 mm, system height M, railing C/D



> Version: Pull out for door front fixing with recesses in base panel and rear panel for sink and waste trap



**Cutting dimensions for base panel, rear panel and crossways divider**



- ① **Base panel length**  
Nominal length - 24 mm
- ② **Recess length**  
① x = NL drawer sides outside - NL drawer sides inside -10 mm
- ③ **Base panel width**  
Internal cabinet width - 75 mm
- ④ **Recess width**  
Required internal width of recess + 63 mm
- ⑤ **Flange width**  
(min. 48 mm, with Tip-On Blumotion min. 75 mm/max. 225 mm)  
③ - ④ : 2  
The width of the flanges may vary
- ⑥ **Rear panel width**  
⑤ - 12 mm
- ⑦ **Rear panel height**  
= 84 mm
- ⑧ **Connecting piece**  
④ + 75 mm

Dim. for 16 mm panel material

Following individual components are required for one complete under sink cabinet pull out:

- 1 pair of cabinet runners **A**
- 1 pair of drawer side sets outside, system height M **B**
- 1 pair of drawer side sets inside, system height M **B1**
- 2 rear panel fitting sets **C**, for cabinet drawer sides
- 2 rear panel fitting sets **C1**, for under sink drawer sides
- 4 front fixing brackets **D**
- 1 side railing set **H**, for cabinet drawer sides and under sink drawer sides
- 1 support set **L**

**Installation dimensions**

Min. internal installation depth = nominal length + 3 mm

**Note**

Drilling and installation dimensions for cabinet drawer sides are identical to pull out for door front fixing with drawer side height 83 mm, system height M and railing C/D, see page 9.39.

→ **Cabinet runner A**



Load bearing capacity kg	Nom. length mm	Packing pairs	Cat. No.
<b>Blumotion cabinet runner</b>			
65	450	1 or 8	555.02.747
	500	1 or 8	555.02.752
	550	1 or 8	555.02.757
	600	1 or 6	555.02.762
	650	1 or 6	555.02.767

**Tip-On Blumotion cabinet runner**

65	450	1 or 8	555.02.347
	500	1 or 8	555.02.352
	550	1 or 8	555.02.357
	600	1 or 6	555.02.362
	650	1 or 6	555.02.367

→ **Drawer side set outside B**

Drawer side height 83 mm, system height M



**Note**

Use in combination with cabinet runner 30 kg is also possible.

**Supplied with**

- 1 pair of cabinet drawer sides, drawer side height 83 mm, system height M
- 2 cover caps

Nom. length mm	Steel		
	Silk white	Terra black	RAL 9006, white aluminium
450	553.80.614	553.80.414	553.80.814
500	553.80.615	553.80.415	553.80.815
550	553.80.616	553.80.416	553.80.816
600	553.80.617	553.80.417	553.80.817
650	553.80.618	553.80.418	553.80.818

Packing: 1 pair

→ **Drawer side set inside B1**

Drawer side height 83 mm, system height M



Nom. length mm	Steel		
	Silk white	Terra black	RAL 9006, white aluminium
270	553.80.610	553.80.410	553.80.810
300	553.80.611	553.80.411	553.80.811
350	553.80.612	553.80.412	553.80.812
400	553.80.613	553.80.413	553.80.813
450	553.80.614	553.80.414	553.80.814
500	553.80.615	553.80.415	553.80.815

Packing: 1 pair

→ **Rear panel fitting set C**

For under sink drawer sides

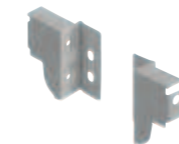


Model	Finish/colour	Steel
<b>For under sink cabinet pull out with railing C</b>		
Z30C000S.22	Silk white	553.93.750
	Terra black	553.93.350
	RAL 9006, white aluminium	553.93.250
<b>For under sink cabinet pull out with railing D</b>		
Z30D000S.22	Silk white	553.93.760
	Terra black	553.93.360
	RAL 9006, white aluminium	553.93.260

Packing: 1 piece

→ **Rear panel fitting set C1**

For drawer sides outside



Model	Plastic		Steel
	Silk white	Terra black	
Z30M000S.04	Silk white		555.06.788
	Terra black		555.06.382
	RAL 9006, white aluminium		553.92.267

Packing: 1 piece

→ **Front fixing bracket D**



Material	Installation	Model	Cat. No.
Zinc alloy	Without tools (Inserta)	ZSF.39A2	555.06.013
	For screw fixing	ZSF.35A2	555.06.011

Packing: 1, 40 or 500 pieces

**Order reference**

4 front fixing brackets are required for 1 drawer.

→ **Side railing set H**

For cabinet drawer sides and under sink drawer sides



**Supplied with**

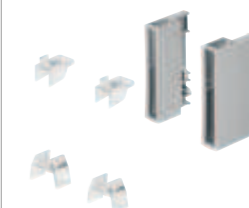
- 1 side rail, left
- 1 side rail, right

Nom. length mm	Steel		
	Silk white	Terra black	RAL 9006, white aluminium
450	553.99.704	553.99.304	553.99.204
500	553.99.725	553.99.305	553.99.205
550	553.99.706	553.99.306	553.99.206
600	553.99.707	553.99.307	553.99.207
650	553.99.708	553.99.308	553.99.208

Packing: 1 set

→ **Support set L**

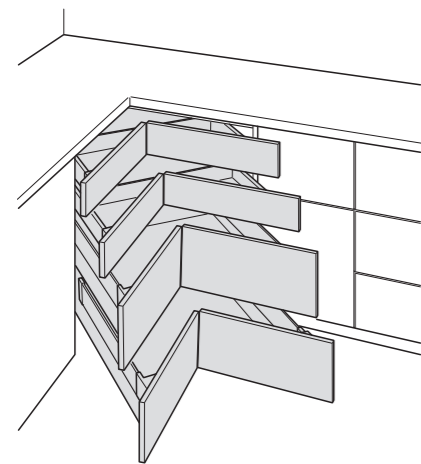
For glass and metal insert element



Model	Plastic			Steel
	Silk white	Terra black	RAL 9006, white aluminium	
<b>For internal pull outs for door front fixing with system height M and railing C</b>				
Z36C0080	553.98.790	553.98.390	553.98.690	
<b>For internal pull outs for door front fixing with system height M and railing D</b>				
Z36D0080	553.98.791	553.98.391	553.98.691	

Packing: 1 set

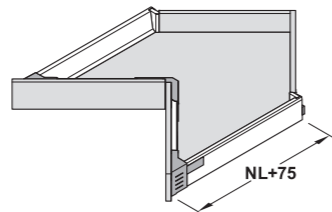
Parallel control, Tip-On Synchro unit	► MB 9.69
Front stabiliser	► MB 9.70
Pull out for door front fixing, system height M, railing C	► MB 9.51
Pull out for door front fixing, system height M, railing D	► MB 9.54
Insert element, railing C/D	► MB 9.68



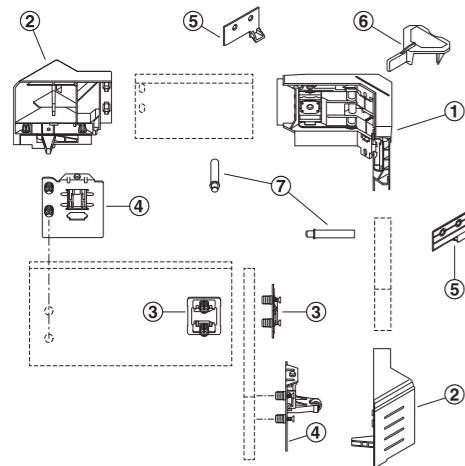
- > Area of application: Corner cabinet full extension for optimum use of storage space in corner cabinets >900 mm
- > Version: With movable, inwards folding front panels or with fixed front panels

**Note**

Please use the Dynalog planning software from the Blum website for planning.



→ **Space Corner Corner cabinet pull out**  
Front fixing for movable front panels  
Synchronotion – Set



- ① Syncro front fitting
- ② Corner front pieces
- ③ Syncro front fixing brackets
- ④ Roll front fixing brackets (right/left)
- ⑤ Triggers (right/left)
- ⑥ Gap gauge
- ⑦ Blumotion soft closing mechanism for doors (970.1002)

**Opening and closing function**

With the Synchronotion fitting, the front panels are swivelled inwards when the drawer is being pull out, so that the laterally adjoining front panels are not touched. Therefore standard front panels without further chamfers can be used.

- > Space requirement inside the cabinet min. 900 x 900 mm
- > Min. internal cabinet depth = nominal length + 75 mm
- > 2D front panel adjustment
- > Can be combined with Blumotion cabinet runner

**Supplied with**

- 1 Syncro front fitting
- 2 corner front pieces
- 2 Syncro front fixing brackets
- 2 Roll front fixing brackets (right/left)
- 2 triggers (right/left)
- 1 gap gauge
- 2 Blumotion soft closing mechanism for doors (970.1002)

System high	Colour	Cat. No.
M	Dust grey, RAL 7037	555.06.572
	Silk white	555.06.772
C	Dust grey, RAL 7037	555.06.577
	Silk white	555.06.777
D	Dust grey, RAL 7037	555.06.576
	Silk white	555.06.776

Packing: 1 set

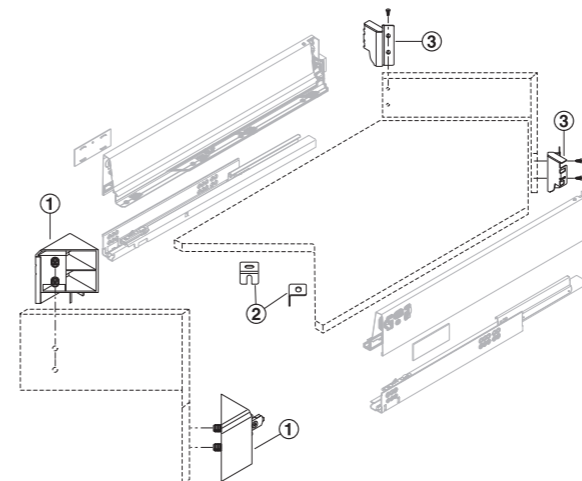
**Order reference**

- Supplied with:
- > Front fixing bracket set for movable front panel
- Following is not included in the scope of delivery and must be ordered separately:
- > Rear panel bracket for corner cabinet 45°
  - > Tandembox cabinet runner
  - > Tandembox antaro cabinet drawer sides, system height M
  - > Optional: Side railing set for system height C or D

Rear panel bracket for corner cabinet 45°	► MB 9.65 B
Tandembox cabinet runner	► MB 9.64
Blum Tandembox antaro cabinet drawer sides	► MB 9.64
Side railing set	► MB 9.65

DGH-M 2017, HDE-en,10/16; Dimensional data not binding. We reserve the right to alter specifications without notice.

→ **Space Corner Corner cabinet pull out**  
Front fixing brackets for fixed front panels



- ① Corner front pieces (right/left)
- ② L-bracket
- ③ Rear panel bracket for corner cabinet 45°

**Opening and closing function**

With fixed front panels, the lateral edges must be mitred by 45° in order to prevent collision with the adjoining front panels.

- > Space requirement inside the cabinet min. 900 x 900 mm
- > Min. internal cabinet depth = nominal length + 75 mm
- > 2D front panel adjustment
- > Can be combined with Blumotion cabinet runner and Blum Servo-Drive automatic opening mechanism (optional)

**Supplied with**

- 2 corner front pieces (right/left)
- 2 L-brackets
- 2 rear panel bracket for corner cabinet 45°

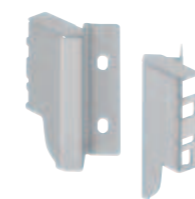
System high	Colour	Cat. No.
M	Dust grey, RAL 7037	555.06.213
	Silk white	555.06.713
	Terra black	555.06.313
D	Dust grey, RAL 7037	555.06.519
	Silk white	555.06.719
	Terra black	555.06.319

Packing: 1 set

**Order reference**

- Supplied with:
- > Front fixing bracket set for fixed front panel
  - > Rear panel bracket for corner cabinet 45°
- Following is not included in the scope of delivery and must be ordered separately:
- > Tandembox cabinet runner
  - > Tandembox antaro cabinet drawer sides, system height M
  - > Optional: Side railing set for system height C or D

→ **Rear panel bracket for corner cabinet 45°**



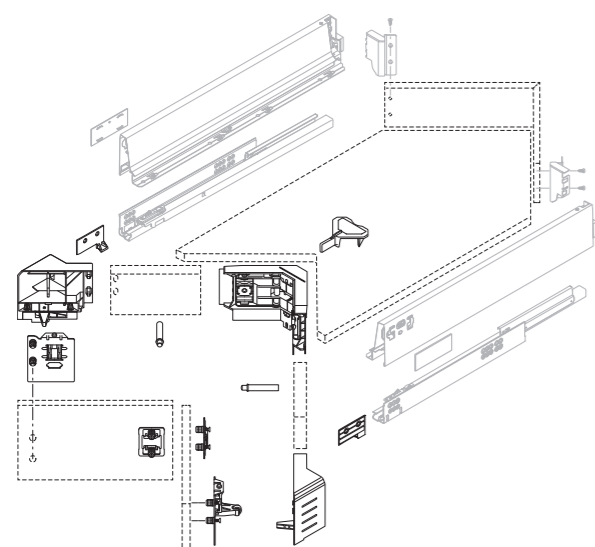
- > Area of application: For Space Corner corner cabinet pull out, in combination with drawer sides and drawer rear panel

System high	Colour	Cat. No.
M	White aluminium, RAL 9006	553.92.261
	Silk white	553.92.761
	Terra black	553.92.361
C	White aluminium, RAL 9006	553.92.233
	Silk white	553.92.733
	Terra black	553.92.333
D	White aluminium, RAL 9006	553.92.262
	Silk white	553.92.762
	Terra black	553.92.362

Packing: 1 or 25 pairs

Tandembox cabinet runner	► MB 9.64
Blum Tandembox antaro cabinet drawer sides	► MB 9.64
Side railing set	► MB 9.65

DGH-M 2017, HDE-en,10/16; Dimensional data not binding. We reserve the right to alter specifications without notice.



Blum Tandembox Individual components

→ Blumotion Cabinet rail

- > Material: Steel
- > Finish: Galvanized
- > Load bearing capacity: 30 kg or 65 kg (dynamic)
- > Version: With soft closing and self closing mechanisms

Nom. length mm	Model	Packing pairs	Cat. No.
<b>Load bearing capacity 30 kg</b>			
270	578.2701B	1 or 10	555.00.729
300	578.3001B	1 or 10	555.00.732
350	578.3501B	1 or 10	555.00.737
400	578.4001B	1 or 10	555.00.742
450	578.4501B	1 or 10	555.00.747
500	578.5001B	1 or 10	555.00.752
550	578.5501B	1 or 10	555.00.757
600	578.6001B	1 or 6	555.00.762
<b>Load bearing capacity 65 kg</b>			
450	576.4501B	1 or 8	555.02.747
500	576.5001B	1 or 8	555.02.752
550	576.5501B	1 or 8	555.02.757
600	576.6001B	1 or 6	555.02.762
650	576.6501B	1 or 6	555.02.767

→ Tip-On Blumotion Cabinet rail

The Tip-On Blumotion unit must be ordered separately for each set.

- > Material: Steel
- > Finish: Galvanized
- > Load bearing capacity: 30 kg or 65 kg
- > Version: With lock, opens mechanically by tapping, with soft closing mechanism

Nom. length mm	Model	Packing pairs	Cat. No.
<b>Load bearing capacity 30 kg</b>			
270	578.2701M	1 or 10	555.01.329
300	578.3001M	1 or 10	555.01.332
350	578.3501M	1 or 10	555.01.337
400	578.4001M	1 or 10	555.01.342
450	578.4501M	1 or 10	555.01.347
500	578.5001M	1 or 10	555.01.352
550	578.5501M	1 or 10	555.01.357
600	578.6001M	1 or 6	555.01.362
<b>Load bearing capacity 65 kg</b>			
450	576.4501M	1 or 8	555.02.347
500	576.5001M	1 or 8	555.02.352
550	576.5501M	1 or 8	555.02.357
600	576.6001M	1 or 6	555.02.362
650	576.6501M	1 or 6	555.02.367

→ Blum Tandembox antaro Drawer sides  
System height N, drawer side height 68 mm

Supplied with  
1 pair of drawer sides including cover caps

Nom. length mm	Model	Steel		
		Silk white	Terra black	RAL 9006, white aluminium
400	378N4002SA	553.80.603	553.80.403	553.80.803
450	378N4502SA	553.80.604	553.80.404	553.80.804
500	378N5002SA	553.80.605	553.80.405	553.80.805
550	378N5502SA	553.80.606	553.80.406	553.80.806

Packing: 1 set

System height M, drawer side height 83 mm

Supplied with  
1 pair of drawer sides including cover caps

Nom. length mm	Model	Steel		
		Silk white	Terra black	RAL 9006, white aluminium
270	378M2702SA	553.80.610	553.80.410	553.80.810
300	378M3002SA	553.80.611	553.80.411	553.80.811
350	378M3502SA	553.80.612	553.80.412	553.80.812
400	378M4002SA	553.80.613	553.80.413	553.80.813
450	378M4502SA	553.80.614	553.80.414	553.80.814
500	378M5002SA	553.80.615	553.80.415	553.80.815
550	378M5502SA	553.80.616	553.80.416	553.80.816
600	378M6002SA	553.80.617	553.80.417	553.80.817
650	378M6502SA	553.80.618	553.80.418	553.80.818

Packing: 1 set

System height K, drawer side height 115 mm

Supplied with  
1 pair of drawer sides including cover caps

Nom. length mm	Model	Steel		
		Silk white	Terra black	RAL 9006, white aluminium
270	378K2702SA	553.80.660	553.80.460	553.80.860
300	378K3002SA	553.80.661	553.80.461	553.80.861
350	378K3502SA	553.80.662	553.80.462	553.80.862
400	378K4002SA	553.80.663	553.80.463	553.80.863
450	378K4502SA	553.80.664	553.80.464	553.80.864
500	378K5002SA	553.80.665	553.80.465	553.80.865
550	378K5502SA	553.80.666	553.80.466	553.80.866
600	378K6002SA	553.80.667	553.80.467	553.80.867
650	378K6502SA	553.80.668	553.80.468	553.80.868

Packing: 1 set

→ Tandembox antaro Cover cap



White

Black

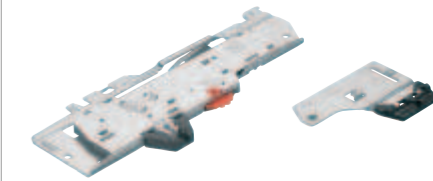
White aluminium

> Material: Plastic

Colour	Suitable for	Cat. No.
White	Silk white drawer sides	553.92.799
Black	Terra black drawer sides	553.92.399
White aluminium	White aluminium, RAL 9006, drawer sides	553.92.699

Packing: 1 piece

Tip-On Blumotion Unit and follower (G)



- > Suitable for: Blum Tandembox antaro drawer side runner system
- > Material: Plastic
- > Colour: Grey

Note

Load bearing capacity = recommended load bearing capacity (total weight of pull out including load) for optimum opening and closing function

Supplied with

- 2 Tip-On Blumotion units (left/right)
- 2 followers (left/right)
- 2 Tip-On Blumotion synchronising adapters

Model	For nominal length mm	Load bearing capacity kg	Cat. No.
T60B3030	270–300	Up to 10	555.01.040
T60B3130		10 to 20	555.01.041
T60B3330	350–600	Up to 20	555.01.042
T60B3530		15 to 40	555.01.043
T60B3560	450–650	35 to 65	555.01.044

Packing: 1 set

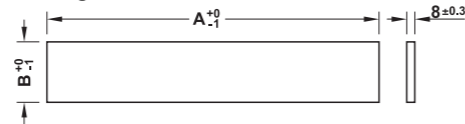




Insert element 



Cutting dimensions for self-manufactured insert elements



Length A = nominal length cabinet rail – 33 mm  
Height B = 59.5 mm (railing C) 91.5 mm (railing D)  
Lateral insert elements made from glass or metal are available for drawer side height M with railing C and railing D. (Insert element cannot be used for drawer side height K with railing D).

Order reference

2 metal insert elements are required for 1 drawer.  
Support set must be used for installation.

→ Glass insert element



For nominal length mm	Flint glass, clear	Flint glass, satin frosted
-----------------------	--------------------	----------------------------

For internal pull outs for door front fixing with system height M and railing C

270	553.98.420	553.98.020
300	553.98.421	553.98.021
350	553.98.422	553.98.022
400	553.98.423	553.98.023
450	553.98.424	553.98.024
500	553.98.425	553.98.025
550	553.98.426	553.98.026
600	553.98.427	553.98.027
650	553.98.428	553.98.028

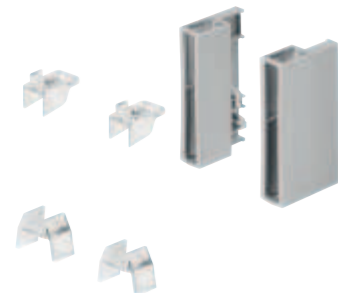
For internal pull outs for door front fixing with system height M and railing D

270	553.98.430	553.98.030
300	553.98.431	553.98.031
350	553.98.432	553.98.032
400	553.98.433	553.98.033
450	553.98.434	553.98.034
500	553.98.435	553.98.035
550	553.98.436	553.98.036
600	553.98.437	553.98.037
650	553.98.438	553.98.038

Packing: 1 pair

→ Support set

For glass and metal insert element



> Material: Plastic

Model	Silk white	Terra black	RAL 9006, white aluminium
-------	------------	-------------	---------------------------

For internal pull outs for door front fixing with system height M and railing C

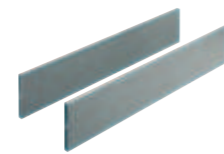
Z36C0080	553.98.790	553.98.390	553.98.690
----------	------------	------------	------------

For internal pull outs for door front fixing with system height M and railing D

Z36D0080	553.98.791	553.98.391	553.98.691
----------	------------	------------	------------

Packing: 1 set

→ Metal insert element



> Material: Aluminium

For nominal length mm	Silk white	Terra black	RAL 9006, white aluminium
-----------------------	------------	-------------	---------------------------

For pull outs for door front fixing and internal pull outs with system height M and railing C

450	553.98.704	553.98.304	553.98.204
500	553.98.705	553.98.305	553.98.205
550	553.98.706	553.98.306	553.98.206
650	553.98.708	553.98.308	553.98.208

For pull outs for door front fixing and internal pull outs with system height M and railing D

450	553.98.714	553.98.314	553.98.214
500	553.98.715	553.98.315	553.98.215
550	553.98.716	553.98.316	553.98.216
650	553.98.718	553.98.318	553.98.218

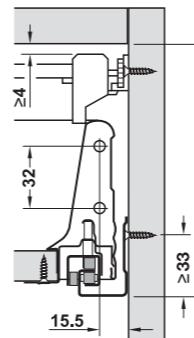
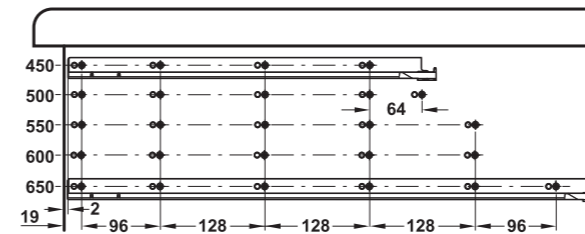
Packing: 2 or 10 pieces

Blum Tandembox Parallel control

For Tandembox antaro drawers and pull outs



Drilling pattern



LH = internal height

- > Area of application: Cabinet width 900–1,200 mm, can be shortened
- > Material: Steel and plastic
- > Colour: Dust grey, RAL 7037
- > Installation: For screw fixing
- > Internal height: System height M = min. 139 mm, system height M with railing C = min. 222 mm, system height M/K with railing D = min. 254 mm, system height K = min. 171 mm

Note

Min. internal cabinet depth = nominal length + 3 mm  
Cutting dimension shaft = internal cabinet width – 86 mm

Nom. length mm	Model	Cat. No.
450	ZST.450BA	553.92.584
500	ZST.500BA	553.92.585
550	ZST.550BA	553.92.586
600	ZST.600BA	553.92.587
650	ZST.650BA	553.92.588

Packing: 1 set

Tip-On Blumotion Synchronisation rod, for standard drawers



- > Suitable for: Blum Legrabox pure/free and Blum Tandembox antaro drawer side runner system, Blum Movento drawer runners
- > Material: Plastic
- > Colour: Black
- > Dim.: Rod suitable for cabinet width up to 1,400 mm, cut for Tandembox = internal width – 240 mm, cut for Legrabox = internal width – 247 mm, cut for Movento = internal width – 267 mm

Supplied with

1 Tip-On Blumotion stabilising shaft

	Cat. No.
For cabinet width from 600 mm up to 1400 mm	550.60.119

Packing: 1 or 5 pieces

Tip-On Blumotion Synchronisation rod, for narrow drawers



- > Suitable for: Blum Legrabox pure/free and Blum Tandembox antaro drawer side runner system, Blum Movento drawer runners
- > Material: Plastic
- > Colour: Light grey, RAL 7035
- > Dim.: Tandembox: Cut = internal width – 214 mm, internal width inside cabinet 238–286 mm, Legrabox: Cut = internal width – 221 mm, internal width inside cabinet 245–293 mm, Movento: Cut = internal width – 241 mm, internal width inside cabinet 265–313 mm

	Cat. No.
Tip-On Blumotion synchronisation rod	550.60.111

Packing: 1 piece

Front stabiliser



- > Material: Plastic
- > For cabinet width: Recommended from 550 mm and above

Colour	Model	Cat. No.
Dust grey, RAL 7037	Z96.10E1	555.06.500

Packing: 1 or 50 pieces

Base support bracket



- > Suitable for: Blum Tandembox antaro drawer side runner system
- > Model: Z96.2011
- > Material: Plastic
- > Colour: Dust grey, RAL 7037

	Cat. No.
Required from a cabinet width of 750 mm and above	555.06.508

Packing: 1 piece

Support for synchronising shaft



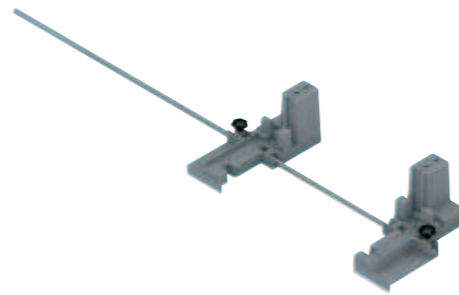
- > Suitable for: Blum Tandembox antaro drawer side runner system
- > Model: T60B000H
- > Material: Steel

	Cat. No.
Required from a cabinet width of 750 mm and above	550.60.129

Packing: 1 piece

Boxfix E-T Drilling and mounting aid

For Blum Tandembox antaro drawer sides



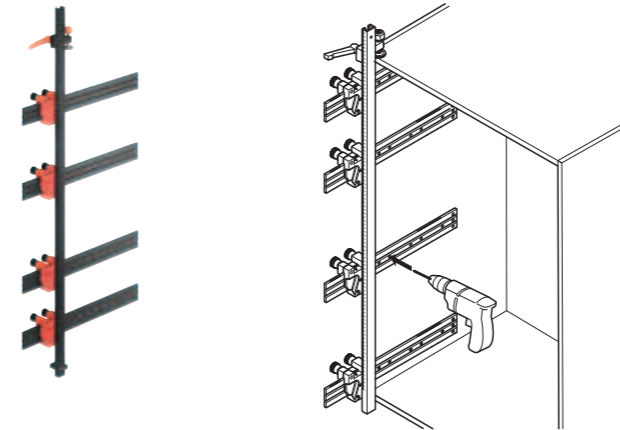
- > Area of application: Drilling and mounting aid for convenient and precise mounting of drawers and pull outs for door front fixing
- > Dim.: For nominal length 270–650 mm, for cabinet width 270–1,200 mm, for rear panel height max. 199 mm, for rear panel thickness 15–19 mm
- > Installation: For drilling rear panels and drawer bases, for pre-fixed screw fixing of rear panel, drawer base and drawer sides

**Supplied with**  
1 drilling and mounting aid  
1 hole centre drilling bit

Model	Cat. No.
Boxfix E-T	555.08.004

Packing: 1 piece

Drilling jig for cabinet processing



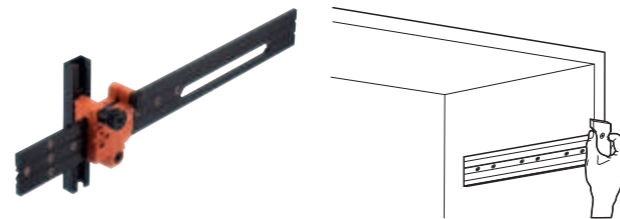
- > Area of application: For Tandembox antaro, Metabox, Aventos and Tandem
- > Version: Height and depth position adjustable using scale
- > Material: Aluminium and plastic
- > Finish: Bright/orange
- > Model: 65.1000.01
- > Mounting: Overlay and inset
- > Suitable for: Use before or after cabinet assembly

**Supplied with**  
1 Beam 1,000 mm  
4 Transfer templates (pre-mounted)  
1 Drilling depth stop  $\varnothing$  5 mm  
1 Reducing sleeve  $\varnothing$  2.5 mm

	Cat. No.
Drilling jig for cabinet processing	001.34.156

Packing: 1 piece

Individual drilling jig for cabinet processing



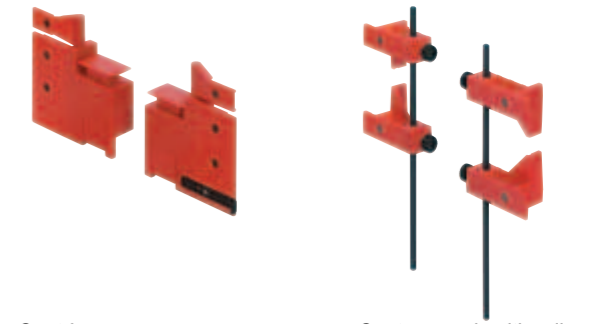
- > Area of application: For Blum Tandem, Movento, Tandembox and Legrabox
- > Material: Aluminium and plastic
- > Finish: Bright

**Supplied with**  
1 Universal drilling jig  
1 Drilling depth stop  $\varnothing$  5 mm  
1 Reducing sleeve  $\varnothing$  2.5 mm  
1 Hex key

Model	Cat. No.
65.1051.02	423.53.035

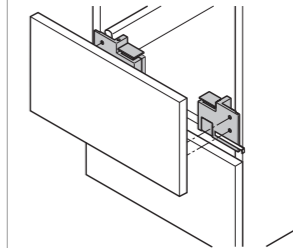
Packing: 1 piece

Centring gauge for front processing

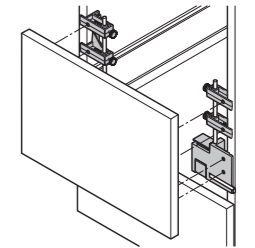


Centring gauge

Centre punch with rail



Drawer front processing



Pull out for door front fixing front processing

- > Area of application: For Tandembox antaro, for marking the fixing positions of the front fittings
- > Material: Aluminium/plastic
- > Finish: Bright/orange

	Model	Cat. No.
Centring gauge for system height N	ZML.3510	555.08.100
Centring gauge for system height M and K	ZML.3580	555.08.130
Centre punch with rail	ZML.3600	555.08.103

Packing: 1 pair

**Order reference**  
Please order both 555.08.130 and 555.08.103 together for pull out for door front fixing with railing.

**Blum Legrabox pure – Combines elegance and motion**



Drawer/pull out for door front fixing



Internal drawer/internal pull out

All of this diversity allows the advantages of the Legrabox pure to be reduced to a common denominator.

- > Minimalist
- > Streamline
- > Clear-cut
- > Slim
- > Continuity in terms of material and colour

- > Material: Cabinet rail and rear panel fitting: Steel, drawer sides: Steel or stainless steel
- > Finish: Cabinet rail: Galvanized, drawer sides and pull outs: Available in 4 colours
- > Type of pull out: Full extension
- > Functionality: Integrated soft closing mechanism (Blumotion S cabinet rail), integrated soft closing mechanism and automatic opening mechanism (Blumotion S cabinet rail + Tip-On Blumotion unit and follower), integrated automatic opening mechanism (Tip-On cabinet rail)

**4 drawer side colours are available**



**Product highlights**

**Legrabox runner system**



Legrabox cabinet rails redefine running characteristics: Low opening force, synchronised feather-light glide and adaptive closing force. If a Tip-On automatic opening mechanism is also required for the new Blumotion S cabinet rail with integrated soft closing mechanism, the "Tip-On Blumotion" unit is simply added. The well-tried Tip-On cabinet rail has the usual integrated automatic opening mechanism (without soft closing mechanism).

**Automatic opening mechanism and integrated soft close mechanism**



Combination of the Blumotion S cabinet rail with soft closing mechanism and the "Tip-On Blumotion" unit for mechanical opening assistance. (Unit can be retrofitted in the finished drawer). The large activation area (Tip-On) provides maximum comfort, even with wide and high front panels, with synchronising action (optional). Particularly suitable for kitchens due to the small front gap of only 2.5 mm.

**Variety of designs**



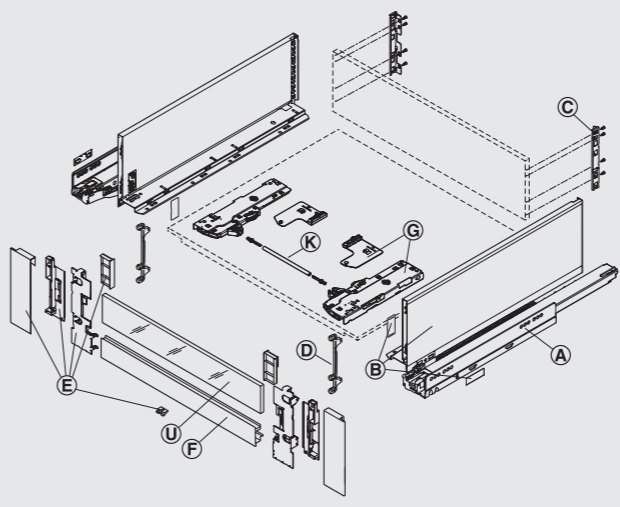
Besides Legrabox pure, in 5 different drawer side heights and 4 different colours, Legrabox also offers the option for further individualisation with Legrabox free. With the large insert elements made from glass, wood, or even stone, customer individuality is given centre stage.

**Ambia-Line Compartment system**



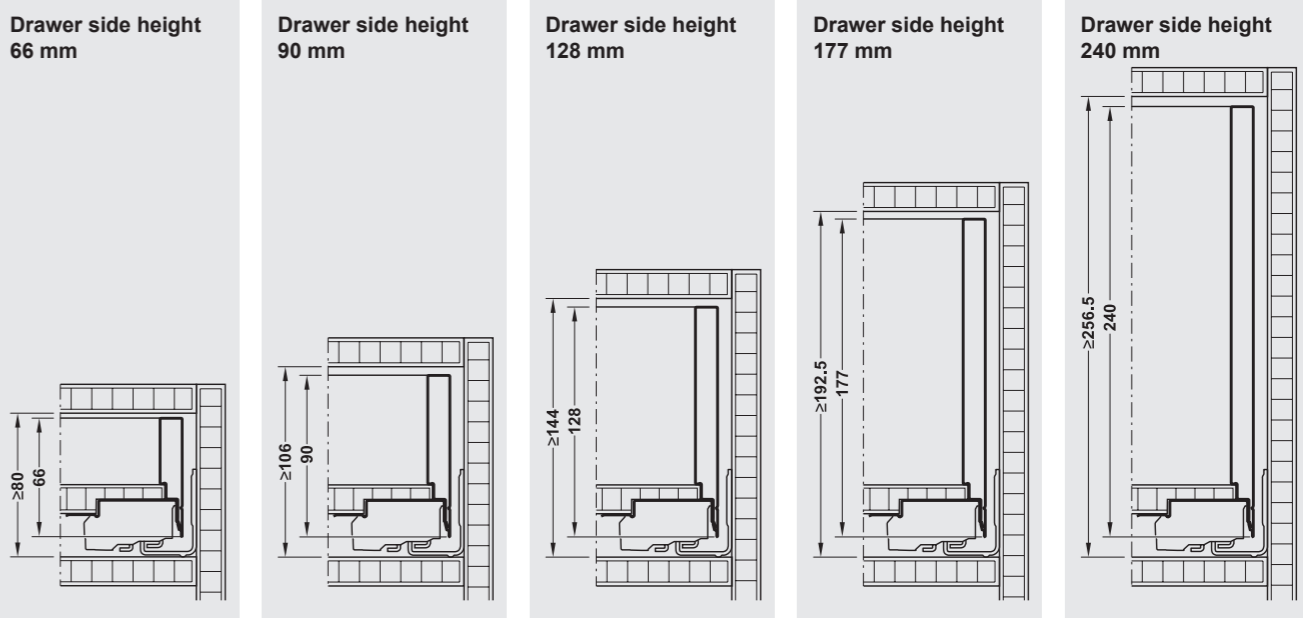
Interior division for individual and spacious storage space organisation made from steel or with coated wood decor. The crossways and lengthways dividers and divider profiles can be used for cabinet widths of up to 1,200 mm and nominal lengths of up to 650 mm.

**Definition**

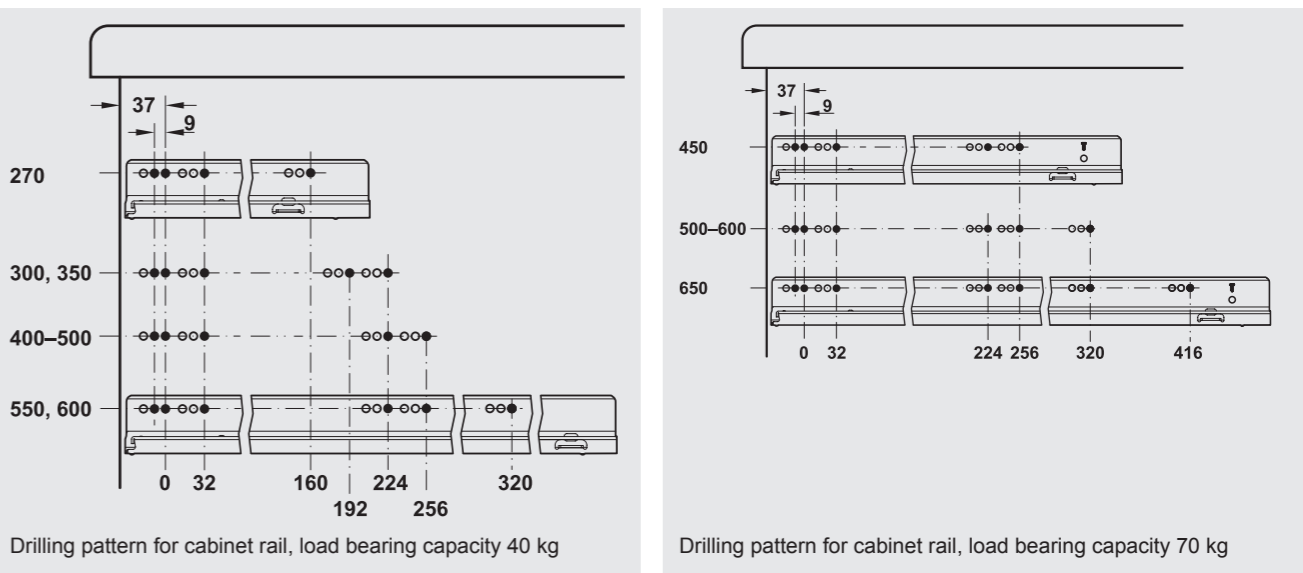


- A Cabinet rail
- B Legrabox drawer sides with cover caps
- C Rear panel fitting set
- D Front fixing bracket
- E Front bracket set for internal drawer
- F Front component for drawer
- G Tip-On Blumotion unit and follower
- K Synchronising set for Tip-On Blumotion
- U Glass insert element (front)

**Drawer side design**



**Drilling pattern for cabinet**



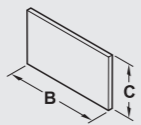
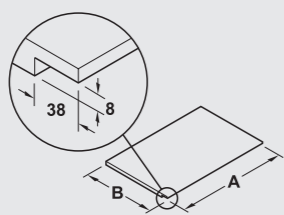
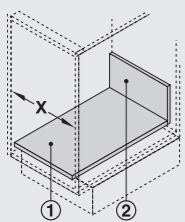
DGH-M 2017, HDE-en, 10/16; Dimensional data not binding. We reserve the right to alter specifications without notice.

DGH-M 2017, HDE-en, 10/16; Dimensional data not binding. We reserve the right to alter specifications without notice.





Cutting dimensions for panels (panel thickness of 16 mm)



Key  
A = length  
B = width  
C = height  
X = internal cabinet width

① Base panel:  
A = nominal length – 10 mm  
B = X – 35 mm

② Rear panel:  
B = X – 38 mm  
C = see table

The base panel must be rebated on the left and right hand side 38 x 8 mm

Drawer side height	System height	Load bearing capacity	Rear panel height C
<b>Legrabox pure drawer/internal drawer</b>			
66 mm	N	40 kg	39 mm
90 mm	M	40/70 kg	63 mm
128 mm	K	40/70 kg	101 mm
<b>Blum Legrabox pure/free pull out for door front fixing/internal pull out</b>			
177 mm	C	40/70 kg	148 mm
240 mm	F	40/70 kg	212 mm

Front ixing brackets for standard front panels

Stability for any system height

The system height N, M, K and C each have their own front fixing brackets for producing a stable connection between the front panel and the drawer side runner.

The front fixing brackets of system height M are installed three times at each drawer side for system height F. Alternatively, the front fixing brackets of system height C or M can be installed twice at each drawer side.

Note

Front fixing brackets are not supplied with the sets.



Front panel material

- > MDF boards
- > HDF boards
- > HPL boards
- > real wood
- > solid wood

Installation

For screw ixing or with Expando spreading dowel

- > drilling depth min. 12 mm
- > drilling Ø 10 mm

For front panel thicknesses from 14 mm

Front ixing brackets for thin front panels

Stability for thin designer front panels

This front panels are being used on an increasing number of occasions in high-quality kitchens and furniture. The front fixing system with the new Expando T spreading dowel securely holds thin front panels in many different materials, including stone or ceramic.

Note

Front fixing brackets are not supplied with the sets.



Front panel material

- > chipboards
- > MDF boards
- > HDF boards
- > HPL boards
- > mineral materials
- > natural stone
- > artificial stone
- > ceramic panels

Installation with Expando T spreading dowel

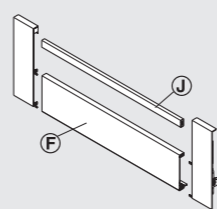
- > drilling depth min. 6 mm
- > drilling Ø 10 mm

For front panel thicknesses 8–14 mm

DGH-M 2017, HDE-en, 10/16; Dimensional data not binding. We reserve the right to alter specifications without notice.



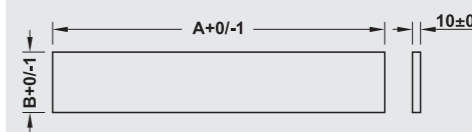
Cutting dimensions for internal pull out



ⓕ Front component: X – 126 mm

ⓙ Railing: X – 90 mm

Cutting dimensions for self-manufactured Legrabox free insert elements



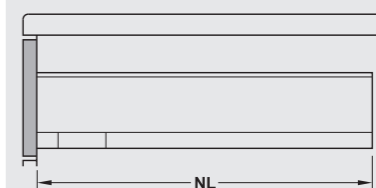
Length A = nominal length – 112 mm  
Height B = 138 mm

Calculation of the internal drawer space dimensions (panel thickness 16 mm)

Internal cabinet width – 41 mm = internal drawer width  
Nominal length – 26 mm = internal drawer depth

Internal cabinet depth

Min. internal cabinet depth = nominal length NL + 3 mm



Adjustment facilities

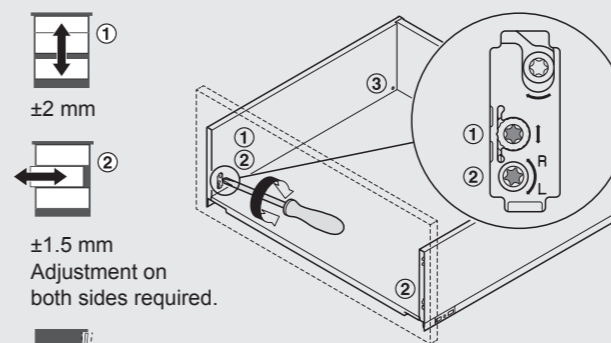
Height and side adjustment



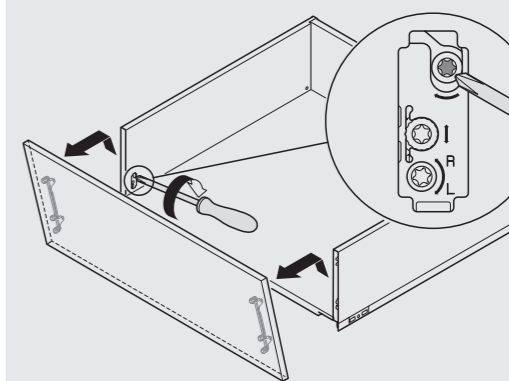
±2 mm



±1.5 mm  
Adjustment on both sides required.



Front panel installation without tools, disassembly with screwdriver



DGH-M 2017, HDE-en, 10/16; Dimensional data not binding. We reserve the right to alter specifications without notice.

Drawer/pull out for door front fixing complete set



Installation dimensions

Min. internal installation depth = nominal length + 3 mm

Supplied with

- 1 pair of cabinet rails
- 1 pair of drawer sides including cover caps (inside/outside)
- 1 rear panel fitting set (left/right)

Order reference

In addition to the integrated Blumotion soft closing mechanism, the optional Tip-On Blumotion unit and follower (G) allow opening of the drawer by simply tapping the front panel.

When using the Tip-On Blumotion unit and follower, it is generally recommended to use the Tip-On Blumotion synchronisation rod.

Please use the Tip-On Blumotion front gap jig for adjusting the front panel.

Front fixing brackets, optional Tip-On Blumotion unit, synchronisation rod and front gap jig not supplied. Please order separately.

Note

More information on processing, installation and internal drawers/ internal pull outs can be found from page 9.82 onwards.

→ Drawer side height 66 mm, system height N

Nom. length mm	Steel				Stainless steel
	Silk white	Terra black	Orion grey	Polar silver	
<b>Load bearing capacity 40 kg</b>					
400	551.26.703	551.26.303	551.26.503	551.26.903	–
450	551.26.704	551.26.304	551.26.504	551.26.904	551.26.004
500	551.26.705	551.26.305	551.26.505	551.26.905	551.26.005
550	551.26.706	551.26.306	551.26.506	551.26.906	–

Packing: 1 set

→ Front fixing bracket, height N

Material	Installation	Model	Cat. No.
Steel	With Expando spreading dowel	ZF7N70E2	550.75.054
	For screw fixing	ZF7N7002	550.75.051

Packing: 1 or 100 pieces

More information on drawer and internal drawer ▶ MB 9.84

Tip-On Blumotion unit and follower ▶ MB 9.101

Tip-On Blumotion synchronisation rod ▶ MB 9.101

Tip-On Blumotion front gap jig ▶ MB 9.102

→ Drawer side height 90 mm, system height M

Nom. length mm	Steel				Stainless steel
	silk white	terra black	Orion grey	polar silver	
<b>Load bearing capacity 40 kg</b>					
270	551.26.720	551.26.320	551.26.520	551.26.920	551.26.020
300	551.26.721	551.26.321	551.26.521	551.26.921	551.26.021
350	551.26.722	551.26.322	551.26.522	551.26.922	551.26.022
400	551.26.723	551.26.323	551.26.523	551.26.923	551.26.023
450	551.26.724	551.26.324	551.26.524	551.26.924	551.26.024
500	551.26.725	551.26.325	551.26.525	551.26.925	551.26.025
550	551.26.726	551.26.326	551.26.526	551.26.926	551.26.026
600	551.26.727	551.26.327	551.26.527	551.26.927	551.26.027
<b>Load bearing capacity 70 kg</b>					
450	551.26.734	551.26.334	551.26.534	551.26.934	551.26.034
500	551.26.735	551.26.335	551.26.535	551.26.935	551.26.035
550	551.26.736	551.26.336	551.26.536	551.26.936	551.26.036
600	551.26.737	551.26.337	551.26.537	551.26.937	551.26.037
650	551.26.738	551.26.338	551.26.538	551.26.938	551.26.038

Packing: 1 set

→ Front fixing bracket, height M

Material	Installation	Model	Cat. No.
Steel	With Expando spreading dowel	ZF7M70E2	550.75.064
	For screw fixing	ZF7M7002	550.75.061

Packing: 1 or 100 pieces

More information on drawer and internal drawer ▶ MB 9.84

Tip-On Blumotion unit and follower ▶ MB 9.101

Tip-On Blumotion synchronisation rod ▶ MB 9.101

Tip-On Blumotion front gap jig ▶ MB 9.102

→ Drawer side height 128 mm, system height K

Nom. length mm	Steel				Stainless steel
	silk white	terra black	Orion grey	polar silver	
<b>Load bearing capacity 40 kg</b>					
300	551.26.741	551.26.341	551.26.541	551.26.941	–
350	551.26.742	551.26.342	551.26.542	551.26.942	551.26.042
400	551.26.743	551.26.343	551.26.543	551.26.943	551.26.043
450	551.26.744	551.26.344	551.26.544	551.26.944	551.26.044
500	551.26.745	551.26.345	551.26.545	551.26.945	551.26.045
550	551.26.746	551.26.346	551.26.546	551.26.946	551.26.046
600	551.26.747	551.26.347	551.26.547	551.26.947	–
<b>Load bearing capacity 70 kg</b>					
450	551.26.754	551.26.354	551.26.554	551.26.954	551.26.054
500	551.26.755	551.26.355	551.26.555	551.26.955	551.26.055
550	551.26.756	551.26.356	551.26.556	551.26.956	551.26.056
600	551.26.757	551.26.357	551.26.557	551.26.957	–

Packing: 1 set

→ Front fixing bracket, height K

Material	Installation	Model	Cat. No.
Steel	With Expando spreading dowel	ZF7K70E2	550.75.074
	For screw fixing	ZF7K7002	550.75.071

Packing: 1 or 100 pieces

More information on drawer ▶ MB 9.88

Tip-On Blumotion unit and follower ▶ MB 9.101

Tip-On Blumotion synchronisation rod ▶ MB 9.101

Tip-On Blumotion front gap jig ▶ MB 9.102

DGH-M 2017, HDE-en, 01/17; Dimensional data not binding. We reserve the right to alter specifications without notice.

DGH-M 2017, HDE-en, 01/17; Dimensional data not binding. We reserve the right to alter specifications without notice.



→ Drawer side height 177 mm, system height C

Nom. length mm	Steel				Stainless steel
	silk white	terra black	Orion grey	polar silver	
<b>Load bearing capacity 40 kg</b>					
270	551.27.700	551.27.300	551.27.500	551.27.900	551.27.000
300	551.27.701	551.27.301	551.27.501	551.27.901	551.27.001
350	551.27.702	551.27.302	551.27.502	551.27.902	551.27.002
400	551.27.703	551.27.303	551.27.503	551.27.903	551.27.003
450	551.27.704	551.27.304	551.27.504	551.27.904	551.27.004
500	551.27.705	551.27.305	551.27.505	551.27.905	551.27.005
550	551.27.706	551.27.306	551.27.506	551.27.906	551.27.006
600	551.27.707	551.27.307	551.27.507	551.27.907	551.27.007
<b>Load bearing capacity 70 kg</b>					
450	551.27.714	551.27.314	551.27.514	551.27.914	551.27.014
500	551.27.715	551.27.315	551.27.515	551.27.915	551.27.015
550	551.27.716	551.27.316	551.27.516	551.27.916	551.27.016
600	551.27.717	551.27.317	551.27.517	551.27.917	551.27.017
650	551.27.718	551.27.318	551.27.518	551.27.918	551.27.018

Packing: 1 set

→ Front fixing bracket, height C

Material	Installation	Model	Cat. No.
Steel	With Expando spreading dowel	ZF7C70E2	550.75.084
	For screw fixing	ZF7C7002	550.75.081

More information on internal pull out for door front fixing ▶ MB 9.90

Tip-On Blumotion unit and follower ▶ MB 9.101

Tip-On Blumotion synchronisation rod ▶ MB 9.101

Tip-On Blumotion front gap jig ▶ MB 9.102

Packing: 1 or 100 pieces

→ Drawer side height 240 mm, system height F

Nom. length mm	Steel				Stainless steel
	silk white	terra black	Orion grey	polar silver	
<b>Load bearing capacity 40 kg</b>					
400	551.27.723	551.27.323	551.27.523	551.27.923	551.27.023
450	551.27.724	551.27.324	551.27.524	551.27.924	551.27.024
500	551.27.725	551.27.325	551.27.525	551.27.925	551.27.025
550	551.27.726	551.27.326	551.27.526	551.27.926	551.27.026
600	551.27.727	551.27.327	551.27.527	551.27.927	551.27.027
<b>Load bearing capacity 70 kg</b>					
450	551.27.734	551.27.334	551.27.534	551.27.934	551.27.034
500	551.27.735	551.27.335	551.27.535	551.27.935	551.27.035
550	551.27.736	551.27.336	551.27.536	551.27.936	551.27.036
600	551.27.737	551.27.337	551.27.537	551.27.937	551.27.037
650	551.27.738	551.27.338	551.27.538	551.27.938	551.27.038

Packing: 1 set

→ Front fixing bracket, height F

Material	Installation	Model	Cat. No.
Steel	With Expando spreading dowel	ZF7M70E2	550.75.064
	For screw fixing	ZF7M7002	550.75.061

More information on pull out for door front fixing ▶ MB 9.94

Tip-On Blumotion unit and follower ▶ MB 9.101

Tip-On Blumotion synchronisation rod ▶ MB 9.101

Tip-On Blumotion front gap jig ▶ MB 9.102

Packing: 1 or 100 pieces

**Order reference**

6 front fixing brackets height M are required for 1 pull out for door front fixing height F.  
Alternative: 2 front fixing brackets each of height C and M.

Tip-On Blumotion Unit and follower ©



- > Suitable for: Blum Legrabox pure/free drawer side runner system, Blum Movento drawer runners
- > Material: Plastic
- > Colour: Grey

**Technical data**

Model	For nominal length (mm)		Load bearing capacity* (kg)	
	Legrabox	Movento	Legrabox	Movento
T60L7040	270–300	270–320	Up to 10	Up to 10
T60L7140			10 to 20	10 to 20
T60L7340	350–650	350–750	Up to 20	Up to 20
T60L7540			15 to 40	15 to 40
T60L7570			35 to 70	35 to 60

\* Recommended load bearing capacity (total weight of pull out including load) for optimum opening and closing function

**Supplied with**

- 2 Tip-On Blumotion units (left/right)
- 2 Tip-On Blumotion followers (left/right)
- 2 Tip-On Blumotion synchronising adapters

Model	Cat. No.
T60L7140	550.61.040
T60L7140	550.61.041
T60L7340	550.61.042
T60L7540	550.61.043
T60L7570	550.61.044

Packing: 1 set

**Order reference**

When using the Tip-On Blumotion unit and follower, it is generally recommended to use the Tip-On Blumotion synchronisation rod.

Tip-On Blumotion synchronisation rod, for standard drawers ▶ MB 9.101

Tip-On Blumotion synchronisation rod, for narrow drawers ▶ MB 9.101



DGH-M 2017, HDE-en, 01/17; Dimensional data not binding. We reserve the right to alter specifications without notice.

DGH-M 2017, HDE-en, 01/17; Dimensional data not binding. We reserve the right to alter specifications without notice.



Drawer/pull out for door front fixing complete set



**Installation dimensions**  
Min. internal installation depth = nominal length + 3 mm

**Supplied with**  
1 pair of cabinet rails  
1 pair of drawer sides including cover caps (inside/outside)  
1 rear panel fitting set (left/right)

**Order reference**  
Two required front fixing brackets for one drawer/pull out for door front fixing are not supplied, please order separately.  
More information on processing, installation and internal drawers/ internal pull outs can be found from page 9.82 onwards.

Tip-On synchro unit ▶ MB 9.101

→ Drawer side height 66 mm, system height N

Nom. length mm	Steel				Stainless steel
	silk white	terra black	Orion grey	polar silver	
<b>Load bearing capacity 40 kg</b>					
400	550.72.713	550.72.313	550.72.513	550.72.913	–
450	550.72.714	550.72.314	550.72.514	550.72.914	550.72.014
500	550.72.715	550.72.315	550.72.515	550.72.915	550.72.015
550	550.72.716	550.72.316	550.72.516	550.72.916	–

Packing: 1 set

→ Front fixing bracket, height N

Material	Installation	Model	Cat. No.	More information on drawer ▶ MB 9.82
Steel	With Expando spreading dowel	ZF7N70E2	550.75.054	
	For screw fixing	ZF7N7002	550.75.051	

Packing: 1 or 100 pieces

→ Drawer side height 90 mm, system height M

Nom. length mm	Steel				Stainless steel
	silk white	terra black	Orion grey	polar silver	
<b>Load bearing capacity 40 kg</b>					
270	550.72.720	550.72.320	550.72.520	550.72.920	550.72.020
300	550.72.721	550.72.321	550.72.521	550.72.921	550.72.021
350	550.72.722	550.72.322	550.72.522	550.72.922	550.72.022
400	550.72.723	550.72.323	550.72.523	550.72.923	550.72.023
450	550.72.724	550.72.324	550.72.524	550.72.924	550.72.024
500	550.72.725	550.72.325	550.72.525	550.72.925	550.72.025
550	550.72.726	550.72.326	550.72.526	550.72.926	550.72.026
600	550.72.727	550.72.327	550.72.527	550.72.927	550.72.027
<b>Load bearing capacity 70 kg</b>					
450	550.72.734	550.72.334	550.72.534	550.72.934	550.72.034
500	550.72.735	550.72.335	550.72.535	550.72.935	550.72.035
550	550.72.736	550.72.336	550.72.536	550.72.936	550.72.036
600	550.72.737	550.72.337	550.72.537	550.72.937	550.72.037
650	550.72.738	550.72.338	550.72.538	550.72.938	550.72.038

Packing: 1 set

→ Front fixing bracket, height M

Material	Installation	Model	Cat. No.	More information on drawer and internal drawer ▶ MB 9.84
Steel	With Expando spreading dowel	ZF7M70E2	550.75.064	
	For screw fixing	ZF7M7002	550.75.061	

Packing: 1 or 100 pieces

→ Drawer side height 128 mm, system height K

Nom. length mm	Steel				Stainless steel
	silk white	terra black	Orion grey	polar silver	
<b>Load bearing capacity 40 kg</b>					
300	550.72.741	550.72.341	550.72.541	550.72.941	–
350	550.72.742	550.72.342	550.72.542	550.72.942	550.72.042
400	550.72.743	550.72.343	550.72.543	550.72.943	550.72.043
450	550.72.744	550.72.344	550.72.544	550.72.944	550.72.044
500	550.72.745	550.72.345	550.72.545	550.72.945	550.72.045
550	550.72.746	550.72.346	550.72.546	550.72.946	550.72.046
600	550.72.747	550.72.347	550.72.547	550.72.947	–
<b>Load bearing capacity 70 kg</b>					
450	550.72.754	550.72.354	550.72.554	550.72.954	550.72.054
500	550.72.755	550.72.355	550.72.555	550.72.955	550.72.055
550	550.72.756	550.72.356	550.72.556	550.72.956	550.72.056
600	550.72.757	550.72.357	550.72.557	550.72.957	–

Packing: 1 set

→ Front fixing bracket, height K

Material	Installation	Model	Cat. No.	More information on drawer ▶ MB 9.88
Steel	With Expando spreading dowel	ZF7K70E2	550.75.074	
	For screw fixing	ZF7K7002	550.75.071	

Packing: 1 or 100 pieces

→ Drawer side height 177 mm, system height C

Nom. length mm	Steel				Stainless steel
	silk white	terra black	Orion grey	polar silver	
<b>Load bearing capacity 40 kg</b>					
270	550.73.700	550.73.300	550.73.500	550.73.900	550.73.000
300	550.73.701	550.73.301	550.73.501	550.73.901	550.73.001
350	550.73.702	550.73.302	550.73.502	550.73.902	550.73.002
400	550.73.703	550.73.303	550.73.503	550.73.903	550.73.003
450	550.73.704	550.73.304	550.73.504	550.73.904	550.73.004
500	550.73.705	550.73.305	550.73.505	550.73.905	550.73.005
550	550.73.706	550.73.306	550.73.506	550.73.906	550.73.006
600	550.73.707	550.73.307	550.73.507	550.73.907	550.73.007
<b>Load bearing capacity 70 kg</b>					
450	550.73.714	550.73.314	550.73.514	550.73.914	550.73.014
500	550.73.715	550.73.315	550.73.515	550.73.915	550.73.015
550	550.73.716	550.73.316	550.73.516	550.73.916	550.73.016
600	550.73.717	550.73.317	550.73.517	550.73.917	550.73.017
650	550.73.718	550.73.318	550.73.518	550.73.918	550.73.018

Packing: 1 set

→ Front fixing bracket, height C

Material	Installation	Model	Cat. No.	More information on internal pull out for door front fixing ▶ MB 9.90
Steel	With Expando spreading dowel	ZF7C70E2	550.75.084	
	For screw fixing	ZF7C7002	550.75.081	

Packing: 1 or 100 pieces

DGH-M 2017, HDE-en, 01/17; Dimensional data not binding. We reserve the right to alter specifications without notice.

DGH-M 2017, HDE-en, 01/17; Dimensional data not binding. We reserve the right to alter specifications without notice.



9

Drawer and Pull Out for Door Front Fixing



9

Drawer and Pull Out for Door Front Fixing

→ Drawer side height 240 mm, system height F

Nom. length mm	Steel				Stainless steel
	silk white	terra black	Orion grey	polar silver	
<b>Load bearing capacity 40 kg</b>					
400	550.73.723	550.73.323	550.73.523	550.73.923	550.73.023
450	550.73.724	550.73.324	550.73.524	550.73.924	550.73.024
500	550.73.725	550.73.325	550.73.525	550.73.925	550.73.025
550	550.73.726	550.73.326	550.73.526	550.73.926	550.73.026
600	550.73.727	550.73.327	550.73.527	550.73.927	550.73.027
<b>Load bearing capacity 70 kg</b>					
450	550.73.734	550.73.334	550.73.534	550.73.934	550.73.034
500	550.73.735	550.73.335	550.73.535	550.73.935	550.73.035
550	550.73.736	550.73.336	550.73.536	550.73.936	550.73.036
600	550.73.737	550.73.337	550.73.537	550.73.937	550.73.037
650	550.73.738	550.73.338	550.73.538	550.73.938	550.73.038

Packing: 1 set

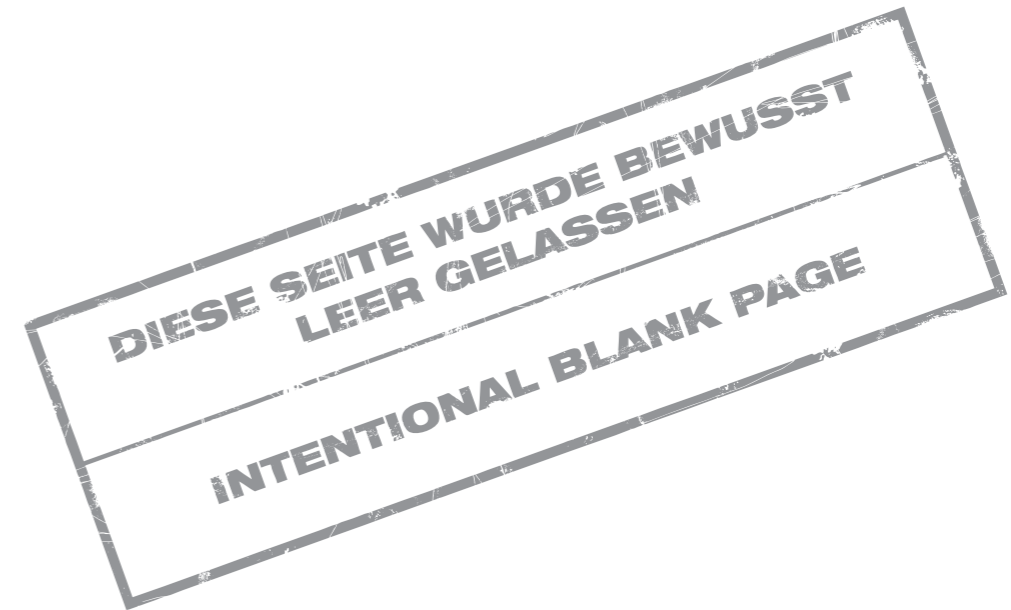
→ Front fixing bracket, height F

Material	Installation	Model	Cat. No.	
Steel	With Expando spreading dowel	ZF7M70E2	550.75.064	More information on pull out for door front fixing ► MB 9.94
	For screw fixing	ZF7M7002	550.75.061	

Packing: 1 or 100 pieces

**Order reference**

6 front fixing brackets height M are required for 1 pull out for door front fixing height F.  
Alternative: 2 front fixing brackets each of height C and M.



DGH-M 2017, HDE-en, 01/17; Dimensional data not binding. We reserve the right to alter specifications without notice.



→ Drawer side height 177 mm, system height C

Nom. length mm	Steel				Stainless steel
	silk white	terra black	Orion grey	polar silver	
<b>Load bearing capacity 40 kg</b>					
270	550.59.700	550.59.300	550.59.500	550.59.900	550.59.000
300	550.59.701	550.59.301	550.59.501	550.59.901	550.59.001
350	550.59.702	550.59.302	550.59.502	550.59.902	550.59.002
400	550.59.703	550.59.303	550.59.503	550.59.903	550.59.003
450	550.59.704	550.59.304	550.59.504	550.59.904	550.59.004
500	550.59.705	550.59.305	550.59.505	550.59.905	550.59.005
550	550.59.706	550.59.306	550.59.506	550.59.906	550.59.006
600	550.59.707	550.59.307	550.59.507	550.59.907	550.59.007
<b>Load bearing capacity 70 kg</b>					
450	550.59.714	550.59.314	550.59.514	550.59.914	550.59.014
500	550.59.715	550.59.315	550.59.515	550.59.915	550.59.015
550	550.59.716	550.59.316	550.59.516	550.59.916	550.59.016
600	550.59.717	550.59.317	550.59.517	550.59.917	550.59.017
650	550.59.718	550.59.318	550.59.518	550.59.918	550.59.018

Packing: 1 set

→ Front fixing bracket, height C

Material	Installation	Model	Cat. No.	
Steel	With Expando spreading dowel	ZF7C70E2	550.75.084	More information on internal pull out for door front fixing ► MB 9.90
	For screw fixing	ZF7C7002	550.75.081	

Packing: 1 or 100 pieces

→ Drawer side height 240 mm, system height F

Nom. length mm	Steel				Stainless steel
	silk white	terra black	Orion grey	polar silver	
<b>Load bearing capacity 40 kg</b>					
400	550.59.723	550.59.323	550.59.523	550.59.923	550.59.023
450	550.59.724	550.59.324	550.59.524	550.59.924	550.59.024
500	550.59.725	550.59.325	550.59.525	550.59.925	550.59.025
550	550.59.726	550.59.326	550.59.526	550.59.926	550.59.026
600	550.59.727	550.59.327	550.59.527	550.59.927	550.59.027
<b>Load bearing capacity 70 kg</b>					
450	550.59.734	550.59.334	550.59.534	550.59.934	550.59.034
500	550.59.735	550.59.335	550.59.535	550.59.935	550.59.035
550	550.59.736	550.59.336	550.59.536	550.59.936	550.59.036
600	550.59.737	550.59.337	550.59.537	550.59.937	550.59.037
650	550.59.738	550.59.338	550.59.538	550.59.938	550.59.038

Packing: 1 set

→ Front fixing bracket, height F

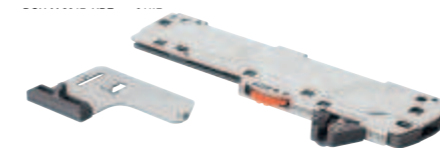
Material	Installation	Model	Cat. No.	
Steel	With Expando spreading dowel	ZF7M70E2	550.75.064	More information on pull out for door front fixing ► MB 9.94
	For screw fixing	ZF7M7002	550.75.061	

Packing: 1 or 100 pieces

**Order reference**

6 front fixing brackets height M are required for 1 pull out for door front fixing height F.  
Alternative: 2 front fixing brackets each of height C and M.

Tip-On Blumotion Unit and follower ③



- > Suitable for: Blum Legrabox pure/free drawer side runner system, Blum Movento drawer runners
- > Material: Plastic
- > Colour: Grey

**Technical data**

Model	For nominal length (mm)		Load bearing capacity* (kg)	
	Legrabox:	Movento	Legrabox	Movento
T60L7040	270–300	270–320	Up to 10	Up to 10
T60L7140			10 to 20	10 to 20
T60L7340	350–650	350–750	Up to 20	Up to 20
T60L7540			15 to 40	15 to 40
T60L7570			35 to 70	35 to 60

\* Recommended load bearing capacity (total weight of pull out including load) for optimum opening and closing function

Model	Cat. No.
T60L7040	550.61.004
T60L7140	550.61.000
T60L7340	550.61.001
T60L7540	550.61.002
T60L7570	550.61.003

Packing: 1 set





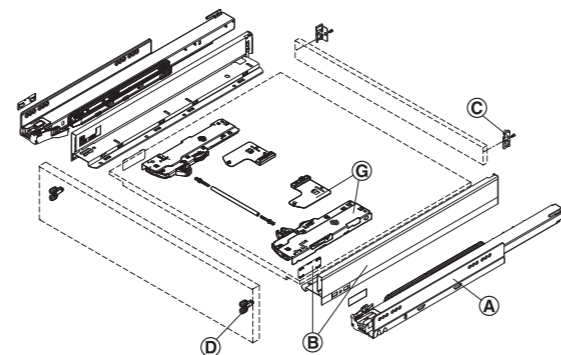
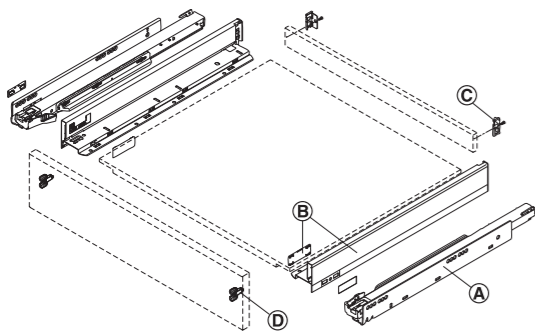
Drawer

Drawer side height 66 mm, system height N



→ Set for drawer

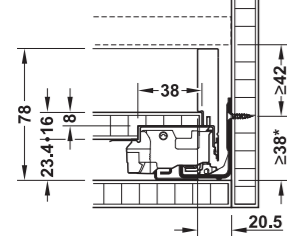
Drawer side height 66 mm, system height N



Drawer with Blumotion S cabinet rail (integrated soft closing mechanism) or with Tip-On cabinet rail (integrated automatic opening mechanism)

Drawer with Blumotion S cabinet rail and Tip-On Blumotion unit and follower (G) (integrated soft closing mechanism and Tip-On automatic opening mechanism)

Internal installation height



\* +1 mm where a base panel is installed beneath the cabinet rail

Installation dimensions

Min. internal installation depth = nominal length + 3 mm

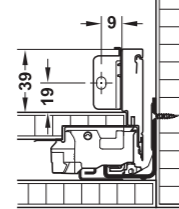
Supplied with

- 1 pair of cabinet rails (A)
- 1 pair of drawer sides including 4 cover caps (B)
- 1 rear panel fitting set (left/right) (C)

Order reference

The front fixing brackets (D) for the drawer as well as the optional Tip-On Blumotion unit and follower (G) are not supplied and must be ordered separately.

Rear panel installation dimensions



Internal cabinet width - 38 mm = rear panel width

With Blumotion S cabinet rail

- > Type of pull out: Full extension with integrated Blumotion soft closing mechanism
- > Functionality: **With Blumotion soft closing mechanism**  
The Blumotion soft closing mechanism integrated in the cabinet rail provides gentle and silent closing of the drawer.  
**With Blumotion soft closing mechanism and Tip-On automatic opening mechanism**  
In addition to the integrated Blumotion soft closing mechanism, the optional Tip-On Blumotion unit and follower allow (G) opening of the drawer by simply tapping the front panel.

Note

Please use the side stabilisation set from a cabinet width of 900 mm and above.

Nom. length mm	Steel				Stainless steel
	silk white	terra black	Orion grey	polar silver	
<b>Load bearing capacity 40 kg</b>					
400	551.26.703	551.26.303	551.26.503	551.26.903	–
450	551.26.704	551.26.304	551.26.504	551.26.904	551.26.004
500	551.26.705	551.26.305	551.26.505	551.26.905	551.26.005
550	551.26.706	551.26.306	551.26.506	551.26.906	–

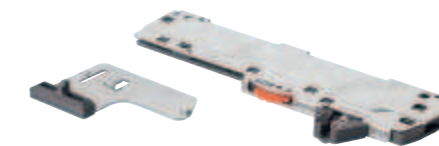
Packing: 1 set

Order reference

The front fixing brackets (D) for the drawer as well as the optional Tip-On Blumotion unit and follower (G) are not supplied and must be ordered separately.

Side stabilisation set	► MB 9.101
Tip-On Blumotion front gap jig	► MB 9.102
Front fixing bracket, height N (D)	► MB 9.83 A
Front fixing bracket, height N (D), for thin front panels	► MB 9.100 A

Tip-On Blumotion Unit and follower (G)



- > Suitable for: Blum Legrabox pure/free drawer side runner system, Blum Movento drawer runners
- > Material: Plastic
- > Colour: Grey

Supplied with

- 2 Tip-On Blumotion units (left/right)
- 2 Tip-On Blumotion followers (left/right)
- 2 Tip-On Blumotion synchronising adapters

Technical data

Model	For nominal length (mm)		Load bearing capacity* (kg)	
	Legrabox	Movento	Legrabox	Movento
T60L7040	270–300	270–320	Up to 10	Up to 10
T60L7140			10 to 20	10 to 20
T60L7340	350–650	350–750	Up to 20	Up to 20
T60L7540			15 to 40	15 to 40
T60L7570			35 to 70	35 to 60

\* Recommended load bearing capacity (total weight of pull out including load) for optimum opening and closing function

Packing: 1 set

Order reference

When using the Tip-On Blumotion unit and follower, it is generally recommended to use the Tip-On Blumotion synchronisation rod.

Tip-On Blumotion synchronisation rod, for standard drawers	► MB 9.101
Tip-On Blumotion synchronisation rod, for narrow drawers	► MB 9.101

With Tip-On cabinet rail

- > Type of pull out: Full extension with integrated Tip-On automatic opening mechanism
- > Functionality: Gently tapping the handle-free front panel suffices to open the drawer when using this cabinet rail

**Note**

We recommend using the Tip-On synchro unit from a cabinet width of 600 mm and above. Please use the side stabilisation set from a cabinet width of 900 mm and above.

Nom. length mm	Steel				Stainless steel
	silk white	terra black	Orion grey	polar silver	
<b>Load bearing capacity 40 kg</b>					
400	550.72.713	550.72.313	550.72.513	550.72.913	–
450	550.72.714	550.72.314	550.72.514	550.72.914	550.72.014
500	550.72.715	550.72.315	550.72.515	550.72.915	550.72.015
550	550.72.716	550.72.316	550.72.516	550.72.916	–

Packing: 1 set

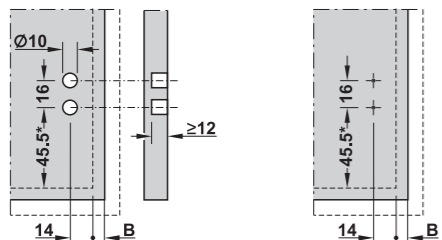
**Order reference**

Front fixing brackets **(D)** for drawer not supplied, please order separately.

Tip-On synchro unit	► MB 9.101
Side stabilisation set	► MB 9.101

**DIESE SEITE WURDE BEWUSST  
LEER GELASSEN**  
**INTENTIONAL BLANK PAGE**

→ Front fixing bracket, height N **(D)**



With Expando spreading dowel

For screw fixing

B = panel overlay

\* + 1 mm where a base panel is installed beneath the cabinet rail

Material	Installation	Model	Cat. No.
Steel	With Expando spreading dowel	ZF7N70E2	550.75.054
	For screw fixing	ZF7N7002	550.75.051

Packing: 1 or 100 pieces

**Order reference**

2 front fixing brackets are required for 1 drawer.

Front fixing bracket, height N **(D)**, for thin front panels ► MB 9.100 A

DGH-M 2017, HDE-en, 01/17; Dimensional data not binding. We reserve the right to alter specifications without notice.



9

Drawer and Pull Out for Door Front Fixing

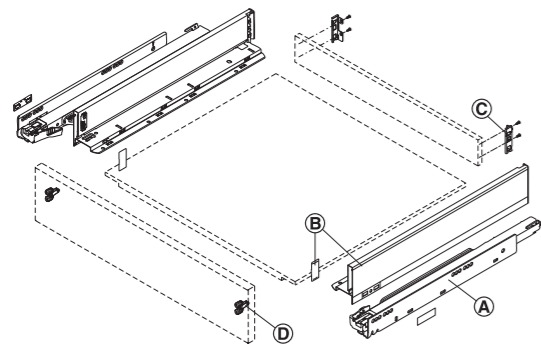
Drawer

Drawer side height 90 mm, system height M

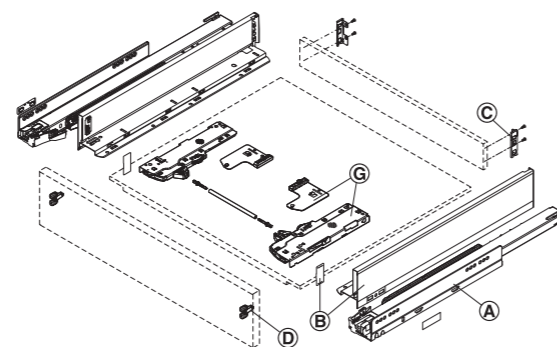


→ Set for drawer

Drawer side height 90 mm, system height M



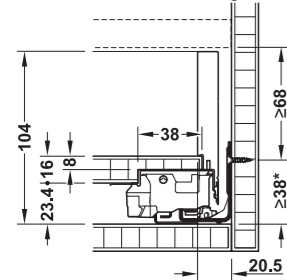
Drawer with Blumotion S cabinet rail (integrated soft closing mechanism) or with Tip-On cabinet rail (integrated automatic opening mechanism)



Drawer with Blumotion S cabinet rail and Tip-On Blumotion unit and follower (integrated soft closing mechanism and Tip-On automatic opening mechanism)



Internal installation height



\* + 1 mm where a base panel is installed beneath the cabinet rail

Installation dimensions

Min. internal installation depth = nominal length + 3 mm

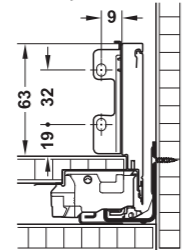
Supplied with

- 1 pair of cabinet rails (A)
- 1 pair of drawer sides including 4 cover caps (B)
- 1 rear panel fitting set (left/right) (C)

Order reference

The front fixing brackets (D) for the drawer as well as the Tip-On Blumotion unit and follower (G) are not supplied and must be ordered separately.

Rear panel installation dimensions



Internal cabinet width – 38 mm = rear panel width

With Blumotion S cabinet rail

- > Type of pull out: Full extension with integrated Blumotion soft closing mechanism
- > Functionality: **With Blumotion soft closing mechanism**  
The Blumotion soft closing mechanism integrated in the cabinet rail provides gentle and silent closing of the drawer.  
**With Blumotion soft closing mechanism and Tip-On automatic opening mechanism**  
In addition to the integrated Blumotion soft closing mechanism, the optional Tip-On Blumotion unit and follower allow (G) opening of the drawer by simply tapping the front panel.

Note

Please use the side stabilisation set from a cabinet width of 900 mm and above.

Nom. length	Steel				Stainless steel
	silk white	terra black	Orion grey	polar silver	
<b>Load bearing capacity 40 kg</b>					
270 mm	551.26.720	551.26.320	551.26.520	551.26.920	551.26.020
300 mm	551.26.721	551.26.321	551.26.521	551.26.921	551.26.021
350 mm	551.26.722	551.26.322	551.26.522	551.26.922	551.26.022
400 mm	551.26.723	551.26.323	551.26.523	551.26.923	551.26.023
450 mm	551.26.724	551.26.324	551.26.524	551.26.924	551.26.024
500 mm	551.26.725	551.26.325	551.26.525	551.26.925	551.26.025
550 mm	551.26.726	551.26.326	551.26.526	551.26.926	551.26.026
600 mm	551.26.727	551.26.327	551.26.527	551.26.927	551.26.027
<b>Load bearing capacity 70 kg</b>					
450 mm	551.26.734	551.26.334	551.26.534	551.26.934	551.26.034
500 mm	551.26.735	551.26.335	551.26.535	551.26.935	551.26.035
550 mm	551.26.736	551.26.336	551.26.536	551.26.936	551.26.036
600 mm	551.26.737	551.26.337	551.26.537	551.26.937	551.26.037
650 mm	551.26.738	551.26.338	551.26.538	551.26.938	551.26.038

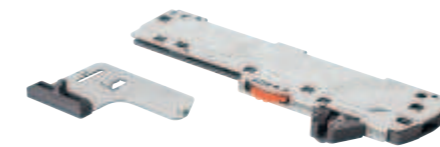
Packing: 1 set

Order reference

The front fixing brackets (D) for the drawer as well as the Tip-On Blumotion unit and follower (G) are not supplied and must be ordered separately.

Side stabilisation set	► MB 9.101
Tip-On Blumotion front gap jig	► MB 9.102
Front fixing bracket, height M (D)	► MB 9.85 A
Front fixing bracket, height M (D), for thin front panels	► MB 9.100 A

Tip-On Blumotion Unit and follower (G)



- > Suitable for: Blum Legrabox pure/free drawer side runner system, Blum Movento drawer runners
- > Material: Plastic
- > Colour: Grey

Supplied with

- 2 Tip-On Blumotion units (left/right)
- 2 Tip-On Blumotion followers (left/right)
- 2 Tip-On Blumotion synchronising adapters

Technical data

Model	For nominal length (mm)		Load bearing capacity* (kg)	
	Legrabox	Movento	Legrabox	Movento
T60L7040	270–300	270–320	Up to 10	Up to 10
T60L7140			10 to 20	10 to 20
T60L7340	350–650	350–750	Up to 20	Up to 20
T60L7540			15 to 40	15 to 40
T60L7570			35 to 70	35 to 60

\* Recommended load bearing capacity (total weight of pull out including load) for optimum opening and closing function

Order reference

When using the Tip-On Blumotion unit and follower, it is generally recommended to use the Tip-On Blumotion synchronisation rod.

Model	Cat. No.
T60L7140	550.61.040
T60L7140	550.61.041
T60L7340	550.61.042
T60L7540	550.61.043
T60L7570	550.61.044

Packing: 1 set

Tip-On Blumotion synchronisation rod, for standard drawers	► MB 9.101
Tip-On Blumotion synchronisation rod, for narrow drawers	► MB 9.101



With Tip-On cabinet rail

- > Type of pull out: Full extension with integrated Tip-On automatic opening mechanism
- > Functionality: Gently tapping the handle-free front panel suffices to open the drawer when using this cabinet rail

Note

We recommend using the Tip-On synchro unit from a cabinet width of 600 mm and above. Please use the side stabilisation set from a cabinet width of 900 mm and above.

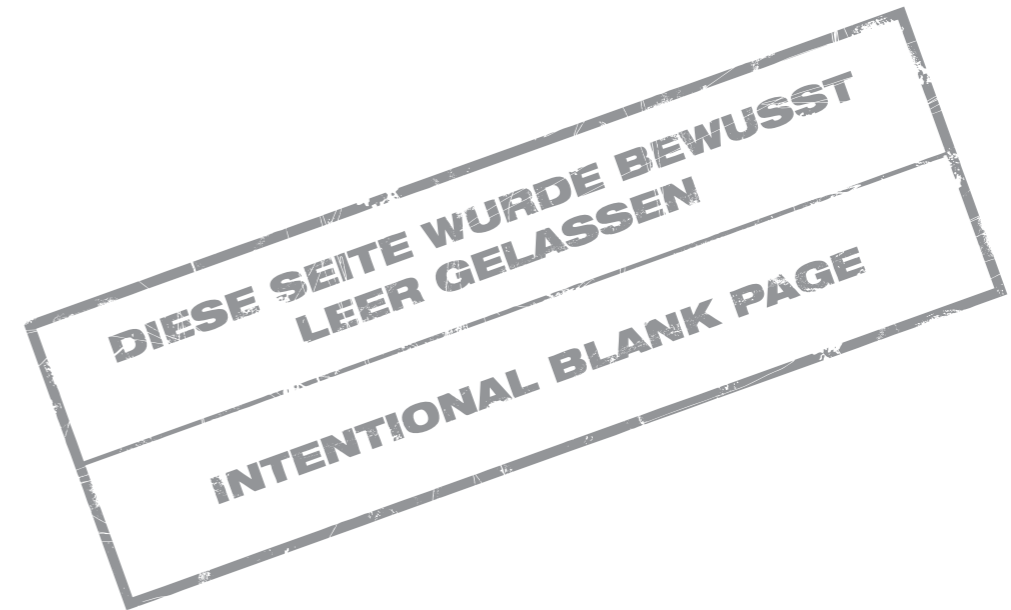
Nom. length mm	Steel				Stainless steel
	silk white	terra black	Orion grey	polar silver	
<b>Load bearing capacity 40 kg</b>					
270	550.72.720	550.72.320	550.72.520	550.72.920	550.72.020
300	550.72.721	550.72.321	550.72.521	550.72.921	550.72.021
350	550.72.722	550.72.322	550.72.522	550.72.922	550.72.022
400	550.72.723	550.72.323	550.72.523	550.72.923	550.72.023
450	550.72.724	550.72.324	550.72.524	550.72.924	550.72.024
500	550.72.725	550.72.325	550.72.525	550.72.925	550.72.025
550	550.72.726	550.72.326	550.72.526	550.72.926	550.72.026
600	550.72.727	550.72.327	550.72.527	550.72.927	550.72.027
<b>Load bearing capacity 70 kg</b>					
450	550.72.734	550.72.334	550.72.534	550.72.934	550.72.034
500	550.72.735	550.72.335	550.72.535	550.72.935	550.72.035
550	550.72.736	550.72.336	550.72.536	550.72.936	550.72.036
600	550.72.737	550.72.337	550.72.537	550.72.937	550.72.037
650	550.72.738	550.72.338	550.72.538	550.72.938	550.72.038

Packing: 1 set

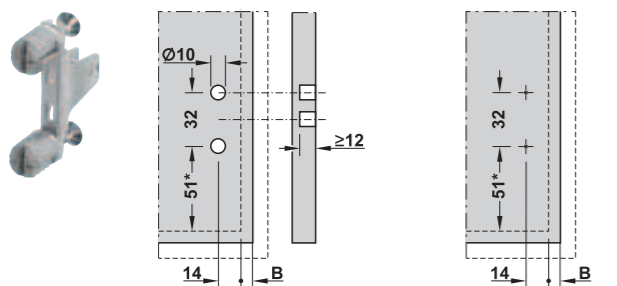
Order reference

Front fixing brackets (D) for drawer not supplied, please order separately.

Tip-On synchro unit	► MB 9.101
Side stabilisation set	► MB 9.101



→ Front fixing bracket, height M (D)



With Expando spreading dowel

For screw fixing

B = panel overlay  
\* + 1 mm where a base panel is installed beneath the cabinet rail

Material	Installation	Model	Cat. No.
Steel	With Expando spreading dowel	ZF7M70E2	550.75.064
	For screw fixing	ZF7M7002	550.75.061

Packing: 1 or 100 pieces

Order reference

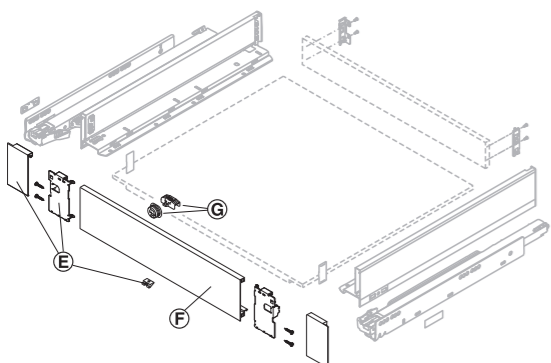
2 front fixing brackets are required for one drawer.

Front fixing bracket, height M (D), for thin front panels ► MB 9.100 A

DGH-M 2017, HDE-en\_01/17; Dimensional data not binding. We reserve the right to alter specifications without notice.

**Internal drawer**

Drawer side height 90 mm, system height M



→ **Front component for internal drawer (F)**



- > Material: Aluminium
- > For cabinet width: Max. 1,200 mm (16 mm side panel thickness)
- > Length: 1,043 mm
- > Installation: For cutting to size: Internal cabinet width – 126 mm for plug fitting into front bracket

Model	Colour	Cat. No.
ZV7.1043C01	Silk white	550.74.728
	Terra black	550.74.328
	Orion grey	550.74.528
	Polar silver	550.74.928
	Nickel coloured anodized	550.74.028

Packing: 1 piece

→ **Follower set for internal drawer (G)**



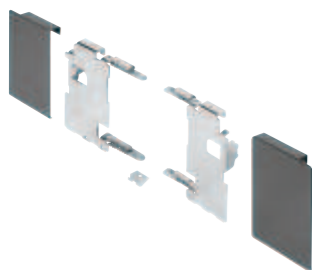
- > Area of application: For extending the pull out for door front fixing and internal drawer simultaneously
- > Material: Plastic
- > Installation: Follower is clipped onto the front component of the internal drawer, follower housing is mounted in drilled hole in inner side of front panel.

**Supplied with**  
1 follower  
1 follower housing

Model	Colour	Cat. No.
ZI7.0M07	Silk white	550.74.790
	Terra black	550.74.390
	Orion grey	550.74.590
	Polar silver	550.74.990

Packing: 1 set

→ **Front bracket set for internal drawer (E)**



- > Material: Front brackets and cover caps: Steel, support: Plastic

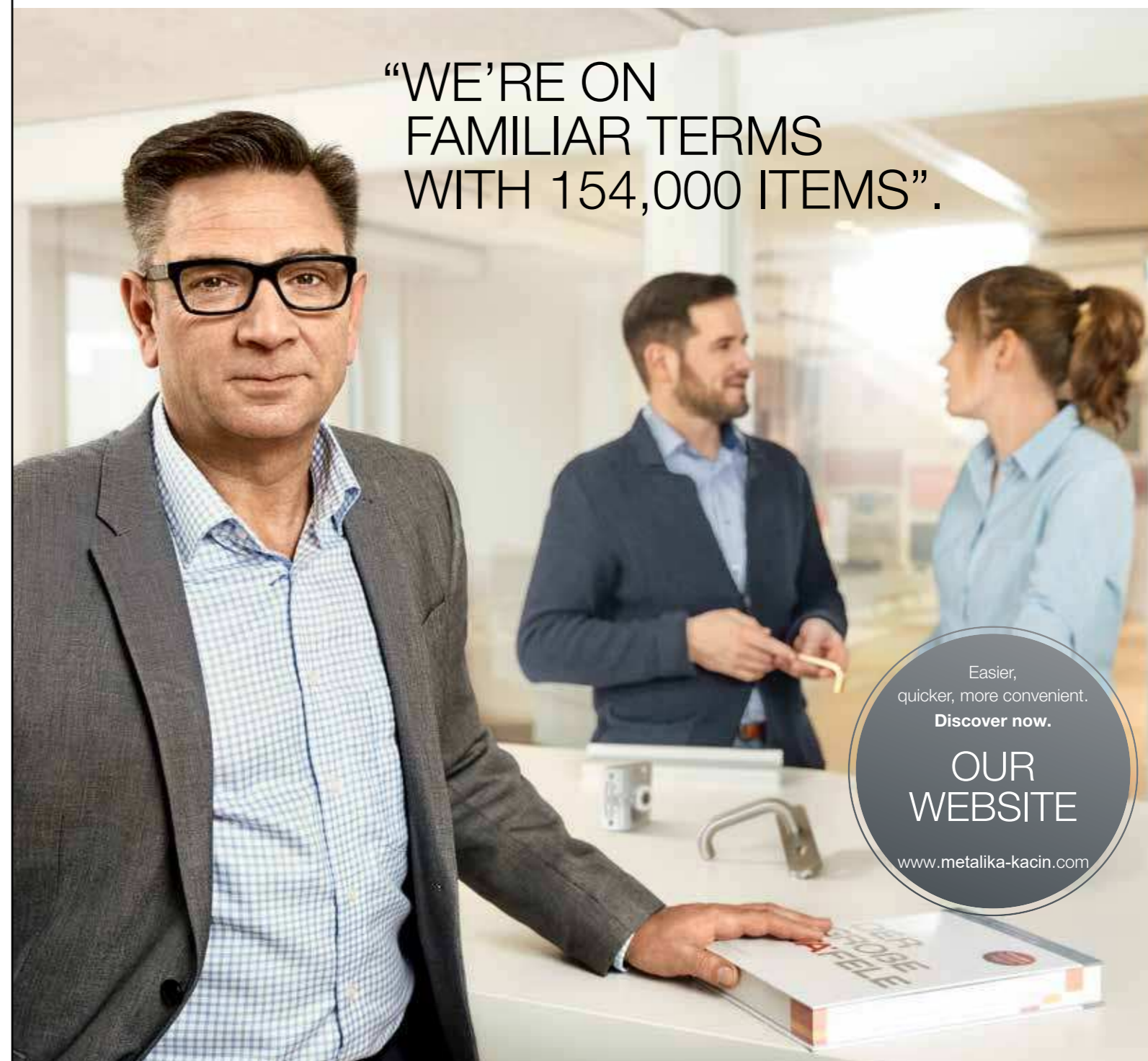
**Supplied with**  
2 front brackets (left/right)  
2 cover caps outside (left/right)  
1 support for drawer front panel

Model	Colour	Cat. No.
ZI7.0MS0	Silk white	550.76.700
	Terra black	550.76.300
	Orion grey	550.76.500
	Polar silver	550.76.900
ZI7.0MI0	Grey (matching stainless steel)	550.76.000

Packing: 1 set

Drawer, system height M ▶ MB 9.84  
Ambia-Line compartment system ▶ MB 9.172

DGH-M 2017, HDE-en, 01/17; Dimensional data not binding. We reserve the right to alter specifications without notice.



“WE’RE ON FAMILIAR TERMS WITH 154,000 ITEMS”.

Easier, quicker, more convenient.  
**Discover now.**

**OUR WEBSITE**

[www.metalika-kacin.com](http://www.metalika-kacin.com)

**THINKING AHEAD WITH PARTNERS.**

Impressive product ranges are the result of foresight. We observe markets, trends and innovative developments in order to offer you the world’s biggest selection of true problem solvers. With outstanding availability, short delivery times and knowledge that results in optimum deployment and time-saving installation. So that you can also productively implement the latest ideas for your customers tomorrow. Your success is our motivation.

[www.metalika-kacin.com](http://www.metalika-kacin.com)

[www.metalika-kacin.com](http://www.metalika-kacin.com)

[www.metalika-kacin.com](http://www.metalika-kacin.com)





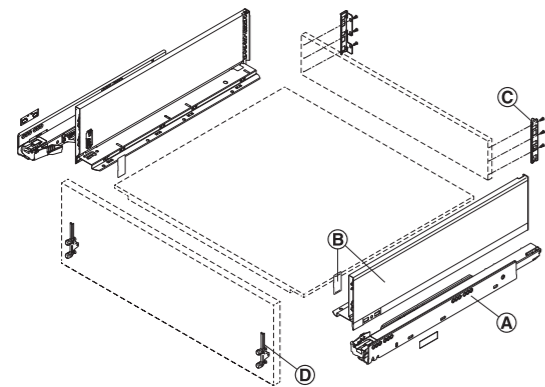
**Drawer**

Drawer side height 128 mm, system height K

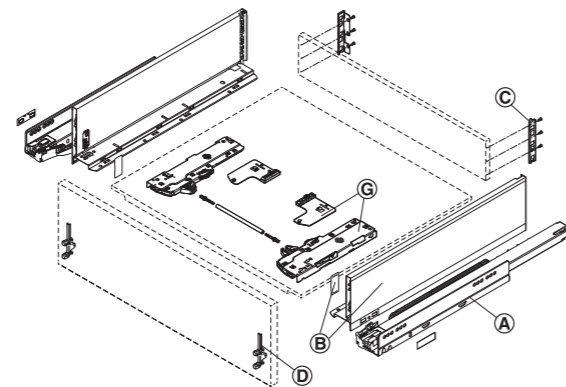


→ **Set for drawer**

Drawer side height 128 mm, system height K



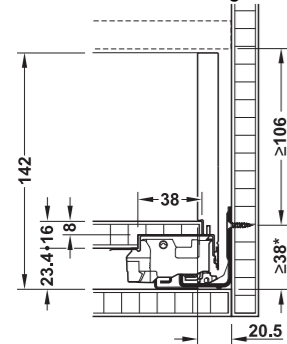
Drawer with Blumotion S cabinet rail (integrated soft closing mechanism) or with Tip-On cabinet rail (integrated automatic opening mechanism)



Drawer with Blumotion S cabinet rail and Tip-On Blumotion unit and follower (integrated soft closing mechanism and Tip-On automatic opening mechanism)

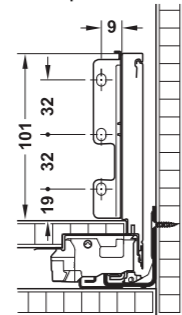


**Internal installation height**



\* + 1 mm where a base panel is installed beneath the cabinet rail

**Rear panel installation dimensions**



Internal cabinet width – 38 mm = rear panel width

**Installation dimensions**

Min. internal installation depth = nominal length + 3 mm

**Supplied with**

- 1 pair of cabinet rails (A)
- 1 pair of drawer sides including 4 cover caps (B)
- 1 rear panel fitting set (left/right) (C)

**Order reference**

The front fixing brackets (D) for the drawer as well as the Tip-On Blumotion unit and follower (G) are not supplied and must be ordered separately.

**With Blumotion S cabinet rail**

- > Type of pull out: Full extension with integrated Blumotion soft closing mechanism
- > Functionality: **With Blumotion soft closing mechanism**  
The Blumotion soft closing mechanism integrated in the cabinet rail provides gentle and silent closing of the drawer.  
**With Blumotion soft closing mechanism and Tip-On automatic opening mechanism**  
In addition to the integrated Blumotion soft closing mechanism, the optional Tip-On Blumotion unit and follower allow (G) opening of the drawer by simply tapping the front panel.

**Note**

Please use the side stabilisation set from a cabinet width of 900 mm and above.

Nom. length mm	Steel				Stainless steel
	silk white	terra black	Orion grey	polar silver	
<b>Load bearing capacity 40 kg</b>					
300	551.26.741	551.26.341	551.26.541	551.26.941	–
350	551.26.742	551.26.342	551.26.542	551.26.942	551.26.042
400	551.26.743	551.26.343	551.26.543	551.26.943	551.26.043
450	551.26.744	551.26.344	551.26.544	551.26.944	551.26.044
500	551.26.745	551.26.345	551.26.545	551.26.945	551.26.045
550	551.26.746	551.26.346	551.26.546	551.26.946	551.26.046
600	551.26.747	551.26.347	551.26.547	551.26.947	–
<b>Load bearing capacity 70 kg</b>					
450	551.26.754	551.26.354	551.26.554	551.26.954	551.26.054
500	551.26.755	551.26.355	551.26.555	551.26.955	551.26.055
550	551.26.756	551.26.356	551.26.556	551.26.956	551.26.056
600	551.26.757	551.26.357	551.26.557	551.26.957	–

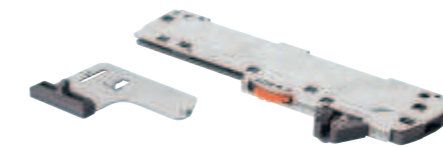
Packing: 1 set

**Order reference**

The front fixing brackets (D) for the drawer as well as the Tip-On Blumotion unit and follower (G) are not supplied and must be ordered separately.

Side stabilisation set	► MB 9.101
Tip-On Blumotion front gap jig	► MB 9.102
Front fixing bracket, height K (D)	► MB 9.89 A
Front fixing bracket, height K (D), for thin front panels	► MB 9.100 A

**Tip-On Blumotion Unit and follower (G)**



- > Suitable for: Blum Legrabox pure/free drawer side runner system, Blum Movento drawer runners
- > Material: Plastic
- > Colour: Grey

**Supplied with**

- 2 Tip-On Blumotion units (left/right)
- 2 Tip-On Blumotion followers (left/right)
- 2 Tip-On Blumotion synchronising adapters

**Technical data**

Model	For nominal length (mm)		Load bearing capacity* (kg)	
	Legrabox	Movento	Legrabox	Movento
T60L7040	270–300	270–320	Up to 10	Up to 10
T60L7140			10 to 20	10 to 20
T60L7340	350–650	350–750	Up to 20	Up to 20
T60L7540			15 to 40	15 to 40
T60L7570			35 to 70	35 to 60

\* Recommended load bearing capacity (total weight of pull out including load) for optimum opening and closing function

**Order reference**

When using the Tip-On Blumotion unit and follower, it is generally recommended to use the Tip-On Blumotion synchronisation rod.

Model	Cat. No.
T60L7140	550.61.040
T60L7140	550.61.041
T60L7340	550.61.042
T60L7540	550.61.043
T60L7570	550.61.044

Packing: 1 set

Tip-On Blumotion synchronisation rod, for standard drawers	► MB 9.101
Tip-On Blumotion synchronisation rod, for narrow drawers	► MB 9.101



With Tip-On cabinet rail

- > Type of pull out: Full extension with integrated Tip-On automatic opening mechanism
- > Functionality: Gently tapping the handle-free front panel suffices to open the drawer when using this cabinet rail

**Note**  
We recommend using the Tip-On synchro unit from a cabinet width of 600 mm and above. Please use the side stabilisation set from a cabinet width of 900 mm and above.

Nom. length mm	Steel				Stainless steel
	silk white	terra black	Orion grey	polar silver	
<b>Load bearing capacity 40 kg</b>					
300	550.72.741	550.72.341	550.72.541	550.72.941	–
350	550.72.742	550.72.342	550.72.542	550.72.942	550.72.042
400	550.72.743	550.72.343	550.72.543	550.72.943	550.72.043
450	550.72.744	550.72.344	550.72.544	550.72.944	550.72.044
500	550.72.745	550.72.345	550.72.545	550.72.945	550.72.045
550	550.72.746	550.72.346	550.72.546	550.72.946	550.72.046
600	550.72.747	550.72.347	550.72.547	550.72.947	–
<b>Load bearing capacity 70 kg</b>					
450	550.72.754	550.72.354	550.72.554	550.72.954	550.72.054
500	550.72.755	550.72.355	550.72.555	550.72.955	550.72.055
550	550.72.756	550.72.356	550.72.556	550.72.956	550.72.056
600	550.72.757	550.72.357	550.72.557	550.72.957	–

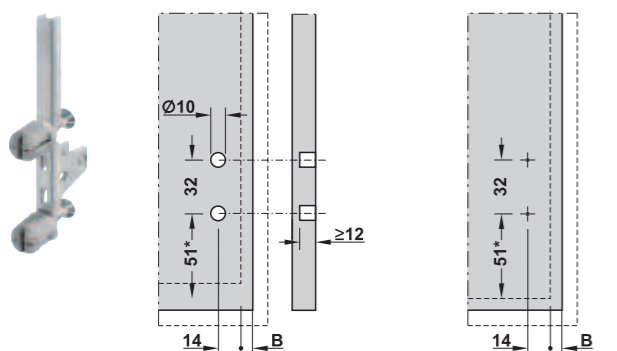
Packing: 1 set

Order reference

Front fixing brackets (D) for drawer not supplied, please order separately.

Tip-On synchro unit	► MB 9.101
Side stabilisation set	► MB 9.101

→ Front fixing bracket, height K (D)



With Expando spreading dowel

For screw fixing

B = panel overlay  
\* + 1 mm where a base panel is installed beneath the cabinet rail

Material	Installation	Model	Cat. No.
Steel	With Expando spreading dowel	ZF7K70E2	550.75.074
	For screw fixing	ZF7K7002	550.75.071

Packing: 1 or 100 pieces

Order reference

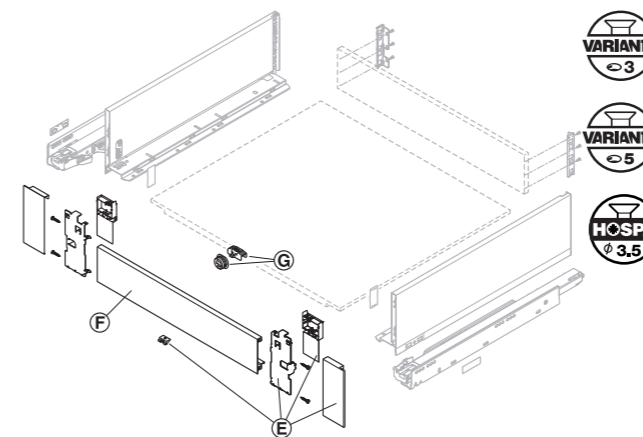
2 front fixing brackets are required for 1 drawer.

Front fixing bracket, height K (D), for thin front panels ► MB 9.100 A

DGH-M 2017, HDE-en, 01/17; Dimensional data not binding. We reserve the right to alter specifications without notice.

Internal drawer

Drawer side height 128 mm, system height K



Installation

The complete internal drawer with drawer side height 128 mm consists of front bracket set, front component, follower and drawer with drawer side height 128 mm. Specifications for internal installation height and installation dimensions of the rear panel are identical to the drawer with drawer side height 128 mm.

→ Front bracket set for internal drawer (E)



> Material: Front brackets and cover caps: Steel, support: Plastic

Supplied with

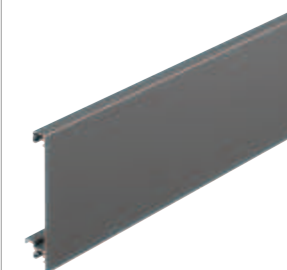
- 2 front brackets (left/right)
- 2 cover caps outside (left/right)
- 2 cover caps inside (left/right)
- 1 support for drawer front panel

Model	Colour	Cat. No.
Z17.0KS0	Silk white	550.76.705
	Terra black	550.76.305
	Orion grey	550.76.505
	Polar silver	550.76.905
Z17.0KI0	Grey (matching stainless steel)	550.76.005

Packing: 1 set

DGH-M 2017, HDE-en, 01/17; Dimensional data not binding. We reserve the right to alter specifications without notice.

→ Front component for internal drawer (F)



- > Material: Aluminium
- > For cabinet width: Max. 1,200 mm (16 mm side panel thickness)
- > Length: 1,043 mm
- > Installation: For cutting to size: Internal cabinet width – 126 mm for plug fitting into front bracket

Model	Colour	Cat. No.
ZV7.1043C01	Silk white	550.74.728
	Terra black	550.74.328
	Orion grey	550.74.528
	Polar silver	550.74.928
	Nickel coloured anodized	550.74.028

Packing: 1 piece

→ Follower set for internal drawer (G)



- > Area of application: For extending the pull out for door front fixing and internal drawer simultaneously
- > Material: Plastic
- > Installation: Follower is clipped onto the front component of the internal drawer, follower housing is mounted in drilled hole in inner side of front panel.

Supplied with

- 1 follower
- 1 follower housing

Model	Colour	Cat. No.
Z17.0M07	Silk white	550.74.790
	Terra black	550.74.390
	Orion grey	550.74.590
	Polar silver	550.74.990

Packing: 1 set

Drawer, system height K ► MB 9.88

Ambia-Line compartment system ► MB 9.172



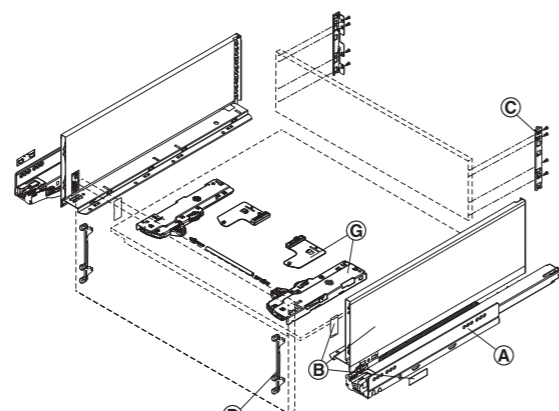
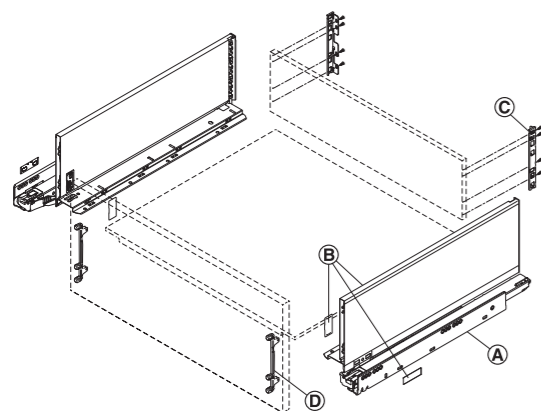
**Pull out for door front fixing**

Drawer side height 177 mm, system height C



→ **Set for pull out for door front fixing**

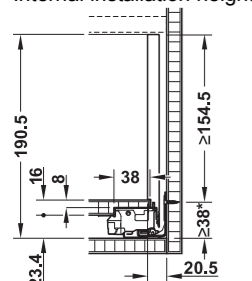
Drawer side height 177 mm, system height C



Drawer with Blumotion S cabinet rail (integrated soft closing mechanism) or with Tip-On cabinet rail (integrated automatic opening mechanism)

Drawer with Blumotion S cabinet rail and Tip-On Blumotion unit and follower (integrated soft closing mechanism and Tip-On automatic opening mechanism)

**Internal installation height**



\* + 1 mm where a base panel is installed beneath the cabinet rail

**Installation dimensions**

Min. internal installation depth = nominal length + 3 mm

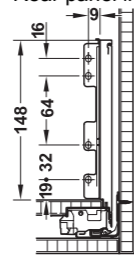
**Supplied with**

- 1 pair of cabinet rails (A)
- 1 pair of drawer sides including 4 cover caps (B)
- 1 rear panel fitting set (left/right) (C)

**Order reference**

The front fixing brackets (D) for the drawer as well as the Tip-On Blumotion unit and follower (G) are not supplied and must be ordered separately.

**Rear panel installation dimensions**



Internal cabinet width – 38 mm = rear panel width

**With Blumotion S cabinet rail**

- > Type of pull out: Full extension with integrated Blumotion soft closing mechanism
- > Functionality:
  - With Blumotion soft closing mechanism**  
The Blumotion soft closing mechanism integrated in the cabinet rail provides gentle and silent closing of the drawer.
  - With Blumotion soft closing mechanism and Tip-On automatic opening mechanism**  
In addition to the integrated Blumotion soft closing mechanism, the optional Tip-On Blumotion unit and follower allow (G) opening of the drawer by simply tapping the front panel.

**Note**

Please use the side stabilisation set from a cabinet width of 900 mm and above.

Nom. length mm	Steel				Stainless steel
	silk white	terra black	Orion grey	polar silver	
<b>Load bearing capacity 40 kg</b>					
270	551.27.700	551.27.300	551.27.500	551.27.900	551.27.000
300	551.27.701	551.27.301	551.27.501	551.27.901	551.27.001
350	551.27.702	551.27.302	551.27.502	551.27.902	551.27.002
400	551.27.703	551.27.303	551.27.503	551.27.903	551.27.003
450	551.27.704	551.27.304	551.27.504	551.27.904	551.27.004
500	551.27.705	551.27.305	551.27.505	551.27.905	551.27.005
550	551.27.706	551.27.306	551.27.506	551.27.906	551.27.006
600	551.27.707	551.27.307	551.27.507	551.27.907	551.27.007
<b>Load bearing capacity 70 kg</b>					
450	551.27.714	551.27.314	551.27.514	551.27.914	551.27.014
500	551.27.715	551.27.315	551.27.515	551.27.915	551.27.015
550	551.27.716	551.27.316	551.27.516	551.27.916	551.27.016
600	551.27.717	551.27.317	551.27.517	551.27.917	551.27.017
650	551.27.718	551.27.318	551.27.518	551.27.918	551.27.018

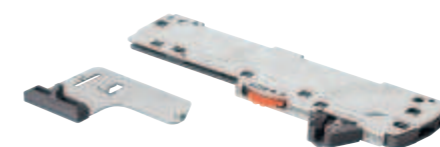
Packing: 1 set

**Order reference**

The front fixing brackets (D) for the drawer as well as the Tip-On Blumotion unit and follower (G) are not supplied and must be ordered separately.

Side stabilisation set	► MB 9.101
Tip-On Blumotion front gap jig	► MB 9.101
Front fixing bracket, height C (D)	► MB 9.91 A
Front fixing bracket, height C (D), for thin front panels	► MB 9.100 B

**Tip-On Blumotion Unit and follower (G)**



- > Suitable for: Blum Legrabox pure/free drawer side runner system, Blum Movento drawer runners
- > Material: Plastic
- > Colour: Grey

**Supplied with**

- 2 Tip-On Blumotion units (left/right)
- 2 Tip-On Blumotion followers (left/right)
- 2 Tip-On Blumotion synchronising adapters

**Technical data**

Model	For nominal length (mm)		Load bearing capacity* (kg)	
	Legrabox	Movento	Legrabox	Movento
T60L7040	270–300	270–320	Up to 10	Up to 10
T60L7140			10 to 20	10 to 20
T60L7340	350–650	350–750	Up to 20	Up to 20
T60L7540			15 to 40	15 to 40
T60L7570			35 to 70	35 to 60

\* Recommended load bearing capacity (total weight of pull out including load) for optimum opening and closing function

**Order reference**

When using the Tip-On Blumotion unit and follower, it is generally recommended to use the Tip-On Blumotion synchronisation rod.

Model	Cat. No.
T60L7140	550.61.040
T60L7140	550.61.041
T60L7340	550.61.042
T60L7540	550.61.043
T60L7570	550.61.044

Packing: 1 set

Tip-On Blumotion synchronisation rod, for standard drawers	► MB 9.101
Tip-On Blumotion synchronisation rod, for narrow drawers	► MB 9.101

DGH-M 2017, HDE-en, 01/17; Dimensional data not binding. We reserve the right to alter specifications without notice.

DGH-M 2017, HDE-en, 01/17; Dimensional data not binding. We reserve the right to alter specifications without notice.

With Tip-On cabinet rail

- > Type of pull out: Full extension with integrated Tip-On automatic opening mechanism
- > Functionality: Gently tapping the handle-free front panel suffices to open the drawer when using this cabinet rail

Note

We recommend using the Tip-On synchro unit from a cabinet width of 600 mm and above. Please use the side stabilisation set from a cabinet width of 900 mm and above.

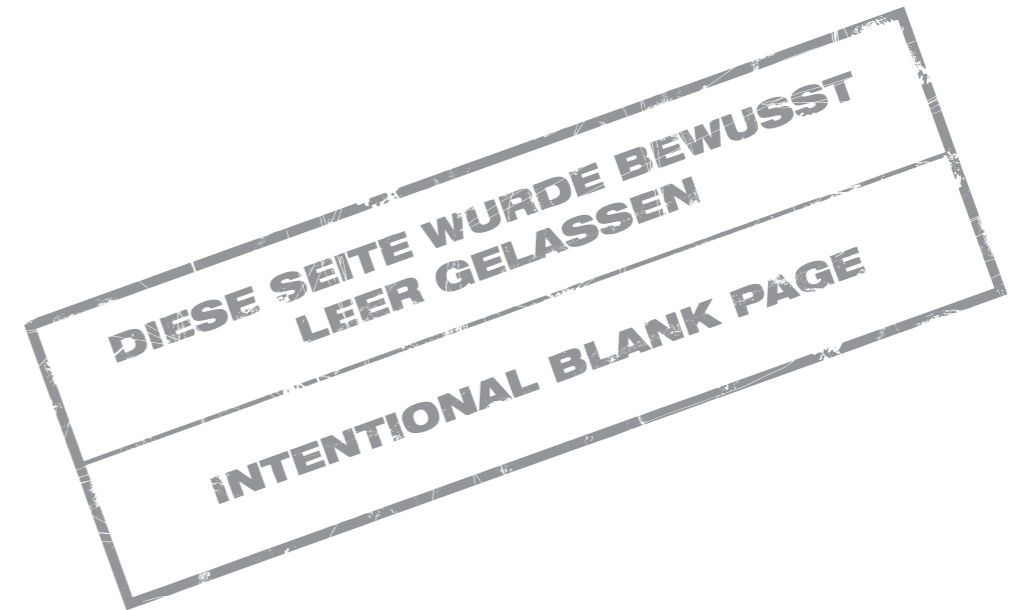
Nom. length mm	Steel				Stainless steel
	silk white	terra black	Orion grey	polar silver	
<b>Load bearing capacity 40 kg</b>					
270	550.73.700	550.73.300	550.73.500	550.73.900	550.73.000
300	550.73.701	550.73.301	550.73.501	550.73.901	550.73.001
350	550.73.702	550.73.302	550.73.502	550.73.902	550.73.002
400	550.73.703	550.73.303	550.73.503	550.73.903	550.73.003
450	550.73.704	550.73.304	550.73.504	550.73.904	550.73.004
500	550.73.705	550.73.305	550.73.505	550.73.905	550.73.005
550	550.73.706	550.73.306	550.73.506	550.73.906	550.73.006
600	550.73.707	550.73.307	550.73.507	550.73.907	550.73.007
<b>Load bearing capacity 70 kg</b>					
450	550.73.714	550.73.314	550.73.514	550.73.914	550.73.014
500	550.73.715	550.73.315	550.73.515	550.73.915	550.73.015
550	550.73.716	550.73.316	550.73.516	550.73.916	550.73.016
600	550.73.717	550.73.317	550.73.517	550.73.917	550.73.017
650	550.73.718	550.73.318	550.73.518	550.73.918	550.73.018

Packing: 1 set

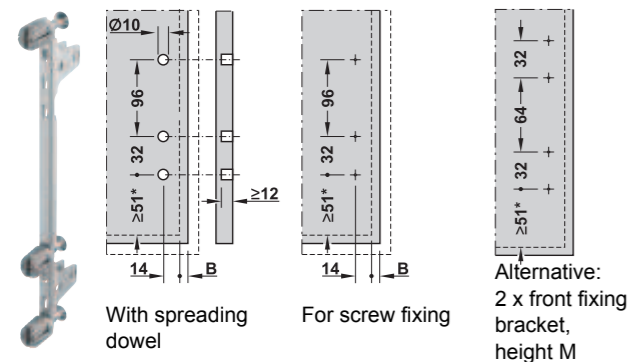
Order reference

Front fixing brackets **Ⓧ** for drawer not supplied, please order separately.

Tip-On synchro unit	► MB 9.101
Side stabilisation set	► MB 9.101



→ Front fixing bracket, height C **Ⓧ**



B = panel overlay  
\* + 1 mm where a base panel is installed beneath the cabinet rail

Material	Installation	Model	Cat. No.
Steel	With Expando spreading dowel	ZF7C70E2	550.75.084
	For screw fixing	ZF7C7002	550.75.081

Packing: 1 or 100 pieces

Order reference

2 front fixing brackets are required for 1 pull out for door front fixing.

Front fixing bracket, height C **Ⓧ**, for thin front panels ► MB 9.100 B

DGH-M 2017, HDE-en, 01/17; Dimensional data not binding. We reserve the right to alter specifications without notice.

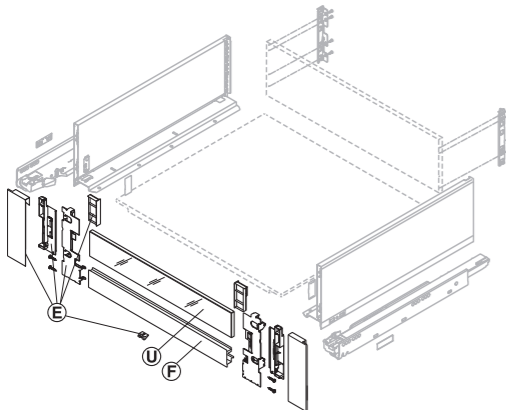


Internal pull out with low or high insert element

Drawer side height 177 mm, system height C



Internal pull out with low insert element

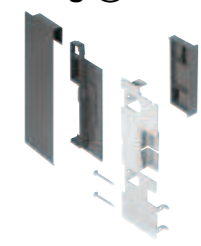


Installation

The complete internal pull out with drawer side height 177 mm with insert element consists of front bracket set, front component, high or low insert element and pull out for door front fixing with drawer side height 177 mm.

Specifications for internal installation height and installation dimensions of the rear panel are identical to the pull out for door front fixing with drawer side height 177 mm.

→ Front bracket set for pull out for door front fixing (E)



> Material: Front brackets and cover caps outside: Steel/stainless steel, cover caps inside, compensating piece and support: Plastic

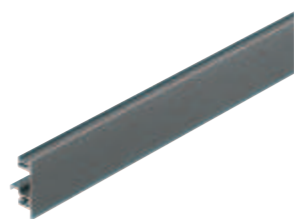
Supplied with

- 2 front brackets (left/right)
- 2 cover caps outside (left/right)
- 2 cover caps inside (left/right)
- 2 compensating pieces for low insert element
- 1 support for drawer front panel with screws

Model	Colour	Cat. No.
ZI7.2CS0	Silk white	550.76.710
	Terra black	550.76.310
	Orion grey	550.76.510
	Polar silver	550.76.910
ZI7.2CI0	Grey (matching stainless steel)	550.76.010

Packing: 1 set

→ Front component for pull out for door front fixing (F)



> Material: Aluminium  
> For cabinet width: Max. 1,200 mm (16 mm side panel thickness)  
> Length: 1,043 mm  
> Installation: For cutting to size: Internal cabinet width – 126 mm, for plug fitting into front bracket

Model	Colour	Cat. No.
ZV7.1043MN1	Silk white	550.74.718
	Terra black	550.74.318
	Orion grey	550.74.518
	Polar silver	550.74.918
	Nickel coloured anodized	550.74.018

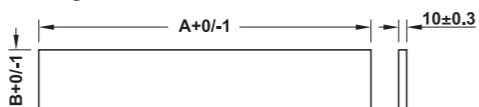
Packing: 1 piece

→ Glass insert element (front) (U)



> Material: Flint glass  
> Finish: Clear

Cutting dimensions for self-manufactured insert elements



Length A = internal cabinet width – 80 mm (for side panel thickness 18/19 mm)  
Height B = 70 mm low insert element, 138 mm high insert element

Note

The supplied compensating piece must be installed when using the low insert element.

Model	For cabinet width mm	Cat. No.
<b>Low insert element (70 mm)</b>		
ZE7V332G	450	550.74.432
ZE7V482G	600	550.74.434
ZE7V782G	900	550.74.436
ZE7V1082G	1200	550.74.438
<b>High insert element (138 mm)</b>		
ZE7W332G	450	550.74.442
ZE7W482G	600	550.74.444
ZE7W782G	900	550.74.446
ZE7W1082G	1200	550.74.448

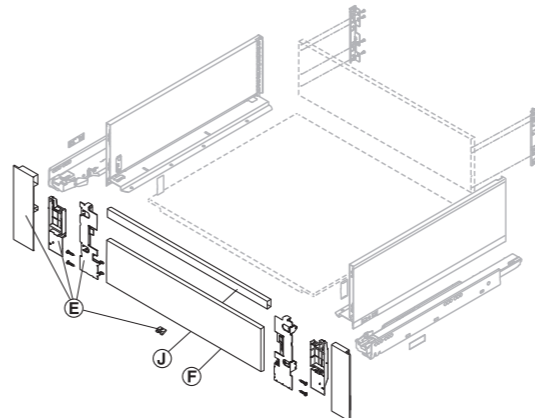
Packing: 1 piece

Pull out for door front fixing set, system height C ▶ MB 9.90

Ambia-Line compartment system ▶ MB 9.172

Internal pull out with railing

Drawer side height 177 mm, system height C



Installation

The complete internal pull out with drawer side height 177 mm and railing consists of front bracket set, front component, railing and pull out for door front fixing with drawer side height 177 mm. Specifications for internal installation height and installation dimensions of the rear panel are identical to the pull out for door front fixing with drawer side height 177 mm.

→ Front bracket set for pull out for door front fixing (E)



> Material: Front brackets and cover caps outside: Steel/stainless steel, cover caps inside and support: Plastic

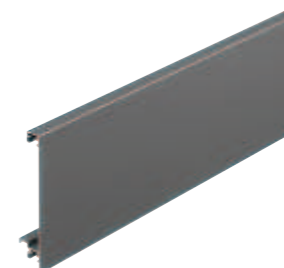
Supplied with

- 2 front brackets (left/right)
- 2 cover caps outside (left/right)
- 2 cover caps inside (left/right)
- 1 support for drawer front panel with screws

Model	Colour	Cat. No.
ZI7.3CS0	Silk white	550.76.720
	Terra black	550.76.320
	Orion grey	550.76.520
	Polar silver	550.76.920
ZI7.3CI0	Grey (matching stainless steel)	550.76.020

Packing: 1 set

→ Front component for pull out for door front fixing (F)

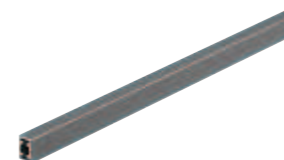


> Material: Aluminium  
> For cabinet width: Max. 1,200 mm (16 mm side panel thickness)  
> Length: 1,043 mm  
> Installation: For cutting to size: Internal cabinet width – 126 mm, for plug fitting into front bracket

Model	Colour	Cat. No.
ZV7.1043C01	Silk white	550.74.728
	Terra black	550.74.328
	Orion grey	550.74.528
	Polar silver	550.74.928
	Nickel coloured anodized	550.74.028

Packing: 1 piece

→ Railing (J)



> Material: Aluminium  
> For cabinet width: Max. 1,200 mm (16 mm side panel thickness)  
> Length: 1,080 mm  
> Installation: For cutting to size: Internal cabinet width – 90 mm, for plug fitting into front bracket

Model	Colour	Cat. No.
ZR7.1080U	Matt silk white	550.74.708
	Matt terra black	550.74.308
	Matt Orion grey	550.74.508
	Matt polar silver	550.74.908
	Nickel coloured anodized	550.74.008

Packing: 1 piece

Pull out for door front fixing set, system height C ▶ MB 9.90

Ambia-Line compartment system ▶ MB 9.172



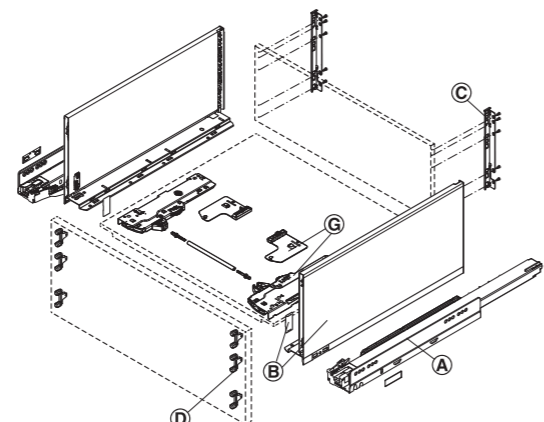
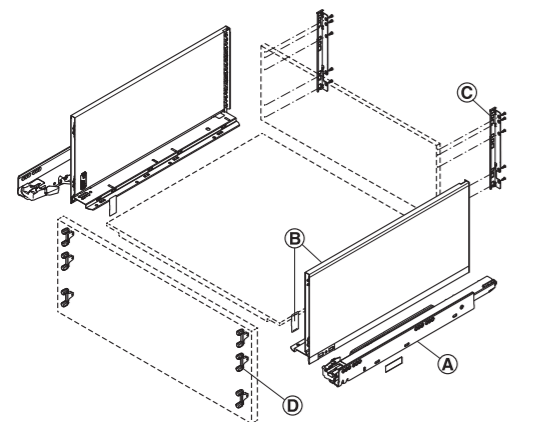
**Pull out for door front fixing**

Drawer side height 240 mm, system height F



→ **Set for pull out for door front fixing**

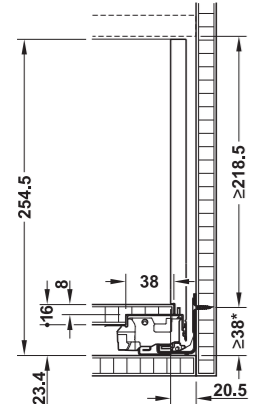
Drawer side height 240 mm, system height F



Drawer with Blumotion S cabinet rail (integrated soft closing mechanism) or with Tip-On cabinet rail (integrated automatic opening mechanism)

Drawer with Blumotion S cabinet rail and Tip-On Blumotion unit and follower G (integrated soft closing mechanism and Tip-On automatic opening mechanism)

Internal installation height



\* + 1 mm where a base panel is installed beneath the cabinet rail

**Installation dimensions**

Min. internal installation depth = nominal length + 3 mm

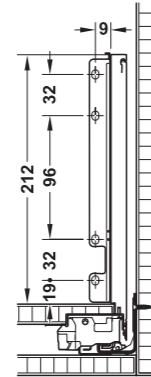
**Supplied with**

- 1 pair of cabinet rails A
- 1 pair of drawer sides including 4 cover caps B
- 1 rear panel fitting set (left/right) C

**Order reference**

The front fixing brackets D for the drawer as well as the Tip-On Blumotion unit and follower G are not supplied and must be ordered separately.

Rear panel installation dimensions



Internal cabinet width – 38 mm = rear panel width

**With Blumotion S cabinet rail**

- > Type of pull out: Full extension with integrated Blumotion soft closing mechanism
- > Functionality: **With Blumotion soft closing mechanism**  
The Blumotion soft closing mechanism integrated in the cabinet rail provides gentle and silent closing of the drawer.  
**With Blumotion soft closing mechanism and Tip-On automatic opening mechanism**  
In addition to the integrated Blumotion soft closing mechanism, the optional Tip-On Blumotion unit and follower allow G opening of the drawer by simply tapping the front panel.

**Note**

Please use the side stabilisation set from a cabinet width of 900 mm and above.

Nom. length mm	Steel				Stainless steel
	silk white	terra black	Orion grey	polar silver	
<b>Load bearing capacity 40 kg</b>					
400	551.27.723	551.27.323	551.27.523	551.27.923	551.27.023
450	551.27.724	551.27.324	551.27.524	551.27.924	551.27.024
500	551.27.725	551.27.325	551.27.525	551.27.925	551.27.025
550	551.27.726	551.27.326	551.27.526	551.27.926	551.27.026
600	551.27.727	551.27.327	551.27.527	551.27.927	551.27.027
<b>Load bearing capacity 70 kg</b>					
450	551.27.734	551.27.334	551.27.534	551.27.934	551.27.034
500	551.27.735	551.27.335	551.27.535	551.27.935	551.27.035
550	551.27.736	551.27.336	551.27.536	551.27.936	551.27.036
600	551.27.737	551.27.337	551.27.537	551.27.937	551.27.037
650	551.27.738	551.27.338	551.27.538	551.27.938	551.27.038

Packing: 1 set

**Order reference**

The front fixing brackets D for the drawer as well as the Tip-On Blumotion unit and follower G are not supplied and must be ordered separately.

Side stabilisation set	► MB 9.101
Tip-On Blumotion front gap jig	► MB 9.101
Front fixing bracket, height F D	► MB 9.95 A
Front fixing bracket, height F D, for thin front panels	► MB 9.100 B

**Tip-On Blumotion Unit and follower G**



- > Suitable for: Blum Legrabox pure/free drawer side runner system, Blum Movento drawer runners
- > Material: Plastic
- > Colour: Grey

**Supplied with**

- 2 Tip-On Blumotion units (left/right)
- 2 Tip-On Blumotion followers (left/right)
- 2 Tip-On Blumotion synchronising adapters

**Technical data**

Model	For nominal length (mm)		Load bearing capacity* (kg)	
	Legrabox	Movento	Legrabox	Movento
T60L7040	270–300	270–320	Up to 10	Up to 10
T60L7140			10 to 20	10 to 20
T60L7340	350–650	350–750	Up to 20	Up to 20
T60L7540			15 to 40	15 to 40
T60L7570			35 to 70	35 to 60

\* Recommended load bearing capacity (total weight of pull out including load) for optimum opening and closing function

**Order reference**

When using the Tip-On Blumotion unit and follower, it is generally recommended to use the Tip-On Blumotion synchronisation rod.

Model	Cat. No.
T60L7140	550.61.040
T60L7140	550.61.041
T60L7340	550.61.042
T60L7540	550.61.043
T60L7570	550.61.044

Packing: 1 set

Tip-On Blumotion synchronisation rod, for standard drawers	► MB 9.101
Tip-On Blumotion synchronisation rod, for narrow drawers	► MB 9.101

DGH-M 2017, HDE-en, 01/17; Dimensional data not binding. We reserve the right to alter specifications without notice.

DGH-M 2017, HDE-en, 01/17; Dimensional data not binding. We reserve the right to alter specifications without notice.

With Tip-On cabinet rail

- > Type of pull out: Full extension with integrated Tip-On automatic opening mechanism
- > Functionality: Gently tapping the handle-free front panel suffices to open the drawer when using this cabinet rail

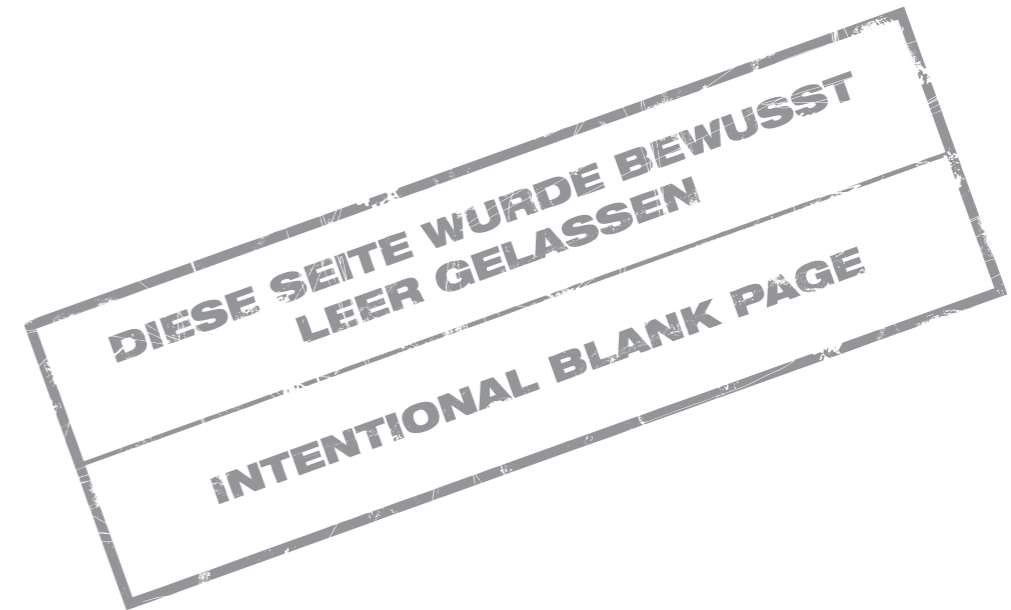
**Note**  
We recommend using the Tip-On synchro unit from a cabinet width of 600 mm and above. Please use the side stabilisation set from a cabinet width of 900 mm and above.

Nom. length mm	Steel				Stainless steel
	silk white	terra black	Orion grey	polar silver	
<b>Load bearing capacity 40 kg</b>					
400	550.73.723	550.73.323	550.73.523	550.73.923	550.73.023
450	550.73.724	550.73.324	550.73.524	550.73.924	550.73.024
500	550.73.725	550.73.325	550.73.525	550.73.925	550.73.025
550	550.73.726	550.73.326	550.73.526	550.73.926	550.73.026
600	550.73.727	550.73.327	550.73.527	550.73.927	550.73.027
<b>Load bearing capacity 70 kg</b>					
450	550.73.734	550.73.334	550.73.534	550.73.934	550.73.034
500	550.73.735	550.73.335	550.73.535	550.73.935	550.73.035
550	550.73.736	550.73.336	550.73.536	550.73.936	550.73.036
600	550.73.737	550.73.337	550.73.537	550.73.937	550.73.037
650	550.73.738	550.73.338	550.73.538	550.73.938	550.73.038

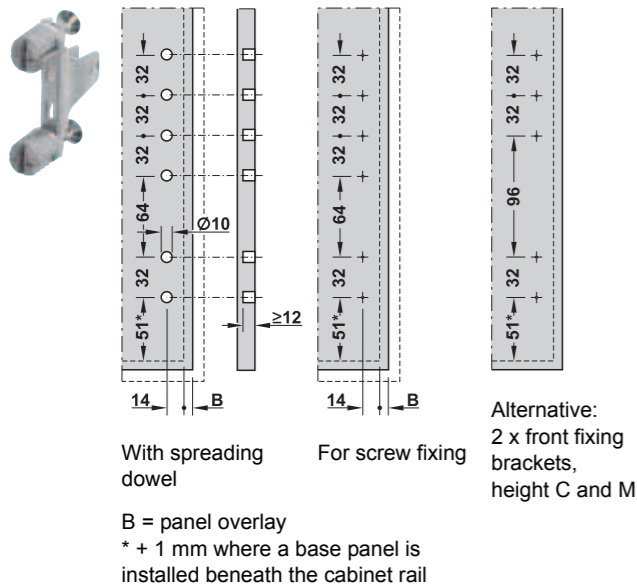
Packing: 1 set

**Order reference**  
Front fixing brackets  $\text{\textcircled{D}}$  for drawer not supplied, please order separately.

Tip-On synchro unit	► MB 9.101
Side stabilisation set	► MB 9.101



→ Front fixing bracket, height F  $\text{\textcircled{D}}$



Material	Installation	Model	Cat. No.
Steel	With Expando spreading dowel	ZF7M70E2	550.75.064
	For screw fixing	ZF7M7002	550.75.061

Packing: 1 or 100 pieces

**Order reference**  
6 front fixing brackets height M are required for 1 pull out for door front fixing.  
Alternative: 2 front fixing brackets each of height C and M.

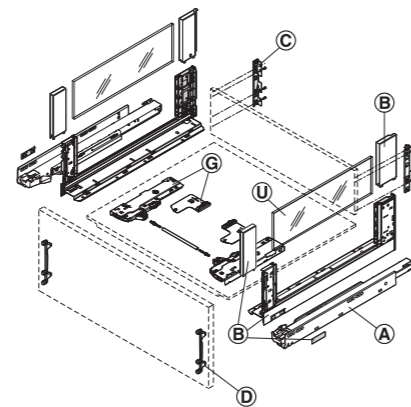
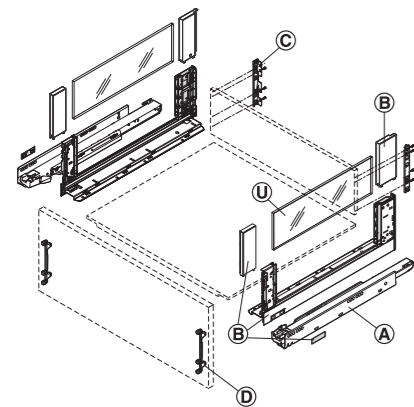
Front fixing bracket, height M $\text{\textcircled{D}}$ , for thin front panels	► MB 9.100 A
Front fixing bracket, height C/height F $\text{\textcircled{D}}$ , for thin front panels	► MB 9.100 B

DGH-M 2017, HDE-en, 01/17; Dimensional data not binding. We reserve the right to alter specifications without notice.



Pull out for door front fixing

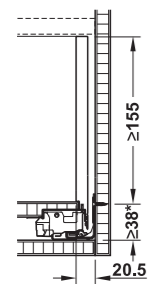
Drawer side height 177 mm, system height C



- Ⓐ Cabinet rail (Blumotion S or Blumotion Tip-On)
- Ⓑ Drawer sides set with 4 cover caps
- Ⓒ Wooden rear panel fitting (left/right)
- Ⓓ Front fixing bracket, height C
- Ⓤ Glass insert element (side)

- Ⓐ Cabinet rail (Blumotion S)
- Ⓑ Drawer sides set with 4 cover caps
- Ⓒ Wooden rear panel fitting (left/right)
- Ⓓ Front fixing bracket, height C
- Ⓤ Glass insert element (side)
- Ⓒ Tip-On Blumotion unit and follower

Internal installation height

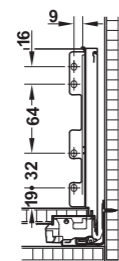


\* + 1 mm where a base panel is installed beneath the cabinet rail

Installation dimensions

Min. internal installation depth = nominal length + 3 mm

Rear panel installation dimensions



Internal cabinet width – 38 mm = rear panel width



DGH-M 2017, HDE-en, 01/17; Dimensional data not binding. We reserve the right to alter specifications without notice.

→ Cabinet rails Ⓐ  
Blumotion S



- > Type of pull out: Full extension with integrated Blumotion soft closing mechanism
- > Functionality: **With Blumotion soft closing mechanism**  
The Blumotion soft closing mechanism integrated in the cabinet rail provides gentle and silent closing of the drawer.  
**With Blumotion soft closing mechanism and Tip-On automatic opening mechanism**  
In addition to the integrated Blumotion soft closing mechanism, the optional Tip-On Blumotion unit and follower allow Ⓒ opening of the drawer by simply tapping the front panel.

Note

We recommend using the side stabilisation set from a cabinet width of 900 mm and above.

Nom. length mm	Model	Cat. No.
<b>Load bearing capacity 40 kg</b>		
350	750.3501S	550.64.535
400	750.4001S	550.64.540
450	750.4501S	550.64.545
500	750.5001S	550.64.550
550	750.5501S	550.64.555
600	750.6001S	550.64.560
<b>Load bearing capacity 70 kg</b>		
450	753.4501S	550.65.545
500	753.5001S	550.65.550
550	753.5501S	550.65.555
600	753.6001S	550.65.560
650	753.6501S	550.65.565

Packing: 1 or 6 sets

Order reference

Tip-On Blumotion unit and follower Ⓒ not supplied, please order separately.

Side stabilisation set	► MB 9.101
Tip-On Blumotion front gap jig	► MB 9.102
Cutting dimensions for base panel and rear panel, front component and railing	► MB 9.74

Tip-On Blumotion Unit and follower Ⓒ



- > Suitable for: Blum Legrabox pure/free drawer side runner system, Blum Movento drawer runners
- > Material: Plastic
- > Colour: Grey

Supplied with

- 2 Tip-On Blumotion units (left/right)
- 2 Tip-On Blumotion followers (left/right)
- 2 Tip-On Blumotion synchronising adapters

Technical data

Model	For nominal length (mm)		Load bearing capacity* (kg)	
	Legrabox	Movento	Legrabox	Movento
T60L7040	270–300	270–320	Up to 10	Up to 10
T60L7140			10 to 20	10 to 20
T60L7340	350–650	350–750	Up to 20	Up to 20
T60L7540			15 to 40	15 to 40
T60L7570			35 to 70	35 to 60

\* Recommended load bearing capacity (total weight of pull out including load) for optimum opening and closing function

Order reference

When using the Tip-On Blumotion unit and follower, it is generally recommended to use the Tip-On Blumotion synchronisation rod.

Model	Cat. No.
T60L7140	550.61.040
T60L7140	550.61.041
T60L7340	550.61.042
T60L7540	550.61.043
T60L7570	550.61.044

Packing: 1 set

Tip-On Blumotion synchronisation rod, for standard drawers	► MB 9.101
Tip-On Blumotion synchronisation rod, for narrow drawers	► MB 9.101

DGH-M 2017, HDE-en, 01/17; Dimensional data not binding. We reserve the right to alter specifications without notice.



9

Drawer and Pull Out for Door Front Fixing

Drawer and Pull Out for Door Front Fixing

9

→ Cabinet rails (A)  
Tip-On



- > Type of pull out: Full extension with integrated Tip-On automatic opening mechanism
- > Functionality: Gently tapping the handle-free front panel suffices to open the drawer when using this cabinet rail

**Note**  
We recommend using the Tip-On synchronising set from a cabinet width of 600 mm and above. Please use the side stabilisation set from a cabinet width of 900 mm and above.

Nom. length mm	Model	Packing pairs	Cat. No.
<b>Load bearing capacity 40 kg</b>			
350	750.3501T	1 or 6	550.64.935
400	750.4001T	1 or 6	550.64.940
450	750.4501T	1 or 6	550.64.945
500	750.5001T	1 or 6	550.64.950
550	750.5501T	1 or 6	550.64.955
600	750.6001T	1 or 6	550.64.960
<b>Load bearing capacity 70 kg</b>			
450	753.4501T	1 or 6	550.65.945
500	753.5001T	1 or 6	550.65.950
550	753.5501T	1 or 6	550.65.955
600	753.6001T	1 or 6	550.65.960
650	753.6501T	1	550.65.965

- Additional set for synchronising Tip-On cabinet rails ▶ MB 9.101
- Side stabilisation set ▶ MB 9.101
- Cutting dimensions for base panel and rear panel, front component and railing ▶ MB 9.74

→ Drawer side set (B)



Nom. length mm	Steel				Stainless steel
	silk white	terra black	Orion grey	polar silver	
350	550.68.722	550.68.322	550.68.522	550.68.922	550.68.022
400	550.68.723	550.68.323	550.68.523	550.68.923	550.68.023
450	550.68.724	550.68.324	550.68.524	550.68.924	550.68.024
500	550.68.725	550.68.325	550.68.525	550.68.925	550.68.025
550	550.68.726	550.68.326	550.68.526	550.68.926	550.68.026
600	550.68.727	550.68.327	550.68.527	550.68.927	550.68.027
650	550.68.728	550.68.328	550.68.528	550.68.928	550.68.028

Packing: 1 pair

→ Wooden rear panel fitting (C)

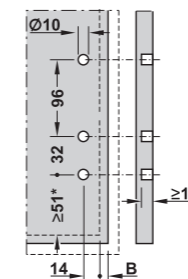


> Material: Steel

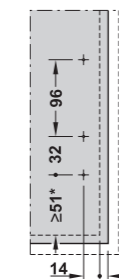
Version	Silk white	Terra black	Orion grey	Polar silver	Polished nickel plated
Right	550.75.731	550.75.331	550.75.531	550.75.931	550.75.631
Left	550.75.732	550.75.332	550.75.532	550.75.932	550.75.632

Packing: 1 or 48 pieces

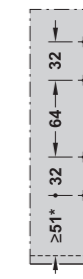
→ Front fixing bracket, height C (D)



With spreading dowel  
B = front panel overlay



For screw fixing



Alternative:  
2 x front fixing bracket, height M

\* + 1 mm where a base panel is installed beneath the cabinet rail

Material	Installation	Model	Cat. No.
Steel	With Expando spreading dowel	ZF7C70E2	550.75.084
	For screw fixing	ZF7C7002	550.75.081

Packing: 1 or 100 pieces

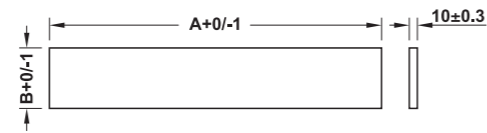
**Order reference**  
2 front fixing brackets are required for 1 pull out for door front fixing.



→ Glass insert element (side) 



Cutting dimensions for self-manufactured insert elements

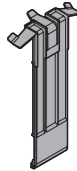


Length A = nominal length – 112 mm  
Height B = 138 mm

Nom. length mm	Model	Cat. No.
350	ZE7S238G	550.77.402
400	ZE7S288G	550.77.403
450	ZE7S338G	550.77.404
500	ZE7S388G	550.77.405
550	ZE7S438G	550.77.406
600	ZE7S488G	550.77.407
650	ZE7S538G	550.77.408

Packing: 1 pair

Retainers for securing glass insert elements (side) during transport



- > Area of application: For the transport with pre-mounted insert elements (side)
- > Material: Plastic
- > Colour: Yellow

	Cat. No.
Retainers for securing during transport	550.77.699

Packing: 1 piece

Order reference

2 retainers are required for securing 1 pull out for door front fixing during transport.

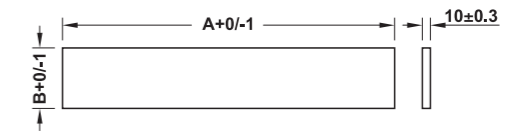
- Tip-On Blumotion synchro unit, side stabilisation set ▶ MB 9.101
- Cutting dimensions for base panel and rear panel, front component and railing ▶ MB 9.74

DGH-M 2017, HDE-en, 01/17; Dimensional data not binding. We reserve the right to alter specifications without notice.

→ Glass insert element (side) 



Cutting dimensions for self-manufactured insert elements



Length A = nominal length – 112 mm  
Height B = 138 mm

Nom. length mm	Model	Cat. No.
350	ZE7S238G	550.77.402
400	ZE7S288G	550.77.403
450	ZE7S338G	550.77.404
500	ZE7S388G	550.77.405
550	ZE7S438G	550.77.406
600	ZE7S488G	550.77.407
650	ZE7S538G	550.77.408

Packing: 1 pair

Retainers for securing glass insert elements (side) during transport



- > Area of application: For the transport with pre-mounted insert elements (side)
- > Material: Plastic
- > Colour: Yellow

	Cat. No.
Retainers for securing during transport	550.77.699

Packing: 1 piece

Order reference

2 retainers are required for securing 1 pull out for door front fixing during transport.

- Tip-On Blumotion Synchro unit, side stabilisation set ▶ MB 9.101
- Cutting dimensions for base panel and rear panel, front component and railing ▶ MB 9.74

DGH-M 2017, HDE-en, 01/17; Dimensional data not binding. We reserve the right to alter specifications without notice.

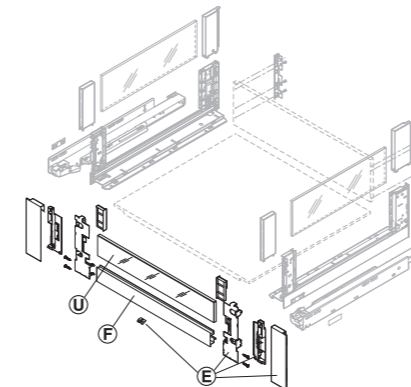


DIESE SEITE WURDE BEWUSST  
LEER GELASSEN  
INTENTIONAL BLANK PAGE

Internal pull out with low or high insert element  
Drawer side height 177 mm, system height C



Internal pull out with low insert element

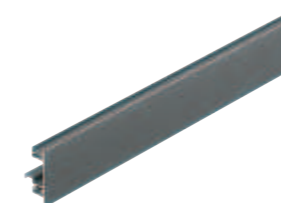


- Ⓔ Front bracket set for pull out for door front fixing
- Ⓕ Front component for pull out for door front fixing
- Ⓖ Glass insert element (front)

**Installation**

The complete internal pull out with drawer side height 177 mm with insert element consists of front bracket set, front component, high or low insert element and pull out for door front fixing with drawer side height 177 mm without front fixing, height C. Specifications for internal installation height and installation dimensions of the rear panel are identical to the pull out for door front fixing with drawer side height 177 mm.

→ Front component for pull out for door front fixing Ⓕ



- > Material: Aluminium
- > For cabinet width: Max. 1,200 mm (16 mm side panel thickness)
- > Length: 1,043 mm
- > Installation: For cutting to size: Internal cabinet width – 126 mm, for plug fitting into front bracket

Model	Colour	Cat. No.
ZV7.1043MN1	Silk white	550.74.718
	Terra black	550.74.318
	Orion grey	550.74.518
	Polar silver	550.74.918
	Nickel coloured anodized	550.74.018

Packing: 1 piece

Legrabox Free	► MB 9.96
Ambia-Line compartment system	► MB 9.172

→ Front bracket set for pull out for door front fixing Ⓔ



- > Material: Front brackets and cover caps outside: Steel/stainless steel, cover caps inside and support: Plastic

**Supplied with**

- 2 front brackets (left/right)
- 2 cover caps outside (left/right)
- 2 cover caps inside (left/right)
- 1 support for drawer front panel with screws

Model	Colour	Cat. No.
ZI7.2CS0	Silk white	550.76.710
	Terra black	550.76.310
	Orion grey	550.76.510
	Polar silver	550.76.910
ZI7.2CI0	Grey (matching stainless steel)	550.76.010

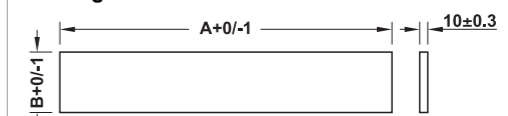
Packing: 1 set

→ Glass insert element (front) Ⓖ



- > Material: Flint glass
- > Finish: Clear

**Cutting dimensions for self-manufactured insert elements**



Length A = internal cabinet width – 80 mm  
(for side panel thickness 18/19 mm)

Height B = 70 mm low insert element,  
138 mm high insert element

**Note**

The supplied compensating piece must be installed when using the low insert element.

Model	For cabinet width mm	Cat. No.
<b>Low insert element (70 mm)</b>		
ZE7V332G	450	550.74.432
ZE7V482G	600	550.74.434
ZE7V782G	900	550.74.436
ZE7V1082G	1200	550.74.438

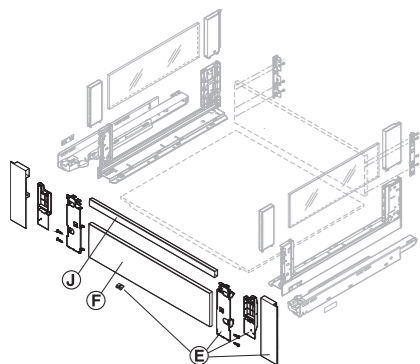
Model	For cabinet width mm	Cat. No.
<b>High insert element (138 mm)</b>		
ZE7W332G	450	550.74.442
ZE7W482G	600	550.74.444
ZE7W782G	900	550.74.446
ZE7W1082G	1200	550.74.448

Packing: 1 piece

DGH-M 2017, HDE-en, 01/17; Dimensional data not binding. We reserve the right to alter specifications without notice.



Internal pull out with railing  
Drawer side height 177 mm, system height C

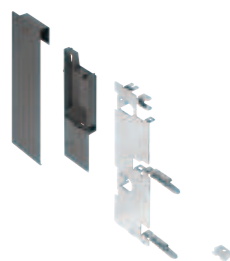


- Ⓔ Front bracket set for pull out for door front fixing
- Ⓕ Front component for pull out for door front fixing
- Ⓖ Railing

Installation

The complete internal pull out with drawer side height 177 mm with railing consists of front bracket set, front component, railing and pull out for door front fixing with drawer side height 177 mm without front fixing, height C.  
Specifications for internal installation height and installation dimensions of the rear panel are identical to the pull out for door front fixing with drawer side height 177 mm.

→ Front bracket set for pull out for door front fixing Ⓔ



- > Material: Front brackets and cover caps outside: Steel/stainless steel, cover caps inside and support: Plastic

Supplied with

- 2 front brackets (left/right)
- 2 cover caps outside (left/right)
- 2 cover caps inside (left/right)
- 1 support for drawer front panel with screws

Model	Colour	Cat. No.
ZI7.3CS0	Silk white	550.76.720
	Terra black	550.76.320
	Orion grey	550.76.520
	Polar silver	550.76.920
ZI7.3CI0	Grey (matching stainless steel)	550.76.020

Packing: 1 set

→ Front component for pull out for door front fixing Ⓕ

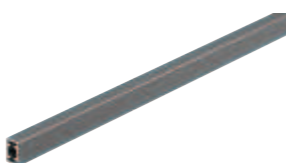


- > Material: Aluminium
- > For cabinet width: Max. 1,200 mm (16 mm side panel thickness)
- > Length: 1,043 mm
- > Installation: For cutting to size: Internal cabinet width – 126 mm, for plug fitting into front bracket

Model	Colour	Cat. No.
ZV7.1043C01	Silk white	550.74.728
	Terra black	550.74.328
	Orion grey	550.74.528
	Polar silver	550.74.928
	Nickel coloured anodized	550.74.028

Packing: 1 piece

→ Railing Ⓖ



- > Material: Aluminium
- > For cabinet width: Max. 1,200 mm (16 mm side panel thickness)
- > Length: 1,080 mm
- > Installation: For cutting to size: Internal cabinet width – 90 mm, for plug fitting into front bracket or cross railing holder

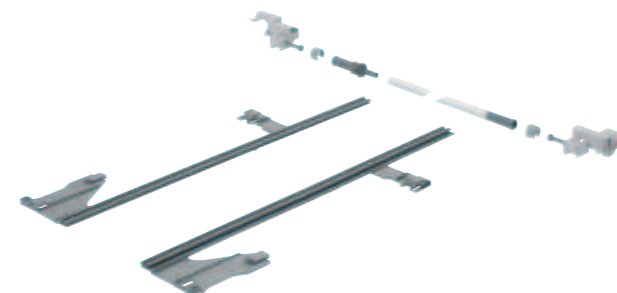
Model	Colour	Cat. No.
ZR7.1080U	Matt silk white	550.74.708
	Matt terra black	550.74.308
	Matt Orion grey	550.74.508
	Matt polar silver	550.74.908
	Nickel coloured anodized	550.74.008

Packing: 1 piece

Legrabox Free	► MB 9.96
Ambia-Line compartment system	► MB 9.172

DGH-M 2017, HDE-en, 01/17; Dimensional data not binding. We reserve the right to alter specifications without notice.

Side stabilisation set

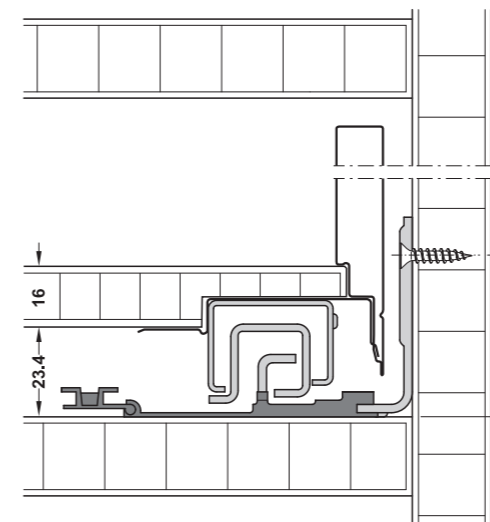


For improving the side stability

- > with wide pull outs with short nominal length
  - > when opening (e.g. with off-centre mounted handles)
  - > in open position
  - > with cabinet widths up to 1,400 mm
- Additional drawer and cabinet processing is not required.  
Additional space below is not required.

- > Installation: Without tools on runners, racks and stabilising shaft must be cut to required size

Installation



\* + 1 mm where a base panel is installed beneath the cabinet runner

Cut:

- Stabilising shaft length = internal cabinet width – 295 mm
- Rack length = nominal length + 15 mm

Supplied with

- 2 racks left/right
- 2 bearing blocks left/right
- 2 couplings
- 2 retaining clips
- 1 stabilising shaft 1,071 mm
- Installation instructions

Nominal length of runners mm	Model	Cat. No.
270–400	ZS7M.400LU	550.80.183
450–650	ZS7M.650LU	550.80.187

Packing: 1 piece

DGH-M 2017, HDE-en, 01/17; Dimensional data not binding. We reserve the right to alter specifications without notice.

Additional set for synchronising Tip-On cabinet runners



- > Material: Synchronising set: Plastic, stabilising shaft: Aluminium
- > Colour: Synchronising set: Dust grey, RAL 7037
- > Dim.: Rod suitable for cabinet width up to 1,400 mm, cut for Legrabox = internal width – 229 mm

Supplied with

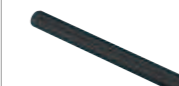
- 1 Tip-On synchronising set
- 1 Tip-On stabilising shaft

	Cat. No.
For cabinet width up to 1400 mm	433.24.994

Packing: 1 set

Tip-On Blumotion Synchronisation rod

→ For standard drawers



- > Suitable for: Blum Legrabox pure/free and Blum Tandembox antaro drawer side runner system, Blum Movento drawer runners
- > Material: Plastic
- > Colour: Black
- > Dim.: Rod suitable for cabinet width up to 1,400 mm, cut for Tandembox = internal width – 240 mm, cut for Legrabox = internal width – 247 mm, cut for Movento = internal width – 267 mm

Supplied with

- 1 Tip-On Blumotion stabilising shaft

	Cat. No.
For cabinet width from 600 mm up to 1400 mm	550.60.119

Packing: 1 or 5 pieces

→ For narrow drawers



- > Suitable for: Blum Legrabox pure/free and Blum Tandembox antaro drawer side runner system, Blum Movento drawer runners
- > Material: Plastic
- > Colour: Light grey, RAL 7035
- > Dim.: Tandembox: Cut = internal width – 214 mm, internal width inside cabinet 238–286 mm, Legrabox: Cut = internal width – 221 mm, internal width inside cabinet 245–293 mm, Movento: Cut = internal width – 241 mm, internal width inside cabinet 265–313 mm

	Cat. No.
Tip-On Blumotion synchronisation rod	550.60.111

Packing: 1 piece



9

Drawer and Pull Out for Door Front Fixing

24.06.2019  
ID 4518

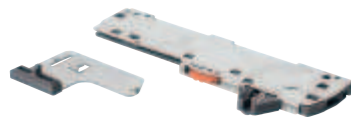
9

Drawer and Pull Out for Door Front Fixing

29.03.2018  
ID 3880



### Tip-On Blumotion Unit and follower



- > Material: Plastic
- > Colour: Grey

**Supplied with**  
2 Tip-On Blumotion units (left/right)  
2 Tip-On Blumotion followers (left/right)  
2 Tip-On Blumotion synchronising adapters

For nominal length mm	Load bearing capacity kg	Cat. No.
270-300	Up to 10 kg (Legrabox and Movento)	550.61.040
	10 to 20 kg (Legrabox and Movento)	550.61.041
350-650	Up to 20 kg (Legrabox and Movento)	550.61.042
	15 to 40 kg (Legrabox and Movento)	550.61.043
	35 up to 70 kg (Legrabox) and 35 to 60 kg (Movento)	550.61.044

Packing: 1 set

### Legrabox pure Cover cap



- > Material: Plastic

Colour	Suitable for	Cat. No.
Orion grey	Orion grey	550.76.593
Silk white	Silk white	550.76.793
Terra black	Terra black	550.76.393
Grey	Stainless steel	550.76.093
Polar silver	Polar silver	550.76.993

Outside	Colour	Cat. No.
Orion grey	Orion grey	550.76.583
Silk white	Silk white	550.76.783
Terra black	Terra black	550.76.383
Grey	Stainless steel	550.76.083
Polar silver	Polar silver	550.76.983

Height N	Colour	Cat. No.
Orion grey	Orion grey	550.76.582
Silk white	Silk white	550.76.782
Terra black	Terra black	550.76.382
Grey	Stainless steel	550.76.082
Polar silver	Polar silver	550.76.982

Packing: 1 piece

### Drilling jig

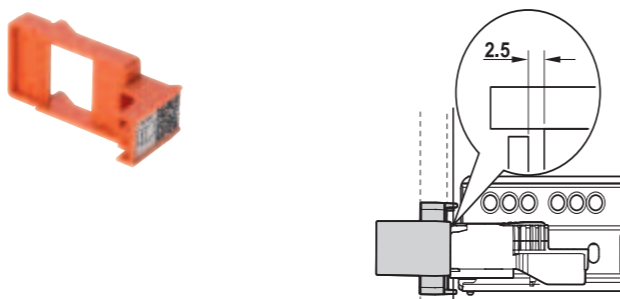


- > Area of application: For Legrabox, for pilot drilling base and rear panel
- > Material: Plastic
- > Colour: Orange
- > Model: ZML.7000
- > Suitable for: Use before or after cabinet assembly

	Cat. No.
Drilling jig	550.60.010

Packing: 1 piece

### Tip-On Blumotion Front gap jig

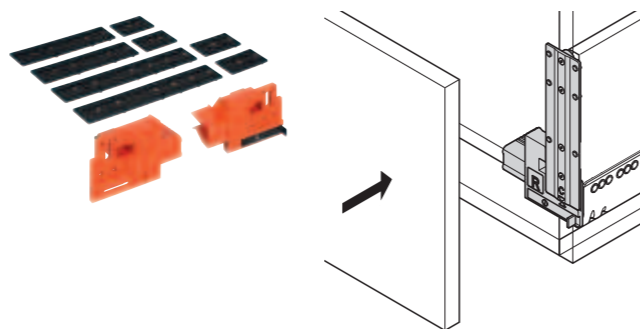


- > Area of application: For easy depth adjustment of Legrabox Tip-On Blumotion cabinet rails
- > Material: Plastic
- > Colour: Dust grey, RAL 7037

	Cat. No.
Tip-On Blumotion front gap jig	550.60.015

Packing: 1 piece

### Centring gauge for front processing

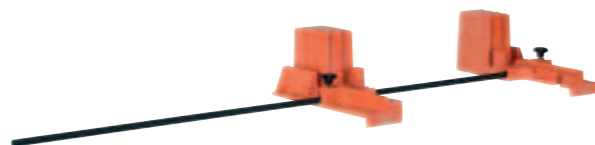


- > Area of application: For Legrabox, for marking the fixing positions of the front fittings
- > Material: Aluminium/plastic
- > Finish: Bright/orange
- > Model: ZML.3710

	Cat. No.
Centring gauge	550.60.020

Packing: 1 set

### Boxfix E-L Mounting aid



- > Area of application: For manual assembly of Legrabox pull outs
- > Model: Boxfix E-L
- > Installation: For press fitting (without tools)

	Cat. No.
Boxfix E-L mounting aid	550.60.002

Packing: 1 piece

DGH-M 2017, HDE-en, 01/17; Dimensional data not binding. We reserve the right to alter specifications without notice.

### Blum Servo-Drive Automatic opening mechanism for Blum Tandembox and wooden drawer

Can only be used in combination with Blumotion cabinet rail.  
The perfect fitting for opening drawers and pull outs with ease.



Suggested ordering unit for one cabinet with 2 drawers and 2 pull outs for door front fixing or 4 wooden drawers (overlay front or internal drawer)

#### Note

The number of spacer buffers for each front panel depends on the front panel height and load bearing capacity of the runners.

#### Order reference

Please see installation instructions for planning and installation dimensions. Please order installation instructions Cat. No. 732.25.200 and brochure Cat. No. 732.02.435 separately. Not suitable for use with Tip-On cabinet rail.

#### Blum Tandembox



	Product name	Quantity	Cat. No.
①	Spacer buffer	8 pieces	554.99.199
②	Base profile 700 mm	1 piece	554.99.102
③ + ④	Base profile support horizontal strut	1 Set	554.99.120
⑤	Drive unit	4 pieces	554.99.003
⑥ + ⑦	Joint and cable end cap	2 Sets	554.99.343
⑧ + ⑦	Distribution cable and cable end cap	1 piece	554.99.310
⑨	Power supply unit	1 piece	554.99.204
	Mains lead	1 piece	554.99.320
⑩	Power supply unit holder for base mounting	1 piece	554.99.210

#### Tandem (wooden drawer)



	Product name	Quantity	Cat. No.
①	Spacer buffer for overlay front	8 pieces	554.99.199
②	Base profile 700 mm	1 piece	554.99.102
③ + ④	Base profile support horizontal strut	1 Set	554.99.120
⑤	Drive unit	4 pieces	554.99.003
⑥ + ⑦	Joint and cable end cap	2 Sets	554.99.343
⑧ + ⑦	Distribution cable and cable end cap	1 piece	554.99.310
⑨	Power supply unit	1 piece	554.99.204
	Mains lead	1 piece	554.99.320
⑩	Power supply unit holder for base mounting	1 piece	554.99.210

DGH-M 2017, HDE-en, 10/16; Dimensional data not binding. We reserve the right to alter specifications without notice.



Blum Servo-Drive Individual components  
for automatic opening mechanism

→ Spacer buffer ①



> Material: Plastic  
> Colour: Dust grey, RAL 7037

Suitable for	Diameter mm	Model	Cat. No.
Drawer: Tandembox, Tandem, Movento	5	993.0530	554.99.198
	8	993.0830.01	554.99.199

Packing: 1 piece

Order reference

Please order for each drawer  
2 spacer buffers for 30 kg cabinet rails or front height <300 mm and  
4 spacer buffers for 65 kg cabinet rail or front height >300 mm.

Drilling jig for spacer buffer ▶ MB 9.107

→ Base profile ②



> Material: Aluminium

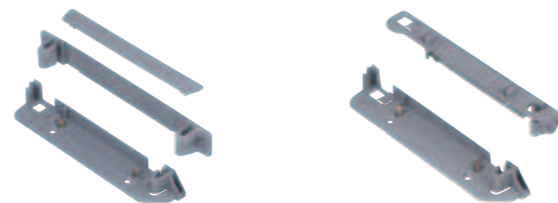
Installation	Version	Length mm	Model	Cat. No.
Vertical	With inserted cable	650	Z10T650AA	554.99.101
		700	Z10T700AA	554.99.102
		710	Z10T710AA	554.99.105
		750	Z10T750AA	554.99.103
	800	Z10T800AA	554.99.104	
	Can be shortened, without cable	1170	Z10T1170A	554.99.116
Horizontal	Can be shortened, without cable	1143	Z10T1143B	554.99.139

Packing: 1 piece

Information ▶ MB 9.103

→ Base profile support ③ + ④

Vitaflex



For vertical installation with vertical strut

For vertical installation with horizontal strut



For horizontal installation

> Material: Plastic  
> Colour: Dust grey, RAL 7037

Supplied with	Model	Cat. No.
---------------	-------	----------

For vertical installation with vertical strut

1 Rear base profile support	Z10D01EA	554.99.121
1 Bottom base profile support		

For vertical installation with horizontal strut

1 Top base profile support	Z10D01E0	554.99.120
1 Bottom base profile support		

For horizontal installation

1 Left base profile support	Z10D5210	554.99.127
1 Right base profile support		

Packing: 1 set

→ Drive unit ⑤



> Material: Plastic

Colour	Model	Cat. No.
Dust grey, RAL 7037	Z10A3000.02	554.99.003

Packing: 1 piece

Lever guide for cabinet width 275–300 mm



> Area of application: For drive unit in combination with wooden rear panel  
> Material: Plastic

Colour	Model	Cat. No.
Dust grey, RAL 7037	Z10A3H00	554.99.190

Packing: 1 piece

Synchronising cable for 2 drive units



> Material: Plastic  
> Colour: White

Length mm	Model	Cat. No.
80	Z10K008S	554.99.301
500	Z10K050S	554.99.304
1200	Z10K120S	554.99.302
1600	Z10K160S	554.99.303

Packing: 1 piece

→ Joint and cable end cap ⑥ + ⑦



> Material: Plastic

Supplied with

1 joint  
2 cable end caps

Colour	Model	Cat. No.
Black	Z10V100E.01	554.99.343

Packing: 1 set

→ Distribution cable, can be cut to size,  
with cable end cap ⑧ + ⑦



> Suitable for: Distributor cable, base profile cable, communication cable  
> Material: Plastic

Supplied with

1 connecting cable, length 8 m  
5 cable end caps

Colour	Model	Cat. No.
Black	Z10K800AE	554.99.310

Packing: 1 piece

Cable holder, self-adhesive



Material	Colour	Model	Cat. No.
Plastic	White	Z10K0009	554.99.330

Packing: 1 piece

→ Power supply unit and mains lead for Europe ⑩



> Area of application: For up to 50 drive units per power supply unit

	Model	Cat. No.
Power supply unit 24 W	Z10NE030A	554.99.204
Power supply unit 12 W	Z10NA30EAF	554.99.230
Mains lead length 1900 mm	Z10M200E	554.99.320

Packing: 1 piece

Note

One single SERVO-DRIVE application can be implemented with the Blum plug-in power supply unit 12 W.  
The 24 W power supply unit can be used for applications with several SERVO-DRIVE drive units.

→ Power supply unit holder ⑩



For shelf mounting with lid

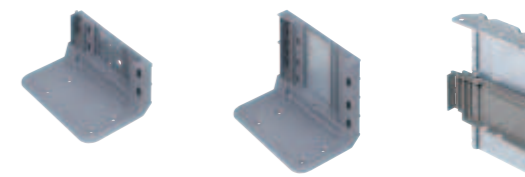
For side/rear panel mounting

> Material: Plastic  
> Colour: Dust grey, RAL 7037

Installation	Model	Cat. No.
For shelf mounting with lid	Z10NG000	554.99.210
For side/rear panel mounting	Z10NG120	554.99.213

Packing: 1 piece

→ Supporting bracket, single or double



Single, bottom mounting

Double, bottom mounting

Single, top mounting

> Area of application: For max. 2 drawers where the drive unit (individually positioned) is installed without the base profile  
> Material: Plastic  
> Colour: Dust grey, RAL 7037

Supplied with

1 single or double supporting bracket  
1 lead  
1 adapter (only for top mounting)

Installation	Suitable for	Model	Cat. No.
Bottom	1 drive unit	Z10D0311	554.99.010
	2 drive units	Z10D7201.01	554.99.011
Top	1 drive unit	Z10D6252	554.99.012

Packing: 1 piece

Drilling jig for base profile (for supporting bracket) ▶ MB 9.107

Information ▶ MB 9.103



9

Drawer and Pull Out

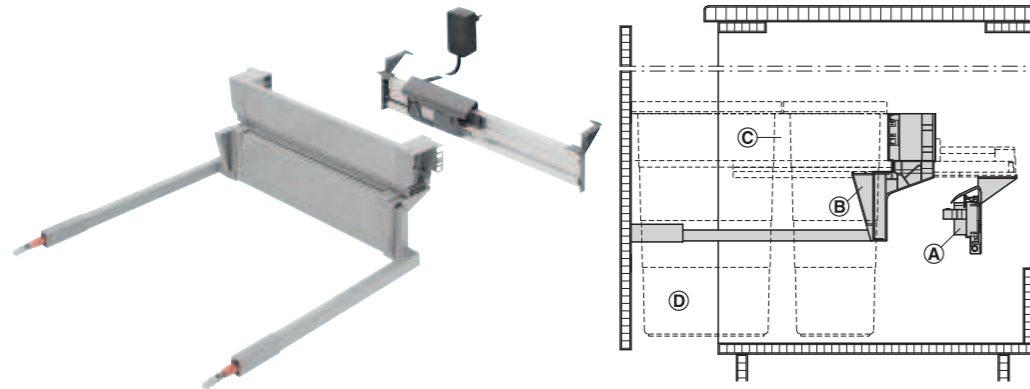


9

Drawer and Pull Out

Blum Servo-Drive Waste segregation pull out unit complete sets

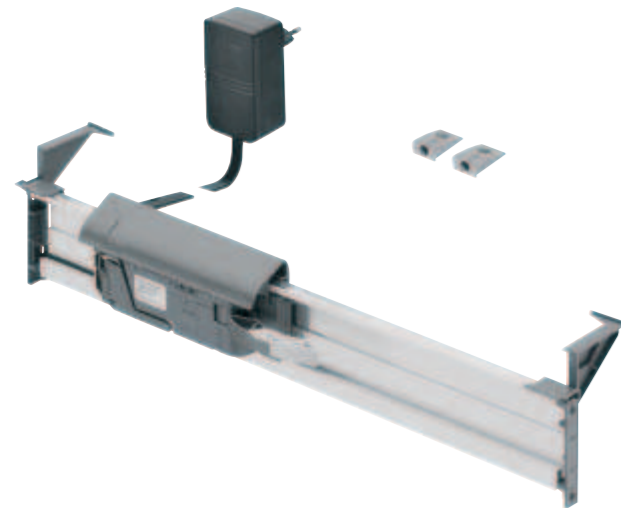
→ Suspended



- System overview:**
- Ⓐ Drive unit
  - Ⓑ Rear panel set
  - Ⓒ Blum Tandembox drawer side runner system (drawer sides, cabinet rails, front fixing brackets)
  - Ⓓ Hailo Zargen Cargo waste bins

- > Version: Electric drawer drive for Blum Tandembox drawer side runner systems, slightly pulling or pushing (e.g. with the knee) the drawer front opens the pull out
- > Area of application: For waste segregation systems for hooking into drawer side runner systems
- > For side panel thickness: 18/19 mm

Ⓐ Drive unit



- Supplied with**
- 1 Drive unit with base profile, adapter, dripping water protection and mains plug (pre-mounted)
  - 1 Mounting aid
  - 2 Spacer buffers
  - 1 Set of fixing material
  - Installation and operating instructions

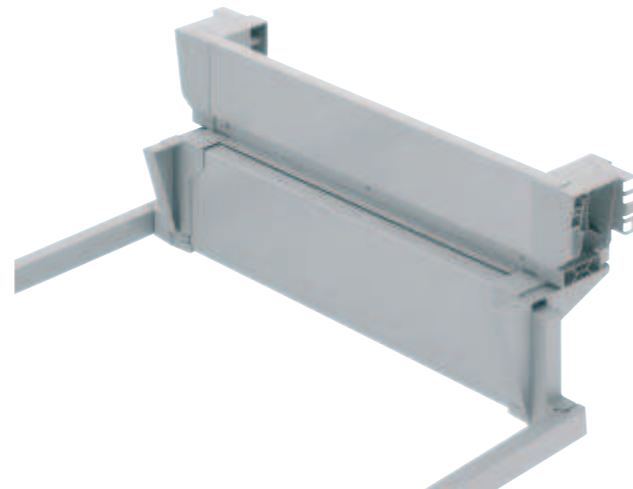
For cabinet width mm	Model	Cat. No.
450	Z10T393WEA1	554.99.085
500	Z10T443WEA1	554.99.086
600	Z10T543WEA1	554.99.087

Packing: 1 set

**Order reference**

Please order rear panel set, Blum Tandembox drawer side runner system and Hailo Zargen-Cargo waste bins separately.

Ⓑ Rear panel set



- > Finish: White aluminium, RAL 9006

- Supplied with**
- 1 Steel rear panel
  - 1 Connection piece
  - 1 Left and 1 right holder
  - 1 Left and 1 right side railing, rectangular

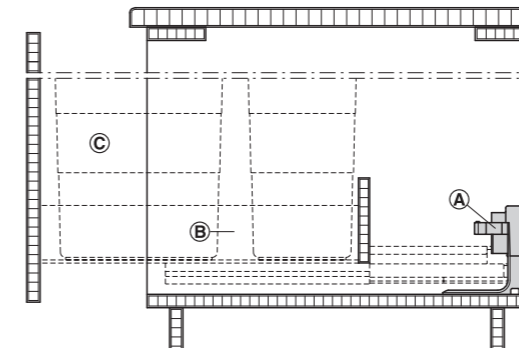
For cabinet width mm	Model	Cat. No.
450	Z30M383S0W	555.12.054
500	Z30M433S0W	555.12.055
600	Z30M533S0W	555.12.056

Packing: 1 set

- Ⓒ Blum Tandembox antaro drawer side runner system ▶ MB 9.48
- Ⓓ Hailo Zargen Cargo waste bins ▶ MB 7.127

DGH-M 2017, HDE-en,10/16; Dimensional data not binding. We reserve the right to alter specifications without notice.

→ Upright



- Ⓐ Drive unit with supporting bracket
- Ⓑ Blum Tandembox drawer side runners or Blum Tandem/Movento drawer runners
- Ⓒ Waste bins for inserting

**Note**

Trial mounting required for other drawer runners or wooden drawers.

- > Version: Electric drawer drive for Blum Tandembox or Tandem/Movento, slightly pulling or pushing (e.g. with the knee) the drawer front opens the pull out
- > Area of application: For waste segregation systems for inserting (upright) in drawers

**Supplied with**

- 1 Drive unit with supporting bracket and mains plug (pre-mounted)
- 2 Spacer buffers
- 1 Set of fixing material
- 1 Set of installation instructions

Model	Cat. No.
Z10NA30EA	554.99.094

Packing: 1 set

**Order reference**

Please order Blum Tandembox drawer side runner system or Tandem/Movento drawer runners and waste bins for inserting separately. Suitable waste bins for inserting for different cabinet widths can be found from page 7.119 onwards.

- Ⓑ Blum Tandembox antaro drawer side runner system ▶ MB 9.44
- Ⓒ Blum Tandem/Movento drawer runners ▶ MB 9.221
- Ⓒ Waste bins for inserting ▶ MB 7.119

DGH-M 2017, HDE-en,10/16; Dimensional data not binding. We reserve the right to alter specifications without notice.

**Processing aids**

→ Drilling jig for spacer buffer

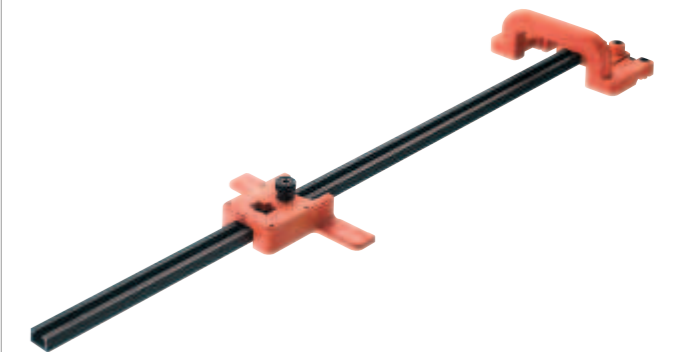


- > Area of application: For drilling the fixing holes for the buffer on the separate or installed front and on the cabinet (front side), for spacer buffers Ø 5 mm or Ø 8 mm

Colour	Model	Cat. No.
Orange	ZML.1090	554.99.910

Packing: 1 piece

→ Drilling jig for base profile



- > Area of application: For marking or pilot drilling fixing positions for base profile

Colour	Model	Cat. No.
Orange/black	ZML.1150.02	554.99.911

Packing: 1 piece

Drawer drilling jig ▶ MB 9.229



9

Drawer and Pull Out



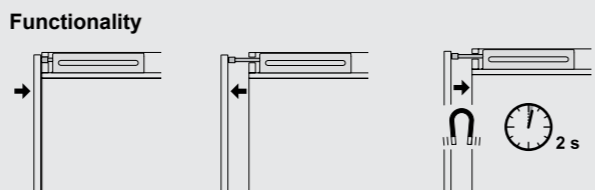
9

Drawer and Pull Out



**Blum Servo-Drive flex Automatic opening mechanism**

For refrigerators, fridge/freezer combinations, integrated dishwashers

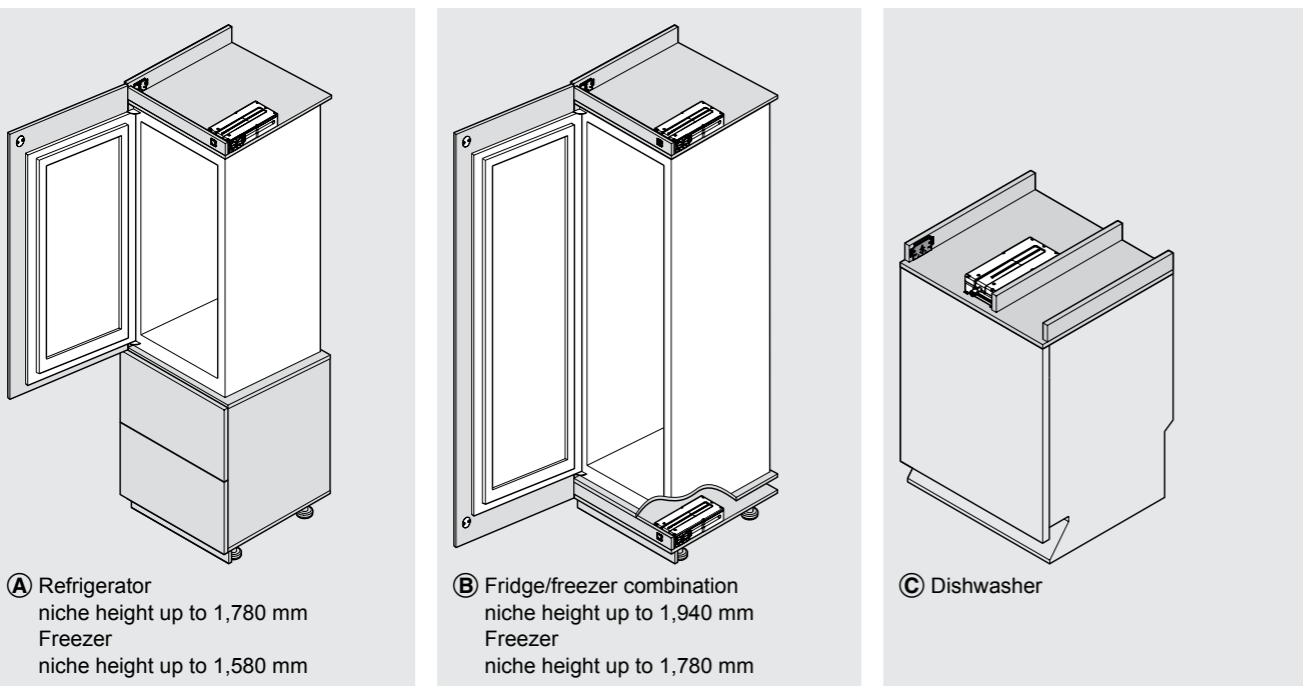


**Functionality**  
Tapping the front panel opens the front slightly for 2 seconds. During this time the user can open the door completely. If the door has not been opened further within 2 seconds, the magnetic thrust cylinder automatically closes the door again. If the door has been opened further, the thrust cylinder is retracted. The door can then be closed manually without additional effort. If pressure is applied to the front panel for a longer period of time, e.g. by leaning against it, the door does not open.

Makes continuous implementation of a handle-free kitchen possible and thus supplements the systems Servodrive, Tip-On and Tip-On Blumotion in wall and base units.

**Order reference**  
Please see installation instructions for planning and installation dimensions

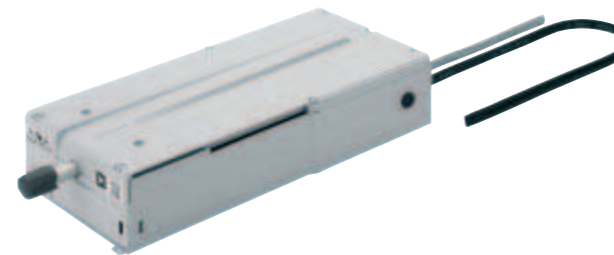
**Cutting dimensions for panels (panel thickness of 16 mm)**



	Product name	A	B	C	Cat. No.
⑤	Drive unit	1 piece	2 pieces	1 piece	554.99.007
⑨	Power supply unit 24 W Mains lead	1 piece 1 piece	1 piece 1 piece	1 piece 1 piece	554.99.204 554.99.320
⑩	Power supply unit holder for rear panel mounting Power supply unit holder for base mounting	1 piece	1 piece 1 piece (alternatively)	1 piece	554.99.213 554.99.210
⑥ + ⑦	Joint and cable end cap	-	3 Sets	-	554.99.343
⑧ + ⑦	Distribution cable and cable end cap	-	1 piece	-	554.99.310
⑫	Synchronising cable	-	1 piece	-	554.99.306
⑪	Switch and radio receiver (recommended for fridge/freezer combination)	-	1 + 1 piece	-	554.99.391 554.99.380
⑬	Mounting plate for dishwasher	-	-	1 piece	554.99.370

DGH-M 2017, HDE-en, 10/16; Dimensional data not binding. We reserve the right to alter specifications without notice.

**Servo-Drive flex Drive unit ⑤**



> Area of application: For integrated refrigerators, fridge/freezer combinations and dishwashers, for left or right hand mounted doors  
> Version: Electrically driven motor for opening (gap) doors (with connecting fitting for appliance doors or fixed) by a gentle tap, magnetic thrust cylinder that automatically closes the open door after 2 seconds  
> Material: Plastic  
> Colour: Light grey RAL 7035

**Supplied with**  
1 Servo-Drive flex drive unit  
3 spacer buffers  
1 joint and cable end cap  
2 mounting plates and brackets  
1 set of fixing material  
Installation instructions

Model	Cat. No.
Z10C500A	554.99.007

Packing: 1 piece

**Order reference**  
Please order power supply unit, mains lead, power supply unit holder, joint, distributor cable and cable end cap separately.

**Power supply unit and mains lead for Europe ⑨**



> Area of application: For up to 50 drive units per power supply unit

	Model	Cat. No.
Power supply unit 24 W	Z10NE030A	554.99.204
Power supply unit 12 W	Z10NA30EAF	554.99.230
Mains lead length 1900 mm	Z10M200E	554.99.320

Packing: 1 piece

**Note**  
One single SERVO-DRIVE application can be implemented with the Blum plug-in power supply unit 12 W. The 24 W power supply unit can be used for applications with several SERVO-DRIVE drive units.

DGH-M 2017, HDE-en, 10/16; Dimensional data not binding. We reserve the right to alter specifications without notice.

**Power supply unit holder ⑩**



For shelf mounting with lid For side/rear panel mounting

> Material: Plastic  
> Colour: Dust grey, RAL 7037

Installation	Model	Cat. No.
For shelf mounting with lid	Z10NG000	554.99.210
For side/rear panel mounting	Z10NG120	554.99.213

Packing: 1 piece

**Joint and cable end cap ⑥ + ⑦**



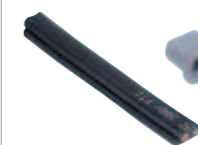
> Material: Plastic

**Supplied with**  
1 joint  
2 cable end caps

Colour	Model	Cat. No.
Black	Z10V100E.01	554.99.343

Packing: 1 set

**Distribution cable, can be cut to size, with cable end cap ⑧ + ⑦**



> Suitable for: Distributor cable, base profile cable, communication cable  
> Material: Plastic

**Supplied with**  
1 connecting cable, length 8 m  
5 cable end caps

Colour	Model	Cat. No.
Black	Z10K800AE	554.99.310

Packing: 1 piece

→ **Cable holder, self-adhesive**



Material	Colour	Model	Cat. No.
Plastic	White	Z10K0009	554.99.330

Packing: 1 piece





Synchronisation cable for 2 Servo-Drive flex drive units ⑫



- > Area of application: For synchronising two Servo-Drive flex drive units
- > Material: Plastic
- > Length: 3,000 mm

Colour	Model	Cat. No.
Light grey, RAL 7035	Z10K300A	554.99.306

Packing: 1 piece

Order reference

Please order joints and cable end caps separately.

Mounting plate for dishwasher ⑬



- > Area of application: Mounting plate for Servo-Drive flex drive unit
- > Material: Plastic

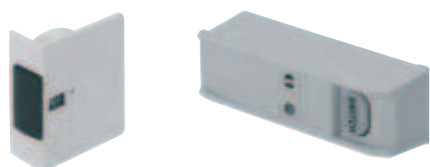
Colour	Model	Cat. No.
Light grey, RAL 7035	Z10C5005	554.99.370

Packing: 1 piece

Order reference

1 additional mounting plate is required for each dishwasher.

Servo-Drive flex Switch and receiver ⑪



Switch, light grey    Radio receiver, dust grey

- > Area of application: For increasing the release range with refrigerators and fridge/freezer combinations
- > Material: Plastic

	Colour	Model	Cat. No.
Switch	Silk white	21P5020	554.99.391
	Light grey	21P5020	554.99.390
Radio receiver	Dust grey	Z10C5007	554.99.380

Packing: 1 piece

Order reference

Please order one switch and one radio receiver for each fridge/freezer combination.  
Please refer to the planning and construction information for detailed drawings and drilling dimensions.

Blum Cabloxx Central locking system

For drawer side runner systems and wooden drawers

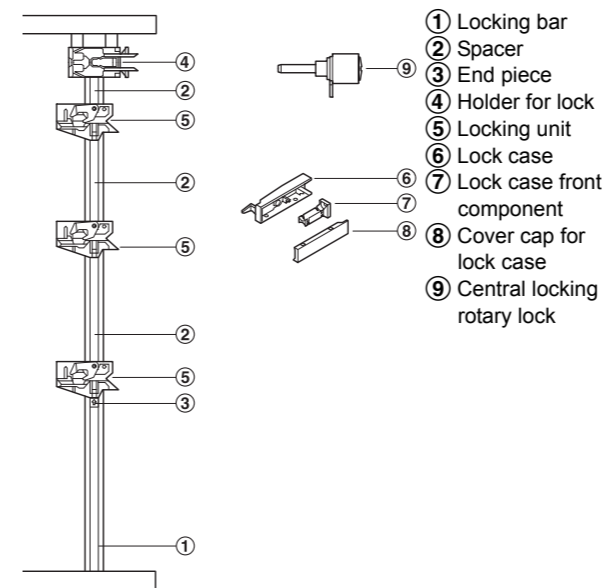


- > Additional safety and considerable amount of design freedom
- > Can be combined with different box and runner systems
- > High flexibility
- > Unlimited adjustment comfort
- > Lock on both sides possible with synchronisation set (recommended for cabinet width from 600 mm)

- > Area of application: For drawer side runner systems and wooden drawers

Note

Please see installation instructions for planning and installation dimensions.



→ Locking bar set ① to ④



- > Material: Steel, plastic
- > Installation: Locking bar cut: Internal height – 2 mm

Supplied with

- 1 locking bar
- 1 spacer for cutting to size
- 1 end piece
- 1 holder for lock
- 1 drilling jig for end piece

For cabinet height mm	Model	Cat. No.
600	Z80S0560	237.29.000
800	Z80S0760	237.29.001
1300	Z80S1260	237.29.003

Packing: 1 set

→ Locking unit ⑤



- > Material: Plastic

Installation	Model	Cat. No.
Installation side right	Z80.000V	237.29.020
Installation side left	Z80.000V	237.29.021

Packing: 1 piece

Order reference

Please order one locking unit for each drawer (left and right locking unit for lock on both sides).

→ Lock case set ⑥ to ⑧



- > Material: Steel, plastic

Supplied with

- 1 lock case
- 1 lock case front component
- 1 cover cap for lock case

Colour	Model	Cat. No.
White grey	Z80.000S	237.29.018
Orion grey, matt	Z80.000S	237.29.015
Silk white, matt	Z80.000S	237.29.017
Terra black, matt	Z80.000S	237.29.013

Packing: 1 set



9

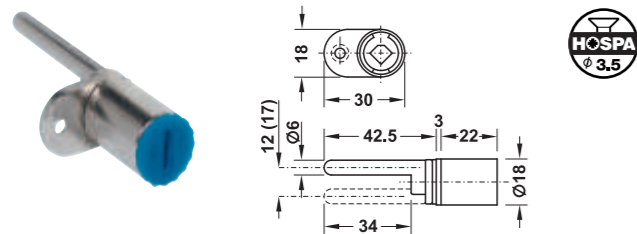
Drawer and Pull Out for Door Front Fixing



9

Drawer and Pull Out

→ Central locking rotary lock ⑨



Closure travel	Travel mm	Cat. No.
180°	12	234.98.650

Packing: 1 or 20 pieces

- Symo cylinder cores ▶ MB 6.81
- Symo cylinder rosette ▶ MB 6.83

Accessories

→ Synchronising set



- > Material: Steel, plastic
- > Area of application: For drawer side runner system and wooden drawers, for cabinet width >600 mm

Supplied with  
1 Pair of holders for synchronising set  
1 Pair of levers for synchronising set

Model	Cat. No.
Z80V000A	237.29.090

Packing: 1 piece

Order reference  
Two locking bar sets must be ordered when using the synchronising set.

→ Synchronisation shaft



- > Material: Steel, plastic
- > Installation: Synchronisation shaft cut: Internal cabinet width – 7 mm

Model	Cat. No.
Z80V1163W	237.29.091

Packing: 1 piece

Order reference  
Two locking bar sets must be ordered when using the synchronisation shaft.

→ Locking bar set, pre-assembled



- > Material: Steel, plastic
- > Version: For use with Blum Legrabox and Blum Tandembox at intervals of 32
- > For internal cabinet height: 544 mm

Supplied with  
1 Locking bar  
1 Spacer for cutting to size  
1 Holder for lock  
3 Locking units right, pre-mounted

Version	Model	Cat. No.
M/M/M	Z80S0542CA	237.29.005
C/M	Z80S0542BA	237.29.006

Packing: 1 set

→ Cutting jig



- > Material: Steel
- > Version: For cutting locking bar, spacer and synchronisation shaft, for drilling end pieces and holder for synchronising set

Version	Model	Cat. No.
65.0801	65.0801	237.29.092

Packing: 1 piece

→ Positioning jig for lock case



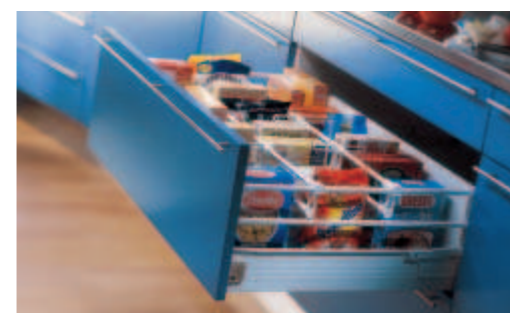
- > Material: Steel, plastic
- > Version: Positioning jig for fixing the lock case

Version	Model	Cat. No.
For Blum Tandembox	65.0803	237.29.093
For Blum Legrabox	65.0807	237.29.094

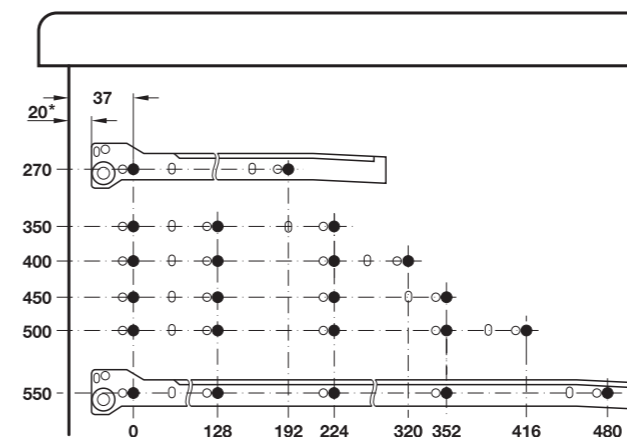
Packing: 1 piece

DGH-M 2017, HDE-en,10/16; Dimensional data not binding. We reserve the right to alter specifications without notice.

Blum Metabox Single-walled drawer side runners



Drilling pattern for single and full extension

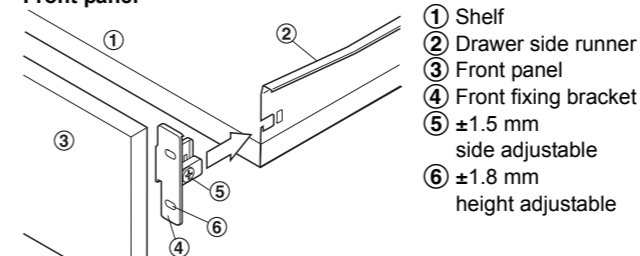


\* single extension: 2 mm

Planning dimensions

- Required internal cabinet depth =
- > Single extension: Nominal length + 4 mm
- > Full extension: Nominal length + 12 mm

Adjustment facility  
Front panel



- Soft closing mechanism for single extensions ▶ MB 9.115
- Planning dimensions ▶ MB 9.116

DGH-M 2017, HDE-en,10/16; Dimensional data not binding. We reserve the right to alter specifications without notice.

→ Front fixing brackets for screw fixing or press fitting  
Height 86 or 150 mm



- > Material: Drawer sides and cabinet runner: Steel, front fixing brackets: Zinc alloy/steel, cover cap: Plastic
- > Load bearing capacity: Single extension: 25 kg/pair, full extension: 30 kg/pair
- > Type of pull out: With self closing mechanism
- > Version: With roller runners, suitable for shelf profile
- > Installation: For screw fixing to side panel into 32 mm series drilled holes

Supplied with  
1 pair of drawer side runners  
1 pair of cabinet runners  
1 pair of front fixing brackets  
2 cover caps

Installation	Nom. length mm	Extension length AL mm	Cream white, RAL 9001
--------------	----------------	------------------------	-----------------------

Height 86 mm, Blum Metabox 320 M, single extension			
For screw fixing	270	203	558.77.711
	350	283	558.77.739
	400	333	558.77.748
	450	373	558.77.757
	500	416	558.77.766
550	458	558.77.775	
For press fitting	270	203	558.77.613
	350	283	558.77.631
	400	333	558.77.640
	450	373	558.77.659
	500	416	558.77.668
550	458	558.77.677	

Height 86 mm, Blum Metabox 330 M, full extension			
For screw fixing	400	430	559.11.745
	450	480	559.11.754
	500	550	559.11.763
	550	580	559.11.772

Height 150 mm, Blum Metabox 320 H, single extension			
For screw fixing	400	333	558.79.742
	450	373	558.79.751
	500	416	558.79.760
	550	458	558.79.779
	For press fitting	400	333
450		373	558.79.653
500		416	558.79.662
550	458	558.79.671	

Height 150 mm, Blum Metabox 330 H, full extension			
For screw fixing	400	430	559.13.749
	450	480	559.13.758
	500	530	559.13.767
	550	580	559.13.776
	For press fitting	400	430
450		480	559.13.650
500		530	559.13.669
550		580	559.13.678

Packing: 1 set



→ Drawer sides for plug fitting

Blum Metabox C15 Drawer sides



- > Material: Drawer sides and cabinet rail: Steel, rollers: Plastic
- > Finish/colour: Steel: Plastic coated, cream white, RAL 9001, plastic: White
- > Type of pull out: With self closing mechanism
- > Version: Can be combined with steel or wooden rear panel
- > Installation: For hooking into cabinet rail

Nom. length mm	Cat. No.
----------------	----------

Height 54 mm, Blum Metabox C15 320 N

400	555.76.740
500	555.76.750

Height 86 mm, Blum Metabox C15 320 M

350	555.77.735
400	555.77.740
450	555.77.745
500	555.77.750
550	555.77.755

Height 118 mm, Blum Metabox C15 320 K

400	555.78.740
450	555.78.745
500	555.78.750
550	555.78.755

Height 150 mm, Blum Metabox C15 320 H

350	555.79.735
400	555.79.740
450	555.79.745
500	555.79.750
550	555.79.755

Packing: 1 set

Order reference

Processing aids for Blum Metabox C15 available on request.

Blum Metabox C15 Cabinet rail



- > Material: Steel
- > Finish/colour: Plastic coated, cream white, RAL 9001
- > Load bearing capacity: Full extension: 30 kg/pair, single extension: 25 kg/pair
- > Type of pull out: With self closing mechanism
- > Version: With roller runners

Nom. length mm	Extension length AL mm	Cat. No.
----------------	------------------------	----------

Blum Metabox C15 320 Single extension

270	203	555.70.727
350	283	555.70.735
400	333	555.70.740
450	373	555.70.745
500	416	555.70.750
550	458	555.70.755

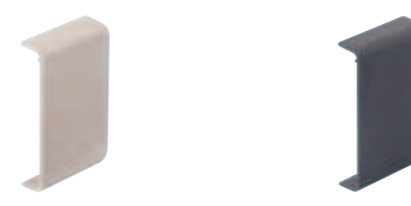
Blum Metabox C15 330 Full extension

270	278	555.71.727
350	358	555.71.735
400	408	555.71.740
450	458	555.71.745
500	508	555.71.750
550	558	555.71.755

Packing: 1 pair

→ Cover caps

For Blum Metabox drawer side runners, height 86 and 150 mm



Cream white, RAL 9001

Dust grey, RAL 7027

- > Material: Plastic

Colour	Cat. No.
Cream white, RAL 9001	558.81.788
Dust grey, RAL 7027	558.81.519

Packing: 1 or 250 pieces

→ Front fixing bracket

For Blum Metabox C15 drawer or pull out for door front fixing



For screw fixing

For press fitting

For quick fixing system (Inserta)

- > Material: Steel/zinc alloy
- > Finish: Nickel plated
- > Model: ZSF

Installation

Mark drill hole for screw fixing the front panel.

Drawer side height mm	Mounting	Cat. No.
<b>For screw fixing</b>		
54	Right	558.81.840
	Left	558.81.859
86, 118, 150	Right	558.81.800
	Left	558.81.810
<b>For press fitting into Ø 10 mm drill hole</b>		
86, 118, 150	Right	558.81.820
	Left	558.81.830
<b>Without tools (Inserta) for quick fixing</b>		
86, 118, 150	Right	558.81.920
	Left	558.81.921

Packing: 1 piece

Blumotion soft closing mechanism for Blum Metabox single extensions



- > Material: Plastic
- > Installation: For screw fixing
- > Load bearing capacity: 25 kg

Note

Please use 2 soft closing mechanisms for a cabinet width of 900 mm and above.

Colour	Model	Cat. No.
White grey/cream white, RAL 9001	Z70.0320	558.81.518

Packing: 1 set



9

Drawer and Pull Out



9

Drawer and Pull Out

DGH-M 2017, HDE-en,10/16; Dimensional data not binding. We reserve the right to alter specifications without notice.

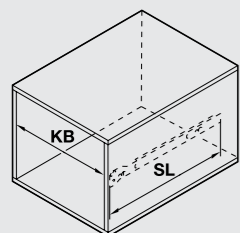
DGH-M 2017, HDE-en,10/16; Dimensional data not binding. We reserve the right to alter specifications without notice.



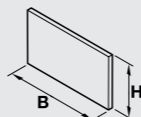
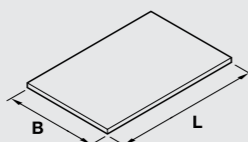


Blum Metabox Drawer side runner systems for rear panel for screw fixing or press fitting

Dimensions for cutting the wood (for wood thickness of 16 mm)

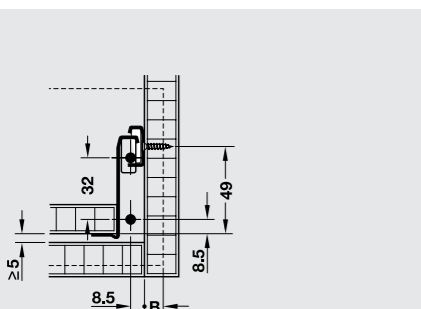


Key  
KB = inner cabinet width  
SL = rail length  
B = width  
H = height  
L = length

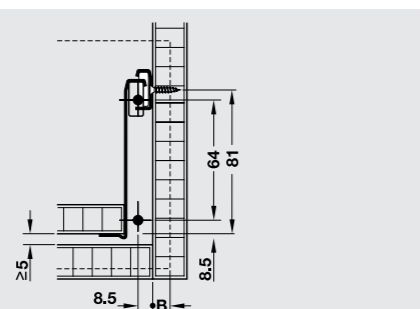


	Shelf	Rear panel
<b>Drawer side height 54 mm</b>		
Drawer	L = SL - 2 mm B = KB - 31 mm	H = 39 mm B = KB - 31 mm
<b>Drawer side height 86 mm</b>		
Drawer	L = SL - 2 mm B = KB - 31 mm	H = 71 mm B = KB - 31 mm
Pull out for door front fixing	L = SL - 2 mm B = KB - 31 mm	H = 127 mm B = KB - 31 mm
<b>Drawer side height 118 mm</b>		
Drawer	L = SL - 2 mm B = KB - 31 mm	H = 103 mm B = KB - 31 mm
Pull out for door front fixing	L = SL - 2 mm B = KB - 31 mm	H = 159 mm B = KB - 31 mm
<b>Drawer side height 150 mm</b>		
Drawer	L = SL - 2 mm B = KB - 31 mm	H = 135 mm B = KB - 31 mm
Pull out for door front fixing	L = SL - 2 mm B = KB - 31 mm	H = 196 mm B = KB - 31 mm

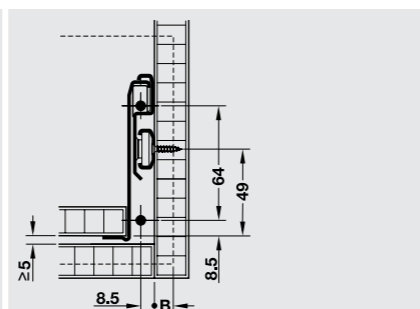
Installation



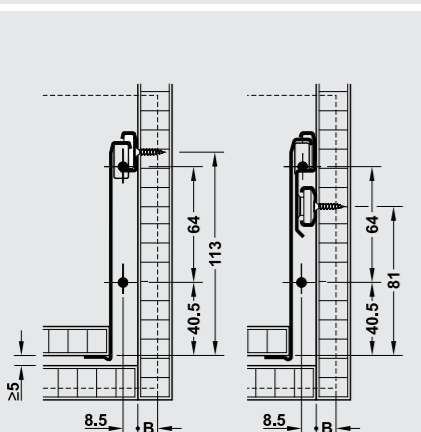
Height 54 mm, Blum Metabox 320 N, single extension



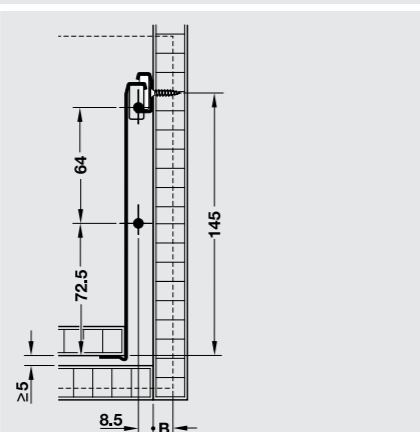
Height 86 mm, Blum Metabox 320 M, single extension



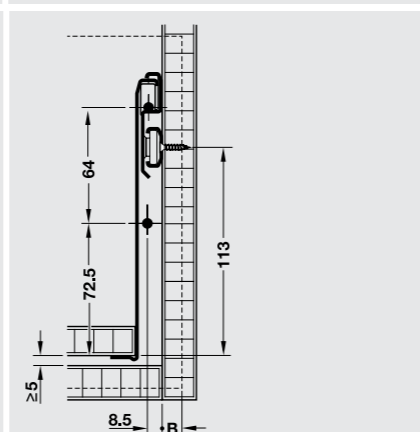
Height 86 mm, Blum Metabox 330 M, full extension



Height 118 mm, Blum Metabox 320 K, single and full extension



Height 150 mm, Blum Metabox 320 H, single extension



Height 150 mm, Blum Metabox 330 H, full extension

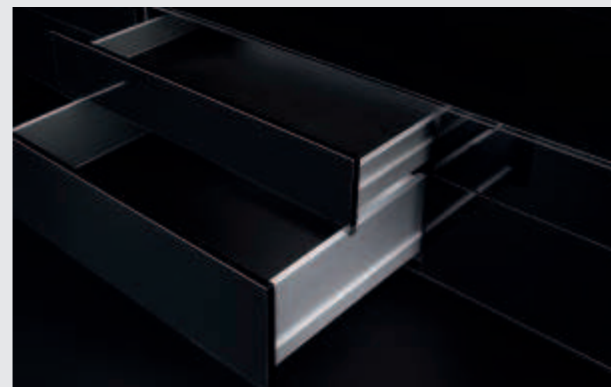
B = front overlay

Drawer and Pull Out

DGH-M 2017, HDE-en, 10/16; Dimensional data not binding. We reserve the right to alter specifications without notice.



Grass Nova Pro Scala



H186 pull out for door front fixing and H90 drawer in silver

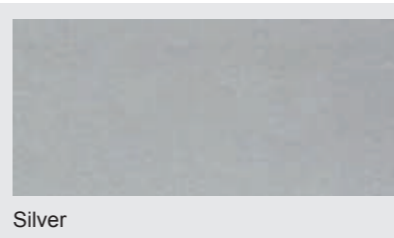


H186 pull out for door front fixing and Crystal Plus internal pull out in Ice

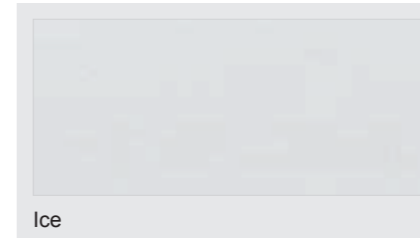
- > Modern and timeless design
- > Robust drawer sides in matt trend colours with customization option
- > Runners with low pull-out forces, excellent running characteristics and harmonised closing sequences
- > Easy mounting thanks to low part diversity and quick fixing systems
- > Convenient adjustment facilities
- > High stability for front height up to 780 mm (Box-Zarge H186, H250 or Crystal Plus H186)

- > Material: Steel
- > Finish: Cabinet rail: Galvanized, drawer: In 3 colours
- > Type of pull out: Nova Pro full extension with load bearing capacity 40/70 kg and integrated Soft-close soft closing mechanism. Can be combined with the Tipmatic Soft-close opening system (mechanical), for opening front panels without handle and dampened closing.

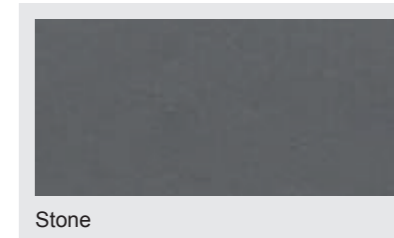
3 drawer side colours are available



Silver



Ice



Stone

Product highlights

Straight drawer sides with storage space advantages



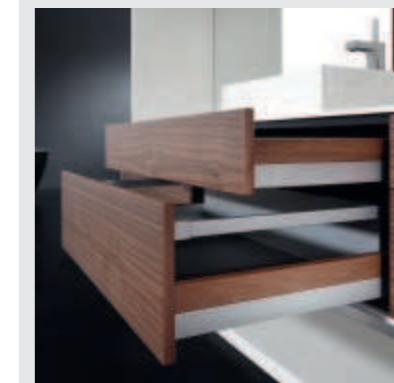
Good storage space utilisation thanks to low construction width and slim drawer sides with 90° straight interior sides.

Crystal Plus Frame pull out



Pull out for large insert elements from any materials of 8 mm thickness, which can be easily mounted thanks to clip-on system.

Individualisation possibilities



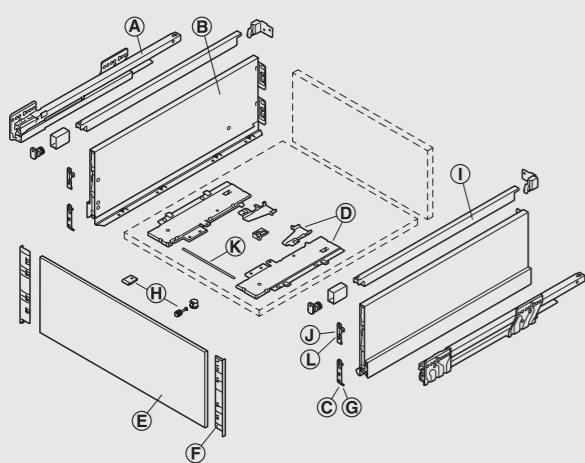
The gradation on the drawer side can be used for the placement of design strips on site that will lend the furniture a bespoke character.

Drawer and Pull Out for Door Front Fixing

DGH-M 2017, HDE-en, 10/16; Dimensional data not binding. We reserve the right to alter specifications without notice.

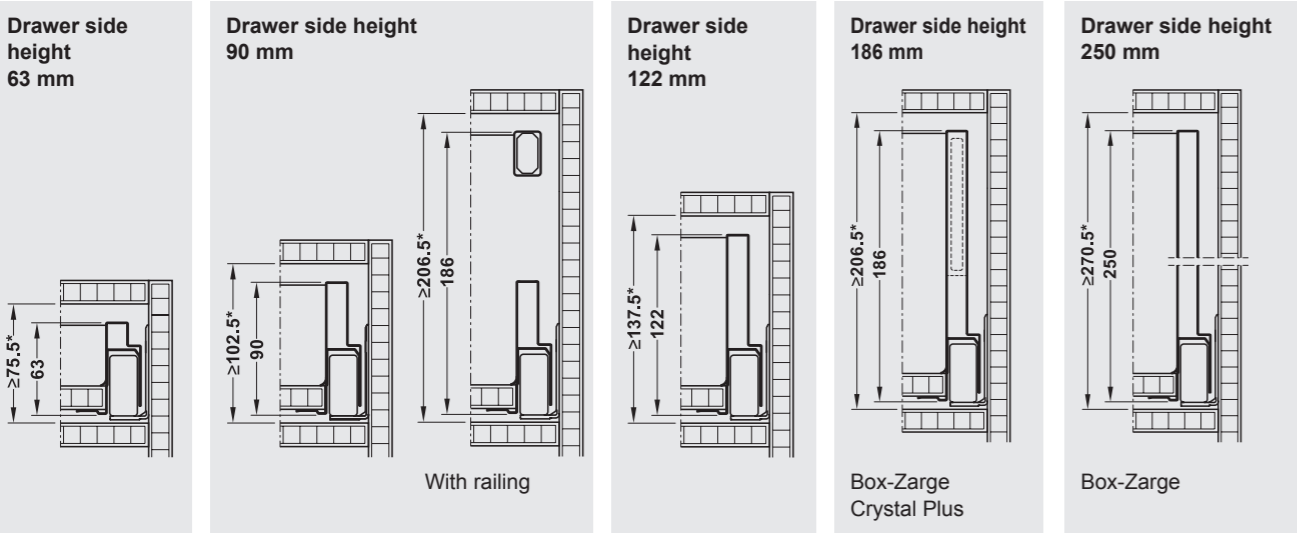


Definition



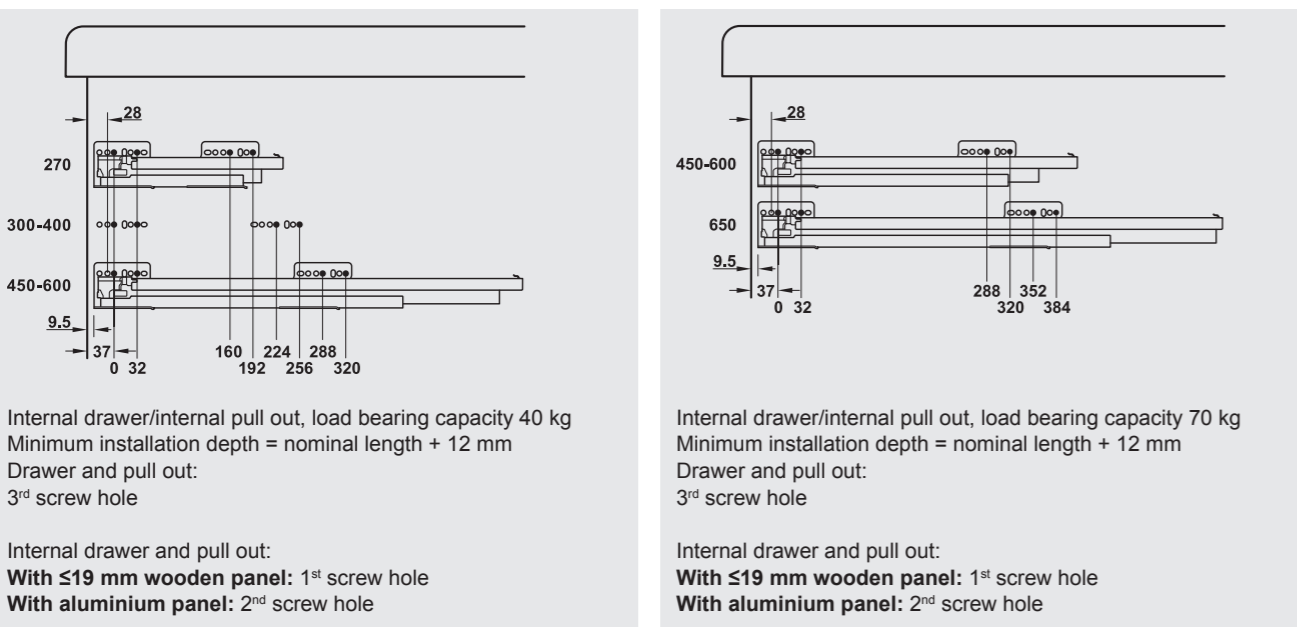
- A Nova Pro Soft-close cabinet rail
- B Nova Pro Scala drawer sides
- C Hook for wooden fronts, for screw fixing
- D Tipmatic Soft-close opening system
- E Internal panel for internal drawer
- F Cover cap for F8 internal panel
- G Hook for F8 internal panel
- H Front base connector for F8 internal panel/for wooden base panel
- I Rectangular gallery rail
- J Front bracket for wooden fronts, for screw fixing
- K Synchronisation rod
- L Front bracket for F8 internal panel

Drawer side design



\* add 9 mm when used with Tipmatic Soft-close opening system

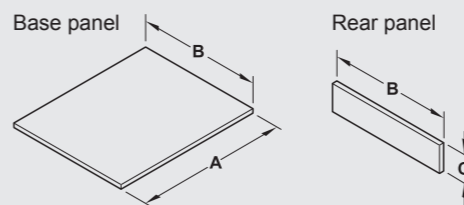
Drilling pattern for cabinet



DGH-M 2017, HDE-en, 10/16; Dimensional data not binding. We reserve the right to alter specifications without notice.



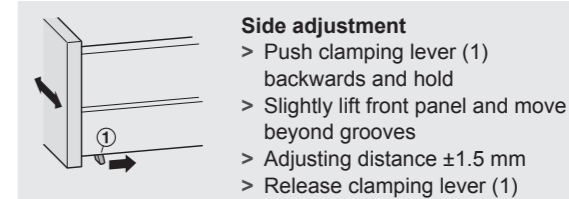
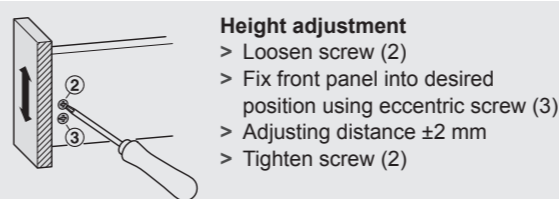
Cutting dimensions for panels (panel thickness of 16 mm)



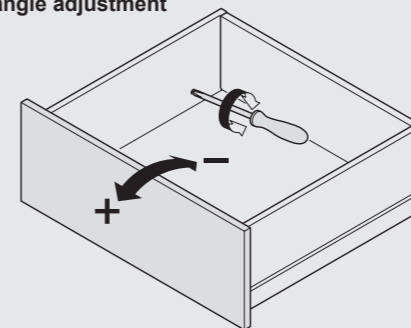
Key  
A = nominal length – 19 mm  
B = internal cabinet width – 58 mm  
C = see table

Drawer side height	Rear panel height C
63 mm	57 mm
90 mm	84 mm
122 mm	116 mm
186 mm	185 mm
90 mm with rectangular gallery rail	185 mm
Crystal Plus	185 mm
250 mm	249 mm

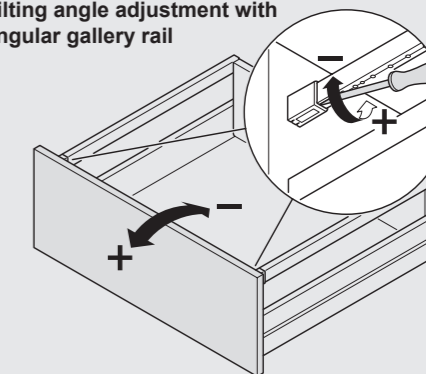
Adjustment facilities



H122, H186, H250 and Crystal Plus tilting angle adjustment



H90 tilting angle adjustment with rectangular gallery rail

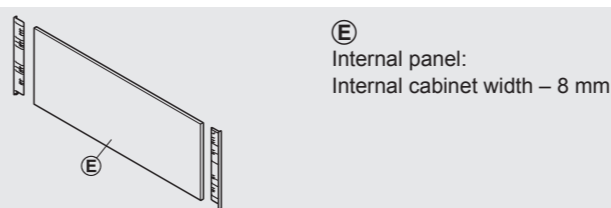


Note: Adjustments must always be carried out on both sides.

Calculation of the internal drawer space dimensions (panel thickness 16 mm)

Internal cabinet width – 58 mm = internal drawer width  
Nominal length – 19 mm = internal drawer depth

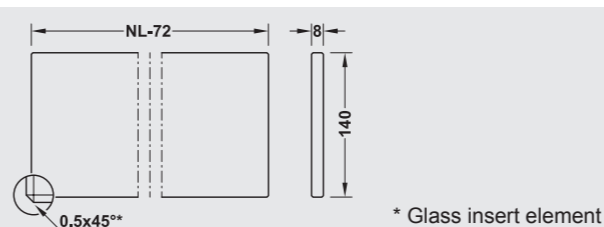
Cutting dimensions for internal pull out



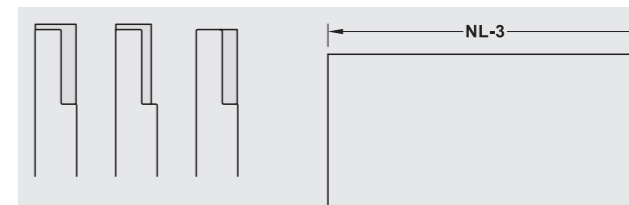
Internal cabinet depth

Min. internal cabinet depth  
Drawer/pull out for door front fixing = nominal length NL + 3 mm  
Internal drawer/internal pull out = nominal length NL + 12 mm

Cut for Crystal Plus insert element



Design and cut of designer strips



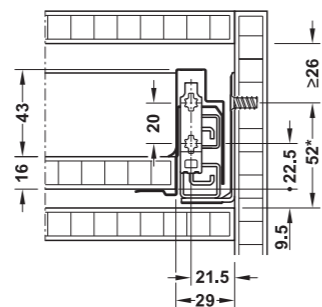
Please see the product page in our online shop for further planning dimensions.

DGH-M 2017, HDE-en, 10/16; Dimensional data not binding. We reserve the right to alter specifications without notice.

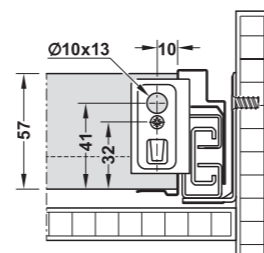
**Drawer**  
Drawer side height 63 mm



Internal installation height



Rear panel installation dimensions



\* Min. dim. 49.5 mm,  
with Tipmatic Soft-close 58 mm

**Installation dimensions**  
Min. internal installation depth = nominal length + 3 mm

> Type of pull out: Full extension,  
with Soft-close soft closing system

**Note**  
For large release area it is recommended to use the synchronisation rod (K).  
The support for the synchronisation rod (K) is required from cabinet width 800 mm.

Nom. length mm	Silver	Ice	Stone
<b>Load bearing capacity 40 kg</b>			
400	551.93.903	551.93.703	551.93.503
450	551.93.904	551.93.704	551.93.504
500	551.93.905	551.93.705	551.93.505
550	551.93.906	551.93.706	551.93.506

Packing: 1 set

**Order reference**  
The Tipmatic Soft-close opening system (D) must be ordered in addition to each set for handle-free opening and soft closing action.

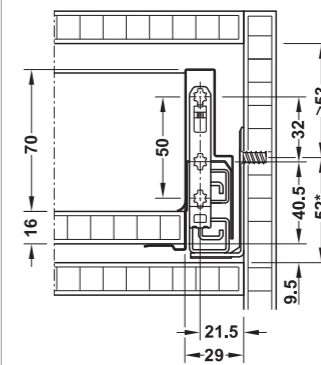
Planning and construction	► MB 9.118
Tipmatic Soft-close opening system (D)	► MB 9.130
Synchronisation rod (K)	► MB 9.130

DGH-M 2017, HDE-en,10/16; Dimensional data not binding. We reserve the right to alter specifications without notice.

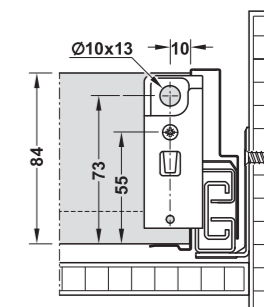
**Drawer**  
Drawer side height 90 mm



Internal installation height



Rear panel installation dimensions



\* Min. dim. 49.5 mm,  
with Tipmatic Soft-close 58 mm

**Installation dimensions**  
Min. internal installation depth = nominal length + 3 mm

> Type of pull out: Full extension,  
with Soft-close soft closing system

**Note**  
For large release area it is recommended to use the synchronisation rod (K).  
The support for the synchronisation rod (K) is required from cabinet width 800 mm.

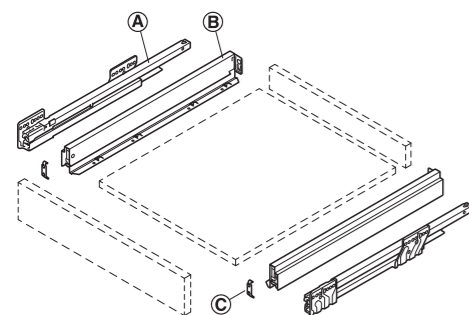
Nom. length mm	Silver	Ice	Stone
<b>Load bearing capacity 40 kg</b>			
270	551.94.900	551.94.700	551.94.500
300	551.94.901	551.94.701	551.94.501
350	551.94.902	551.94.702	551.94.502
400	551.94.903	551.94.703	551.94.503
450	551.94.904	551.94.704	551.94.504
500	551.94.905	551.94.705	551.94.505
550	551.94.906	551.94.706	551.94.506
600	551.94.907	551.94.707	551.94.507
<b>Load bearing capacity 70 kg</b>			
450	551.94.914	551.94.714	551.94.514
500	551.94.915	551.94.715	551.94.515
550	551.94.916	551.94.716	551.94.516
600	551.94.917	551.94.717	551.94.517
650	551.94.918	551.94.718	551.94.518

Packing: 1 set

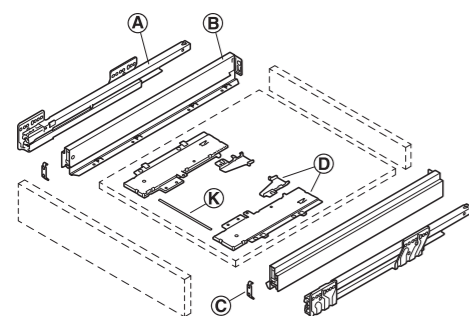
**Order reference**  
The Tipmatic Soft-close opening system (D) must be ordered in addition to each set for handle-free opening and soft closing action.

Planning and construction	► MB 9.118
Tipmatic Soft-close opening system (D)	► MB 9.130
Synchronisation rod (K)	► MB 9.130

DGH-M 2017, HDE-en,10/16; Dimensional data not binding. We reserve the right to alter specifications without notice.

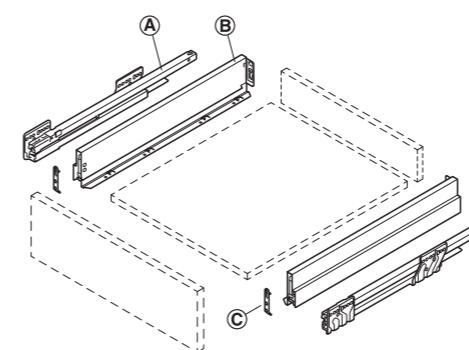


Drawer with Soft-close cabinet rails

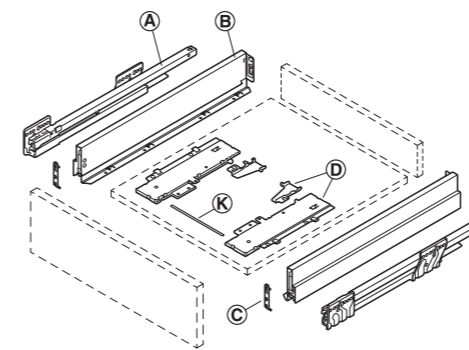


Drawer with Soft-close cabinet rails and Tipmatic Soft-close opening system (D) and synchronisation rod (K)

- Supplied with**
- 1 Pair of cabinet rails (A)
  - 1 Pair of drawer sides with pre-mounted rear panel fitting (B)
  - 2 Hooks for screw fixing (C)



Drawer with Soft-close cabinet rails

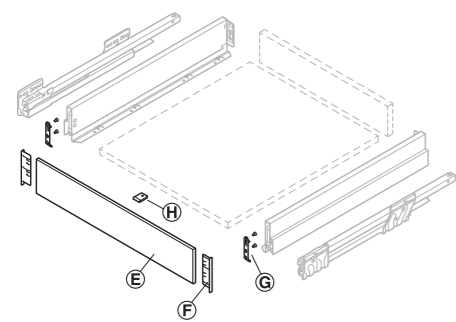


Drawer with Soft-close cabinet rails and Tipmatic Soft-close opening system (D) and synchronisation rod (K)

- Supplied with**
- 1 Pair of cabinet rails (A)
  - 1 Pair of drawer sides with pre-mounted rear panel fitting (B)
  - 2 Hooks for screw fixing (C)



**Internal drawer**  
Drawer side height 90 mm



- (E) F8 internal panel
- (F) F8 cover cap
- (G) Hook
- (H) Front base connector

The complete internal drawer with drawer side height 90 mm consists of F8 internal panel, F8 cover cap, hook for screw fixing and drawer with drawer side height 90 mm.

**Installation dimensions**

Specifications for internal installation height and installation dimensions of the rear panel are identical to the drawer with drawer side height 90 mm.

Min. internal installation depth = nominal length + 12 mm

**Note**

We recommend using 1 front base connector (H) from a cabinet width of 600 mm and above.

We recommend using 2 front base connectors (H) from a cabinet width of 800 mm and above.

The Tipmatic Soft-close opening system can also be used for internal drawers.

Planning and construction	► MB 9.118
Tipmatic Soft-close opening system (D)	► MB 9.130

**→ F8 Internal panel (E)**



- > Material: Aluminium
- > For cabinet width: Max. 1,200 mm
- > Length: 1,160 mm
- > Height: 90 mm
- > Installation: Hooks must be screwed in, panel must be cut to size, length = internal cabinet width – 8 mm

Colour	Cat. No.
Silver	551.89.909
Ice	551.89.709
Stone	551.89.509

Packing: 1 piece

**→ F8 Cover cap (F)**



- > Material: Plastic
- > Installation: For plug fitting into F8 internal panel

Colour	Cat. No.
Silver	551.89.970
Ice	551.89.770
Stone	551.89.570

Packing: 1 piece

**Order reference**

2 F8 cover caps are required for 1 internal drawer.

**→ Hooks for screw fixing (G)**



- > Material: Steel
- > Supplied with: With sheet metal screws

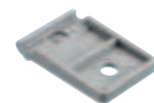
Finish	Cat. No.
Galvanized	551.90.910

Packing: 1 piece

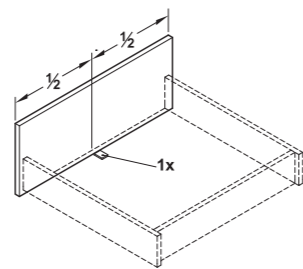
**Order reference**

2 hooks are required for 1 internal drawer/internal pull out.

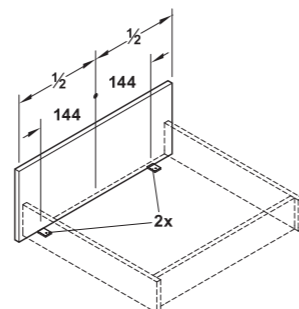
**→ Front base connector for F8 internal panel (H)**



- > Material: Plastic
- > Area of application: For stabilising the internal panel of internal drawers and pull outs with width of 600 mm and above



Cabinet width 600–800 mm



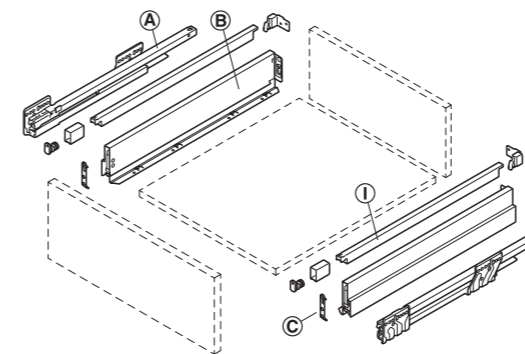
Cabinet width 800-1200 mm

Colour	Cat. No.
Grey	551.90.570

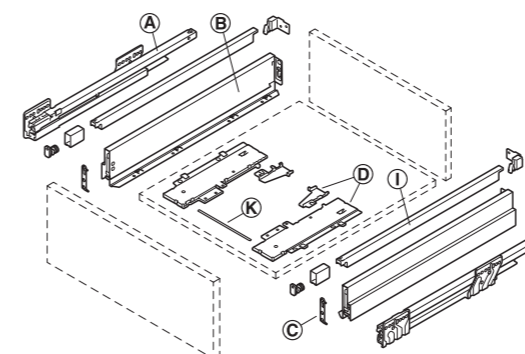
Packing: 1 piece

DGH-M 2017, HDE-en,10/16; Dimensional data not binding. We reserve the right to alter specifications without notice.

**Pull out for door front fixing**  
Drawer side height 90 mm, with rectangular gallery rail



Pull out for door front fixing with Soft-close cabinet rails



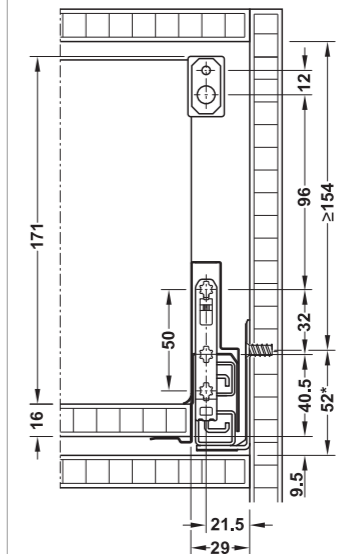
Pull out for door front fixing with Soft-close cabinet rails and Tipmatic Soft-close opening system (D) and synchronisation rod (K)

**Supplied with**

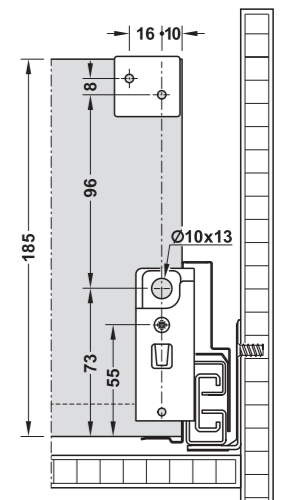
- 1 Pair of cabinet rails (A)
- 1 Pair of drawer sides with pre-mounted rear panel fitting (B)
- 2 Hooks for screw fixing (C)
- 1 Set of rectangular gallery rails with fixing material (I)

DGH-M 2017, HDE-en,10/16; Dimensional data not binding. We reserve the right to alter specifications without notice.

Internal installation height



Rear panel installation dimensions



\* Min. dim. 49.5 mm, with Tipmatic Soft-close 58 mm

**Installation dimensions**

Min. internal installation depth = nominal length + 3 mm

- > Type of pull out: Full extension, with Soft-close soft closing system

**Note**

For large release area it is recommended to use the synchronisation rod (K).

The support for the synchronisation rod (K) is required from cabinet width 800 mm.

Nom. length mm	Silver	Ice	Stone
<b>Load bearing capacity 40 kg</b>			
270	551.94.920	551.94.720	551.94.520
300	551.94.921	551.94.721	551.94.521
350	551.94.922	551.94.722	551.94.522
400	551.94.923	551.94.723	551.94.523
450	551.94.924	551.94.724	551.94.524
500	551.94.925	551.94.725	551.94.525
550	551.94.926	551.94.726	551.94.526
600	551.94.927	551.94.727	551.94.527
<b>Load bearing capacity 70 kg</b>			
450	551.94.934	551.94.734	551.94.534
500	551.94.935	551.94.735	551.94.535
550	551.94.936	551.94.736	551.94.536
600	551.94.937	551.94.737	551.94.537
650	551.94.938	551.94.738	551.94.538

Packing: 1 set

**Order reference**

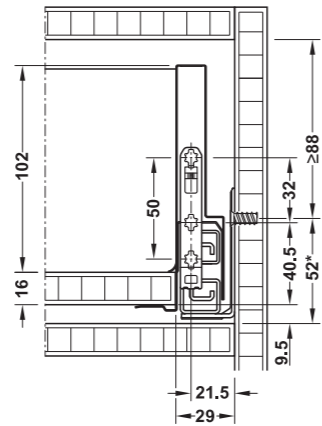
The Tipmatic Soft-close opening system (D) must be ordered in addition to each set for handle-free opening and soft closing action.

Planning and construction	► MB 9.118
Tipmatic Soft-close opening system (D)	► MB 9.130
Synchronisation rod (K)	► MB 9.130

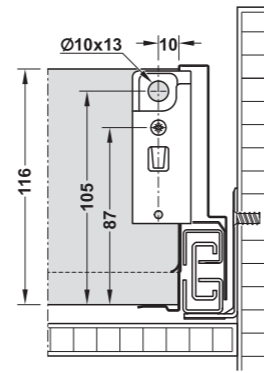
**Drawer**  
Drawer side height 122 mm



Internal installation height



Rear panel installation dimensions



\* Min. dim. 49.5 mm,  
with Tipmatic Soft-close 58 mm

**Installation dimensions**

Min. internal installation depth = nominal length + 3 mm

> Type of pull out: Full extension,  
with Soft-close soft closing system

**Note**

For large release area it is recommended to use the synchronisation rod (K).  
The support for the synchronisation rod (K) is required from cabinet width 800 mm.

Nom. length mm	Silver	Ice	Stone
<b>Load bearing capacity 40 kg</b>			
400	551.95.903	551.95.703	551.95.503
450	551.95.904	551.95.704	551.95.504
500	551.95.905	551.95.705	551.95.505
550	551.95.906	551.95.706	551.95.506
600	551.95.907	551.95.707	551.95.507
<b>Load bearing capacity 70 kg</b>			
450	551.95.914	551.95.714	551.95.514
500	551.95.915	551.95.715	551.95.515
550	551.95.916	551.95.716	551.95.516
600	551.95.917	551.95.717	551.95.517

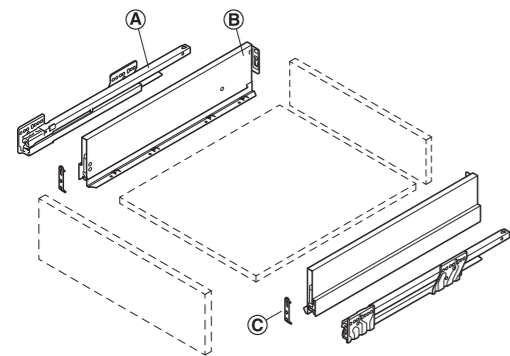
Packing: 1 set

**Order reference**

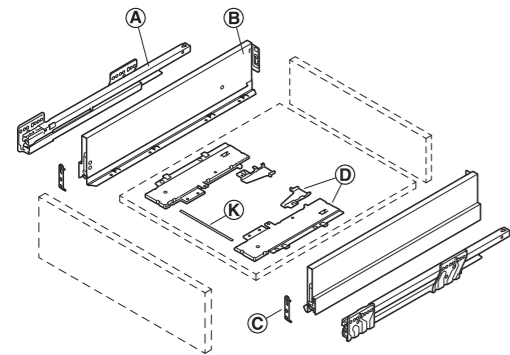
The Tipmatic Soft-close opening system (D) must be ordered in addition to each set for handle-free opening and soft closing action.

Planning and construction	► MB 9.118
Tipmatic Soft-close opening system (D)	► MB 9.130
Synchronisation rod (K)	► MB 9.130

DGH-M 2017, HDE-en,10/16; Dimensional data not binding. We reserve the right to alter specifications without notice.



Pull out for door front fixing with Soft-close cabinet rails



Pull out for door front fixing with Soft-close cabinet rails and Tipmatic Soft-close opening system (D) and synchronisation rod (K)

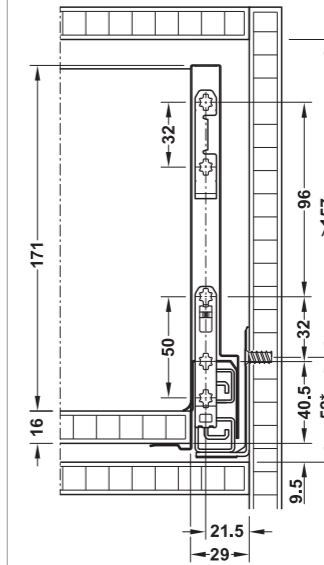
**Supplied with**

- 1 Pair of cabinet rails (A)
- 1 Pair of drawer sides with pre-mounted rear panel fitting (B)
- 2 Hooks for screw fixing (C)

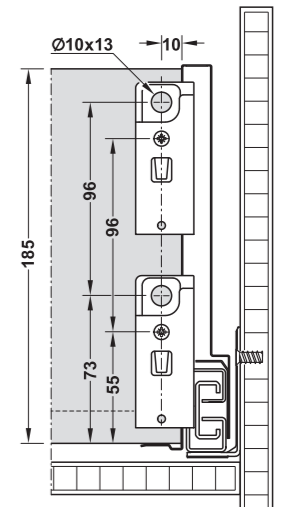
**Pull out for door front fixing**  
Drawer side height 186 mm



Internal installation height



Rear panel installation dimensions



\* Min. dim. 49.5 mm,  
with Tipmatic Soft-close 58 mm

**Installation dimensions**

Min. internal installation depth = nominal length + 3 mm

> Type of pull out: Full extension,  
with Soft-close soft closing system

**Note**

For large release area it is recommended to use the synchronisation rod (K).  
The support for the synchronisation rod (K) is required from cabinet width 800 mm.

Nom. length mm	Silver	Ice	Stone
<b>Load bearing capacity 40 kg</b>			
270	551.96.900	551.96.700	551.96.500
300	551.96.901	551.96.701	551.96.501
350	551.96.902	551.96.702	551.96.502
400	551.96.903	551.96.703	551.96.503
450	551.96.904	551.96.704	551.96.504
500	551.96.905	551.96.705	551.96.505
550	551.96.906	551.96.706	551.96.506
600	551.96.907	551.96.707	551.96.507
<b>Load bearing capacity 70 kg</b>			
450	551.96.914	551.96.714	551.96.514
500	551.96.915	551.96.715	551.96.515
550	551.96.916	551.96.716	551.96.516
600	551.96.917	551.96.717	551.96.517
650	551.96.918	551.96.718	551.96.518

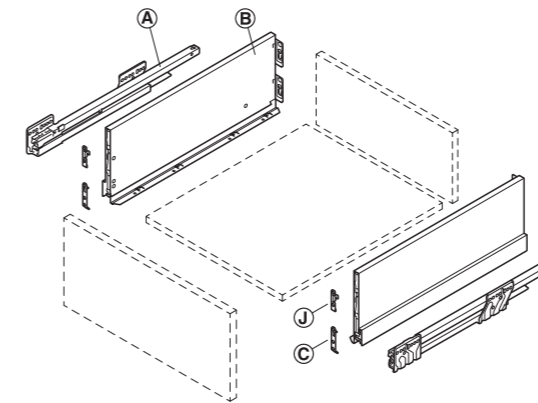
Packing: 1 set

**Order reference**

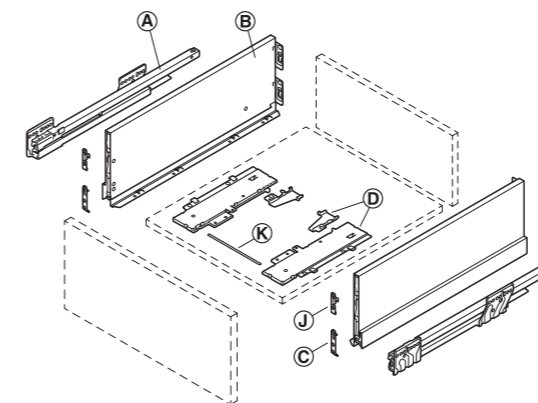
The Tipmatic Soft-close opening system (D) must be ordered in addition to each set for handle-free opening and soft closing action.

Planning and construction	► MB 9.118
Tipmatic Soft-close opening system (D)	► MB 9.130
Synchronisation rod (K)	► MB 9.130

> High stability for front height up to 780 mm



Pull out for door front fixing with Soft-close cabinet rails



Pull out for door front fixing with Soft-close cabinet rails and Tipmatic Soft-close opening system (D) and synchronisation rod (K)

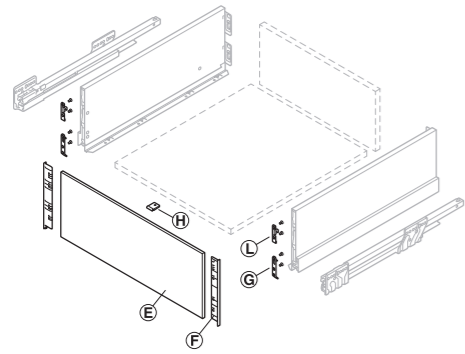
**Supplied with**

- 1 Pair of cabinet rails (A)
- 1 Pair of drawer sides with pre-mounted rear panel fitting (B)
- 2 Hooks for screw fixing (C)
- 2 Front brackets for screw fixing (J)

DGH-M 2017, HDE-en,10/16; Dimensional data not binding. We reserve the right to alter specifications without notice.



**Internal pull out**  
Drawer side height 186 mm



- Ⓔ F8 internal panel
- Ⓕ F8 cover cap
- Ⓖ Hook
- Ⓗ Front base connector
- Ⓖ Front bracket

The complete internal pull out with drawer side height 186 mm consists of F8 internal panel, F8 cover cap, hook for screw fixing, front bracket for screw fixing and pull out for door front fixing with drawer side height 186 mm.

**Installation dimensions**

Specifications for internal installation height and installation dimensions of the rear panel are identical to the pull out for door front fixing with drawer side height 186 mm.  
Min. internal installation depth = nominal length + 12 mm

**Note**

We recommend using 1 front base connector (H) from a cabinet width of 600 mm and above.  
We recommend using 2 front base connectors (H) from a cabinet width of 800 mm and above.  
The Tipmatic Soft-close opening system can also be used for internal pull outs.

Planning and construction	► MB 9.118
Tipmatic Soft-close opening system (D)	► MB 9.130
Front base connector (H)	► MB 9.129

**→ F8 Internal panel (E)**



- > Material: Aluminium
- > For cabinet width: Max. 1,200 mm
- > Length: 1,160 mm
- > Height: 186 mm
- > Installation: Hooks must be screwed in, panel must be cut to size, length = internal cabinet width – 8 mm

Colour	Cat. No.
Silver	551.89.919
Ice	551.89.719
Stone	551.89.519

Packing: 1 piece

**→ F8 Cover cap (F)**



- > Material: Plastic
- > Installation: For plug fitting into F8 internal panel

Colour	Cat. No.
Silver	551.89.971
Ice	551.89.771
Stone	551.89.571

Packing: 1 piece

**Order reference**

2 F8 cover caps are required for 1 internal drawer.

**→ Hooks for screw fixing (G)**



- > Material: Steel
- > Supplied with: With sheet metal screws

Finish	Cat. No.
Galvanized	551.90.910

Packing: 1 piece

**Order reference**

2 hooks are required for 1 internal drawer/internal pull out.

**→ Front bracket for screw fixing (L)**



- > Material: Steel
- > Supplied with: With sheet metal screws

Finish	Cat. No.
Galvanized	551.90.940

Packing: 1 piece

**Order reference**

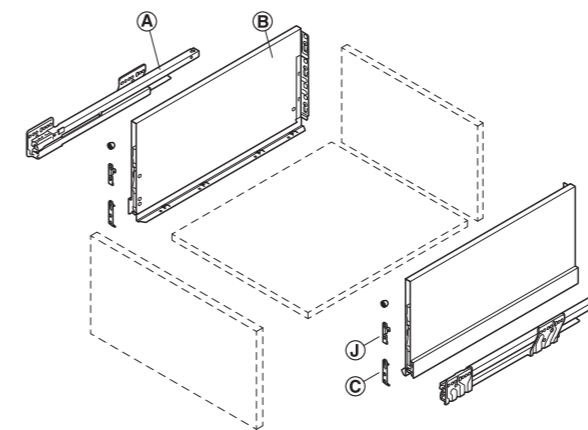
2 front brackets are required for 1 internal pull out.

DGH-M 2017, HDE-en,10/16; Dimensional data not binding. We reserve the right to alter specifications without notice.

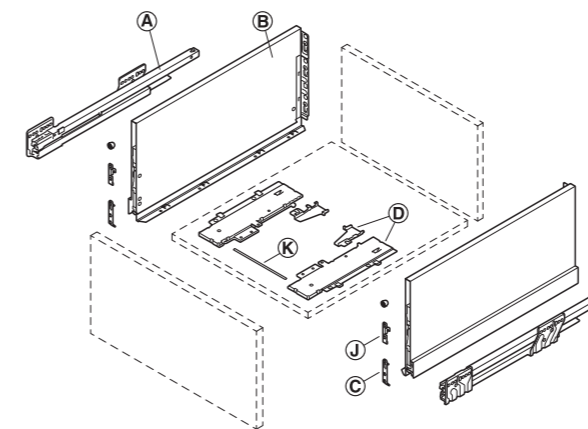
**Pull out for door front fixing**  
Drawer side height 250 mm



> High stability for front height up to 780 mm



Pull out for door front fixing with Soft-close cabinet rails



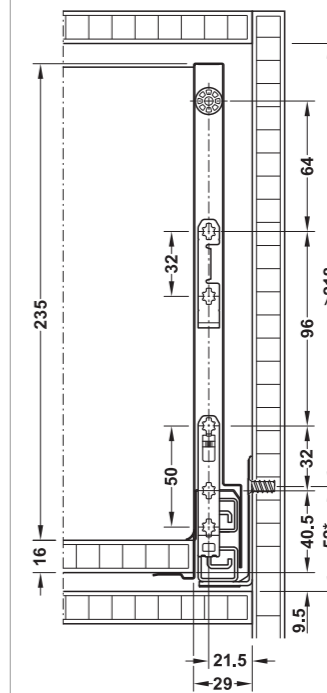
Pull out for door front fixing with Soft-close cabinet rails and Tipmatic Soft-close opening system (D) and synchronisation rod (K)

**Supplied with**

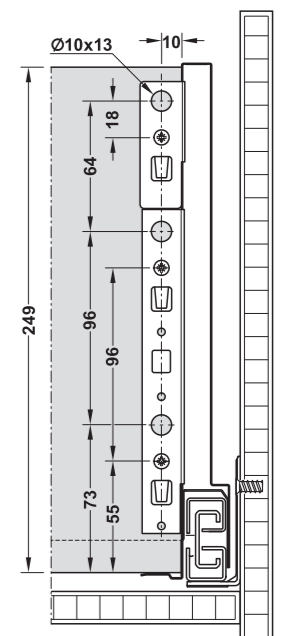
- 1 pair of cabinet rails (A)
- 1 pair of drawer sides with pre-mounted rear panel fitting (B)
- 2 hooks for screw fixing (C)
- 2 front brackets for screw fixing (L)

DGH-M 2017, HDE-en,10/16; Dimensional data not binding. We reserve the right to alter specifications without notice.

**Internal installation height**



**Rear panel installation dimensions**



\* Min. dim. 49.5 mm, with Tipmatic Soft-close 58 mm

**Installation dimensions**

Min. internal installation depth = nominal length + 3 mm

- > Type of pull out: Full extension, with Soft-close soft closing system

**Note**

For large release area it is recommended to use the synchronisation rod (K).  
The support for the synchronisation rod (K) is required from cabinet width 800 mm.

Nom. length mm	Silver	Ice	Stone
<b>Load bearing capacity 40 kg</b>			
400	551.99.963	551.99.763	551.99.563
450	551.99.964	551.99.764	551.99.564
500	551.99.965	551.99.765	551.99.565
550	551.99.966	551.99.766	551.99.566
600	551.99.967	551.99.767	551.99.567
<b>Load bearing capacity 70 kg</b>			
450	551.99.974	551.99.774	551.99.574
500	551.99.975	551.99.775	551.99.575
550	551.99.976	551.99.776	551.99.576
600	551.99.977	551.99.777	551.99.577

Packing: 1 set

**Order reference**

The Tipmatic Soft-close opening system (D) must be ordered in addition to each set for handle-free opening and soft closing action.

Grass Nova Pro Scala planning and installation	► MB 9.118
Tipmatic Soft-close opening system (D)	► MB 9.130
Synchronisation rod (K)	► MB 9.130

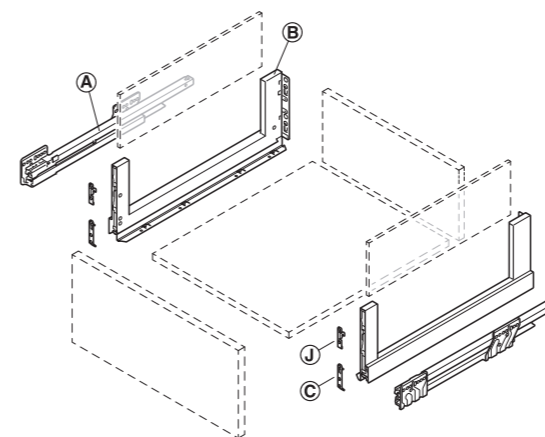


DIESE SEITE WURDE BEWUSST  
LEER GELASSEN  
INTENTIONAL BLANK PAGE

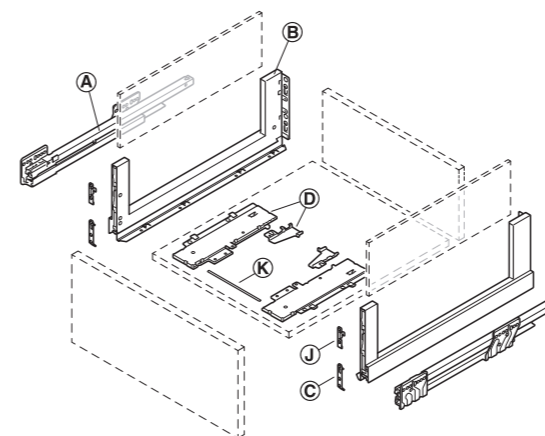
**Crystal Plus Frame Pull out**  
Drawer side height 186 mm



- > High stability for front height up to 780 mm
- > For large insert elements made from any material with thickness of 8 mm
- > Insert elements are clipped in without tools



Frame pull out with Soft-close cabinet rails



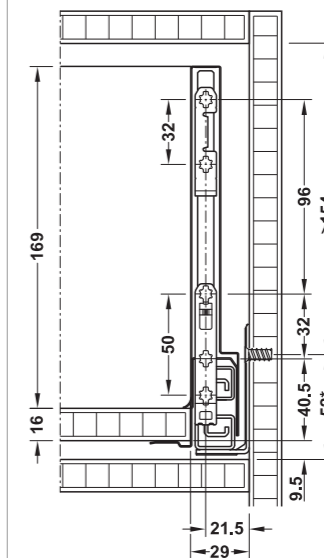
Frame pull out with Soft-close cabinet rails and Tipmatic Soft-close opening system (D) and synchronisation rod (K)

**Supplied with**

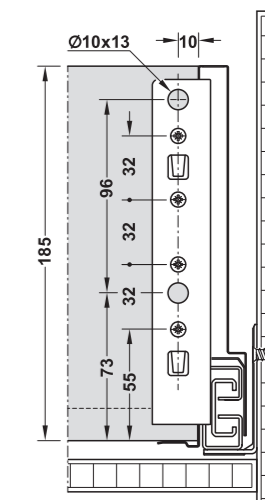
- 1 Pair of cabinet rails (A)
- 1 Pair of Crystal Plus drawer sides with pre-mounted rear panel fitting (B)
- 2 Hooks for screw fixing (C)
- 2 Front brackets for screw fixing (J)

DGH-M 2017, HDE-en, 10/16; Dimensional data not binding. We reserve the right to alter specifications without notice.

Internal installation height



Rear panel installation dimensions



\* Min. dim. 49.5 mm,  
with Tipmatic Soft-close 58 mm

**Installation dimensions**

Min. internal installation depth = nominal length + 3 mm

- > Type of pull out: Full extension,  
with Soft-close soft closing system

**Note**

For large release area it is recommended to use the synchronisation rod (K).  
The support for the synchronisation rod (K) is required from cabinet width 800 mm.

Nom. length mm	Silver	Ice	Stone
<b>Load bearing capacity 40 kg</b>			
270	551.98.900	551.98.700	551.98.500
300	551.98.901	551.98.701	551.98.501
350	551.98.902	551.98.702	551.98.502
400	551.98.903	551.98.703	551.98.503
450	551.98.904	551.98.704	551.98.504
500	551.98.905	551.98.705	551.98.505
550	551.98.906	551.98.706	551.98.506
600	551.98.907	551.98.707	551.98.507
<b>Load bearing capacity 70 kg</b>			
450	551.98.914	551.98.714	551.98.514
500	551.98.915	551.98.715	551.98.515
550	551.98.916	551.98.716	551.98.516
600	551.98.917	551.98.717	551.98.517
650	551.98.918	551.98.718	551.98.518

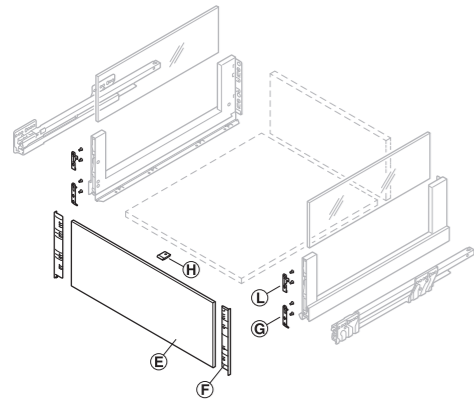
Packing: 1 set

**Order reference**

The Tipmatic Soft-close opening system (D) must be ordered in addition to each set for handle-free opening and soft closing action.

Planning and construction	► MB 9.118
Information on insert element	► MB 9.119
Tipmatic Soft-close opening system (D)	► MB 9.130
Synchronisation rod (K)	► MB 9.130

**Crystal Plus Internal pull out**  
Drawer side height 186 mm



- Ⓔ F8 internal panel      The complete Crystal Plus internal pull out consists of F8 internal panel, F8 cover cap, hook for screw fixing, front bracket for screw fixing and Crystal Plus Frame pull out.
- Ⓕ F8 cover cap
- Ⓖ Hook
- Ⓗ Front base connector
- Ⓛ Front bracket

**Installation dimensions**

Specifications for internal installation height and installation dimensions of the rear panel are identical to the pull out for door front fixing with drawer side height 186 mm.

Min. internal installation depth = nominal length + 12 mm

**Note**

We recommend using 1 front base connector Ⓗ from a cabinet width of 600 mm and above.

We recommend using 2 front base connectors Ⓗ from a cabinet width of 800 mm and above.

The Tipmatic Soft-close opening system can also be used for internal pull outs.

Planning and construction	▶ MB 9.118
Tipmatic Soft-close opening system Ⓓ	▶ MB 9.130
Front base connector Ⓗ	▶ MB 9.129

→ **F8 Internal panel Ⓔ**



**Installation dimensions**

Specifications for internal installation height and installation dimensions of the rear panel are identical to the pull out for door front fixing with drawer side height 186 mm.

- > Material: Aluminium
- > For cabinet width: Max. 1,200 mm
- > Length: 1,160 mm
- > Height: 186 mm
- > Installation: Hooks must be screwed in, panel must be cut to size, length = internal cabinet width – 8 mm

Colour	Cat. No.
Silver	551.89.919
Ice	551.89.719
Stone	551.89.519

Packing: 1 piece

→ **F8 Cover cap Ⓕ**



- > Material: Plastic
- > Installation: For plug fitting into F8 internal panel

Colour	Cat. No.
Silver	551.89.971
Ice	551.89.771
Stone	551.89.571

Packing: 1 piece

**Order reference**

2 F8 cover caps are required for 1 internal drawer.

→ **Hooks for screw fixing Ⓖ**



- > Material: Steel
- > Supplied with: With sheet metal screws

Finish	Cat. No.
Galvanized	551.90.910

Packing: 1 piece

**Order reference**

2 hooks are required for 1 internal drawer/internal pull out.

→ **Front bracket for screw fixing Ⓛ**



- > Material: Steel
- > Supplied with: With sheet metal screws

Finish	Cat. No.
Galvanized	551.90.940

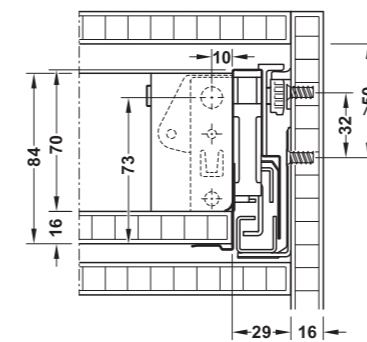
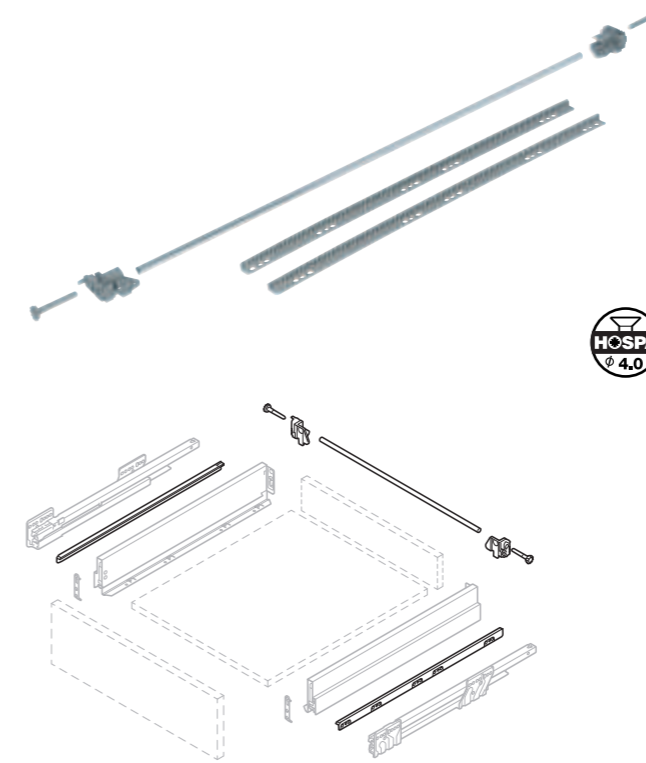
Packing: 1 piece

**Order reference**

2 front brackets are required for 1 internal pull out.

DGH-M 2017, HDE-en,10/16; Dimensional data not binding. We reserve the right to alter specifications without notice.

**Nova Pro P600 Parallel control**



**Note**

The design level cannot be achieved with designer strips when using the parallel control.

- > Area of application: For increasing the stability of extra wide drawers and pull outs for door front fixing
- > Side panel thickness: 16 or 19 mm
- > Material: Torsion rod: Aluminium, bearing blocks and running rails: Plastic
- > For cabinet depth: Nominal length + 19 mm
- > Installation: For screw fixing

**Supplied with**

- 1 Torsion rod
- 1 Pair of bearing blocks with cog
- 1 Pair of running rails
- 1 Set of installation instructions

DGH-M 2017, HDE-en,10/16; Dimensional data not binding. We reserve the right to alter specifications without notice.

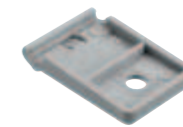
For nominal length mm	Cat. No.
<b>For cabinet width 900 mm</b>	
450	557.99.812
500	557.99.822
550	557.99.832
600	557.99.842
650	557.99.852
<b>For cabinet width 1000 mm</b>	
450	557.99.813
500	557.99.823
550	557.99.833
600	557.99.843
650	557.99.853
<b>For cabinet width 1200 mm</b>	
450	557.99.815
500	557.99.825
550	557.99.835
600	557.99.845
650	557.99.855

Packing: 1 set

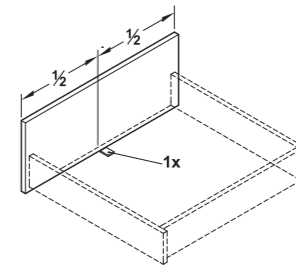
**Order reference**

Processing aids for Nova Pro available on request.

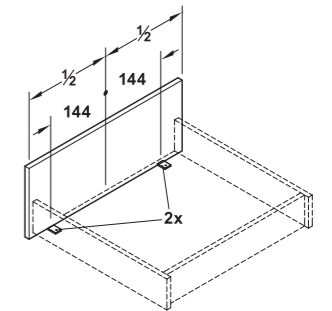
**Front base connector for F8 internal panel Ⓗ**



- > Material: Plastic
- > Area of application: For stabilising the internal panel of internal drawers and pull outs with width of 600 mm and above



Cabinet width 600–800 mm



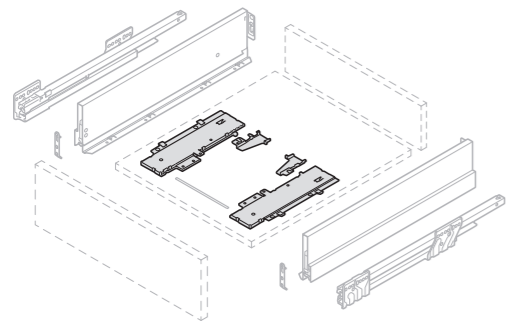
Cabinet width 800–1200 mm

Colour	Cat. No.
Grey	551.90.570

Packing: 1 piece



Tipmatic Soft-close opening system **(D)** for Nova Pro Scala



- > Touch to open and gentle closing perfectly combined
- > Large release area provided by synchronisation rod
- > Opening and closing function combined in one unit
- > Same unit for all nominal lengths and weight classes thanks to 3-way adjustment of the ejection force

**Note**  
For large release area it is recommended to use the synchronisation rod **(K)**.  
The support for the synchronisation rod **(K)** is required from cabinet width 800 mm.

- > Area of application: For drawers and pull outs for door front fixing, with Soft-close soft closing system, for all nominal lengths and weight classes -1/+3 mm
- > Depth adjustment: -1/+3 mm
- > Installation: The eject unit is attached to the drawer sides without tools and secured with screw
- > Minimum front gap 2.5 mm

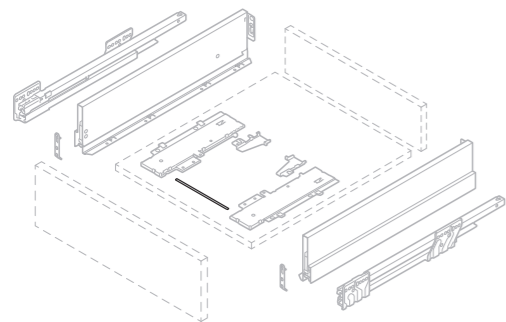
**Supplied with**  
1 Tipmatic Soft-close eject unit  
2 followers

	Cat. No.
Tipmatic Soft-close eject unit	551.80.000

Packing: 1 set

**Order reference**  
Synchronisation rod **(K)** not supplied, please order separately.

→ **Synchronisation rod (K)**

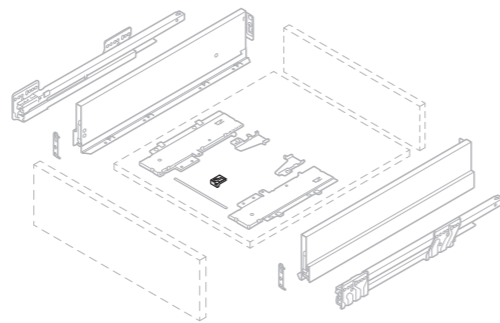


- > Material: Aluminium
- > Installation: For cutting to size: Internal cabinet width - 206 mm, on Tipmatic Soft-close eject unit without tools

For cabinet width mm	Cat. No.
600	551.90.160
1200	551.90.161

Packing: 1 piece

→ **Support**

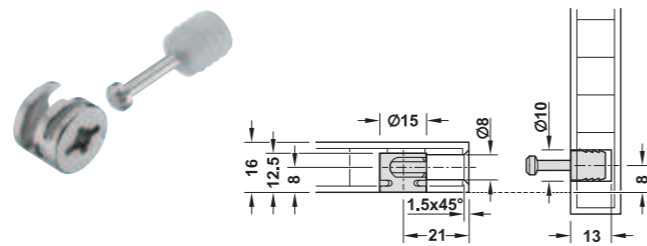


**Note**  
Support is required for cabinet width from 800 mm.

- > Material: Plastic
- > Installation: For screw fixing to drawer base panel

Colour	Cat. No.
Grey	551.80.005

**Front base connector (H)**



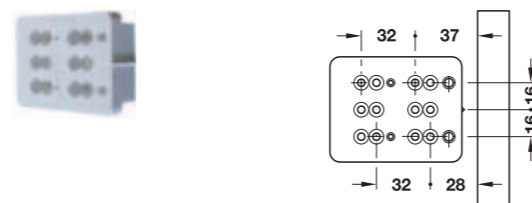
Allows side and height adjustment of the front panel after installation

- > Area of application: For stabilisation of the front panel with drawers and pull outs for door front fixing from width of 800 mm and above
- > Installation: The ball bearing allows adjusting the gap pattern also after installation

	Cat. No.
Front base connector	558.20.795

Packing: 1 piece

**P600 Spacer**  
For internal drawer



- > Area of application: To compensate for door offset
- > Version: Drilling pattern suitable for all Nova Pro drawer side runner systems
- > Mounting: Left or right
- > Thickness: 25 mm

Colour	Cat. No.
White, RAL 9010	558.00.000

Packing: 1 or 20 pieces

DGH-M 2017, HDE-en,10/16; Dimensional data not binding. We reserve the right to alter specifications without notice.

**Designer strip**



Designer strip, black, open-pored, drawer side height 90 mm



Designer strip, white, open-pored, drawer side height 186 mm



For drawer side height 90 mm

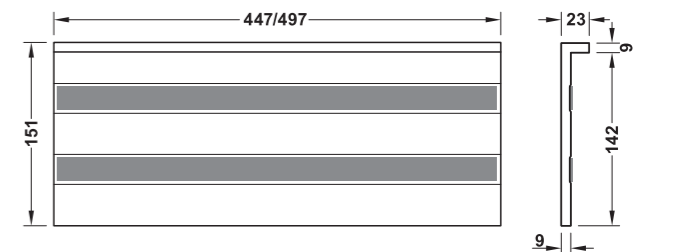
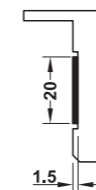
→ **For nominal length 500 mm**

- > Area of application: Other design options for Grass Nova Pro Scala drawer sides (not suitable for use with internal drawers), for nominal length 500 mm
- > Material: MDF board coated
- > Installation: For attaching to Grass Nova Pro Scala drawer sides, the required magnetic strip is pre-mounted

→ **Length 2,100 mm**

- > Area of application: Other design options for Grass Nova Pro Scala drawer sides (not suitable for use with internal drawers)
- > Material: MDF board coated
- > Installation: For attaching to Grass Nova Pro Scala drawer sides, the designer strip must be cut to size and glued onto the magnetic strip

→ **Magnetic strip**  
With adhesive tape at rear



For drawer side height 186 mm

For nominal length mm		Cat. No.
500	For drawer side height 90 mm	551.92.*15
	For drawer side height 186 mm	551.92.*35

Packing: 1 piece

**Order reference**  
2 designer strips must be ordered for one drawer.  
When ordering, replace the \* with the colour number of your choice.

Length mm		Cat. No.
2100	For drawer side height 90 mm	551.92.*19
	For drawer side height 186 mm	551.92.*39

Packing: 1 piece

**Order reference**  
2 designer strips must be ordered for one drawer.  
When ordering, replace the \* with the colour number of your choice.  
The Stone, Titanium and Nordic oak finishes with length 2,100 mm are available only on request.  
Magnetic strip not supplied, please order separately

	Length m	Cat. No.
Magnetic strip	30	007.81.498

Packing: 1 piece





Grass Vionaro



H249 pull out for door front fixing/H121 and H89 drawer silver grey

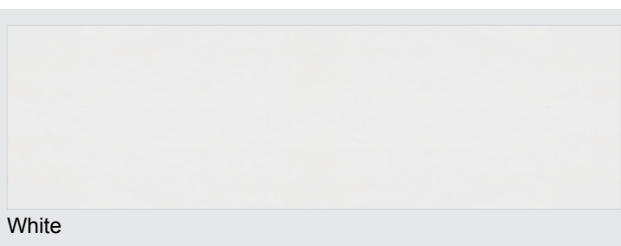


H185 pull out for door front fixing/H89 internal drawer silver grey

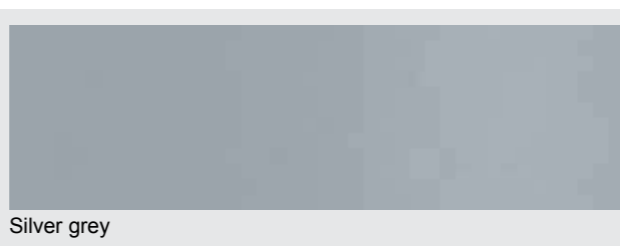
- > Slimline steel or aluminium drawer sides
- > Based on the Grass Dynapro concealed runners
- > Good storage space utilisation thanks to low installation width and 90° straight interior sides
- > Stylish internal panels made from aluminium
- > High stability for front height up to 780 mm (H185, H249)
- > Easy mounting thanks to low part diversity and quick fixing systems
- > Convenient 3D adjustment integrated in drawer sides

- > Material: Steel or aluminium
- > Finish: Cabinet rail: Galvanized, drawer sides: In 2 colours
- > Type of pull out: Dynapro full extension with load bearing capacity 40/70 kg and integrated Soft-close soft closing mechanism. Can be combined with the Tipmatic Soft-close opening system, for opening front panels without handle and dampened closing.

2 drawer side colours are available



White



Silver grey

Product highlights

Modern design



13 mm thin and yet robust and torsion-free drawer sides with smooth side surfaces and minimal edge radii.

Time-saving processing and adjustment



No processing of the base panel is required for the drawer installation. Countless features such as pre-mounted rear panel adapter, base claws and integrated 3D adjustment of processing simplify everything further.

Grass Dynapro concealed runners

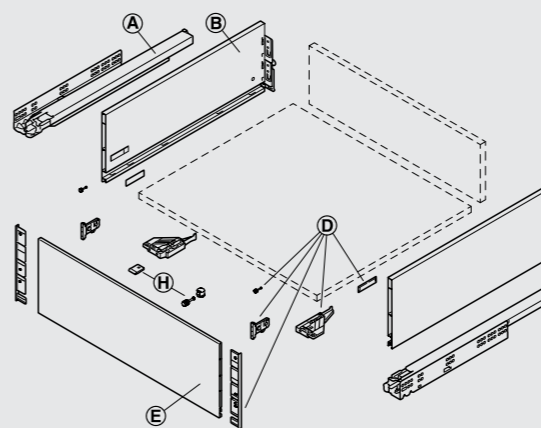


Vionaro relies on the proven Dynapro concealed runners, which are characterised by the particularly low required manual force when opening, gentle floating and noiseless braking.

DGH-M 2017, HDE-en, 10/16; Dimensional data not binding. We reserve the right to alter specifications without notice.



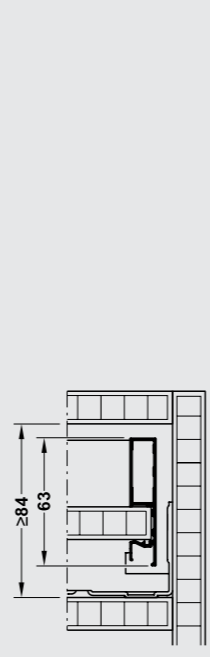
Definition



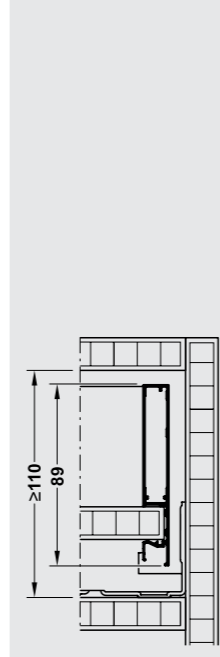
- (A) Dynapro cabinet rail
- (B) Vionaro drawer sides
- (D) Accessories (snap-in couplings, front fixing brackets, front stabiliser, cover caps for drawer sides, cover caps for F8 internal panel)
- (E) FS internal panel
- (H) Front-base connector for F8 internal panel/for wooden shelf

Drawer side design

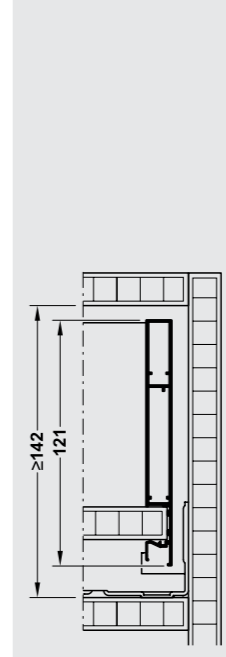
Drawer side height 63 mm



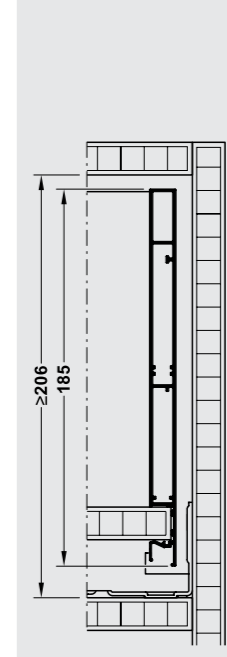
Drawer side height 89 mm



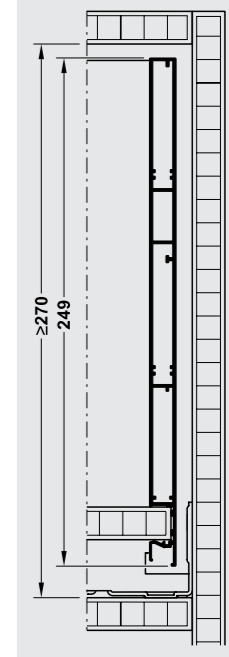
Drawer side height 121 mm



Drawer side height 185 mm

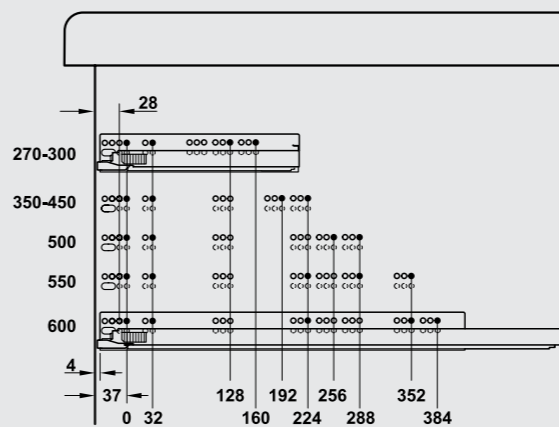


Drawer side height 249 mm

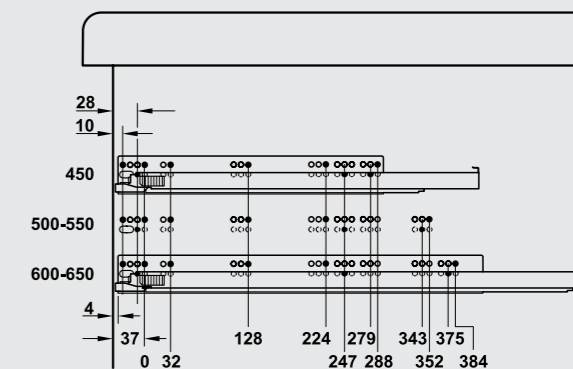


Drilling pattern for cabinet

Drilling pattern for drawer



Load bearing capacity 40 kg  
Minimum installation depth = nominal length + 3 mm



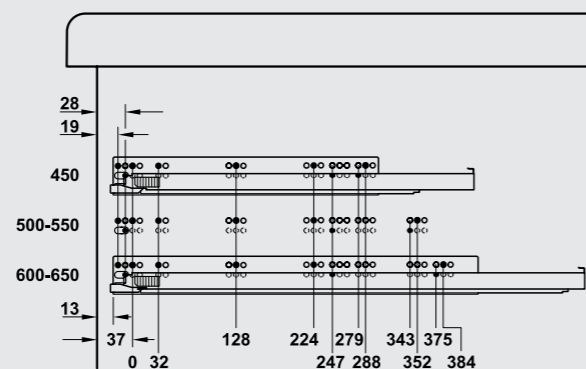
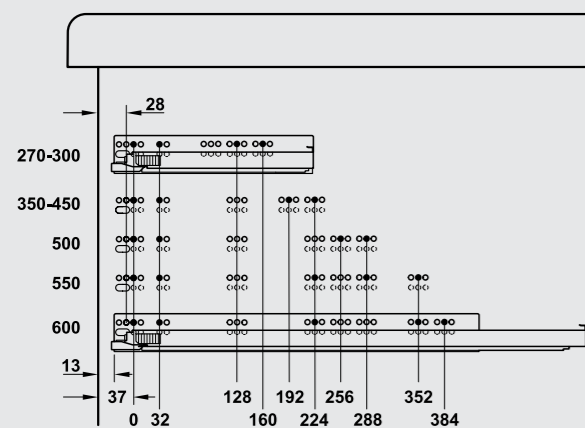
Load bearing capacity 70 kg  
Minimum installation depth = nominal length + 3 mm

DGH-M 2017, HDE-en, 10/16; Dimensional data not binding. We reserve the right to alter specifications without notice.



Drilling pattern for cabinet

Drilling pattern for internal drawer



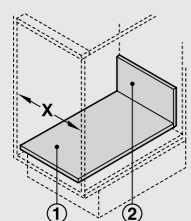
Load bearing capacity 40 kg  
Minimum installation depth = nominal length + 12 mm

Load bearing capacity 70 kg  
Minimum installation depth = nominal length + 12 mm

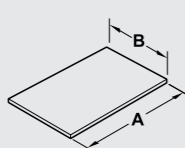
Installation reference

Please observe the manufacturer's installation instructions for screw fixing the cabinet rail (type and size of screws).

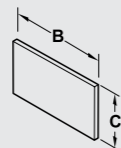
Cutting dimensions for panels (panel thickness of 16 mm)



Key  
A = length  
B = width  
C = height  
X = internal cabinet width  
Y = nominal length



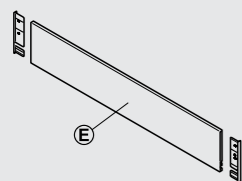
① Drawer base panel:  
A = Y - 11 mm  
B = X - 21 mm



② Rear panel:  
B = X - 42 mm  
C = see table

Drawer side height	Rear panel height C
63 mm	33 mm
89 mm	59 mm
121 mm	91 mm
185 mm	155 mm
249 mm	219 mm

Cutting dimensions for internal panel



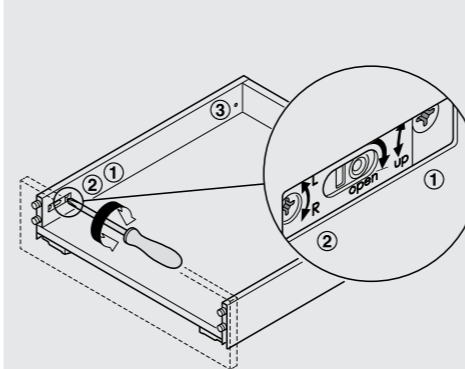
Ⓔ Panel for internal drawer:  
Internal cabinet width - 8 mm

DGH-M 2017, HDE-en, 10/16; Dimensional data not binding. We reserve the right to alter specifications without notice.

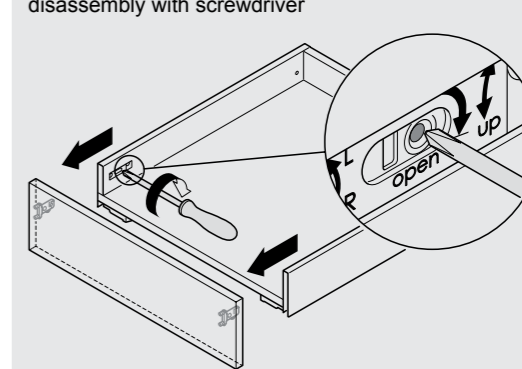


Adjustment facilities

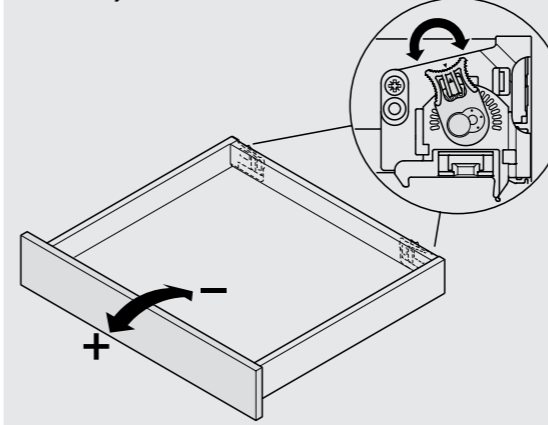
Height and side adjustment



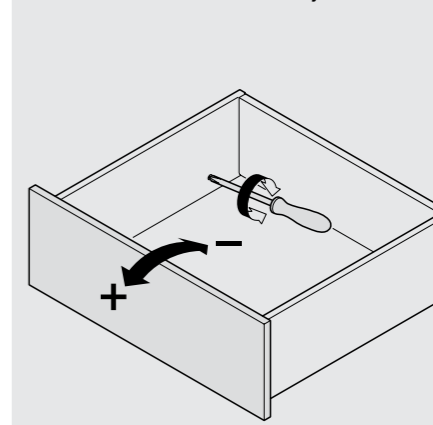
Front panel installation without tools, disassembly with screwdriver



H63 tilt adjustment



H89, H121, H185, H249 tilt adjustment

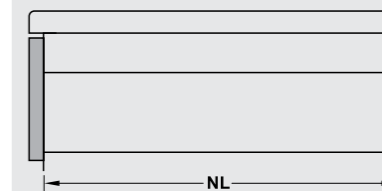


Calculation of the internal drawer space dimensions (panel thickness 16 mm)

Internal cabinet width - 42 mm = internal drawer width  
Nominal length - 27 mm = internal drawer depth

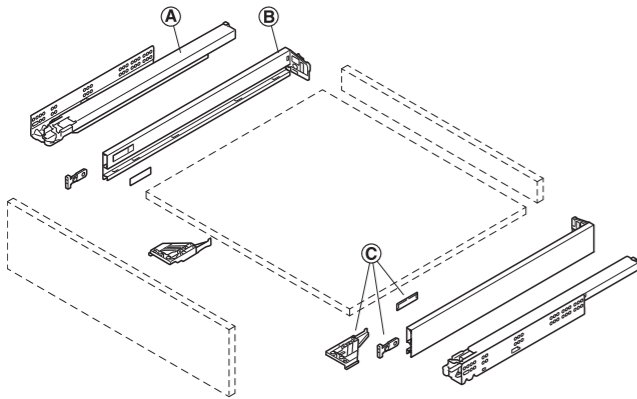
Internal cabinet depth

Min. internal cabinet depth for drawer = nominal length NL + 3 mm  
Min. internal cabinet depth for internal drawer = nominal length NL + 12 mm



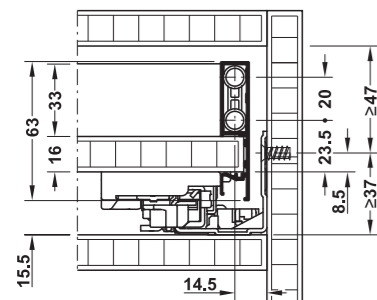
DGH-M 2017, HDE-en, 10/16; Dimensional data not binding. We reserve the right to alter specifications without notice.

**Drawer**  
Drawer side height 63 mm

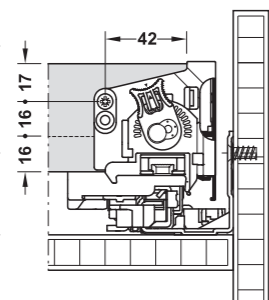


- Drawer  
 (A) Cabinet runners  
 (B) Drawer sides  
 (C) Accessories for drawer

**Internal installation height**



**Rear panel drilling dimensions**



→ **Vionaro H63 Drawer sides (B)**



- > Material: Aluminium
- > Adjustment facility: Integrated 2D adjustment from inside (tilting angle is adjusted from the rear), height +2 to -1 mm, side +1.5 to -1.5 mm, tilting angle +2 to -1 mm

Nom. length mm	Silver grey	White	Graphite
450	550.40.545	550.40.745	550.40.345
500	550.40.550	550.40.750	550.40.350
550	550.40.555	550.40.755	550.40.355

Packing: 1 pair

→ **Dynapro Cabinet runners (A)**

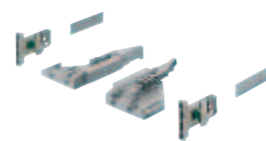


- > Type of pull out: Full extension with Soft-close soft and self closing mechanism
- > Material: Steel
- > Finish: Zinc plated
- > Load bearing capacity: 40 kg

Nom. length mm	Cat. No.
450	433.19.608
500	433.19.610
550	433.19.612

Packing: 1 or 5 pairs

→ **Accessories for drawer (C)**



- Supplied with**
- 1 pair of front fixing brackets
  - 2 cover caps inside
  - 1 pair of snap-in couplings

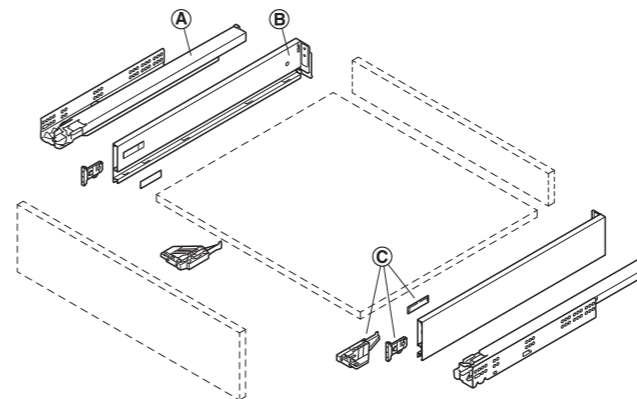
Installation	Silver grey	White	Graphite
For screw fixing	550.47.544	550.47.744	550.47.344

Packing: 1 set

Planning and construction	► MB 9.133
Tipmatic Soft-close opening system	► MB 9.143
Dynapro depth adjustment	► MB 9.231

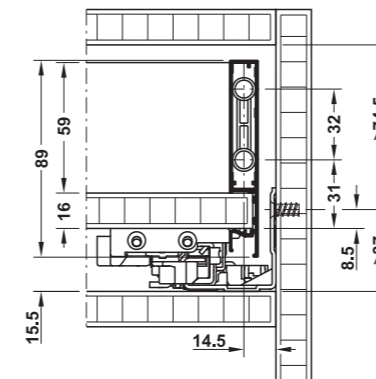
DGH-M 2017, HDE-en,10/16; Dimensional data not binding. We reserve the right to alter specifications without notice.

**Drawer**  
Drawer side height 89 mm

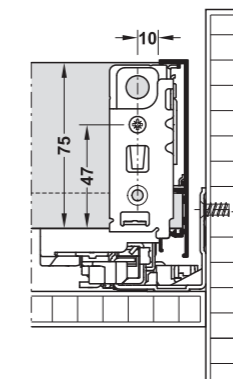


- (A) Cabinet runners  
 (B) Drawer sides  
 (C) Accessories for drawer

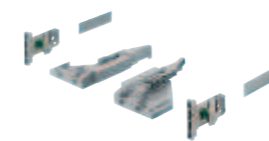
**Internal installation height**



**Rear panel drilling dimensions**



→ **Accessories for drawer (C)**



- Supplied with**
- 1 pair of front fixing brackets
  - 2 cover caps, inside
  - 1 pair of snap-in couplings

Installation	Silver grey	White	Graphite
For screw fixing	550.47.540	550.47.740	550.47.340
With spreading dowel 8 mm	550.47.542	550.47.742	550.47.342

Packing: 1 set

DGH-M 2017, HDE-en,10/16; Dimensional data not binding. We reserve the right to alter specifications without notice.

→ **Vionaro H89 Drawer sides (B)**



- > Material: Steel
- > Adjustment facility: Integrated 3-way adjustment from inside: Height +2.5 to -1.5 mm, side +1.5 to -1.5 mm, tilting angle +2.5 to -1.5 mm

Nom. length mm	Silver grey	White	Graphite
270	550.41.527	550.41.727	550.41.327
300	550.41.530	550.41.730	550.41.330
350	550.41.535	550.41.735	550.41.335
400	550.41.540	550.41.740	550.41.340
450	550.41.545	550.41.745	550.41.345
500	550.41.550	550.41.750	550.41.350
550	550.41.555	550.41.755	550.41.355
600	550.41.560	550.41.760	550.41.360
650	550.41.565	550.41.765	550.41.365

Packing: 1 pair

→ **Dynapro Cabinet runners (A)**



- > Type of pull out: Full extension with Soft-Close soft and self closing mechanism
- > Material: Steel
- > Finish: Zinc plated

Nom. length mm	Cat. No.
<b>Load bearing capacity 40 kg</b>	
270	433.19.601
300	433.19.602
350	433.19.604
400	433.19.606
450	433.19.608
500	433.19.610
550	433.19.612

**Load bearing capacity 70 kg**

450	433.20.628
500	433.20.630
550	433.20.632
600	433.20.634
650	433.20.635

**Load bearing capacity 70 kg**

Nom. length mm	Cat. No.
<b>Load bearing capacity 70 kg</b>	
450	433.20.628
500	433.20.630
550	433.20.632
600	433.20.634
650	433.20.635

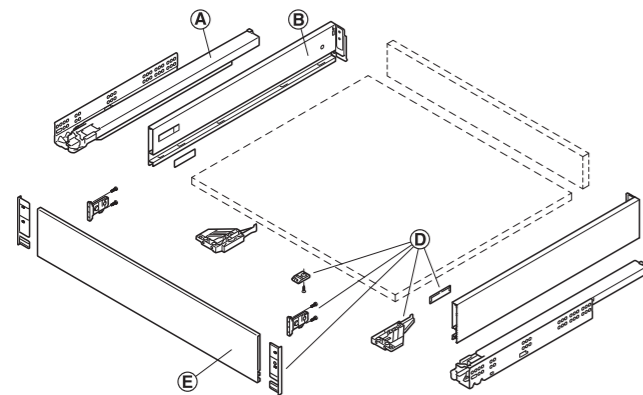
Packing: 1 or 5 pairs

Planning and construction	► MB 9.133
Tipmatic Soft-close opening system	► MB 9.143
Dynapro depth adjustment	► MB 9.231





**Internal drawer**  
Drawer side height 89 mm



- Ⓐ Cabinet runners
- Ⓑ Drawer sides
- Ⓓ Accessories for internal drawer
- Ⓔ Panel for internal drawer

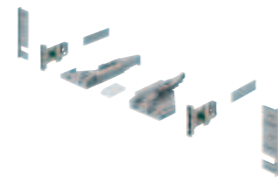
The complete internal drawer with drawer side height 89 mm consists of front fixing brackets for internal drawer, panel for internal drawer and drawer with drawer side height 89 mm.

**Installation dimensions**

Specifications for internal installation height and installation dimensions of the rear panel are identical to the drawer with drawer side height 89 mm.  
Min. internal installation depth = nominal length + 12 mm

Vionaro H89 drawer sides ▶ MB 9.137

→ Accessories for internal drawer Ⓓ



- Supplied with**
- 1 pair of front fixing brackets
  - 2 cover caps, inside
  - 1 pair of snap-in couplings
  - 4 special screws
  - 1 front base connector
  - 1 pair of end caps

Installation	Silver grey	White	Graphite
For screw fixing	550.47.560	550.47.760	550.47.360

Packing: 1 set

→ Panel for internal drawer Ⓔ



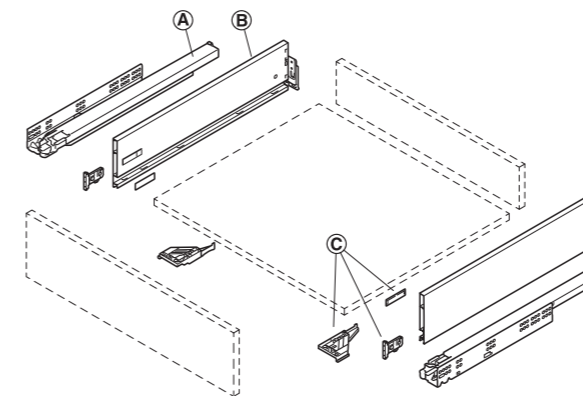
- > Material: Aluminium
- > Length: 1,160 mm
- > For cabinet width: Max. 1,200 mm (16 mm side panel thickness)
- > Installation: For cutting to size: Internal cabinet width – 8 mm, for screw fixing to front brackets

	Silver grey	White	Graphite
Panel for internal drawer	550.46.520	550.46.720	550.46.320

Packing: 1 piece

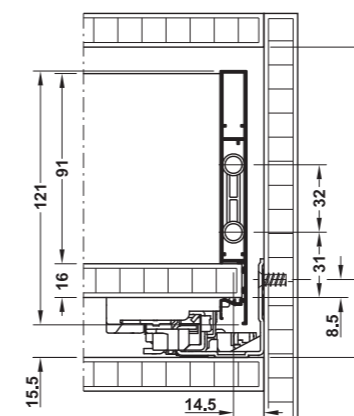
DGH-M 2017, HDE-en,10/16; Dimensional data not binding. We reserve the right to alter specifications without notice.

**Drawer**  
Drawer side height 121 mm

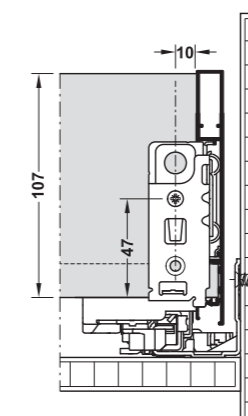


- Ⓐ Cabinet runners
- Ⓑ Drawer sides
- Ⓒ Accessories for drawer

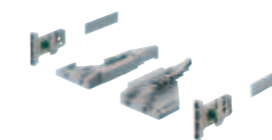
**Internal installation height**



**Rear panel drilling dimensions**



→ Accessories for drawer Ⓒ



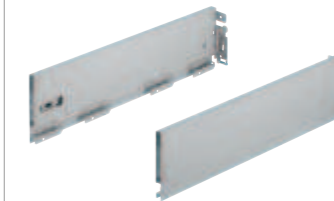
- Supplied with**
- 1 pair of front fixing brackets
  - 2 cover caps, inside
  - 1 pair of snap-in couplings

Installation	Silver grey	White	Graphite
For screw fixing	550.47.540	550.47.740	550.47.340
With spreading dowel 8 mm	550.47.542	550.47.742	550.47.342

Packing: 1 set

DGH-M 2017, HDE-en,10/16; Dimensional data not binding. We reserve the right to alter specifications without notice.

→ Vionaro H121 Drawer sides Ⓑ



- > Material: Steel
- > Adjustment facility: Integrated 3-way adjustment from the inside, height +2.5 mm to –1.5 mm, side +1.5 mm to –1.5 mm, tilting angle +2.5 mm to –1.5 mm

Nom. length mm	Silver grey	White	Graphite
350	550.42.535	550.42.735	550.42.335
400	550.42.540	550.42.740	550.42.340
450	550.42.545	550.42.745	550.42.345
500	550.42.550	550.42.750	550.42.350
550	550.42.555	550.42.755	550.42.355

Packing: 1 pair

→ Dynapro Cabinet runners Ⓐ



- > Type of pull out: Full extension with Soft-close soft and self closing mechanism
- > Material: Steel
- > Finish: Zinc plated

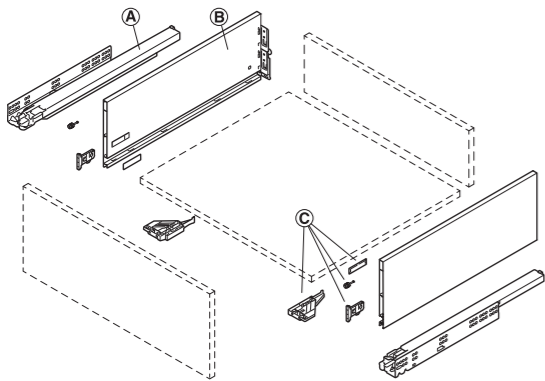
Nom. length mm	Cat. No.
<b>Load bearing capacity 40 kg</b>	
350	433.19.604
400	433.19.606
450	433.19.608
500	433.19.610
550	433.19.612
<b>Load bearing capacity 70 kg</b>	
450	433.20.628
500	433.20.630
550	433.20.632

Packing: 1 or 5 pairs

Planning and construction	▶ MB 9.133
Tipmatic Soft-close opening system	▶ MB 9.143
Dynapro depth adjustment	▶ MB 9.231

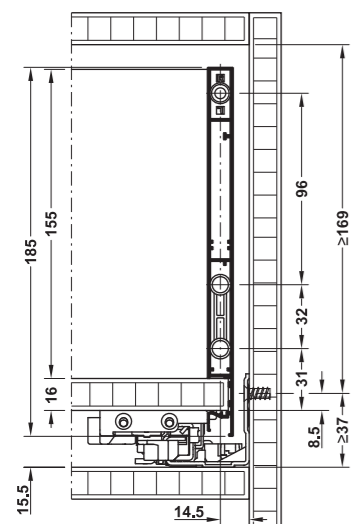


**Pull out for door front fixing**  
Drawer side height 185 mm

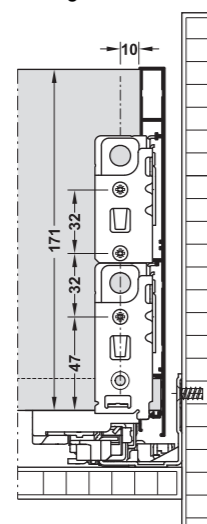


- A** Cabinet runners
- B** Drawer sides
- C** Accessories for pull out for door front fixing

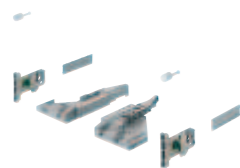
**Internal installation height**



**Rear panel drilling dimensions**



**Accessories for pull out for door front fixing C**



- Supplied with**
- 1 pair of front fixing brackets
  - 2 front stabilisers
  - 2 cover caps, inside
  - 1 pair of snap-in couplings

Installation	Silver grey	White	Graphite
For screw fixing	550.47.541	550.47.741	550.47.341
With spreading dowel 8 mm	550.47.543	550.47.743	550.47.343

Packing: 1 set

**Vionaro H185 Drawer sides B**



- > Material: Steel
- > Adjustment facility: Integrated 3-way adjustment from inside:  
Height + 2.5 to -1.5 mm,  
side + 1.5 to -1.5 mm,  
tilting angle + 2.5 to -1.5 mm

Nom. length mm	Silver grey	White	Graphite
270	550.43.527	550.43.727	550.43.327
300	550.43.530	550.43.730	550.43.330
350	550.43.535	550.43.735	550.43.335
400	550.43.540	550.43.740	550.43.340
450	550.43.545	550.43.745	550.43.345
500	550.43.550	550.43.750	550.43.350
550	550.43.555	550.43.755	550.43.355
600	550.43.560	550.43.760	550.43.360
650	550.43.565	550.43.765	550.43.365

Packing: 1 pair

**Dynapro Cabinet runners A**



- > Type of pull out: Full extension with Soft-close soft and self closing mechanism
- > Material: Steel
- > Finish: Zinc plated

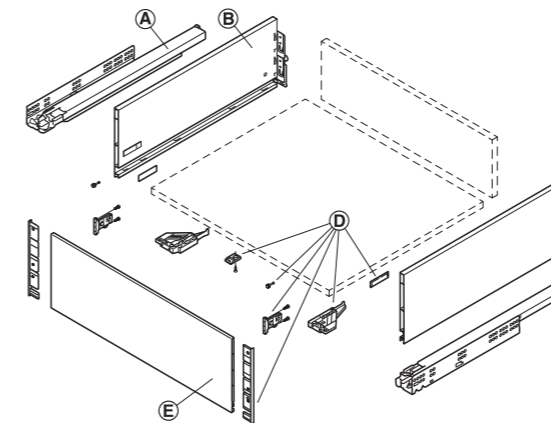
Nom. length mm	Cat. No.
<b>Load bearing capacity 40 kg</b>	
270	433.19.601
300	433.19.602
350	433.19.604
400	433.19.606
450	433.19.608
500	433.19.610
550	433.19.612
<b>Load bearing capacity 70 kg</b>	
450	433.20.628
500	433.20.630
550	433.20.632
600	433.20.634
650	433.20.635

Packing: 1 or 5 pairs

Planning and construction	► MB 9.133
Tipmatic Soft-close opening system	► MB 9.143
Dynapro depth adjustment	► MB 9.231

DGH-M 2017, HDE-en,10/16; Dimensional data not binding. We reserve the right to alter specifications without notice.

**Internal pull out**  
Drawer side height 185 mm



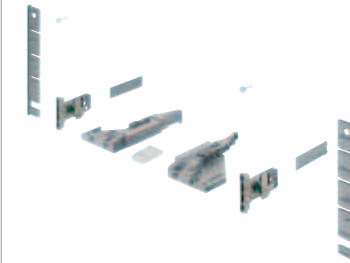
- A** Cabinet runners
- B** Drawer sides
- D** Accessories for internal pull out
- E** Panel for internal pull out

The complete internal pull out with drawer side height 185 mm consists of front fixing brackets for internal pull out, panel for internal pull out and pull out for door front fixing with drawer side height 185 mm.

**Installation dimensions**

Specifications for internal installation height and installation dimensions of the rear panel are identical to the pull out for door front fixing with drawer side height 185 mm.  
Min. internal installation depth = nominal length + 12 mm

**Accessories for internal pull out D**



- Supplied with**
- 1 pair of front fixing brackets
  - 2 front stabilisers
  - 2 cover caps, inside
  - 1 pair of snap-in couplings
  - 4 special screws
  - 1 front base connector
  - 1 pair of end caps

Installation	Silver grey	White	Graphite
For screw fixing	550.47.561	550.47.761	550.47.361

Packing: 1 set

**Panel for internal pull out E**



- > Material: Aluminium
- > Length: 1,160 mm
- > For cabinet width: Max. 1,200 mm (16 mm side panel thickness)
- > Installation: For cutting to size: Internal cabinet width - 8 mm, for screw fixing to front brackets

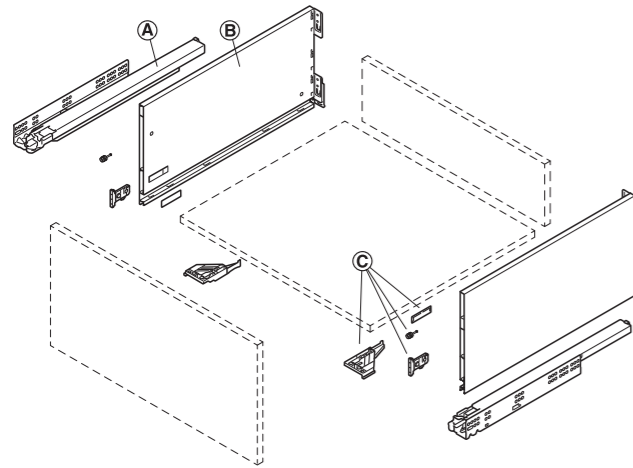
	Silver grey	White	Graphite
Panel for internal pull out	550.46.530	550.46.730	550.46.330

Packing: 1 piece

DGH-M 2017, HDE-en,10/16; Dimensional data not binding. We reserve the right to alter specifications without notice.



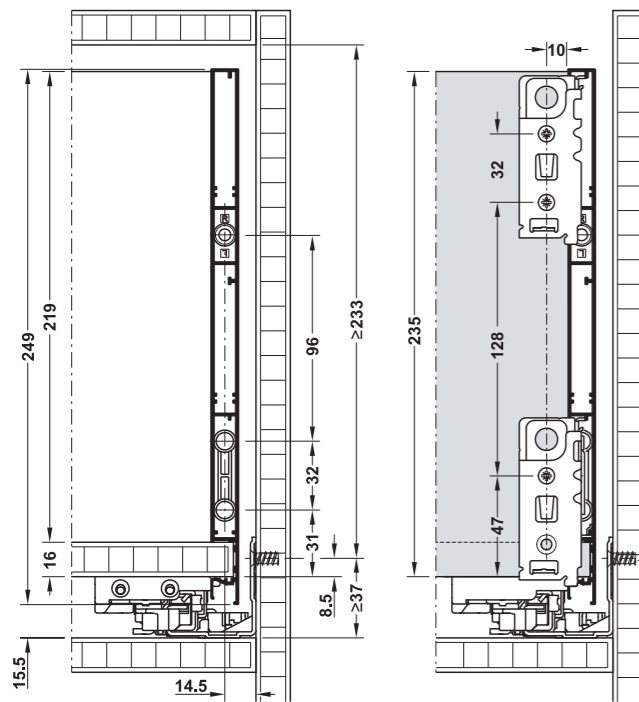
**Pull out for door front fixing**  
Drawer side height 249 mm



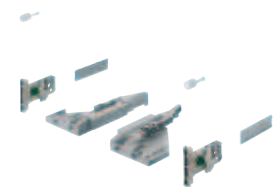
- (A) Cabinet runners
- (B) Drawer sides
- (C) Accessories for pull out for door front fixing

**Internal installation height**

**Rear panel drilling dimensions**



**Accessories for pull out for door front fixing (C)**

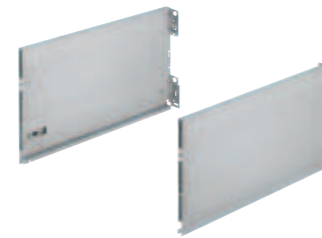


- Supplied with**
- 1 pair of front fixing brackets
  - 2 front stabilisers
  - 2 cover caps, inside
  - 1 pair of snap-in couplings

Installation	Silver grey	White	Graphite
For screw fixing	550.47.541	550.47.741	550.47.341
With spreading dowel 8 mm	550.47.543	550.47.743	550.47.343

Packing: 1 set

**Vionaro H249 Drawer sides (B)**



- > Material: Aluminium
- > Adjustment facility: Integrated 3D adjustment from inside, height +2.5 to -1.5 mm, side +1.5 to -1.5 mm, tilting angle +2.5 to -1.5 mm

Nom. length mm	Silver grey	White	Graphite
450	550.44.545	550.44.745	550.44.345
500	550.44.550	550.44.750	550.44.350
550	550.44.555	550.44.755	550.44.355
600	550.44.560	550.44.760	550.44.360

Packing: 1 pair

**Dynapro Cabinet runners (A)**



- > Type of pull out: Full extension with Soft-close soft and self closing mechanism
- > Material: Steel
- > Finish: Zinc plated

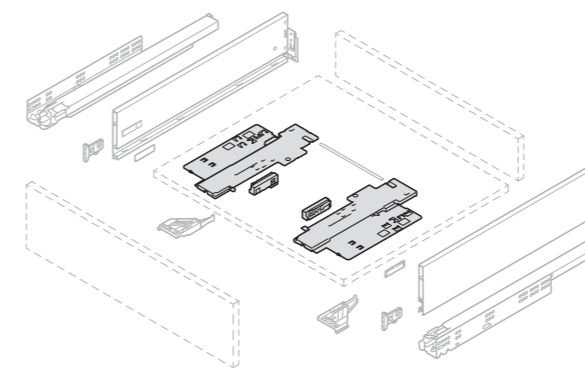
Nom. length mm	Cat. No.
<b>Load bearing capacity 40 kg</b>	
450	433.19.608
500	433.19.610
550	433.19.612
<b>Load bearing capacity 70 kg</b>	
450	433.20.628
500	433.20.630
550	433.20.632
600	433.20.634

Packing: 1 or 5 pairs

Planning and construction	► MB 9.133
Tipmatic Soft-close opening system	► MB 9.143
Dynapro depth adjustment	► MB 9.231

DGH-M 2017, HDE-en,10/16; Dimensional data not binding. We reserve the right to alter specifications without notice.

**Tipmatic Soft-close Opening system for Dynapro**



- > Touch to open and gentle closing perfectly combined
- > Large touch area for release provided by synchronisation rod
- > Opening and closing function combined in one unit
- > Attachment to the runner without tools
- > Same unit for all weight classes with 3-way adjustment of the ejection force, from nominal length 270 mm

- > Area of application: For drawers and pull outs with Soft-close soft closing system, for all weight classes, from nominal length 270 mm
- > Depth adjustment: -1/+3 mm
- > Installation: The eject unit and follower are attached to the cabinet runner without tools
- > Minimum front gap 2.5 mm

**Note**

For large release area it is recommended to use the synchronisation rod (K). The support for the synchronisation rod (K) is required from cabinet width 800 mm.

**Supplied with**

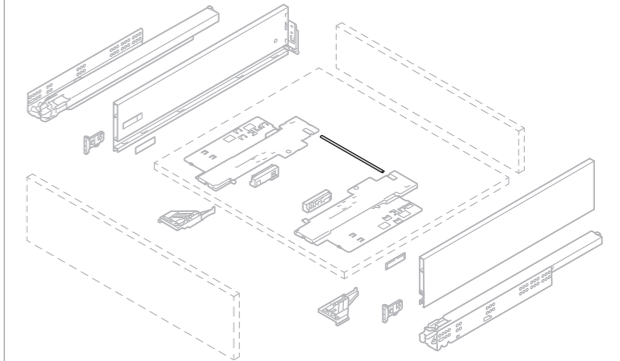
- 1 Tipmatic Soft-close eject unit
- 2 followers

	Cat. No.
Tipmatic Soft-close opening system	433.19.080

Packing: 1 set

DGH-M 2017, HDE-en,10/16; Dimensional data not binding. We reserve the right to alter specifications without notice.

**Synchronisation rod**



- > Material: Aluminium
- > Installation: For cutting to size: Internal cabinet width - 216 mm, on Tipmatic Soft-close eject unit without tools

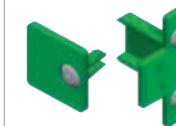
**Supplied with**

- 1 synchronisation rod

Internal cabinet width mm	Length mm	Cat. No.
600	352	433.19.085
1200	952	433.19.086

Packing: 1 piece

**Centring gauge**



- > Area of application: For marking the drilling positions that are required for fixing the front panel, suitable drawer side height 89 mm, 121 mm, 185 mm and 249 mm

**Supplied with**

- 2 centring gauges for H 89, H 121, H 185 and H 249 front fixing brackets
- 2 centring gauges for H 185 and H 249 front stabilisers

	Cat. No.
Centring gauge	550.47.931

Packing: 1 set