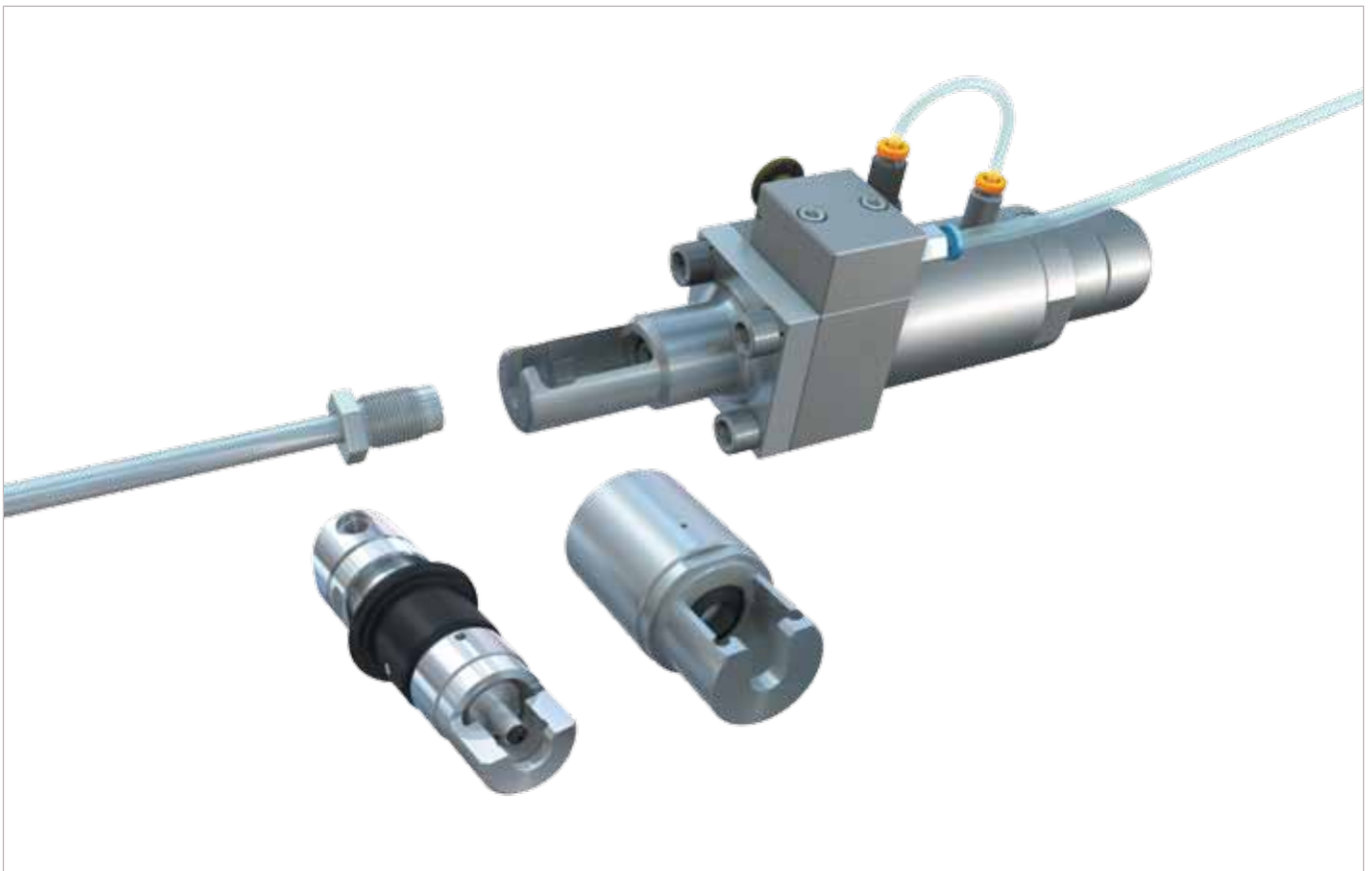


# Type **TW130 / 131 / 132**

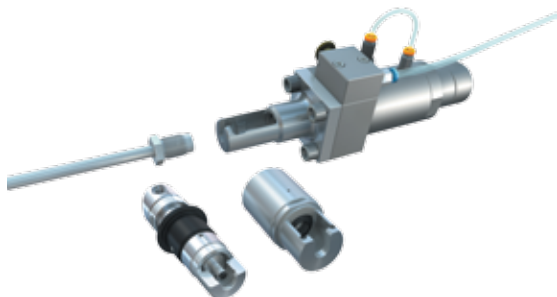
**Multifunction connectors for pressure and function testing**

of components with banjo tube connections, tube / hose connections with sleeve nuts etc.



## General

### DESCRIPTION



#### Features

- Pressure-tight connections in seconds without hand-tightening
- Ergonomic design
- Compact construction
- High quantity testing
- Automation of test procedures possible

The WEH® types TW130 / TW131 and TW132 connectors have been developed specially for testing components with banjo tube connections, tube and hose connections with sleeve nuts and similar configurations.

The compact design and ease of operation enable cost effective testing, even for high quantities. Depending on the type, the connectors are equipped with pneumatic or manual actuation and for high or low pressure.

Special versions, e.g. a 4-station / 5-station connector are also available on request.

#### Application

Multifunction connector for pressure and function testing of components, such as high pressure hoses with sleeve nuts, heat exchangers etc.

### TECHNICAL DATA

Characteristics	Basic version
Operating pressure PS	TW130: max. 350 bar TW131: max. 50 bar TW132: max. 50 bar
Pilot pressure	6-8 bar
Pilot pressure port P1	TW130 / TW132: G1/8" internal thread
Medium	Air, water, mineral oils, helium
Actuation	TW130 / TW132: pneumatic actuation TW131: manual actuation of the grip sleeve
Material	Base unit: anodized aluminium / corrosion-resistant stainless steel
Sealing material	NBR

Other versions on request.

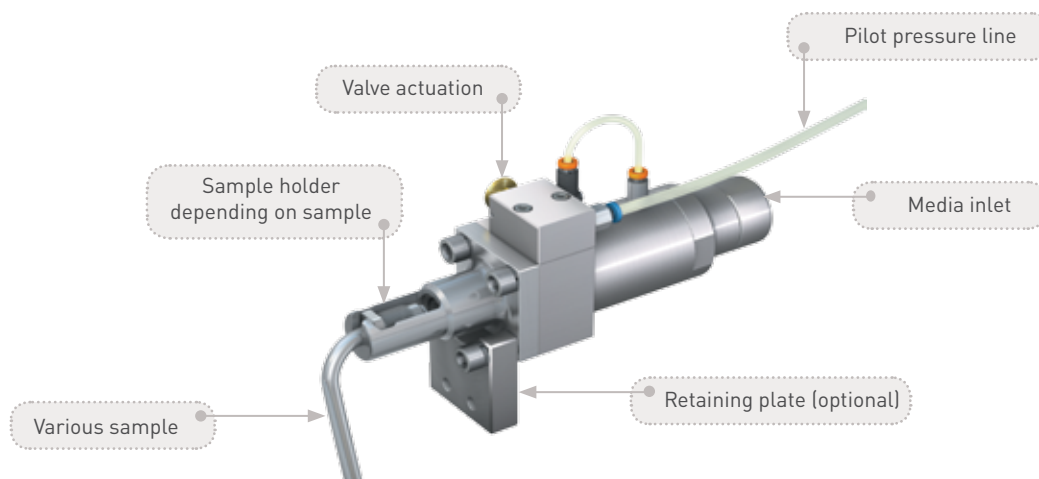
**General**

**OVERVIEW TYPES**

There are different construction types available for the WEH® multifunction connectors:

**TW130 with pneumatic actuation**

The WEH® type TW130 connector is equipped with pneumatic valve actuation, a steel sample holder and if required with a retaining plate. Type TW130 is rated for a pressure range up to 350 bar max. Automation is possible.



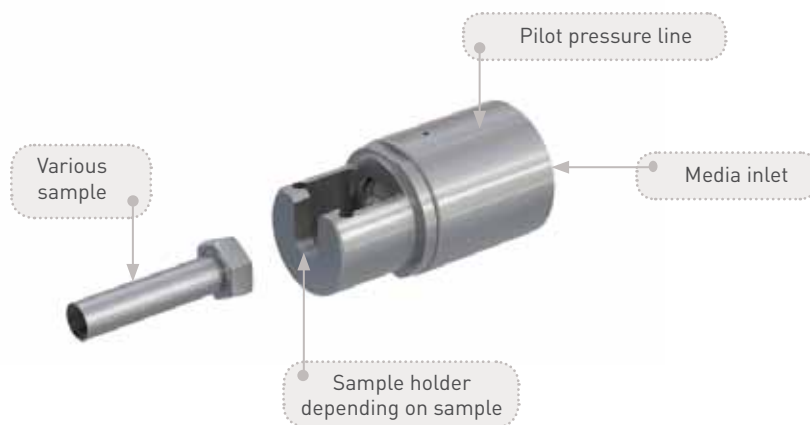
**TW131 with manual actuation**

The WEH® type TW131 connector is the manual version of the type TW130. The test piece holder is adapted to the customer's sample. Simply pull back the grip sleeve and release it again to connect the sample. Type TW131 is rated for a pressure range up to 50 bar.



**General****TW132 with pneumatic actuation for low pressure ranges**

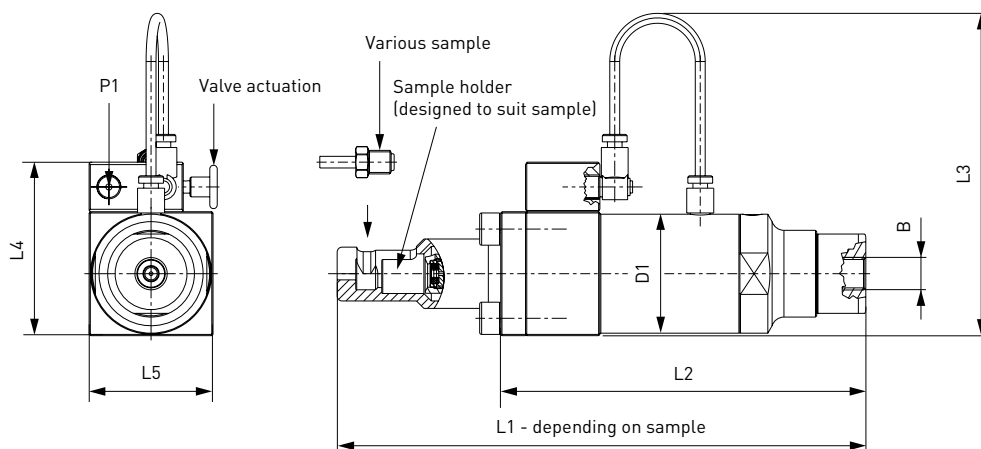
The WEH® type TW132 connector is the low pressure version of type TW130. The connector is actuated pneumatically and rated for a pressure range up to 50 bar. Underwater applications are possible. The sample holder can be adapted to suit the customer sample.



**Ordering**

**ORDERING** | TW130 with pneumatic actuation

approx. dimensions (mm)

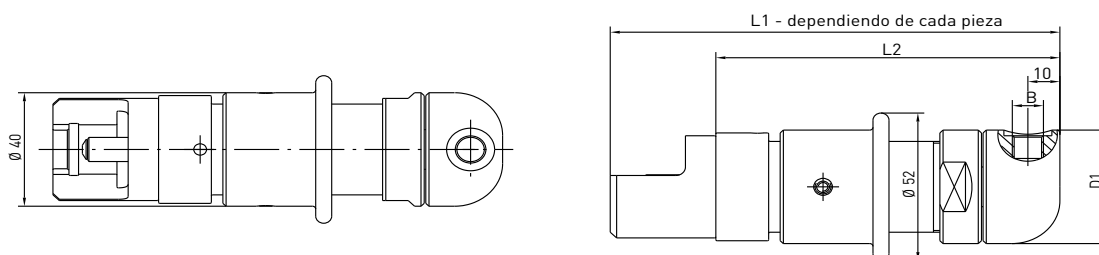


Part No.	Body size	Inlet B	L2	L3	L4	L5	D1
On request	1	G1/4" internal thread	137,5	130	70	50	48
On request	2	G1/4" internal thread	137,5	140	84	64	62

Other connector sizes and versions are available on request.

**ORDERING** | TW131 with manual actuation

approx. dimensions (mm)



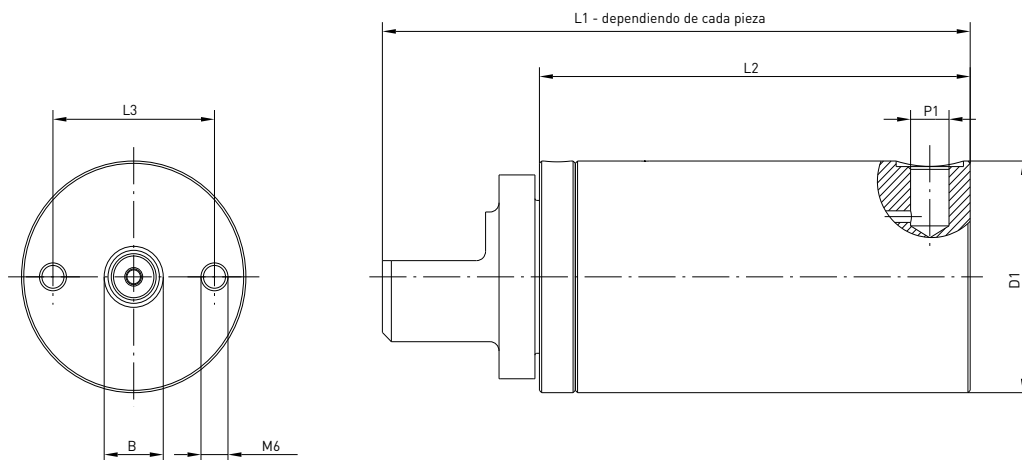
Part No.	Inlet B	L2	D1
On request	G1/8" internal thread	132	40

Other connector sizes and versions are available on request.  
Please send us your enquiry together with the corresponding sample!

## Ordering

### ORDERING | TW132 with pneumatic actuation

approx. dimensions (mm)



Part No.	Body size	Ø Sealing range*	Inlet B	L2	L3	D1
On request	1	5-15 mm	G 1/4"	96	36	50
On request	2	12-25 mm	G 1/2"	96	45	64

\* Depending on the application it is our design department's exclusive responsibility to decide the appropriate sealing position. It is very important that you send a corresponding sample with your enquiry!

## ACCESSORIES

The following accessories are available for the WEH® multifunction connectors:

### Retaining plate

Retaining plate for attachment of the types TW130 and TW132. Please contact WEH!

### Valve for type TW132

We also offer a valve for manual actuation of the pilot pressure at port 'P1'.



Part No.	Description	Connection
C1-48091	Valve	G1/8" external thread

## Other products

### OTHER PRODUCTS

You will find more quick connectors for testing, filling and plugging in our current main catalogue No. 35.



Further information on our homepage  
[www.weh.com](http://www.weh.com)

#### » Contacting

For queries and further information, please do not hesitate to contact us.

*Manufacturer:*

**WEH GmbH Precision Connectors**

Josef-Henle-Straße 1  
89257 Illertissen / Germany

Phone: +49 (0) 7303 9609-0

Fax: +49 (0) 7303 9609-9999

eMail: [sales@weh.com](mailto:sales@weh.com)

[www.weh.com](http://www.weh.com)

