

Slam-Cam for Slam Doors.
Locking without key or tool.

- **To a):** The Teflon washer replaces the wave washer underneath the insert.
- Used with all Quarter-Turns and inserts according to page 1-100.
- **To a):** Slam-Cam with free-stroke for applications with cylinder locks and handles on page 1-120 to 1-152 and 1-154.
- A Slam-Cam set consists of a cam, a spring and an M6x10 hex screw with underhead serrations and self securing powder dot.
- This self securing powder dot is to tune / adjust the correct friction for the free stroke. The screw supplied with the handle is not required.
- On request, latch units with this cam should be assembled by DIRAK.
- A pre-assembled Quarter-Turn can be installed through the cutout.

a) Slam-Cam with spring and Teflon washer

RH version, i.e. hinges on RH side

200-9605

LH version, i.e. hinges on LH side

200-9606

Additional dimensions on request.

a1) Slam-Cam with free-stroke (see description right side)

with spring and hex screw

RH version, i.e. hinges on RH side

200-9607

LH version, i.e. hinges on LH side

200-9608

b) Housings and inserts on page 1-100, 1-105, 1-107 or 1-110

b1) Handles and cylinder locks on page 1-120 to 1-152 and 1-154

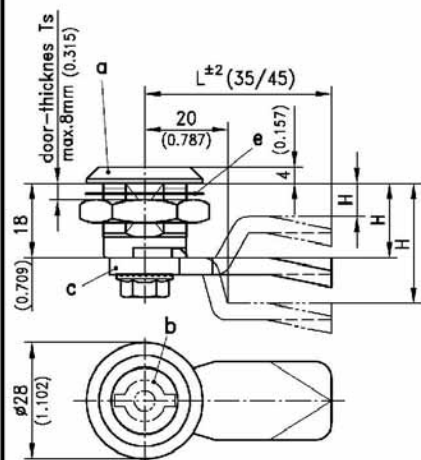
• Material:

a)

• Slam-Cam: zinc die, chrome plated

• Spring: steel, zinc plated

• Washer: Teflon



a) Housing with nut		N
grounding/earthing nut		EN
nut and grounding clip		NEC
zinc die, chrome plated		
with N		200-9001
with EN		200-9002
with NEC		200-9062
zinc die, black		
with N		200-9048
with EN		200-9049
with NEC		200-9063
PA black		
with N		200-9003
with NEC		200-9004

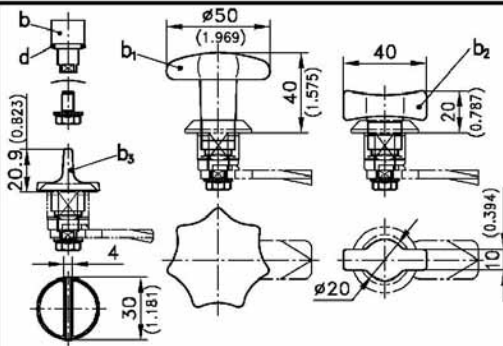
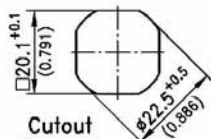
Further housings on page 1-105.

Housings with extended bodies on page 1-110.

Optional:

Water- and dust tight according to IP65 by:

d) O-Ring	200-1001
e) Flat external seal	200-0901
For IP66/67 use additional O-Ring	200-1002
h) Assembling	
without O-Ring	200-0001
with O-Ring	200-0002
i) Assembling cam 90° to Wing knob:	
without O-Ring	200-0019
with O-Ring	200-0021



b) Inserts/ Knobs	zinc die	zinc die	PA black
refer to page 1-002	chrome pl.	black	zinc die core
Square 6mm	200-9101	200-9127	-
Square 7mm	200-9102	200-9116	-
Square 8mm	200-9103	200-9128	-
Square 8mm slotted	200-9111	-	-
Triangular 6.5 CNOMO	200-9106	-	-
Triangular 7mm	200-9104	200-9129	-
Triangular 8mm	200-9105	200-9130	-
Triangular 9mm EDF	200-9147	200-9148	-
Double bit 3mm pin	200-9107	200-9131	200-9117
Double bit 5mm pin	200-9108	200-9132	200-9118
Socket head 6mm	200-9142	-	-
Socket head 10mm	200-9112	-	-
Socket head 5/16" 3mm Pin	200-9172	200-9178	-
Square socket 6mm	200-9166	-	-
Square socket 7mm	200-9167	-	-
Square socket 8mm	200-9168	-	-

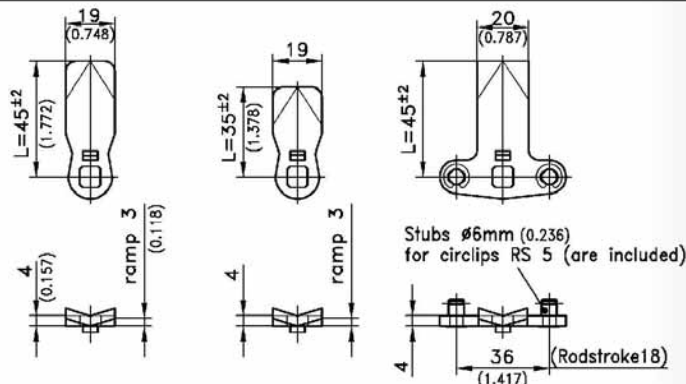
Daimler Benz type	200-9109	200-9133	-
Slotted 2mm, 4mm deep	200-9113	200-9143	200-9126
Crown type	200-9110	-	-
Slotted recessed coinproof	200-9164	200-9169	-
GDF 10x5mm France	200-9141	-	-
Crescent Czech	200-9154	-	-
Hex 7/16"	200-9171	100-9127	-
Hex 10mm	200-9185	-	-

b1) Star knob Ø50	-	-	200-9114
b2) Wing knob	-	-	200-9115
b3) Wing knob	-	100-9115	-

Wing knob b3) only for housing Ø28.
Other versions on request! Please refer to page 1-002.
Quarter-Turn with 90° turn, RH or LH application.
The Quarter-Turn consists of three basic components which can be combined to suit your application.
On request parts can be assembled by DIRAK.
A pre-assembled Quarter-Turn can be installed through the cutout.
Key (PA, black or zinc die) please refer to page 6-100.

Quarter-Turn, Screw-in Type

Optional: Water- and dust-tight according to IP65



Stubs Ø6mm (0.236) for circlips RS 5 (are included)

for alternative solutions please refer to page 2-151

c) Cams

(steel, Zinc plated)

H mm / inch	L=42±1	L=35±1	L=45±1
2 / 0.079	200-0402	-	-
4 / 0.157	200-0404	-	200-9504
6 / 0.236	200-0406	200-0606	200-9506
8 / 0.315	200-0408	200-0608	200-9508
10 / 0.394	200-0410	200-0610	200-9510
13 / 0.512	200-0413	200-0613	200-9513
14 / 0.551	200-0414	200-0614	200-9514
16 / 0.630	200-0416	200-0616	200-9516
18 / 0.709	200-0418	200-0618	200-9518
20 / 0.787	200-0420	200-0620	200-9520
22 / 0.866	200-0422	200-0622	200-9522
24 / 0.945	200-0424	200-0624	200-9524
25 / 0.984	200-0425	200-0625	200-9525
26 / 1.024	200-0426	200-0626	200-9526
28 / 1.102	200-0428	200-0628	200-9528
30 / 1.181	200-0430	200-0630	200-9530
32 / 1.260	200-0432	-	200-9532
34 / 1.339	200-0434	-	200-9534
35 / 1.378	200-0435	200-0635	200-9535
36 / 1.417	200-0436	-	200-9536
38 / 1.496	200-0438	200-0638	200-9538
40 / 1.575	200-0440	200-0640	200-9540
42 / 1.654	200-0442	200-0642	200-9542
44 / 1.732	200-0444	200-0644	200-9544
45 / 1.772	200-0445	-	200-9545
47 / 1.850	200-0447	-	200-9547
50 / 1.969	200-0450	-	200-9550
53 / 2.087	200-0453	-	-
55 / 2.165	200-0455	-	-
2-point cam			200-9599
Cam with ramp H=18 and L=25			200-5118
Hooked cam on page 1-260.			

Other dimensions of cams on page 1-262.



The accessories shown below are drawn on pages 1-270, 1-275 or 6-100.

serrolock lock washer spacer



Refer to page 1-275

Finger pull



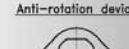
Part No. 200-4703.03

Dustcaps



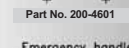
Part No. 200-4101 or 200-4103

Anti-rotation device



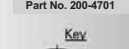
Part No. 200-4601

Emergency handle



Part No. 200-4701

Key



Refer to page 6-100

1-060 Snap/Push-Lock



METALIKA
Locking systems **KACIN**
www.metalika-kacin.com

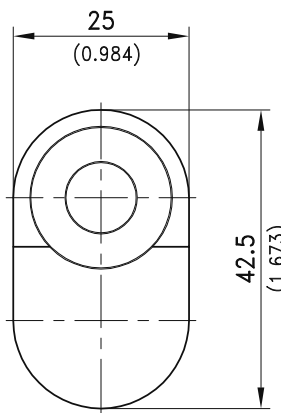
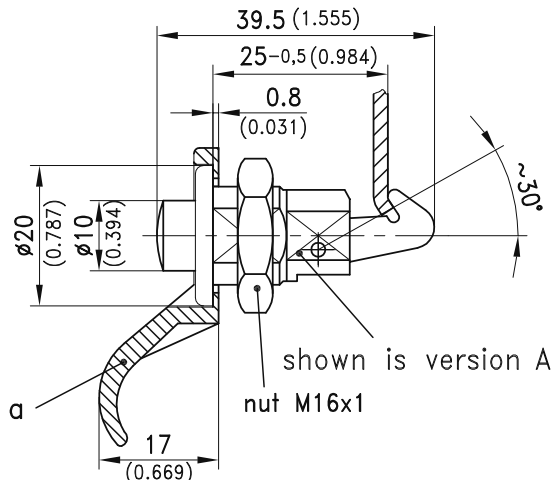


Snap/Push lock with slam function, nut or clip fixing.

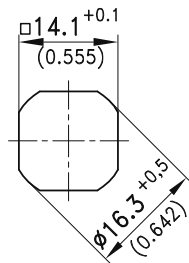
- Released by pushing.
- Lager lockable version see page 05.7 or 05.8.

Material:

- Version A:
 • **Snap-Lock:** zinc die, chrome plated
 a)
 • **Fingerpull:** PA, black
 Version B:
 • **Snap-Lock:** zinc die, chrome plated

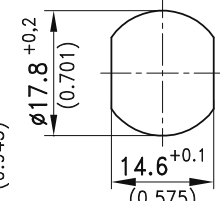


Cutout for version A

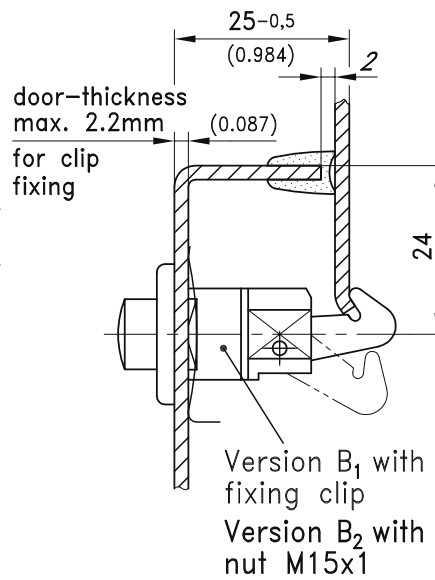
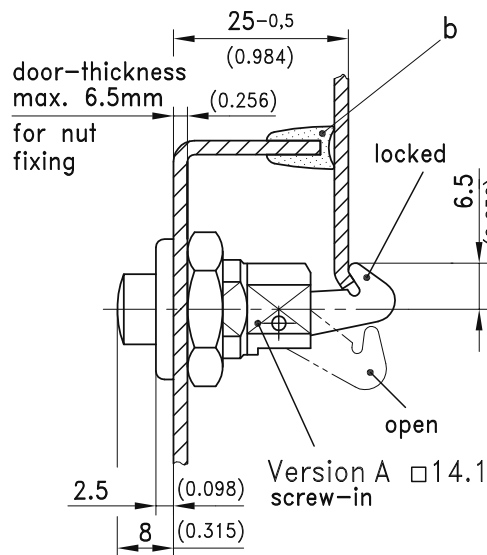
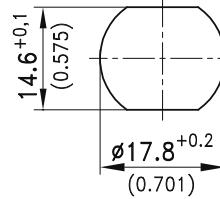


Cutouts for version B

vertical door



horizontal door



Snap/Push lock Version A	Part No.	see page
A for square 14,1mm / 0.555	252-9001	
Please order separately:		
a) Finger pull (only for version A)	220-1301	
Snap/Push lock Version B		
B1 with fixing clip	252-9003	
B2 with nut M15x1	252-9004	
b) i.e. Rectangular Profiles	209-0301	07.9

04/12/2010 © copyright by DIRAK / Germany

Latches

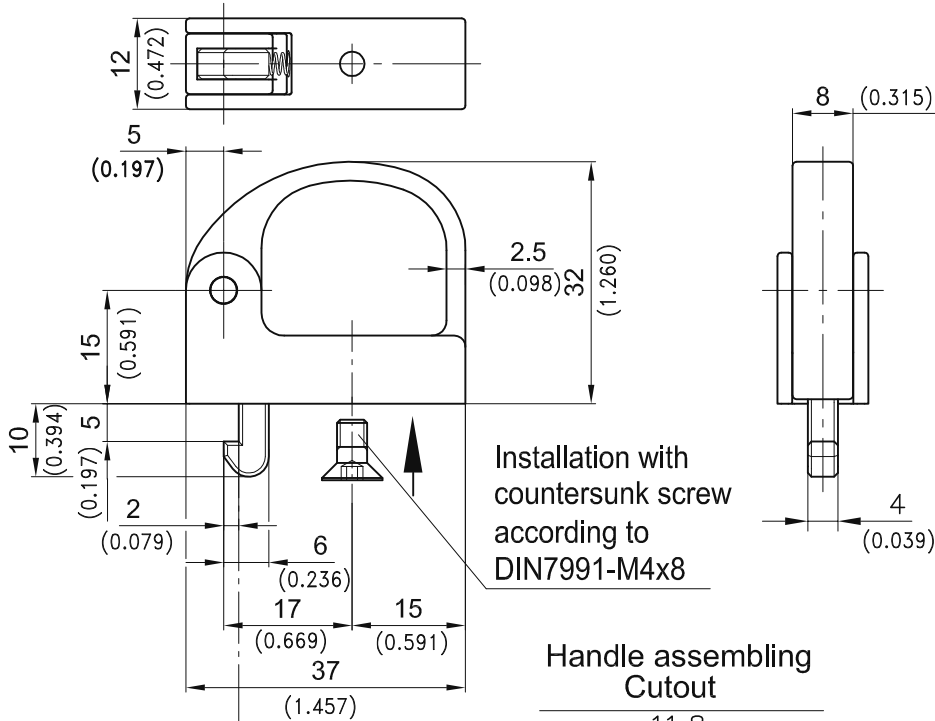
1-068 Pull Latch Handle

The Pull Latch Handle is used by 19" engineering for locking insertions.

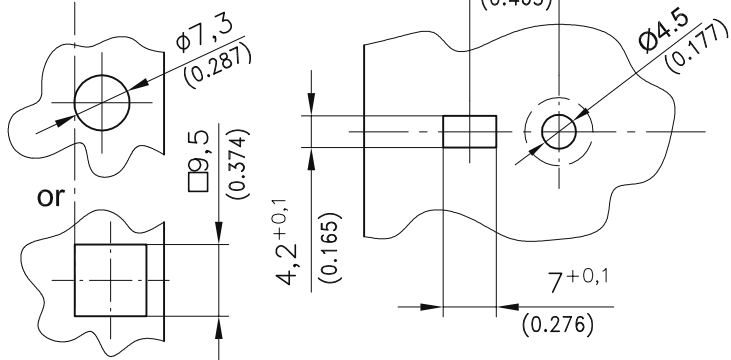
- The completely pre-assembled unit is fastened by a countersunk screw M4.
- LH and RH application.
- When inserting the plug-in unit the free running slam hook latches into the appropriate cutout and locks the plug-in unit with the frame.
- Drawing at the handle unlocks the plug-in unit and it can be pulled out by the handle.

Material:

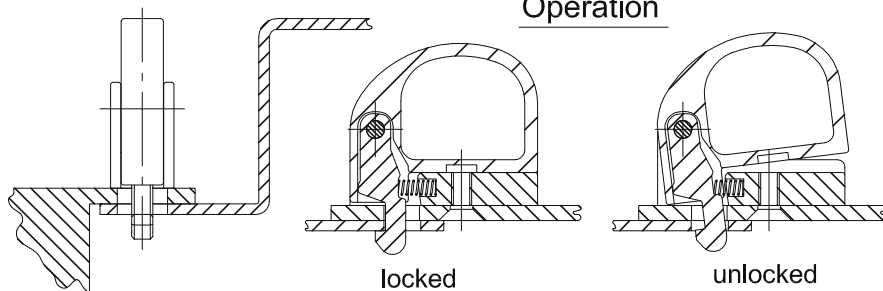
- **Housing and handle:** zinc die, matt chrome plated.
- **Spring for insert:** spring steel
- **Hook:** sintered steel, zinc plated



Cutout for locking hole



Operation



Pull Latch Handle

The countersunk screw is not included.

Part No.
280-9101