

1-092 Quarter-Turn 2K Pr20.1 L18

2 component PA6 / TPE, protective insulated



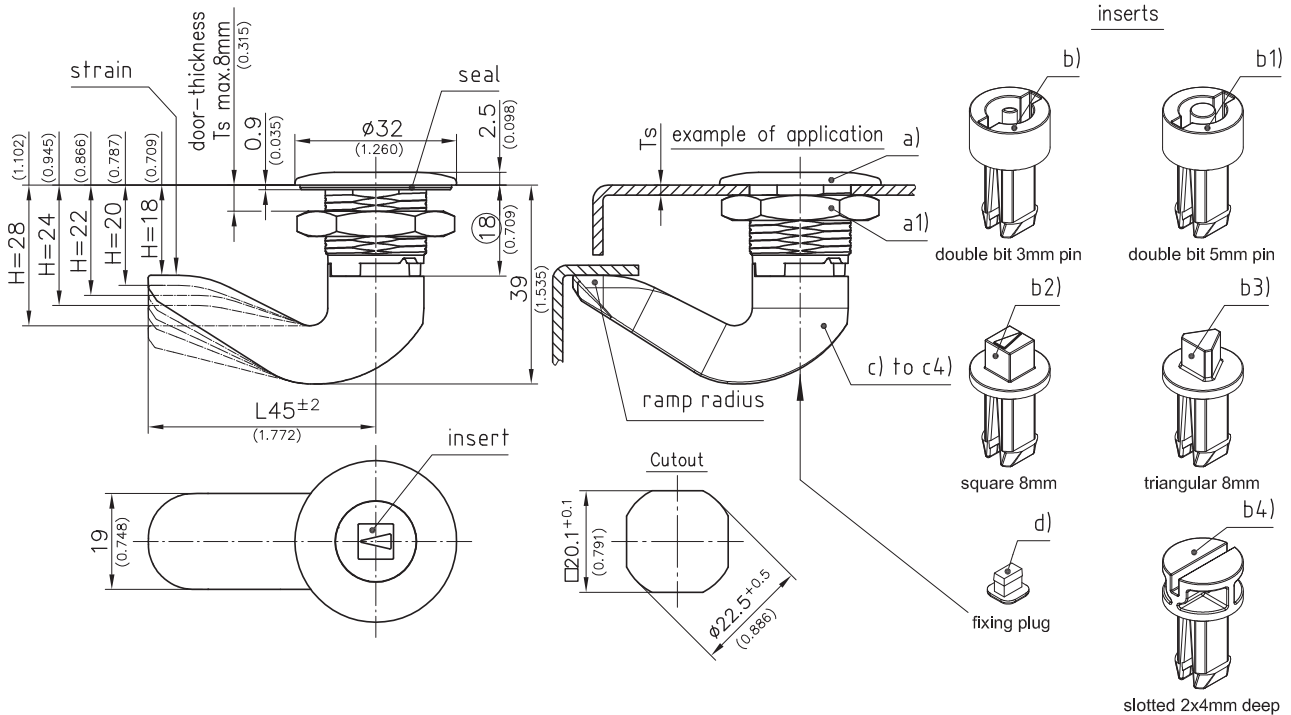
Elegantly designed, sealed polyamide quarter-turn with moulded-in TPE seal that is permanently fixed in the PA housing, thus ensuring that it cannot be lost.

- The seal is located under the head and inside the housing.
- Colored seal.
- Water- and dust-tight according to IP65/67 DIN EN 60529.
- The Quarter-Turn consists of three basic components which can be combined to suit your application.
- Insert and cam can be clipped together without tools before the installation in the housing.
- A pre-assembled Quarter-Turn can be installed through the cutout.

- RH and LH application.
- Maximum load for the cam 250N.
- Load may be increased to 600N with use of a fixing plug.
- **Attention:** Please consider the packing units!

Material:

- **Housing, insert, cam and nut:** PA6, black
- **Seal:** TPE, red
- **Fixing plug:** PA6, red



	Part No.	packing unit / piece	see product system
a) Housing 2K	200-0211.00-00000	1000	
a1) Nut	203-0901.07-00000	1000	
Inserts:			
b) Double bit 3mm pin	100-0388.50-00005	250	
b1) Double bit 5mm pin	100-0388.50-00001	250	
b2) Square 8mm	100-0388.50-00002	250	
b3) Triangular 8mm	100-0388.50-00003	250	
b4) Slotted 2x4mm deep	100-0388.50-00004	250	
Cams:			
c) H=18 (0.709)	200-0769.50-00018	250	
c1) H=20 (0.787)	200-0769.50-00020	250	
c2) H=22 (0.866)	200-0769.50-00022	250	
c3) H=24 (0.945)	200-0769.50-00024	250	
c4) H=28 (1.102)	200-0769.50-00028	250	
Optional:			
Finger pull and Dustcap			1-270
Anti-rotation device			1-275
Assembly	on request		
d) Fixing Plug	on request	250	

7-079 Compression Latch Pr20.1

H-dimension adjustable, stainless steel AISI 316



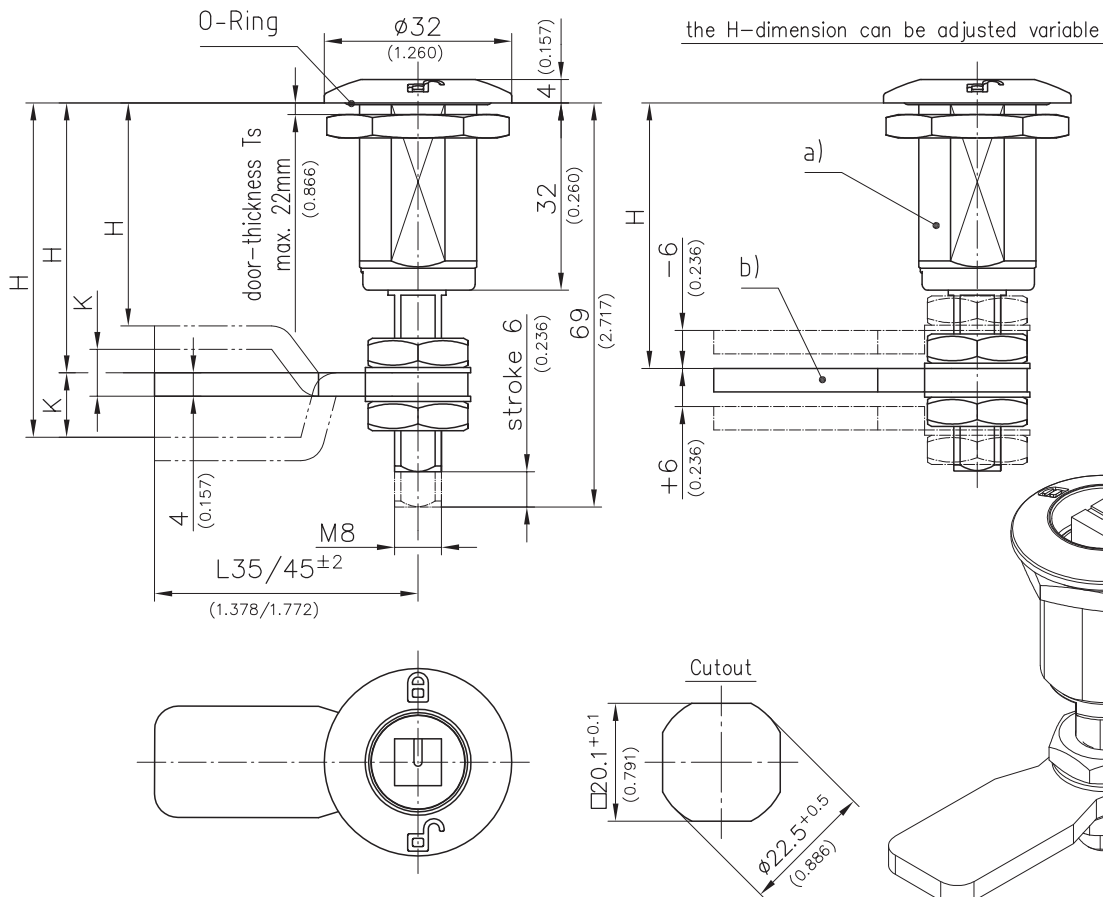
Elegant Compression Latch with variable H-dimension.

- Low profile design.
- Clamping grip 6mm/0.236.
- Vibration-proof according to DIN EN 61373.
- Dots are marked in color on the housing top open/closed in the shape of the padlock.
- Installation depth in uncompressed condition, 69mm/2.717.
- Water- and dust-tight according to IP67 DIN EN 60529.
- RH and LH version.
- The H-dimension can be varied via the cranking of the cams.

- The cam can be varied to $\pm 6\text{mm}/0.236$ via nuts (included) on the axis.

Material:

- **Housing, Insert, Axle, Nut, Cam and Serrated Screw:** stainless steel
- **O-Ring:** NBR

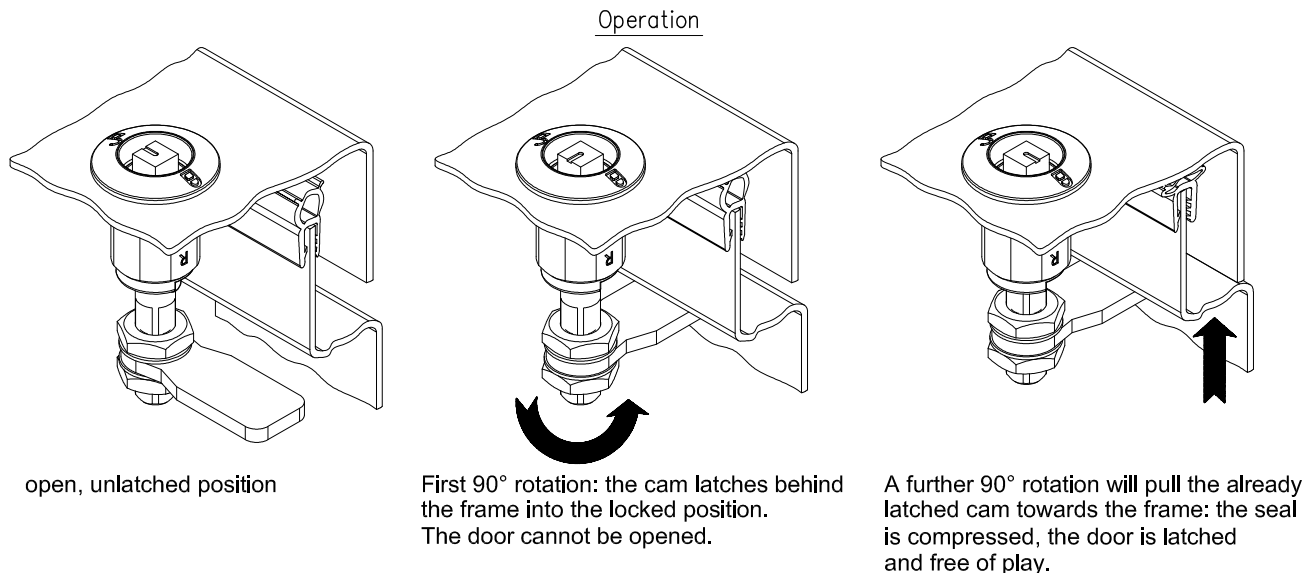


a) Compression Latch with Insert:	Part-No. RH (as drawn)	Part-No. LH	see product system
Square 6	248-92AA	248-92AA	
Square 7	248-9200	248-9250	
Square 8	248-9201	248-9251	
Double bit 3	248-9202	248-9252	
Double bit 5	248-9203	248-9253	
Triangular 6,5	248-9204	248-9254	
Triangular 7	248-9205	248-9255	
Tiangular 8	248-9206	248-9256	
Conical Square	248-9207	248-9257	
	248-9208	248-9258	

Serrated lock washer, anti-rotation device and dustcap to be ordered separately 1-275
 Key for Insert 6-100

7-079 Compression Latch Pr20.1

H-dimension adjustable, stainless steel AISI 316



Compression Latch with Cam and Accessories

248-92AA.00- X Y L KK

Insert version and Design:

RH or LH
see table a)

Accessories on Tabelle a):

0 = without Accessories
1 = Serrated lock washer 840-6798.00-00023
2 = Dustcap 200-4103
3 = Serrated lock washer + Dustcap

Assembling of Cam:

0 = without Cam
1 = Cam not assembled (attached loose)

length of Cam:

0 = without Cam
1 = L35
2 = L45

Cranked Cam:

see table b)

b) Cams	H in mm / inch	KK	Component Part-No. L35	Component Part-No. L45
negative	17 - 29 / 0.669 - 1.142	22	100-0535.80-00022	100-0545.80-00022
	19 - 31 / 0.748 - 1.220	20	100-0535.80-00020	100-0545.80-00020
	21 - 33 / 0.827 - 1.299	18	100-0535.80-00018	100-0545.80-00018
	23 - 35 / 0.906 - 1.378	16	100-0535.80-00016	100-0545.80-00016
	25 - 37 / 0.984 - 1.457	14	100-0535.80-00014	100-0545.80-00014
	27 - 39 / 1.063 - 1.535	12	100-0535.80-00012	100-0545.80-00012
	29 - 41 / 1.142 - 1.614	10	100-0535.80-00010	100-0545.80-00010
	31 - 43 / 1.220 - 1.693	08	100-0535.80-00008	100-0545.80-00008
	33 - 45 / 1.299 - 1.772	06	100-0535.80-00006	100-0545.80-00006
	35 - 47 / 1.378 - 1.850	04	100-0535.80-00004	100-0545.80-00004
	37 - 49 / 1.457 - 1.929	02	100-0535.80-00002	100-0545.80-00002
	39 - 51 / 1.535 - 2.008	00	100-0535.80-00000	100-0545.80-00000
	straight positive	41 - 53 / 1.614 - 2.087	02	100-0535.80-00002
43 - 55 / 1.693 - 2.165		04	100-0535.80-00004	100-0545.80-00004
45 - 57 / 1.772 - 2.244		06	100-0535.80-00006	100-0545.80-00006
47 - 59 / 1.850 - 2.323		08	100-0535.80-00008	100-0545.80-00008
49 - 61 / 1.929 - 2.402		10	100-0535.80-00010	100-0545.80-00010
51 - 63 / 2.008 - 2.480		12	100-0535.80-00012	100-0545.80-00012
53 - 65 / 2.087 - 2.559		14	100-0535.80-00014	100-0545.80-00014
55 - 67 / 2.165 - 2.638		16	100-0535.80-00016	100-0545.80-00016
57 - 69 / 2.244 - 2.717		18	100-0535.80-00018	100-0545.80-00018
59 - 71 / 2.323 - 2.795		20	100-0535.80-00020	100-0545.80-00020
61 - 73 / 2.402 - 2.874		22	100-0535.80-00022	100-0545.80-00022