

5-149 RFI Sealing Profiles

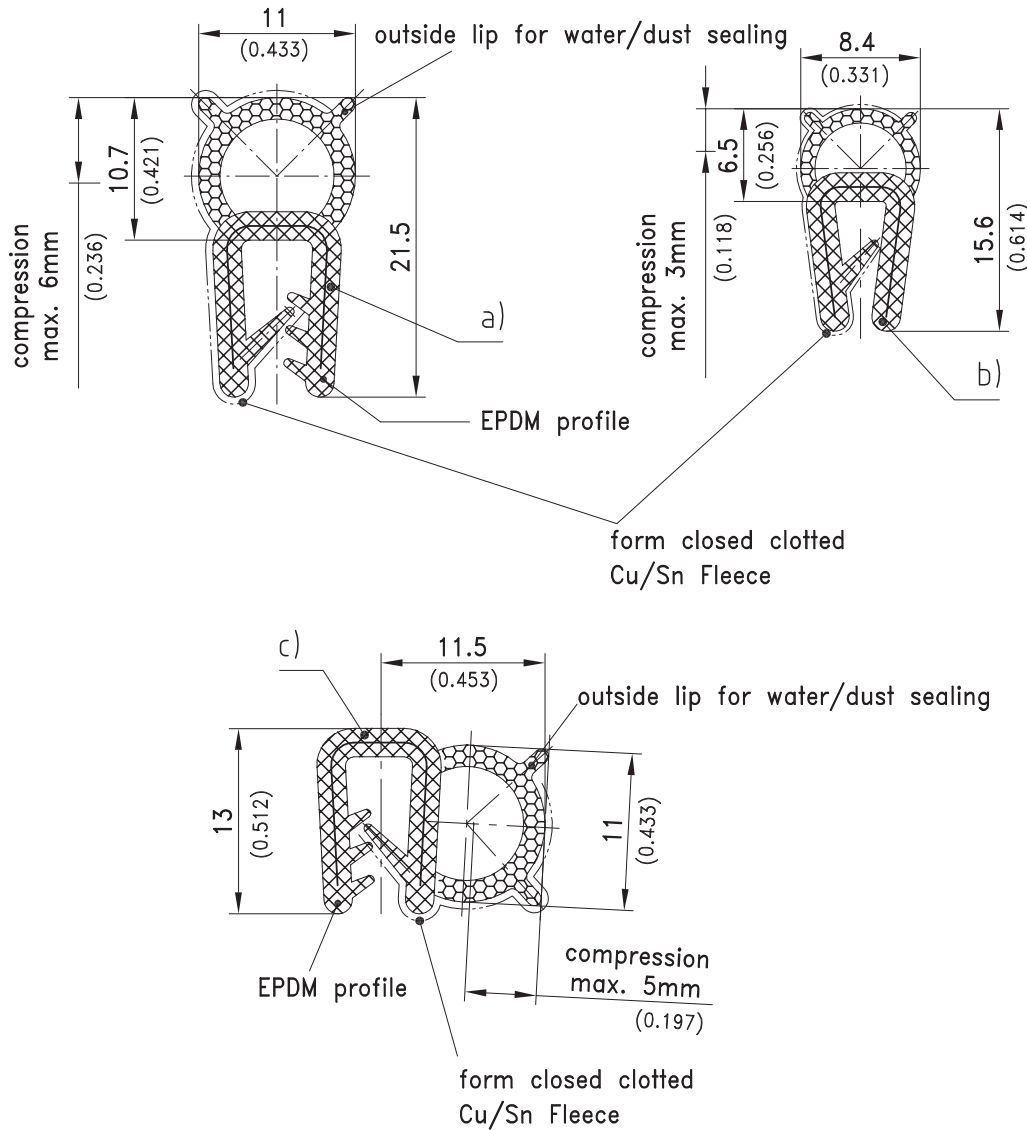
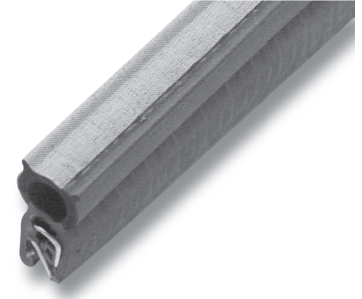
electromagnetic compatibility, in combination with water- and dust sealing



The EMI / RFI shielding profiles is an enhancement of gasketing see product system 5-150 and 5-151.

- Material:**
- **Carrier:** EPDM
 - **Fleece:** Cu/Sn coated

- These profiles possess an additional form closed clotted Cu/Sn fleece.
- Clip-on sealing.
- This profile adds the EMI / RFI shielding feature to the proven profile 209-0201/0202/0205, without changing your cabinet design.
- Additional profiles on request.



	clamping range	packaging unit	Part No.
a)	1.0 - 3.0mm	100m	209-1301.00-L2006
b)	1.0 - 2.0mm	100m	209-1305.00-00000
c)	2.0mm	100m	209-1302.00-L2006
Contact tape for EMI/RFI *		packaging unit	
12mm Contact Tape out of mat, 9mm mask		300m	209-1331.00-00012
22mm Contact Tape out of mat, 19mm mask		300m	209-1331.00-00022
25mm Contact Tape out of mat, 21mm mask		300m	209-1331.00-00025

*No stock item! Please contact DIRAK.

On request we put data sheets to your disposal.