

6-1600.01 Handle



METALIKA
Locking systems **KACIN**
www.metalika-kacin.com

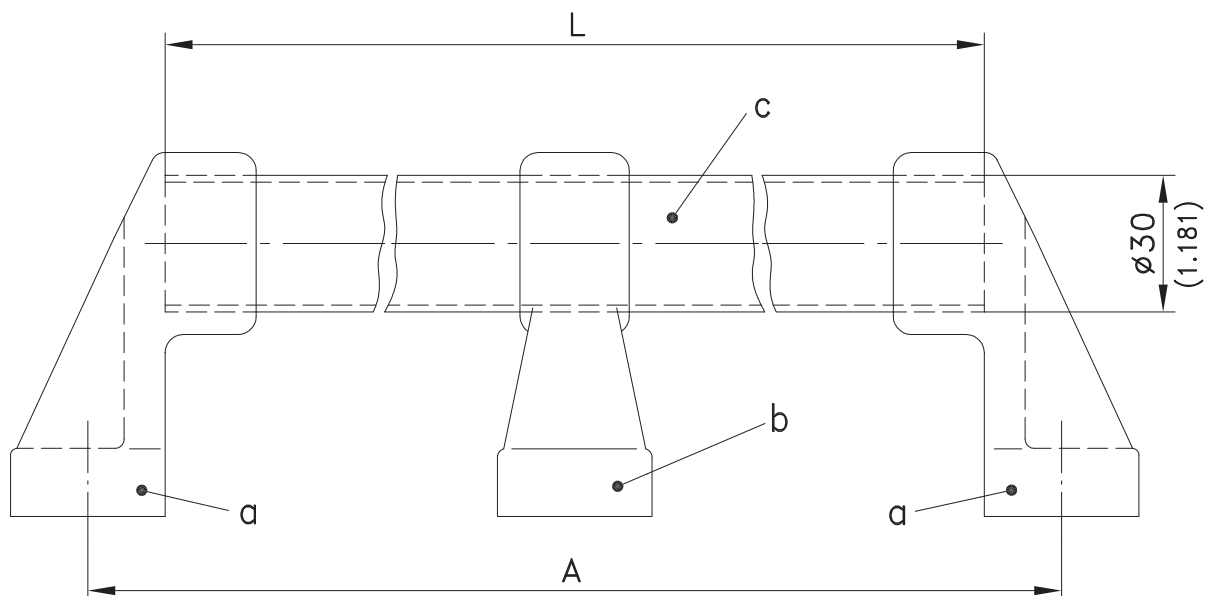
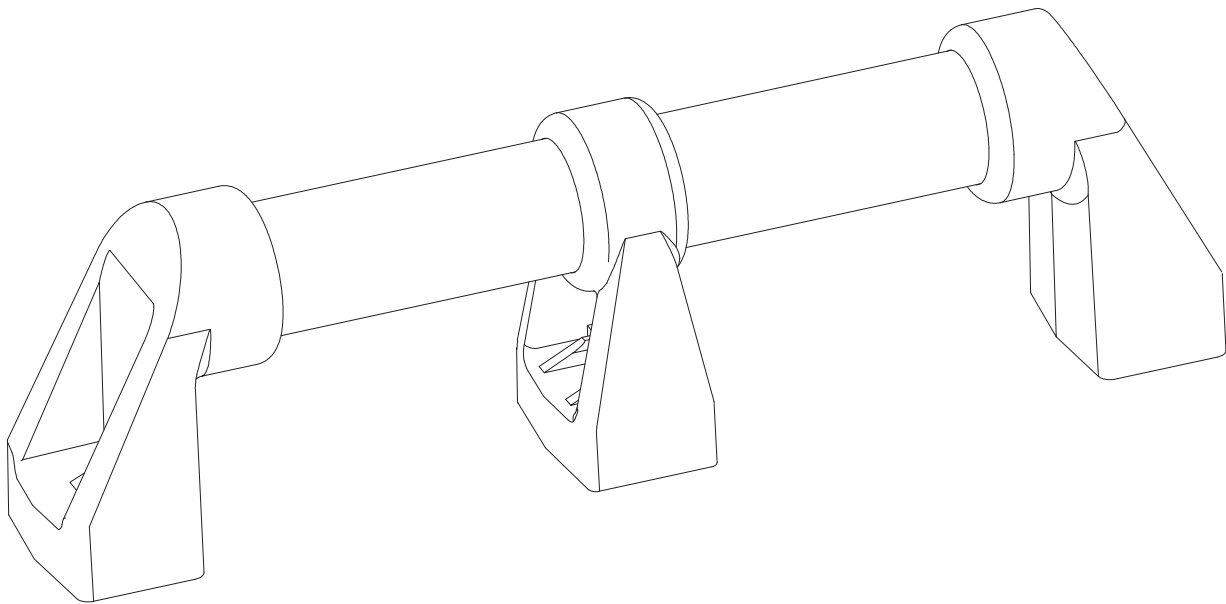


Handle with Ø30mm in various lengths.

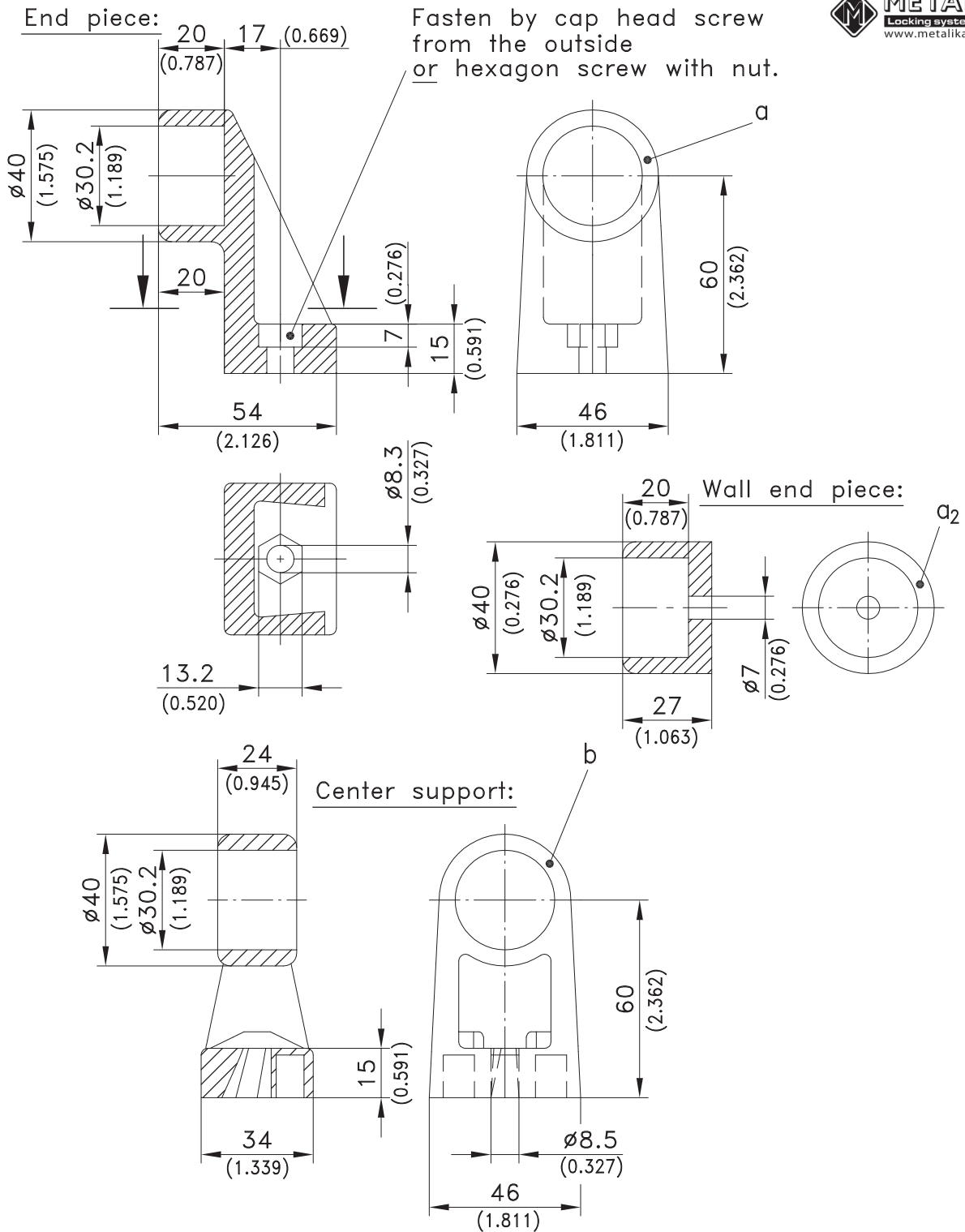
- Designed for vertical or horizontal uses.
- The great diameter of the tube guarantees a sure and firm grab.
- Well-fitting and firm seat of the tube in the center support and the end pieces.
- For the total size, please add 68mm to the tube length.
- The optional usable center supports make this handle suitable especially for large and heavy doors and controlling enclosures.

Material:

- a) and a2)
- **End piece:** PA, black
- b)
- **Center support:** PA, black
- c), c1) and c2)
- **Tube:** steel, PVC coated, black
- **Stainless steel on request.**



6-1600.01 Handle



version	Part No.		
a) End piece	213-0101.03-00000		
a2) Wall End piece	213-0107.03-00000		
b) Center support	213-0102.03-00000		
c) Steel tube Ø30 x 1.5mm	L in mm / inch	A in mm/inch	
	266 / 10.472	300 / 11.811	213-0401
	366 / 14.409	400 / 15.748	213-0402
	466 / 18.346	500 / 19.685	213-0403
	566 / 22.283	600 / 23.622	213-0404
	666 / 26.220	700 / 27.559	213-0405
	766 / 30.157	800 / 31.496	213-0406
c1) Steel tube, for Handle Ø30x1.5mm, length 2500mm / 98.425			213-0407
c2) Steel tube, Ø30x1.5mm, in special length			213-0408.00-L in mm

6-1600.02 Handle

bent



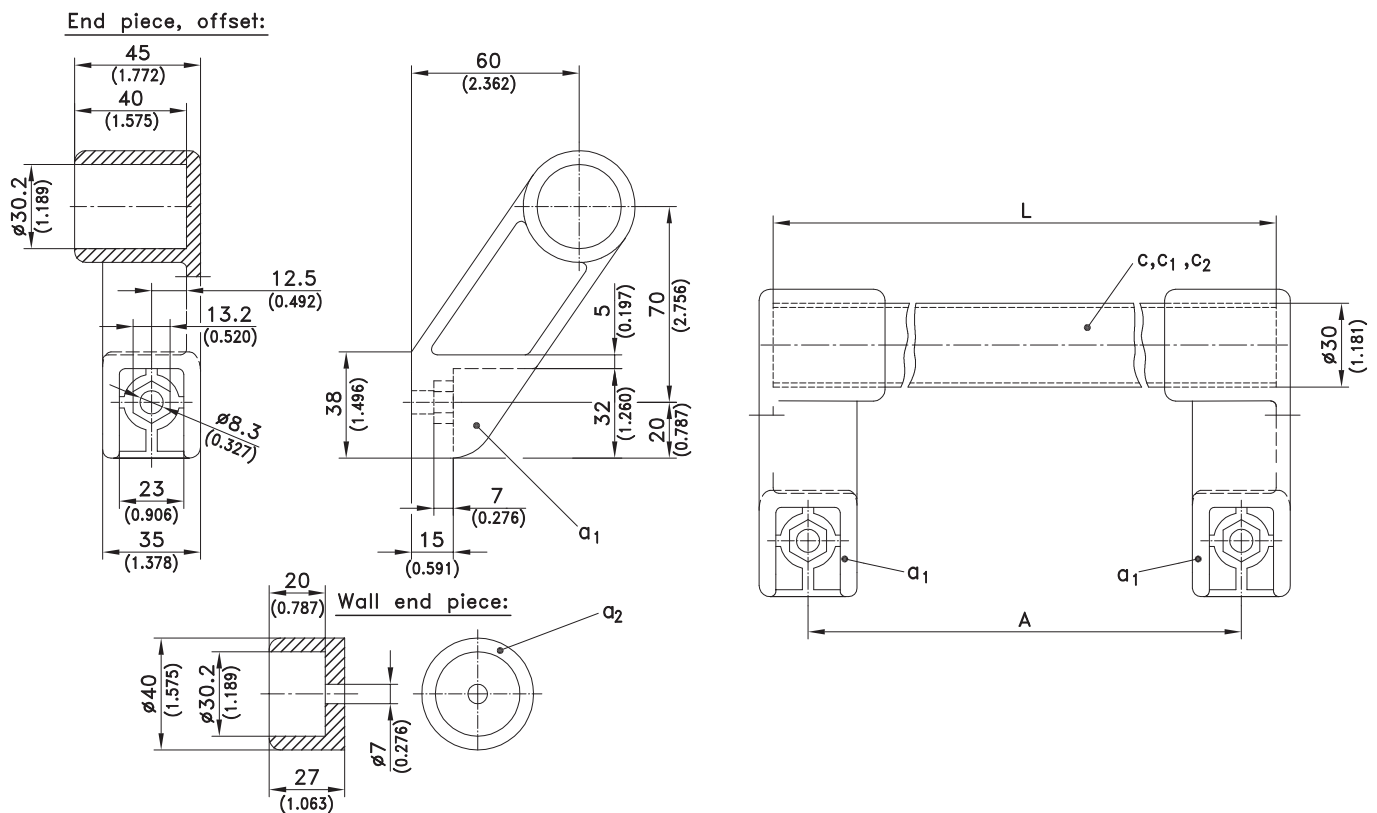
Handle, bent with Ø30mm in various length.

- Designed for vertical or horizontal uses.
- The great diameter of the tube guarantees a sure and firm grab.
- Well-fitting and firm seat of the end pieces.
- For the total size, please add 10mm to the tube length.

- This handle is suitable especially for large and heavy doors and controlling enclosures.
- For wall fastening please take the end piece a2).
- Fastening by hex. socket head cap screws, or hex. screws or with countersunk screws.

Material:

- a1) and a2)
- **End piece:** PA, black
- b)
- **Center support:** PA, black
- c), c1) and c2)
- **Tube:** steel, PVC coated, black
- **Stainless steel on request.**



version	Part No.
a1) End piece, offset, RH (as drawn)	213-0103.03-00000
LH	213-0104.03-00000
a2) Wall End piece	213-0107.03-00000
b) Center support	213-0102.03-00000

from product system 6-1600.01 (page 08.33) usable.

c) Steel tube Ø30 x 1.5mm	L in mm / inch	A in mm/inch	Part No.
	266 / 10.472	241 / 9.488	213-0401
	366 / 14.409	341 / 13.425	213-0402
	466 / 18.346	441 / 17.362	213-0403
	566 / 22.283	541 / 21.299	213-0404
	666 / 26.220	641 / 25.236	213-0405
	766 / 30.157	741 / 29.173	213-0406
c2) Steel tube, for Handle Ø30x1.5mm, length 2500mm / 98.425			213-0407
c1) Steel tube, Ø30x1.5mm, in special length			213-0408.00-L in mm