

4-701 Torque Hinge Pr01 270°

for nested door

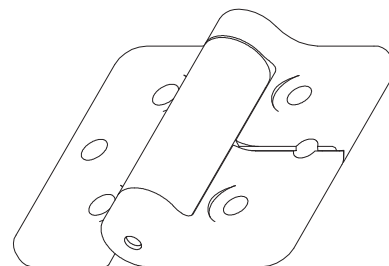
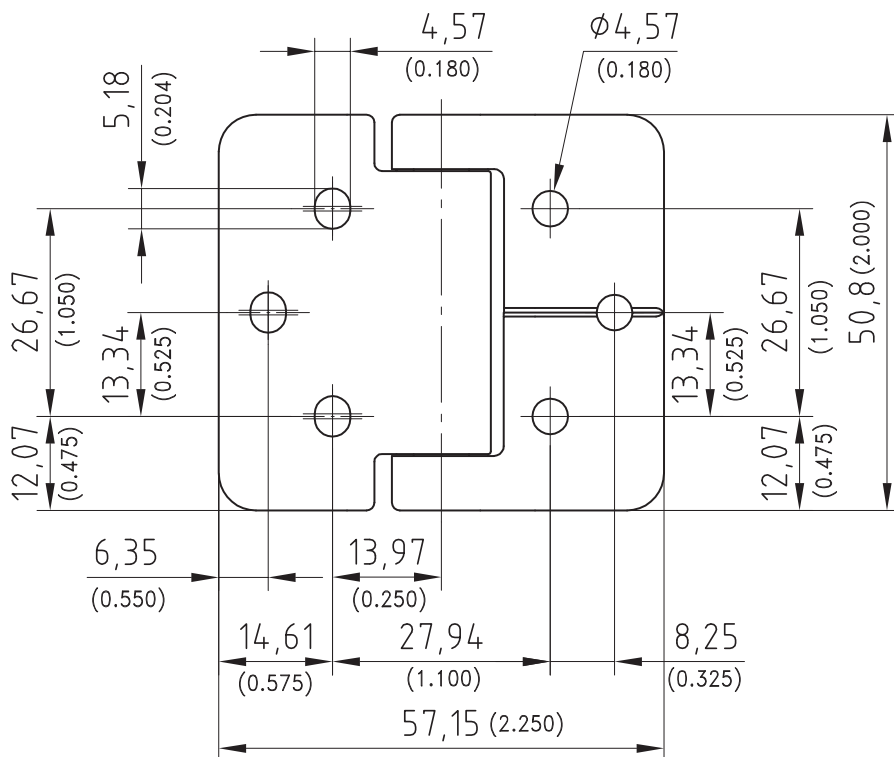
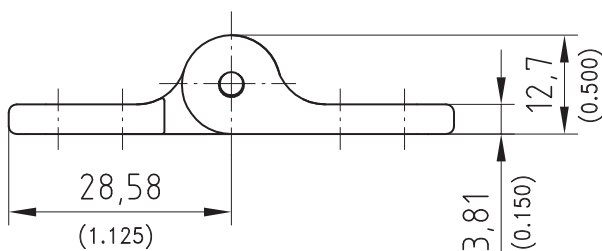


270° hinge with constant torque throughout its full range of motion. The object (door, monitor) may be moved into any position and with remain.

- Without any engagement.
- Springback typically < 1°
- Constant torque throughout its fully range of motion.
- Life of > 20.000 cycles
- RH and LH application.
- Applications: Office Equipment, Medical Devices, Computer Peripherals, Flat Panel Monitors, Acces Panels, Industrial Enclosures, Equipment Guards.
- Fastening: for example with M4 screw DIN-EN-ISO 4762

Material:

- **Housing:** zinc die, black coated
- **Shaft and torque clips:** hardened steel



Hinges

with **REELLTORQ** technology

Version	Nm	Part No.
Torque Hinge	1,36	703-9001.00-00120*
Torque Hinge	2,26	703-9001.00-00200*
Other NM, surfaces and special solutions on request.		

* Price and delivery time on request

04/12/2010 © copyright by DIRAK / Germany

DIRAK GmbH Königsfelder Str. 1 D-58256 Ennepetal
Phone: +49 (0) 2333.837-0 Fax: +49 (0) 2333.837-100 www.dirak.com

4-702 Torque Hinge Pr01 270°

for nested door

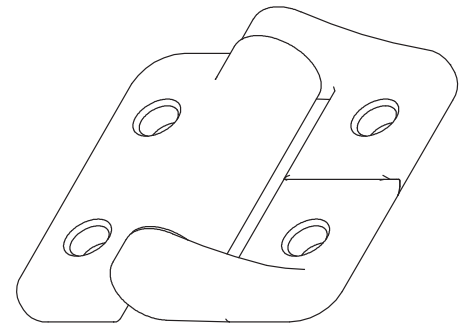
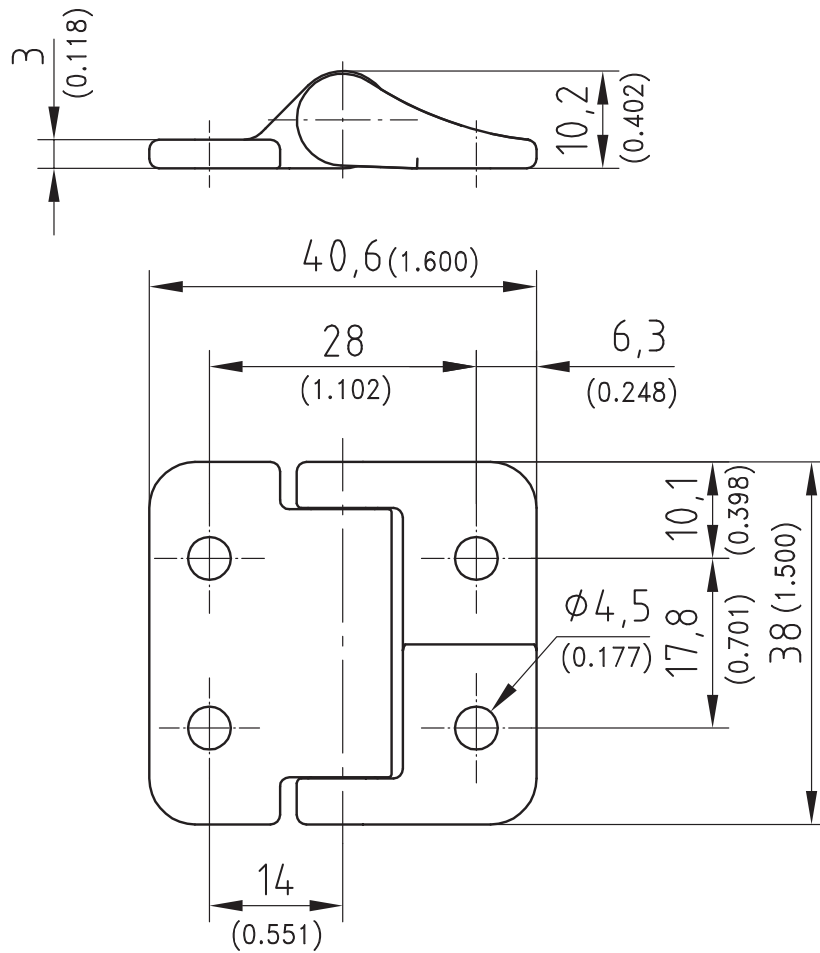


270° hinge with constant torque throughout its full range of motion. The object (door, monitor) may be moved into any position and with remain.

- Without any engagement.
- Springback typically < 1°
- Constant torque throughout its fully range of motion
- Life of > 20.000 cycles
- RH and LH application.
- Applications: Office Equipment, Medical Devices, Computer Peripherals, Flat Panel Monitors, Acces Panels, Industrial Enclosures, Equipment Guards.
- Fastening: for example with M4 screw
DIN-EN-ISO 4762

Material:

- **Housing:**
zinc die, black coated
- **Shaft and torque clips:**
hardened steel



Hinges

with **REELTORQ** technology

Version	Nm	Part No.
Torque Hinge	1,22	703-9002.00-00120*
Torque Hinge	2,01	703-9002.00-00200*
Other Nm, surfaces and special solutions on request.		

* Price and delivery time on request

04/12/2010
© copyright by DIRAK / Germany

DIRAK GmbH Königsfelder Str. 1 D-58256 Ennepetal
Phone: +49 (0) 2333.837-0 Fax: +49 (0) 2333.837-100 www.dirak.com

4-703 Torque Hinge Pr01 270°

for nested door

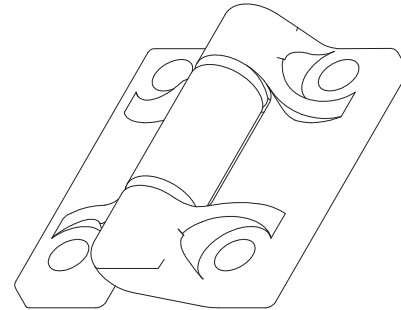
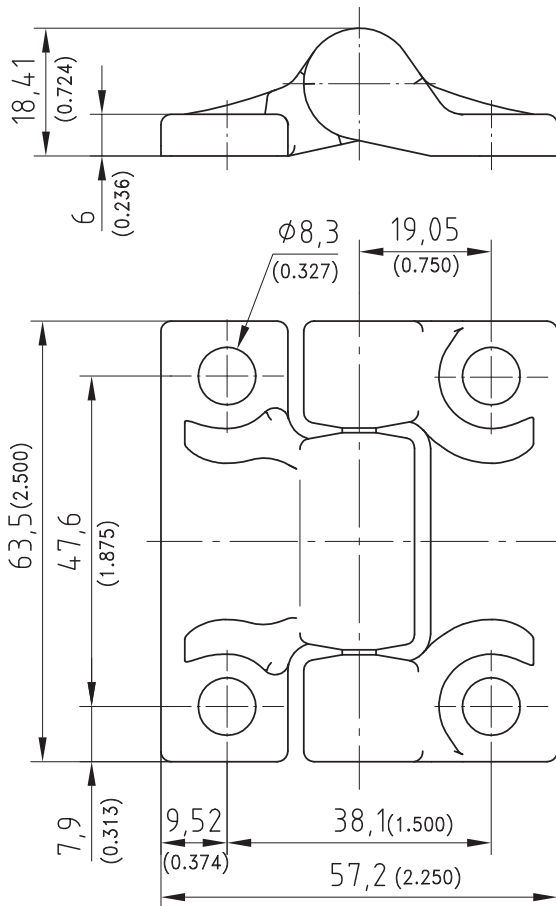
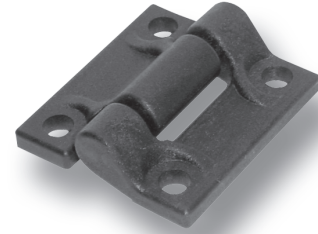


270° Hinge with constant torque throughout its full range of motion. The object (door, monitor) may be moved into any position and with remain.

- Without any engagement.
- Springback typically < 1°
- Constant torque throughout its fully range of motion
- Life of > 10.000 cycles
- RH and LH application.
- Applications: Office Equipment, Medical Devices, Computer Peripherals, Flat Panel Monitors, Acces Panels, Industrial Enclosures, Equipment Guards.
- Fastening: for example with M8 screw
DIN-EN-ISO 4762

Material:

- **Housing:** PA
- **Shaft and torque clips:** hardened steel



Hinges

with **REELLTORQ** technology

Version	Nm	Part No.
Torque Hinge	1,38	703-9003.00-00140*
Torque Hinge	2,16	703-9003.00-00220*
Other Nm, surfaces and special solutions on request.		

* Price and delivery time on request

04/12/2010 © copyright by DIRAK / Germany

DIRAK GmbH, Königsfelder Str. 1, D-58256 Ennepetal
Phone: +49 (0) 2333.837-0 Fax: +49 (0) 2333.837-100 www.dirak.com

4-704 Torque Hinge Pr01 360°

for nested door

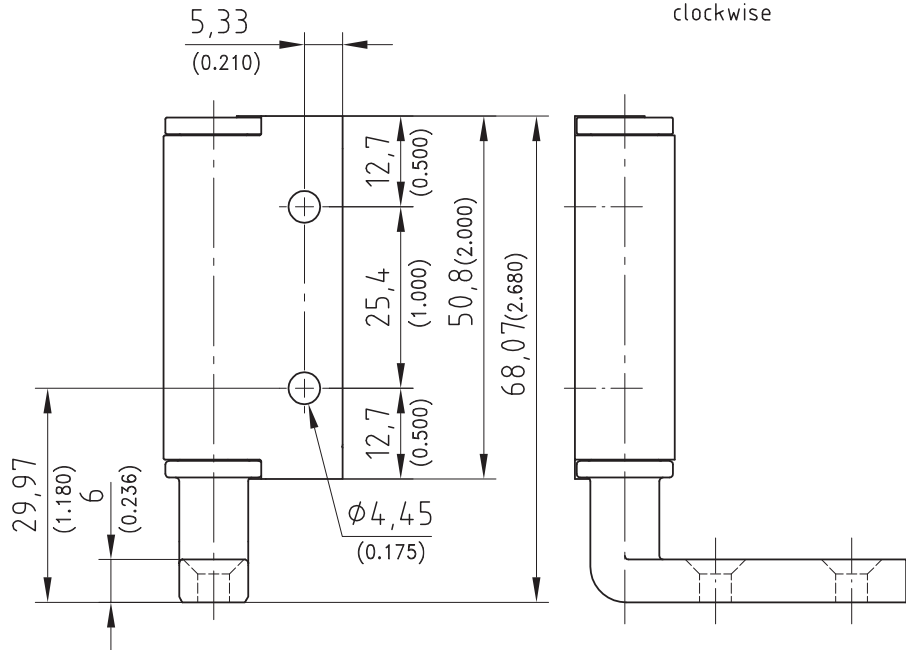
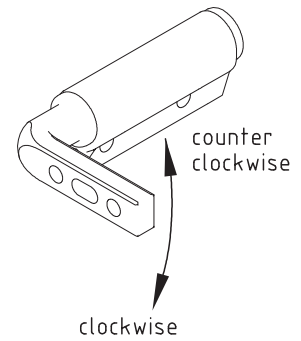
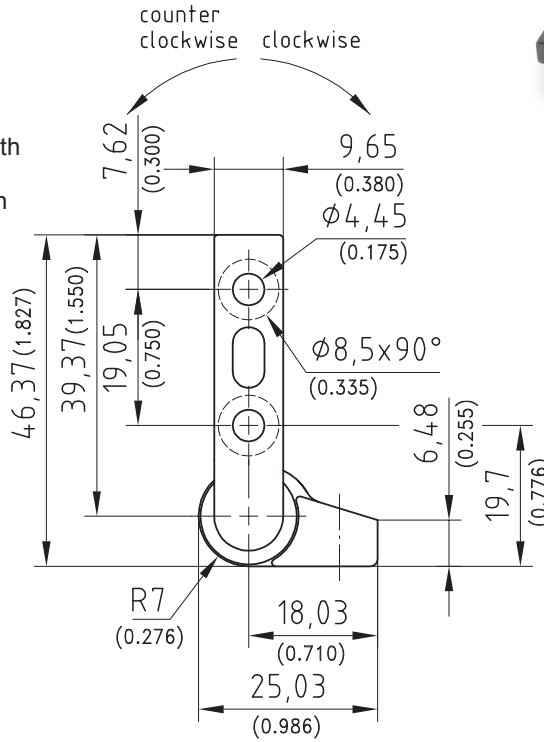


360° hinge with constant torque throughout its full range of motion. The object (door, monitor) may be moved into any position and with remain.

- Without any engagement.
- Springback typically < 1°
- Constant torque throughout its fully range of motion
- Life of > 20.000 cycles
- Applications: Office Equipment, Medical Devices, Computer Peripherals, Flat Panel Monitors, Acces Panels, Industrial Enclosures, Equipment Guards.
- Fastening frame part: for example with M4 screw DIN-EN-ISO 4762
- Fastening door part: for example with M4 countersunk screw DIN-EN-ISO 10642.

Material:

- **Frame part and Door part:** zinc die, black coated
- **Shaft and torque clips:** hardened steel



with **REELLTORQ** technology

Hinges

04/12/2010
© copyright by DIRAK / Germany

DIRAK GmbH Königsfelder Str. 1 D-58256 Ennepetal
Phone: +49 (0) 2333.837-0 Fax: +49 (0) 2333.837-100 www.dirak.com

Version	clockwise	counter clockwise	Part No.
Torque Hinge LH (as drawn)	5.00Nm	3.25Nm	703-9004.00-00325*
Torque Hinge RH	3.25Nm	5.00Nm	703-9005.00-00325*

* Price and delivery time on request

4-707 Torque Hinge Pr01 360°

for nested door



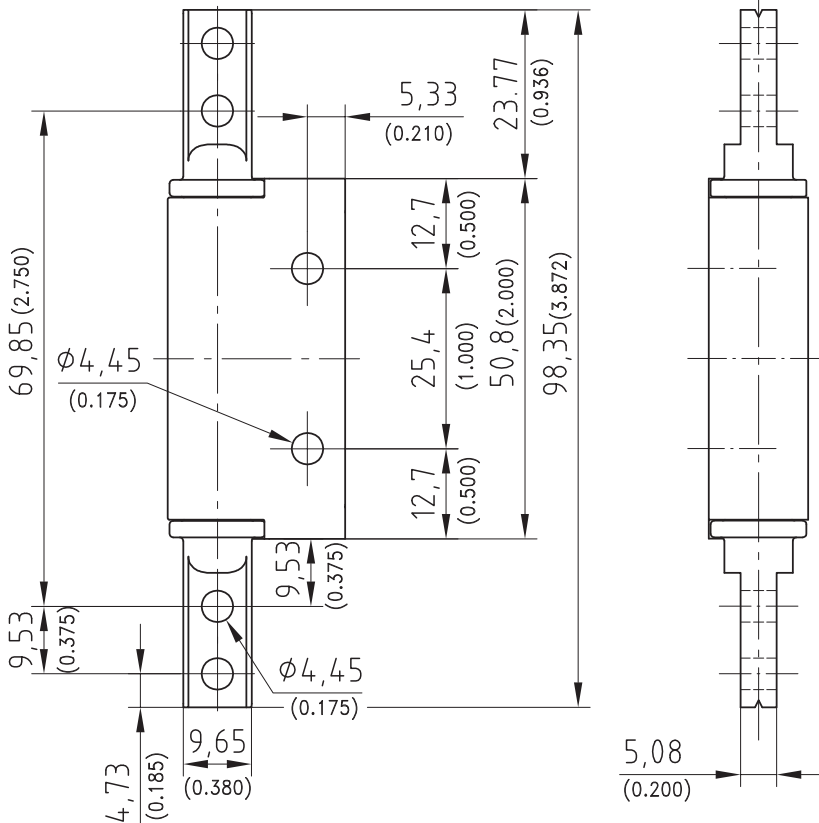
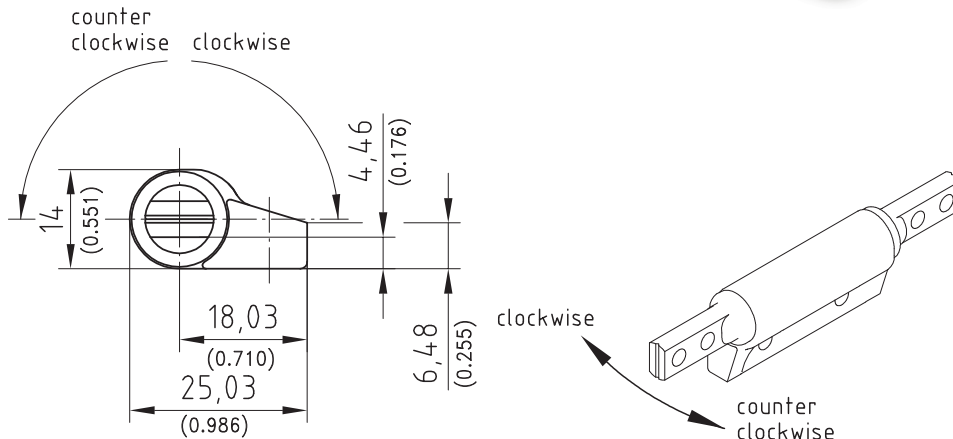
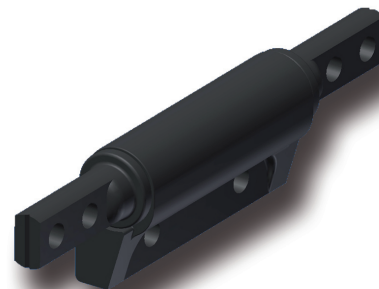
360° hinge with constant torque throughout its full range of motion. The object (door, monitor) may be moved into any position and with remain.

- Without any engagement.
- Springback typically < 1°
- Constant torque throughout its fully range of motion
- Life of > 20.000 cycles

- Applications: Office Equipment, Medical Devices, Computer Peripherals, Flat Panel Monitors, Acces Panels, Industrial Enclosures, Equipment Guards.
- Fastening: for example with M4 screw DIN-EN-ISO 4762

Material:

- **Frame and Door-part:** zinc die, black coated
- **Shaft and torque clips:** hardened steel



with **REELLTORQ** technology

Version	clockwise	counter clockwise	Part No.
Torque Hinge	5.00Nm	3.25Nm	703-9009.00-00325*
Torque Hinge	3.25Nm	5.00Nm	703-9010.00-00325*

* Price and delivery time on request

04/12/2010 © copyright by DIRAK / Germany

DIRAK GmbH Königsfelder Str. 1 D-58256 Ennepetal Phone:+49 (0) 2333.837-0 Fax: +49 (0) 2333.837-100 www.dirak.com