

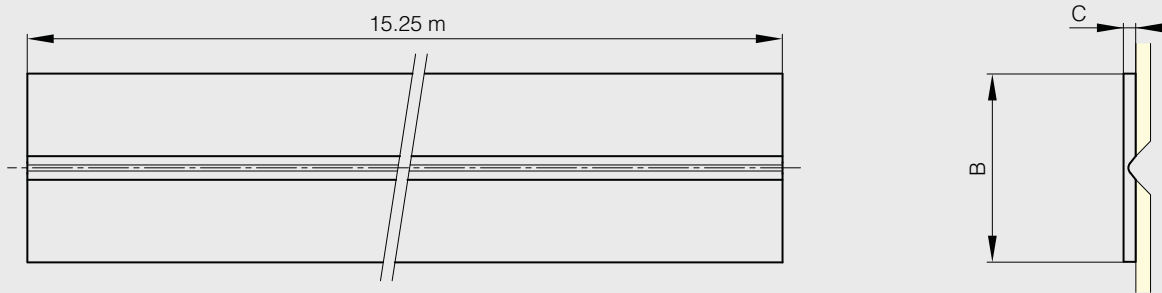


Continuous plastic hinge in 15,25 meter rolls

Technical features :

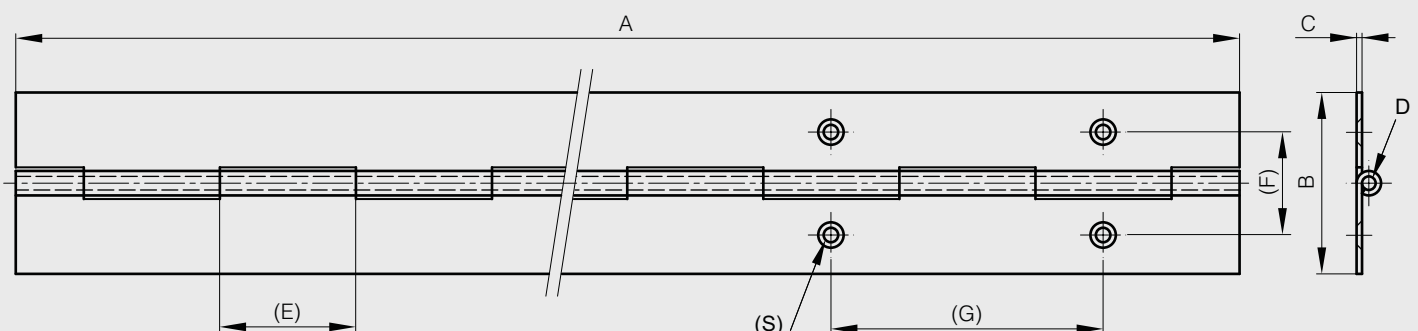
- Temperatures: -40°C up to +80°C
- Can be fixed with: rivets, screws, nails or clamps
- Chemical resistance : oil, solvents, sea water and most chemical agents
- Tensile resistance : 180N/cm
- Material offers excellent fatigue resistance

B	C	material	finish	part number	weight
28.6	3.2	polypropylene	white	44-7-3000	1050g
28.6	3.2	polypropylene	grey	44-7-3001	1050g
28.6	3.2	polypropylene	black	44-7-3002	1050g
38.1	3.2	polypropylene	white	44-7-3003	1450g
38.1	3.2	polypropylene	grey	44-7-3004	1450g
38.1	3.2	polypropylene	black	44-7-3005	1450g
50.8	3.2	polypropylene	white	44-7-3006	2300g
50.8	3.2	polypropylene	grey	44-7-3007	2300g
50.8	3.2	polypropylene	black	44-7-3008	2300g
76.2	3.2	polypropylene	white	44-7-3009	2900g
76.2	3.2	polypropylene	grey	44-7-3010	2900g
76.2	3.2	polypropylene	black	44-7-3011	2900g



Rolled knuckle continuous hinges «Imperial» dimension

A	B	C	D	E	note	material	finish	part number	weight
6'	1"	0.04"	0.08"	5/8"	undrilled	304 stainless steel	raw	42-1-4096	500g
6'	1" 1/4	0.04"	0.08"	5/8"	undrilled	304 stainless steel	raw	42-1-4089	500g
6'	1" 1/4	3/64"	1/8"	3/4"	undrilled	304 stainless steel	raw	42-1-4346	790g
6'	1" 1/2	3/64"	1/8"	3/4"	undrilled	304 stainless steel	raw	42-1-4347	940g
6'	2"	3/64"	1/8"	3/4"	undrilled	304 stainless steel	raw	42-1-4348	1100g
6'	2"	1/16"	5/32"	5/8"	undrilled	304 stainless steel	raw	42-1-4219	1500g
7'	2" 1/4	1/16"	5/32"	5/8"	undrilled	304 stainless steel	raw	42-1-4220	2000g
6'	2" 1/2	1/16"	5/32"	5/8"	undrilled	304 stainless steel	raw	42-1-4221	1800g
6'	2" 3/4	1/16"	5/32"	5/8"	undrilled	304 stainless steel	raw	42-1-4097	1900g
7'	3"	1/16"	5/32"	5/8"	undrilled	304 stainless steel	raw	42-1-4094	2400g
7'	5"	0.08"	1/4"	1" 1/4	undrilled	304 stainless steel	raw	42-1-4095	5000g

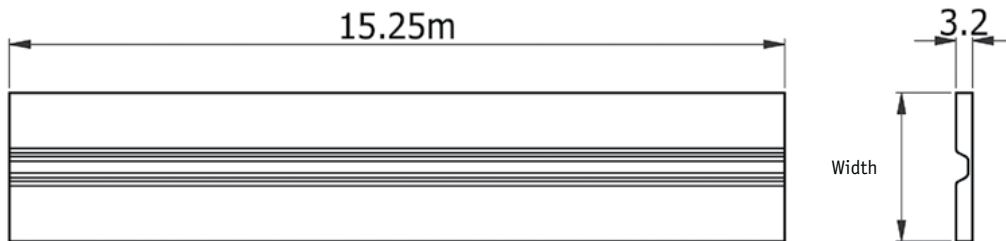


Continuous Plastic Hinge



Polypropylene

- Temperature range -40C to +80C
- Can be fixed with; rivets, screws, nails or clamps
- Chemical resistance; oil, solvents and sea water
- Tensile resistance - 180N/cm
- Supplied in 15.25m rolls



Part Number	Colour	Width	Std Pack Qty (metres)
493466	White	28.6	15.25
493467	Grey	28.6	15.25
493468	Black	28.6	15.25
493469	White	38.1	15.25
493470	Grey	38.1	15.25
493471	Black	38.1	15.25
493472	White	50.8	15.25
493473	Grey	50.8	15.25
493474	Black	50.8	15.25