



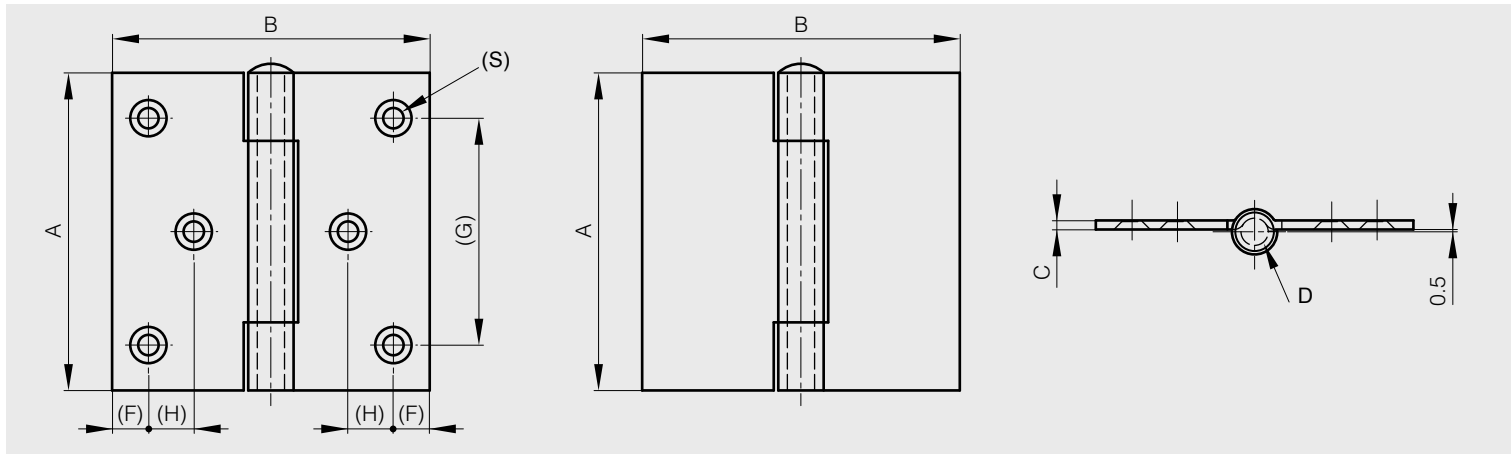


# Hinges / Small hinges

## Square hinges with two offset leaves and removable pin - with 6 holes

Removable pin

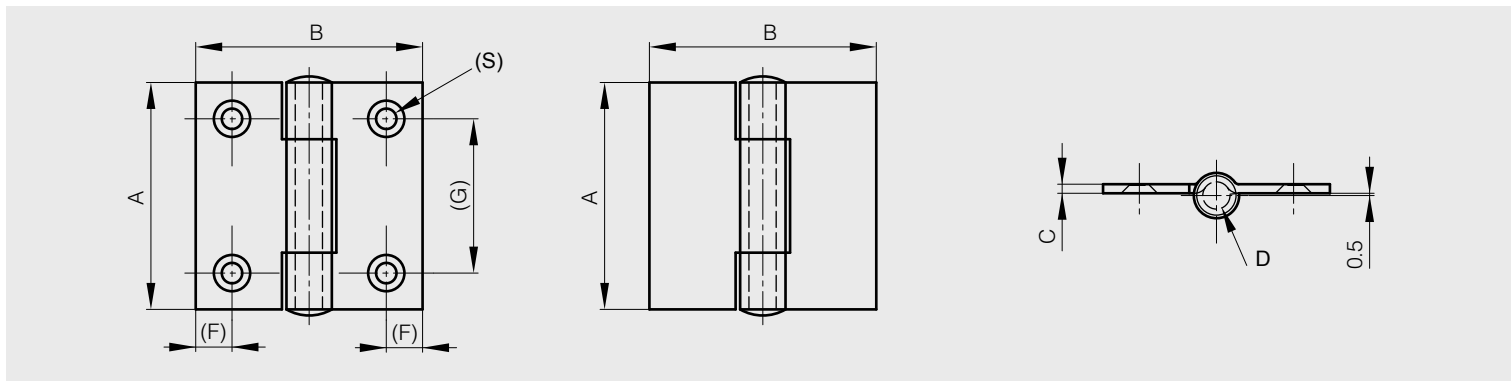
A	B	C	D	F	G	H	S	part number	material	finish	weight
70	70	2	6	8	50	18	4	50-7-3583	steel	zinc plated	156g
80	80	2.5	6	8	60	20.5	4	50-7-3584	steel	zinc plated	164g
70	70	2	6	8	50	18	4.5	52-1-3614	304 stainless steel	raw	156g
80	80	2.5	6	8	60	20.5	4.5	52-1-3616	304 stainless steel	raw	164g



## Square hinges with two offset leaves and riveted pin - with 4 holes

Riveted pin

A	B	C	D	F	G	S	part number	material	finish	weight
40	40	2	4	8	24	4	52-1-3609	304 stainless steel	raw	34g
50	50	2	6	8	34	4.5	52-1-3611	304 stainless steel	raw	61g
60	60	2	6	8	40	4.5	52-1-3613	304 stainless steel	raw	82g
50	50	2	6	8	34	4.5	52-1-3709	316 stainless steel	raw	61g
40	40	2	4	8	24	4	52-1-3872	316 stainless steel	raw	34g
60	60	2	6	8	40	4.5	52-1-3873	316 stainless steel	raw	82g

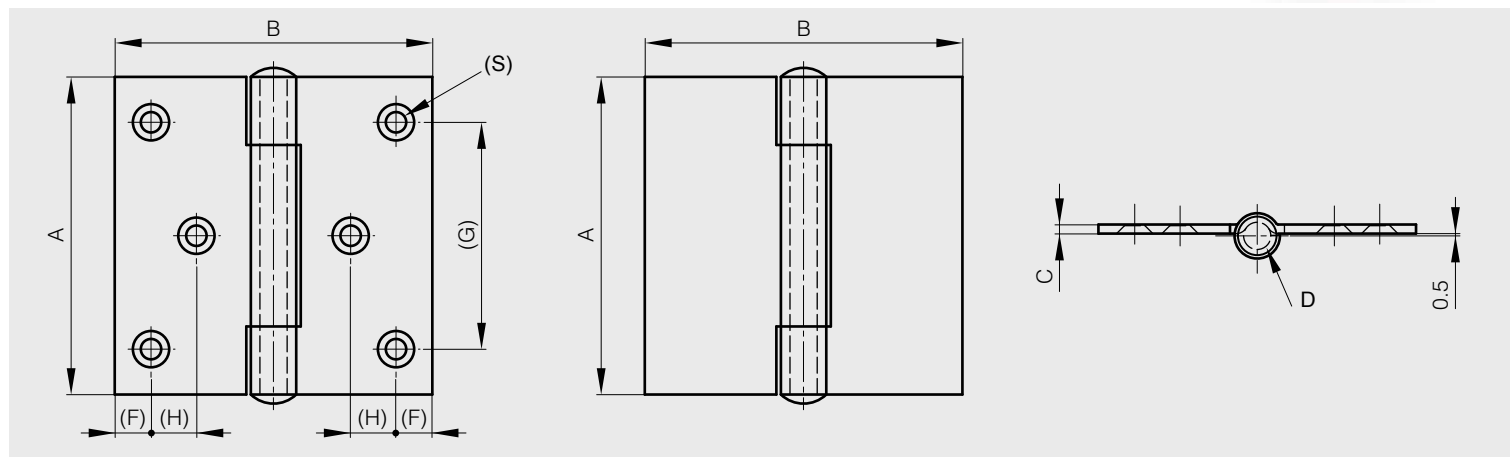




## Square hinges with two offset leaves and riveted pin - with 6 holes

Riveted pin

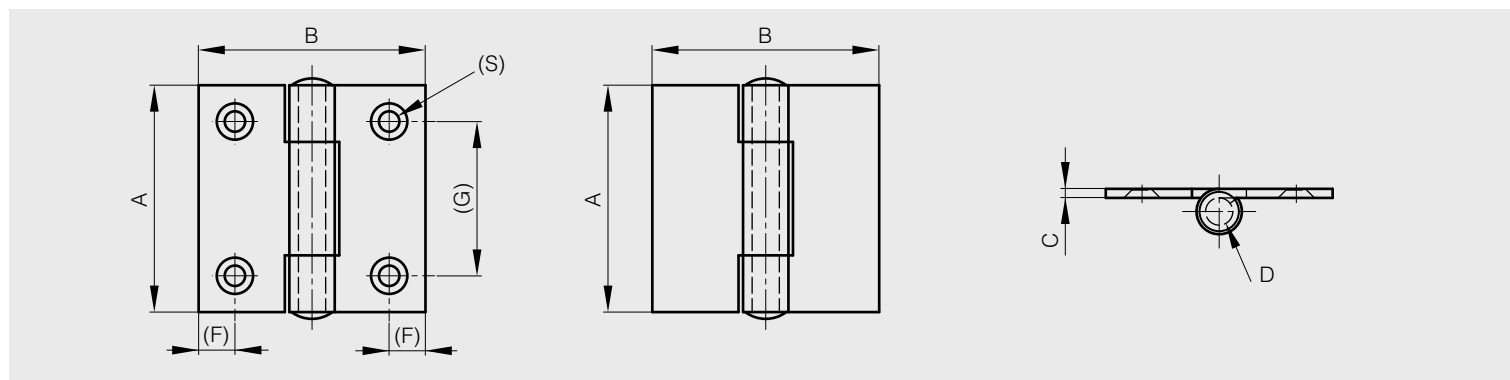
A	B	C	D	F	G	H	S	part number	material	finish	weight
70	70	2	6	8	50	18	4.5	52-1-3615	304 stainless steel	raw	156g
80	80	2.5	6	8	60	20.5	4.5	52-1-3617	304 stainless steel	raw	164g



## Square hinges with no offset leaf and riveted pin - no holes

Riveted pin

A	B	C	D	part number	material	finish	weight
40	40	2	4	50-1-3916	steel	raw	34g
50	50	2.5	4.5	50-1-3648	steel	raw	75g
50	50	2	6	50-1-3917	steel	raw	61g
60	60	2	6	50-1-3918	steel	raw	82g
70	70	2	6	50-1-3919	steel	raw	112g
80	80	2.5	6	50-1-3920	steel	raw	168g
100	100	2.5	6	50-1-3921	steel	raw	248g
40	40	2	4	52-1-3679	304 stainless steel	raw	34g
50	50	2	6	52-1-3694	304 stainless steel	raw	61g
60	60	2	6	52-1-3695	304 stainless steel	raw	82g
70	70	2	6	52-1-3864	304 stainless steel	raw	112g
80	80	2.5	6	52-1-3865	304 stainless steel	raw	168g
100	100	2.5	6	52-1-3866	304 stainless steel	raw	248g
40	40	2	4	52-1-3869	316 stainless steel	raw	34g
50	50	2	6	52-1-3870	316 stainless steel	raw	61g
60	60	2	6	52-1-3871	316 stainless steel	raw	82g

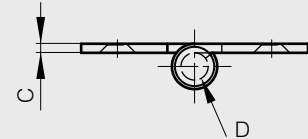
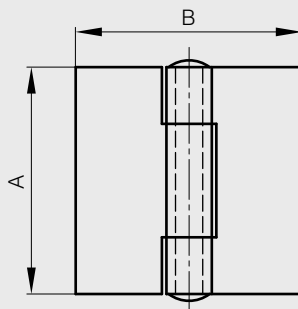
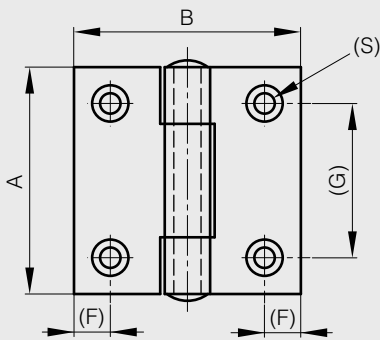




## Square hinges with no offset leaf and riveted pin - with 4 holes

Riveted pin

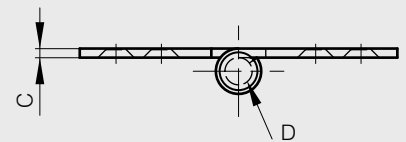
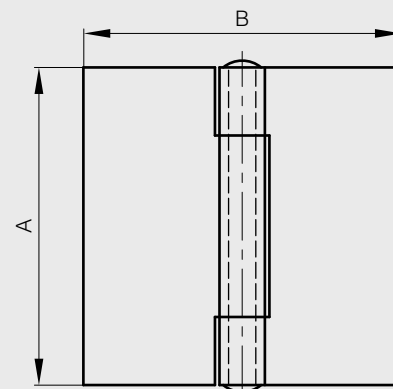
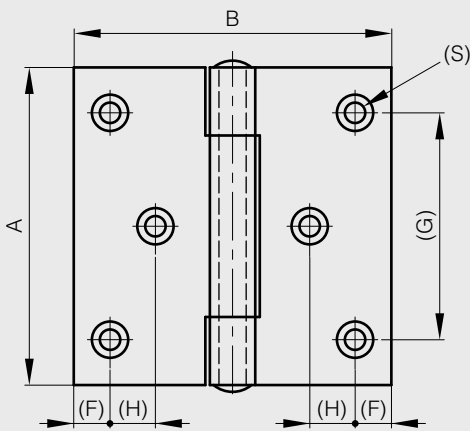
A	B	C	D	F	G	S	part number	material	finish	weight
40	40	2	4	8	24	4	52-1-3861	304 stainless steel	raw	32g
50	50	2	6	8	34	4.5	52-1-3862	304 stainless steel	raw	59g
60	60	2	6	8	40	4.5	52-1-3863	304 stainless steel	raw	80g
40	40	2	4	8	24	4	52-1-3874	316 stainless steel	raw	32g
50	50	2	6	8	34	4.5	52-1-3710	316 stainless steel	raw	59g
60	60	2	6	8	40	4.5	52-1-3875	316 stainless steel	raw	80g



## Square hinges with no offset leaf and riveted pin - with 6 holes

Riveted pin

A	B	C	D	F	G	H	S	part number	material	finish	weight
70	70	2	6	8	50	18	4.5	52-1-3867	304 stainless steel	raw	110g
80	80	2.5	6	8	60	20.5	4.5	52-1-3868	304 stainless steel	raw	166g

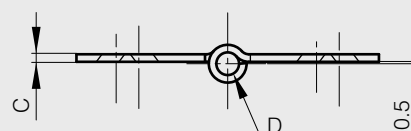
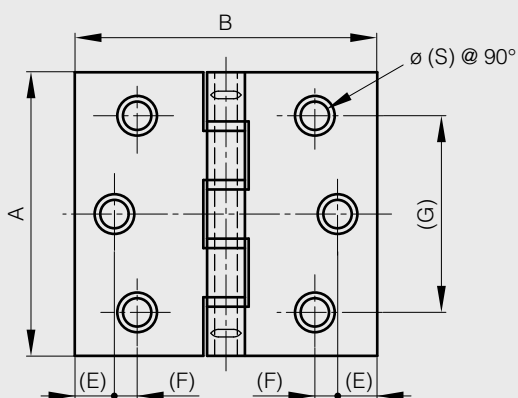




## Hinge with nylon washers

Teflon plated pin in 430 stainless steel blocked with 2 punches  
4 nylon washers

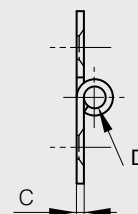
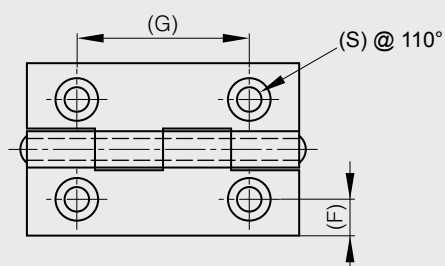
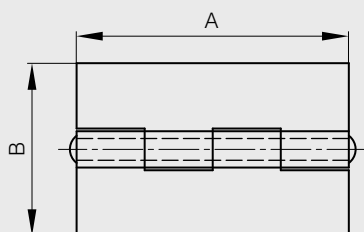
A	B	C	D	E	F	G	S	part number	material	finish	weight
75	80	2	6	10.5	6.5	52	7.5	52-1-3790	304 stainless steel	raw	120g



## 50 x 30 hinge

Drilled hinge with riveted pin

A	B	C	D	F	G	S	part number	material	finish	weight
50	30	1	3	6.5	35	3.5	52-1-3571	304 stainless steel	raw	16g

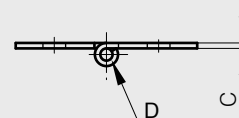
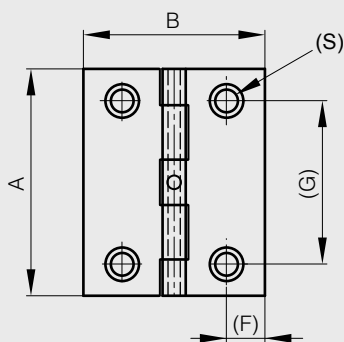
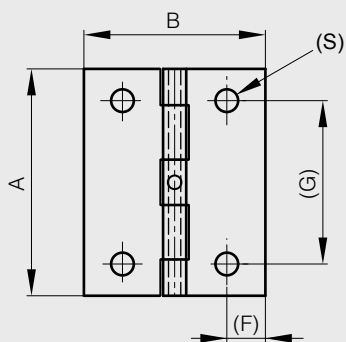




## 50 x 40 hinges

Available in 2 versions: with 4 x 5mm diameter holes (S) or 4 x 5mm countersunk holes (S)

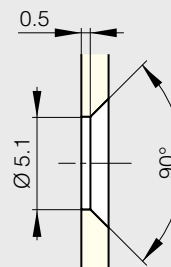
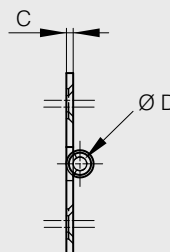
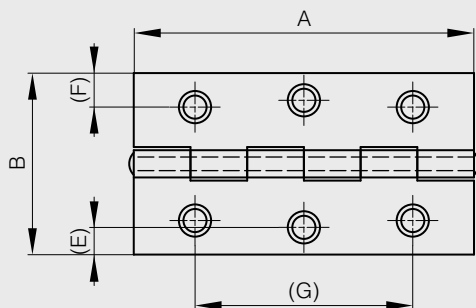
A	B	C	D	F	G	S	note	part number	material	finish	weight
50	40	1.2	2.7	8.5	36	5	countersunk version	50-1-3526	steel	zinc plated	24g
50	40	1.2	2.7	8.5	36	5	drilled	50-1-3525	steel	zinc plated	24g
50	40	1.2	2.7	8.5	36	5	countersunk version	52-1-3592	304 stainless steel	raw	24g
50	40	1.2	2.7	8.5	36	5	drilled	52-1-3607	304 stainless steel	raw	24g



## 75 x 40 hinge

**new!**

A	B	C	D	E	F	G	part number	material	finish	weight
75	40	1.5	3	6	7.5	48	52-1-3990	304 stainless steel	raw	40g

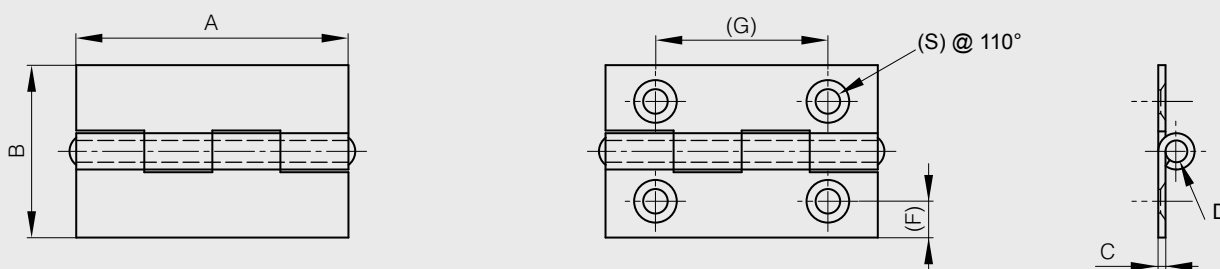




## Hinges

Only part number 50-7-3558 has a riveted pin

A	B	C	D	F	G	S	note	part number	material	finish	weight
30	19	0.8	2.4	4	19	2	drilled	50-7-3617	steel	raw	5.5g
30	19	0.8	2.4				undrilled	50-7-3618	steel	raw	5.6g
35	22	0.8	2.4	4	22	2.5	drilled	50-7-3549	steel	raw	7g
35	22	0.8	2.4				undrilled	50-7-3557	steel	raw	7.5g
40	25	0.9	2.7				undrilled	50-7-3558	steel	raw	10.2g
40	25	0.9	2.7	5	27	2.5	drilled	50-7-3550	steel	raw	10g
50.3	29.8	1	2.4	7.2	35.2	2.5	drilled	50-7-3551	steel	raw	15g
50.3	29.8	1	2.4				undrilled	50-7-3559	steel	raw	15.5g



All hinges have riveted pins except 50-7-3552, 50-7-3553, 50-7-3561

A	B	C	D	F	G	S	note	part number	material	finish	weight
60	35	1	3	8	44	2.5	drilled	50-7-3552	steel	raw	22.5g
60	35	1	3				undrilled / headed pin	50-7-3560	steel	raw	23g
70	41.5	1	3.5	8.7	52	3	drilled	50-7-3553	steel	raw	39g
70	41.5	1	3.5				undrilled	50-7-3561	steel	raw	40g
80	45	1.2	3.9				undrilled / headed pin	50-7-3562	steel	raw	48g
80.5	45.4	1	3.5	9.6	59.3	4	drilled / headed pin	50-7-3554	steel	raw	47g
100	50	1.5	4.9	10	77	4.5	drilled / headed pin	50-7-3556	steel	raw	85g
100	50	1.5	4.9				undrilled / headed pin	50-7-3564	steel	raw	86g

