

4-393 Concealed Hinge Pr02 120°

Lift-off, for nested door, snap-in



Concealed Hinge for nested door.

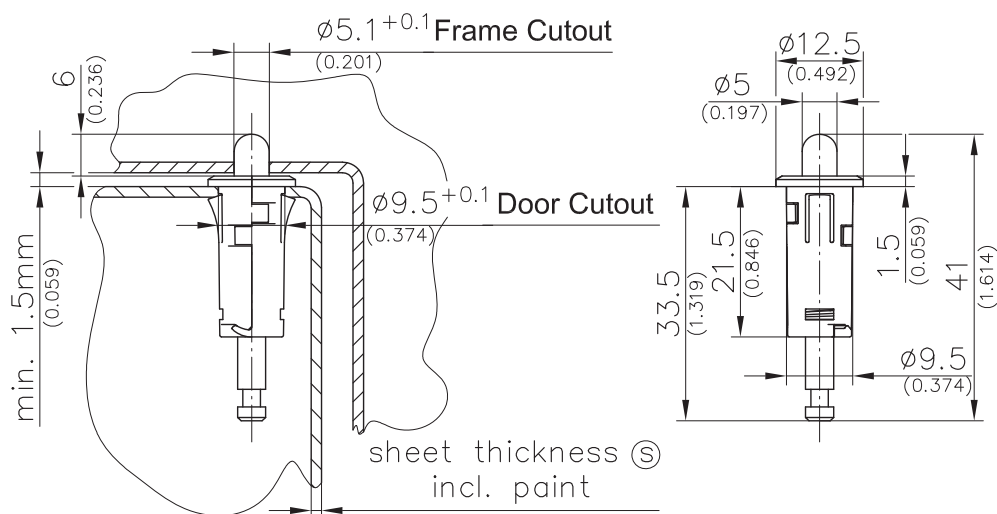
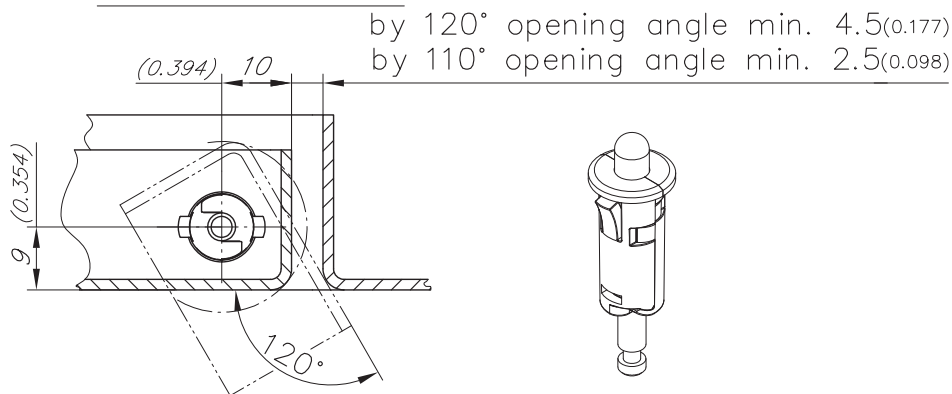
- Can be applied both at the top and at the bottom of the door.
- Small space requirement.
- A simple clip-in fitting. Door cutout and frame cutout differ.
- The spring loaded pin allows for an easy and quick installation and removal of the door.
- Application: wall-mounted and 19" light duty enclosures.

Material:

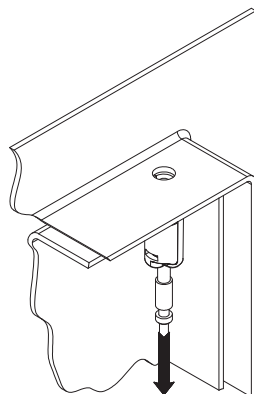
- **Housing:** PA, black
- **Pin:** steel, zinc plated
- **Spring:** stainless steel



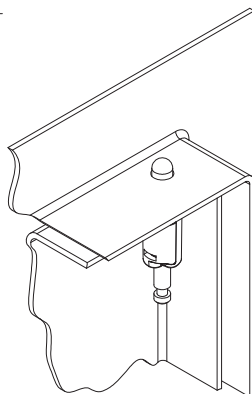
Example of application



Operation



pull the spring-loaded pin for installation and removal of the door



door fitted

Hinges

04/12/2010 © copyright by DIRAK / Germany

Concealed Hinge	Ⓢ	Part No. 245-9303
	1,4 (0.055) - 1,6 (0.063) mm	

4-392 Concealed Hinge Pr02 120°

Lift-off, for nested door



Versions LH and RH with springloaded pin for extension of the door.

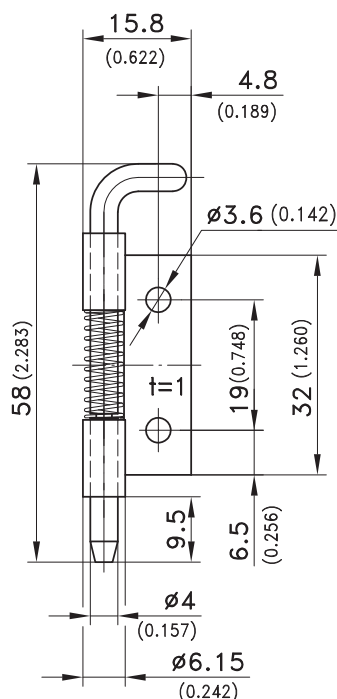
- Version Ø5mm is just welded-on.
- Versions Ø4mm and Ø6mm are welded-on or screwed-on.

Material:

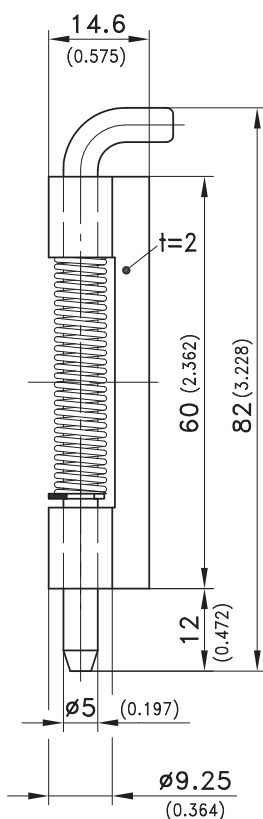
- **Roller:** steel or steel zinc plated
- **Pin:** steel, zinc plated
- **Spring:** stainless steel



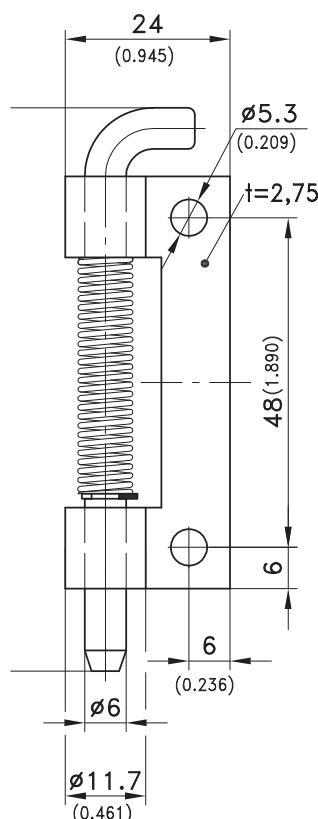
Version Ø4



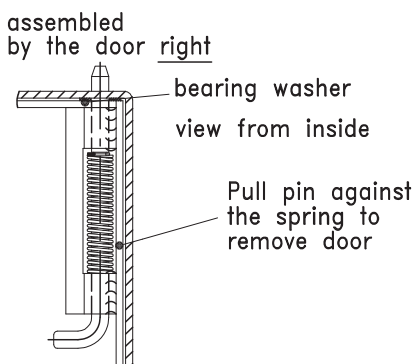
Version Ø5



Version Ø6



Example of application



04/12/2010 © copyright by DIRAK / Germany

Version	Ø4	Ø5	Ø6 (roll: not plated)	Ø6 (roll: zinc plated)	see page
Loose parts (not assembled)	-	245-9105*	245-9106*	245-9109*	
Pre-assembled RH (as drawn)	245-9001	245-9103	245-9101	245-9107	
Pre-assembled LH (mirror inverted)	245-9002	245-9104	245-9102	245-9108	
Stainless steel version					10.54

*Because some hinge bodies have to be welded on and painted, we offer these hinges loose, not assembled.

4-390 Concealed Hinge Pr02 110°

Lift-off, for nested door

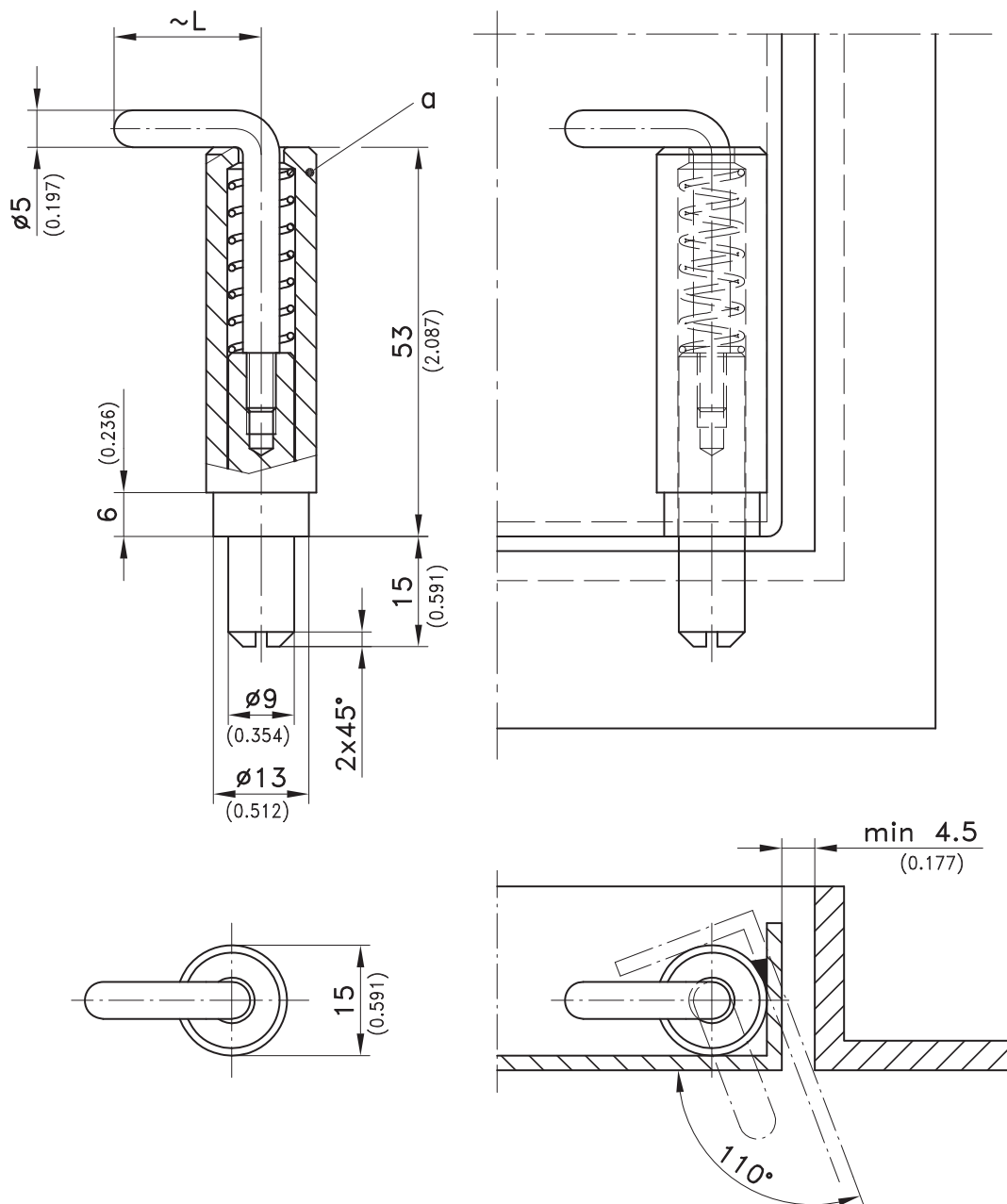


110° Weld-on hinge for RH and LH applications.

- The barrel (steel, not plated) is welded-in.
- After the painting process, the slotted pivot pin, hooked pin and spring have to be assembled.
- Opening angle 110°.

Material:

- **Bezel:** steel, untreated
- **Pin with slot:** steel, zinc plated
- **Hook pin:** steel, zinc plated
- **Spring:** spring steel, zinc plated



Hinges

	Part No.
a) Weld-on hinge L=20	241-9001
a1) Weld-on hinge L=35	241-9002

Stainless steel version on request

04/12/2010
© copyright by DIRAK / Germany

7-250 Concealed Hinge Pr02 120°

stainless steel AISI 304, for nested door

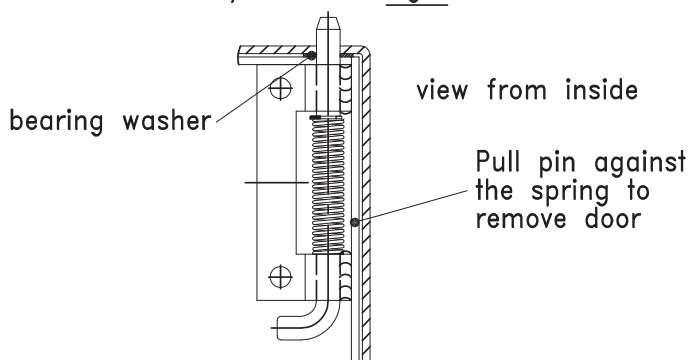
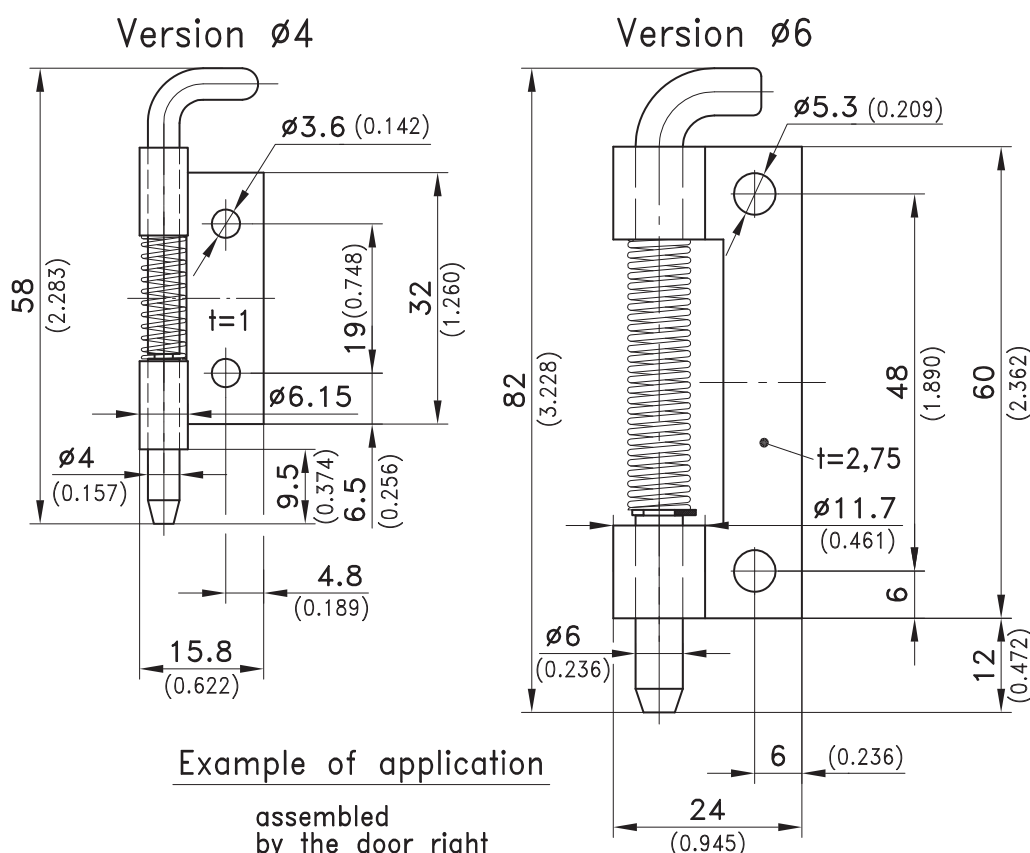


Hinge with springloaded pin, stainless steel version.

- Welded-on and screwed-on.

Material:

- Roll, pin and spring: stainless steel



04/12/2010 © copyright by DIRAK / Germany

	Version Ø4	Version Ø6
loose parts (not assembled)	-	245-9112
Pre-assembled RH (as drawn)	245-9003	245-9110
Pre-assembled LH (mirror inverted)	245-9004	245-9111

Hinge with spring loaded pin

This range of hinge with spring loaded pin offers the following features:

- The retractable spring loaded pin allows the **quick** assembly and disassembling of the door **without any tool**
- Allows the articulation to be **concealed**
- Choice of **material**
- Exists in 2 **dimensions**
- Exists in **RH** and **LH** versions
- Can be used as a **locking device**
- Can be used as a **positioning device**

Application examples:

- Enclosures and 19" racks
 - Cabinets
 - HVAC
 - Industrial furniture
- Etc.

Material:

housing: steel, zinc plated or raw or SS 304

pin: steel, zinc plated or SS 304

return spring : stainless steel

Part numbers :

12-1-3854 and **12-1-3855**

12-1-3856 and **12-1-3857**

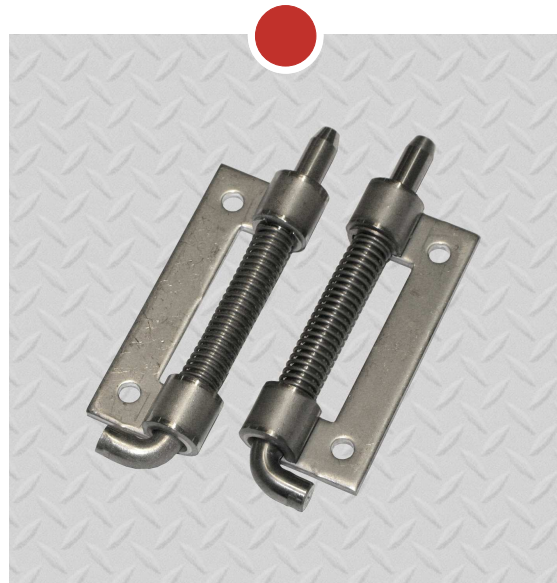
12-1-3858 and **12-1-3859**

12-1-3860 and **12-1-3861**

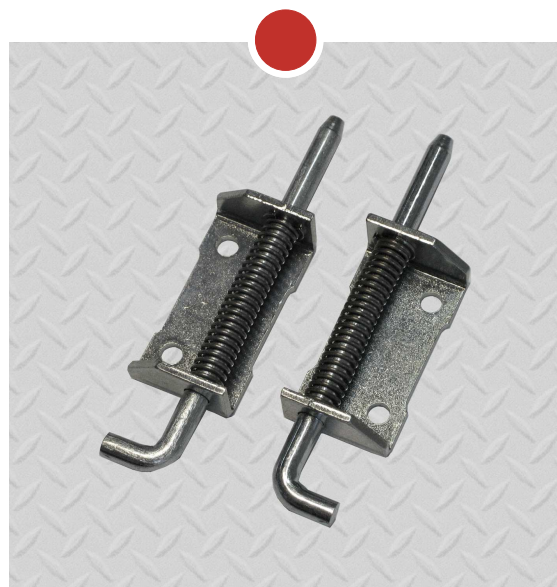
12-1-3950 and **12-1-3951**

12-1-3862 and **12-1-3863**

Other lift-off hinges: see our catalogue.

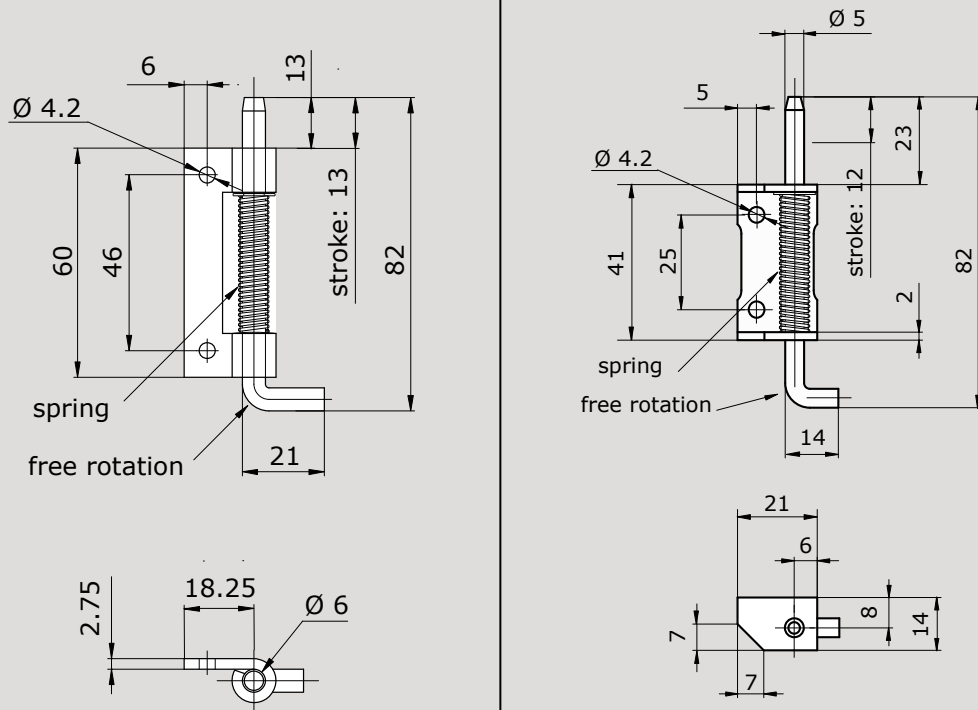


SS steel hinge 12-1-3858 and 12-1-3859



Steel zinc plated hinge 12-1-3860 and 12-1-3861

Hinge with spring loaded pin



Hinge with spring loaded pin (dimensions)

Part numbers	Material	Version	Part numbers	Material	Version
12-1-3854	Steel, zinc plated	A	12-1-3860	Steel, zinc plated	A
12-1-3855	Steel, zinc plated	B	12-1-3861	Steel, zinc plated	B
12-1-3856	Steel, raw	A	12-1-3950	Steel, raw	A
12-1-3857	Steel, raw	B	12-1-3951	Steel, raw	B
12-1-3858	SS 304	A	12-1-3862	SS 304	A
12-1-3859	SS 304	B	12-1-3863	SS 304	B

Version A : as shown
 Version B : symetrical

Subject to technical changes