

6-170.01 Telescopic Cover Support

long, steel zinc plated



Telescopic Cover Support for covers and desk-leaves with automatic locking and release device.

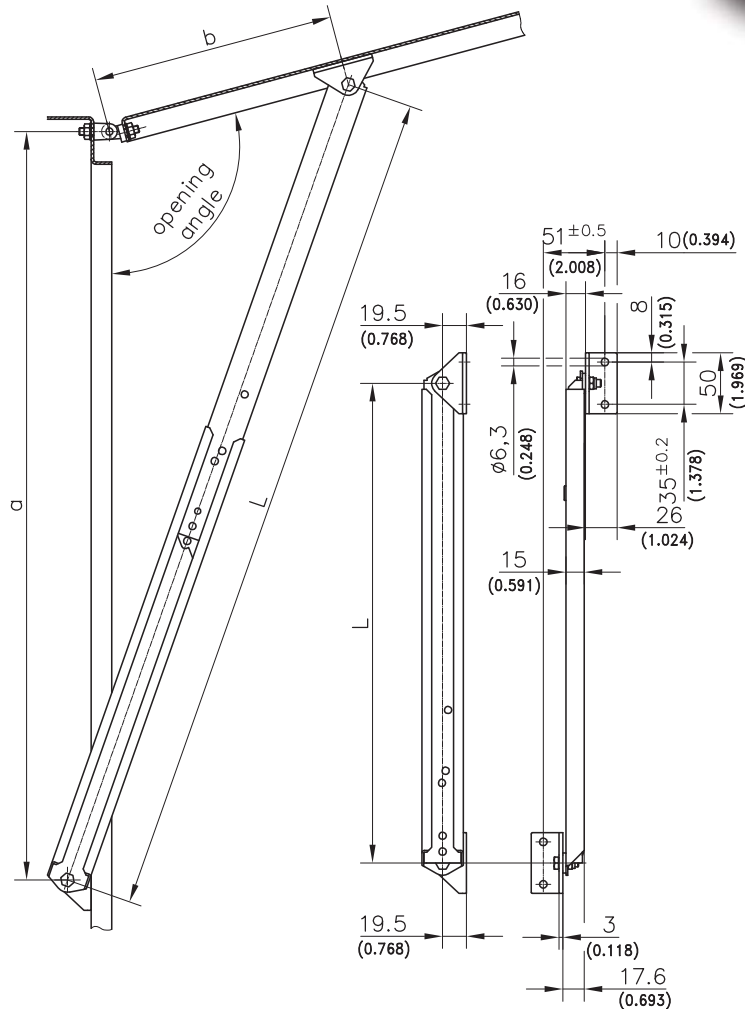
Extending the telescopic cover support completely, the concealed catch lever automatically gets into the locking position. A 3cm retraction makes the support engaging safely.

Renewed extending, makes the catch lever getting into the free-run position and the telescopic cover support can be retracted.

- HD design: cam plates individually riveted and catch lever made of stainless steel.
- RH and LH application.

Material:

- **Inner- and outer rails, mounting angles and cam plates:**
steel, zinc plated
- **Catch lever:**
stainless steel (cast)



04/12/2010
© copyright by DIRAK / Germany

Version	Length L, retracted	Length L, extended, engaged	Length L, extended	Part No.	see page
Telescopic Cover Support, long	395±2 / 15.551	695±2 / 27.362	725±2 / 28.543	230-9002	
Examples of application	approx. Dimension a		approx. Dimension b		
Angle 90°	660 / 25.984		220 / 8.661		
Angle 105°	616 / 24.252		200 / 7.874		
Angle 120°	588 / 23.150		180 / 7.087		
Angle 135°	573 / 22.559		160 / 6.299		
The stated dimensions are only valid in the shown assembly situation.					
(Hinge 217-9301/-9302)					06.64
Changing the assembly situation makes own tests necessary.					
Opening angle can be varied by changing dimensions a and b.					

Accessories

6-170.02 Telescopic Cover Support

short, steel zinc plated



Telescopic Cover Support for covers and desk-leaves with automatic locking and release device.

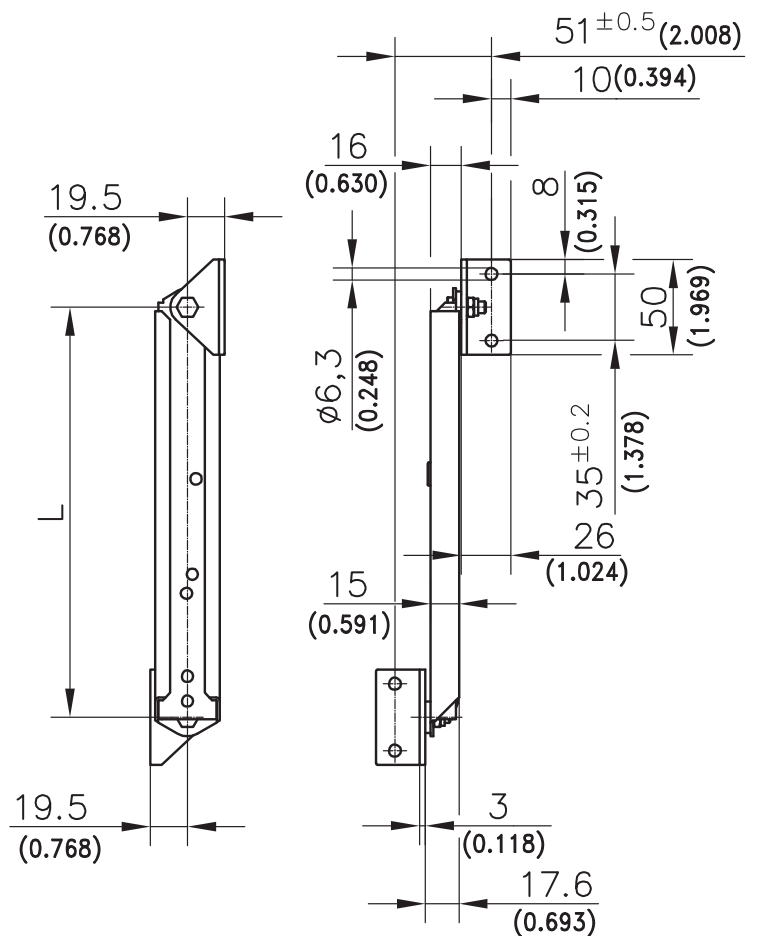
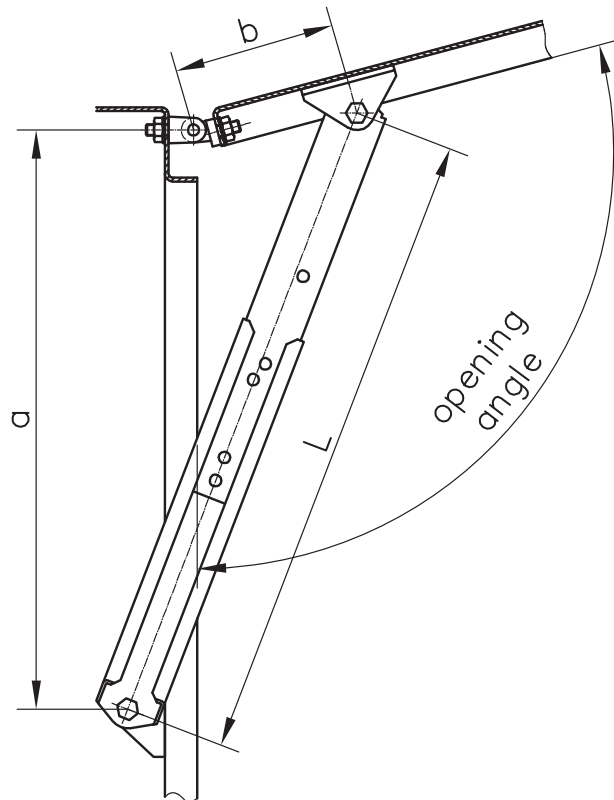
Extending the telescopic cover support completely, the concealed catch lever automatically gets into the locking position. A 3cm retraction makes the support engaging safely.

Renewed extending, makes the catch lever getting into the free-run position and the telescopic cover support can be retracted.

- HD design: cam plates individually riveted and catch lever made of stainless steel.
- RH and LH application.

Material:

- **Inner- and outer rails, mounting angles and cam plates:**
steel, zinc plated
- **Catch lever:**
stainless steel (cast)



Version	Length L, retracted	Length L, extended, engaged	Length L, extended	Part No.	see page
Telescopic Cover Support, short	215±2 / 8.465	335±2 / 13.189	365±2 / 14.370	230-9001	

Examples of application	approx. Dimension a	approx. Dimension b
Angle 90°	320 / 12.598	100 / 3.937
Angle 105°	304 / 11.969	85 / 3.346
Angle 120°	292 / 11.496	75 / 2.958
Angle 135°	286 / 11.260	65 / 2.559

The stated dimensions are only valid in the shown assembly situation.
(Hinge 217-9301/-9302) 06.64

Changing the assembly situation makes own tests necessary.
Opening angle can be varied by changing dimensions a and b.

Accessories

04/12/2010 © copyright by DIRAK / Germany

6-174 Telescopic Cover Support

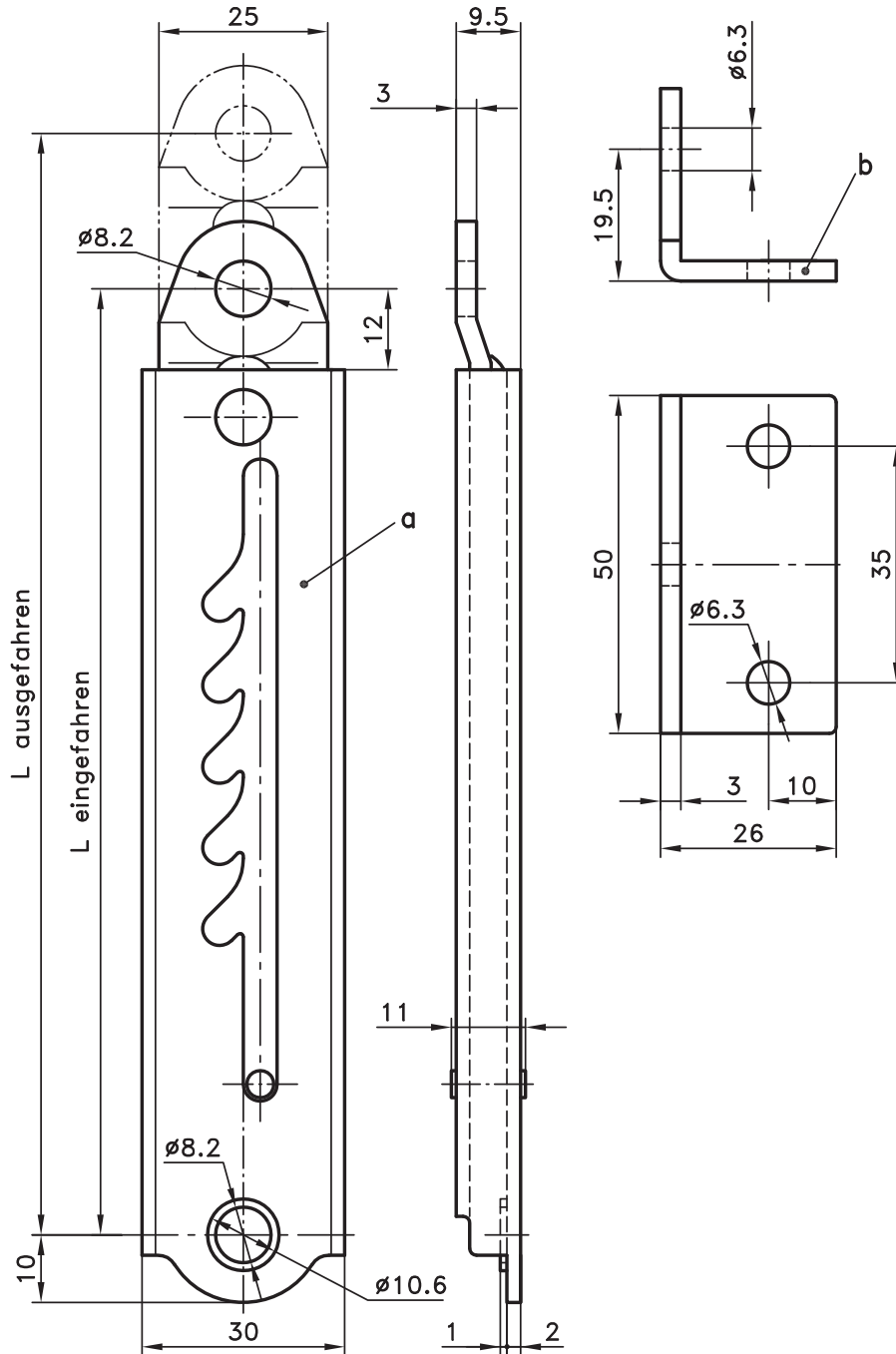
steel, zinc plated



Telescopic Cover support with automatic multiple stops and automatic release in the end position, for desk-leaves and covers.

- RH or LH application.
- Mounting examples see page 09.17.
- Note: To release the mechanism, the cover stay has to be extended completely.

- Material:**
- a) and a1) • **Telescopic Cover Support:** steel, zinc plated
 - b) • **Mounting angle:** steel, zinc plated



	230-9309	230-9308
Stop	L extended	L extended
1.	234.5 / 9.232	164 / 6.457
2.	248 / 9.764	177 / 6.969
3.	261 / 10.276	189.5 / 7.461
4.	274.5 / 10.807	202 / 7.953
5.	288 / 11.339	214.5 / 8.445
6.	301 / 11.850	
7.	314.5 / 12.382	
8.	327 / 12.874	
9.	340.5 / 13.406	
10.	354 / 13.937	

Version	Number of stops	Length L retracted	Length L extended	Part No.
a) Telescopic Cover Support, short	5	140 / 5.512	230 / 9.055	230-9308
a1) Telescopic Cover Support, long	10	214 / 8.425	374 / 14.724	230-9309
2 spacers for M6 screws included.				
b) Mounting angle with 1 screw and one selflocking nut				230-9401

04/12/2010 © copyright by DIRAK / Germany

Accessories

6-180 Cover stay

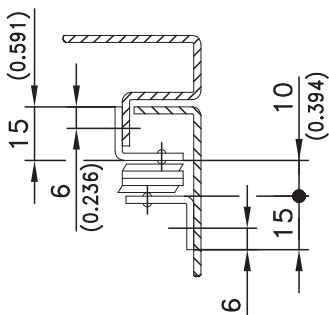
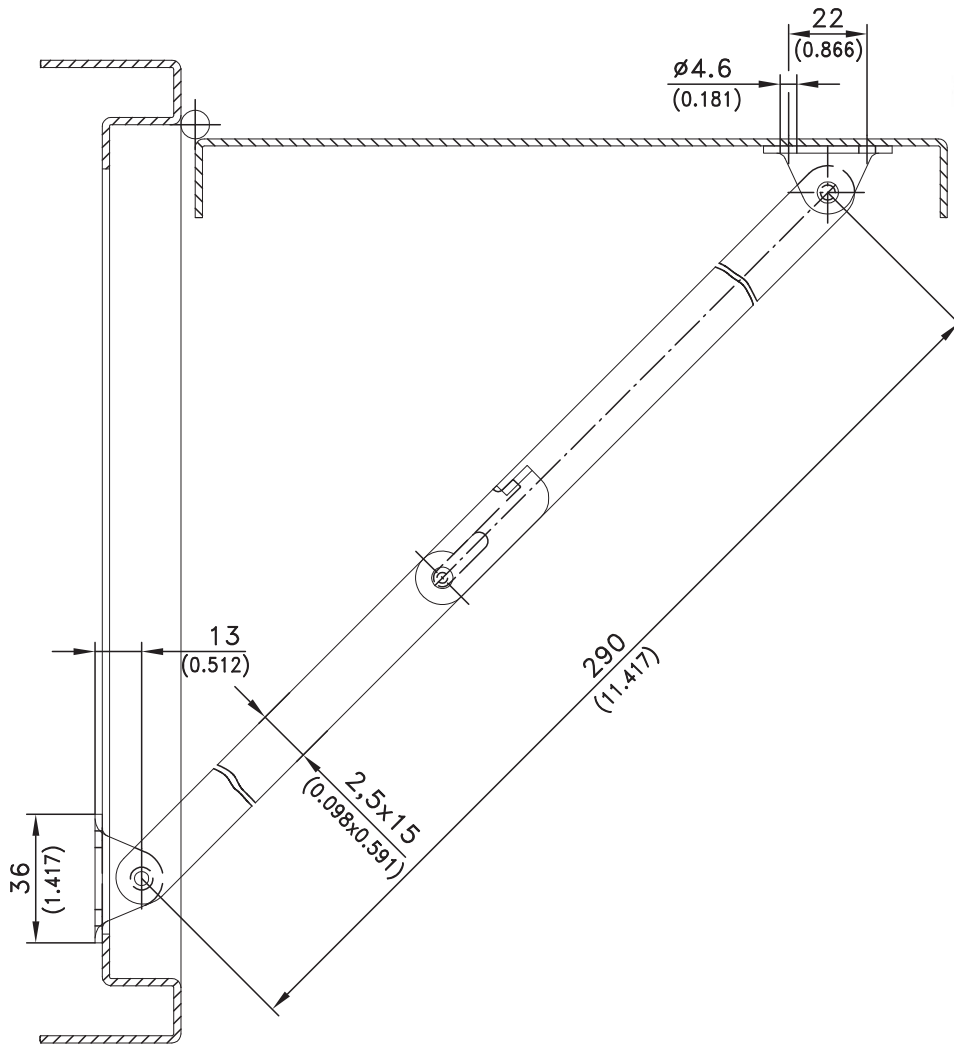
steel, nickel plated



Cover stay screw-on or weld-on

Material:

- **Cover stay:**
steel, nickel plated



04/12/2010
© copyright by DIRAK / Germany

Accessories

Version	Part No.
RH (as drawn)	230-9101
LH (mirror view)	230-9102

6-190 Telescopic Stay

steel, zinc plated

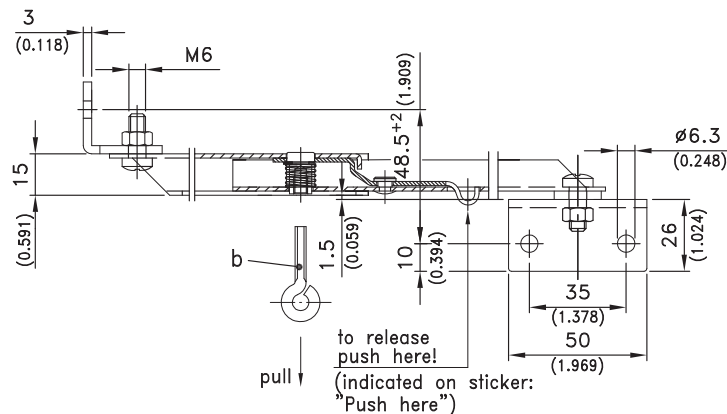
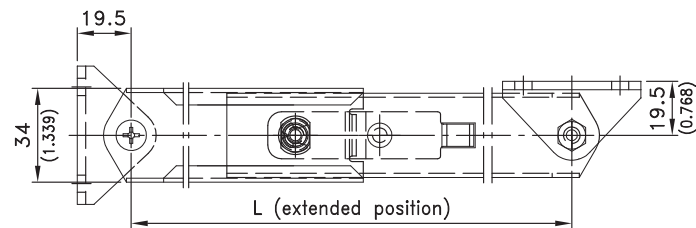
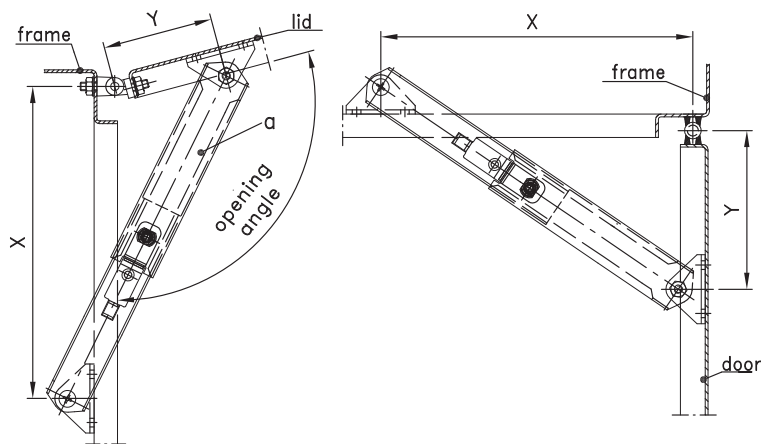


Telescopic stay for doors and lids.

- RH and LH application.
- For wide lids with 2 cover stays you can release the 2 stops by installing 2 eyelets connected by a steel wire.
- Dimensions X and Y determine the opening angle.
- An example is illustrated.

Material:

- a) and a1)
- **Outer part:** steel, zinc plated
- **Inner part:** steel, zinc plated
- **Mounting angle:** steel, zinc plated
- **Snap lever:** steel, zinc plated
- **Snap spike:** steel, zinc plated
- **Spring:** stainless steel
- **Screws and washer:** steel, zinc plated
- b)
- **Eyelet:** steel, zinc plated



Accessories

04/12/2010 © copyright by DIRAK / Germany

Version	Length L, retracted	Length L, extended	Dimension X	Dimension Y	Opening angle	Part No.	see page
a) Telescopic Stay	370/14.567	710/27.953	620/24.409	220/8.661	105°	230-9305	
a1) Telescopic Stay	215/8.465	355/13.976	315/12.402	100/3.937	105°	230-9306	
b) Eyelet						860-0048.07-00420	
Other length L on request.							
Stainless steel version							

6-200 Wind stop

steel, zinc plated

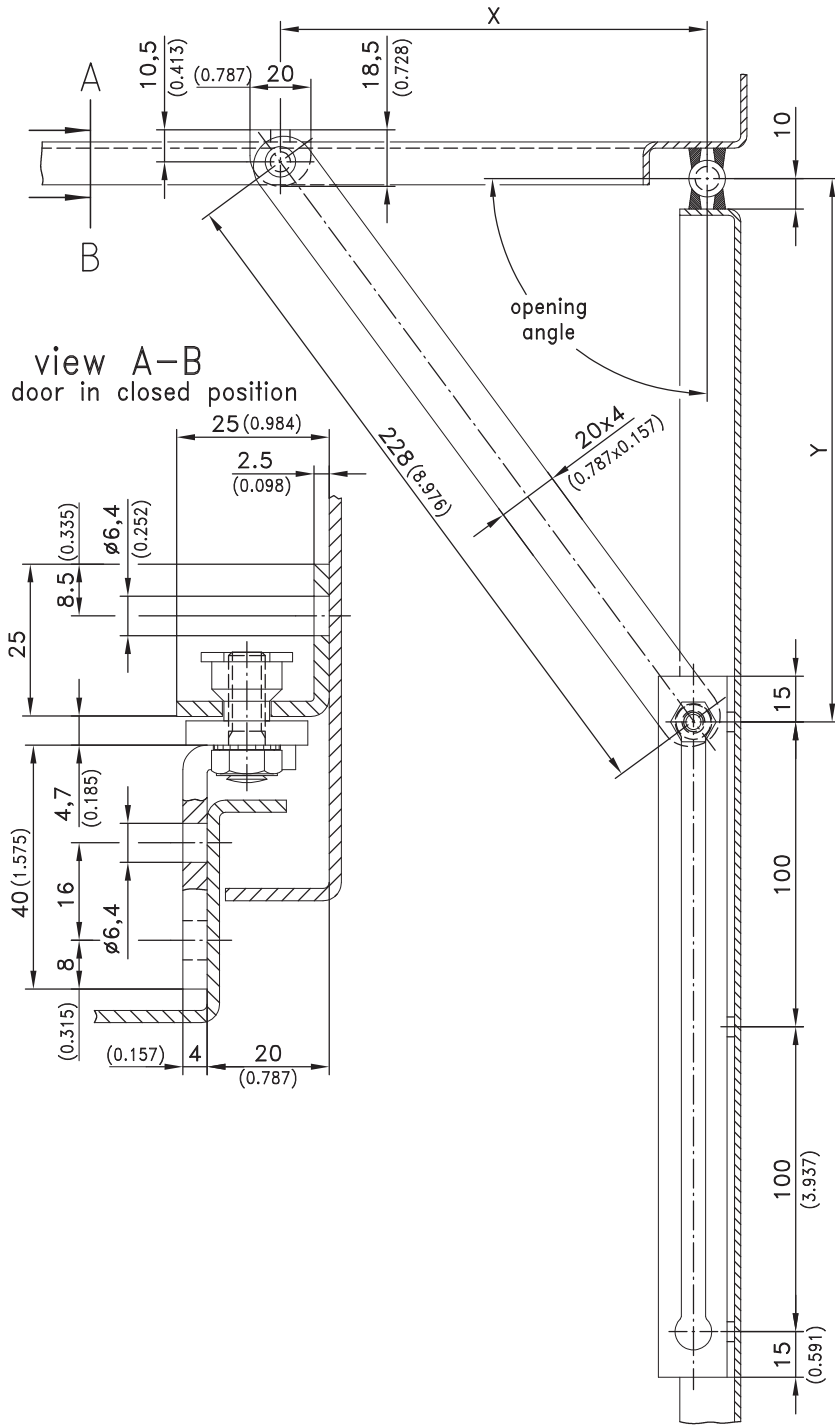


Wind-Stop with automatic lock.

- RH or LH application.

Material:

- **Wind stop:**
steel, zinc plated



04/12/2010 © copyright by DIRAK / Germany

Fastening dimensions				
	Dimension X	Dimension Y	minimal door width	see page
	mm / inch	mm / inch	mm / inch	
Angle 90°	140 / 5.512	180 / 7.087	403 / 15.866	
Angle 105°	120 / 4.724	166 / 6.535	389 / 15.315	
Angle 120°	110 / 4.331	150 / 5.906	373 / 14.685	
Angle 135°	100 / 3.937	146 / 5.748	369 / 14.528	
Important: For other configurations: Y = X + min. 40				
			Part No.	
Wind stop			221-9001	
Stainless steel version				10.75

Accessories

7-300 Telescopic Stay

stainless steel AISI 304

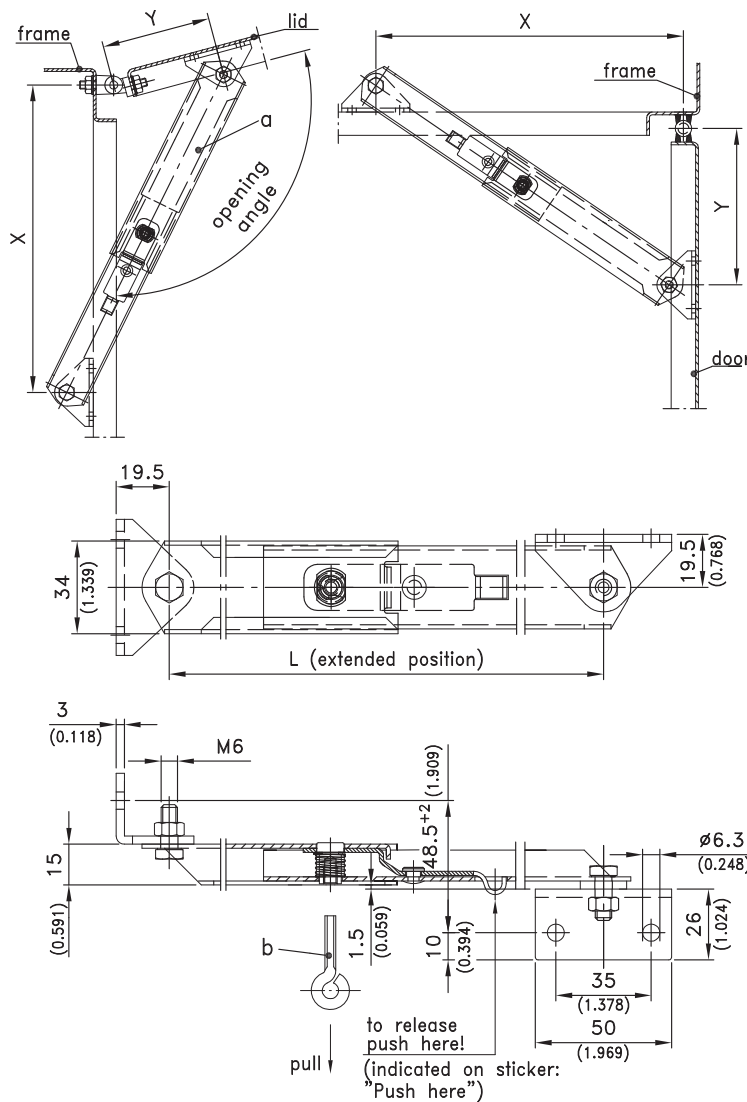


Telescopic Cover Stay for doors and lids.

- RH or LH application.
- For wide lids with 2 cover stays you can release the 2 stops by installing 2 eyelets connected by a steel wire.
- Dimensions X and Y determine the opening angle.
- **An example is illustrated.**

Material:

- **Outer part, inner part, mounting bracket, snap lever, snap spike, spring and washer:** stainless steel
- **Eyelet:** steel, zinc plated



04/12/2010
© copyright by DIRAK / Germany

	Length L, retracted	Length L, extended	Dimension X	Dimension Y	Opening angle	Part No.
a) Telescopic Stay	370	710	620	220	105°	230-9501.00-00000
a1) Telescopic Stay	215	355	315	100	105°	230-9502.00-00000
b) Eyelet						860-0048.07-00420

Other length L on request.

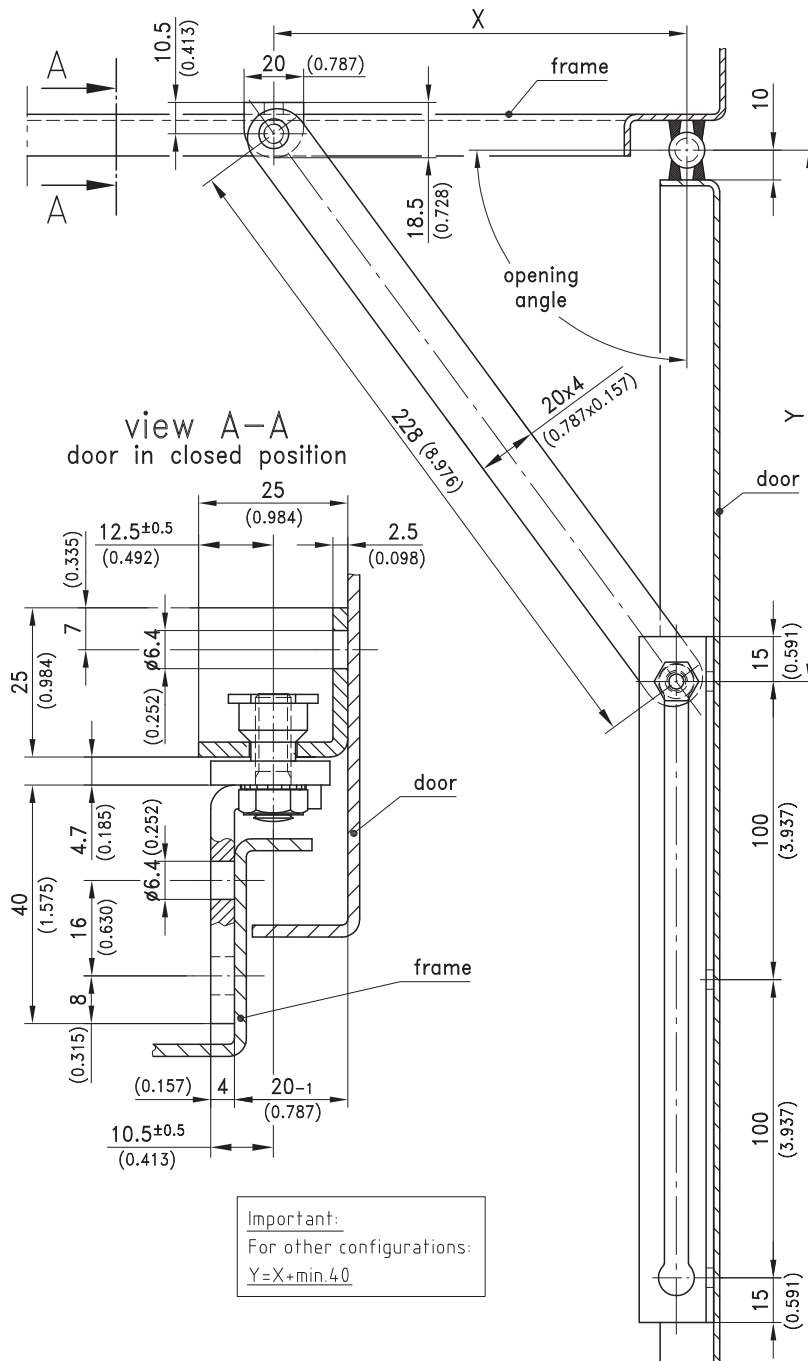
7-310 Wind stop

stainless steel AISI 304



Wind-stop with automatic lock to keep the door open.
 • RH or LH application.

Material:
 • **Wind stop:**
 stainless steel

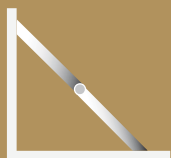


Opening angle	Installation dimension X in mm / inch	Installation dimensions Y in mm / inch	minimal door width in mm / inch	Part No.
90°	140 / 5.512	180 / 7.087	403 / 15.866	221-9101
105°	120 / 4.714	166 / 6.535	389 / 15.315	
120°	110 / 4.331	150 / 5.906	373 / 14.685	
135°	100 / 3.937	146 / 5.748	369 / 14.528	

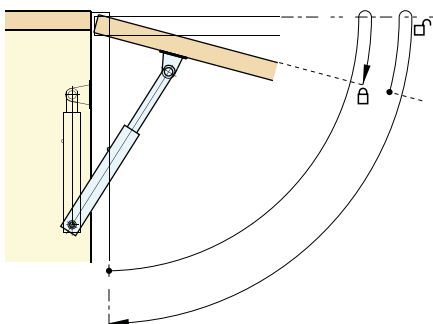
Wind stop

221-9101

Stainless Steel



Lid & support stays

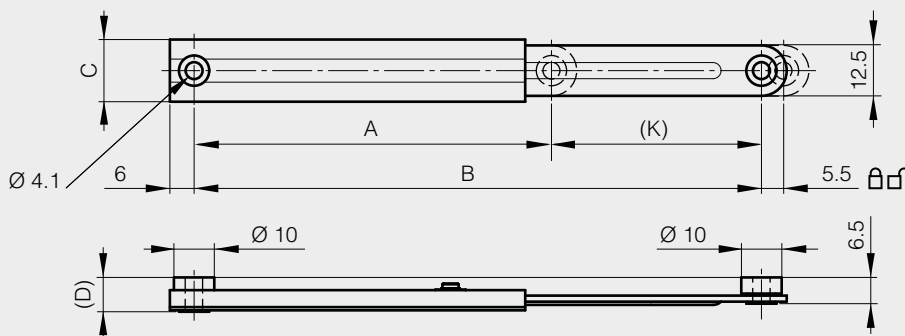


Support stays with automatic release

new!

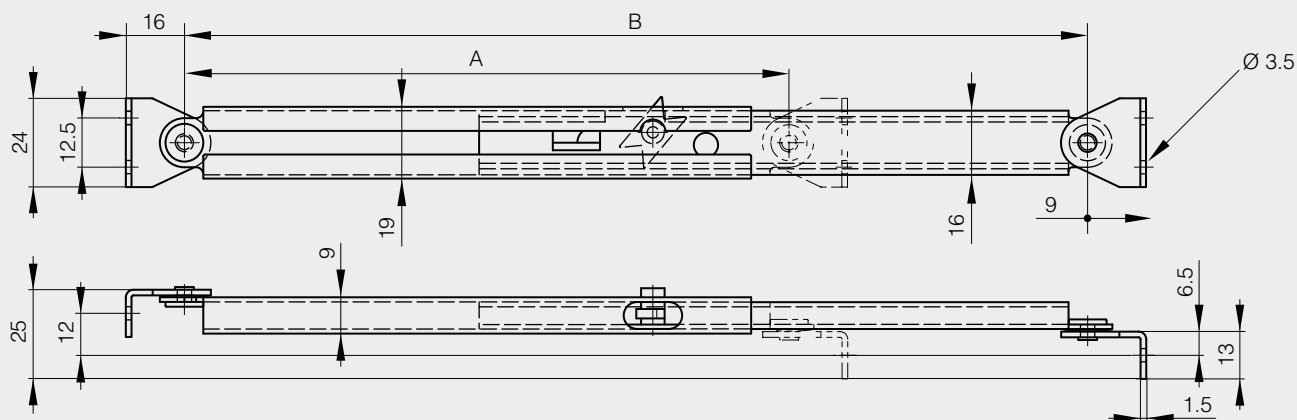
Load capacity : 6 kg

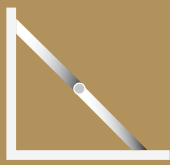
A	B	C	D	K	part number	material	finish	weight
67	100	15.4	8.8	32	24-7-3577	304 stainless steel	raw	10g
88	140	15.4	8.8	52	24-7-3571	304 stainless steel	raw	40g



A = closed dimension
B = extended dimension

A	B	part number	material	finish	weight
159	239	24-7-3542	steel	zinc plated	112g



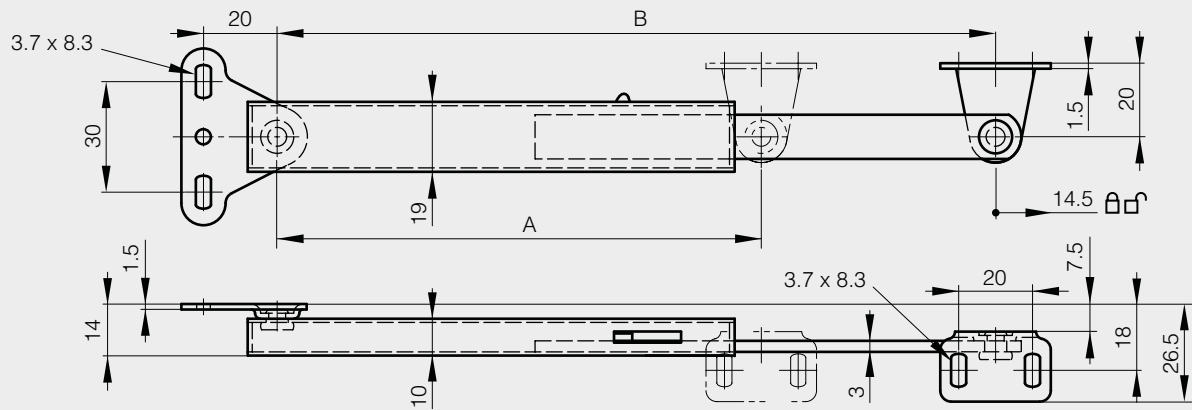


Lid & support stays

Support stays with automatic release

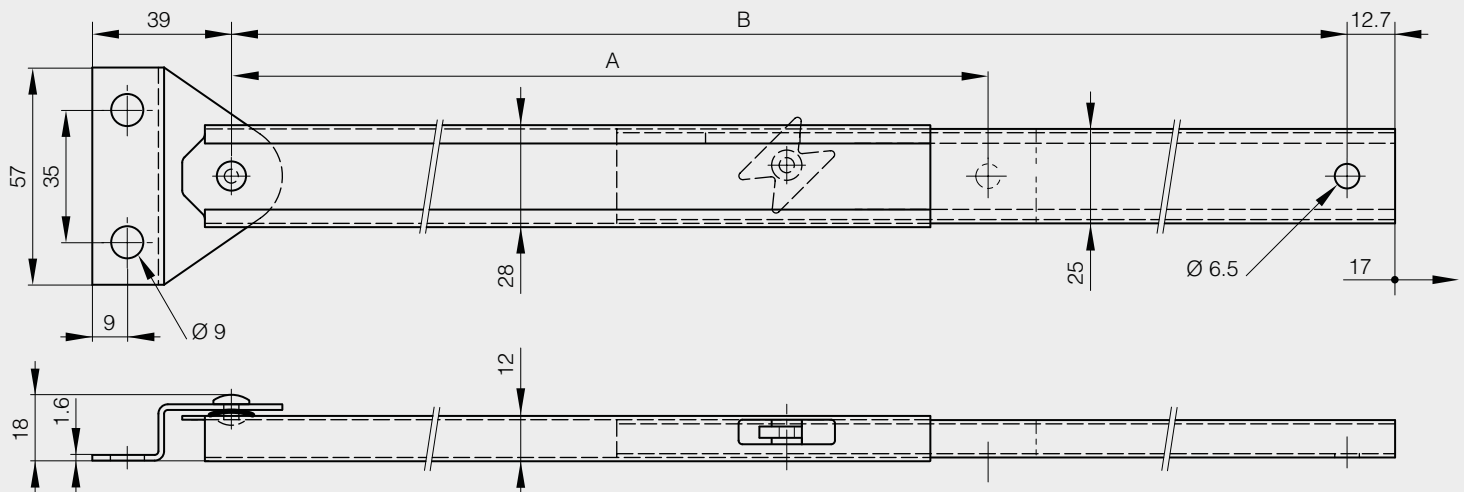
Load capacity : 15 kg

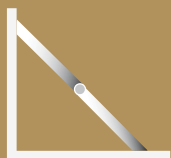
A	B	part number	material	finish	weight
133	195	24-7-3552	304 stainless steel	satin	125g
170	270	24-7-3553	304 stainless steel	satin	150g



A = closed dimension
B = extended dimension

A	B	part number	material	finish	weight
300	495	24-7-3543	steel	zinc plated	304g

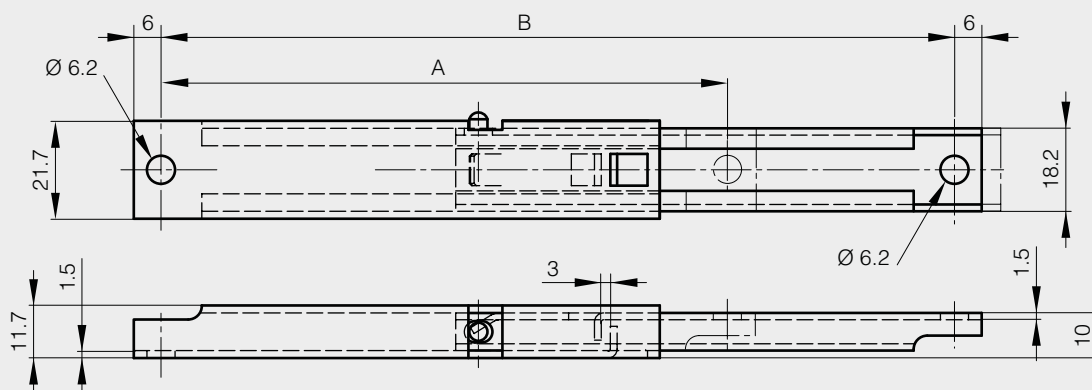
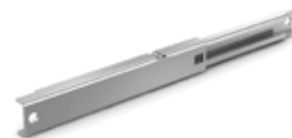




Support stays with manual release

A = closed dimension
B = extended dimension
Load capacity: 50 kg
Push button release

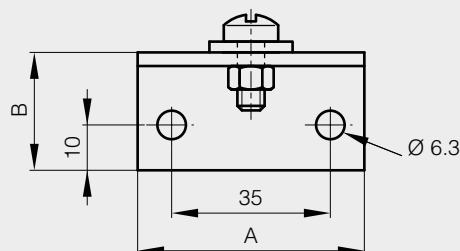
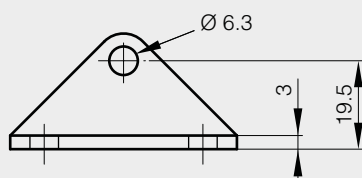
A	B	part number	material	finish	weight
125	173	24-1-3558	304 stainless steel	raw	101g
150	225	24-1-3559	304 stainless steel	raw	125g
175	275	24-1-3560	304 stainless steel	raw	145g

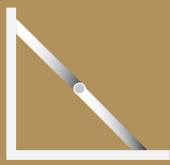


Bracket

Complete with M6 screw, M6 nut and 3 mm thick washer
For part numbers 24-1-3558, 24-1-3559 and 24-1-3560

A	B	part number	material	finish	weight
50	26	99-1-3558	stainless steel	raw	54g



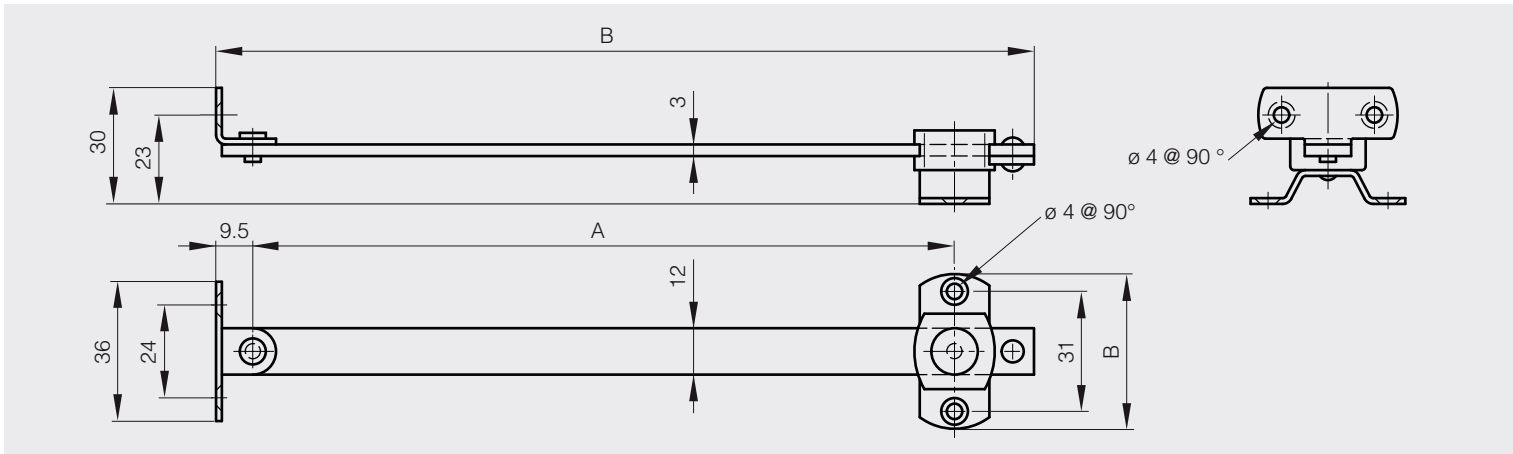


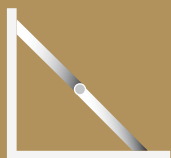
Lid & support stays

Lid stay

For holding lids or panels in open position (vertical to horizontal)

A	B	part number	material	finish	weight
180	210	24-7-3546	304 stainless steel	satin	89.5g
210	240	24-7-3547	304 stainless steel	satin	94.5g
240	270	24-7-3548	304 stainless steel	satin	106.5g

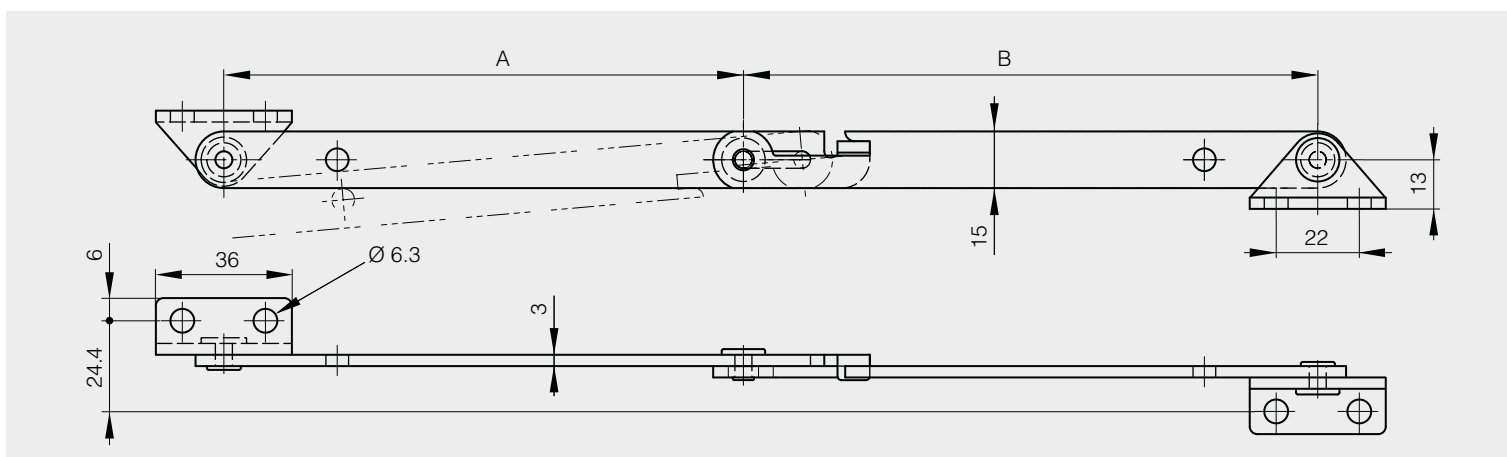




Stay with safety stop

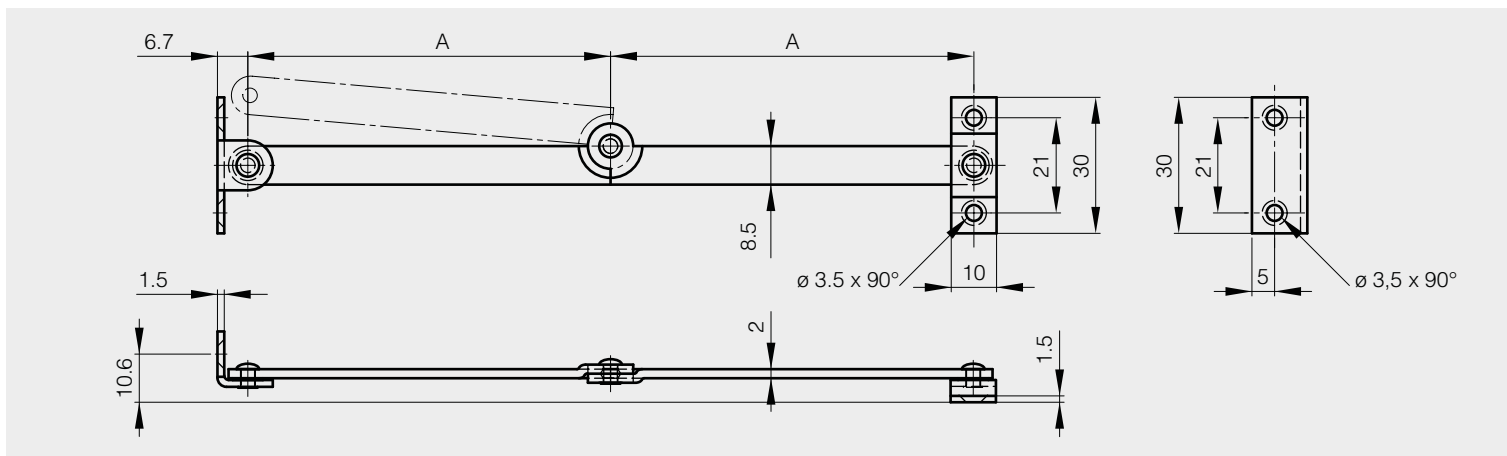
new!

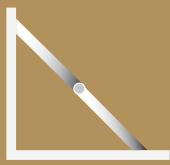
A	B	note	part number	material	finish	weight
138	152	as shown below	24-1-9001	stainless steel	raw	148g
138	152	symmetrical version not shown	24-1-9000	stainless steel	raw	148g



Stays

A	note	part number	material	finish	weight
80	as shown below	24-1-3312	steel	black zinc plated	33.5g
80	symmetrical version not shown	24-1-3311	steel	black zinc plated	33.5g

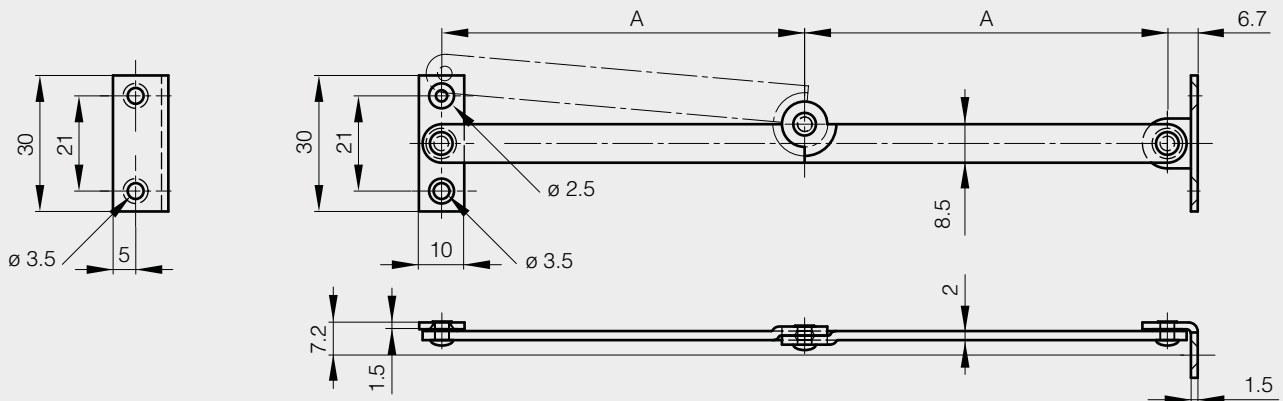




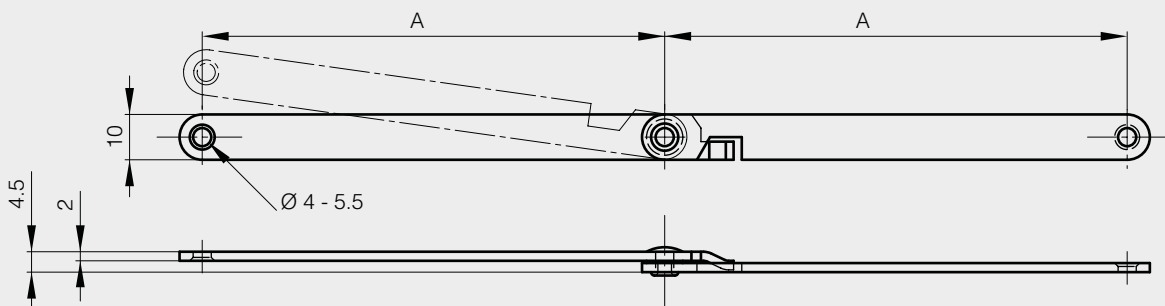
Lid & support stays

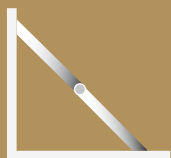
Stays

A	note	part number	material	finish	weight
80	as shown below	24-1-3324	steel	black zinc plated	33g
80	symmetrical version not shown	24-1-3323	steel	black zinc plated	33g



A	note	part number	material	finish	weight
102	as shown below	24-1-0247	304 stainless steel	polished	35g
102	symmetrical version not shown	24-1-0248	304 stainless steel	polished	35g

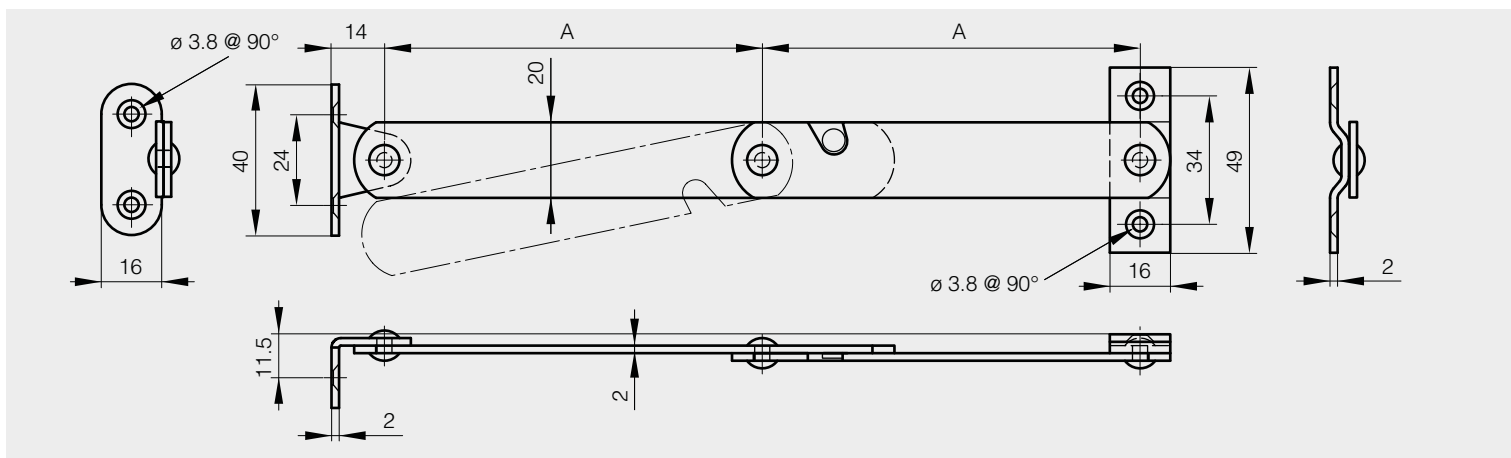




Lid & support stays

Stays

A	note	part number	material	finish	weight
125	as shown below	24-7-3525	steel	zinc plated	116g
125	symmetrical version not shown	24-7-3526	steel	zinc plated	116g
150	as shown below	24-7-3527	steel	zinc plated	133g
150	symmetrical version not shown	24-7-3528	steel	zinc plated	133g
175	as shown below	24-7-3529	steel	zinc plated	152g
175	symmetrical version not shown	24-7-3530	steel	zinc plated	152g
200	as shown below	24-7-3531	steel	zinc plated	167g
200	symmetrical version not shown	24-7-3532	steel	zinc plated	167g



Spring loaded stay

A full product data sheet is available on our website.

A	B	note	part number	material	finish	weight
92	28.5	torque : 3 Nm	24-7-3569	304 stainless steel	polished	120g
92	28.5	torque : 4 Nm	24-7-3570	304 stainless steel	polished	120g

