

Mechanical transport? *We make it effortless!*

## The new lightweight series JH-G plus

Professional technology down to the last detail

- innovative
- light
- handy
- sturdy

Extreme weight reductions thanks to an optimised construction and a new design

Safe operation and movement of the lifting device with the patented lifting toe system Pat.-No: 4413478

Optimal operation and precise lowering via the handy ergonomic handle

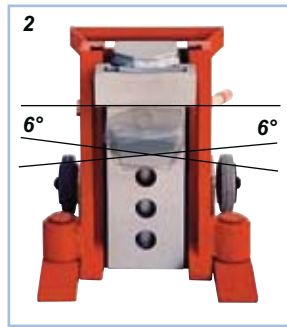
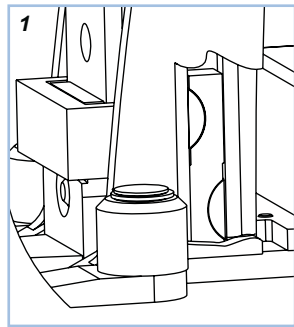
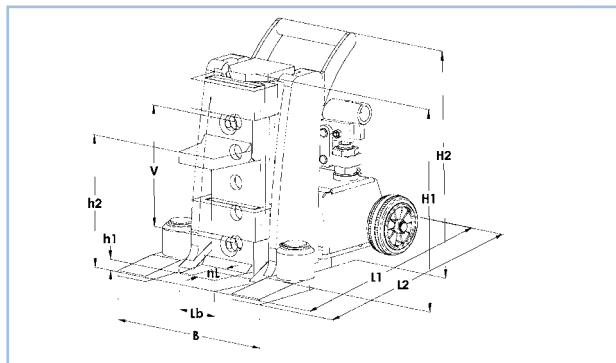
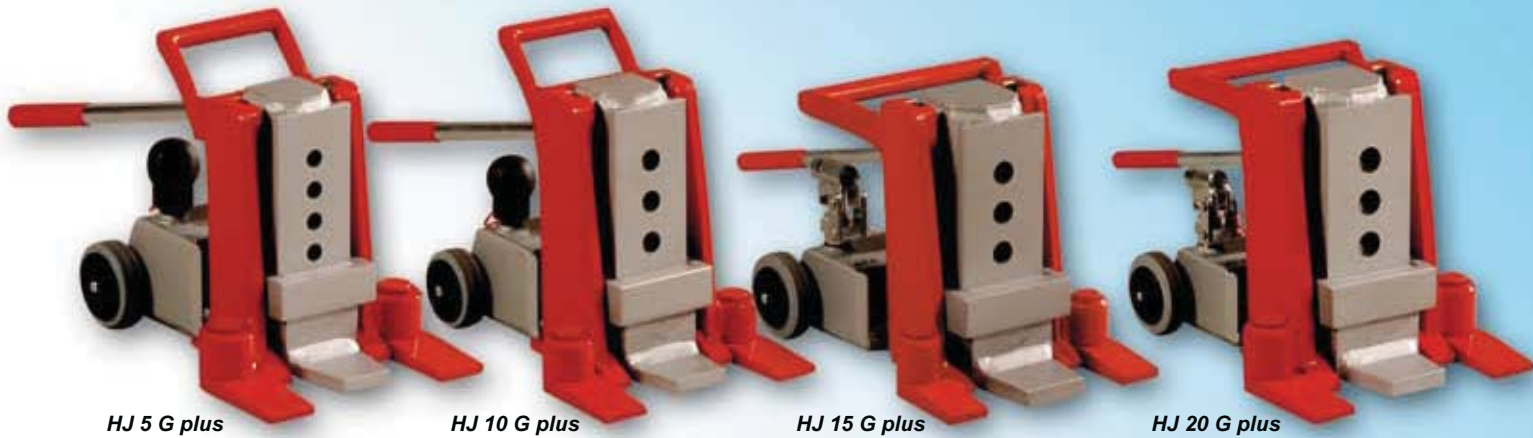
Simple and cost-effective maintenance due to the modular hydraulic components - overloading is prevented thanks to an integrated relief valve with dirt filter

The feet can be pivoted through 180° - for easy and safe positioning in every situation

Optimal performance and reduced friction is enabled through our protected sliding shoe system G 295 04271.0

## Technical specifications for JH-G plus

*Lift heavy loads safely*



### Advantages in detail

- Reduced friction thanks to the use of slide shoes, which are mobile in their seating. A significantly larger surface for the transmission of power is provided for every operating condition in comparison to conventional units (see illustration 1). The advantage of this is less wear of the guiding elements and a higher degree of efficiency.
- Reduced maintenance costs due to detachable pumping unit and exchangeable slide shoes.
- Extremely light with a high performance thanks to high-quality materials and an innovative construction.

Optimal adaptation to the load via swivelling toes. Secure footing is ensured in all situations, even when elevated (see illustration 2)

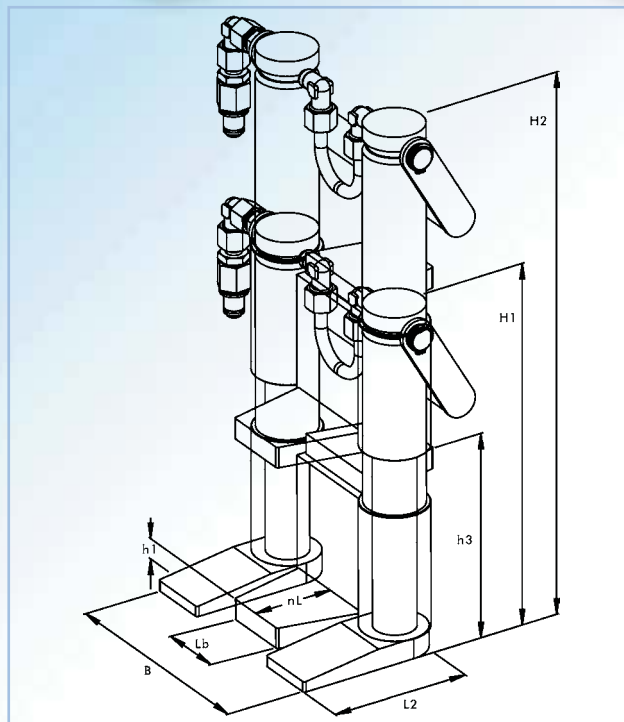
**WORLD EXCLUSIVE**

Order No.	Drawing		JH 5 G plus	JH 10 G plus ku	JH 10 G plus	JH 15 G plus	JH 20 G plus
Ultimate load*		kg	5.500	10.000	10.000	15.000	20.000
Hoisting height		mm	140	108	150	175	190
Minimum lift toe height	h1	mm	12	15	15	20	20
Maximum lift toe height	h2	mm	157	180	180	205	225
Lift toe adjustment	V	mm	6x29	4x41	5x41	5x46	5x51
Top plate height	H1	mm	245	233	275	310	340
Toe width front	Lb	mm	50	60	60	70	80
Usable toe depth	nL	mm	59	54	54	70	66
Length of feet swivelled forwards	L2	mm	326	346	346	401	425
Length of feet swivelled to the side	L1	mm	311	330	330	401	405
Width	B	mm	233	247	247	322	322
Total height	H2	mm	280	-	310	310	340
Cylinder volume		cm <sup>3</sup>	176	210	300	495	731
Weight		kg	23	25	29	48	60

\*on the head plate

## The king of the lifting devices

### Series JH-P *Highest load with low weight*



#### Advantages in detail

- High performance with a low weight
- Pivoting feet for optimal positioning
- Well-balanced load and adjustment between jack and load by integrated twin-lift-system
- Easy use of the entire lifting range without toe adjustment by means of the two-stage lifting toe system



▶ You can find suitable hand pumps and hydraulic hoses on page T 34

Order No.	Drawing		JH 13 P**	JH 30 P**	JH 50 P**
Ultimate load*		kg	13.00	30.00	50.00
Minimum lift toe height	h1	mm	18	25	35
Max. hoisting height with toe	h2	mm	160	200	250
Maximum lift toe height	h3	mm	135	185	275
Top plate height	H1	mm	303	455	542
Max. hoisting height with head plate	H2	mm	463	655	792
Toe width front	Lb	mm	55	95	100
Usable toe depth	nL	mm	50	70	85
Length of feet swivelled forwards	L2	mm	206	290	354
Width	B	mm	210	305	380
Cylinder volume		cm <sup>3</sup>	400	1.13	2.512
Weight		kg	15	51	105

\*on the head plate

\*\*Patent No. P 102 00 94, Patent No. 103 49 389



## Always at hand - the mobile hoisting set

*Ready to hand in any assembly case*

- Ideal when on the road
- Low weight
- High ultimate load

**24-hour delivery service**



**JSET 20/3**  
*Lifting set, complete*

### Complete lifting set

2 lifting devices \* complete with pump and 2 hoses, each measuring 2 m or 3 m respectively

	Ultimate load max.	Minimum lift toe height with toe A	Top plate height mm	Hoisting height mm	Pump	
Order No.	kg	mm				
JSET 10/2	2 x 5000	15	350	230	JP 16	
JSET 20/3	2 x 10000	20	400	280	JP 26	

### Lifting set, individual components



**JH S 5**

*Lifting devices JHS single*



**JH S 10**

*Hand pump*



**JP 16**

### Lifting device

	Ultimate load max.	Minimum lift toe height with toe A	Top plate height mm	Hoisting height mm	Dimensions L X W X H mm	Weight kg	
Order No.	kg	mm					
JHS 5	5000	15	350	230	170 x 145 x 350	10,0	
JHS 10	10000	20	400	280	270 x 240 x 400	17.7	

### Hand pump

**New: also available with high-speed lift**

	Working pressure bar	Number of connections	Dimensions L X W X H mm	Hose length mm	Weight kg	Applicable for devices up to max. load kg	Tank capacity l	
Order No.								
JP 16	520	2	780 x 230 x 150	variable	7	2 x 10 000	1.1	
JP 26	520	2	840 x 230 x 170	variable	11	2 x 20 000	2.1	

### High pressure hoses

	Operating pressure max. bar	Dimensions mm	Drip-free coupling Number	
Order No.				
JS 2	700	2000	2	
JS 3	700	3000	2	
JS 4	700	4000	2	
JS 5	700	5000	2	

per additional metre

*All hand pumps can be retrofitted with manometers and non-return valves.*

Mechanical transport? We make it effortless!

## Adjustable and controllable transport trolley

For transport in halls and warehouses



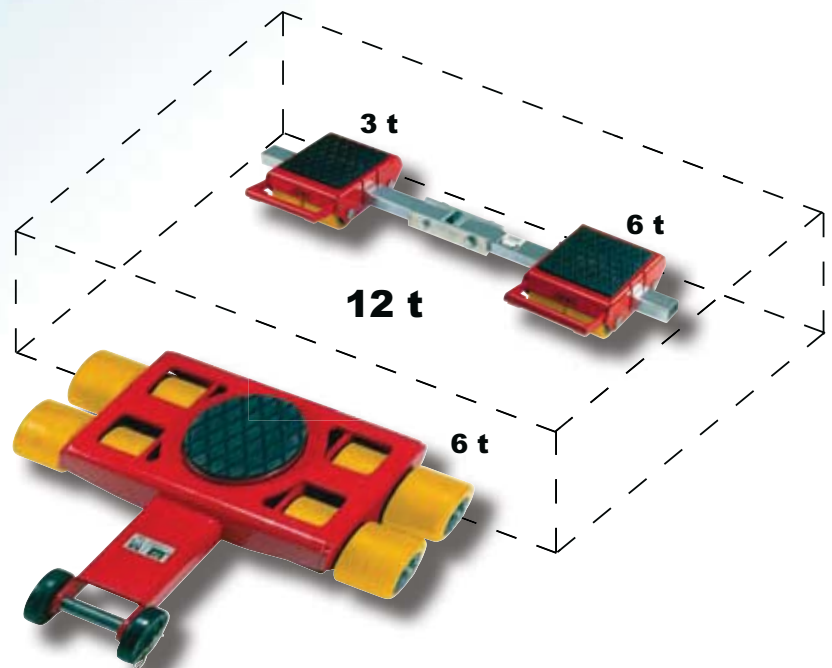
Available with:  
**Steel core with JUWathan plus covering**



for all floor surfaces

**JUWathan plus roller:** an enhanced covering (plus) based on the already proven JUWathan system forms the basis of the JUWathan plus castor. A coating consisting of a special polyurethane-based mixture is applied onto an aluminium core. The thickness of the coating has been optimised in this process, which in turn has improved the degree of rolling friction by more than 30%. A reduction in weight of almost 35% per castors has also been achieved by the new

### Load distribution of 12 tonne transport set



Transport weight	6 to		12 to		18 to		24 to		
	JLB 3 K	JFB 3 K	JLB 6 K	JFB 6 K	JLB 9 K	JFB 9 K	JL 12 K	JFB 12 K	
Order No.									
Ultimate load*	kg	3000	3000	6000	6000	6000	6000	12000	12000
Number of castors	piece	4	4	8	8	12	12	16	16
Dimensions of the castors	Ø x L mm	85x85	85x85	85x85	85x85	85x85	85x85	85x85	85x85
Construction height	mm	110	110	110	110	110	110	110	110
Bearing surface for each cassette	mm		120x80		175x170		175x170		175x170
Cassette dimensions	L x W mm		190x125		325x200		325x390		325x390
Connecting bar with pin-joint	L mm		1000**		1230		1230		1230
Cassette adjustable from - to	mm		125x880		400x830		400x1030		400x1030
Bearing surface of rotating plate	Ø mm	150		150		170		170	
Dimensions	L x W mm	225x280		445x590		580x820		580x1000	
Steering bar with towing eye	L mm	990*		1120		1120		1120	
Weight with JUWathan plus	KG	12	11	33	25	54	35	64	35
Order No. with JUWathan plus covering		JLB3K-VUPlus	JFB3K-VUPlus	JLB6K-VUPlus	JFB6K-VUPlus	JLB9K-VUPlus	JFB9K-VUPlus	JL12K-VUPlus	JFB12K-VUPlus

\*without towing eye \*\*without pin-joint

## Trolley series K, professional

Transport weight up to 28 t, construction height 110 mm



## Trolley series H transport weight up to 120 t, construction height 230 mm

**JUWathan Professional:** an enhancement of the JUWathan plus castor, but with an increased load-bearing capacity (2 x 2 bearings) and sensational mobility provided by the spacing of the castors and double combination arrangement. Turning the unit requires less energy because the castors are able to rotate in the opposite direction to each another, which generates much less friction between the floor surface and the castors. The significantly reduced level of friction also has a positive effect on the following axle and it enables more accurate manoeuvrability.

Available with: Steel core with JUWathan plus covering



for all floor surfaces



JLB 60 H



JFB 60 H

Transport weight		14 to		20 to		28 to	
Order No.		JLB 7 K	JFB 7 K	JL 10 K	JFB 10 K	JL 14 K	JFB 14 K
Ultimate load	kg	7000	7000	10000	10000	14000	14000
Number of double castors	piece	8	8	12	12	16	16
Dimensions of the castors	mm	85x85	85x85	85x85	85x85	85x85	85x85
Construction height	mm	110	110	110	110	110	110
Bearing surface for each cassette	mm		175x170		175x170		175x170
te	mm		325x200		325x390		325x390
Cassette dimensions	mm		1230		1230		1320
Connecting bar with pin-joint	mm		400 - 1030		400 - 1030		400 - 1030
Cassettes adjustable	mm	150		170		170	
Bearing surface of rotating plate	mm	445x590		580x820		580x1000	
Dimensions of guiding trolley	mm	1120		1120		1120	
Steering bar with towing eye	kg	36	27	56	35	68	39
Weight Professional							