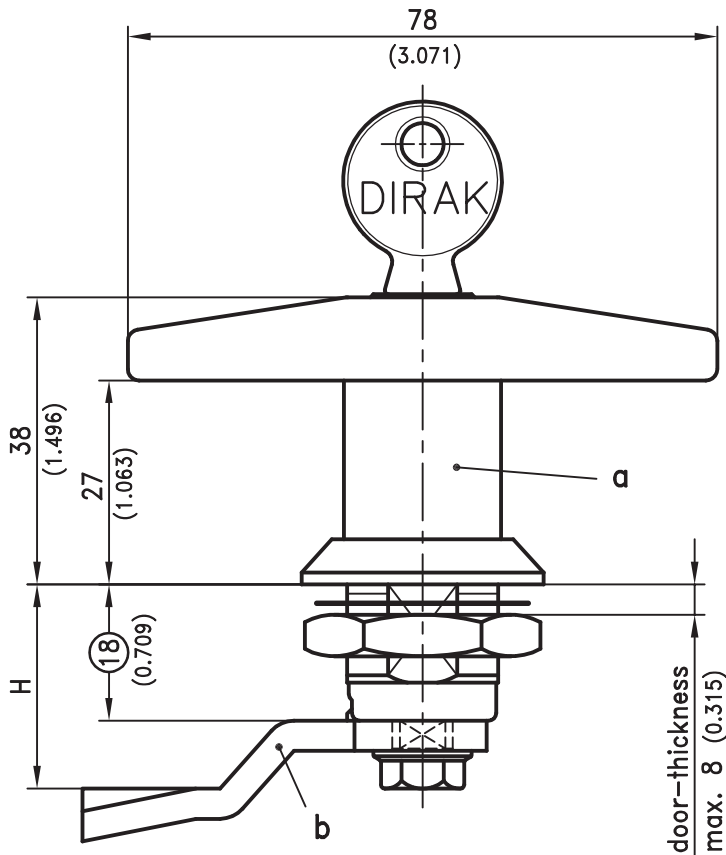
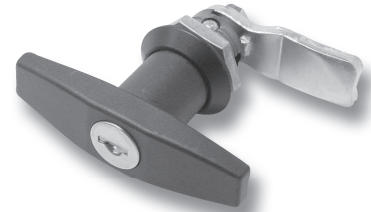
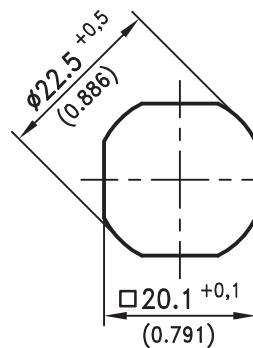


1-140 Quarter-Turn with Wing Pr20.1 L18 with Cylinder



Cutout

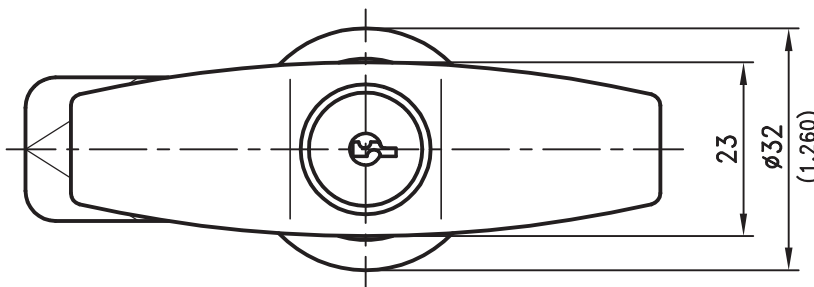


T-Handle with 90° rotation, RH or LH application.

- Water- and dust-tight according to IP65.
- This T-Handle consists of two basic parts which can be combined to suit your application.
- On request cam can be assembled by DIRAK.
- A pre-assembled T-Handle can be installed in the cutout.

Material:

- a)
- **T-Handle:** PA, black with zinc die core or zinc die, chrome plated or black coated
- b)
- **Cam:** steel, zinc plated



a) T-Handle	PA with	zinc die	zinc die
with plain/grounding/earthing nut	zinc die core	chrome plated	black coated
non locking	200-9307	200-9319	200-9331
keyed alike DIRAK 1333*	200-9308	200-9320	200-9332
keyed alike DS200*	500-9308	500-9320	500-9332
keyed different/mixed	200-9309	200-9321	200-9333
PAGODA keyed alike	-	501-9320	501-9332
PAGODA keyed different/mixed	-	501-9321	501-9333

b) Cam/3-point cam see product system 1-100 or 1-262

Optional:

- c) Assembling cam as drawn **200-0001**
Assembling cam 90° to handle **200-0019**

All lockable T-Handles are supplied with 2 keys.

Stainless steel version see product system 7-090.

* With stainless dust-shutter

1-142 Quarter-Turn with Wing Pr20.1 L18

with cylinder



Quarter-Turn with Wing

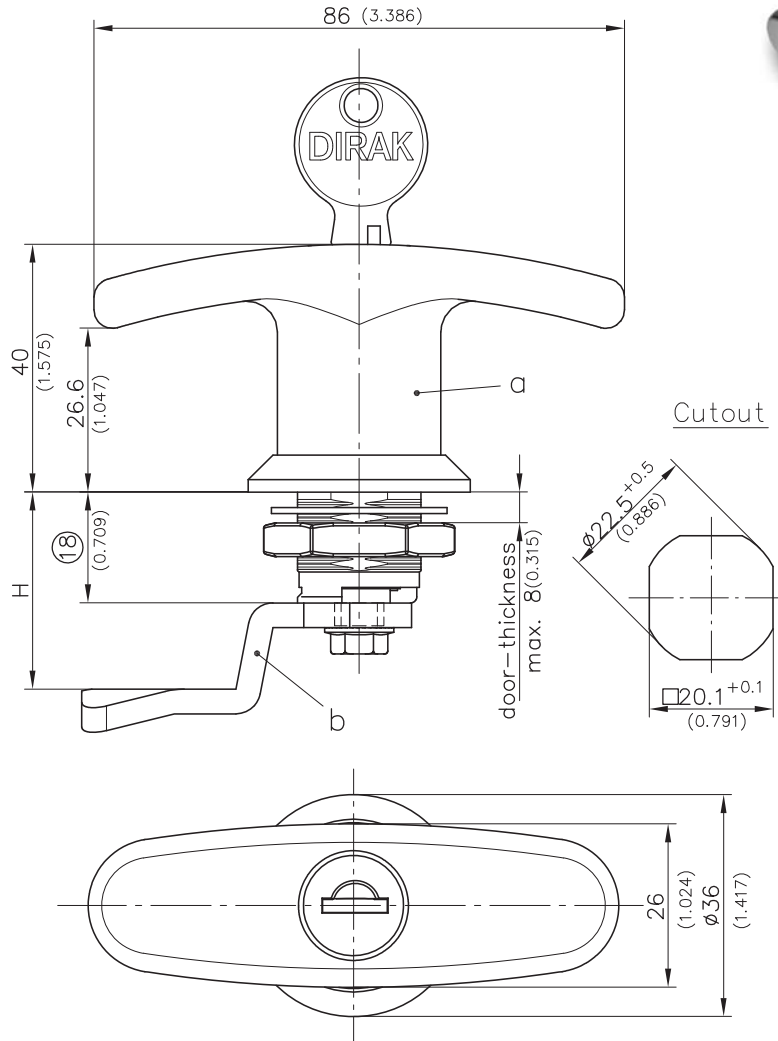
- RH or LH application.
- Water- and dust-tight according to IP65 DIN EN 60529.
- The Quarter-Turn consists of two basic components which can be combined to suit your application.
- On request parts can be assembled by DIRAK.
- A pre-assembled Quarter-Turn can be installed in the cutout.

Material:

- a)
 - **Wing handle:** zinc die, nickel plated
 - b)
 - **Cam:** steel, zinc plated
 - **Other surfaces i.e. chrome plated, black on request!**



Quarter-Turn



04/12/2010
© copyright by DIRAK / Germany

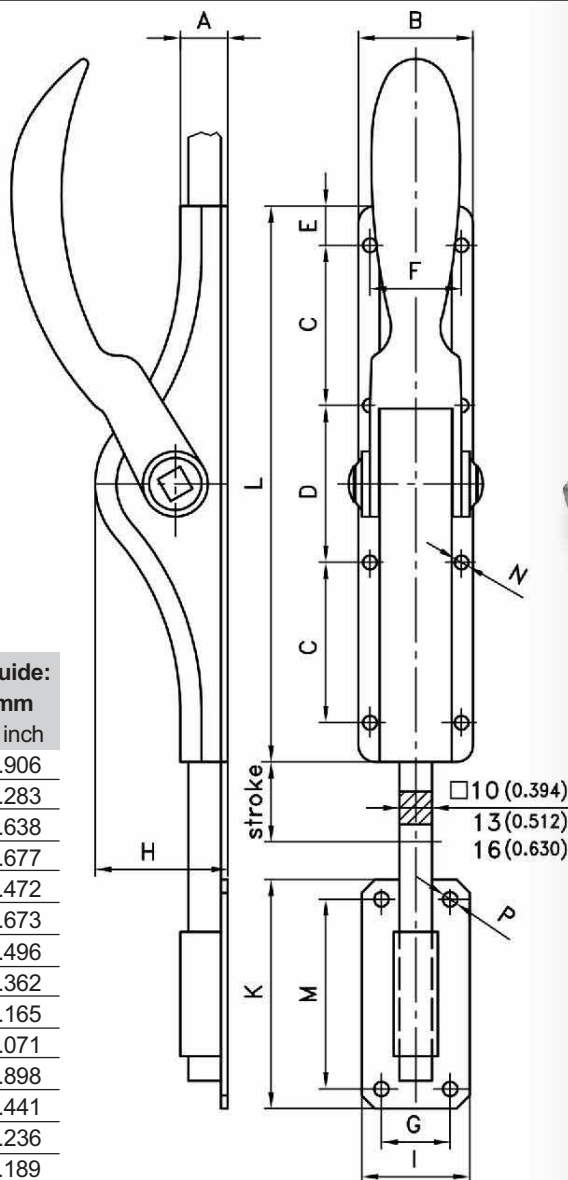
a) Wing Handle with plain grounding/earthing nut	Part No.	see page
non locking	100-9306	
keyed different/mixed	100-9307	
keyed alike DIRAK 1333*	100-9308	
with insert square 8**	100-9309.00-00001	
b) Cam/3-point cam		02.61, 03.37, 02.58
Please order separately:		
c) Assembling	200-0001	02.45
Assembling cam 90° to wing knob without O-ring	200-0019	02.45

All lockable handles supplied with two keys.

* with stainless dust-shutter

** Here we have 12 types of inserts. Please contact DIRAK.





Locking bar system, for heavy doors.

- The rod is supplied complete. Both ends can be connected to the gear mechanism. This allows any positioning of the gear casing.

Material:

- a) and b)
- Gear mechanism: steel, Zinc plated

Dimensions of gear casing and Rod Guide:

	□10mm mm / inch	□13mm mm / inch	□16mm mm / inch
A	14.5 / 0.571	18.5 / 0.728	23 / 0.906
B	35 / 1.378	42 / 1.654	58 / 2.283
C	49 / 1.929	53 / 2.087	67 / 2.638
D	48 / 1.890	46 / 1.811	68 / 2.677
E	12 / 0.472	13 / 0.512	12 / 0.472
F	28 / 1.102	28 / 1.102	42.5 / 1.673
G	21 / 0.827	23 / 0.906	38 / 1.496
H	40.5 / 1.594	44.5 / 1.752	60 / 2.362
I	33 / 1.299	36 / 1.417	55 / 2.165
K	70 / 2.756	70 / 2.756	78 / 3.071
L	170 / 6.693	178 / 7.008	226 / 8.898
M	58 / 2.283	58 / 2.283	62 / 2.441
N	4.3 / 0.169	5.5 / 0.217	6 / 0.236
P	4.5 / 0.177	4.8 / 0.189	4.8 / 0.189

Cross-section of rod

	□10	□13	□16
a) Gear mechanism without rod but with Rod Guides	249-9000	249-9100	249-9200
b) Gear mechanism with rod 1500mm/59" long and Rod Guides	249-9001	249-9101	249-9201
b ₁) as b) but rod length 2000mm / 79"	249-9002	249-9102	249-9202
b ₂) as b) but rod length 2500mm / 98"	249-9003	249-9103	249-9203
b ₃) as b) but rod length 3000mm / 118"	249-9004	249-9104	249-9204
Number of Rod Guides	2	3	4
Rod stroke	19 / 0.748	19 / 0.748	28 / 1.102
c) Additional Rod Guide	249-0401	249-0402	249-0403
d) Rod catching plate straight (not shown)	249-0201	249-0202	249-0203
d ₁) Rod catching plate angled (not shown)	249-0301		249-0302
e) Rod catching bushing for concrete (2 parts) (not shown)	249-9401	249-9402	249-9403