

1-270 Dustcap and Finger Pull Pr20.1

for cutout 20.1



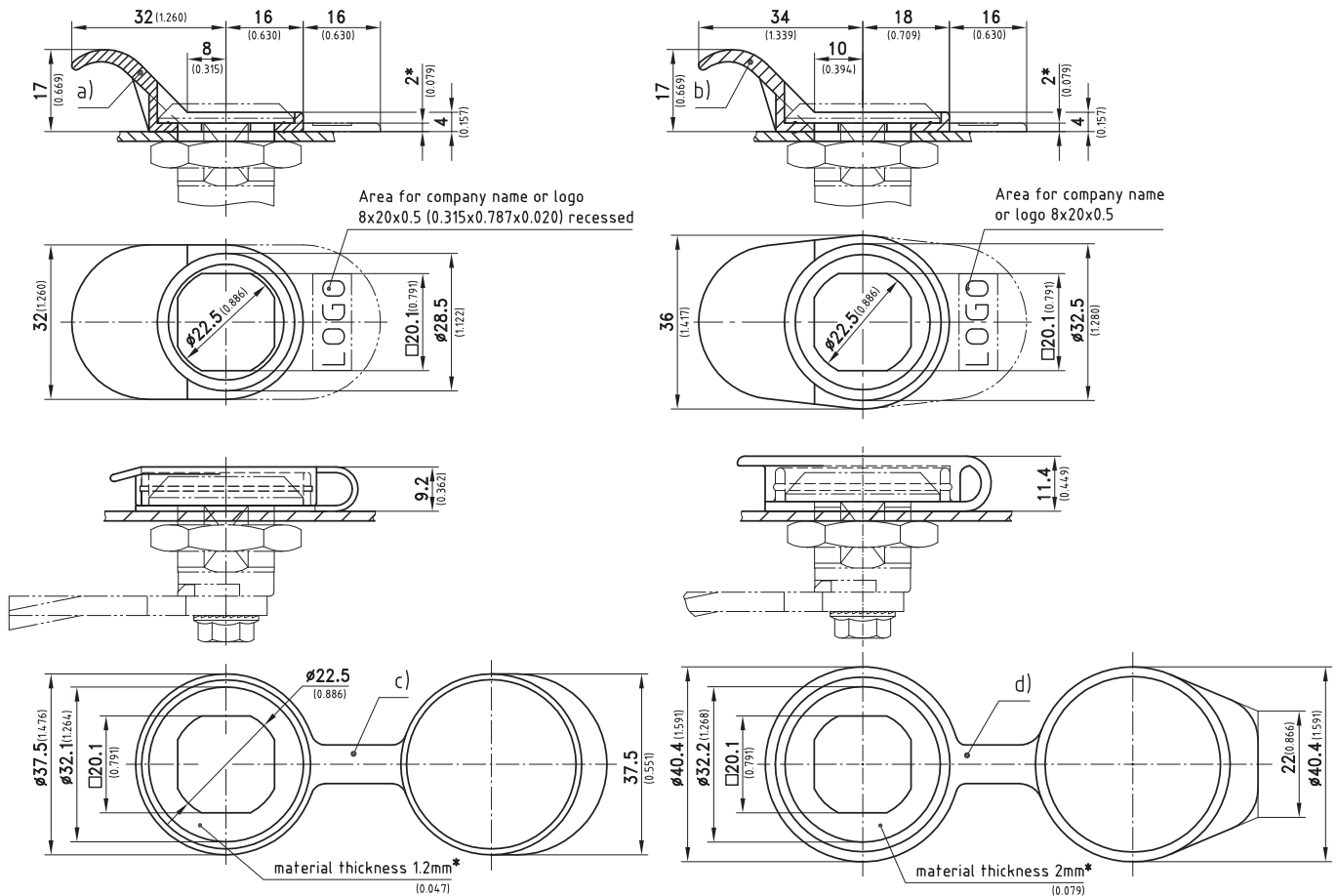
Finger pull for Quarter-turns.

- For head Ø28mm or Ø32mm.
- Without area for company name or logo.
- With area for company name or logo.
- With logo on request.
- Black, other colours on request.
- See product system 1-085, 1-095, 1-100, 1-120 and 1-121.

Material:

- **Finger pull:** PA, black
- **Dustcap:** PP, black or TPU, black

- **Dustcap for Quarter-turn: For bezel Ø28mm or Ø32mm.**
- **To use for in- and outdoor:** Material PP or TPU
- **Advantage of version with TPU:** Temperature range from -40° to +80°C
- **Excellent resistance to pure mineral oils and greases.** Suitable for temperate climate zones
- **See product-system 1-081, 1-085, 1-095, 1-100, 1-110, 1-120, 1-121, 1-130, 1-140, 1-405, 7-075 and 7-080.**



	Part No.
a) Finger pull PA, black for head Ø28 without area for company name or logo	200-4703.03
with area for company name or logo	200-4704.03
b) Finger pull PA, black for head Ø32 without area for company name or logo	200-4705.03
with area for company name or logo	200-4706.03
c) Dustcap PP, black	200-4101
d) Dustcap TPU, black	200-4103

*Please note: By using a finger pull or dust cap 200-4103 H-dimensions changes by 2 mm (0.079"). While using the dustcap 200-4101 the H-dimensions changes by 1.2mm (0.047").