

HINGES & Hardware

FOR INDUSTRIAL APPLICATIONS



METALIKA KACIN

Slovenija

+386 41 694 339

info@metalika-kacin.com

Hrvatska

+385 51 213 060

hrvatska@metalika-kacin.com

Srbija

+381 11 25 21 756

srbija@metalika-kacin.com

PINET®

FinAlu® continuous hinge



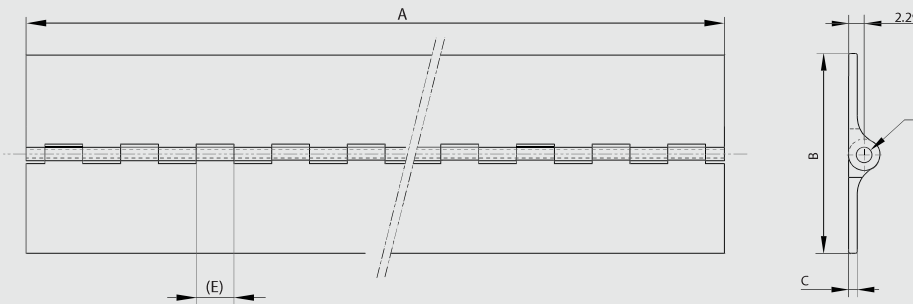
Continuous hinges in aluminium profile with a small pin diameter.

This nice design can be used in many applications (medical, electronic enclosures, food equipment, transportation...).

These hinges have the same dimensions as hinges used in the aircraft industry.



Part number	Material	Finish	A	B	C	D	E	Pin material	Note	Weight (g)
72-1-4243	6082 T5 alu	anodised	915	31.75	1.3	2.2	12.7	stainless steel	undrilled	150
NS 72-1-4338	6082 T5 alu	blue anodised	915	31.75	1.3	2.2	12.7	stainless steel	undrilled	150
NS 72-1-4339	6082 T5 alu	red anodised	915	31.75	1.3	2.2	12.7	stainless steel	undrilled	150
NS 72-1-4340	6082 T5 alu	bronze anodised	915	31.75	1.3	2.2	12.7	stainless steel	undrilled	150
NS 72-1-4341	6082 T5 alu	gold anodised	915	31.75	1.3	2.2	12.7	stainless steel	undrilled	150
72-1-4244	6082 T5 alu	raw	1830	31.75	1.3	2.2	12.7	stainless steel	undrilled	300
NEW 72-1-4418	6082 T5 alu	anodised	915	38.1	1.3	2.2	12.7	stainless steel	undrilled	170
NEW 72-1-4419	6082 T5 alu	raw	1830	38.1	1.3	2.2	12.7	stainless steel	undrilled	340
72-1-4245	6082 T5 alu	anodised	915	44.45	1.3	2.2	12.7	stainless steel	undrilled	190
NS 72-1-4342	6082 T5 alu	blue anodised	915	44.45	1.3	2.2	12.7	stainless steel	undrilled	190
NS 72-1-4343	6082 T5 alu	red anodised	915	44.45	1.3	2.2	12.7	stainless steel	undrilled	190
NS 72-1-4344	6082 T5 alu	bronze anodised	915	44.45	1.3	2.2	12.7	stainless steel	undrilled	190
NS 72-1-4345	6082 T5 alu	gold anodised	915	44.45	1.3	2.2	12.7	stainless steel	undrilled	190
72-1-4246	6082 T5 alu	raw	1830	44.45	1.3	2.2	12.7	stainless steel	undrilled	380
72-1-4247	6082 T5 alu	anodised	915	63.5	1.3	2.2	12.7	stainless steel	undrilled	250
NS 72-1-4346	6082 T5 alu	blue anodised	915	63.5	1.3	2.2	12.7	stainless steel	undrilled	250
NS 72-1-4347	6082 T5 alu	red anodised	915	63.5	1.3	2.2	12.7	stainless steel	undrilled	250
NS 72-1-4348	6082 T5 alu	bronze anodised	915	63.5	1.3	2.2	12.7	stainless steel	undrilled	250
NS 72-1-4349	6082 T5 alu	gold anodised	915	63.5	1.3	2.2	12.7	stainless steel	undrilled	250
72-1-4248	6082 T5 alu	raw	1830	63.5	1.3	2.2	12.7	stainless steel	undrilled	500

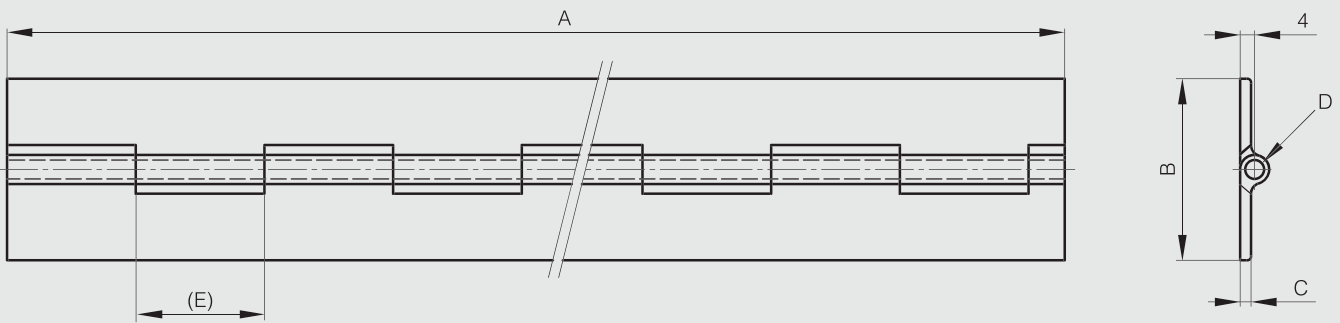


Aluminium profile continuous hinge - 50 mm

Opening angle 270°. Other lengths are available on request.
Specific drilling requirements are also available on request.



Part number	Material	Finish	A	B	C	D	E	Pin material	Note	Weight (g)
72-1-3316	6060 T5 alu	raw	2000	50	3	5.2	35.5	304 stainless steel	undrilled	1200

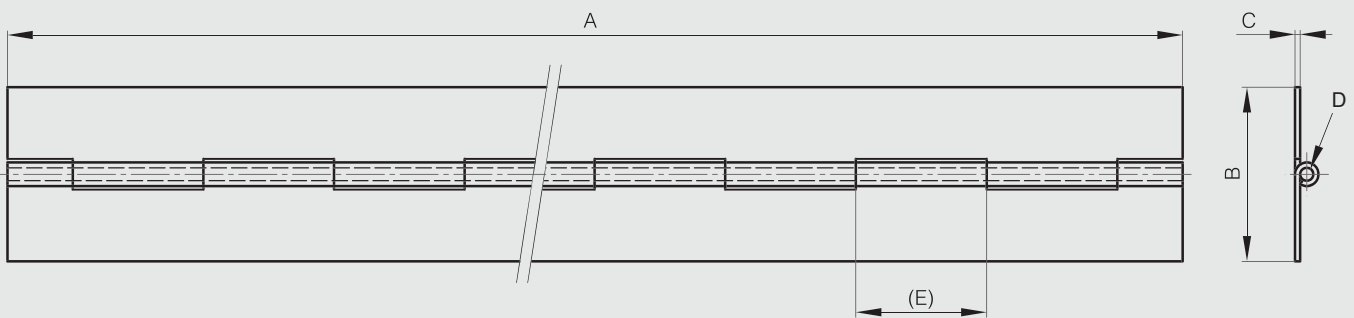


Rolled knuckle continuous hinge - 15 mm width

Opening angle 270°. Other lengths and pin materials are available on request.
Specific drilling requirements are also available on request.



Part number	Material	Finish	A	B	C	D	E	Pin material	Note	Weight (g)
40-1-3327	steel	raw	2040	15	0.7	1.5	15	steel	undrilled	260

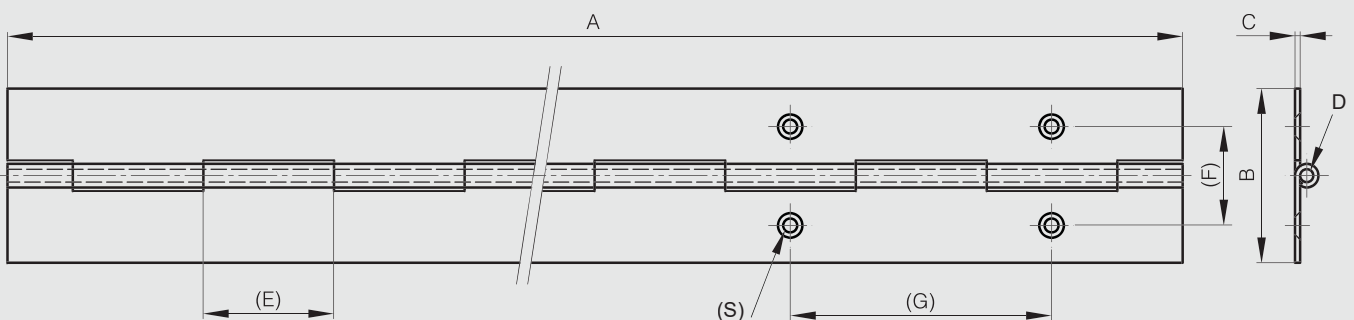


Rolled knuckle continuous hinge - 20 mm width

Opening angle 270°. Other lengths and pin materials are available on request.
Specific drilling requirements are also available on request.



Part number	Material	Finish	A	B	C	D	E	F	G	S	Pin material	Note	Weight (g)
40-1-3328	steel	raw	2040	20	0.8	2	15				steel	undrilled	370
40-1-3321	steel	raw	2040	20	0.8	2	15	11.5	60	2.8	steel	drilled	352
41-1-3529	5754 alu	raw	2000	20	0.6	2.4	15				steel	undrilled	150
42-1-3664	304 stainless steel	raw	2040	20	0.8	2	15				stainless steel	undrilled	377
42-1-4195	304 stainless steel	raw	2040	20	0.8	2	15	11.5	60	2.8	stainless steel	drilled	367



Rolled knuckle continuous hinge - 25 mm width

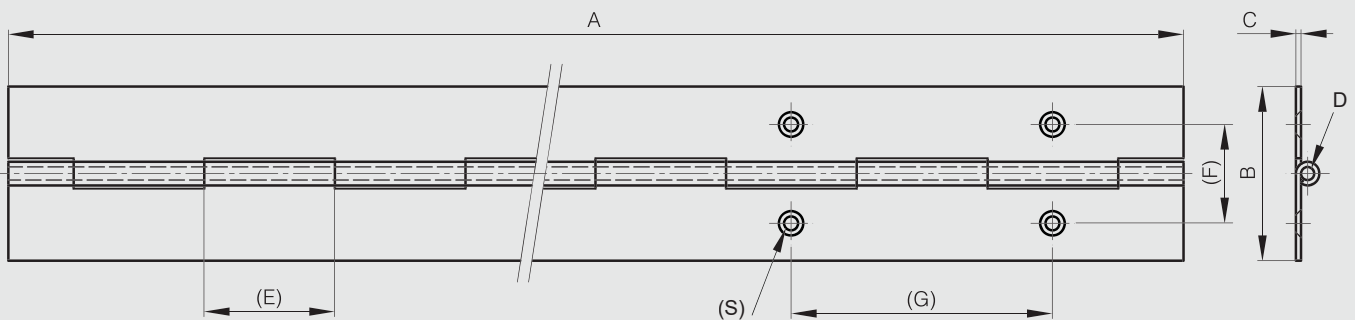
Opening angle 270°. Other lengths and pin materials are available on request.

Specific drilling requirements are also available on request.

Hinge in raw galvanised steel is made of pregalvanised steel. Therefore any cut surface is ungalvanised.



Part number	Material	Finish	A	B	C	D	E	F	G	S	Pin material	Note	Weight (g)
40-1-3329	steel	raw	2040	25	0.8	2	15				steel	undrilled	440
40-1-3322	steel	raw	2040	25	0.8	2	15	14	60	2.8	steel	drilled	436
40-1-4677	galvanised steel	raw	1800	25	1.2	3	30				brass	undrilled	626
41-1-3559	5754 alu	raw	1000	25	0.8	2	15				steel	undrilled	90
42-1-3910	304 stainless steel	raw	1020	25	0.8	2	15				stainless steel	undrilled	280
42-1-3767	304 stainless steel	raw	2040	25	0.8	2	15				stainless steel	undrilled	448
42-1-4196	304 stainless steel	raw	2040	25	0.8	2	15	14	60	3.6	stainless steel	drilled	437
42-1-4096	304 stainless steel	raw	1800	25	1	2	15				stainless steel	undrilled	500
42-1-3949	304 stainless steel	raw	2040	25	1	2	15				stainless steel	undrilled	558
42-1-4546	316L stainless steel	raw	1980	25	0.8	2	15				stainless steel	undrilled	445

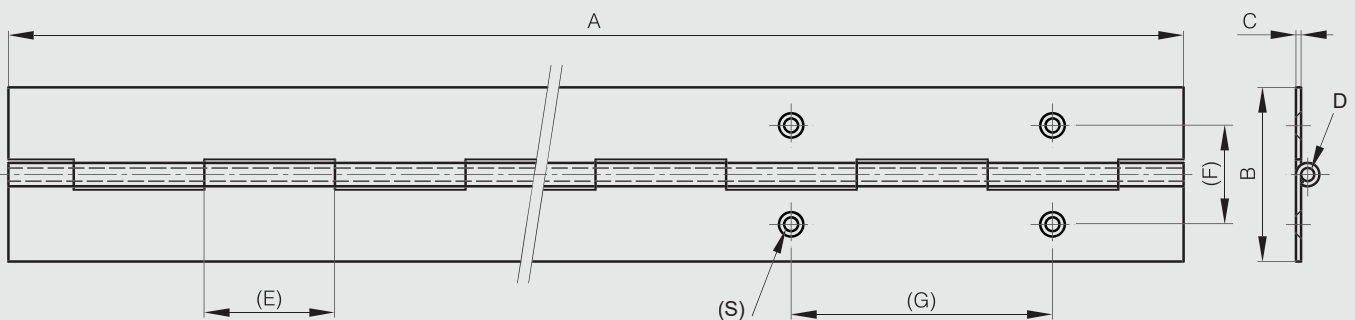


Rolled knuckle continuous hinge - 30 mm width

Opening angle 270°. Other lengths and pin materials are available on request.
Specific drilling requirements are also available on request.



Part number	Material	Finish	A	B	C	D	E	F	G	S	Pin material	Note	Weight (g)
40-1-3330	steel	raw	2040	30	0.8	2	15				steel	undrilled	510
40-1-3323	steel	raw	2040	30	0.8	2	15	16.8	60	3.9	steel	drilled	490
40-1-3679	steel	raw	2040	30	1	2	15				steel	undrilled	640
40-1-3680	steel	raw	2040	30	1	2	15	16.8	60	3.9	steel	drilled	640
40-1-4370	steel	raw	2000	30	2	6	30				steel	undrilled	1800
41-1-3560	5754 alu	raw	1980	30	1	2	15				aluminium	undrilled	205
42-1-3909	304 stainless steel	raw	1020	30	0.8	2	15				stainless steel	undrilled	255
42-1-3580	304 stainless steel	raw	2040	30	0.8	2	15				stainless steel	undrilled	522
42-1-4089	304 stainless steel	raw	1800	30	1	2	15				stainless steel	undrilled	500
42-1-3300	304 stainless steel	raw	2040	30	1	2	15				stainless steel	undrilled	670
42-1-4197	304 stainless steel	raw	2040	30	1	2	15	16.8	60	3.9	stainless steel	drilled	640
42-1-3950	304 stainless steel	raw	1995	30	1.5	4	30				stainless steel	undrilled	1283
42-1-3948	304 stainless steel	raw	1995	30	2	6	25				stainless steel	undrilled	1880
42-1-4082	316L stainless steel	raw	1020	30	1	2	15				stainless steel	undrilled	337
42-1-4000	316L stainless steel	raw	2040	30	1	2	15				stainless steel	undrilled	670

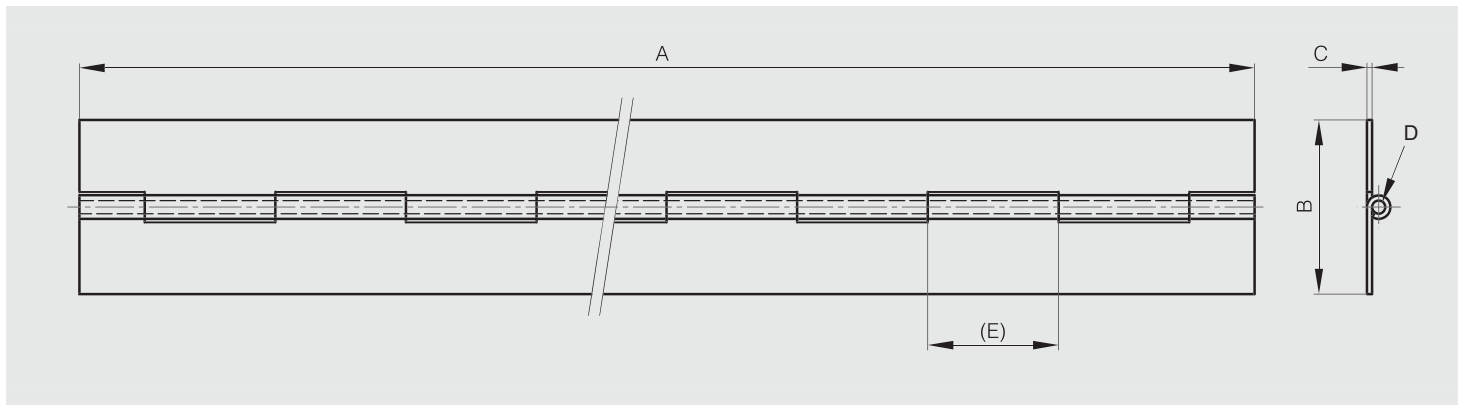


Rolled knuckle continuous hinge - 32 mm width

Opening angle 270°. Other lengths and pin materials are available on request.
Specific drilling requirements are also available on request.



Part number	Material	Finish	A	B	C	D	E	Pin material	Note	Weight (g)
40-1-4771	steel	raw	1950	32	1.5	3	12.5	steel	undrilled	1030
42-1-4346	304 stainless steel	raw	1800	32	1.2	3	30	stainless steel	undrilled	810
42-1-4460	304 stainless steel	raw	1950	32	1.5	3	12.5	stainless steel	undrilled	1030

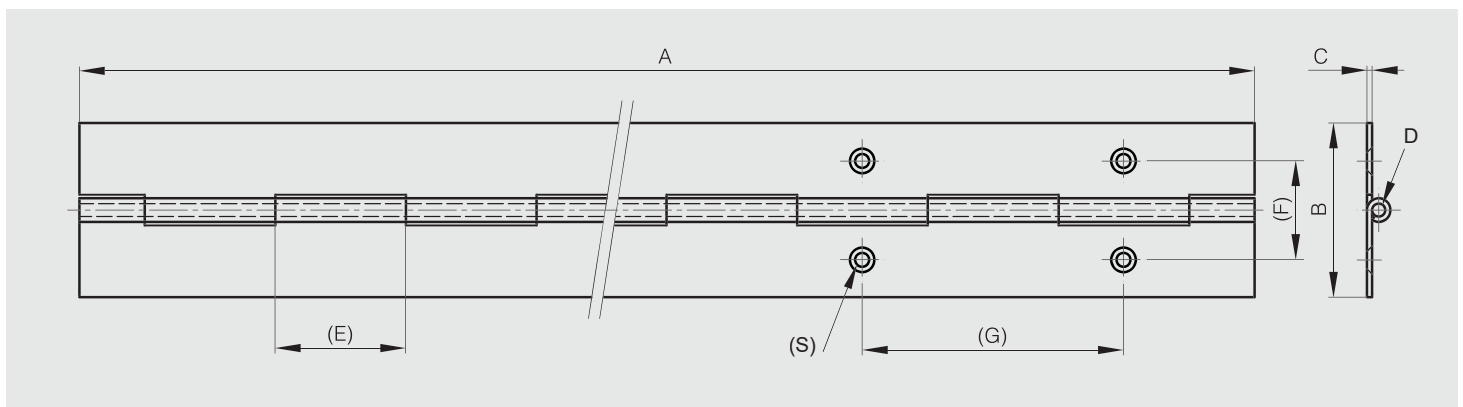


Rolled knuckle continuous hinge - 35 mm width

Opening angle 270°. Other lengths and pin materials are available on request.
Specific drilling requirements are also available on request.



Part number	Material	Finish	A	B	C	D	E	F	G	S	Pin material	Note	Weight (g)
40-1-3332	steel	raw	2040	35	1	2	15				steel	undrilled	700
40-1-3324	steel	raw	2040	35	1	2	15	19.5	60	4.5	steel	drilled	690
41-1-3532	5754 alu	raw	1995	35	1	3	30				aluminium	undrilled	262



Rolled knuckle continuous hinge - 40 mm width

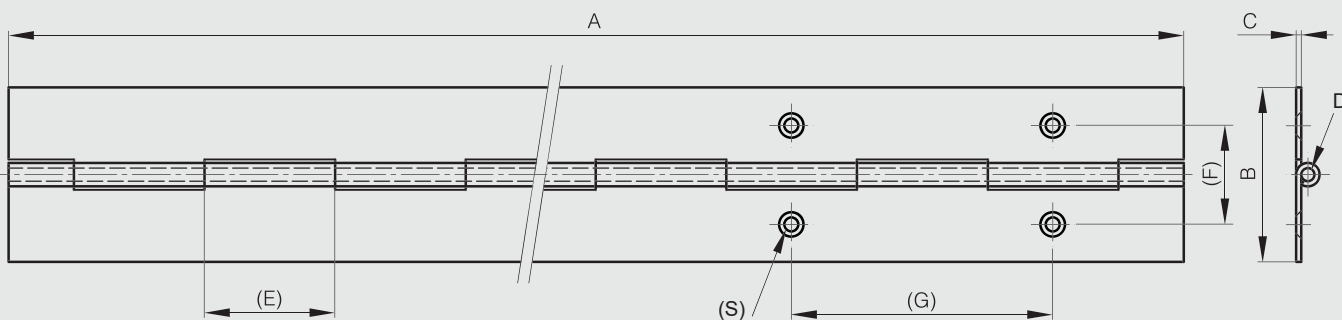
Opening angle 270°. Other lengths and pin materials are available on request.

Specific drilling requirements are also available on request.

Hinge in raw galvanised steel is made of pregalvanised steel. Therefore any cut surface is ungalvanised.



Part number	Material	Finish	A	B	C	D	E	F	G	S	Pin material	Note	Weight (g)
40-1-3703	steel	raw	2040	40	0.8	2	15				steel	undrilled	650
40-1-3681	steel	raw	2040	40	1.2	3	30				steel	undrilled	1077
40-1-3682	steel	raw	2040	40	1.2	3	30	22.7	60	4.2	steel	drilled	1081
40-1-4772	steel	raw	1950	40	1.5	3	12.5				steel	undrilled	1230
40-1-3683	steel	raw	2040	40	1.5	4	15				steel	undrilled	1403
40-1-4691	galvanised steel	raw	1800	40	1.2	3	30				brass	undrilled	1520
41-1-3540	5754 alu	raw	1000	40	1.2	3	30				aluminium	undrilled	180
41-1-3520	5754 alu	raw	2040	40	1.2	3	30				aluminium	undrilled	356
41-1-3521	5754 alu	raw	2000	40	1.5	4	15				aluminium	undrilled	500
42-1-4257	304 stainless steel	raw	1020	40	1.2	3	30				stainless steel	undrilled	530
42-1-4347	304 stainless steel	raw	1800	40	1.2	3	30				stainless steel	undrilled	940
42-1-4350	304 stainless steel	raw	2040	40	1.2	3	30				stainless steel	undrilled	1068
42-1-4349	304 stainless steel	raw	2040	40	1.2	3	30	22.7	60	4.2	stainless steel	drilled	1045
42-1-4461	304 stainless steel	raw	1950	40	1.5	3	12.5				stainless steel	undrilled	1230
42-1-3301	304 stainless steel	raw	2040	40	1.5	4	15				stainless steel	undrilled	1420
42-1-4199	304 stainless steel	raw	2040	40	1.5	4	15	22.7	60	4	stainless steel	drilled	1441
42-1-3770	304 stainless steel	raw	2040	44	2	6	30				stainless steel	undrilled	2463
42-1-4083	316L stainless steel	raw	1020	40	1.5	4	15				stainless steel	undrilled	700
42-1-4001	316L stainless steel	raw	2040	40	1.5	4	15				stainless steel	undrilled	1400
42-1-3665	430 stainless steel	raw	2040	40	0.8	2	15				stainless steel	undrilled	650



Rolled knuckle continuous hinge - 50 mm width

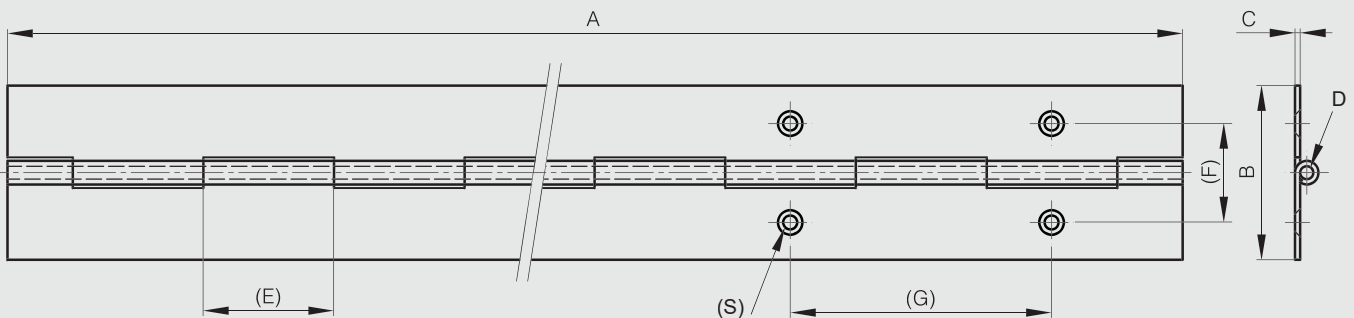
Opening angle 270°. Other lengths and pin materials are available on request.

Specific drilling requirements are also available on request.

Hinge in raw galvanised steel is made of pregalvanised steel. Therefore any cut surface is ungalvanised.



Part number	Material	Finish	A	B	C	D	E	F	G	S	Pin material	Note	Weight (g)
40-1-3704	steel	raw	2040	50	1.2	3	30				steel	undrilled	1317
40-1-3758	steel	raw	2040	50	1.2	3	30	28	60	4	steel	drilled	1270
40-1-4773	steel	raw	1950	50	1.5	3	12.5				steel	undrilled	1460
40-1-4355	steel	raw	2040	50	2	6	30				steel	undrilled	2540
40-1-4679	galvanised steel	raw	1800	50	1.2	3	30				brass	undrilled	1800
41-1-3531	5754 alu	raw	2040	50	1.2	3	30				aluminium	undrilled	459
41-1-3541	5754 alu	raw	1000	50	1.5	4	15				aluminium	undrilled	306
41-1-3522	5754 alu	raw	2000	50	1.5	4	15				aluminium	undrilled	612
42-1-4258	304 stainless steel	raw	1020	50	1.2	3	30				stainless steel	undrilled	650
42-1-4348	304 stainless steel	raw	1800	50	1.2	3	30				stainless steel	undrilled	1112
42-1-4353	304 stainless steel	raw	2040	50	1.2	3	30				stainless steel	undrilled	1300
42-1-4352	304 stainless steel	raw	2040	50	1.2	3	30	28	60	4	stainless steel	drilled	1270
42-1-4462	304 stainless steel	raw	1950	50	1.5	3	12.5				stainless steel	undrilled	1450
42-1-4219	304 stainless steel	raw	1800	50	1.5	4	15				stainless steel	undrilled	1500
42-1-3918	304 stainless steel	raw	1995	50	2	4	25				stainless steel	undrilled	2350
42-1-4259	316L stainless steel	raw	1000	50	1.2	3	30				stainless steel	undrilled	655
42-1-4354	316L stainless steel	raw	2040	50	1.2	3	30				stainless steel	undrilled	1310



Rolled knuckle continuous hinge - 57 mm width

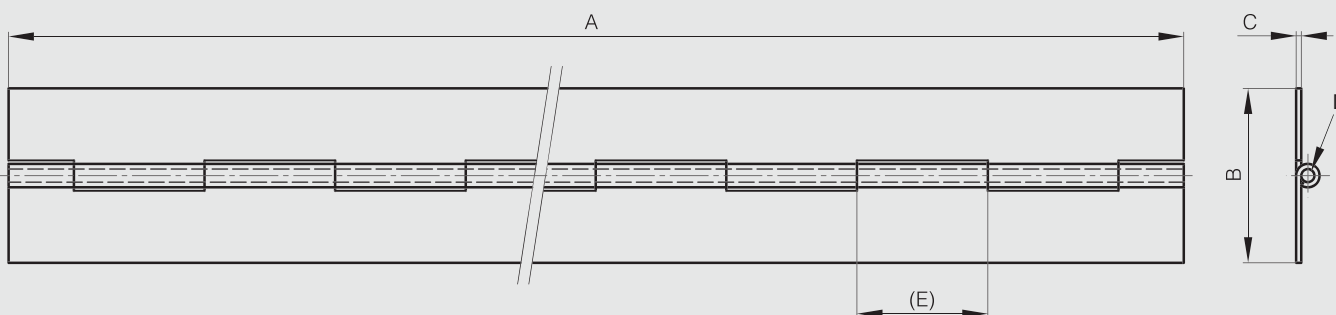
Opening angle 270°. Other lengths and pin materials are available on request.

Specific drilling requirements are also available on request.

Hinge in raw galvanised steel is made of pregalvanised steel. Therefore any cut surface is ungalvanised.



Part number	Material	Finish	A	B	C	D	E	Pin material	Note	Weight (g)
40-1-4680	galvanised steel	raw	2160	57	1.5	4	15	brass	undrilled	2000
40-1-4682	galvanised steel	raw	2160	57	2	6	30	brass	undrilled	2970
42-1-4220	304 stainless steel	raw	2160	57	1.5	4	15	stainless steel	undrilled	2000



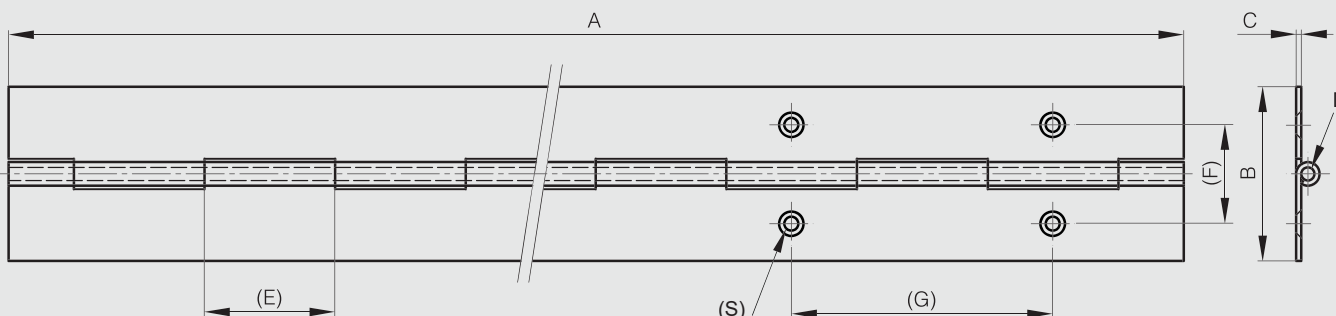
Rolled knuckle continuous hinge - 60 mm width

Opening angle 270°. Other lengths and pin materials are available on request.

Specific drilling requirements are also available on request.



Part number	Material	Finish	A	B	C	D	E	F	G	S	Pin material	Note	Weight (g)
40-1-3541	steel	raw	1995	60	1.5	5	40				steel	undrilled	2006
40-1-3335	steel	raw	2000	60	1.5	8	40				steel	undrilled	2622
40-1-4371	steel	raw	2040	60	2	6	30				steel	undrilled	2800
41-1-3523	5754 alu	raw	1995	60	2	6	30				aluminium	undrilled	998
42-1-4086	304 stainless steel	raw	1020	60	2	6	30				stainless steel	undrilled	1400
42-1-3302	304 stainless steel	raw	2040	60	2	6	30				stainless steel	undrilled	2844
42-1-4201	304 stainless steel	raw	2040	60	2	6	30	35	60	4	stainless steel	drilled	2800
42-1-4085	316L stainless steel	raw	1020	60	2	6	30				stainless steel	undrilled	1470
42-1-4002	316L stainless steel	raw	2040	60	2	6	30				stainless steel	undrilled	2913



Rolled knuckle continuous hinge - 63 mm width

Opening angle 270°. Other lengths and pin materials are available on request.
Specific drilling requirements are also available on request.



Part number	Material	Finish	A	B	C	D	E	Pin material	Note	Weight (g)
42-1-4221	304 stainless steel	raw	1800	63	1.5	4	15	stainless steel	undrilled	1800



Rolled knuckle continuous hinge - 70 mm width

Opening angle 270°. Other lengths and pin materials are available on request.
Specific drilling requirements are also available on request.



Part number	Material	Finish	A	B	C	D	E	Pin material	Note	Weight (g)
40-1-4372	steel	raw	2040	70	2	6	30	steel	undrilled	3218
42-1-4097	304 stainless steel	raw	1800	70	1.5	4	15	stainless steel	undrilled	1900
42-1-3859	304 stainless steel	raw	2040	70	2	6	30	stainless steel	undrilled	3219

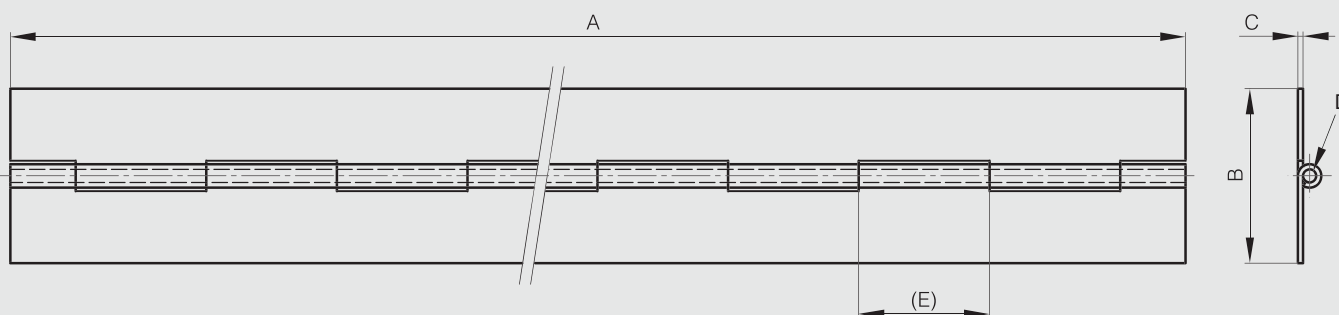


Rolled knuckle continuous hinge - 76 mm width

Opening angle 270°. Other lengths and pin materials are available on request.
Specific drilling requirements are also available on request.
Hinge in raw galvanised steel is made of pregalvanised steel. Therefore any cut surface is ungalvanised.



Part number	Material	Finish	A	B	C	D	E	Pin material	Note	Weight (g)
40-1-4681	galvanised steel	raw	2160	76	1.5	4	15	brass	undrilled	2952
42-1-4094	304 stainless steel	raw	2160	76	1.5	4	15	stainless steel	undrilled	2400

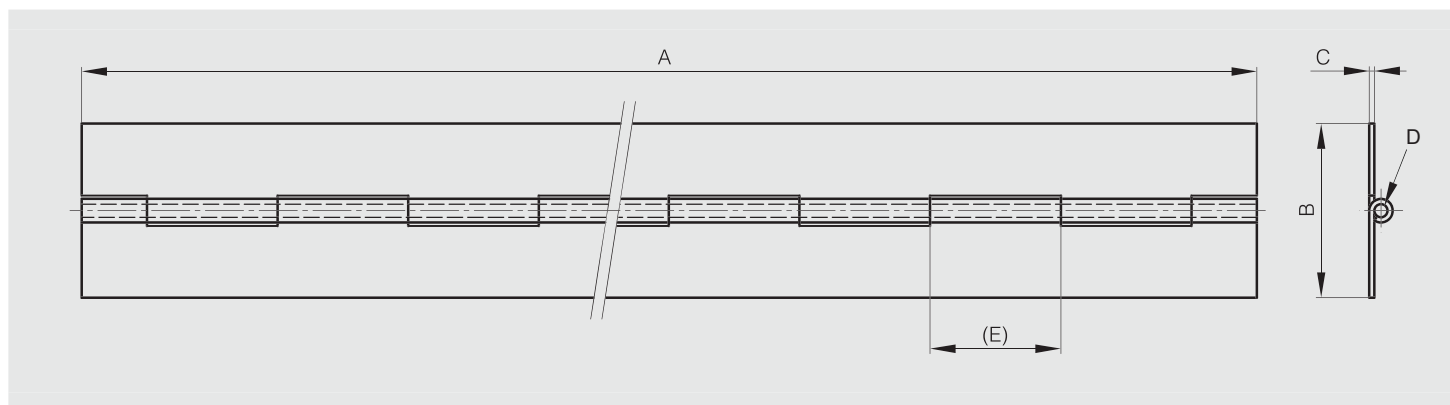


Rolled knuckle continuous hinge - 80 mm width

Opening angle 270°. Other lengths and pin materials are available on request.
Specific drilling requirements are also available on request.



Part number	Material	Finish	A	B	C	D	E	F	G	S	Pin material	Note	Weight (g)
40-1-4774	steel	raw	1950	80	1.5	3	12.5				steel	undrilled	2170
40-1-3542	steel	raw	2000	80	2	7.6	40				steel	undrilled	3900
40-1-4369	steel	raw	2000	80	3	6	40				steel	undrilled	5060
41-1-3558	5754 alu	raw	1995	80	3	6	40				aluminium	undrilled	1780
42-1-4463	304 stainless steel	raw	1950	80	1.5	3	12.5				stainless steel	undrilled	2170
42-1-3304	304 stainless steel	raw	1000	80	3	6	40				stainless steel	undrilled	2530
42-1-3569	304 stainless steel	raw	2000	80	3	6	40				stainless steel	undrilled	5060
42-1-4547	304 stainless steel	raw	2000	80	3	6	40	35	60	5.2	stainless steel	drilled	5000
42-1-4548	316L stainless steel	raw	1980	80	2	6	30				stainless steel	undrilled	3470

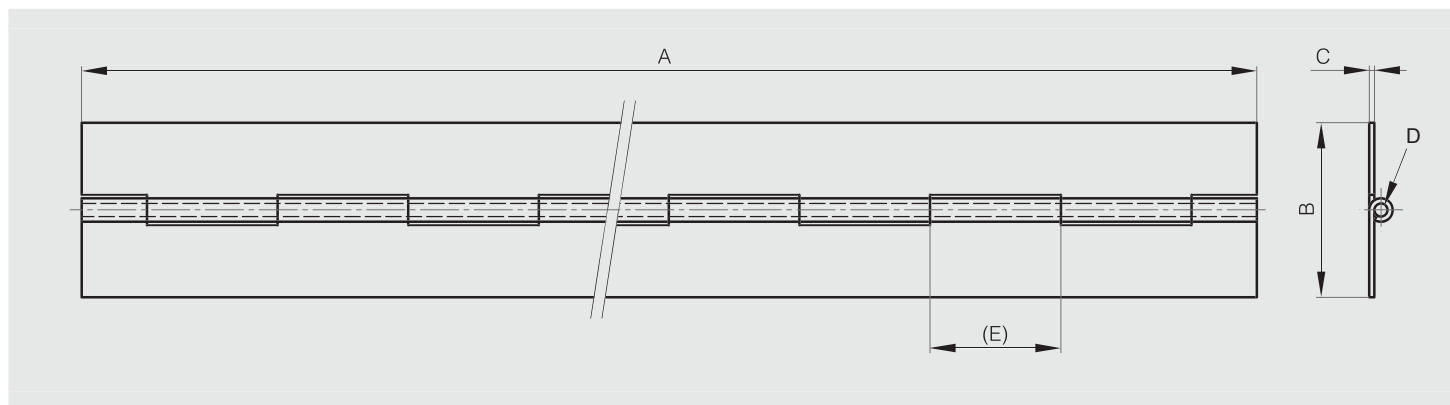


Rolled knuckle continuous hinge - 100 mm width

Opening angle 270°. Other lengths and pin materials are available on request.
Specific drilling requirements are also available on request.



Part number	Material	Finish	A	B	C	D	E	Pin material	Note	Weight (g)
40-1-3543	steel	raw	2000	100	3	10	40	steel	undrilled	7100
40-1-4769	steel	raw	1000	100	4	10	40	steel	undrilled	4690
41-1-3561	5754 alu	raw	1000	100	4	10	40	steel	undrilled	2030
42-1-4458	304 stainless steel	raw	1995	100	3	10	40	stainless steel	undrilled	7110
42-1-4459	304 stainless steel	raw	2000	100	3	6	40	stainless steel	undrilled	5930

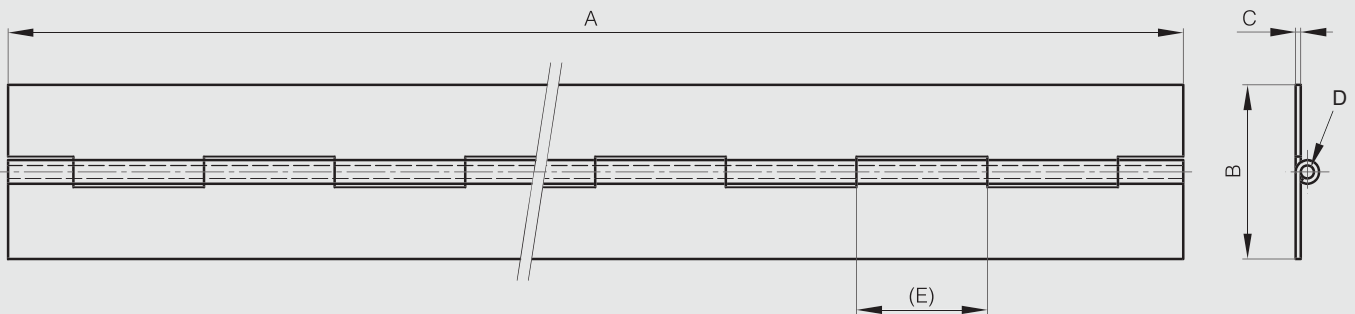


Rolled knuckle continuous hinge - 120 mm width

Opening angle 270°. Other lengths and pin materials are available on request.
Specific drilling requirements are also available on request.



Part number	Material	Finish	A	B	C	D	E	Pin material	Note	Weight (g)
40-1-4770	steel	raw	1000	120	5	10	40	steel	undrilled	6550
42-1-4095	304 stainless steel	raw	2100	120	2	6	30	stainless steel	undrilled	5000



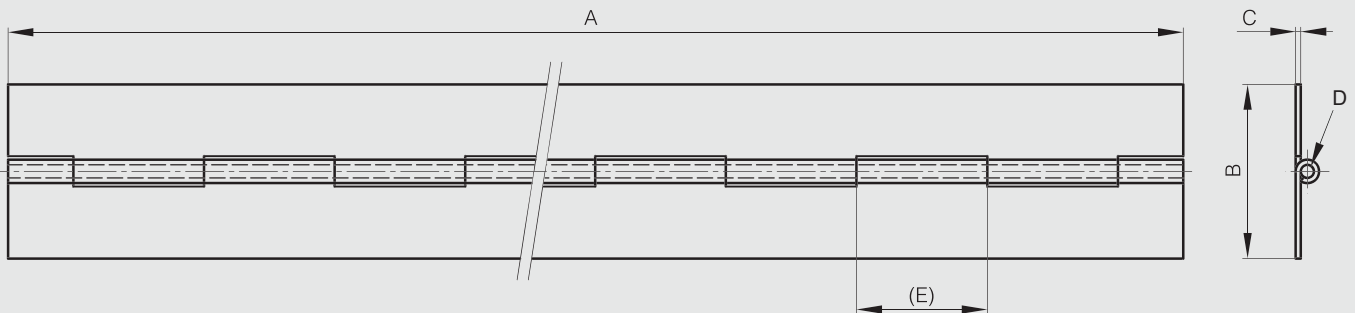
Rolled knuckle continuous hinge - 127 mm width

Opening angle 270°. Other lengths and pin materials are available on request.
Specific drilling requirements are also available on request.



Hinge in raw galvanised steel is made of pregalvanised steel. Therefore any cut surface is ungalvanised.

Part number	Material	Finish	A	B	C	D	E	Pin material	Note	Weight (g)
40-1-4685	galvanised steel	raw	2160	127	3	6	40	brass	undrilled	8000



Interleaf continuous hinge



The hinge sits directly on door frame for minimal gap (3mm).

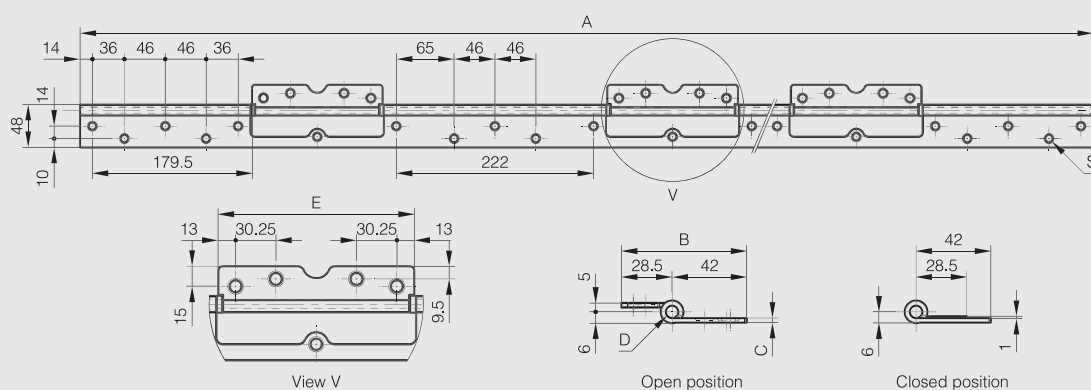
Aesthetically stylish.

Maintenance free polymer shrouded bearings.

Tested to BS EN1935 Grade 14 (160kgs).

Produced mainly in stainless steel, for a complete description of the materials contact us.

Part number	Material	Finish	A	B	C	D	E	S	Note	Weight (g)
NEW 42-7-4610	304 stainless steel	satin polished	2134	70.5	2.5	7	147	9	drilled	3400



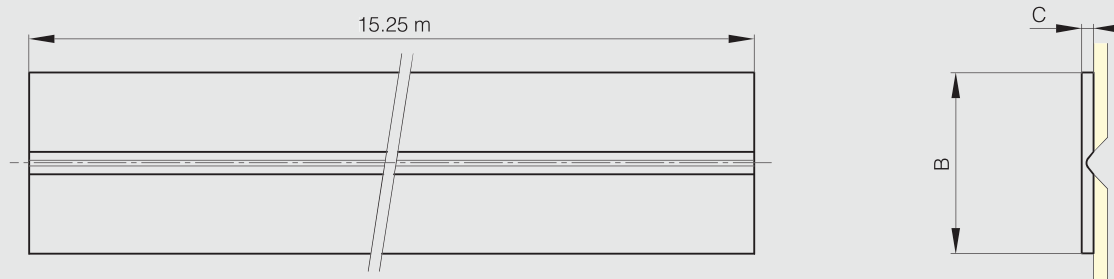
Polymer continuous hinges in 15.25 meter rolls

Technical features:

- Temperature: -40°C up to +80°C.
- Can be fixed with: rivets, screws, nails or clamps.
- Chemical resistance: oil, solvents, sea water and most chemical agents.
- Tensile resistance: 180 N/cm.
- Material offers excellent fatigue resistance.



Part number	Material	Finish	B	C	Weight (g)
44-7-3000	polypropylene	white	28.6	3.2	1080
44-7-3001	polypropylene	grey	28.6	3.2	1080
44-7-3002	polypropylene	black	28.6	3.2	1080
44-7-3003	polypropylene	white	38.1	3.2	1450
44-7-3004	polypropylene	grey	38.1	3.2	1450
44-7-3005	polypropylene	black	38.1	3.2	1450
44-7-3006	polypropylene	white	50.8	3.2	2300
44-7-3007	polypropylene	grey	50.8	3.2	2300
44-7-3008	polypropylene	black	50.8	3.2	2300
44-7-3009	polypropylene	white	76.2	3.2	3100
44-7-3010	polypropylene	grey	76.2	3.2	3100
44-7-3011	polypropylene	black	76.2	3.2	3100

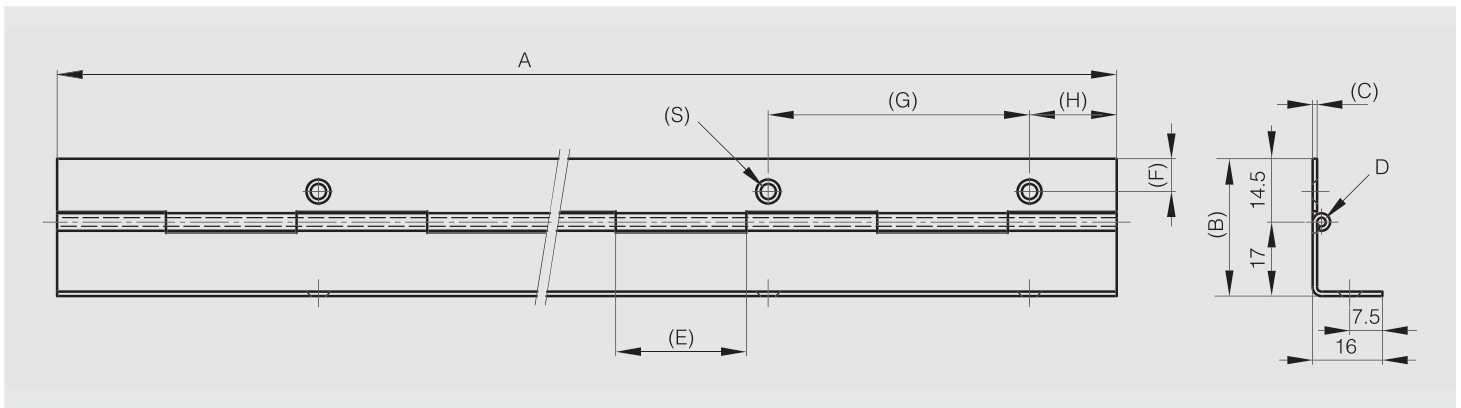


Drilled continuous hinge with one cranked leaf

Opening angle 270°. Other lengths and pin materials are available on request.
Specific drilling requirements are also available on request.



Part number	Material	Finish	A	B	C	D	E	F	G	H	S	Pin material	Note	Weight (g)
39-1-3631	steel	zinc plated	2000	31.5	1	2	30	7.5	60	20	3.5	304 stainless steel	drilled	860
39-1-3630	304 stainless steel	raw	1995	31.5	1	2	30	7.5	60	20	3.5	304 stainless steel	drilled	860

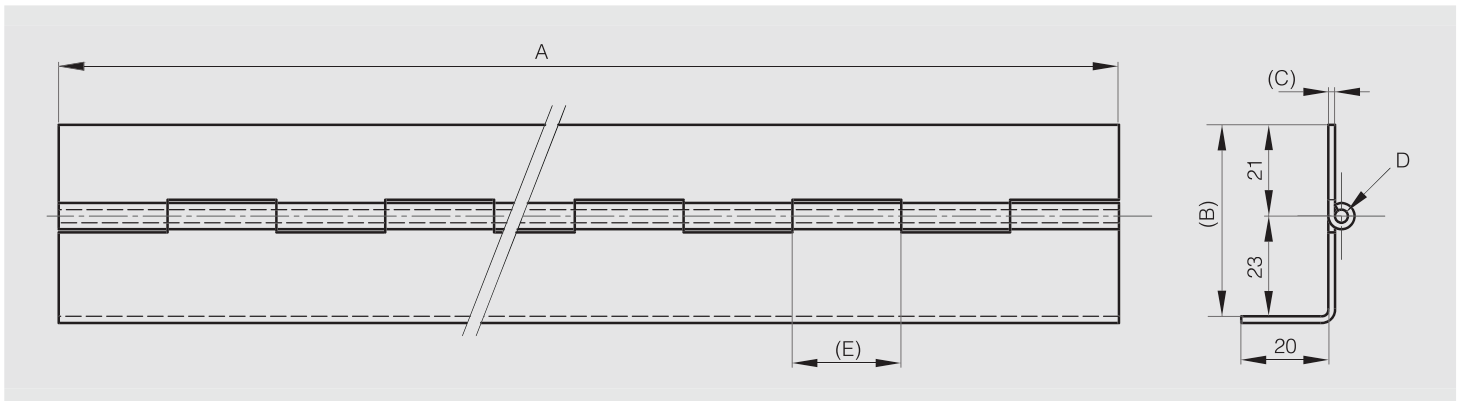


Undrilled continuous hinge with one cranked leaf

Opening angle 270°. Other lengths and pin materials are available on request.
Specific drilling requirements are also available on request.



Part number	Material	Finish	A	B	C	D	E	Pin material	Note	Weight (g)
39-1-3632	steel	zinc plated	1995	44	1.5	3	25	304 stainless steel	undrilled	1756
39-1-3633	304 stainless steel	raw	1995	44	1.5	3	25	304 stainless steel	undrilled	1859
39-1-3300	430 stainless steel	raw	1600	44	1.5	3	25	304 stainless steel	undrilled	1430

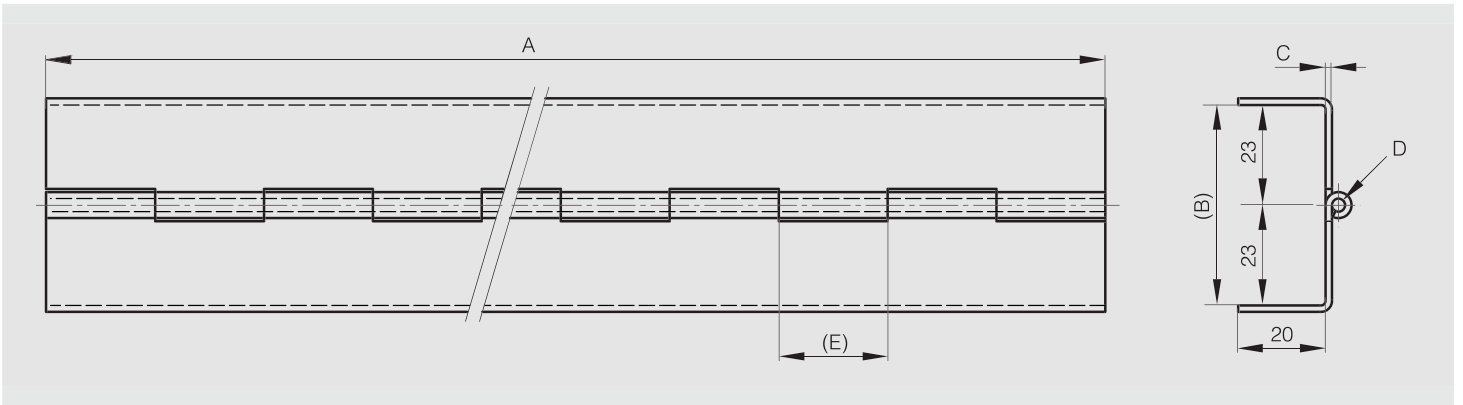


Continuous hinge with two cranked leaves

Opening angle 270°. Other lengths and pin materials are available on request.
Specific drilling requirements are also available on request.



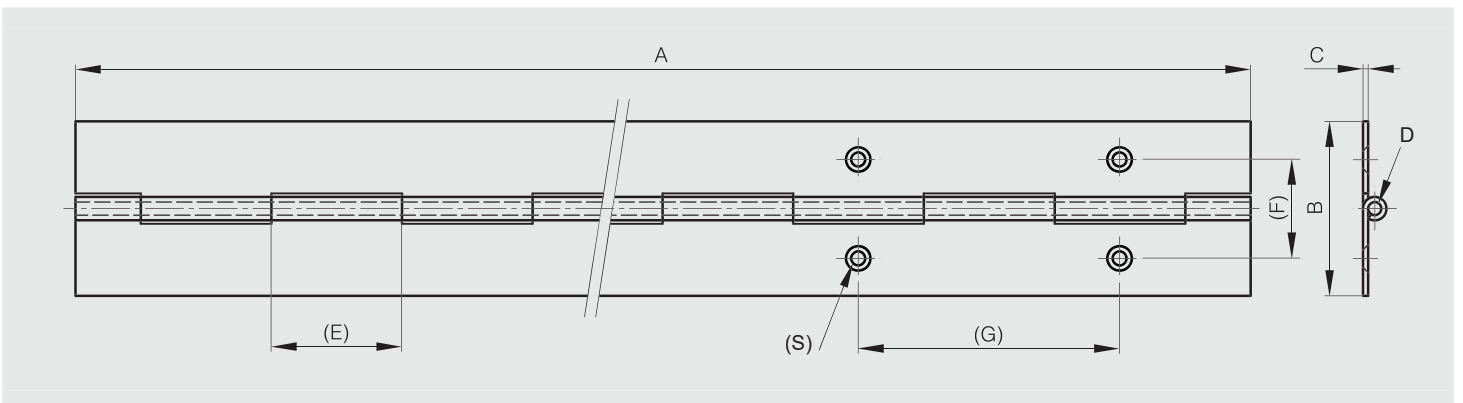
Part number	Material	Finish	A	B	C	D	E	Pin material	Note	Weight (g)
39-1-3634	steel	zinc plated	1995	46	1.5	3	25	304 stainless steel	undrilled	1910
39-1-3635	304 stainless steel	raw	2000	46	1.5	3	25	304 stainless steel	undrilled	1944



Rolled knuckle continuous hinge "Imperial" dimension



Part number	Material	Finish	A	B	C	D	E	Pin material	Note	Weight (g)
42-1-4089 UK	304 stainless steel	raw	6'	1" 1/4	0.04"	0.08"	5/8"	stainless steel	undrilled	500
42-1-4094 UK	304 stainless steel	raw	7'	3"	1/16"	5/32"	5/8"	stainless steel	undrilled	2400
42-1-4095 UK	304 stainless steel	raw	7'	5"	0.08"	1/4"	1" 1/4	stainless steel	undrilled	5000
42-1-4096 UK	304 stainless steel	raw	6'	1"	0.04"	0.08"	5/8"	stainless steel	undrilled	500
42-1-4097 UK	304 stainless steel	raw	6'	2' 3/4	1/16"	5/32"	5/8"	stainless steel	undrilled	1900
42-1-4219 UK	304 stainless steel	raw	6'	2"	1/16"	5/32"	5/8"	stainless steel	undrilled	1500
42-1-4220 UK	304 stainless steel	raw	7'	2' 1/4	1/16"	5/32"	5/8"	stainless steel	undrilled	2000
42-1-4221 UK	304 stainless steel	raw	6'	2' 1/2	1/16"	5/32"	5/8"	stainless steel	undrilled	1800
42-1-4346 UK	304 stainless steel	raw	6'	1" 1/4	3/64"	1/8"	3/4"	stainless steel	undrilled	810
42-1-4347 UK	304 stainless steel	raw	6'	1" 1/2	3/64"	1/8"	3/4"	stainless steel	undrilled	940
42-1-4348 UK	304 stainless steel	raw	6'	2"	3/64"	1/8"	3/4"	stainless steel	undrilled	1112

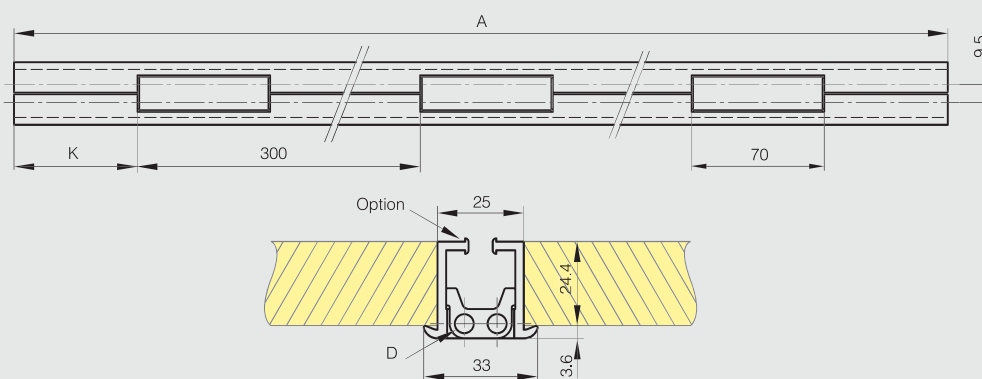


Double knuckle continuous hinge

Hinge in aluminium profile for 180° opening angle.
 Delivered without watertight gasket (to be ordered separately).
 With fixed friction washers.
 Non-drilled hinges.



Part number	Material	Finish	A	D	K	Pin material	Weight (g)
73-1-3520	6060 T5 alu	clear anodised	2000	5	65	304 stainless steel	2500
73-1-3521	6060 T5 alu	clear anodised	2500	5	15	304 stainless steel	3140
73-1-3522	6060 T5 alu	clear anodised	3000	5	115	304 stainless steel	3780

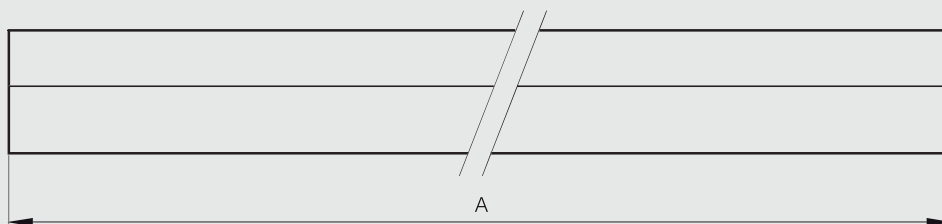


Seal gasket for double knuckle continuous hinge

Gasket made of soft rubber with a steel clip-on core and foam rubber.



Part number	Material	A	Weight (g)
27-1-3816	reinforced rubber profile	2000	235
27-1-3817	reinforced rubber profile	2500	317
27-1-3818	reinforced rubber profile	3000	405

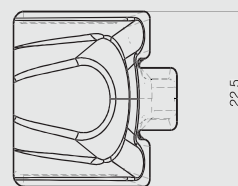
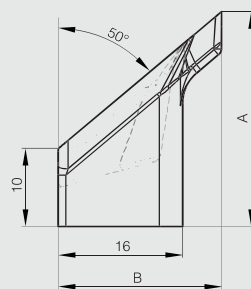


Humidity drain gasket

Moisture collector to be positioned on the floor in line with the double knuckle hinge (when closed).



Part number	Material	A	B	Weight (g)
99-7-3691	polyurethane	27.6	21	4



Polymer continuous hinges in 15.25 meter rolls

Technical features:

- Temperature: -40°C up to +80°C.
- Can be fixed with: rivets, screws, nails or clamps.
- Chemical resistance: oil, solvents, sea water and most chemical agents.
- Tensile resistance: 180 N/cm.
- Material offers excellent fatigue resistance.



Part number	Material	Finish	B	C	Weight (g)
44-7-3000	polypropylene	white	28.6	3.2	1080
44-7-3001	polypropylene	grey	28.6	3.2	1080
44-7-3002	polypropylene	black	28.6	3.2	1080
44-7-3003	polypropylene	white	38.1	3.2	1450
44-7-3004	polypropylene	grey	38.1	3.2	1450
44-7-3005	polypropylene	black	38.1	3.2	1450
44-7-3006	polypropylene	white	50.8	3.2	2300
44-7-3007	polypropylene	grey	50.8	3.2	2300
44-7-3008	polypropylene	black	50.8	3.2	2300
44-7-3009	polypropylene	white	76.2	3.2	3100
44-7-3010	polypropylene	grey	76.2	3.2	3100
44-7-3011	polypropylene	black	76.2	3.2	3100

