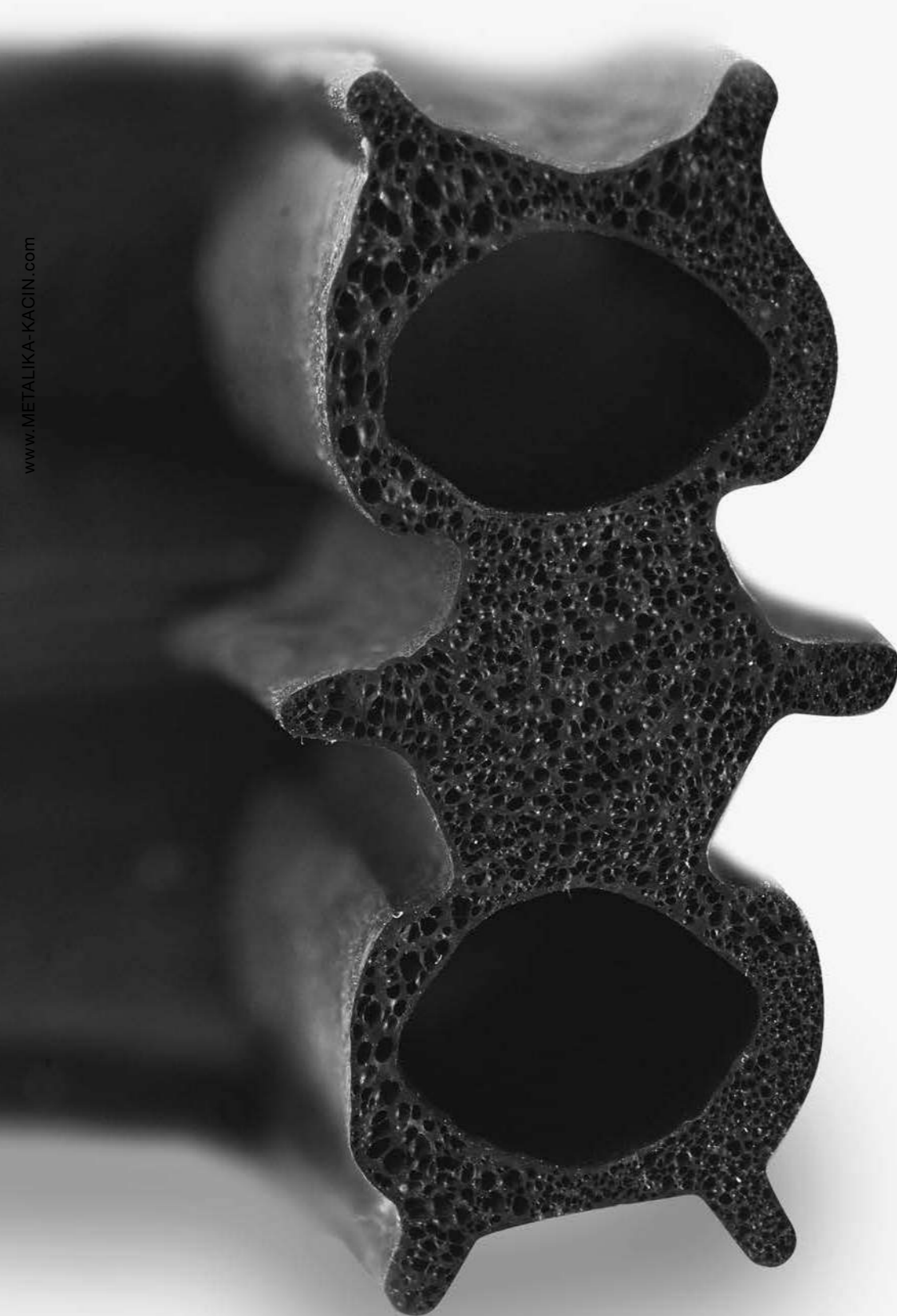


Gaskets



Rounding corners.

With the corner radius you can lay gaskets precisely and in corners so they are always in the optimum radius.



Page 685

Well shielded.

DIRAK EMC gaskets support electromagnetic shielding of housings and help to reduce interference.



Page 673



Page 664



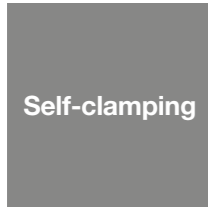
Certified quality.

Products and materials with this icon are UL-certified and meet the relevant standards. Do you need more information? Just contact us.

ELIMINATES INCORRECT ASSEMBLY!

Due to the symmetrical structure of the DIRAK four-lip profile, it cannot be installed incorrectly and firm seating is guaranteed.

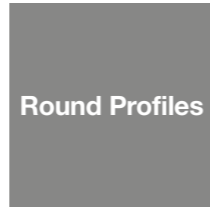
Gaskets by Mounting Type



Page: 664–665, 670–683



Page: 665–667



Page: 668–669

Explanations and instructions

Elastomer designation in accordance with ASTM D 1418-76

- CR Polychlorinated butadiene e.g. Neoprene
- EPDM Ethylene-propylene terpolymers e.g. Keltan
- NBR Acrylonitrile butadiene copolymers e.g. Perbunan
- NR Natural rubber (polyisoprene)

Elastomers and their properties

Chemical designation	Natural rubber	Nitrile rubber	Chloroprene rubber	Ethylene-Propylene-diene-rubber
Acronym according to ASTM D 1418	NR	NBR	CR	EPDM
Hardness range (Shore A) +/-5	40-90	45-90	40-90	40-85
Tear resistance N/mm ²	4-15	4-14	5-15	6-13
Rebound resiliency at 20°C	++	0	+	+
Abrasion resistance	++	+	+	+
Elastic properties	++	+	+	+
Chemical resistance ^A	+	0	+	++
Resistance to oil ^A	-	++	+	-
Resistance to fuels ^A	none	+	-	-
Solvent resistance ^A	-	+	+	0
Temperature resistance °C ^B	-40 to +80	-30 to +100	-25 to +100	-40 to +100
Ozone resistance	0	0	++	++
Gen. weathering resistance	+	+	++	++
Gas impermeability	0	+	+	0
Resistance to permanent deformation ^C	++	+	+	+
Bonding to metal	++	0	+	0
Dielectric properties	++	-	0	++

Explanation of symbols

- A = Because of the numerous possible chemicals, solvents, application-temperatures and duration, the values stated may vary in individual cases. In particular, a type of elastomer that generally displays a low resistance may be very resistant to certain media.
- B = These are limits that may fluctuate according to the composition of the mixture. Continuous use at limit levels brings about a change in the physical values. Special elastomer mixtures are necessary for extreme loads.
- C = In general, the resistance declines at relatively low or high temperatures.

- ++ = excellent to very good
- + = good
- o = satisfactory to moderate
- = low to poor

664 Four Lips Channel Sealing Profile EPDM [5-100]

665 Self-Clamping Profiles EPDM [5-110.01]

665 Castellated Profile EPDM [5-127.01]

666 Rectangular Seals EPDM / CR [5-120]

667 Rectangular Seals EPDM / CR [5-125]

668 Round Profiles EPDM / CR [5-127]

670 Window Seals EPDM [5-130]

671 Window Seal EPDM [5-131]

672 Window Seals EPDM / NBR[5-140]

673 Clip-on EMC/RFI Sealing Profiles [5-149]

674 Clip-on Sealing Profiles EPDM / NBR [5-150]

675 Clip-on Sealing Profiles EPDM / NBR [5-151]

676 Clip-on Sealing Profiles EPDM [5-152]

677 Clip-on Sealing Profiles PVC / EPDM [5-153]

678 Clip-on Sealing Profiles PVC / EPDM [5-154]

679 Special Profiles EPDM [5-155]

680 Channel Sealing Profiles PVC [5-110.02]

681 Profile for Double Doors EPDM[5-156]

682 Edge Protections PVC [5-160]

683 Edge Protection EPDM [5-161]

684 Accessories for Profiles [5-170]

685 Radius Adapter [5-171]

686 Rubber Bumpers EPDM / NR [5-950.01]

686 Mushroom Type Bumpers EPDM / NR [5-950.02]



Advantages

- High tolerance sealing at minimal compression.
- Balanced sealing properties between gasket/frame and gasket/door.
- Special lips on the profiles allow defined longitudinal movement but prevent the profiles from falling out when opening the door.
- The profile characteristics are the same for both high-pressure and vacuum applications.
- They can be used for 90° corners without warping or folding.
- The double symmetry prevents incorrect fitting.
- Tool-less installation by simply pressing into the channel.
- Tested according to UL 157 and UL 50E.

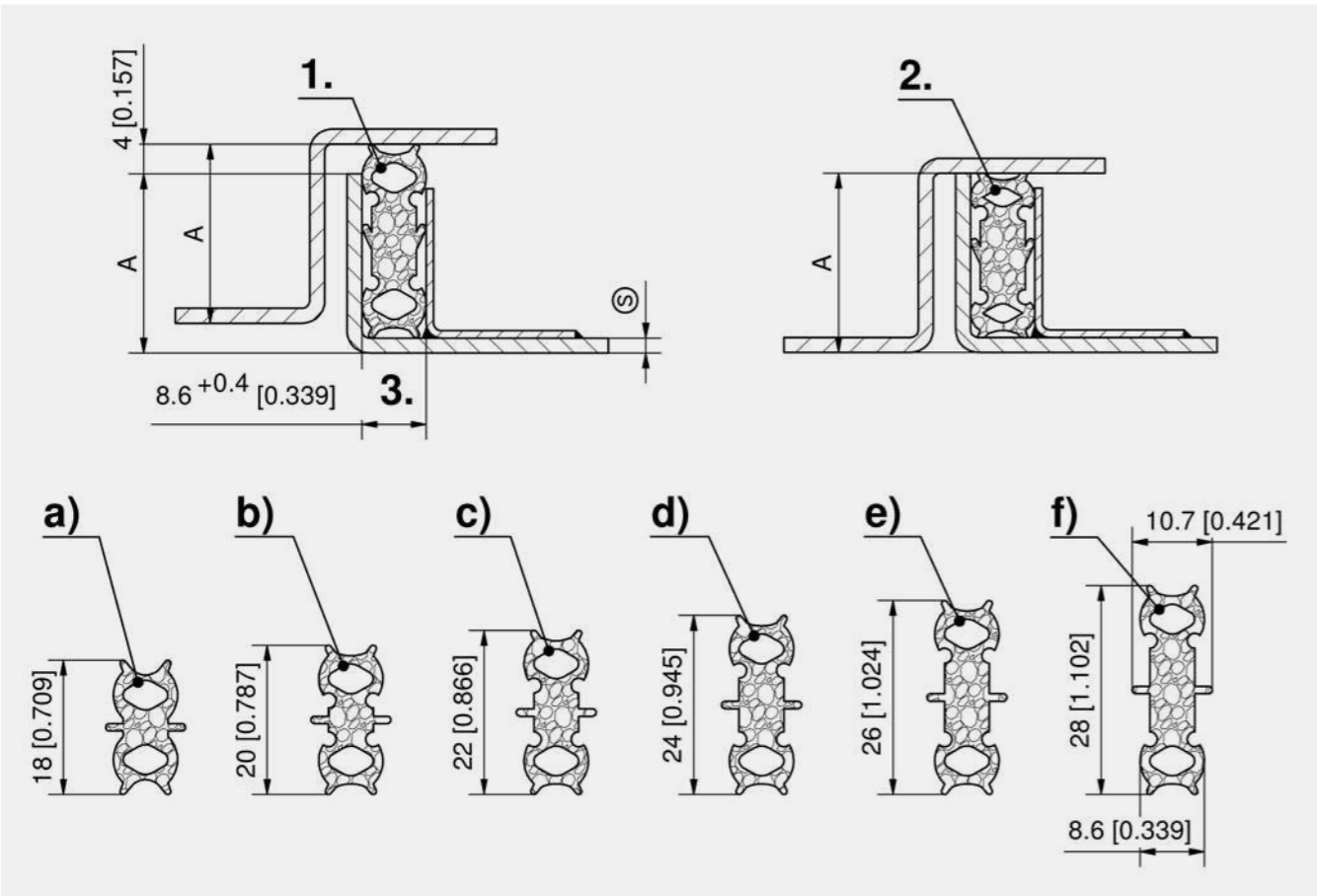
Materials

Sponge rubber quality: EPDM, black

Remarks

- not compressed
 - compressed
 - groove width must not be smaller than 8.6mm.
- The best sealing result is only achieved in case the gasket can move freely in the groove and is only hold in position by the 2 central "lips".

Note Tolerances!



Four lips channel sealing profile EPDM

	Part Number	Bending	Width W	Height H	Collar length	Delivery Unit
a)	209-0118.00-00000	16 mm	8.6 mm	18 mm	40 m	40 m
b)	209-0120.00-00000	18 mm	8.6 mm	20 mm	40 m	40 m
c)	209-0122.00-00000	20 mm	8.6 mm	22 mm	40 m	40 m
d)	209-0124.00-00000	22 mm	8.6 mm	24 mm	40 m	40 m
e)	209-0126.00-00000	24 mm	8.6 mm	26 mm	40 m	40 m
f)	209-0128.00-00000	26 mm	8.6 mm	28 mm	40 m	40 m



Advantages

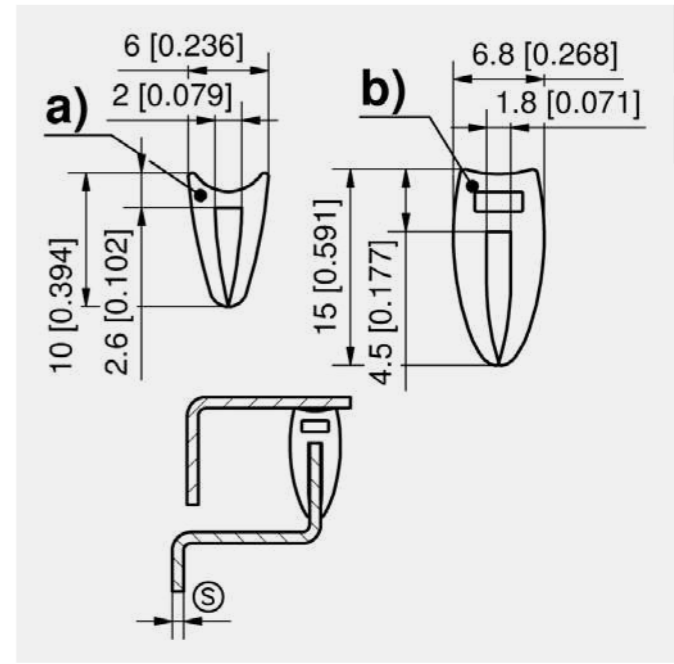
- Easy assembly by pressing on a sheet metal edge.
- Small bending radii.
- Tested according to UL 157 and UL 50 E.

Materials

Self-Clamping Profile: EPDM, black

Remarks

Note Tolerances!



Self-clamping profiles, EPDM

	Part Number	Width W	Height H	Collar length	Delivery Unit
a)	209-0301.00-00000	6 mm	10 mm	50 m	50 m
b)	209-0302.00-00000	6.8 mm	15 mm	50 m	50 m

Castellated Profile EPDM



Advantages

- Self-adhesive and non-stretching.
- Tested according to UL 157 and UL 50 E.

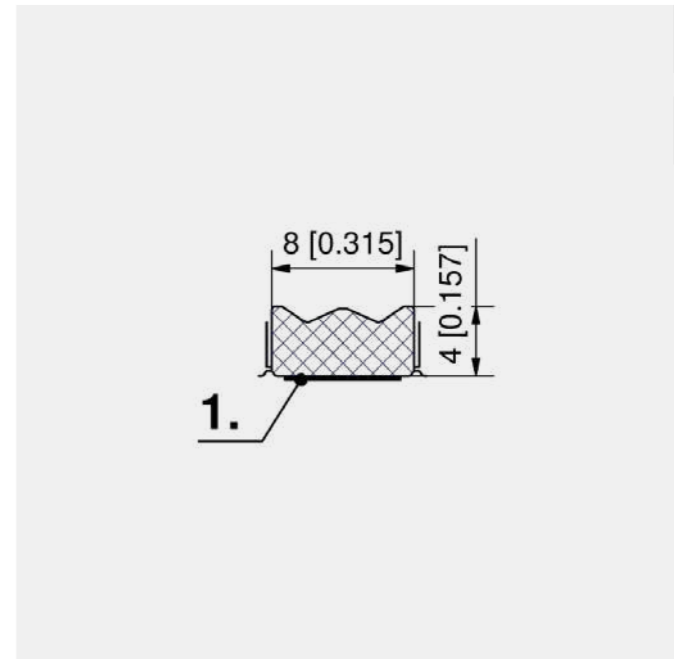
Materials

Castellated profile: EPDM, black

Storability: 6 months

Remarks

- Note Tolerances!
- adhesive film



Castellated profile

	Part Number	Width W	Height H	Collar length	Delivery Unit
	209-1401.00-00000	8 mm	4 mm	125 m	125 m





Advantages

- One side self-adhesive and non-stretching.
- Closed cells.
- Highly water and air tight.
- Water absorption of 5% maximum on the surface possible.
- Material **CR** is oil resistant, inert or anti-bacterial according to DIN EN ISO 846-C and is inert or fungistatic according to DIN EN ISO 846-A.
- Material **EPDM** is UV resistant and fulfils the Norms Fire resistance to FMVSS 302: SE, Burn Rate <100mm/min, from material thickness ≥ 3 mm.

Materials

- **Rectangular seals:** EPDM or CR, black

- **Shelf life:** 6 months

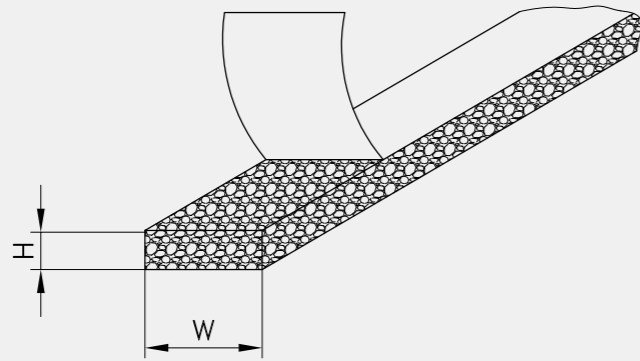
Remarks

Order example: EPDM tape 30 wide, 10 thick = 225-3010, CR tape 30 wide, 10 thick = 226-3010

Over 15mm thickness in strips of 1m. Other dimensions are available on request. (Delivery time 3 weeks)

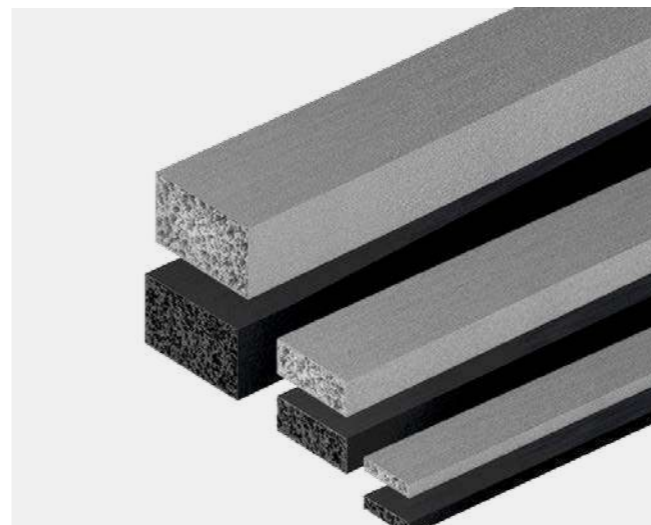
Note Tolerances!

Meets the standards: Fire behavior according to FMVSS 302: SE, burning rate <100mm/min, from material thickness ≥ 2mm. Fire behavior listed according to UL94 (E321195): HF-1 from material thickness ≥ 4mm. Complies with the classification according to R24 HL2 - EN 45545-2.



Rectangular seals

Part Number	Width W	Height H	Material	Collar length	Delivery Unit
225-1003.00-00000	10 mm	3 mm	EPDM	20 m	20 m
225-1004.00-00000	10 mm	4 mm	EPDM	20 m	20 m
225-1005.00-00000	10 mm	5 mm	EPDM	20 m	20 m
225-1503.00-00000	15 mm	3 mm	EPDM	20 m	20 m
225-1504.00-00000	15 mm	4 mm	EPDM	20 m	20 m
225-1505.00-00000	15 mm	5 mm	EPDM	20 m	20 m
225-2003.00-00000	20 mm	3 mm	EPDM	20 m	20 m
225-2004.00-00000	20 mm	4 mm	EPDM	20 m	20 m
225-2005.00-00000	20 mm	5 mm	EPDM	20 m	20 m
226-1003.00-00000	10 mm	3 mm	CR	20 m	20 m
226-1004.00-00000	10 mm	4 mm	CR	20 m	20 m
226-1005.00-00000	10 mm	5 mm	CR	20 m	20 m
226-1503.00-00000	15 mm	3 mm	CR	20 m	20 m
226-1504.00-00000	15 mm	4 mm	CR	20 m	20 m
226-1505.00-00000	15 mm	5 mm	CR	20 m	20 m
226-2003.00-00000	20 mm	3 mm	CR	20 m	20 m
226-2004.00-00000	20 mm	4 mm	CR	20 m	20 m
226-2005.00-00000	20 mm	5 mm	CR	20 m	20 m



Advantages

- EPDM seals (black and light grey) are tested according to the UL standards UL 157 and UL 50E.
- Density: CR 0.55±0.05g/cm³, EPDM 0.6±0.1g/cm³.
- Profile without Glue: 268- CR black, 272- EPDM black, 270- EPDM light grey.
- Profile with self-adhesive on one side. They are non-stretching: 269- CR black, 273- EPDM black, 271- EPDM light grey.
- Profile with permanent fixing with Acrylic Foam Tape: 277- CR black, 274- EPDM black, 275- EPDM light grey.

Materials

- **Rectangular seals:** EPDM or CR

- The shelf life for seals with glue is approx. 6 months.

- The self-adhesive seals are available within 3 weeks.

Remarks

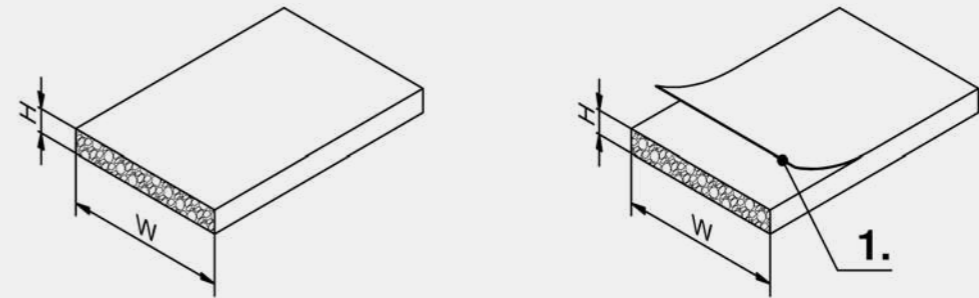
Packaging:

the rectangular seals are delivered in the specified packaging units.

Note Tolerances!

ATTENTION: the glue on the self-adhesive seal is only an assembling aid.

- 1. self-adhesive

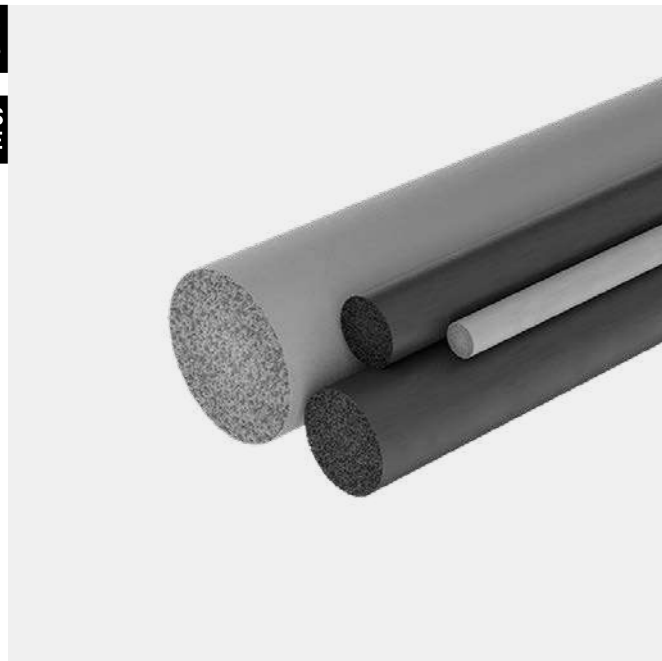


Examples for rectangular seals

Part Number	Width W	Height H	Collar length	Delivery Unit
268-0802.00-00000	8 mm	2 mm	100 m	100 m
268-1002.00-00000	10 mm	2 mm	100 m	100 m
268-1502.00-00000	15 mm	2 mm	100 m	100 m
268-1003.00-00000	10 mm	3 mm	100 m	100 m
268-1503.00-00000	15 mm	3 mm	100 m	100 m
268-1803.00-00000	18 mm	3 mm	100 m	100 m
268-2003.00-00000	20 mm	3 mm	100 m	100 m
268-3003.00-00000	30 mm	3 mm	50 m	50 m
268-0804.00-00000	8 mm	4 mm	100 m	100 m
268-1004.00-00000	10 mm	4 mm	100 m	100 m
268-1204.00-00000	12 mm	4 mm	100 m	100 m
268-1504.00-00000	15 mm	4 mm	100 m	100 m
268-2004.00-00000	20 mm	4 mm	100 m	100 m
268-3004.00-00000	30 mm	4 mm	50 m	50 m
268-0505.00-00000	5 mm	5 mm	100 m	100 m
268-1005.00-00000	10 mm	5 mm	100 m	100 m
268-1505.00-00000	15 mm	5 mm	50 m	50 m
268-2005.00-00000	20 mm	5 mm	50 m	50 m
268-2505.00-00000	25 mm	5 mm	50 m	50 m
268-3005.00-00000	30 mm	5 mm	50 m	50 m
268-4005.00-00000	40 mm	5 mm	50 m	50 m
268-5005.00-00000	50 mm	5 mm	25 m	25 m
268-0606.00-00000	6 mm	6 mm	100 m	100 m

The sealing profiles listed here are just a few examples of over 500 rectangular seals from our program. For other cross-sections or questions about dimensions, delivery time or delivery units, please contact us. We will be glad to help you.





Advantages

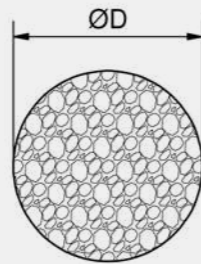
- Round profiles EPDM or CR with a closed surface.
- EPDM profiles are tested according to UL 157 and UL 50 E.

Materials

- Round profiles: EPDM or CR
- Storeability: 6 months

Remarks

Note Tolerances!



Round profiles, EPDM, light grey

Part Number	Diameter Ø	Collar length	Delivery Unit
270-0020.00-00000	2.0 mm	200 m	200 m
270-0025.00-00000	2.5 mm	200 m	200 m
270-0030.00-00000	3.0 mm	200 m	200 m
270-0035.00-00000	3.5 mm	200 m	200 m
270-0040.00-00000	4.0 mm	200 m	200 m
270-0045.00-00000	4.5 mm	200 m	200 m
270-0050.00-00000	5.0 mm	200 m	200 m
270-0060.00-00000	6.0 mm	200 m	200 m
270-0070.00-00000	7.0 mm	200 m	200 m
270-0080.00-00000	8.0 mm	200 m	200 m
270-0090.00-00000	9.0 mm	200 m	200 m
270-0100.00-00000	10 mm	200 m	100 m
270-0110.00-00000	11 mm	200 m	100 m
270-0120.00-00000	12 mm	200 m	100 m
270-0130.00-00000	13 mm	50 m	50 m
270-0140.00-00000	14 mm	50 m	50 m
270-0150.00-00000	15 mm	50 m	50 m
270-0160.00-00000	16 mm	50 m	50 m
270-0180.00-00000	18 mm	25 m	25 m
270-0200.00-00000	20 mm	25 m	25 m
270-0220.00-00000	22 mm	25 m	25 m
270-0250.00-00000	25 mm	25 m	25 m
270-0300.00-00000	30 mm	20 m	20 m
270-0350.00-00000	35 mm	20 m	20 m
270-0400.00-00000	40 mm	20 m	20 m
270-0450.00-00000	45 mm	10 m	10 m
270-0500.00-00000	50 mm	10 m	10 m

Round profiles, EPDM, black

Part Number	Diameter Ø	Collar length	Delivery Unit
272-0020.00-00000	2.0 mm	200 m	200 m
272-0025.00-00000	2.5 mm	200 m	200 m
272-0030.00-00000	3.0 mm	200 m	200 m
272-0035.00-00000	3.5 mm	200 m	200 m
272-0040.00-00000	4.0 mm	200 m	200 m
272-0045.00-00000	4.5 mm	200 m	200 m
272-0050.00-00000	5.0 mm	200 m	200 m
272-0060.00-00000	6.0 mm	200 m	200 m
272-0070.00-00000	7.0 mm	200 m	200 m
272-0080.00-00000	8.0 mm	200 m	200 m
272-0090.00-00000	9.0 mm	200 m	200 m
272-0100.00-00000	10 mm	100 m	100 m
272-0110.00-00000	11 mm	100 m	100 m
272-0120.00-00000	12 mm	100 m	100 m
272-0130.00-00000	13 mm	50 m	100 m
272-0140.00-00000	14 mm	50 m	50 m
272-0150.00-00000	15 mm	50 m	50 m
272-0160.00-00000	16 mm	50 m	50 m
272-0180.00-00000	18 mm	25 m	25 m
272-0200.00-00000	20 mm	25 m	25 m
272-0220.00-00000	22 mm	25 m	25 m
272-0250.00-00000	25 mm	25 m	25 m
272-0300.00-00000	30 mm	20 m	20 m
272-0350.00-00000	35 mm	20 m	20 m
272-0400.00-00000	40 mm	20 m	20 m
272-0450.00-00000	45 mm	10 m	20 m
272-0500.00-00000	50 mm	10 m	10 m

Round profiles, CR, black

Part Number	Diameter Ø	Collar length	Delivery Unit
268-0020.00-00000	2.0 mm	200 m	200 m
268-0030.00-00000	3.0 mm	200 m	200 m
268-0040.00-00000	4.0 mm	200 m	200 m
268-0050.00-00000	5.0 mm	200 m	200 m
268-0060.00-00000	6.0 mm	200 m	200 m
268-0070.00-00000	7.0 mm	200 m	200 m
268-0080.00-00000	8.0 mm	200 m	200 m
268-0100.00-00000	10 mm	100 m	100 m
268-0120.00-00000	12 mm	100 m	100 m
268-0150.00-00000	15 mm	50 m	50 m
268-0160.00-00000	16 mm	50 m	50 m
268-0180.00-00000	18 mm	25 m	25 m
268-0200.00-00000	20 mm	25 m	25 m
268-0220.00-00000	22 mm	25 m	25 m
268-0250.00-00000	25 mm	25 m	25 m
268-0300.00-00000	30 mm	20 m	20 m
268-0350.00-00000	35 mm	20 m	20 m





Advantages

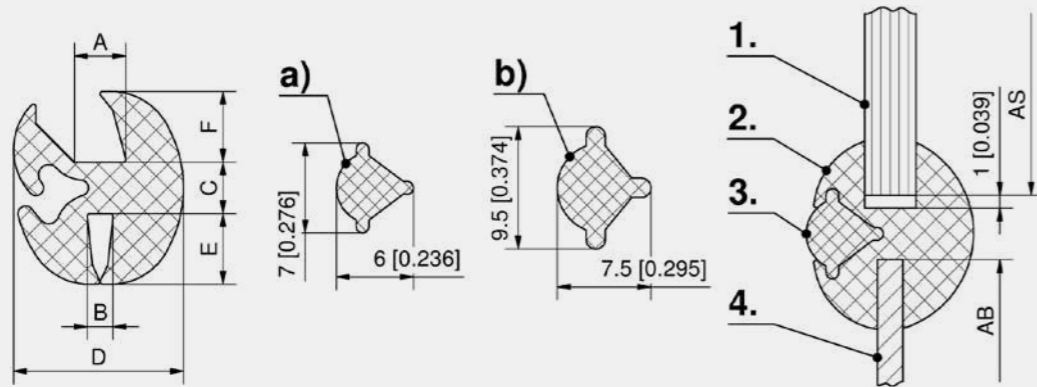
- Window seals are used to mount panes, windows, etc. in doors, casings and machine enclosures.
- Assembly only **with** filler. The pane is clamped in place with the help of the filler and held centered in the cutout.
- The window seals are made of EPDM with excellent weathering and ozone resistance properties.
- DIRAK's EPDM quality is neutral to paints.
- Tested according to UL 157 and UL 50 E.**

Materials

Window seals: EPDM, black

Remarks

- window
 - window seal
 - filler
 - sheet metal thickness
- Please dimension window with 1mm gap around edges.
AS = size of window
AB = size sheet metal
The bending radius refers to the inside of the glass holder.
Note Tolerances!



Window seals, EPDM

Part Number	A	B	C	D	e	f	Bending radius	Filler	Collar length	Delivery Unit
209-0501.00-00000	4 mm	2 mm	4 mm	13 mm	5.5 mm	5.5 mm	30	a)	20 m	20 m
209-0502.00-00000	4 mm	2.5 mm	7 mm	16 mm	7 mm	7 mm	70	b)	20 m	20 m
209-0503.00-00000	6 mm	2.5 mm	7 mm	18 mm	7 mm	7 mm	70	b)	20 m	20 m
209-0508.00-00000	3 mm	1 mm	4 mm	11.6 mm	4.5 mm	6 mm	35	a)	20 m	20 m
209-0509.00-00000	4 mm	1.5 mm	7 mm	16 mm	7 mm	7 mm	80	b)	20 m	20 m
209-0510.00-00000	4 mm	2 mm	7.3 mm	18 mm	11 mm	8.7 mm	100	b)	15 m	15 m
209-0511.00-00000	4.5 mm	5 mm	7 mm	16 mm	7 mm	7 mm	80	b)	20 m	20 m
209-0512.00-00000	5 mm	2 mm	7.5 mm	19 mm	12.5 mm	9.5 mm	100	b)	15 m	15 m
209-0513.00-00000	5 mm	3 mm	7 mm	19 mm	8 mm	8 mm	90	b)	20 m	20 m
209-0514.00-00000	5 mm	3 mm	7.5 mm	19 mm	12.5 mm	9.5 mm	100	b)	15 m	15 m
209-0515.00-00000	5 mm	5 mm	7 mm	18.4 mm	9 mm	8 mm	90	b)	20 m	20 m
209-0516.00-00000	5.5 mm	2 mm	7.3 mm	19 mm	11 mm	8.7 mm	100	b)	15 m	15 m
209-0517.00-00000	6 mm	1.5 mm	7.5 mm	19 mm	12.5 mm	9.5 mm	100	b)	15 m	15 m
209-0518.00-00000	6 mm	2.5 mm	7 mm	19 mm	8 mm	8 mm	90	b)	20 m	20 m
209-0519.00-00000	6 mm	3 mm	7.5 mm	19 mm	12.5 mm	9.5 mm	100	b)	15 m	15 m
209-0520.00-00000	6 mm	4 mm	7.5 mm	19 mm	12.5 mm	9.5 mm	100	b)	15 m	15 m
209-0521.00-00000	6 mm	6 mm	8.5 mm	19 mm	9.5 mm	9 mm	100	b)	15 m	15 m
209-0522.00-00000	8 mm	3 mm	7.5 mm	22 mm	12.5 mm	9.5 mm	120	b)	15 m	15 m
209-0523.00-00000	8 mm	4 mm	8.5 mm	25 mm	12.5 mm	10 mm	100	b)	15 m	15 m
209-0524.00-00000	10 mm	3 mm	7.5 mm	23 mm	12.5 mm	9.5 mm	120	b)	15 m	15 m
209-0525.00-00000	10 mm	6 mm	7.5 mm	24 mm	12.5 mm	9.5 mm	100	b)	15 m	15 m

Accessories	
+	684 209-1003.00-00000 Fitting tool for window seals, incl. eye 701-7068
	684 701-7066.00-00000 Eye for fitting tool, small

Specific accessories	
+	a) 209-0601.00-00000 Filler
	b) 209-0602.00-00000 Filler



Advantages

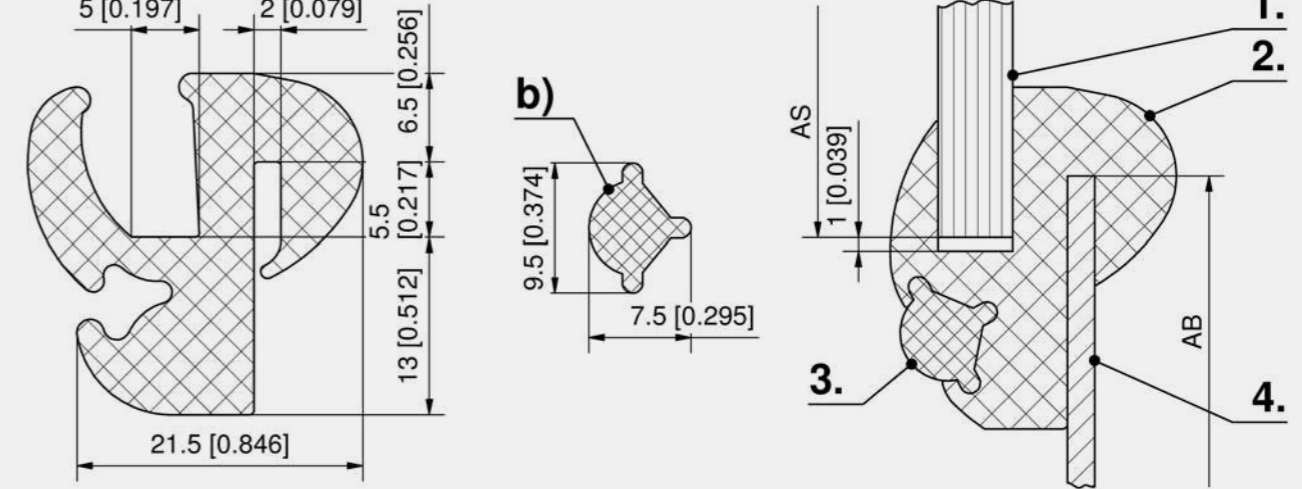
- Window seals are used to mount panes, windows, etc. in doors, casings and machine enclosures.
- Assembly only **with** filler. The pane is clamped in place with the help of the filler and held centered in the cutout.
- The window seal is made of EPDM with excellent weathering and ozone resistance properties.
- DIRAK's EPDM quality is neutral to paints.
- Tested according to UL 157 and UL 50 E.**

Materials

Window seals: EPDM, black

Remarks

- window
 - profile
 - filler
 - sheet metal thickness
- Please dimension window with 1mm gap around edges.
AS = size of window
AB = size sheet metal
The bending radius refers to the inside of the glass holder.
Note Tolerances!



Window seal, EPDM

Part Number	Width W	Height H	Bending radius	Collar length	Delivery Unit
209-0504.00-00000	21.5 mm	25 mm	100	15 m	15 m

Accessories	
+	684 209-1003.00-00000 Fitting tool for window seals, incl. eye 701-7068
	684 701-7066.00-00000 Eye for fitting tool, small
Specific accessories	
+	b) 209-0602.00-00000 Filler





Advantages

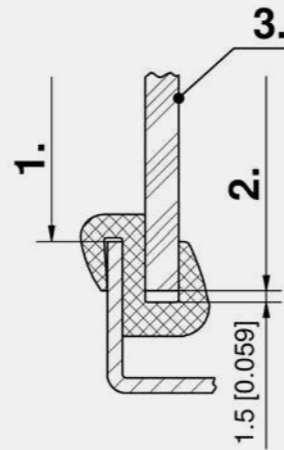
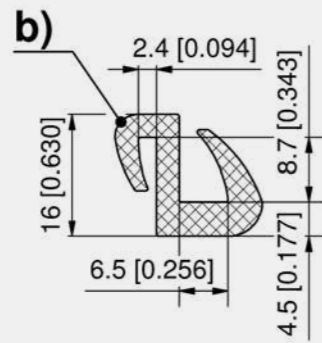
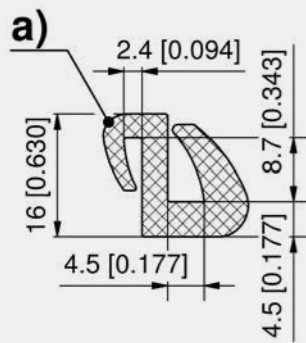
- Window seals are used to mount panes, windows, etc. in doors, casings and machine enclosures.
- They are made of EPDM / NBR. The pane is mounted by simply pressing it into the window seal.
- Additional tools are not required. The pane is inside or outside the enclosure and hence is well-suited for use under high pressure or vacuum conditions.
- EPDM seals are tested according to UL 157 and UL 50E.**

Materials

Rubber quality: EPDM or Perbunan (NBR), NBR is oil-resistant

Remarks

Please dimension window with 1,5 mm gap around edges.
All standard window seals are available from stock.
Note Tolerances!



Window seals

	Part Number	Height H	Sheet thickness	Glass thickness	Bending radius	Material	Collar length	Delivery Unit
a)	209-0401.00-00000	16 mm	2.4 mm	4.5 mm	min 80	EPDM	100 m	100 m
b)	209-0402.00-00000	16 mm	2.4 mm	6.5 mm	min 80	EPDM	20 m	100 m
a)	209-0406.00-00000	16 mm	2.4 mm	4.5 mm	min 80	NBR	50 m	100 m
b)	209-0407.00-00000	16 mm	2.4 mm	6.5 mm	min 80	NBR	50 m	100 m



Advantages

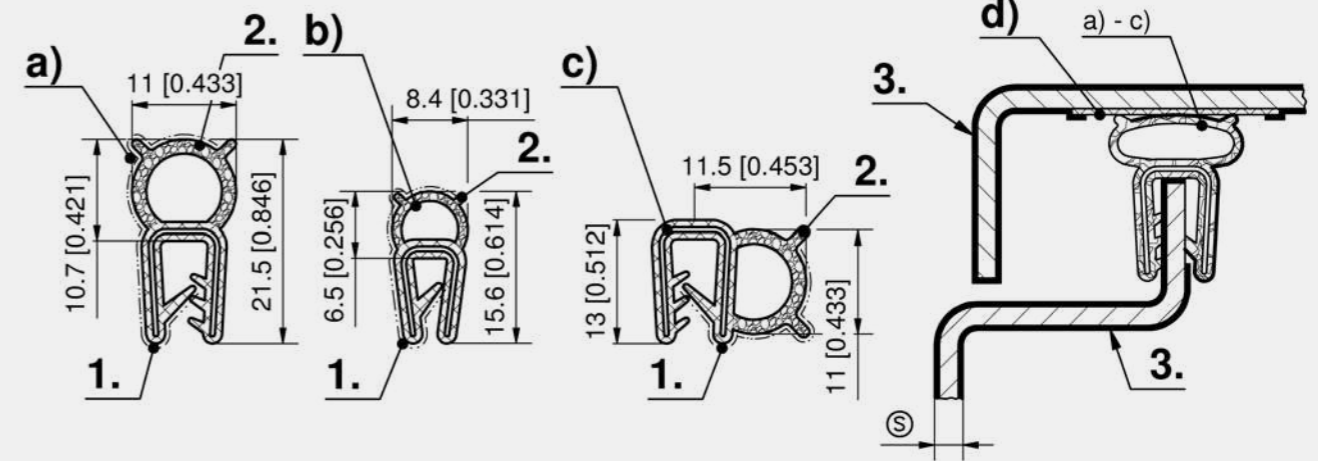
- The EMC/RFI shielding profiles are electromagnetically compatible profiles product system 5-150 and 5-151.
- These sealing profiles additionally have a form closed clotted Cu/Sn fleece.
- The proven properties are retained. Technical data see 5-150/5-151.
- Clip-on sealing profile.
- Version a), b) and c) tested according to UL 157 and UL 50E.**

Materials

- Carrier:** EPDM, black
- Fleece:** Cu/Sn coated

Remarks

- Cu/Sn coated fleece
 - outside lip (water- and dust sealing)
 - door/frame with lacquer
- Note Tolerances!
Data sheets available upon request.



EMC/RFI sealing profiles

	Part Number	Width W	Height H	Clamping range (S)	Collar length	Delivery Unit
a)	209-1301.00-L2006	11 mm	21.5 mm	1.0 - 3.0 mm	25 m	100 m
c)	209-1302.00-L2006	11.5 mm	13 mm	2.0 mm	25 m	100 m
b)	209-1305.00-00000	8.4 mm	15.6 mm	1.0 - 2.0 mm	25 m	100 m

Contact tape for EMC/RFI

	Part Number	Width W	Mask	Collar length	Delivery Unit
d)	209-1331.00-00012	12 mm	9 mm	99 m	99 m
d)	209-1331.00-00022	22 mm	19 mm	99 m	99 m
d)	209-1331.00-00025	25 mm	21 mm	99 m	99 m





Advantages

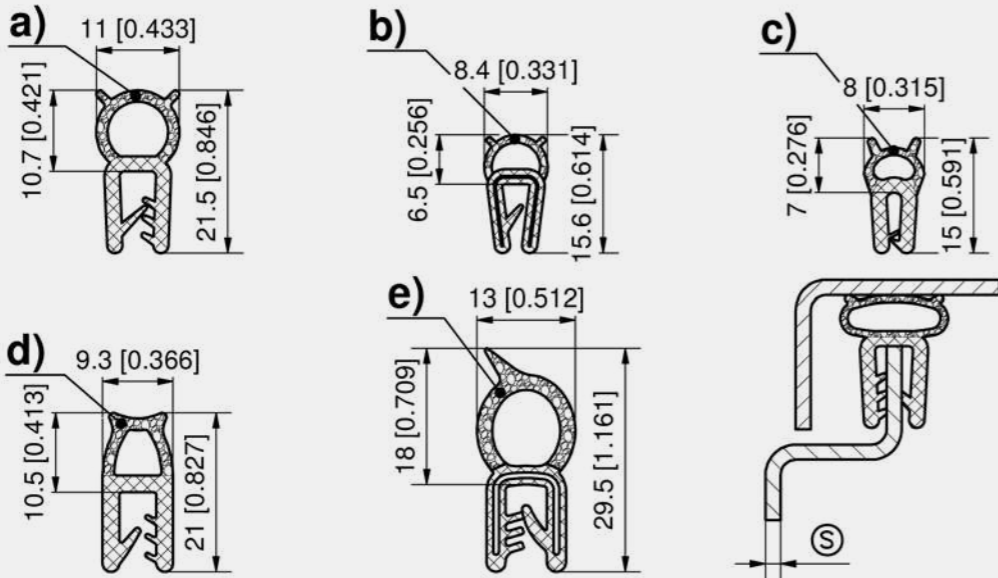
- The sealing part of these profiles is made of EPDM sponge rubber and the clamp area consists of soft rubber with a wire carrier.
- In an extrusion process the two materials are bonded to each other through vulcanization.
- EPDM profiles are tested according to UL 157 and UL 50E.
- The profiles made of NBR are oil resistant.

Materials

- **Clip-on profiles:** EPDM or NBR, black
- **Carrier:** Soft rubber
- **Sealing part:** Sponge rubber

Remarks

Note Tolerances!



Clip-on sealing profiles

	Part Number	Width W	Height H	Clamping range (S)	Material	Collar length	Delivery Unit
a)	209-0201.00-00000	11 mm	21.5 mm	1.5 - 3.0 mm	EPDM	50 m	50 m
a)	209-0201.1A-00000	11 mm	21.5 mm	0.8 - 2.0 mm	EPDM	50 m	50 m
a)	209-2201.00-00000	11 mm	21.5 mm	1.5 - 3.0 mm	NBR	50 m	50 m
a)	209-0240.00-00000	11 mm	21.5 mm	3.0 - 4.0 mm	EPDM	50 m	50 m
b)	209-0205.00-00000	8.4 mm	15.6 mm	1.0 - 2.0 mm	EPDM	50 m	50 m
b)	209-0246.00-00000	8.4 mm	15.6 mm	1.0 - 2.0 mm	NBR	50 m	50 m
c)	209-0205.1A-00000	8 mm	15 mm	0.8 - 1.5 mm	EPDM	50 m	50 m
d)	209-0211.00-00000	9.3 mm	21 mm	1.0 - 2.5 mm	EPDM	50 m	50 m
e)	209-0220.00-00000	13 mm	29.5 mm	1.0 - 2.5 mm	EPDM	50 m	50 m



Advantages

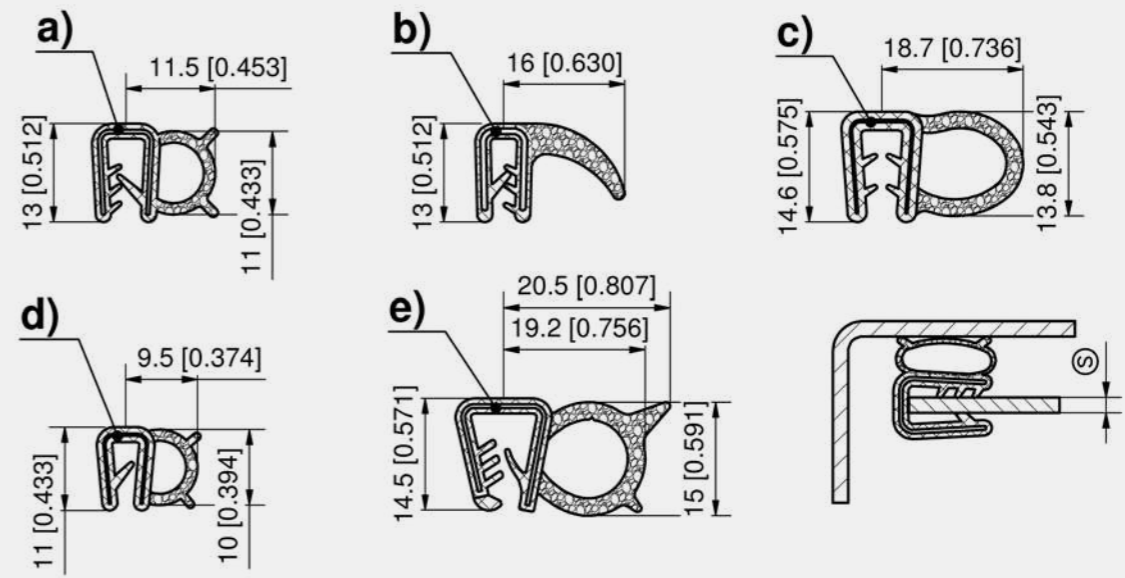
- The sealing part of these profiles is made of EPDM sponge rubber and the clamp area consists of soft rubber with a wire carrier.
- In an extrusion process the two materials are bonded to each other through vulcanization.
- EPDM profiles are tested according to UL 157 and UL 50 E.
- The profiles made of NBR are oil resistant.

Materials

- **Clip-on profiles:** EPDM or NBR, black
- **Carrier:** Soft rubber
- **Sealing part:** Sponge rubber

Remarks

Note Tolerances!



Clip-on sealing profiles

	Part Number	Width W	Height H	Clamping range (S)	Material	Collar length	Delivery Unit
a)	209-0202.00-00000	11.5 mm	13 mm	1.5 - 3.0 mm	EPDM	50 m	50 m
a)	209-0202.1A-00000	11.5 mm	13 mm	0.8 - 2.0 mm	EPDM	50 m	50 m
a)	209-2202.00-00000	11.5 mm	13 mm	1.5 - 3.0 mm	NBR	50 m	50 m
b)	209-0203.00-00000	16 mm	13 mm	1.5 - 3.0 mm	EPDM	50 m	50 m
c)	209-0204.00-00000	18.7 mm	14.6 mm	1.5 - 3.0 mm	EPDM	25 m	25 m
d)	209-0206.00-00000	9.5 mm	11 mm	1.0 - 2.0 mm	EPDM	50 m	50 m
d)	209-0206.1A-00000	9.5 mm	11 mm	0.8 - 1.5 mm	EPDM	50 m	50 m
e)	209-0228.00-00000	20.5 mm	15 mm	1.0 - 2.5 mm	EPDM	75 m	75 m
e)	209-0229.00-00000	20.5 mm	15 mm	2.0 - 4.0 mm	EPDM	75 m	75 m
e)	209-0230.00-00000	20.5 mm	15 mm	4.0 - 6.0 mm	EPDM	75 m	75 m

Accessories

685 5-171 Radius Adapter





Advantages

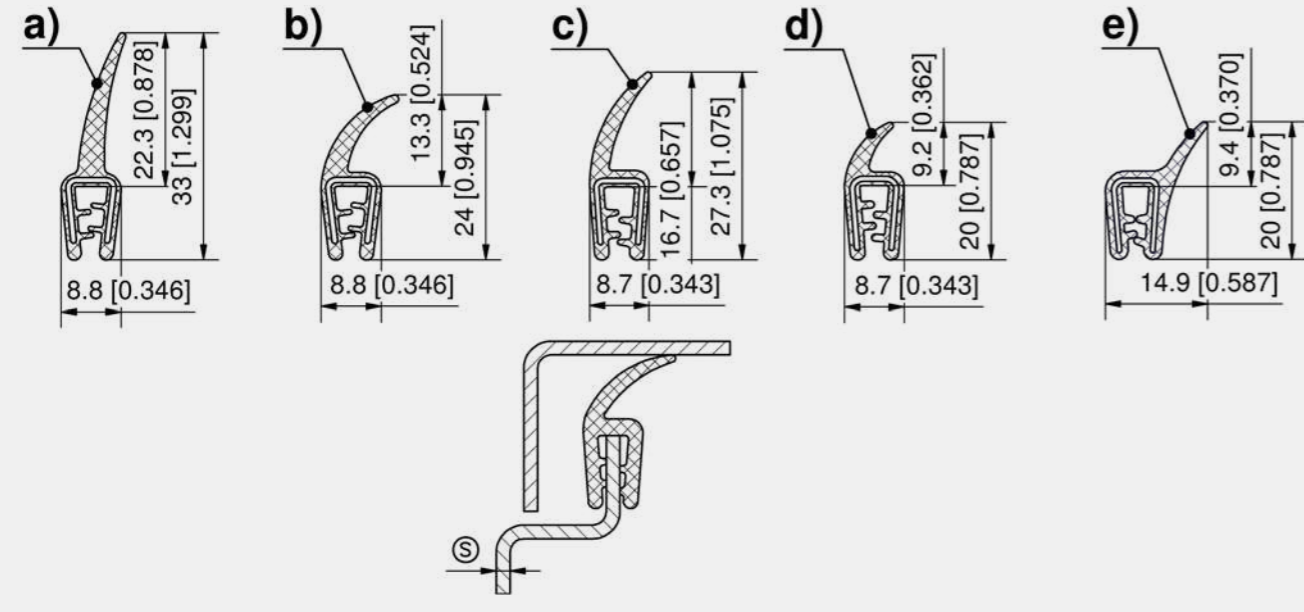
- These sealing profiles are made of EPDM. The sealing lip is made of soft rubber and the clamping area consists of soft rubber with a wire carrier.
- Tested according to UL 157 and UL 50E.

Materials

- Clip-on profile: EPDM soft rubber, black

Remarks

Note Tolerances!



Clip-on sealing profiles EPDM

	Part Number	Width W	Height H	Clamping range (S)	Collar length	Delivery Unit
a)	209-0219.00-00000	8.8 mm	33 mm	1.0 - 2.5 mm	50 m	50 m
b)	209-0221.00-00000	8.8 mm	24 mm	1.0 - 2.5 mm	50 m	50 m
c)	209-0237.00-00000	8.7 mm	27.3 mm	1.0 - 3.0 mm	50 m	50 m
d)	209-0239.00-00000	8.7 mm	20 mm	1.0 - 2.0 mm	50 m	50 m
e)	209-0275.00-00000	14.9 mm	20 mm	1.0 - 3.0 mm	50 m	50 m



Advantages

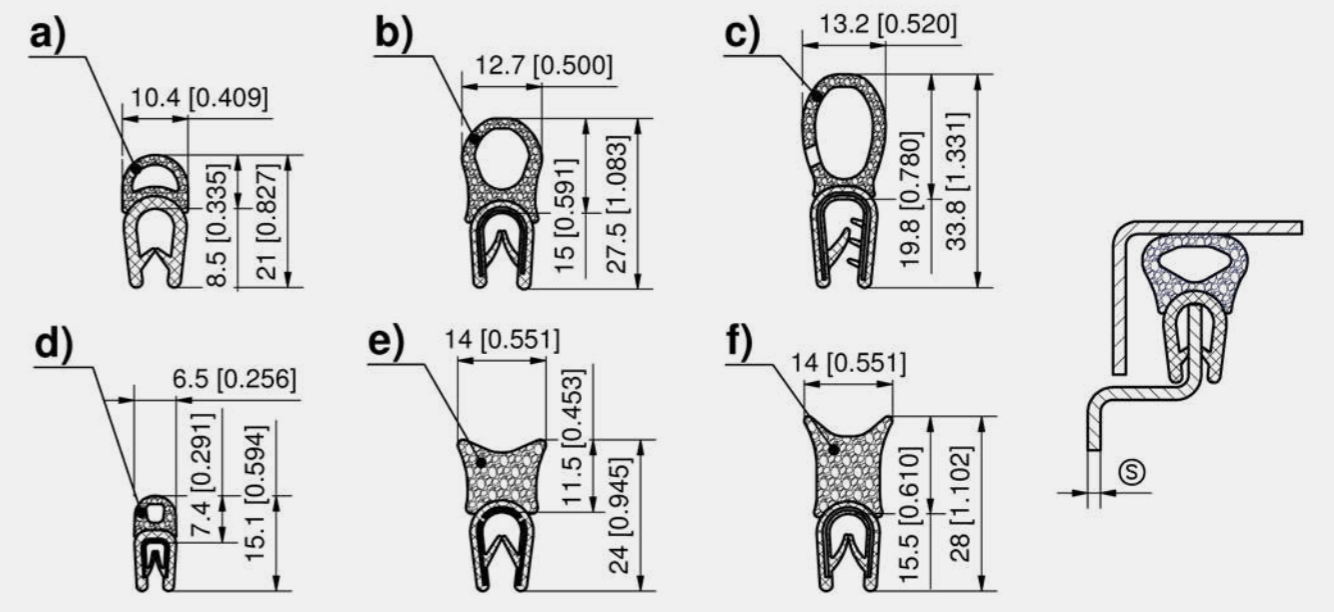
- Combination profiles consist of PVC with closed cell sponge rubber profiles.
- These sponge rubber profiles are made of high-quality synthetic rubber and are characterized by a high age resistance and great elasticity.
- EPDM profiles are tested according to UL 157 and UL 50 E.

Materials

- Sealing part: Sponge rubber, EPDM, black
- Carrier: PVC

Remarks

Sealing profiles as a combination between PVC edge trim and sponge rubber can have up to two glued joints.
Note Tolerances!



Clip-on sealing profiles

	Part Number	Width W	Height H	Clamping range (S)	Collar length	Delivery Unit
a)	209-0213.00-00000	10.4 mm	21 mm	1.0 - 4.0 mm	50 m	50 m
b)	209-0215.00-00000	12.7 mm	27.5 mm	1.0 - 4.0 mm	50 m	50 m
c)	209-0216.00-00000	13.2 mm	33.8 mm	2.0 - 4.0 mm	50 m	50 m
d)	209-0222.00-00000	6.5 mm	15.1 mm	1.0 - 2.0 mm	100 m	100 m
e)	209-0227.00-00000	14 mm	24 mm	1.0 - 4.0 mm	50 m	50 m
f)	209-0238.00-00000	14 mm	28 mm	1.0 - 4.0 mm	50 m	50 m





Advantages

- Combination profiles consist of PVC with closed cell sponge rubber profiles.
- These sponge rubber profiles are made of high-quality synthetic rubber and are characterized by a high age resistance and great elasticity.
- EPDM profiles are tested according to UL 157 and UL 50 E.

Materials

- **Sealing part:** Sponge rubber, EPDM, black
- **Carrier:** PVC

Remarks

Sealing profiles as a combination between PVC edge trim and sponge rubber can have up to two glued joints.
Note Tolerances!



Advantages

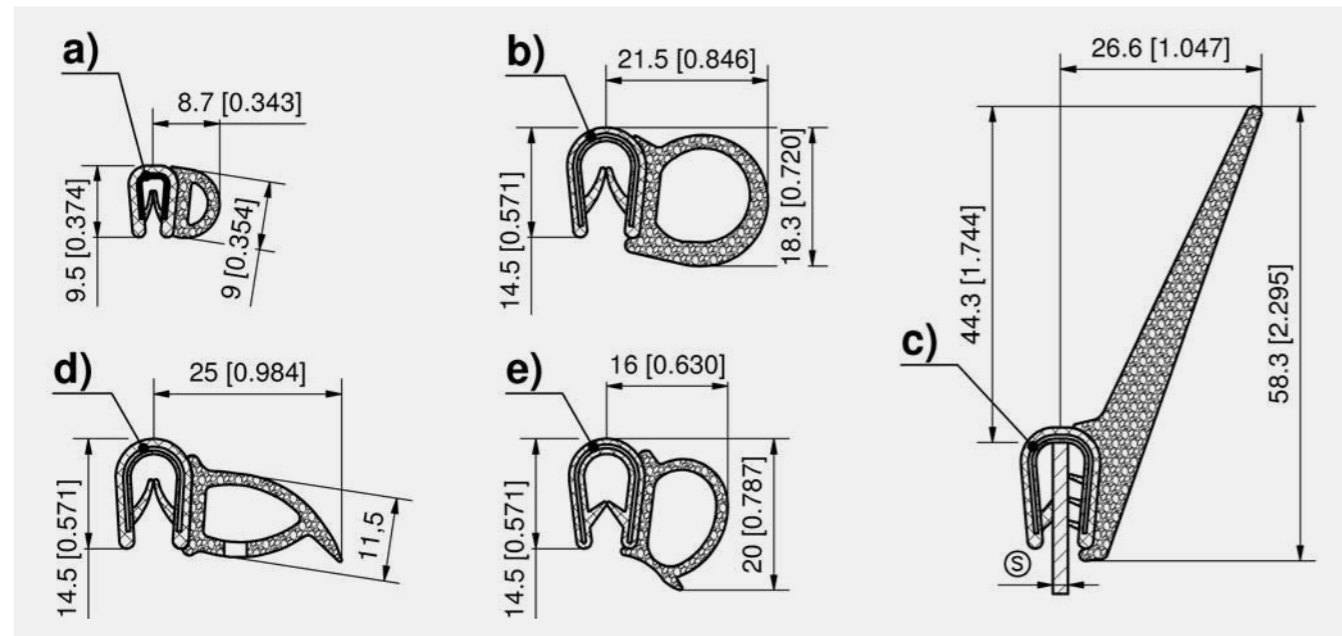
- Special sealing profiles made of EPDM for application according to the shown examples.
- Tested according to UL 157 and UL 50E.

Materials

- **Special profiles:** EPDM

Remarks

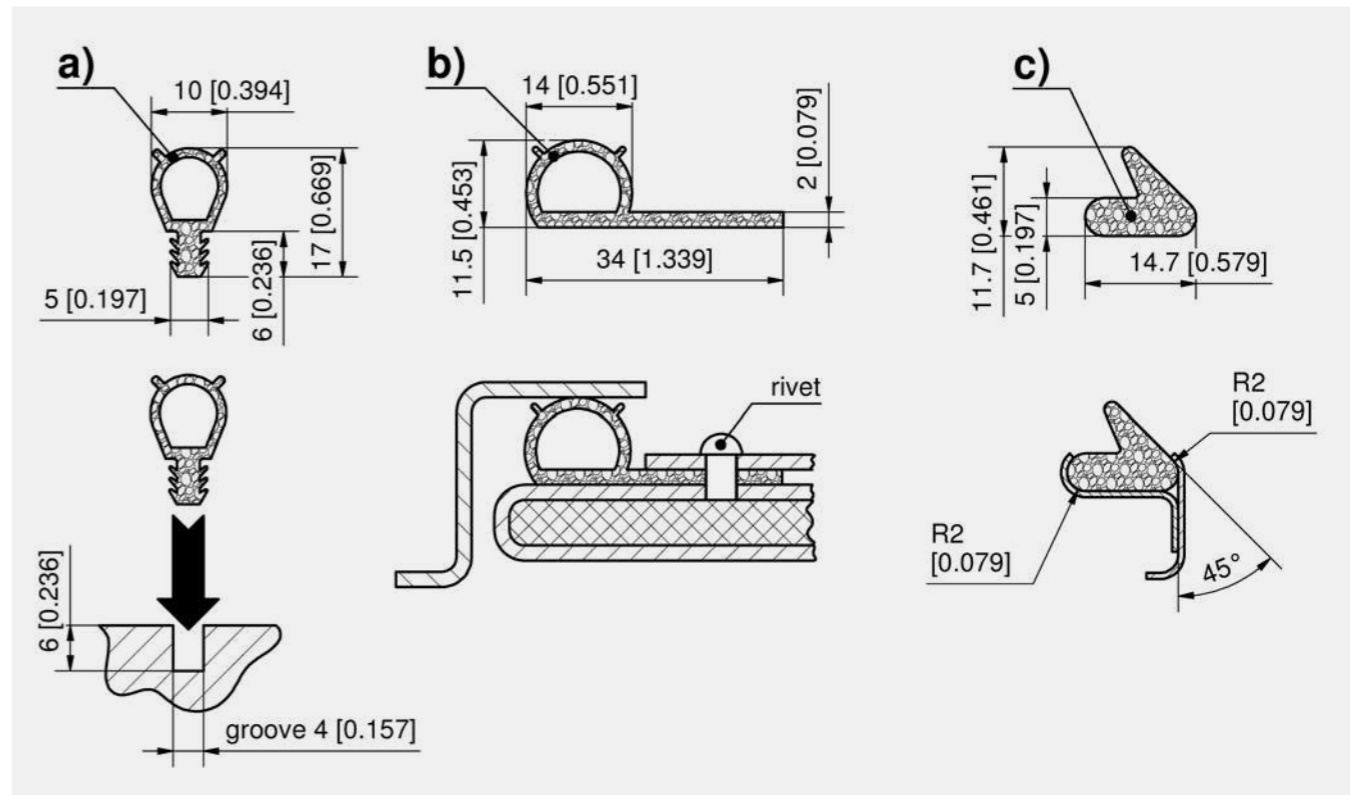
Note Tolerances!



Clip-on sealing profiles

	Part Number	Width W	Height H	Clamping range (S)	Collar length	Delivery Unit
a)	209-0212.00-00000	8.7 mm	9.5 mm	1.0 - 2.0 mm	100 m	100 m
b)	209-0214.00-00000	21.5 mm	18.3 mm	1.0 - 4.0 mm	50 m	50 m
c)	209-0217.00-00000	26.6 mm	58.3 mm	2.0 - 4.0 mm	25 m	25 m
d)	209-0218.00-00000	25 mm	14.5 mm	1.0 - 4.0 mm	50 m	50 m
e)	209-0226.00-00000	16 mm	20 mm	1.0 - 4.0 mm	50 m	50 m

Accessories	
+	685 5-171 Radius Adapter



Special profiles EPDM

	Part Number	Width W	Height H	Shore A	Collar length	Delivery Unit
a)	209-0704.00-00000	10 mm	17 mm		100 m	100 m
b)	209-1203.00-00000	34 mm	11.5 mm	55 °	50 m	50 m
c)	241-0903.00-00000	14.7 mm	11.7 mm	15 °	50 m	50 m





Advantages

- Conventional door profiles made of PVC for applications into seal channels.
- Several versions for different door bendings available.

Materials

- Sealing Profile:** PVC, black - soft
- Hardness: 57+/-5 Shore A

Remarks

Note Tolerances!
For higher requirements regarding sealing properties and easy fitting please see product system 5-100.



Advantages

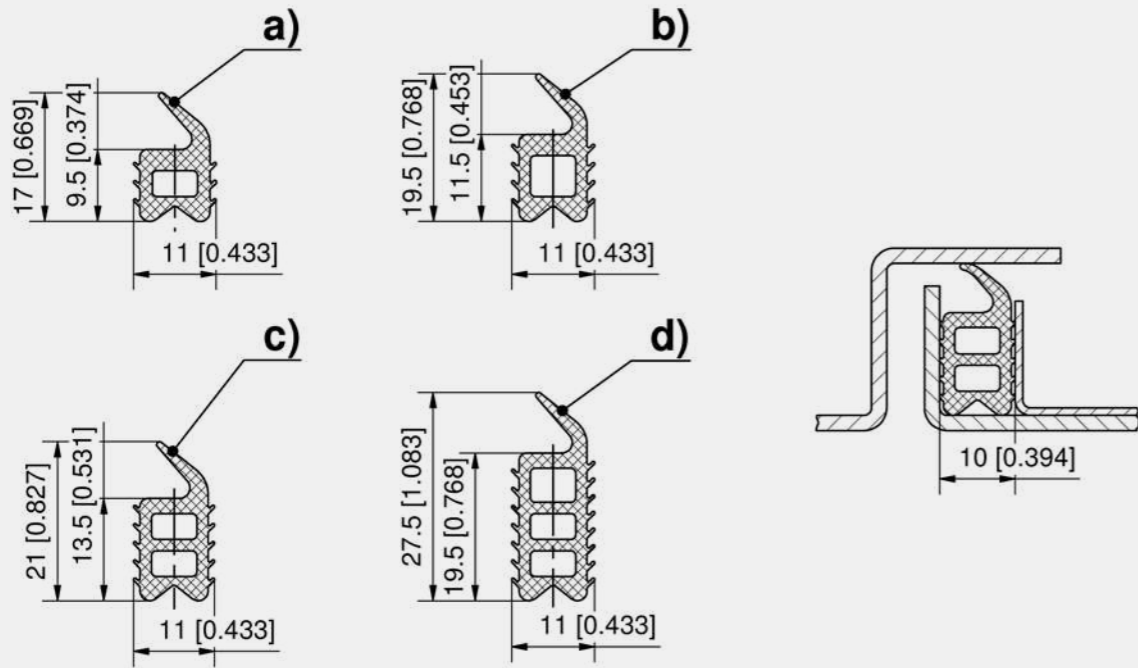
- Seal for double doors.
- Tested according to UL 157 and UL 50 E.

Materials

- Profile:** EPDM, black

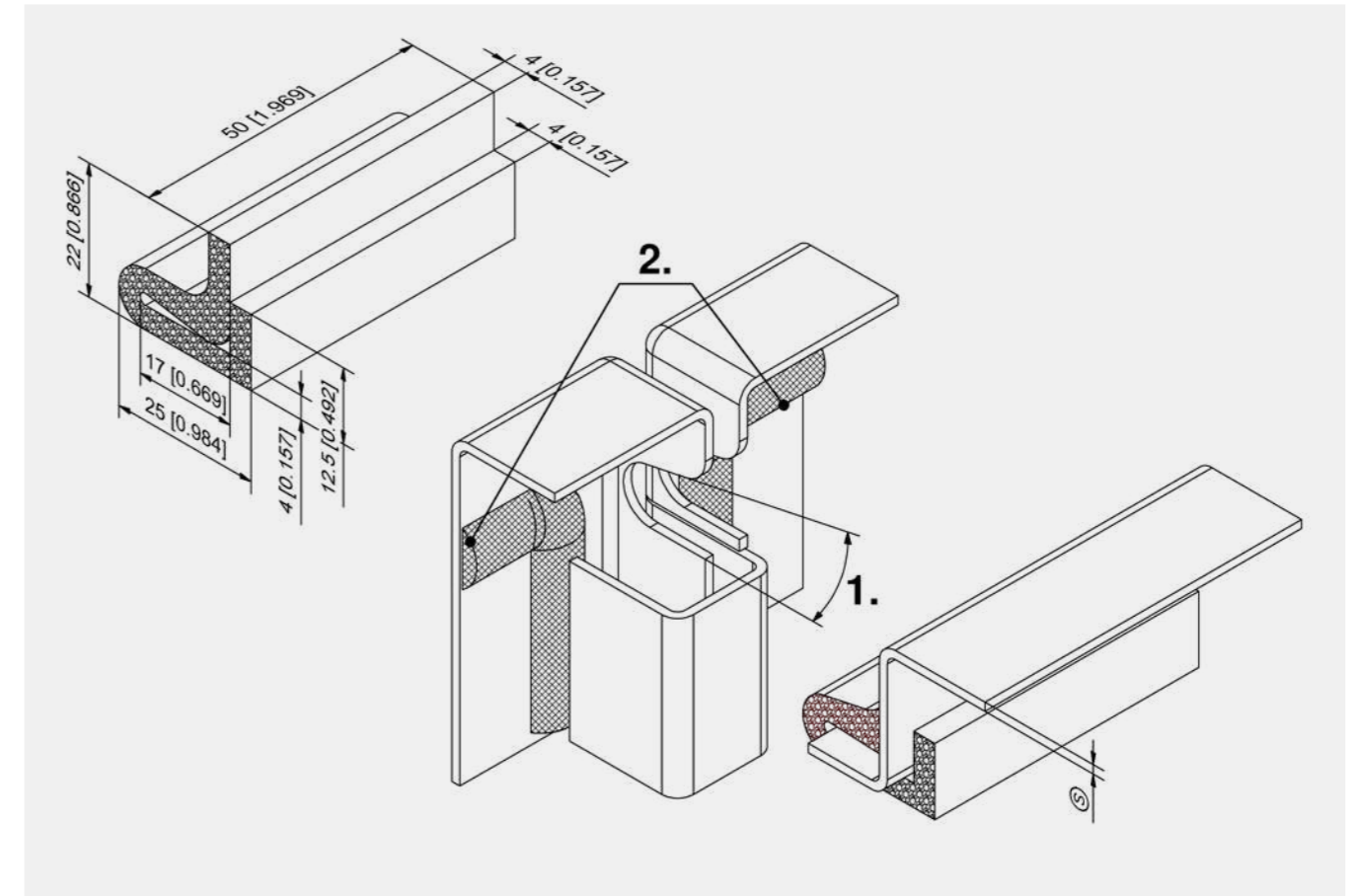
Remarks

(S) 1.2 - 2mm
1. angle depends on panel thickness. Standard ~30°
2. foamed sealing
Packaging unit: 10 pcs. of 50mm.
Note Tolerances!



Channel sealing profiles

	Part Number	Width W	Height H	Collar length	Delivery Unit
a)	209-0903.00-00000	11 mm	17 mm	20 m	20 m
b)	209-0902.00-00000	11 mm	19.5 mm	20 m	20 m
c)	209-0901.00-00000	11 mm	21.5 mm	20 m	20 m
d)	209-0904.00-00000	11 mm	27.5 mm	20 m	20 m



Profile for double doors

Part Number	Width W	Height H	Shore A	Delivery Unit
209-1204.00-00050	25 mm	22 mm	15 °	10 pcs.





Advantages

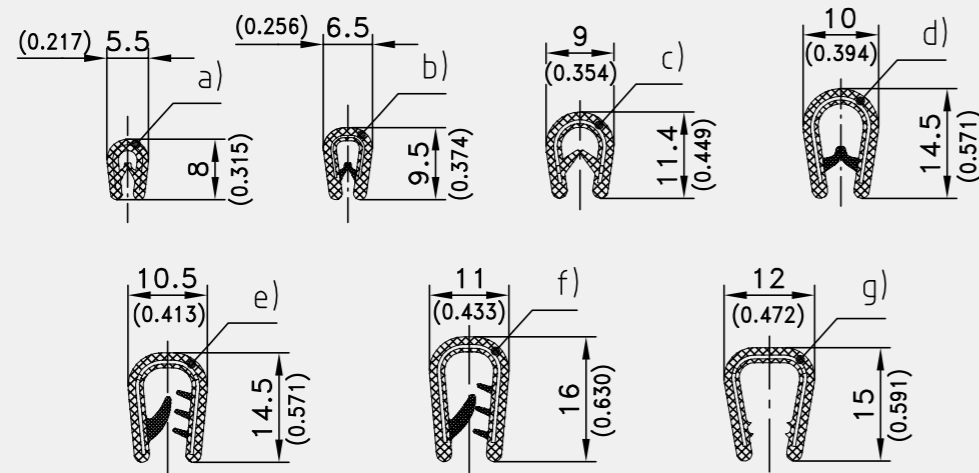
- Edge protections are used when steel edges have to be smooth.
- Additional metal machining work can be avoided and an decorative effect is achieved.
- The U-shaped steel clip-on tape with a PVC jacketing provide for firm seating on metal edges, even if there are radii or bends.
- The PVC coating is weather-proof as well as temperature resistant within approx. -40° to +70°C.

Materials

- **Edge protection:** PVC with steel spring core

Remarks

Note Tolerances!



Edge protections, PVC

	Part Number	Width W	Height H	Clamping range (S)	Colour	Collar length	Delivery Unit
a)	209-0801.00-00000	5.5 mm	8 mm	0.8 - 1.5 mm	black, smooth	50 m	50 m
b)	209-0802.00-00000	6.5 mm	9.5 mm	1.0 - 2.0 mm	black	50 m	50 m
b)	209-0805.00-00000	6.5 mm	9.5 mm	1.0 - 2.0 mm	white grey	100 m	100 m
b)	209-0807.00-00000	6.5 mm	9.5 mm	1.0 - 2.0 mm	silver	100 m	100 m
c)	209-0808.00-00000	9 mm	11.4 mm	1.0 - 2.0 mm	black	100 m	100 m
c)	209-0820.00-00000	9 mm	11.4 mm	2.0 - 4.0 mm	black	100 m	100 m
d)	209-0803.00-00000	10 mm	14.5 mm	1.0 - 4.0 mm	black	50 m	50 m
d)	209-0810.00-00000	10 mm	14.5 mm	1.0 - 4.0 mm	anthracite	100 m	100 m
d)	209-0811.00-00000	10 mm	14.5 mm	1.0 - 4.0 mm	light grey	100 m	100 m
d)	209-0812.00-00000	10 mm	14.5 mm	1.0 - 4.0 mm	white grey	100 m	100 m
e)	209-0813.00-00000	10.5 mm	14.5 mm	2.0 - 5.0 mm	black	100 m	100 m
f)	209-0814.00-00000	11 mm	16 mm	2.0 - 4.0 mm	black	100 m	100 m
f)	209-0816.00-00000	11 mm	16 mm	1.0 - 2.5 mm	black	100 m	100 m
f)	209-0817.00-00000	11 mm	16 mm	4.0 - 6.0 mm	black	100 m	100 m
g)	209-0818.00-00000	12 mm	15 mm	8.0 - 10.0 mm	black	100 m	100 m
g)	209-0815.00-00000	12 mm	15 mm	6.0 - 8.0 mm	black	100 m	100 m
g)	209-0819.00-00000	12 mm	15 mm	6.0 - 8.0 mm	light grey	100 m	100 m



Advantages

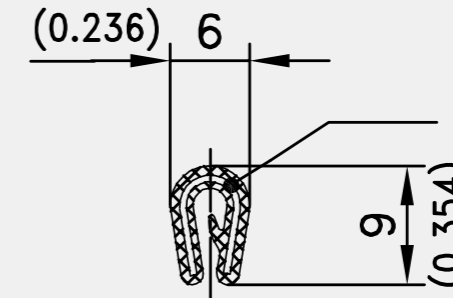
- Edge protections are used when steel edges have to be smooth.
- Additional metal machining work can be avoided and an decorative effect is achieved.
- The U-shaped steel clip-on tape with an EPDM jacketing provides for firm seating on metal edges, even if there are radii or bends.
- **Tested according to UL 157 and UL 50E.**

Materials

- **Edge protection:** EPDM, black with steel spring core

Remarks

Note Tolerances!



Edge protection, EPDM

Part Number	Width W	Height H	Clamping range (S)	Collar length	Delivery Unit
209-0824.00-00000	6 mm	9 mm	1.0 - 2.0 mm	100 m	100 m



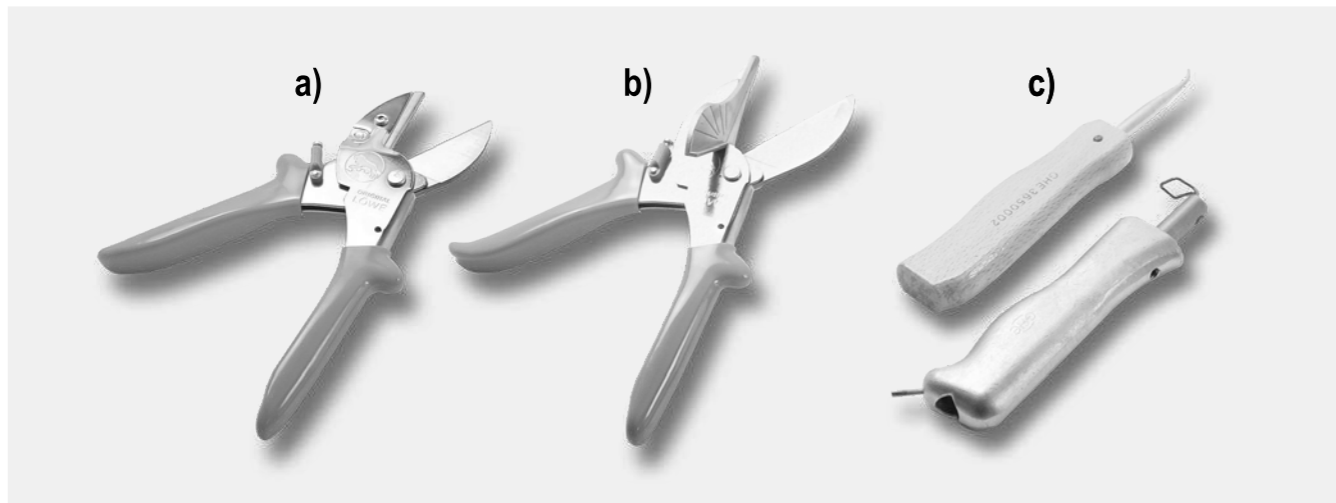


Advantages

- Pair of scissors for cutting sealing profiles into length.
- Scissors feature built in protractor.
- Glue for EPDM for joining the sealing profiles to rings.

Remarks

Fitting tool for window seals PS 5-130 / 5-131.



Accessories for profiles

	Part Number	Name	Eyelets width	Delivery Unit
a)	209-1001.00-00000	Pair of universal scissors		1 pc.
b)	209-1002.00-00000	Pair of mitring scissors		1 pc.
c)	209-1003.00-00000	Fitting tool for window seals, incl. eye 701-7068		1 pc.
	701-7066.00-00000	Eye for fitting tool, small	9.4 mm	1 pc.
	701-7067.00-00000	Eye for fitting tool, medium	10.6 mm	1 pc.
	701-7068.00-00000	Eye for fitting tool, large	14 mm	1 pc.
	209-7054.00-00000	Glue for EPDM, 50g		1 pc.



Advantages

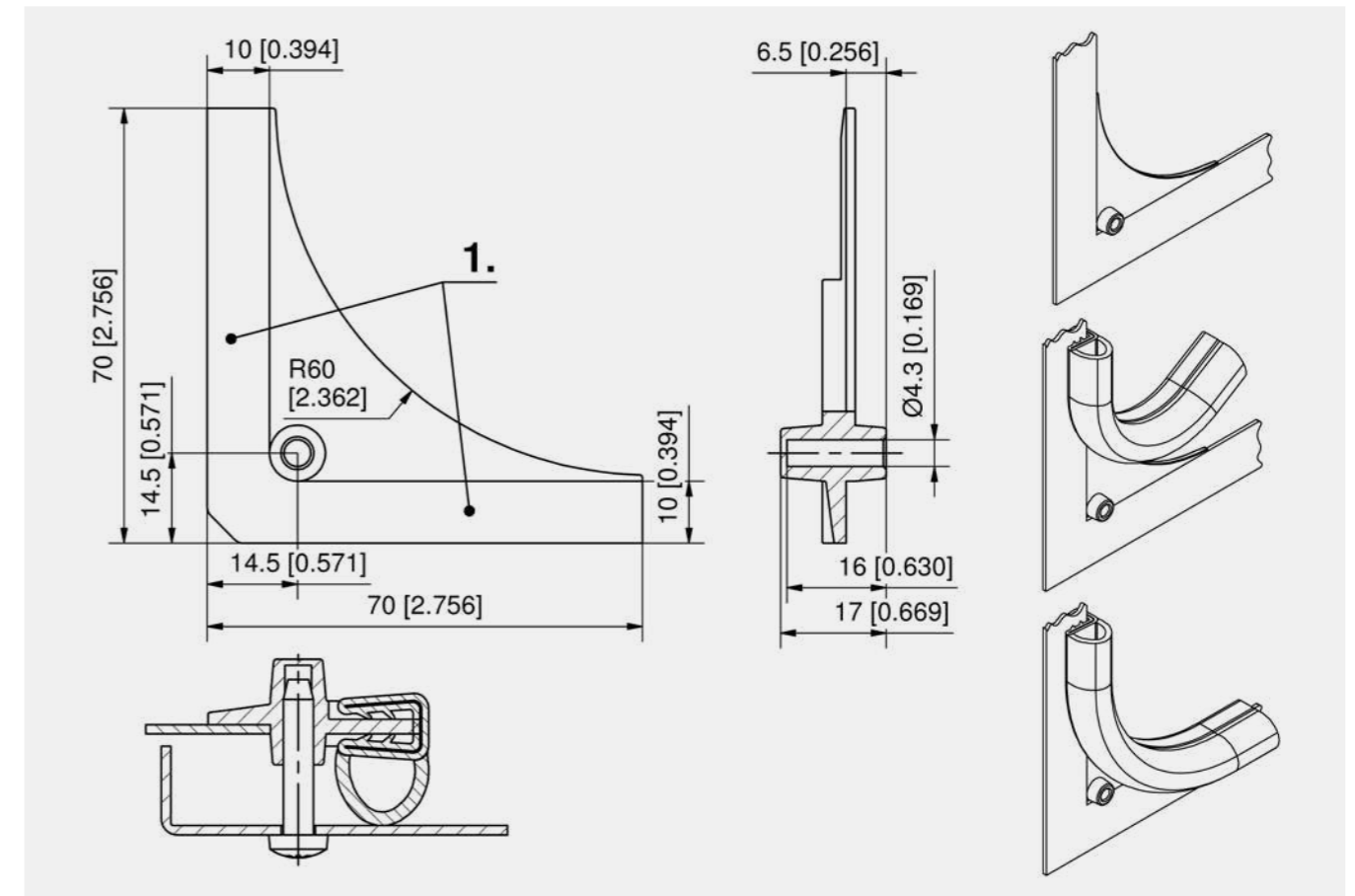
- Radius adapter simplifies installation for clip-on sealing profiles by creating a radius within 90° inside corners.
- The radius adapter is easily installed and kept in position at the flange of the housing by the clip-on U-part of the sealing profile.
- No welding and grinding of junction plates due to the corner radius.
- Just put the radius adapter into the corner (after the painting process) and fix with the U-shape carrier of the sealing profile.
- Housing covers can be screwed to the frame at low cost using the integrated device for a selftapping screw.

Materials

■ **Radius adapter:** PA6 30GF, black

Remarks

1. installation surface



Accessories for profiles

Part Number	Type	Delivery Unit
209-4204.52-00000	Radius adapter for clip-on profiles	4 pcs.



RoHS
WEEE

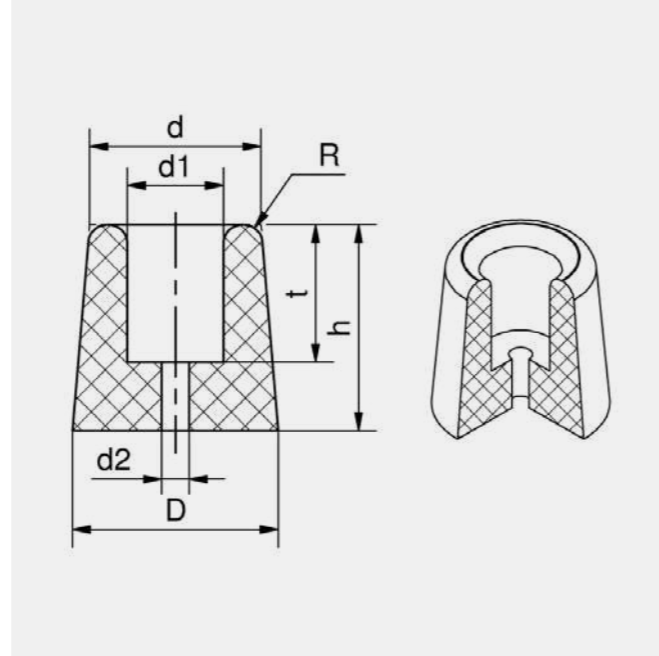


Advantages

- Universal in use and made of rubber, they offer long service lives and an economical answer to many needs.
- Protection against damage to other components when opening and closing hinged hatch covers or doors.
- Used as rubber feet, they absorb vibration, too.
- Vigorous movements are damped.
- Scratches on the floor are prevented.

Materials

- **Rubber Bumpers:** EPDM 30% / NR 70%, black, Shore A 70-80°



Rubber bumpers

Part Number	h	D	d	d1	d2	t	R	Delivery Unit
209-3001.00-00000	12 mm	20 mm	18 mm	10 mm	4 mm	7 mm	2 mm	10 pcs.
209-3002.00-00000	30 mm	30 mm	25 mm	14 mm	4 mm	20 mm	2.75 mm	10 pcs.
209-3003.00-00000	22.5 mm	20 mm	19 mm	10 mm	4 mm	8 mm	2 mm	10 pcs.
209-3004.00-00000	32 mm	40 mm	38 mm	13 mm	6 mm	12 mm	6 mm	10 pcs.

Mushroom Type Bumpers EPDM / NR

RoHS
WEEE

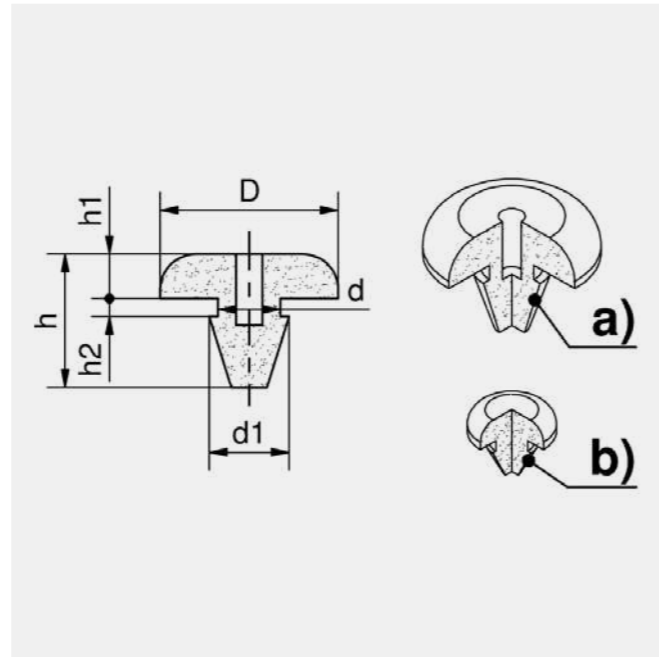


Advantages

- Universal in use and made of rubber.
- Long service lives and an economical answer to many needs.
- Protection against damage to other components when opening and closing hinged hatch covers or doors.
- Used as rubber feet, they absorb vibration, too.
- Vigorous movements are damped.
- Scratches on the floor are prevented.

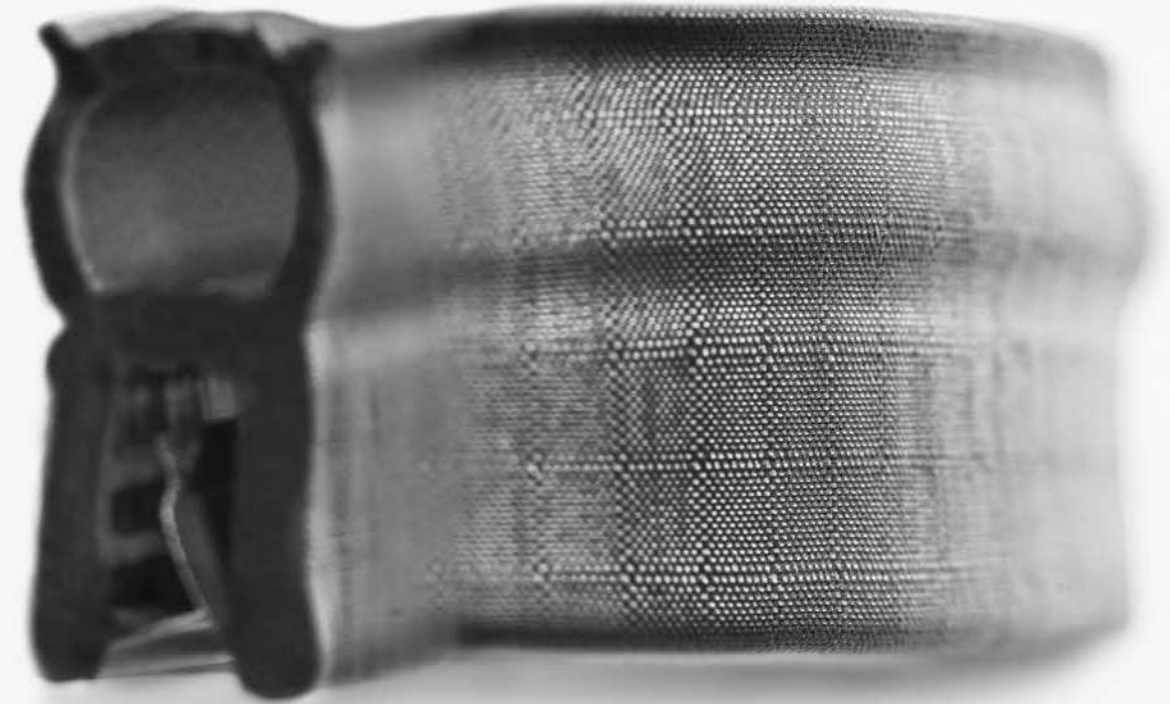
Materials

- **Mushroom type bumpers:** EPDM 30% / NR 70%, black, Shore A 60°



Mushroom type bumpers

	Part Number	D	d	d1	h	h1	h2	Delivery Unit
a)	209-3101.00-00000	20 mm	7 mm	9 mm	15 mm	5 mm	2 mm	10 pcs.
b)	209-3102.00-00000	10 mm	5 mm	6 mm	8.5 mm	3 mm	1.5 mm	10 pcs.



Clip-on EMC/RFI Sealing Profiles

See page 673

