

THE PÖPPELMANN EFFECT:

# Always the right protective solution.

METALIKA KACIN

Slovenia

(+386) 041 694 339

info@metalika-kacin.com

Croatia

(+385) 091 58 70 744

hrvatska@metalika-kacin.com

Serbia

(+381) 011 25 21 756

srbija@metalika-kacin.com

We do it.  
**Better.**



PÖPPELMANN

[www.metalika-kacin.com](http://www.metalika-kacin.com)

KAPSTO®

# Standard range

## Caps for external protection

[www.metalika-kacin.com](http://www.metalika-kacin.com)

### Protective Caps



Protective Caps  
GPN 200 Type A  
Page 9



Protective Caps  
GPN 200 Type B  
Page 11



Flexible Protective  
Caps GPN 201  
Page 12



Protective Caps  
GPN 205  
Page 14



Protective Caps  
GPN 207  
Page 15



Protective Caps  
GPN 240  
Page 16



SAE sealing caps  
GPN 241  
Page 17



Protective Caps for  
Pipes GPN 250  
Page 18



Protective Caps  
GPN 255  
Page 20



End Caps  
GPN 280  
Page 21



Shaft Protection  
GPN 290  
Page 22



Closures  
GPN 350  
Page 23



Flexible Closures  
GPN 351  
Page 25



HDSCS Protection  
GPN 365  
Page 27



Tapered Closures  
GPN 600  
Page 28



Universal Protection  
GPN 610  
Page 31



Universal Protection  
GPN 620  
Page 33



Protective Covers  
GPN 695  
Page 34



Protective Caps  
with tab GPN 696  
Page 35



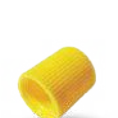
Closures  
GPN 900  
Page 36



Protective Dust Caps  
GPN 920 Type B  
Page 37



Protective Plugs  
GPN 950  
Page 38



Grease Nipple Caps  
GPN 980 Type A  
Page 39



Grease Nipple Caps  
GPN 980 Type B  
Page 39



Grease Nipple Caps  
GPN 985 Type A  
Page 40



Grease Nipple Caps  
GPN 985 Type B  
Page 40



Hexagonal Caps  
GPN 1000  
Page 41



Snap-on Caps  
GPN 1010  
Page 42



Hexagonal Caps  
GPN 1050  
Page 43

### Grip Caps



Grip Caps  
GPN 210  
Page 45



Flexible Grip Caps  
GPN 211  
Page 46



Grip Caps  
GPN 212  
Page 47



Grip Caps  
GPN 215  
Page 48



Grip Caps  
GPN 220  
Page 49



Tapered Closure with  
Side Tab GPN 608  
Page 50



Fast-fit Caps  
GPN 940  
Page 51

### Screw Caps



Screw Caps  
GPN 800  
Page 53



Screw caps  
GPN 801  
Page 55



Screw caps with  
Sealing Disc GPN 802  
Page 56



Screw Caps with  
Sealing Ring GPN 804  
Page 58



Protective Dust Caps  
GPN 930 Type B  
Page 59

# Standard range

## Plugs for internal protection

### Protective Plugs

 QC-Plugs GPN 245 Type A <b>Page 61</b>	 QC-Plugs GPN 245 Type B <b>Page 61</b>	 Square Plugs GPN 260 <b>Page 62</b>	 Rectangular Plugs GPN 270 <b>Page 63</b>	 Closure Plugs GPN 300 F <b>Page 65</b>	 Closure Plugs GPN 300 V <b>Page 67</b>
 Finned Plugs GPN 320 <b>Page 69</b>	 Covers GPN 340 <b>Page 70</b>	 Closures GPN 350 <b>Page 71</b>	 Tapered Plugs GPN 500 <b>Page 73</b>	 Screw-in Plugs GPN 550 <b>Page 74</b>	 Screw-in Plugs GPN 551 <b>Page 75</b>
 Tapered Closures GPN 600 <b>Page 76</b>	 Thin Walled Tapered Closures GPN 601 <b>Page 80</b>	 Thin Walled Tapered Closures GPN 602 <b>Page 81</b>	 Tapered Plugs GPN 605 <b>Page 82</b>	 Pull Plugs GPN 606 <b>Page 83</b>	 Universal Protection GPN 610 <b>Page 84</b>
 Universal Protection GPN 620 <b>Page 86</b>	 Closures GPN 900 <b>Page 87</b>	 Covers GPN 910 <b>Page 88</b>	 Sealing Plugs GPN 915 <b>Page 89</b>	 Protective Dust Plugs GPN 920 Type A <b>Page 90</b>	 Protective Plugs GPN 950 <b>Page 91</b>

### Grip Plugs

 Grip Plugs GPN 305 <b>Page 93</b>	 Grip Plugs GPN 308 <b>Page 94</b>	 Grip Plugs GPN 310 <b>Page 95</b>	 Grip Plugs GPN 315 <b>Page 64</b>	 Grip Plugs GPN 330 <b>Page 97</b>	 Grip Closures GPN 335 <b>Page 98</b>
 Contact Protection GPN 360 Type A <b>Page 99</b>	 Contact Protection GPN 360 Type B <b>Page 99</b>	 Grip Plugs GPN 607 <b>Page 100</b>	 Tapered Closure with Side Tab GPN 608 <b>Page 101</b>	 Universal Protection with Ring Lug GPN 615 <b>Page 102</b>	 Grip Plugs GPN 630 <b>Page 103</b>

[www.metalika-kacin.com](http://www.metalika-kacin.com)

### Screw Plugs

 Screw Plugs GPN 700 <b>Page 105</b>	 Screw Plugs GPN 703 <b>Page 106</b>	 Screw Plugs GPN 710 <b>Page 107</b>	 Screw Plugs GPN 720 Type A <b>Page 108</b>	 Screw Plugs GPN 720 Type B <b>Page 108</b>	 Assembly tool KAPSTO® BIT-73X <b>Page 109</b>
 Sealing Screw Plugs GPN 730 <b>Page 110</b>	 Sealing Screw Plugs GPN 735 <b>Page 111</b>	 Sealing Screw Plugs GPN 736 <b>Page 112</b>	 Sealing Screw Plugs with O-Ring GPN 737 <b>Page 113</b>	 Sealing Screw Plugs with O-Ring GPN 738 <b>Page 114</b>	 Protective Dust Plugs GPN 930 Type A <b>Page 115</b>

### Flange Covers

 Flange Covers GPN 640 <b>Page 117</b>	 Flange Covers GPN 650 Type A/B <b>Page 118/119</b>	 Flange Covers GPN 655 <b>Page 120</b>	 Flange Covers GPN 670 <b>Page 121</b>	 Flange Covers GPN 680 <b>Page 122</b>	 Protective Caps GPN 690 <b>Page 123</b>
---	--	---	---	---	---

## Special range

### Even larger choice

Approx. 2,000 other designs that we can make quickly and cost-effectively using available moulds.

Further information from [page 126](#).



### You haven't found the right protective solution?

Custom-made products are often cheaper than you think.

Further information from [page 128](#).

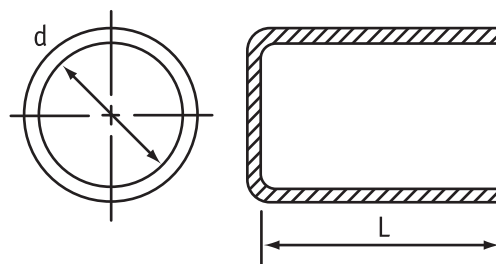
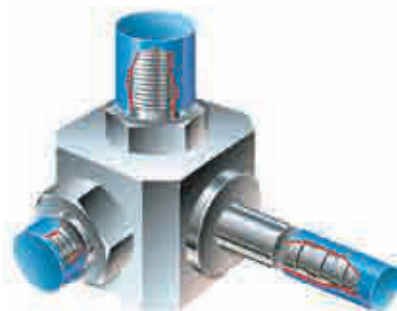


PROTECTIVE CAPS

# NON-THREADED END CAPS

SR 1062  
Blue LDPE

- Available in a wide range of sizes
- Ideal for protecting threaded or non-threaded tubing, pipes and rods



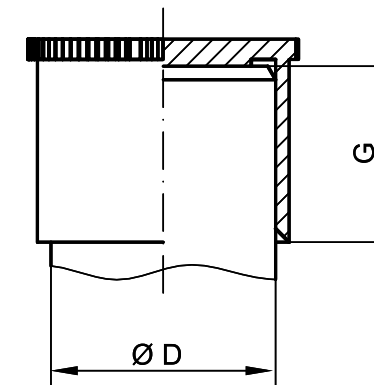
Part Number	Dimensions				Standard Pack Quantity
	d		L		
	(ins)	(mm)	(ins)	(mm)	
A3/32W/RA	3/32"	2.4	19/32"	15.9	5000
A1/8W/RA	1/8"	3.2	19/32"	15.9	5000
110549	3/32"	3.9	3/8"	15.8	45000
110550	3/32"	4.7	3/8"	15.8	35000
110551	1/4"	6.3	7/8"	22.2	5000
L1/4A	1/4"	6.4	1 1/4"	44.5	7500
AS9/32A	9/32"	7.1	1/2"	12.7	6500
A9/32A	9/32"	7.1	7/8"	22.2	6500
ACS/16W/RA	3/16"	7.5	7/8"	22.2	6000
110552	3/16"	7.9	7/8"	22.2	10000
L5/16A	5/16"	8.0	1 3/4"	44.5	4500
110553	3/8"	9.5	7/8"	22.2	8500
L3/8A	3/8"	9.5	1 3/4"	44.5	3800
AS7/16A	7/16"	11.1	1/2"	12.7	6000
110554	7/16"	11.1	7/8"	22.2	7000
A1/2BA	1/2"	11.9	7/8"	22.2	5000
AS1/2A	1/2"	12.7	1/2"	12.7	5000
110555	1/2"	12.7	7/8"	22.2	5000
110556	9/16"	14.2	7/8"	22.2	4000
AS9/16A	9/16"	14.3	9/16"	14.3	6500
A9/16A	9/16"	14.3	7/8"	22.2	4000
110557	5/8"	15.8	7/8"	22.2	3500
AS5/8A	5/8"	15.9	3/4"	9.5	4250
110558	11/16"	17.4	7/8"	22.2	3000
AS11/16W/RA	11/16"	17.5	3/4"	19.5	4000
A23/32A	23/32"	18.3	-	33.3	1700
K505A	23/32"	18.3	1 1/2"	38.1	2800
110559	3/4"	19.0	7/8"	22.2	5000
AS3/4A	3/4"	19.1	3/8"	9.5	6000
110560	13/16"	20.6	7/8"	22.2	4500
AS13/16W/RA	13/16"	20.7	19/32"	12.7	6000
AS7/8W/RA	7/8"	22.2	1/2"	12.7	3500
110561	7/8"	22.2	7/8"	22.2	4000
L7/8A	7/8"	22.2	1 3/4"	44.5	2000
110562	15/16"	23.8	13/16"	20.6	3500

Part Number	Dimensions				Standard Pack Quantity
	d		L		
	(ins)	(mm)	(ins)	(mm)	
A63/64A	59/64"	24.9	19/16"	33.3	2000
110563	1"	25.4	3/4"	19.0	3500
AL1A	1"	25.4	1"	25.4	2500
L1B	1"	25.4	1 3/4"	44.5	1400
110564	1 1/16"	26.9	7/8"	22.2	3000
110565	1 1/8"	28.5	7/8"	22.2	2500
110566	1 3/16"	30.1	1"	25.4	2000
110567	1 1/4"	31.7	7/8"	22.2	2000
AS1-1/4A	1 1/4"	31.8	19/32"	15.9	3000
110568	1 5/16"	33.3	7/8"	22.2	2000
110569	1 3/8"	34.9	7/8"	22.2	1800
110570	1 7/16"	36.5	7/8"	22.2	1600
110571	1 1/2"	38.1	7/8"	22.2	1500
110572	1 9/16"	39.6	1"	25.4	1200
110573	1 5/8"	41.2	1"	25.4	1900
110574	1 11/16"	42.8	7/8"	22.2	1200
110575	1 3/4"	44.4	7/8"	22.2	1200
110576	1 7/8"	47.6	7/8"	22.2	1000
110577	2"	50.8	7/8"	22.2	1000
A2-1/8A	2 1/8"	54.0	7/8"	22.2	900
A2-1/4A	2 1/4"	57.1	1 1/4"	31.7	450
A2-3/8A	2 3/8"	60.3	7/8"	22.2	700
110578	2 1/2"	63.5	7/8"	22.2	600
AS2-9/16A	2 9/16"	65.1	3/8"	9.5	1200
A2-19/32W/RA	2 19/32"	65.4	1"	25.4	500
A2-5/8A	2 5/8"	66.4	1"	25.4	425
A2-3/4A	2 3/4"	69.2	27.7	27.7	450
A3A	3"	75.7	1"	25.4	400
A3-1/8A	3 1/8"	79.4	1 3/8"	34.9	250
A3-1/4A	3 1/4"	82.6	1 7/8"	47.6	150
A3-1/2A	3 1/2"	88.9	1"	25.4	300
A3-3/4A	3 3/4"	95.0	1"	25.4	225
A4A	4"	101.3	1"	25.4	200
A4-1/8A	4 1/8"	104.5	1"	25.4	200

PROTECTIVE CAPS

# GPN 200 Type A

MK Slovenia (+386) 04 510 53 60  
MK Croatia (+385) 051 213 060  
MK Serbia (+381) 011 25 21 756



Standard colour: Natural  
Material: PE-LD



**Cleaner.**  
Upon request, we can manufacture in the specially designed cleanroom in accordance with VDA Volume 19 and ISO 16232. For further information, please refer to page 129.



**Better.**  
Cylindrical caps with easy-to-grip knurled collar for protection of threaded studs, pipe ends and shafts.

item	diameter D	G	Order no.
GPN 200 Z 5 × 13	5	13	200 0513 0000
GPN 200 Z 5 × 20	5	20	200 0520 0000
GPN 200 Z 6 × 10	6	10	200 0610 0000
GPN 200 Z 6 × 16	6	16	200 0616 0000
GPN 200 Z 6 × 31	6	31	200 0631 0000
GPN 200 Z 7 × 16	7	15.5	200 0716 0000
GPN 200 Z 8 × 10	8	10	200 0810 0000
GPN 200 Z 8 × 16	8	16	200 0816 0000
GPN 200 Z 8 × 30	8	30	200 0830 0000
GPN 200 Z 9 × 12	9	11.5	200 0912 0000
GPN 200 Z 9 × 16	9	16	200 0916 0000
GPN 200 Z 10 × 6	10	6	200 1060 0000
GPN 200 Z 10 × 10	10	10	200 1010 0000
GPN 200 Z 10 × 22	10	22	200 1022 0000
GPN 200 Z 10 × 28	10	28	200 1028 0000
GPN 200 Z 10 × 33	10	33	200 1033 0000
GPN 200 Z 12 × 10	12	10	200 1210 0000
GPN 200 Z 12 × 16	12	16	200 1216 0000
GPN 200 Z 12 × 35	12	35	200 1235 0000
GPN 200 Z 12.5 × 20	12.5	20	200 1252 0000
GPN 200 Z 14 × 8	14	8	200 1480 0000
GPN 200 Z 14 × 10	14	10	200 1410 0000
GPN 200 Z 14 × 15	14	15	200 1415 0000
GPN 200 Z 14 × 20	14	20	200 1420 0000
GPN 200 Z 14 × 38	14	38	200 1438 0000
GPN 200 Z 14.5 × 15	14.5	15	200 1451 0000

Size in mm

» Continued on page 10

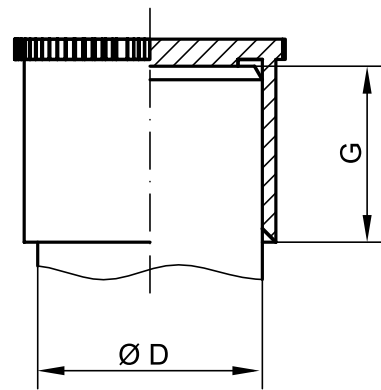
For information regarding materials, colours, drawings and the use of our items, please refer to pages 124/125.

You might also be interested in the following products: GPN 201, GPN 205, GPN 210, GPN 900

PROTECTIVE CAPS

# GPN 200 Type A

**Free test samples:**  
 MK Slovenia (+386) 04 510 53 60  
 MK Croatia (+385) 051 213 060  
 MK Serbia (+381) 011 25 21 756



« Continued from page 9



**Standard colour:** Natural  
**Material:** PE-LD

**VDA Band 19**  
**Cleaner.**  
 Upon request, we can manufacture in the specially designed cleanroom in accordance with VDA Volume 19 and ISO 16232. For further information, please refer to page 129.

**i**  
**Better.**  
 Cylindrical caps with easy-to-grip knurled collar for protection of threaded studs, pipe ends and shafts.

Suitable for external			
item	diameter D	G	Order no.
GPN 200 Z 16 × 8	16	8	200 1680 0000
GPN 200 Z 16 × 15	16	15	200 1615 0000
GPN 200 Z 16 × 20	16	20	200 1620 0000
GPN 200 Z 16 × 25	16	25	200 1625 0000
GPN 200 Z 18 × 15	18	15	200 1815 0000
GPN 200 Z 18 × 20	18	20	200 1820 0000
GPN 200 Z 18 × 26	18	26	200 1826 0000
GPN 200 Z 20 × 14	20	14	200 2014 0000
GPN 200 Z 20 × 20	20	20	200 2020 0000
GPN 200 Z 22 × 18	22	18	200 2218 0000
GPN 200 Z 22 × 30	22	30	200 2230 0000
GPN 200 Z 24 × 18	24	18	200 2418 0000
GPN 200 Z 27 × 20	27	20	200 2720 0000
GPN 200 Z 28 × 20	28	20	200 2820 0000
GPN 200 Z 30 × 22	30	22	200 3022 0000
GPN 200 Z 32 × 22	32	22	200 3222 0000
GPN 200 Z 33 × 25	33	25	200 3325 0000
GPN 200 Z 35 × 25	35	25	200 3525 0000
GPN 200 Z 36 × 25	36	25	200 3625 0000
GPN 200 Z 38 × 25	38	25	200 3825 0000
GPN 200 Z 39 × 27	39	27	200 3927 0000
GPN 200 Z 40 × 27	40	27	200 4027 0000
GPN 200 Z 42 × 27	42	27	200 4227 0000
GPN 200 Z 45 × 30	45	30	200 4530 0000
GPN 200 Z 48 × 30	48	30	200 4830 0000
GPN 200 Z 50 × 30	50	30	200 5030 0000

Size in mm

Suitable for external				
item	thread	diameter D	G	Order no.
GPN 200 G 1/4	G 1/4	13	15	200 0589 0000
GPN 200 G 3/8	G 3/8	16.5	13	200 0566 0000
GPN 200 G 1/2	G 1/2	21	15	200 0567 0000
GPN 200 G 3/4	G 3/4	26.5	16.5	200 0568 0000
GPN 200 G 1	G 1	33	19.5	200 0590 0000

Size in mm

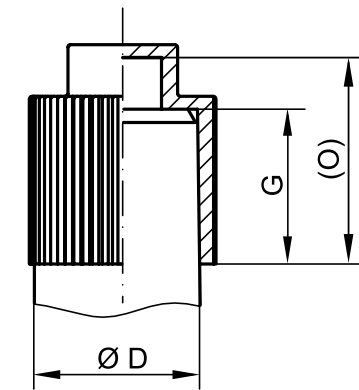
For information regarding materials, colours, drawings and the use of our items, please refer to pages 124/125.

**You might also be interested in the following products: GPN 201, GPN 205, GPN 210, GPN 900**

PROTECTIVE CAPS

# GPN 200 Type B

**Free test samples:**  
 MK Slovenia (+386) 04 510 53 60  
 MK Croatia (+385) 051 213 060  
 MK Serbia (+381) 011 25 21 756



**Standard colour:** Natural  
**Material:** PE-LD

**DIN ISO**  
**Better fit.**  
 Designed for male end connectors in accordance with DIN EN 837-1 and DIN EN 837-3.

**VDA Band 19**  
**Cleaner.**  
 Upon request, we can manufacture in the specially designed cleanroom in accordance with VDA Volume 19 and ISO 16232. For further information, please refer to page 129.

**i**  
**Better.**  
 Easy-to-grip knurled outer wall for easy removal.

item	Suitable for external		Dimensions		Order no.
	thread	diameter D	G	(O)	
GPN 200 / 1040	M 12 × 1.5	12	12	16	200 1040 0000
GPN 200 / 0790	M 20 × 1.5	20	20	26	200 0790 0000
GPN 200 / 1041	R 1/4	13	12	16	200 1041 0000
GPN 200 / 0791	R 1/2	21	20	26	200 0791 0000

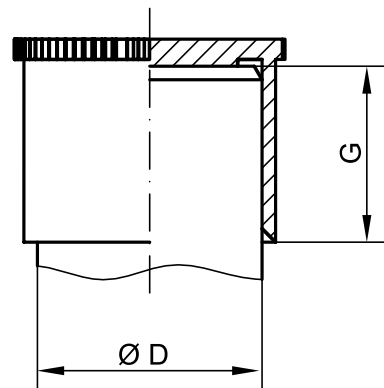
Size in mm

For information regarding materials, colours, drawings and the use of our items, please refer to pages 124/125.

**You might also be interested in the following products: GPN 201, GPN 205, GPN 210, GPN 900**

FLEXIBLE PROTECTIVE CAPS

# GPN 201



**Free test samples:**  
MK Slovenia (+386) 04 510 53 60  
MK Croatia (+385) 051 213 060  
MK Serbia (+381) 011 25 21 756



**Standard colour:** Yellow  
**Material:** TPE (plasticiser-free)

- Higher temperature resistance.**  
Heat resistant to 150 °C. More details: page 125, "Physical properties".
- More versatile.**  
Suitable for different diameters due to flexible material.
- Better.**  
Cylindrical caps with easy-to-grip knurled collar for protection of threaded studs, pipe ends and shafts.

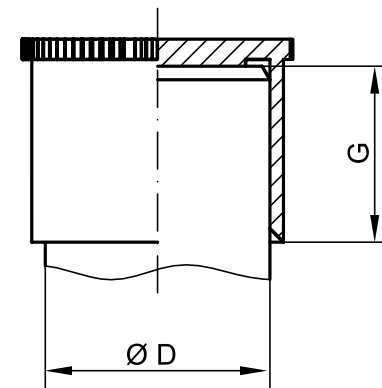
Suitable for external			
item	diameter D	G	Order no.
GPN 201 Z 5 × 13	4.9 - 5.4	13	201 0513 0000
GPN 201 Z 5 × 20	4.9 - 5.4	20	201 0520 0000
GPN 201 Z 6 × 10	5.9 - 6.4	10	201 0610 0000
GPN 201 Z 6 × 16	5.9 - 6.4	16	201 0616 0000
GPN 201 Z 7 × 16	6.9 - 7.3	15.5	201 0716 0000
GPN 201 Z 8 × 10	8 - 8.4	10	201 0810 0000
GPN 201 Z 8 × 16	7.9 - 8.4	16	201 0816 0000
GPN 201 Z 8 × 30	7.9 - 8.1	30	201 0830 0000
GPN 201 Z 9 × 12	9.2 - 9.4	11.5	201 0912 0000
GPN 201 Z 9 × 16	9 - 9.1	16	201 0916 0000
GPN 201 Z 10 × 6	10 - 10.7	6	201 1060 0000
GPN 201 Z 10 × 10	9.9 - 10.5	10	201 1010 0000
GPN 201 Z 10 × 22	10 - 10.3	22	201 1022 0000
GPN 201 Z 10 × 28	9.9 - 10.2	28	201 1028 0000
GPN 201 Z 10 × 33	9.9 - 10.1	33	201 1033 0000
GPN 201 Z 12 × 10	11.9 - 12.8	10	201 1210 0000
GPN 201 Z 12 × 16	11.8 - 12.5	16	201 1216 0000
GPN 201 Z 12 × 35	11.9 - 12.1	35	201 1235 0000
GPN 201 Z 12.5 × 20	12.5 - 13.3	20	201 1252 0000
GPN 201 Z 14 × 8	13.9 - 14.8	8	201 1480 0000
GPN 201 Z 14 × 10	13.9 - 14.7	10	201 1410 0000
GPN 201 Z 14 × 15	13.9 - 14.6	15	201 1415 0000
GPN 201 Z 14 × 20	13.9 - 14.4	20	201 1420 0000
GPN 201 Z 14 × 38	13.9 - 14.4	38	201 1438 0000
GPN 201 Z 14.5 × 15	14.4 - 14.9	15	201 1451 0000
GPN 201 Z 16 × 8	15.9 - 16.7	8	201 1680 0000
GPN 201 Z 16 × 15	16 - 16.6	15	201 1615 0000
GPN 201 Z 16 × 20	15.9 - 16.6	20	201 1620 0000
GPN 201 Z 16 × 25	15.9 - 16.3	25	201 1625 0000
GPN 201 Z 18 × 15	17.9 - 18.9	15	201 1815 0000
GPN 201 Z 18 × 20	17.9 - 18.4	20	201 1820 0000
GPN 201 Z 18 × 26	17.9 - 18.3	26	201 1826 0000
GPN 201 Z 20 × 14	20 - 20.7	14	201 2014 0000
GPN 201 Z 20 × 20	20 - 20.7	20	201 2020 0000
GPN 201 Z 22 × 18	22.2 - 22.8	18	201 2218 0000
GPN 201 Z 22 × 30	21.9 - 22.5	30	201 2230 0000
GPN 201 Z 24 × 18	23.9 - 24.6	18	201 2418 0000
GPN 201 Z 27 × 20	26.7 - 27.8	20	201 2720 0000
GPN 201 Z 28 × 20	27.7 - 28.6	20	201 2820 0000
GPN 201 Z 30 × 22	29.8 - 30.7	22	201 3022 0000
GPN 201 Z 32 × 22	31.3 - 32.8	22	201 3222 0000
GPN 201 Z 33 × 25	32.7 - 33.9	25	201 3325 0000
GPN 201 Z 35 × 25	35 - 35.8	25	201 3525 0000
GPN 201 Z 36 × 25	35.8 - 37.5	25	201 3625 0000
GPN 201 Z 38 × 25	38.1 - 39.2	25	201 3825 0000
GPN 201 Z 39 × 27	38.6 - 39.7	27	201 3927 0000
GPN 201 Z 40 × 27	39.8 - 41	27	201 4027 0000
GPN 201 Z 42 × 27	41.9 - 42.9	27	201 4227 0000
GPN 201 Z 45 × 30	45.1 - 46	30	201 4530 0000
GPN 201 Z 48 × 30	48.3 - 49.9	30	201 4830 0000
GPN 201 Z 50 × 30	50 - 51	30	201 5030 0000

Size in mm

» Continued on page 13

FLEXIBLE PROTECTIVE CAPS

# GPN 201



**Free test samples:**  
MK Slovenia (+386) 04 510 53 60  
MK Croatia (+385) 051 213 060  
MK Serbia (+381) 011 25 21 756



**Standard colour:** Yellow  
**Material:** TPE (plasticiser-free)

- Higher temperature resistance.**  
Heat resistant to 150 °C. More details: page 125, "Physical properties".
- More versatile.**  
Suitable for different diameters due to flexible material.
- Better.**  
Cylindrical caps with easy-to-grip knurled collar for protection of threaded studs, pipe ends and shafts.

« Continued from page 12

Suitable for external			
item	diameter D	G	Order no.
GPN 201 G 1/4	13.2 - 13.9	15	201 0589 0000
GPN 201 G 3/8	16.5 - 17.1	13	201 0566 0000
GPN 201 G 1/2	20.8 - 21.5	15	201 0567 0000
GPN 201 G 3/4	26.2 - 27.7	16.5	201 0568 0000
GPN 201 G 1	33.1 - 34.7	19.5	201 0590 0000

Size in mm

This application table is a guide only. We would be happy to send you free samples for testing.

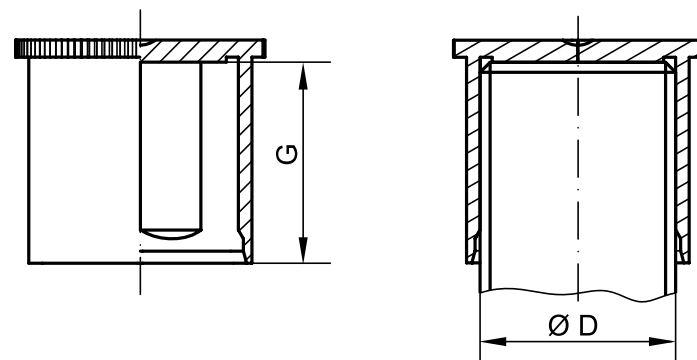
For information regarding materials, colours, drawings and the use of our items, please refer to pages 124/125.

Dimension G is not subject to DIN ISO 3302-1.

The engraving equals the GPN 200 standard series.

**You might also be interested in the following products: GPN 205, GPN 211**

PROTECTIVE CAPS  
**GPN 205**



Free test samples:  
MK Slovenia (+386) 04 510 53 60  
MK Croatia (+385) 051 213 060  
MK Serbia (+381) 011 25 21 756



Standard colour: Yellow  
Material: EVA (free from plasticisers)

**+** **More versatile.**  
Flexible material in combination with internal clamping surfaces help to accommodate larger tolerances.

**VDA Band 19**  
**Cleaner.**  
Upon request, we can manufacture in the specially designed cleanroom in accordance with VDA Volume 19 and ISO 16232. For further information, please refer to page 129.

**i** **Better.**  
Suitable for studs, external threads and pins, Easy-go-grip knurled collar and clamping surfaces for firm fit and low-abrasion removal.

item	Suitable for external		Order no.
	diameter D	G	
GPN 205 K 10 × 12	10	12.2	205 1012 0000
GPN 205 K 12 × 12	12	12.2	205 1212 0000
GPN 205 K 14 × 14	14	14.2	205 1414 0000
GPN 205 K 16 × 16	16	16.2	205 1616 0000
GPN 205 K 18 × 18	18	18.2	205 1818 0000
GPN 205 K 20 × 20	20	20.2	205 2020 0000
GPN 205 K 22 × 22	22	22.2	205 2222 0000
GPN 205 G 1/8	9.7	12.2	205 1800 0000
GPN 205 G 1/4	13.2	14.2	205 1400 0000
GPN 205 G 3/8	16.7	18.2	205 3800 0000
GPN 205 G 1/2	21	21.2	205 1200 0000
GPN 205 G 5/8	23	22.2	205 5800 0000
GPN 205 G 3/4	26.4	22.2	205 3400 0000
GPN 205 G 1	33.3	23.2	205 1000 0000

Size in mm

For information regarding materials, colours, drawings and the use of our items, please refer to pages 124/125.

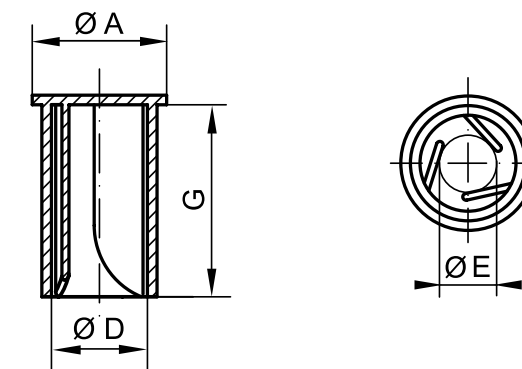
**Application Guide**

Suitable for metric threads				Pipe thread	item
Standard thread	Fine thread				
M 10	M 10 × 1	M 10 × 1.25			GPN 205 K 10 × 12
M 12	M 12 × 1	M 12 × 1.25	M 12 × 1.5		GPN 205 K 12 × 12
M 14	M 14 × 1		M 14 × 1.5		GPN 205 K 14 × 14
M 16	M 16 × 1		M 16 × 1.5		GPN 205 K 16 × 16
M 18	M 18 × 1		M 18 × 1.5		GPN 205 K 18 × 18
M 20	M 20 × 1		M 20 × 1.5		GPN 205 K 20 × 20
M 22	M 22 × 1		M 22 × 1.5		GPN 205 K 22 × 22
				G 1/8	GPN 205 G 1/8
				G 1/4	GPN 205 G 1/4
				G 3/8	GPN 205 G 3/8
				G 1/2	GPN 205 G 1/2
				G 5/8	GPN 205 G 5/8
				G 3/4	GPN 205 G 3/4
				G 1	GPN 205 G 1

This application table is a guide only. We would be happy to send you free samples for testing.

You might also be interested in the following products: GPN 215, GPN 255, GPN 800, GPN 802

PROTECTIVE CAPS  
**GPN 207**



Free test samples:  
MK Slovenia (+386) 04 510 53 60  
MK Croatia (+385) 051 213 060  
MK Serbia (+381) 011 25 21 756



Standard colour: Natural  
Material: PE-LD

**+** **More versatile.**  
Suitable for different diameters due to flexible internal fins.

**VDA Band 19**  
**Cleaner.**  
Upon request, we can manufacture in the specially designed cleanroom in accordance with VDA Volume 19 and ISO 16232. For further information, please refer to page 129.

**i** **Better.**  
Internal fins providing venting and pressure equalisation. Suitable for studs, pins, external threads and the mating surfaces of SAE quick-connect plugs.

item	Suitable for external		Dimensions			Order no.
	Outside diameter E		A	D	G	
GPN 207 FL 67	5.2 - 6.7		12	8	25	207 0067 0000
GPN 207 FL 73	5.8 - 7.3		13	9	25	207 0073 0000
GPN 207 FL 77	6.5 - 7.7		14	10	32	207 0077 0000
GPN 207 FL 80	6.5 - 8		14	10	20	207 0080 0000
GPN 207 FL 107	7.8 - 10.7		17	13.3	25	207 0107 0000
GPN 207 FL 123	9.3 - 12.3		18.5	14.3	23	207 0123 0000
GPN 207 FL 150	11.8 - 15		21	17.3	25	207 0150 0000

Size in mm

For information regarding materials, colours, drawings and the use of our items, please refer to pages 124/125.

**Application Guide**

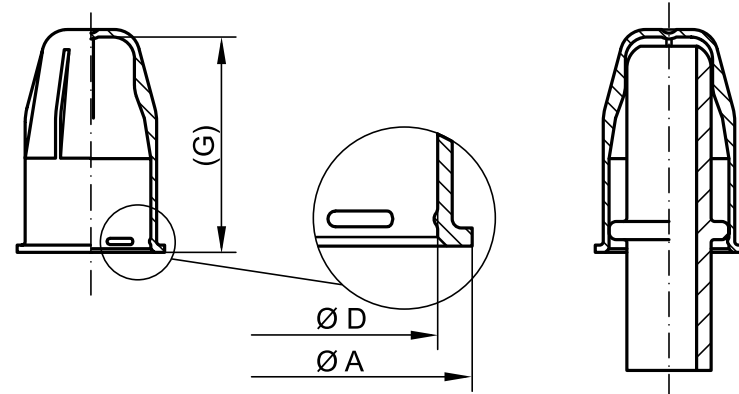
Suitable for metric threads	Pipe thread	Suitable for external		item
		Nominal width of SAE connector		
		6.35 (1/4")		GPN 207 FL 67
M 6				GPN 207 FL 73
		7.89 (5/16")		GPN 207 FL 77
M 8		7.89 (5/16")		GPN 207 FL 80
M 8	M 10			GPN 207 FL 107
M 10		G 1/8	9.89 (7/16")	GPN 207 FL 123
M 12	M 14	G 1/4	12.70 (1/2")	GPN 207 FL 150

This application table is a guide only. We would be happy to send you free samples for testing.

You might also be interested in the following products: GPN 205, GPN 215, GPN 255

PROTECTIVE CAPS  
**GPN 240**

**Free test samples:**  
MK Slovenia (+386) 04 510 53 60  
MK Croatia (+385) 051 213 060  
MK Serbia (+381) 011 25 21 756



Standard colour: Yellow  
Material: PE-LLD

**DIN ISO** **Better fit.**  
For protecting the mating surfaces of SAE quick-connect plugs.

**Seals better.**  
Suitable for pressure testing depending on the application.

**VDA Band 19** **Cleaner.**  
Upon request, we can manufacture in the specially designed cleanroom in accordance with VDA Volume 19 and ISO 16232. For further information, please refer to page 129.

**i** **Better.**  
The sealing surface of the SAE connector remains untouched.

item	Suitable for external	Dimensions			Order no.
	Nominal width of SAE connector	A	D	(G)	
GPN 240 MT 8	8	14.7	10.9	24.7	240 0008 0000
GPN 240 MT 9.5	9.5	16.7	12.9	25.1	240 0095 0000
GPN 240 MT 10	10	17.2	13.4	27.8	240 0010 0000
GPN 240 MT 12	12	20.3	16.5	29.6	240 0012 0000
GPN 240 MT 18	18	24.8	21	29.6	240 0018 0000

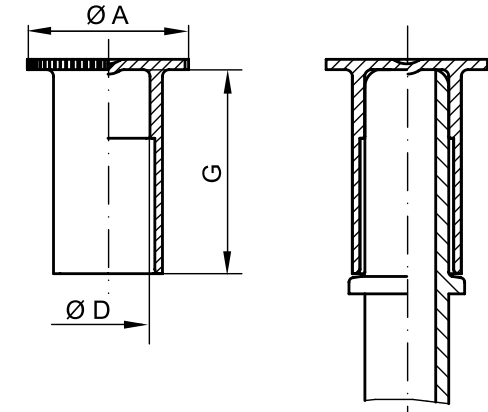
Size in mm

For information regarding materials, colours, drawings and the use of our items, please refer to pages 124/125.

You might also be interested in the following products: GPN 210, GPN 211, GPN 245

SAE SEALING CAPS  
**GPN 241**

**Watch the film now:**  
poeppelemann.com/en/gpn241



Standard colour: Yellow  
Material: PE-LD

**DIN ISO** **Better fit.**  
For protecting the mating surfaces of SAE quick-connect plugs.

**Seals better.**  
The SAE connector can withstand short-term pressurisation of approx. 1 bar, depending on its surface quality.

**VDA Band 19** **Cleaner.**  
Upon request, we can manufacture in the specially designed cleanroom in accordance with VDA Volume 19 and ISO 16232. For further information, please refer to page 129.

**i** **Better.**  
Diameter A prevents accidental assembly with a quick connector.

item	Suitable for external	Dimensions			Order no.
	Nominal width of SAE connector	A	D	G	
GPN 241 DF 8*	8	16	7.8	17.9	241 0008 0000
GPN 241 DF 9.5	9.5	17	9.4	19	241 0095 0000
GPN 241 DF 10	10	18	9.8	22.8	241 0010 0000
GPN 241 DF 12.7	12.7	20	12.5	23.5	241 0127 0000
GPN 241 DF 16	16	24	15.54	24	241 0016 0000
GPN 241 DF 18	18	25	17.8	21	241 0018 0000

Size in mm

For information regarding materials, colours, drawings and the use of our items, please refer to pages 124/125.

\*This size is additionally supplied with inner ribs.

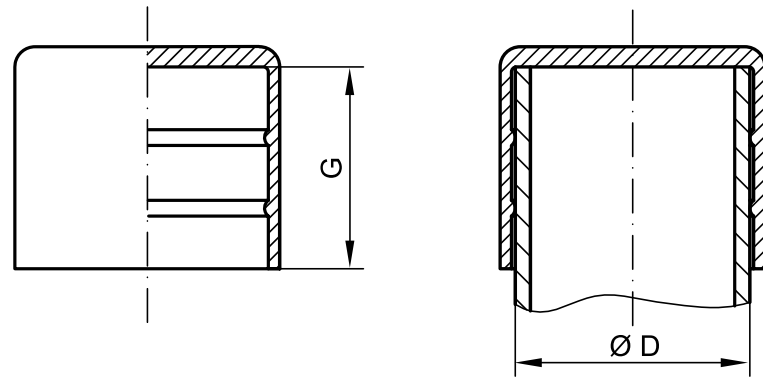
You might also be interested in the following products: GPN 211, GPN 240, GPN 245

PROTECTIVE CAPS FOR PIPES

# GPN 250

MK Slovenia  
MK Croatia  
MK Serbia

**Free test samples:**  
(+386) 04 510 53 60  
(+385) 051 213 060  
(+381) 011 25 21 756



**Standard colour:** Yellow

**Material:** PE-LD; PE-LLD (from GPN 250/219)

**DIN ISO Better fit.** Protection for pipes in accordance with DIN EN 10220, DIN EN 10255 and DIN EN ISO 1127.

**More robust.** Thick-walled design for higher demands.

**Better.** Discontinuous internal beads, offset by 180° degrees, permit venting and pressure equalisation.

Suitable for external				
item	diameter D	thread	G	Order no.
GPN 250 / 4	4		19.5	250 0040 0000
GPN 250 / 8	8		14	250 0080 0000
GPN 250 / 10.2	10.2	G 1/8	19.5	250 0102 0000
GPN 250 / 12	12		20	250 0120 0000
GPN 250 / 13.5	13.5	G 1/4	20	250 0135 0000
GPN 250 / 14	14		20	250 0140 0000
GPN 250 / 15	15		19.5	250 0150 0000
GPN 250 / 16	16		20	250 0160 0000
GPN 250 / 16.75	16.8		19.5	250 0167 0000
GPN 250 / 17.2	17.2	G 3/8	20.5	250 0172 0000
GPN 250 / 18	18		20	250 0180 0000
GPN 250 / 20	20		20	250 0200 0000
GPN 250 / 21.3	21.3	G 1/2	20	250 0213 0000
GPN 250 / 22	22		20	250 0220 0000
GPN 250 / 24	24		20	250 0240 0000
GPN 250 / 25	25		20	250 0250 0000
GPN 250 / 26	26		27	250 0260 0000
GPN 250 / 26.9	26.9	G 3/4	27.5	250 0269 0000
GPN 250 / 28	28		27	250 0280 0000
GPN 250 / 30	30		27.5	250 0300 0000
GPN 250 / 32	31.8		27.5	250 0320 0000
GPN 250 / 32.5	32.5		15	250 0325 0000
GPN 250 / 33.7	33.7	G 1	28	250 0337 0000
GPN 250 / 35	35		27	250 0350 0000
GPN 250 / 38	38		27.5	250 0380 0000
GPN 250 / 40	40		27	250 0400 0000
GPN 250 / 41.5	41.5		27	250 0415 0000
GPN 250 / 42.4	42.4	G 1 1/4	35.5	250 0424 0000
GPN 250 / 44.5	44.5	G 1 3/8	35	250 0445 0000
GPN 250 / 48.3	48.3	G 1 1/2	35	250 0483 0000
GPN 250 / 50	50		34.5	250 0500 0000
GPN 250 / 51	51		35	250 0510 0000
GPN 250 / 54	54	G 1 3/4	35	250 0540 0000
GPN 250 / 57	57		35	250 0570 0000
GPN 250 / 60	60.3	G 2	36	250 0600 0000
GPN 250 / 63.5	63.5		35	250 0635 0000
GPN 250 / 70	70		36	250 0700 0000
GPN 250 / 73	73		34.5	250 0730 0000
GPN 250 / 76	76.1	G 2 1/2	36	250 0760 0000
GPN 250 / 83	82.5	G 2 3/4	35	250 0830 0000
GPN 250 / 87.9	87.9	G 3	34.5	250 0879 0000
GPN 250 / 89	88.9		35	250 0890 0000
GPN 250 / 95	95		35	250 0950 0000
GPN 250 / 102	101.6		34.5	250 1020 0000
GPN 250 / 108	108		34.5	250 1080 0000
GPN 250 / 113	113	G 4	40.5	250 1130 0000
GPN 250 / 114.3	114.3		35.5	250 1143 0000
GPN 250 / 121	121		34.5	250 1210 0000

Size in mm

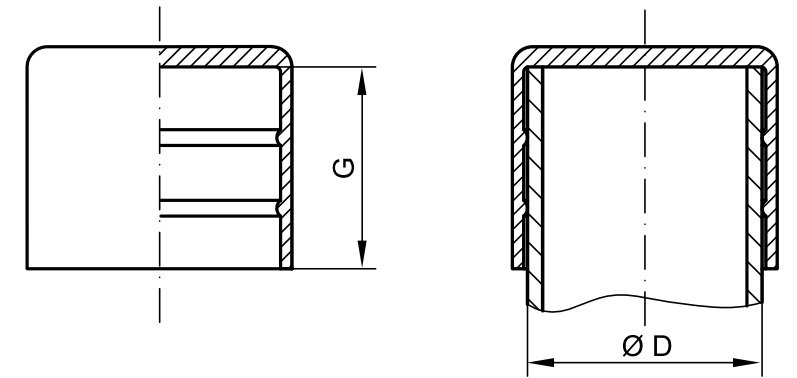
» Continued on page 19

PROTECTIVE CAPS FOR PIPES

# GPN 250

MK Slovenia  
MK Croatia  
MK Serbia

**Free test samples:**  
(+386) 04 510 53 60  
(+385) 051 213 060  
(+381) 011 25 21 756



**Standard colour:** Yellow

**Material:** PE-LD; PE-LLD (from GPN 250/219)

**DIN ISO Better fit.** Protection for pipes in accordance with DIN EN 10220, DIN EN 10255 and DIN EN ISO 1127.

**More robust.** Thick-walled design for higher demands.

**Better.** Discontinuous internal beads, offset by 180° degrees, permit venting and pressure equalisation.

« Continued from page 18

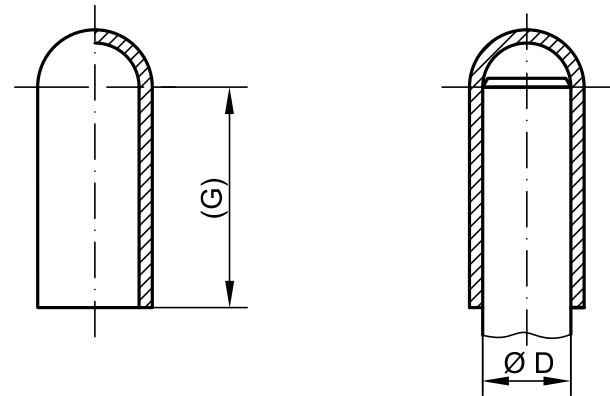
Suitable for external				
item	diameter D	thread	G	Order no.
GPN 250 / 127	127	G 4 1/2	34.5	250 1270 0000
GPN 250 / 130	130		34.5	250 1300 0000
GPN 250 / 133	133		34.5	250 1330 0000
GPN 250 / 139.7	139.7	G 5	34.5	250 1397 0000
GPN 250 / 146	146		35	250 1460 0000
GPN 250 / 152.4	152.4	G 5 1/2	35	250 1524 0000
GPN 250 / 159	159		34.5	250 1590 0000
GPN 250 / 168.3	168.3	G 6	34.5	250 1683 0000
GPN 250 / 174.9	174.9		20	250 1749 0000
GPN 250 / 219	219	G 8	41	250 2190 0000
GPN 250 / 273	273	G 10	41.5	250 2730 0000
GPN 250 / 323.9	323.9	G 12	45.5	250 3239 0000
GPN 250 / 355.6	355.6	G 14	54	250 3556 0000
GPN 250 / 406.4	406.4	G 16	53	250 4064 0000

Size in mm

For information regarding materials, colours, drawings and the use of our items, please refer to pages 124/125.

You might also be interested in the following products: GPN 200 Type A, GPN 600, GPN 610

PROTECTIVE CAPS  
**GPN 255**



**Free test samples:**  
MK Slovenia (+386) 04 510 53 60  
MK Croatia (+385) 051 213 060  
MK Serbia (+381) 011 25 21 756



**Standard colour:** Natural  
**Material:** SI

- Higher temperature resistance.**  
Extremely heat resistant up to 250°C. More details: page 125, "Physical properties".
- More robust.**  
Highly tear-resistant material for increased demands.
- More versatile.**  
Flexible material for accommodating larger tolerances.
- Better.**  
Protection for studs and pipe ends.

item	Suitable for external		
	diameter D	(G)	Order no.
GPN 255 / 2	2	25.4	255 0020 0000
GPN 255 / 2.5	2.5	19	255 0025 0000
GPN 255 / 3	3	25.4	255 0030 0000
GPN 255 / 3.5	3.5	25.4	255 0035 0000
GPN 255 / 4	4	25.4	255 0040 0000
GPN 255 / 5	5	25.4	255 0050 0000
GPN 255 / 6	6	38.1	255 0060 0000
GPN 255 / 8	8	38.1	255 0080 0000
GPN 255 / 10	10	38.1	255 0100 0000
GPN 255 / 12	12	38.1	255 0120 0000
GPN 255 / 14	14	38.1	255 0140 0000
GPN 255 / 15	15	38.1	255 0150 0000
GPN 255 / 16	16	38.1	255 0160 0000
GPN 255 / 17	17	38.1	255 0170 0000
GPN 255 / 18	18	38.1	255 0180 0000
GPN 255 / 20	20	38.1	255 0200 0000
GPN 255 / 22	22	38.1	255 0220 0000
GPN 255 / 24	24	38.1	255 0240 0000
GPN 255 / 25	25	38.1	255 0250 0000
GPN 255 / 27	27	38.1	255 0270 0000
GPN 255 / 30	30	38.1	255 0300 0000
GPN 255 / 33	33	38.1	255 0330 0000
GPN 255 / 36	36	44.5	255 0360 0000
GPN 255 / 39	39	44.5	255 0390 0000
GPN 255 / 42	42	50.8	255 0420 0000
GPN 255 / 45	45	50.8	255 0450 0000
GPN 255 / 48	48	50.8	255 0480 0000
GPN 255 / 52	52	50.8	255 0520 0000

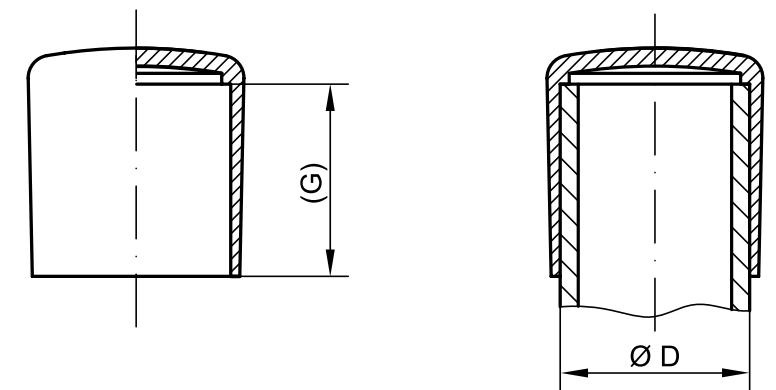
Size in mm

Flash and foreign particles are permitted for these items. We recommend that you carry out functional tests before series production.

For more information about the application of our items, please refer to pages 124/125.

**You might also be interested in the following products:** GPN 605, GPN 606, GPN 607

END CAPS  
**GPN 280**



**Free test samples:**  
MK Slovenia (+386) 04 510 53 60  
MK Croatia (+385) 051 213 060  
MK Serbia (+381) 011 25 21 756



**Standard colour:** Black  
**Material:** PE-LD

- More robust.**  
Reinforced base for increased demands.
- Better.**  
Suitable for pipes; particularly suitable as gilders for furniture and equipment.

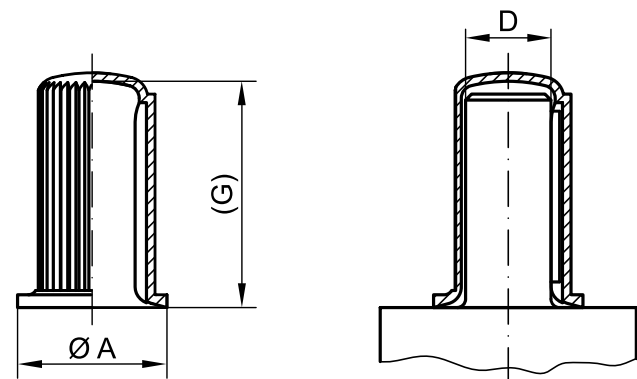
item	Suitable for external		
	diameter D	(G)	Order no.
GPN 280 ER 3	3	8	280 0003 0000
GPN 280 ER 4	4	8.1	280 0004 0000
GPN 280 ER 5	5	7.7	280 0005 0000
GPN 280 ER 6	6	8.6	280 0006 0000
GPN 280 ER 7	7	9	280 0007 0000
GPN 280 ER 8	8	9.4	280 0008 0000
GPN 280 ER 10	10	11	280 0010 0000
GPN 280 ER 11	11	12.9	280 0011 0000
GPN 280 ER 12	12	12.3	280 0012 0000
GPN 280 ER 13	13	13.2	280 0013 0000
GPN 280 ER 14	14	12.8	280 0014 0000
GPN 280 ER 15	15	14.7	280 0015 0000
GPN 280 ER 16	16	16.4	280 0016 0000
GPN 280 ER 18	18	19.7	280 0018 0000
GPN 280 ER 20	20	20.1	280 0020 0000
GPN 280 ER 21	21	21.3	280 0021 0000
GPN 280 ER 22	22	20.6	280 0022 0000
GPN 280 ER 24	24	22.7	280 0024 0000
GPN 280 ER 25	25	22.3	280 0025 0000
GPN 280 ER 26	26	23.5	280 0026 0000
GPN 280 ER 27	27	25.3	280 0027 0000
GPN 280 ER 28	28	24.8	280 0028 0000
GPN 280 ER 30	30	24.8	280 0030 0000
GPN 280 ER 32	32	26.4	280 0032 0000

Size in mm

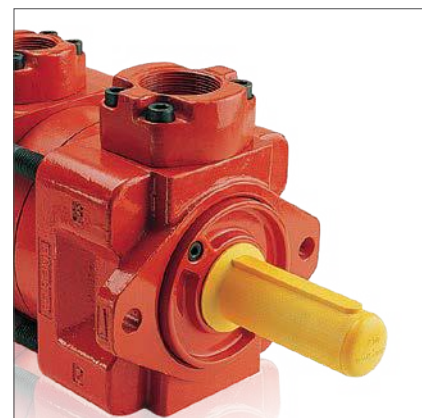
For more information about the application of our items, please refer to pages 124/125.

**You might also be interested in the following products:** GPN 200 Type A, GPN 260, GPN 320, GPN 1000

SHAFT PROTECTION  
**GPN 290**



**Free test samples:**  
MK Slovenia (+386) 04 510 53 60  
MK Croatia (+385) 051 213 060  
MK Serbia (+381) 011 25 21 756



**Standard colour:** Yellow  
**Material:** PE-LD

**DIN ISO** **Better fit.**  
Protection for shaft ends in accordance with DIN EN 748-1 and DIN EN 50347.

**i** **Better.**  
Also secures the feather key.

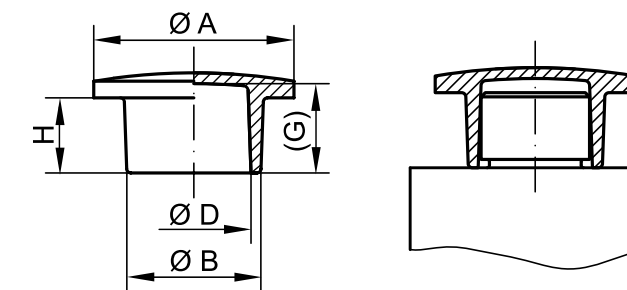
item	Suitable for external		Dimensions		Order no.
	diameter D	A	(G)		
GPN 290 / 009	9	14.5	22		290 0009 0000
GPN 290 / 011	11	17.5	26.3		290 0011 0000
GPN 290 / 014	14	22.5	33.5		290 0014 0000
GPN 290 / 015	15	25.5	31		290 0015 0000
GPN 290 / 016	16	25.5	44.5		290 0016 0000
GPN 290 / 019	19	30.5	45		290 0019 0000
GPN 290 / 020	20	32	58		290 0020 0000
GPN 290 / 022	22	35.5	56.8		290 0022 0000
GPN 290 / 024	24	38.5	57		290 0024 0000
GPN 290 / 025	25	40	69		290 0025 0000
GPN 290 / 028	28	45	69		290 0028 0000
GPN 290 / 030	30	48	91.3		290 0030 0000
GPN 290 / 032	32	51	91.8		290 0032 0000
GPN 290 / 035	35	56	91		290 0035 0000
GPN 290 / 038	38	61	91		290 0038 0000
GPN 290 / 042	42	67	125.5		290 0042 0000
GPN 290 / 045	45	72	115.5		290 0045 0000
GPN 290 / 048	48	77	126		290 0048 0000
GPN 290 / 055	55	88	125.8		290 0055 0000
GPN 290 / 060	60	96	160.5		290 0060 0000
GPN 290 / 075	75	112	165		290 0075 0000

Size in mm

For information regarding materials, colours, drawings and the use of our items, please refer to pages 124/125.

You might also be interested in the following products: GPN 200 Type A, GPN 255

CLOSURES  
**GPN 350**



**Free test samples:**  
MK Slovenia (+386) 04 510 53 60  
MK Croatia (+385) 051 213 060  
MK Serbia (+381) 011 25 21 756



**Standard colour:** Natural  
**Material:** PE-LD

**+** **More versatile.**  
Can be used as plug or cap.

**VDA Band 19** **Cleaner.**  
Upon request, we can manufacture in the specially designed cleanroom in accordance with VDA Volume 19 and ISO 16232. For further information, please refer to page 129.

**i** **Better.**  
Suitable for bore holes, studs, conductors and threads.

item	External application			External application		Order no.
	A	B	H	D	(G)	
GPN 350   11	13	5.8	6	3.8	7.3	350 0001 0000
GPN 350   12	13	6.2	6	3.8	7.3	350 0002 0000
GPN 350   13	13	6.4	9	5	10.8	350 0003 0000
GPN 350   14	13	7.1	6	4.7	7.8	350 0004 0000
GPN 350   4.5	13	7.4	6	5	7.8	350 0450 0000
GPN 350   5	13	8.2	6	5.8	7.8	350 0005 0000
GPN 350   6	13	7.8	9	6	10.8	350 0006 0000
GPN 350   6.5	13	8.7	6	6.9	7.3	350 0650 0000
GPN 350   7	13	9.3	6	7.7	7.3	350 0007 0000
GPN 350   7.5	16	9.8	8.5	7.5	9.8	350 0750 0000
GPN 350   8	16	10.4	8	8.1	9	350 0008 0000
GPN 350   9	16	10.4	11	8	12.8	350 0009 0000
GPN 350   10	16	10.8	8	8.8	9.8	350 0010 0000
GPN 350   11	16	11.3	8	9.4	9.3	350 0011 0000
GPN 350   12	16	11.9	13	9.7	14.5	350 0012 0000
GPN 350   13	16	11.9	8	9.7	9.2	350 0013 0000
GPN 350   13.5	19	12.5	8	10.5	9.8	350 1350 0000
GPN 350   14	19	12.9	8	10.9	9.8	350 0014 0000
GPN 350   14.5	19	13.4	8	11.4	9.8	350 1450 0000
GPN 350   15	19	13.9	8	11.7	9.8	350 0015 0000
GPN 350   16	19	14	16	11.7	17.7	350 0016 0000
GPN 350   17	19	14.5	8	12.5	9.3	350 0017 0000
GPN 350   18	19	15	8	13	9.3	350 0018 0000
GPN 350   18.5	19	15.3	9	13.3	10.7	350 1850 0000
GPN 350   20	24	15.9	9	13.7	10.7	350 0020 0000
GPN 350   20.5	24	16.5	9	14.2	10.7	350 2050 0000
GPN 350   21	24	17	9	14.7	10.6	350 0021 0000
GPN 350   21.5	24	17.3	9	15	10.7	350 2150 0000
GPN 350   22	24	17.8	22	14.7	23.3	350 0022 0000
GPN 350   23	24	17.7	9	15.7	10.7	350 0023 0000
GPN 350   24	24	18.3	9	16.5	10.7	350 0024 0000
GPN 350   24.5	26	19.1	8.5	16.8	10.7	350 2450 0000
GPN 350   25	26	19.9	10	17.7	12.2	350 0025 0000
GPN 350   26	26	20.9	10	18.7	12.2	350 0026 0000
GPN 350   27	26	21.5	26	18.7	28.2	350 0027 0000
GPN 350   28	26	22	10	19.7	12.2	350 0028 0000
GPN 350   29	26	22.7	10	20.5	12.2	350 0029 0000
GPN 350   30	29	23.2	10	21.2	12.2	350 0030 0000
GPN 350   31	29	23.7	10	21.7	12.2	350 0031 0000
GPN 350   32	29	24.4	10	23	12.2	350 0032 0000

Size in mm

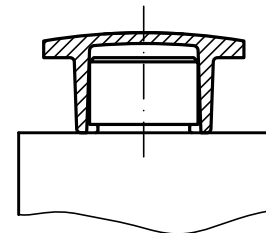
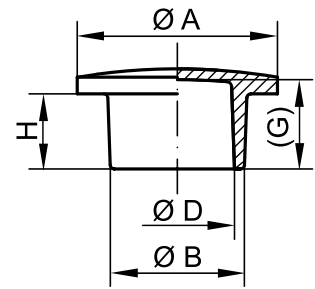
» Continued on page 24

For information regarding materials, colours, drawings and the use of our items, please refer to pages 124/125.

You might also be interested in the following products: GPN 205, GPN 255, GPN 351, GPN 608

CLOSURES

# GPN 350



External application

Free test samples:  
MK Slovenia (+386) 04 510 53 60  
MK Croatia (+385) 051 213 060  
MK Serbia (+381) 011 25 21 756



« Continued from page 23



Standard colour: Natural  
Material: PE-LD

**+** **More versatile.**  
Can be used as plug or cap.

**VDA Band 19**  
**Cleaner.**  
Upon request, we can manufacture in the specially designed cleanroom in accordance with VDA Volume 19 and ISO 16232. For further information, please refer to page 129.

**i** **Better.**  
Suitable for bore holes, studs, conductors and threads.

Size in mm

For information regarding materials, colours, drawings and the use of our items, please refer to pages 124/125.

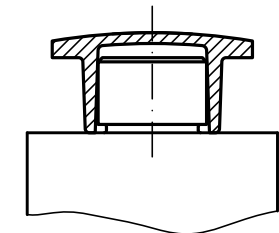
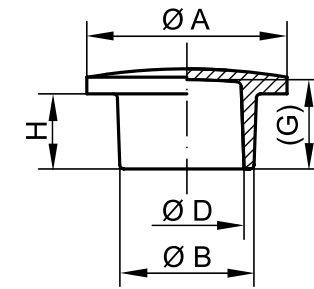
You might also be interested in the following products: GPN 205, GPN 255, GPN 351, GPN 608

External application

item	A	B	H	D	(G)	Order no.
GPN 350 133	29	25	10	23.7	12.2	350 0033 0000
GPN 350 135	33	26.3	11	24.9	13.2	350 0035 0000
GPN 350 136	33	27.2	11	25.2	13.2	350 0036 0000
GPN 350 137	33	28.3	11	25.7	13.2	350 0037 0000
GPN 350 138	33	29.3	11	26.9	12.5	350 0038 0000
GPN 350 139	36	30.1	11	27.9	12.6	350 0039 0000
GPN 350 140	36	30.4	11	28.3	13.2	350 0040 0000
GPN 350 140.5	36	30.7	11	28.6	13.2	350 4050 0000
GPN 350 140.8	36	31.3	11	29.2	13.2	350 4080 0000
GPN 350 141	36	32	11	29.7	12.5	350 0041 0000
GPN 350 142	36	32.8	11	30.5	13.2	350 0042 0000
GPN 350 143	42	33.9	12	31.5	14.2	350 0043 0000
GPN 350 144	42	34.5	12	32.5	14.2	350 0044 0000
GPN 350 145	42	35.3	12	32.4	14.2	350 0045 0000
GPN 350 146	42	36.5	12	34.7	14.2	350 0046 0000
GPN 350 147	45	38	12	35.7	14.2	350 0047 0000
GPN 350 148	45	38.9	12	36.7	14.2	350 0048 0000
GPN 350 149	45	39.4	12	37.5	14.2	350 0049 0000
GPN 350 150	45	40.2	12	38.5	14.2	350 0050 0000
GPN 350 151	50	41.8	12	39.5	13.7	350 0051 0000
GPN 350 152	50	43.7	12	41.5	14.2	350 0052 0000
GPN 350 153	50	44.8	12	42	14.2	350 0053 0000
GPN 350 1531	56	46.8	12	44.5	13.7	350 0531 0000
GPN 350 154	56	46.8	12	44.5	13.7	350 0054 0000
GPN 350 1541	55	48.3	12	46.3	14.2	350 0541 0000
GPN 350 155	56	48.7	12	46.7	14.2	350 0055 0000
GPN 350 156	56	50.5	20	47.5	22.2	350 0056 0000
GPN 350 157	62	54	13	51.5	14.2	350 0057 0000
GPN 350 1570	65	59.4	15	56.9	15	350 0570 0000
GPN 350 1571	65	60.8	18	56.8	18	350 0571 0000
GPN 350 158	72	62.5	14	59.2	16	350 0058 0000
GPN 350 1581	85	79.5	18	76.5	18	350 0581 0000
GPN 350 159	88	75.6	14	72.9	16.5	350 0059 0000
GPN 350 160	92	88.5	20	85	20	350 0060 0000

FLEXIBLE CLOSURES

# GPN 351



External application

Watch the film now:  
poeppelmann.com/en/gpn351



Standard colour: Yellow  
Material: TPE, free from plasticisers

**°C / °F** **Higher temperature resistance.**  
Heat resistant to 150 °C. More details: page 125, "Physical properties".

**+** **More versatile.**  
Suitable for different diameters due to flexible material.

**i** **Better.**  
Suitable for a apertures, studs, conductors, hexagonal applications and threads.

External application

item	A	B	H	D	(G)	Order no.
GPN 351 11	13	5.8	6	3.8	7.3	351 0001 0000
GPN 351 12	13	6.2	6	3.8	7.3	351 0002 0000
GPN 351 13	13	6.4	9	5	10.8	351 0003 0000
GPN 351 14	13	7.1	6	4.7	7.8	351 0004 0000
GPN 351 14.5	13	7.4	6	5	7.8	351 0450 0000
GPN 351 15	13	8.2	6	5.8	7.8	351 0005 0000
GPN 351 16	13	7.8	9	6.3	10.8	351 0006 0000
GPN 351 16.5	13	8.7	6	6.9	7.3	351 0650 0000
GPN 351 17	13	9.3	6	7.7	7.3	351 0007 0000
GPN 351 17.5	16	9.8	8.5	7.5	9.8	351 0750 0000
GPN 351 18	16	10.4	8	8.1	9	351 0008 0000
GPN 351 19	16	10.4	11	8	12.8	351 0009 0000
GPN 351 110	16	10.8	8	8.8	9.8	351 0010 0000
GPN 351 111	16	10.8	8	8.8	9.8	351 0011 0000
GPN 351 112	16	11.9	13	9.7	14.5	351 0012 0000
GPN 351 113	16	11.9	8	9.7	9.2	351 0013 0000
GPN 351 113.5	19	12.5	8	10.5	9.8	351 1350 0000
GPN 351 114	19	12.9	8	10.9	9.8	351 0014 0000
GPN 351 114.5	19	13.4	8	11.4	9.8	351 1450 0000
GPN 351 115	19	13.9	8	11.7	9.8	351 0015 0000
GPN 351 116	19	14	16	11.7	17.7	351 0016 0000
GPN 351 117	19	14.5	8	12.5	9.3	351 0017 0000
GPN 351 118	19	15	8	13	9.3	351 0018 0000
GPN 351 118.5	19	15.3	9	13.3	10.7	351 1850 0000
GPN 351 120	24	15.9	9	13.7	10.7	351 0020 0000
GPN 351 120.5	24	16.5	9	14.2	10.7	351 2050 0000
GPN 351 121	24	17	9	14.7	10.6	351 0021 0000
GPN 351 121.5	24	17.3	9	15	10.7	351 2150 0000
GPN 351 122	24	17.8	22	14.7	23.3	351 0022 0000
GPN 351 123	24	17.7	9	15.7	10.7	351 0023 0000
GPN 351 124	24	18.3	9	16.5	10.7	351 0024 0000
GPN 351 124.5	26	19.1	8.5	16.8	10.7	351 2450 0000
GPN 351 125	26	19.9	10	17.7	12.2	351 0025 0000
GPN 351 126	26	19.9	10	18.7	12.2	351 0026 0000
GPN 351 127	26	21.7	26	18.7	28.2	351 0027 0000
GPN 351 128	26	22	10	19.9	12.2	351 0028 0000
GPN 351 129	26	22.9	10	20.7	12.2	351 0029 0000
GPN 351 130	29	23.2	10	21.4	12.2	351 0030 0000
GPN 351 131	29	23.7	10	21.9	12.2	351 0031 0000
GPN 351 132	29	24.4	10	23	12.2	351 0032 0000

Size in mm

» Continued on page 26

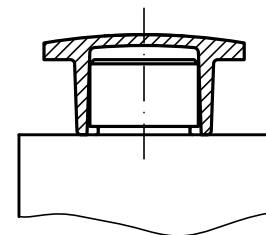
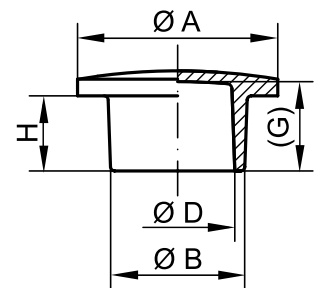
For information regarding materials, colours, drawings and the use of our items, please refer to pages 124/125.

The engraving equals the GPN 350 standard series.

You might also be interested in the following products: GPN 201, GPN 205, GPN 350, GPN 608

FLEXIBLE CLOSURES

# GPN 351



External application

Watch the film now:  
poepplmann.com/en/gpn351



Standard colour: Yellow  
Material: TPE, free from plasticisers

**Higher temperature resistance.**  
Heat resistant to 150 °C. More details: page 125, "Physical properties".

**More versatile.**  
Suitable for different diameters due to flexible material.

**Better.**  
Suitable for a aperatures, studs, conductors, hexagonal applications and threads.

« Continued from page 25

item	A	B	H	External application		Order no.
				D	(G)	
GPN 351   33	29	25.2	10	23.9	12.2	351 0033 0000
GPN 351   35	33	26.3	11	25.2	13.5	351 0035 0000
GPN 351   36	33	27.2	11	25.4	13.2	351 0036 0000
GPN 351   37	33	28.3	11	25.9	13.6	351 0037 0000
GPN 351   38	33	29.3	11	27	12.7	351 0038 0000
GPN 351   39	36	30.1	11	27.9	12.6	351 0039 0000
GPN 351   40	36	30.4	11	28.3	12.7	351 0040 0000
GPN 351   40.5	36	30.7	11	28.6	13.2	351 4050 0000
GPN 351   40.8	36	31.3	11	29.2	13.2	351 4080 0000
GPN 351   41	36	32	11	29.7	12.7	351 0041 0000
GPN 351   42	36	32.8	11	30.5	12.7	351 0042 0000
GPN 351   43	42	33.9	12.2	31.7	13.7	351 0043 0000
GPN 351   44	42	34.6	12	32.8	13.8	351 0044 0000
GPN 351   45	42	35.3	12	32.6	13.5	351 0045 0000
GPN 351   46	42	36.6	12	35	13.8	351 0046 0000
GPN 351   47	45	38	12	36	14.2	351 0047 0000
GPN 351   48	45	38.9	12	37	14.2	351 0048 0000
GPN 351   49	45	39.5	12	37.8	13.8	351 0049 0000
GPN 351   50	45	40.3	12	38.8	14.2	351 0050 0000
GPN 351   51	50	42	12.2	40	13.4	351 0051 0000
GPN 351   52	50	43.7	12	42	14.2	351 0052 0000
GPN 351   53	50	44.9	12	42.5	14	351 0053 0000
GPN 351   531	56	46.2	12	43.9	13.2	351 0531 0000
GPN 351   54	56	47.2	12	45.0	13.3	351 0054 0000
GPN 351   541	55	48.6	12	46.5	14.4	351 0541 0000
GPN 351   55	56	48.5	12.2	47	13.7	351 0055 0000
GPN 351   56	56	50.3	20	48	21.7	351 0056 0000
GPN 351   57	62.5	54.6	13.2	52	14.5	351 0057 0000
GPN 351   570	65	59.8	15	56.9	15	351 0570 0000
GPN 351   571	65	60.8	18	56.8	18	351 0571 0000
GPN 351   58	72	63	14	59.8	15.5	351 0058 0000
GPN 351   581	85	80	18	77	18	351 0581 0000
GPN 351   59	88	76	14	73.5	15.5	351 0059 0000
GPN 351   60	93	88.5	20.5	84.5	20.5	351 0060 0000

Size in mm

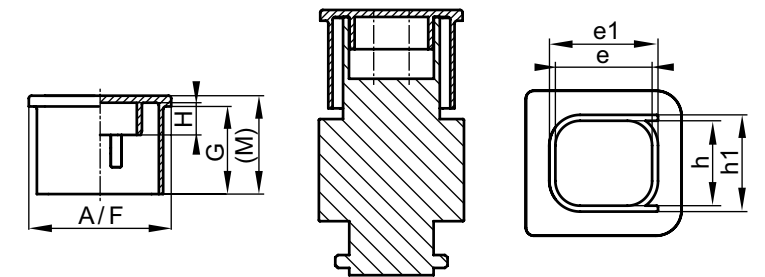
For information regarding materials, colours, drawings and the use of our items, please refer to pages 124/125.

The engraving equals the GPN 350 standard series.

You might also be interested in the following products: GPN 201, GPN 205, GPN 350, GPN 608

HSDCS PROTECTION

# GPN 365



Watch the film now:  
poepplmann.com/en/gpn365



Standard colour: Yellow  
Material: TPE, free from plasticisers

**Better fit.**  
For the protection of HDSCS (Heavy Duty Sealed Connector Series) pin housings.

**Higher temperature resistance.**  
Heat resistant to 150 °C. More details: page 125, "Physical properties".

**Better.**  
To protect pin housings and contact pins. Ideal for transport and paintwork protection.

item	Dimensions					Order no.
	A	F	G	H	(M)	
GPN 365 SC 1810	33.7	19.6	16.3	6	18.3	365 1810 0000
GPN 365 SC 1816	33.7	26.5	16.3	6	18.3	365 1816 0000
GPN 365 SC 2316	38.7	26.5	16.3	6	18.3	365 2316 0000
GPN 365 SC 3116	46.7	27.5	16.3	6	18.3	365 3116 0000
GPN 365 SC 4316	58.9	26.7	16.3	6	18.3	365 4316 0000

Size in mm

For information regarding materials, colours, drawings and the use of our items, please refer to pages 124/125.

## Application Guide

Inside contour e x h	Outside contour e1 x h1	Can be used with HDSCS pin housings											item				
		Pole number															
		2	3	4	6	7	8	10	12	15	16	18					
17.8 x 9.6	20.2 x 12	•	•														GPN 365 SC 1810
17.8 x 15.6	20.2 x 18			•	•												GPN 365 SC 1816
22.8 x 15.6	25.2 x 18	•				•	•										GPN 365 SC 2316
30.8 x 15.6	33.2 x 18							•	•	•							GPN 365 SC 3116
42.8 x 15.6	45.2 x 18										•	•	•	•			GPN 365 SC 4316

Size in mm

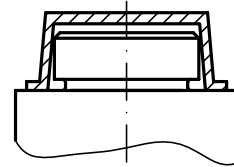
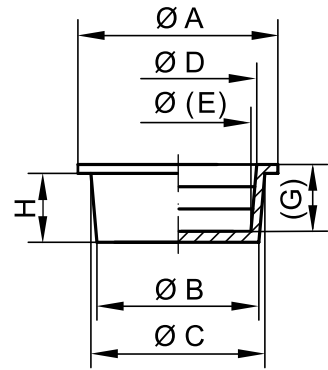
This application table is a guide only. We would be happy to send you free samples for testing.

The contact protection GPN 365 has been specially developed for HDSCS pin housings.

You might also be interested in the following products: GPN 211, GPN 360

TAPERED CLOSURES  
**GPN 600**

Free test samples:  
MK Slovenia (+386) 04 510 53 60  
MK Croatia (+385) 051 213 060  
MK Serbia (+381) 011 25 21 756



External application



Standard colour: Natural  
Material: PE-LD; PE-LLD (from GPN 600 B 915)

**±** More versatile.  
Can be used universally as plug or cap. The tapered design is ideal for accommodating tolerances.

**i** Better.  
To close off bore holes and internal threads, or to protect studs and external threads.

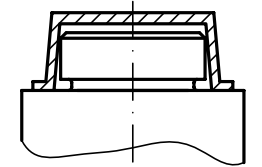
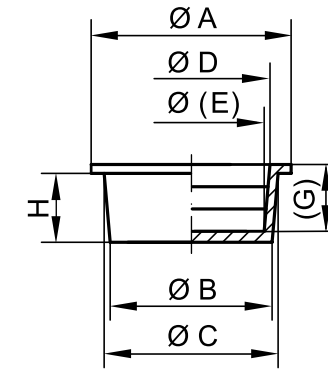
item	External application				External application			Order no.
	A	B	C	H	D	(E)	(G)	
GPN 600 B 81	11	8.1	9.2	7.2	7.8	6.6	7	600 0081 0000
GPN 600 B 98	12	9.8	11	7.2	9.6	8.4	7	600 0098 0000
GPN 600 B 106	14	10.6	11.6	7	10	8.8	6.9	600 0106 0000
GPN 600 B 114	15	11.4	12.4	7	11.2	10	6.8	600 0114 0000
GPN 600 B 133	16	13.3	14.4	7	12.8	11.6	6.8	600 0133 0000
GPN 600 B 140	17	14	15.1	7.2	13.6	12.4	6.9	600 0140 0000
GPN 600 B 146	18	14.6	15.6	7.2	14.5	13.3	6.9	600 0146 0000
GPN 600 B 153	18	15.3	16.4	7	14.8	13.6	7	600 0153 0000
GPN 600 B 160	20	16	17.3	9	16.2	14.6	8.8	600 0160 0000
GPN 600 B 174	21	17.4	18.8	9.2	18	16.4	8.8	600 0174 0000
GPN 600 B 182	22	18.2	19.6	9	18.8	17.2	8.8	600 0182 0000
GPN 600 B 187	24	18.7	20	9.2	19	17.7	8.7	600 0187 0000
GPN 600 B 198	24	19.8	21.2	8.8	19.7	18.3	8.8	600 0198 0000
GPN 600 B 203	25	20.3	22.6	14	20.8	18.4	13.8	600 0203 0000
GPN 600 B 212	26	21.2	23.3	14.2	22	19.6	14	600 0212 0000
GPN 600 B 230	28	23	25	14	24	21.6	13.8	600 0230 0000
GPN 600 B 243	30	24.3	26.4	14	25	22.6	13.6	600 0243 0000
GPN 600 B 257	30	25.7	27.8	14.2	26.8	24.4	13.8	600 0257 0000
GPN 600 B 272	32	27.2	29.3	14	27	24.6	13.8	600 0272 0000
GPN 600 B 300	35	30	32	14	30.6	28.4	13.8	600 0300 0000
GPN 600 B 320	38	32	34	14	32	29.6	14	600 0320 0000
GPN 600 B 336	40	33.6	36	14	34	31.6	14	600 0336 0000
GPN 600 B 345	41	34.5	37	14	35	32.6	14	600 0345 0000
GPN 600 B 355	42	35.5	38.1	14	35.5	33.1	14	600 0355 0000
GPN 600 B 360	42	36.2	38.4	14	36	33.6	14	600 0360 0000
GPN 600 B 379	44	37.9	40	13.8	38	35.6	13.8	600 0379 0000
GPN 600 B 385	43	38.5	41	14	39.5	37.1	14	600 0385 0000
GPN 600 B 398	46	39.8	42	14	39.5	37.1	14	600 0398 0000
GPN 600 B 413	47	41.3	43.5	14	41.5	39.1	14	600 0413 0000
GPN 600 B 439	51.5	43.9	46	13.5	42	40.2	13.6	600 0439 0000
GPN 600 B 455	52	45.5	47.5	13.5	45	43	13.6	600 0455 0000
GPN 600 B 479	54	47.9	50	13.5	46.5	44.1	13.6	600 0479 0000
GPN 600 B 498	56	49.8	51.6	13.3	48.5	46.1	13.5	600 0498 0000
GPN 600 B 505	55	50.5	53.3	14	51.3	48.8	14.2	600 0505 0000
GPN 600 B 525	58	52.5	54.9	13.5	52.5	50.6	13.5	600 0525 0000
GPN 600 B 545	60	54.5	56.2	13.5	54	51.6	13.5	600 0545 0000
GPN 600 B 555	61	55.5	58	13.6	55	52.6	13.5	600 0555 0000
GPN 600 B 570	63	57	59	13.4	56.8	54.5	13.5	600 0570 0000
GPN 600 B 585	64	58.5	60.8	13.5	58	55.6	13.5	600 0585 0000
GPN 600 B 605	66	60.5	63	13.5	60	57.6	14	600 0605 0000
GPN 600 B 613	67	61.3	63.5	13	61	58.6	13.5	600 0613 0000
GPN 600 B 625	68	62.5	64.8	13.2	62	59.6	13.5	600 0625 0000
GPN 600 B 635	69	63.5	65.7	13	63	60.1	13.5	600 0635 0000
GPN 600 B 650	71	65	67.3	13	64.5	62.3	13.3	600 0650 0000
GPN 600 B 660	72	66	67.5	13	65	62.6	13	600 0660 0000
GPN 600 B 679	73	67.9	69.5	12.8	66	64.6	13.5	600 0679 0000
GPN 600 B 698	75	69.8	71.7	13	68	66	13.5	600 0698 0000
GPN 600 B 715	77	71.5	73.4	13	70	67.6	13	600 0715 0000
GPN 600 B 728	79	72.8	74	13	70	67.6	13.5	600 0728 0000
GPN 600 B 740	85	74	76.6	17	73	69.9	17	600 0740 0000
GPN 600 B 765	87	76.5	79	16.8	76.5	73.4	17.2	600 0765 0000
GPN 600 B 775	88	77.5	80	17	76	72.9	17.2	600 0775 0000

Size in mm

» Continued on page 29

TAPERED CLOSURES  
**GPN 600**

Free test samples:  
MK Slovenia (+386) 04 510 53 60  
MK Croatia (+385) 051 213 060  
MK Serbia (+381) 011 25 21 756



External application



Standard colour: Natural  
Material: PE-LD; PE-LLD (from GPN 600 B 915)

**±** More versatile.  
Can be used universally as plug or cap. The tapered design is ideal for accommodating tolerances.

**i** Better.  
To close off bore holes and internal threads, or to protect studs and external threads.

For information regarding materials, colours, drawings and the use of our items, please refer to pages 124/125.

You might also be interested in the following products: **GPN 250, GPN 601, GPN 602, GPN 608**

« Continued from page 28

item	External application				External application			Order no.
	A	B	C	H	D	(E)	(G)	
GPN 600 B 790	90	79	82	17	78	75.4	17.2	600 0790 0000
GPN 600 B 815	92	81.5	83.6	16.5	80	76.9	17	600 0815 0000
GPN 600 B 820	89	82	86	23	83.9	79.7	23.5	600 0820 0000
GPN 600 B 840	95	84	87.1	16.5	83	79.9	17	600 0840 0000
GPN 600 B 865	97	86.5	89	17.5	86	82.9	18	600 0865 0000
GPN 600 B 890	100	89	91.5	17	89	86.5	17.5	600 0890 0000
GPN 600 B 915	102	91.5	94	17	92	88.9	17.5	600 0915 0000
GPN 600 B 940	105	94	96	17	92	90	17.5	600 0940 0000
GPN 600 B 965	107	96.5	99	17	96	92.9	17.5	600 0965 0000
GPN 600 B 990	110	99	102.5	17	99	95.9	17.5	600 0990 0000
GPN 600 B 1015	112	101.5	104	17	102	98.9	17.3	600 1015 0000
GPN 600 B 1040	115	104	106.5	17	104	100.9	17.5	600 1040 0000
GPN 600 B 1065	117	106.5	109	17	106	102.9	17.2	600 1065 0000
GPN 600 B 1090	120	109	111	17	108	105	17.5	600 1090 0000
GPN 600 B 1120	123	112	114.5	17	112.5	109.4	17	600 1120 0000
GPN 600 B 1140	125	114	117	16.6	114.5	111.4	17.2	600 1140 0000
GPN 600 B 1143	124.5	114.3	119.2	28	117.1	112.1	28.7	600 1143 0000
GPN 600 B 1190	130	119	123	23	120.2	116.1	23	600 1190 0000
GPN 600 B 1240	134	124	128	23	123	119.1	23	600 1240 0000
GPN 600 B 1275	137.6	127.5	130.6	23	127.6	123.6	22.5	600 1275 0000
GPN 600 B 1290	140	129	133	23	130.2	126.1	23.5	600 1290 0000
GPN 600 B 1330	143	134.5	137	23	133	129	22.5	600 1330 0000
GPN 600 B 1390	149	139	143	23	139	135	23	600 1390 0000
GPN 600 B 1468	159.5	146.8	152.6	33	149.9	144	33.5	600 1468 0000
GPN 600 B 1490	159	149	153	23	148	144.1	23.3	600 1490 0000
GPN 600 B 1535	163.6	153.5	157.5	23	153.6	149.6	23	600 1535 0000
GPN 600 B 1590	169	159	162	23	158	154	23	600 1590 0000
GPN 600 B 1600	170	160	164	23	160	156	23	600 1600 0000
GPN 600 B 1690	179	169	172	23	168	164	23	600 1690 0000
GPN 600 B 1740	184	174	177	23	173	169	22.5	600 1740 0000
GPN 600 B 1790	189	179	182	23	178	174	23	600 1790 0000
GPN 600 B 1815	192	181.5	184.5	23	180.5	176.5	23	600 1815 0000
GPN 600 B 1836	199.5	183.6	190.6	33	187.9	182	33.8	600 1836 0000
GPN 600 B 1990	209	199	202	22.5	198	194	22.5	600 1990 0000
GPN 600 B 2020	212	202	205	23	202.1	198.1	23	600 2020 0000
GPN 600 B 2030	213	203	205	23	202	199	23	600 2030 0000
GPN 600 B 2060	216	206	210.6	23.5	206	201.6	23.5	600 2060 0000
GPN 600 B 2180	235	218	222	22.5	217.4	213.5	22.5	600 2180 0000
GPN 600 B 2250*	242	225	229	23.5	225.4	221.3	23	600 2250 0000
GPN 600 B 2312	249.5	231.2	238.2	33	235.6	228.6	33.5	600 2312 0000
GPN 600 B 2490	267	249	252	22.5	248	244.1	22.5	600 2490 0000
GPN 600 B 2530	265	253	258	18	253	249.2	18	600 2530 0000
GPN 600 B 2934	314	293.4	300.2	32.5	296.7	289.8	33	600 2934 0000
GPN 600 B 2990	315	299	304	22.5	298	294.1	22.5	600 2990 0000
GPN 600 B 3080	326	308	313	21.8	308	303.4	21.8	600 3080 0000
GPN 600 B 3110	329	311	316	22	311	306.4	21.7	600 3110 0000
GPN 600 B 3380	358	338	343	22	338	333.4	21.8	600 3380 0000
GPN 600 B 3719*	399	371.9	381	32.5	377.7	368.4	32.8	600 3719 0000
GPN 600 B 3980	415	398	406	30	399	392.7	29.8	600 3980 0000
GPN 600 B 4350	455	435	443	30	437	430.7	30	600 4350 0000
GPN 600 B 4654	499	465.4	476.7	32	472.8	461.3	33	600 4654 0000
GPN 600 B 4840	506	484	491	30	486	479.7	30	600 4840 0000

Size in mm

»

TAPERED CLOSURES

# GPN 600

Free test samples:  
MK Slovenia (+386) 04 510 53 60  
MK Croatia (+385) 051 213 060  
MK Serbia (+381) 011 25 21 756



## Application Guide Data for Exterior Use

Metric threads									
Standard thread	Fine thread			Pipe thread	item				
M 7					GPN 600 B 81				
M 9	M 9 × 1				GPN 600 B 98				
	M 10.5 × 1				GPN 600 B 114				
M 12	M 12 × 1	M 12 × 1.5			GPN 600 B 133				
	M 13 × 1	M 13 × 1.5			GPN 600 B 140				
M 14	M 14 × 1	M 14 × 1.5			GPN 600 B 146				
	M 15 × 1	M 15 × 1.5			GPN 600 B 160				
	M 17 × 1				GPN 600 B 174				
M 18	M 18 × 1	M 18 × 1.5	M 18 × 2		GPN 600 B 182				
	M 19 × 1	M 19 × 1.5	M 19 × 2		GPN 600 B 203				
				1/2	GPN 600 B 212				
M 22	M 22 × 1	M 22 × 1.5	M 22 × 2		GPN 600 B 230				
M 24	M 24 × 1	M 24 × 1.5	M 24 × 2		GPN 600 B 243				
	M 25 × 1	M 25 × 1.5	M 25 × 2		GPN 600 B 257				
	M 26 × 1	M 26 × 1.5	M 26 × 2		GPN 600 B 272				
M 30	M 30 × 1	M 30 × 1.5	M 30 × 2	M 30 × 3	GPN 600 B 320				
	M 32 × 1	M 32 × 1.5	M 32 × 2	M 32 × 3	GPN 600 B 336				
M 33	M 33 × 1	M 33 × 1.5	M 33 × 2	M 33 × 3	GPN 600 B 345				
	M 34 × 1	M 34 × 1.5	M 34 × 2	M 34 × 3	GPN 600 B 355				
		M 35 × 1.5			GPN 600 B 360				
	M 38 × 1	M 38 × 1.5	M 38 × 2	M 38 × 3	GPN 600 B 385				
	M 38 × 1	M 38 × 1.5	M 38 × 2	M 38 × 3	GPN 600 B 398				
	M 40 × 1	M 40 × 1.5	M 40 × 2	M 40 × 3	GPN 600 B 413				
M 45	M 45 × 1	M 45 × 1.5	M 45 × 2	M 45 × 3	GPN 600 B 479				
				M 45 × 4	GPN 600 B 498				
	M 50 × 1	M 50 × 1.5	M 50 × 2	M 50 × 3	GPN 600 B 505				
	M 50 × 1	M 50 × 1.5	M 50 × 2	M 50 × 3	GPN 600 B 525				
					GPN 600 B 555				
M 60	M 60 × 1	M 60 × 1.5	M 60 × 2	M 60 × 3	GPN 600 B 613				
M 64	M 64 × 1	M 64 × 1.5	M 64 × 2	M 64 × 3	GPN 600 B 660				
				M 64 × 4	GPN 600 B 679				
	M 75 × 1	M 75 × 1.5	M 75 × 2	M 75 × 3	GPN 600 B 765				
	M 78 × 1	M 78 × 1.5	M 78 × 2	M 78 × 3	GPN 600 B 815				
				M 78 × 4	GPN 600 B 840				
					GPN 600 B 915				
	M 90 × 1.5	M 90 × 2	M 90 × 3	M 90 × 4	M 90 × 6	GPN 600 B 915			
	M 100 × 1.5	M 100 × 2	M 100 × 3	M 100 × 4	M 100 × 6	GPN 600 B 1015			
	M 102 × 1.5	M 102 × 2	M 102 × 3	M 102 × 4		GPN 600 B 1040			
	M 110 × 1.5	M 110 × 2	M 110 × 3	M 110 × 4	M 110 × 6	GPN 600 B 1120			
	M 112 × 1.5	M 112 × 2	M 112 × 3	M 112 × 4		GPN 600 B 1140			
	M 115 × 1.5	M 115 × 2	M 115 × 3	M 115 × 4	M 115 × 6	GPN 600 B 1143			
	M 118 × 1.5	M 118 × 2	M 118 × 3	M 118 × 4		GPN 600 B 1190			
	M 120 × 1.5	M 120 × 2	M 120 × 3	M 120 × 4	M 120 × 6	GPN 600 B 1240			
	M 125 × 1.5	M 125 × 2	M 125 × 3	M 125 × 4	M 125 × 6	GPN 600 B 1275			
	M 128 × 1.5	M 128 × 2	M 128 × 3	M 128 × 4		GPN 600 B 1290			
	M 130 × 1.5	M 130 × 2	M 130 × 3	M 130 × 4	M 130 × 6	GPN 600 B 1330			
	M 145 × 1.5	M 145 × 2	M 145 × 3	M 145 × 4	M 145 × 6	GPN 600 B 1468			
	M 145 × 1.5	M 145 × 2	M 145 × 3	M 145 × 4	M 145 × 6	GPN 600 B 1490			
	M 150 × 1.5	M 150 × 2	M 150 × 3	M 150 × 4	M 150 × 6	GPN 600 B 1535			
	M 155 × 1.5	M 155 × 2	M 155 × 3	M 155 × 4	M 155 × 6	GPN 600 B 1590			
	M 165 × 1.5	M 165 × 2	M 165 × 3	M 165 × 4	M 165 × 6	GPN 600 B 1690			
	M 170 × 1.5	M 170 × 2	M 170 × 3	M 170 × 4	M 170 × 6	GPN 600 B 1740			
	M 175 × 1.5	M 175 × 2	M 175 × 3	M 175 × 4	M 175 × 6	GPN 600 B 1790			
	M 178 × 1.5	M 178 × 2	M 178 × 3			GPN 600 B 1815			
	M 182 × 1.5	M 182 × 2	M 182 × 3	M 182 × 4		GPN 600 B 1836			
	M 195 × 1.5	M 195 × 2	M 195 × 3	M 195 × 4	M 195 × 6	GPN 600 B 1990			
	M 200 × 1.5	M 200 × 2	M 200 × 3	M 200 × 4	M 200 × 6	GPN 600 B 2020			
	M 200 × 1.5	M 200 × 2	M 200 × 3	M 200 × 4	M 200 × 6	GPN 600 B 2030			
	M 215 × 1.5	M 215 × 2	M 215 × 3	M 215 × 4	M 215 × 6	GPN 600 B 2180			
	M 230 × 1.5	M 230 × 2	M 230 × 3	M 230 × 4	M 230 × 6	GPN 600 B 2312			
	M 245 × 1.5	M 245 × 2	M 245 × 3	M 245 × 4	M 245 × 6	GPN 600 B 2490			
	M 250 × 1.5	M 250 × 2	M 250 × 3	M 250 × 4	M 250 × 6	GPN 600 B 2530			
	M 292 × 1.5	M 292 × 2		M 292 × 4		GPN 600 B 2934			
	M 295 × 1.5	M 295 × 2		M 295 × 4	M 295 × 6	GPN 600 B 2990			

« Dimensions on pages 28/29

This application table is a guide only. We would be happy to send you free samples for testing. For bolts, pins and pipe ends, please select according to functional dimensions D and E.

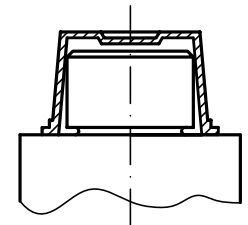
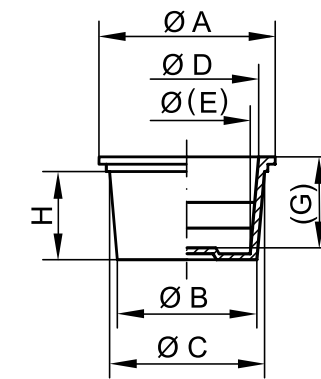
For information regarding materials, colours, drawings and the use of our items, please refer to pages 124/125.

You might also be interested in the following products: GPN 610, GPN 615, GPN 620

UNIVERSAL PROTECTION

# GPN 610

Watch the film now:  
poeppelmann.com/en/gpn610



External application



Standard colour: Yellow  
Material: PE-LD

**+** **More versatile.**  
Can be used universally as plug or cap. The tapered design is ideal for accommodating tolerances.

**VDA Band 19** **Cleaner.**  
Upon request, we can manufacture in the specially designed cleanroom in accordance with VDA Volume 19 and ISO 16232. For further information, please refer to page 129.

**i** **Better.**  
To close off bore holes and internal threads, or to protect studs and external threads.

item	A	B	C	H	External application			Order no.
					D	(E)	(G)	
GPN 610 U 1	10	4.4	6.2	10	4.6	2.8	10.8	610 0001 0000
GPN 610 U 2	11	6	7.8	10	6.2	4.4	10.8	610 0002 0000
GPN 610 U 3	13	7.6	9.4	10	7.8	6	10	610 0003 0000
GPN 610 U 4	14	8.4	10.2	10	8.6	6.8	10	610 0004 0000
GPN 610 U 5	14	9.2	11	10	9.3	7.5	10	610 0005 0000
GPN 610 U 6	15	9.9	11.7	10	10.1	8.3	10	610 0006 0000
GPN 610 U 7	16	10.6	12.4	10	10.8	9	10	610 0007 0000
GPN 610 U 8	17	11.3	13.1	10	11.2	9.5	10	610 0008 0000
GPN 610 U 9	18	12.2	14.1	12	12.5	10.4	12	610 0009 0000
GPN 610 U 10	18	12.5	14.6	12	13.3	11.2	12	610 0010 0000
GPN 610 U 11	19	13.5	15.6	12	14	11.9	12	610 0011 0000
GPN 610 U 12	19	14	16.1	12	14.5	12.4	12	610 0012 0000
GPN 610 U 13	21	15	17	13	15.5	13.2	13	610 0013 0000
GPN 610 U 14	22	16.3	18.6	13	17	14.7	13	610 0014 0000
GPN 610 U 15	22	17.3	19.4	13	17.6	15.5	13	610 0015 0000
GPN 610 U 16	24	17.5	20.1	15	18.5	15.9	15	610 0016 0000
GPN 610 U 17	25	18.4	21	15	19.4	16.8	15	610 0017 0000
GPN 610 U 18	25	19	21.6	15	20	17.4	15	610 0018 0000
GPN 610 U 19	27	20.4	23.2	16	21.6	18.8	16	610 0019 0000
GPN 610 U 20	28	20.7	23.5	16	21.9	19.1	16	610 0020 0000
GPN 610 U 21	29	22	24.8	16	23	20.4	16	610 0021 0000
GPN 610 U 22	30	23.2	26.3	18	24.4	21.2	18	610 0022 0000
GPN 610 U 23	32	24.5	27.8	19	26.2	22.9	19	610 0023 0000
GPN 610 U 24	33	25.5	29.2	19	27.7	23.7	19	610 0024 0000
GPN 610 U 241	33	26.4	30.4	19	28.9	24.9	19	610 0241 0000
GPN 610 U 25	35	27.8	31.1	19	29.5	26.2	19	610 0025 0000
GPN 610 U 26	37	29.8	32.6	16	31.1	28.3	16	610 0026 0000
GPN 610 U 27	38	31.4	35.1	21	33.4	29.7	21	610 0027 0000
GPN 610 U 28	41	33.3	37.1	22	35.5	31.7	22	610 0028 0000
GPN 610 U 29	45	36.7	40.5	22	39	35.2	22	610 0029 0000
GPN 610 U 291	45	38.4	40.7	13	39.2	36.9	13	610 0291 0000
GPN 610 U 30	48	38.2	43	23	41.4	36.6	23	610 0030 0000
GPN 610 U 31	48	39.6	42.9	19	41.3	38	19	610 0031 0000
GPN 610 U 32	49	41.4	44.7	19	43	39.7	19	610 0032 0000
GPN 610 U 33	51	44.4	47.7	19	46.1	42.8	19	610 0033 0000
GPN 610 U 34	54	45.2	49.6	25	48	43.6	25	610 0034 0000
GPN 610 U 35	55	46.6	51	25	48.7	45.2	25	610 0035 0000
GPN 610 U 36	62	52.5	56.9	25	55.2	50.8	25	610 0036 0000
GPN 610 U 37	65	54	59.3	25	57.8	52.5	25	610 0037 0000
GPN 610 U 38	65	54.2	58.6	25	57	52.6	25	610 0038 0000
GPN 610 U 39	67	58.4	62.8	25	61.1	56.7	25	610 0039 0000
GPN 610 U 40	71	60.7	67.1	29	64.3	57.5	28.5	610 0040 0000
GPN 610 U 41	75	67.1	70.4	19	68.7	65.4	19	610 0041 0000
GPN 610 U 42	83	72.4	75.7	19	74.1	70.8	19	610 0042 0000
GPN 610 U 43	92	84.5	87.8	19	85	8		

UNIVERSAL PROTECTION

# GPN 610

 MK Slovenia  
 MK Croatia  
 MK Serbia

**Free test samples:**  
 (+386) 04 510 53 60  
 (+385) 051 213 060  
 (+381) 011 25 21 756


## Application Guide Data for Exterior Use

Metric threads							
Standard thread	Fine thread			Pipe thread	item		
M 4	M 4 × 0.5				GPN 610 U 1		
M 5	M 5 × 0.5				GPN 610 U 2		
M 7					GPN 610 U 3		
M 8	M 7.5 × 1	M 8 × 1		1/16	GPN 610 U 4		
	M 8.5 × 1				GPN 610 U 5		
M 9	M 9 × 1				GPN 610 U 6		
M 10	M 10 × 1			1/8	GPN 610 U 7		
	M 10.5 × 1				GPN 610 U 8		
M 12	M 12 × 1	M 12 × 1.5			GPN 610 U 9		
	M 12.5 × 1				GPN 610 U 10		
	M 13 × 1			1/4	GPN 610 U 11		
	M 13.5 × 1				GPN 610 U 12		
M 14	M 14 × 1				GPN 610 U 13		
M 16	M 16 × 1				GPN 610 U 14		
				3/8	GPN 610 U 15		
					GPN 610 U 16		
M 18	M 17 × 1	M 17 × 1.5	M 17 × 2		GPN 610 U 17		
	M 18 × 1				GPN 610 U 18		
	M 19 × 1				GPN 610 U 19		
M 20	M 20 × 1				GPN 610 U 20		
	M 21 × 1			1/2	GPN 610 U 21		
M 22	M 22 × 1				GPN 610 U 22		
	M 23 × 1			5/8	GPN 610 U 23		
	M 25 × 1				GPN 610 U 24		
	M 26 × 1			3/4	GPN 610 U 25		
M 27	M 27 × 1				GPN 610 U 26		
	M 28 × 1				GPN 610 U 27		
	M 28 × 1.5				GPN 610 U 28		
M 30	M 30 × 1	M 30 × 1.5	M 30 × 2	7/8	GPN 610 U 29		
	M 32 × 1				GPN 610 U 30		
	M 34 × 1			1	GPN 610 U 31		
	M 37 × 1			1 1/8	GPN 610 U 32		
	M 38 × 1				GPN 610 U 33		
	M 39 × 1				GPN 610 U 34		
M 39	M 40 × 1				GPN 610 U 35		
	M 42 × 1			1 1/4	GPN 610 U 36		
M 45	M 45 × 1			1 3/8	GPN 610 U 37		
				1 1/2	GPN 610 U 38		
				1 3/4	GPN 610 U 39		
M 52	M 52 × 1	M 52 × 1.5	M 52 × 2		GPN 610 U 40		
	M 55 × 1				GPN 610 U 41		
	M 55 × 1.5				GPN 610 U 42		
	M 55 × 2						
	M 55 × 3						
	M 55 × 4						
	M 60 × 1			2			
	M 60 × 1.5						
M 62	M 62 × 1						
	M 62 × 1.5						
	M 62 × 2						
	M 62 × 3						
	M 62 × 4						
	M 72 × 1						
	M 72 × 1.5						
	M 72 × 2						
	M 72 × 3						
	M 72 × 4						

» Dimensions on page 31

This application table is a guide only. We would be happy to send you free samples for testing. For bolts, pins and pipe ends, please select according to functional dimensions D and E.

For information regarding materials, colours, drawings and the use of our items, please refer to pages 124/125.

You might also be interested in the following products: GPN 600, GPN 608, GPN 615, GPN 620

UNIVERSAL PROTECTION

# GPN 620

 MK Slovenia  
 MK Croatia  
 MK Serbia

**Free test samples:**  
 (+386) 04 510 53 60  
 (+385) 051 213 060  
 (+381) 011 25 21 756


Standard colour: Yellow  
 Material: PE-LD



### More versatile.

Can be used as a plug or cap for a wide range of applications. Tapered design for accommodating tolerances.



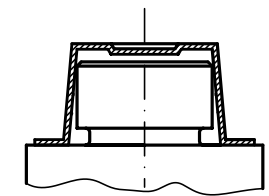
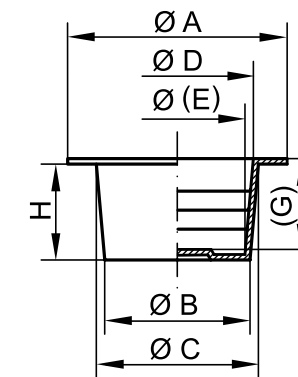
### Cleaner.

Upon request, we can manufacture in the specially designed cleanroom in accordance with VDA Volume 19 and ISO 16232. For further information, please refer to page 129.



### Better.

Same design as GPN 610 but with larger cover flange.



External application

### External application

item	A	B	C	H	External application			Order no.
					D	(E)	(G)	
GPN 620 U 1 B	22	4.4	6.3	11	4.6	2.7	11.2	620 0001 0000
GPN 620 U 2 B	23	6	7.9	11	6.1	4.3	11.2	620 0002 0000
GPN 620 U 3 B	25	7.6	9.5	11	7.8	5.9	11	620 0003 0000
GPN 620 U 4 B	26	8.4	10.3	11	8.6	6.8	10	620 0004 0000
GPN 620 U 5 B	26	9.2	11	11	9.3	7.5	10	620 0005 0000
GPN 620 U 6 B	27	9.9	11.7	11	10	8.3	10	620 0006 0000
GPN 620 U 7 B	28	10.6	12.4	11	10.6	8.8	10	620 0007 0000
GPN 620 U 8 B	29	11.3	13.2	11	11.6	9.8	10	620 0008 0000
GPN 620 U 9 B	30	12	14.2	13	12.5	10.4	12	620 0009 0000
GPN 620 U 10 B	30	12.5	14.6	13	13.1	11.2	12	620 0010 0000
GPN 620 U 11 B	31	13.8	15.9	13	14.1	12	12	620 0011 0000
GPN 620 U 12 B	31	14	16.4	13	14.5	12.2	12	620 0012 0000
GPN 620 U 13 B	33	15.4	17.2	14	15.5	13.4	13	620 0013 0000
GPN 620 U 14 B	34	16.5	18.8	14	17.1	14.8	13	620 0014 0000
GPN 620 U 15 B	34	17.4	19.6	14	17.8	15.6	13	620 0015 0000
GPN 620 U 16 B	36	17.7	20.3	16	18.6	16	15	620 0016 0000
GPN 620 U 17 B	37	18.6	21.2	16	19.5	16.9	15	620 0017 0000
GPN 620 U 18 B	37	19.3	21.9	16	20.1	17.6	15	620 0018 0000
GPN 620 U 19 B	39	20.8	23.5	17	21.8	18.9	16	620 0019 0000
GPN 620 U 20 B	40	21.2	24	17	22.1	19.3	16	620 0020 0000
GPN 620 U 21 B	41	22.3	25.2	17	23.4	20.4	16	620 0021 0000
GPN 620 U 22 B	42	23.7	27	19	24.1	20.9	18	620 0022 0000
GPN 620 U 23 B	44	25	28.3	20	26.4	23	19	620 0023 0000
GPN 620 U 24 B	45	26.4	29.5	20	27.7	24.7	19	620 0024 0000
GPN 620 U 25 B	47	28.3	31.4	20	29.7	26.4	19	620 0025 0000
GPN 620 U 26 B	49	29.6	32.9	20	31.2	27.9	19	620 0026 0000
GPN 620 U 27 B	50	32	35.5	22	33.6	29.8	21	620 0027 0000
GPN 620 U 28 B	52	33.8	37.8	23	36	31.9	22	620 0028 0000
GPN 620 U 29 B	54	36.4	40.2	22	38.4	34.5	21	620 0029 0000
GPN 620 U 31 B	60	39.2	43.1	23	41.3	37.2	22	620 0031 0000
GPN 620 U 32 B	70	41.3	44.8	20	43	39.5	19	620 0032 0000
GPN 620 U 33 B	64	44.4	47.9	20	46.1	42.6	19	620 0033 0000
GPN 620 U 351 B	66	50.5	53.1	14	51.1	48.8	13.7	620 0351 0000
GPN 620 U 36 B	74.3	52.7	56.6	25	54.6	51	24.7	620 0036 0000
GPN 620 U 401 B	85	62.5	67.5	20.5	65.5	60.4	20.5	620 0401 0000

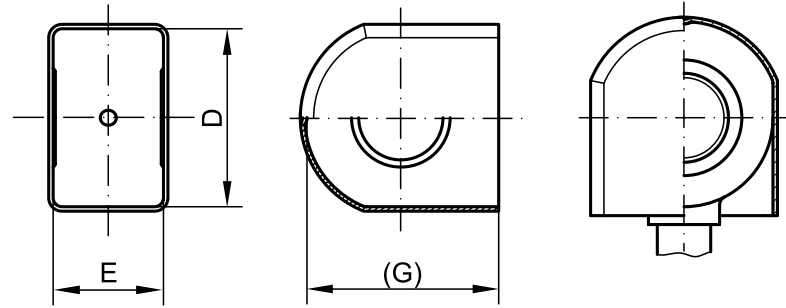
Size in mm

For information regarding materials, colours, drawings and the use of our items, please refer to pages 124/125.

You might also be interested in the following products: GPN 608, GPN 610, GPN 615

PROTECTIVE COVERS

# GPN 695



**Free test samples:**  
 MK Slovenia (+386) 04 510 53 60  
 MK Croatia (+385) 051 213 060  
 MK Serbia (+381) 011 25 21 756



item	Suitable for ring connections	Dimensions			Order no.
	DIN 7642 B/E pipe outside diameter	D	E	(G)	
GPN 695 BE 6	6	17	9.8	19.6	695 0006 0000
GPN 695 BE 8	8	20	11.6	23.5	695 0008 0000
GPN 695 BE 10	10	24	13.8	27.6	695 0010 0000
GPN 695 BE 12	12	28	15.8	31.2	695 0012 0000
GPN 695 BE 15	15	32.2	19.6	35.3	695 0015 0000
GPN 695 BE 18	18	40	24.8	43	695 0018 0000

Size in mm

For information regarding materials, colours, drawings and the use of our items, please refer to pages 124/125.

You might also be interested in the following product: **GPN 211**

**Standard colour:** Yellow  
**Material:** PE-HD


**Better fit.**

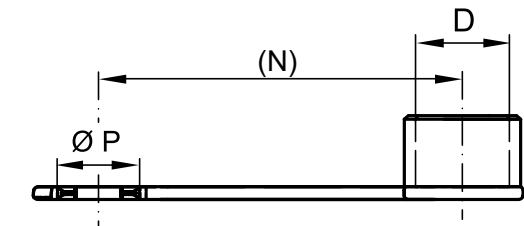
Suitable for ring fittings pursuant to DIN 7642 Shape B and E.


**Better.**

The internal clamping ring is centered in the ring opening of the hollow screw, thereby preventing an ingress of dirt. Also suitable for non-standard ring-type nipples.

PROTECTIVE CAPS WITH TAB

# GPN 696



**Free test samples:**  
 MK Slovenia (+386) 04 510 53 60  
 MK Croatia (+385) 051 213 060  
 MK Serbia (+381) 011 25 21 756



item	Suitable for External diameter	Dimensions		Order no.
	D	(N)	P	
GPN 696 M 10 × 1	9.5	45.6	8.5	696 0010 0000
GPN 696 M 12 × 1	11.5	44.6	10.3	696 0012 0000
GPN 696 M 14 × 1.5	13.5	47.2	12.5	696 0014 0000
GPN 696 M 16 × 1.5	15.5	43.7	14.3	696 0016 0000

Size in mm

For more information about the application of our items, please refer to pages 124/125.

You might also be interested in the following products: **GPN 201, GPN 211, GPN 800**

**Standard colour:** Yellow  
**Material:** TPE (plasticiser-free)


**Saves time.**

Fast assembly thanks to flexible material and fast removal: simply pull the tab – the predetermined breaking point facilitates quick removal.


**Higher temperature resistance.**

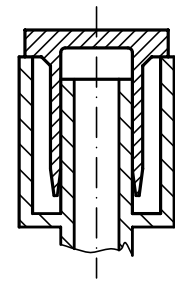
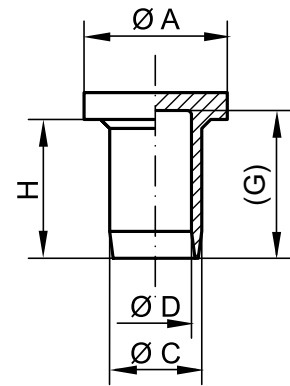
Heat resistant to 150 °C. More details: page 125, "Physical properties".


**Better.**

Suitable for hollow screws.

CLOSURES

# GPN 900



External application

Free test samples:  
MK Slovenia (+386) 04 510 53 60  
MK Croatia (+385) 051 213 060  
MK Serbia (+381) 011 25 21 756



Standard colour: Natural  
Material: PE-LD; PE-LLD (GPN 900 A 58)

**+** **More versatile.**  
Cylindrical closure – can be used universally as a plug or cap.

**VDA Band 19** **Cleaner.**  
Upon request, we can manufacture in the specially designed cleanroom in accordance with VDA Volume 19 and ISO 16232. For further information, please refer to page 129.

item	External application					
	A	C	H	D	(G)	Order no.
GPN 900 A 7	13	7.2	9	5.2	10.5	900 0070 0000
GPN 900 A 8.5	12	8.3	16	6	17	900 0085 0000
GPN 900 A 8.9	12	8.9	9.5	5.8	10.5	900 0089 0000
GPN 900 A 9	11	9	9.5	7.4	10.5	900 0090 0000
GPN 900 A 10.5	16	10.3	15.5	8	16.5	900 0105 0000
GPN 900 A 11	16	10.8	15.8	8	17	900 0110 0000
GPN 900 A 12	18	12	10	9.8	11.2	900 0120 0000
GPN 900 A 12.5	20	12.4	16.2	10	17.6	900 0125 0000
GPN 900 A 12.5 x 9.5	15	12.8	9.5	11.3	10.5	900 4315 0000
GPN 900 A 13.5	18	13.4	10	11.5	10	900 0135 0000
GPN 900 A 14	17	14.7	9.5	11.7	10.5	900 0140 0000
GPN 900 A 14.5	20	14.5	20.8	11.5	21.1	900 0145 0000
GPN 900 A 15	20	15.2	12.7	12.8	13.7	900 0150 0000
GPN 900 A 16.5	22	16.6	21	13.5	22	900 0165 0000
GPN 900 A 16.5 x 9	24	16.6	9	13.5	10.5	900 1659 0000
GPN 900 A 16.9	20	17	9.5	14.5	10.5	900 0169 0000
GPN 900 A 17	20	17	24	14.5	25.5	900 0170 0000
GPN 900 A 18.5	28	18.4	25	15.5	26	900 0185 0000
GPN 900 A 18.5 x 21	21	18.4	25	15.5	26	900 1852 0000
GPN 900 A 19	25	18.9	10.5	16.5	11	900 0190 0000
GPN 900 A 19.5	21.5	19.3	9.5	17.4	10.5	900 0195 0000
GPN 900 A 20	28	20.2	21	17.8	21.5	900 0200 0000
GPN 900 A 21	22	20.7	9.5	17.7	10.5	900 0210 0000
GPN 900 A 21 x 16	22.5	21	16	18.6	16	900 2116 0000
GPN 900 A 22.5	25	22.5	12	19.7	12.5	900 0225 0000
GPN 900 A 24	28	23.9	29	20.3	29.5	900 0240 0000
GPN 900 A 24.5	32	24.5	10	21.2	10.5	900 0245 0000
GPN 900 A 24.5 x 25	26	24.6	25	21.5	26	900 4322 0000
GPN 900 A 24.7	29	24.7	31.5	23.1	32	900 0247 0000
GPN 900 A 25.5	28	25.5	17	22.3	18.5	900 0255 0000
GPN 900 A 27	31	27	20.5	24.8	21.8	900 0270 0000
GPN 900 A 28.5	32	28.4	9.5	26	10	900 0285 0000
GPN 900 A 30	33	30	19	27.3	20.5	900 0300 0000
GPN 900 A 31	34	31	9.5	28	10.5	900 0310 0000
GPN 900 A 32	36	32.5	21	29.6	22.5	900 0320 0000
GPN 900 A 33	37	32.8	19	29.4	20	900 0330 0000
GPN 900 A 39	47	38.8	21	35.4	22	900 0390 0000
GPN 900 A 41	43	40.5	9.5	37.5	11	900 0410 0000
GPN 900 A 45	50	44.8	19	41.4	20	900 0450 0000
GPN 900 A 51	53.5	51	24	48.3	25.5	900 0510 0000
GPN 900 A 52	54.5	52	9.5	49	10.5	900 0520 0000
GPN 900 A 58	61	58	12.5	55	12.5	900 0580 0000
GPN 900 A 64	69	64	29	61.5	30.5	900 0640 0000
GPN 900 A 69	72	69.5	29	66.5	29.5	900 0690 0000
GPN 900 A 76	80	76	20	70	20.5	900 0760 0000

Size in mm

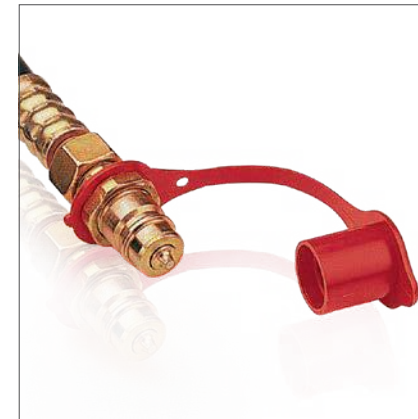
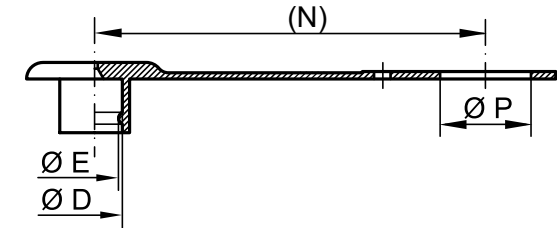
For information regarding materials, colours, drawings and the use of our items, please refer to pages 124/125.

You might also be interested in the following products: GPN 200, GPN 211, GPN 241, GPN 350

PROTECTIVE DUST CAPS

# GPN 920 Type B

Free test samples:  
MK Slovenia (+386) 04 510 53 60  
MK Croatia (+385) 051 213 060  
MK Serbia (+381) 011 25 21 756



Standard colour: Red  
Material: PE-LD

**DIN ISO** **Better fit.**  
Protects open plug-in couplings from damage and contamination.

**Seals better.**  
Provides limited sealing action against an ingress or outflow of fluids.

**i** **Better.**  
Self-retaining design due to integral strap.

item	Suitable for external		Dimensions				Order no.
	Nominal size	D	E	(N)	P		
GPN 920 / 9997	1/4	12.5	11.5	125	22	920 9997 0000	
GPN 920 / 9995	3/8	18.5	16	125	22	920 9995 0000	
GPN 920 / 4984	1/2	24	23	135	29	920 4984 0000	
GPN 920 / 5371	1/2	24	23	135	27	920 5371 0000	

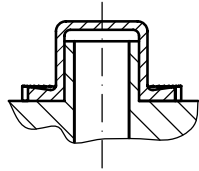
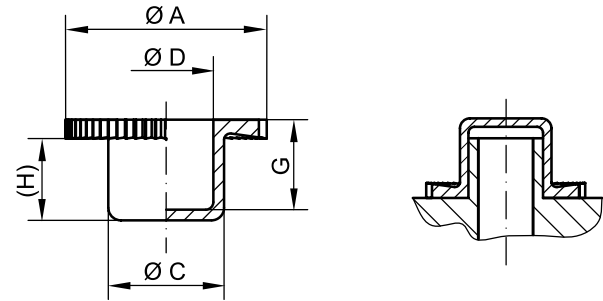
Size in mm

For information regarding materials, colours, drawings and the use of our items, please refer to pages 124/125.

You might also be interested in the following products:  
GPN 920 Type A, GPN 930 Type A, GPN 930 Type B

## PROTECTIVE PLUGS

# GPN 950



External application



Standard colour: Natural

Material: PE-LD

**More versatile.**

Can be used as cap or plug.

**Cleaner.**

Upon request, we can manufacture in the specially designed cleanroom in accordance with VDA Volume 19 and ISO 16232. For further information, please refer to page 129.

**Better.**

With knurled collar. Suitable for bore holes, internal and external threads, or pipe ends.

MK Slovenia  
MK Croatia  
MK Serbia

## Free test samples:

(+386) 04 510 53 60  
(+385) 051 213 060  
(+381) 011 25 21 756

item	External application					
	A	C	(H)	D	G	Order no.
GPN 950 / 0054	10	5.4	6	3.9	7.3	950 0054 0000
GPN 950 / 0067	10.5	6.7	7	5.2	7.8	950 0067 0000
GPN 950 / 0072	14	7.2	6.5	5.7	7.2	950 0072 0000
GPN 950 / 0092	16	9.6	6.5	7.7	7.2	950 0092 0000
GPN 950 / 0105	20	10.5	5	8.4	6.2	950 0105 0000
GPN 950 / 0106	18	10.6	8.5	9	9.2	950 0106 0000
GPN 950 / 0126	20	12.6	8	11	9.2	950 0126 0000
GPN 950 / 0131	22	13.1	8	11.5	9.2	950 0131 0000
GPN 950 / 0147	22	14.7	10	13.1	11.2	950 0147 0000
GPN 950 / 0157	20	15.7	8	13.5	8.9	950 0157 0000
GPN 950 / 0168	24	16.8	8.5	15.5	9.2	950 0168 0000
GPN 950 / 0180	24	18	7.2	16	8	950 0180 0000
GPN 950 / 0188	28	18.8	10	17.5	11.2	950 0188 0000
GPN 950 / 0193	28	19.3	10	17.7	11.2	950 0193 0000
GPN 950 / 0208	30	20.8	10	19.5	11.2	950 0208 0000
GPN 950 / 0229	31.8	22.9	10	21.7	11.4	950 0229 0000
GPN 950 / 0250	33.5	25.1	10	23.6	11.3	950 0250 0000

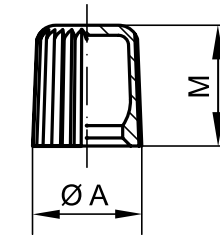
Size in mm

For information regarding materials, colours, drawings and the use of our items, please refer to pages 124/125.

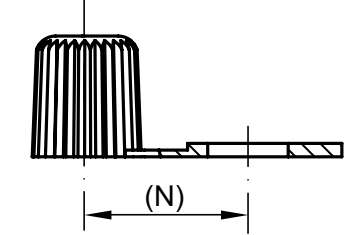
You might also be interested in the following products: GPN 200 Type A, GPN 200 Type B

## GREASE NIPPLE CAPS

# GPN 980



Type A



Type B



Standard colours: Yellow, Red, Green, Black

Material: PE-LLD

**Better fit.**

Protection for grease nipples in accordance with DIN EN 71412.

**Better.**For marking the lubrication point and to protect the tapered head. Easy-to-grip knurled outer wall.  
Type A: without tab  
Type B: with tabMK Slovenia  
MK Croatia  
MK Serbia

## Free test samples:

(+386) 04 510 53 60  
(+385) 051 213 060  
(+381) 011 25 21 756

## Type A (without tab)

item	Dimensions			Colour	Order no.
	A	M			
GPN 980 / 0100	8.2	9		Yellow	980 0100 0000
GPN 980 / 0101	8.2	9		Red	980 0101 0000
GPN 980 / 0102	8.2	9		Green	980 0102 0000
GPN 980 / 0103	8.2	9		Black	980 0103 0000

## Type B (with tab)

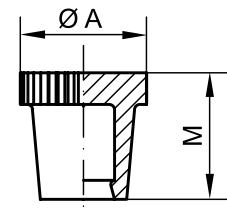
item	Dimensions			Colour	Order no.
	A	M	(N)		
GPN 980 / 0200	8.2	9	12	Yellow	980 0200 0000
GPN 980 / 0201	8.2	9	12	Red	980 0201 0000
GPN 980 / 0202	8.2	9	12	Green	980 0202 0000
GPN 980 / 0203	8.2	9	12	Black	980 0203 0000

Size in mm

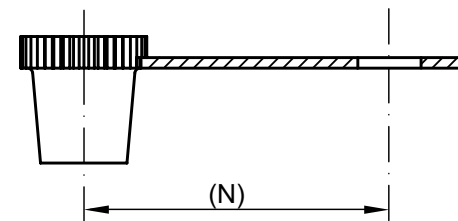
For information regarding materials, colours, drawings and the use of our items, please refer to pages 124/125.

You might also be interested in the following product: GPN 985

GREASE NIPPLE CAPS  
**GPN 985**



Type A



Type B

**Type A (without tab)**

item	Dimensions			Colour	Order no.
	A	M	(N)		
GPN 985 / 0100	12	12	0	Yellow	985 0100 0000
GPN 985 / 0101	12	12	0	Red	985 0101 0000
GPN 985 / 0102	12	12	0	Green	985 0102 0000
GPN 985 / 0103	12	12	0	Black	985 0103 0000

**Type B (with tab)**

item	Dimensions			Colour	Order no.
	A	M	(N)		
GPN 985 / 0200	12	12	29	Yellow	985 0200 0000
GPN 985 / 0201	12	12	29	Red	985 0201 0000
GPN 985 / 0202	12	12	29	Green	985 0202 0000
GPN 985 / 0203	12	12	29	Black	985 0203 0000

Size in mm

For information regarding materials, colours, drawings and the use of our items, please refer to pages 124/125.

You might also be interested in the following product: **GPN 980**

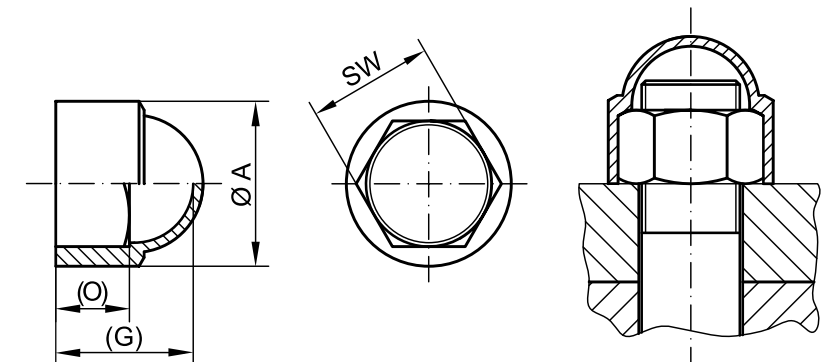
**Better fit.**  
Protection for grease nipples in accordance with DIN EN 71412.

**Better.**  
For marking the lubrication point and to protect the tapered head. Easy-to-grip knurled outer wall.  
Type A: without tab  
Type B: with tab

**Free test samples:**  
MK Slovenia (+386) 04 510 53 60  
MK Croatia (+385) 051 213 060  
MK Serbia (+381) 011 25 21 756



HEXAGONAL CAPS  
**GPN 1000**



**Standard colour:** Black  
**Material:** PE-LD

**More robust.**  
Thick-walled design for higher demands.

**Better.**  
Protection for bolts and nuts. Optimum corrosion protection. The cylindrical outside contour prevents the use of an open-end wrench.

**Free test samples:**  
MK Slovenia (+386) 04 510 53 60  
MK Croatia (+385) 051 213 060  
MK Serbia (+381) 011 25 21 756



item	Dimensions			Wrench width, metric	Suitable for hexagon nuts				Pipe thread	Order no.	
	A	(G)	(O)		Metric threads						
GPN 1000 / 1916	9	7.5	3.5	7	M 4					100 1916 0000	
GPN 1000 / 1068	10.9	8.5	5	8	M 5					100 1068 0000	
GPN 1000 / 1069	12.9	12	6	10	M 6					100 1069 0000	
GPN 1000 / 0893	16.8	14	7.5	13	M 8	M 8 × 1				100 0893 0000	
GPN 1000 / 1071	18	14	7.5	14						100 1071 0000	
GPN 1000 / 8267	21.3	18	9	16	M 10					100 8267 0000	
GPN 1000 / 1072	21.3	18.5	9	17	M 10	M 10 × 1				100 1072 0000	
GPN 1000 / 0857	23	19.4	11	18	M 12					100 0857 0000	
GPN 1000 / 1073	23.6	20	11	19	M 12	M 12 × 1.5				100 1073 0000	
GPN 1000 / 0190	26	22.5	12	21	M 14	M 14 × 1.5				100 0190 0000	
GPN 1000 / 1074	27.5	22.5	12	22	M 14	M 14 × 1.5		1/4		100 1074 0000	
GPN 1000 / 1075	29.8	25.5	14	24	M 16	M 16 × 1.5				100 1075 0000	
GPN 1000 / 1076	34	29	16	27	M 18	M 18 × 1.5	M 18 × 2		3/8	100 1076 0000	
GPN 1000 / 1077	37.4	31	17	30	M 20	M 20 × 1.5	M 20 × 2			100 1077 0000	
GPN 1000 / 1078	39.7	34	19	32	M 22	M 22 × 1.5	M 22 × 2		1/2	100 1078 0000	
GPN 1000 / 1079	44.4	38	20	36	M 24	M 24 × 1.5	M 24 × 2		5/8	100 1079 0000	
GPN 1000 / 1080	50.1	44	23	41	M 27	M 26 × 1.5	M 27 × 1.5	M 27 × 2	M 28 × 1.5	3/4	100 1080 0000
GPN 1000 / 1081	55.9	49	25	46	M 30	M 30 × 1.5	M 30 × 2			7/8	100 1081 0000
GPN 1000 / 1414	60.5	53	27	50		M 33 × 1.5	M 33 × 1.5	M 33 × 2			100 1414 0000
GPN 1000 / 1811	67	55.5	30	55	M 36	M 35 × 1.5	M 36 × 1.5	M 36 × 3			100 1811 0000
GPN 1000 / 3762	72	60	38	60	M 39	M 38 × 1.5	M 39 × 1.5	M 39 × 3	M 40 × 1.5		100 3762 0000
GPN 1000 / 3763	76.6	63	42	65	M 42	M 42 × 1.5	M 42 × 3				100 3763 0000
GPN 1000 / 6706	85.5	73	38	70	M 45						100 6706 0000
GPN 1000 / 8638	91.6	78.5	41	75						1 1/2	100 8638 0000
GPN 1000 / 8639	98	83.4	43.5	80						1 3/4	100 8639 0000
GPN 1000 / 8641	116.7	102	55	95						2 1/4	100 8641 0000

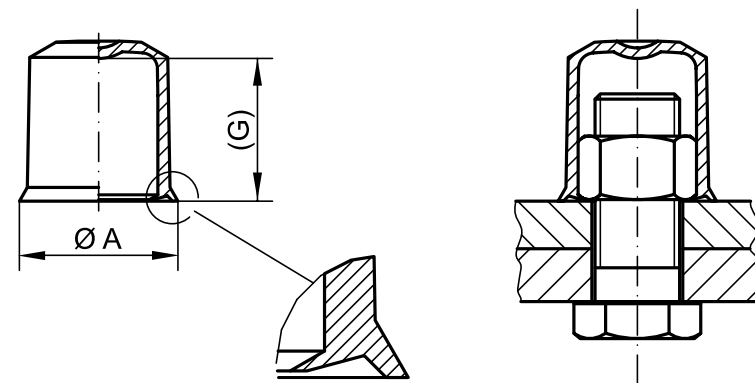
Size in mm

For information regarding materials, colours, drawings and the use of our items, please refer to pages 124/125.

You might also be interested in the following products: **GPN 1010, GPN 1050**

## SNAP-ON CAPS

# GPN 1010


 MK Slovenia  
 MK Croatia  
 MK Serbia

**Free test samples:**  
 (+386) 04 510 53 60  
 (+385) 051 213 060  
 (+381) 011 25 21 756

**Standard colour:** Black  
**Material:** PE-LD

**i Better.** Protection for nuts and bolts. Optimum corrosion protection. Designed for greater bolt length. The circumferential rim snaps in place beneath the nut.

item	Dimensions		Suitable for hexagon nuts				Order no.
	A	(G)	Wrench width	Metric threads	Pipe thread		
GPN 1010 SW 8	12	10.2	8	M 5		101 0008 0000	
GPN 1010 SW 10	15	13.5	10	M 6		101 0010 0000	
GPN 1010 SW 13	19	18.5	13	M 8	M 8 × 1	101 0013 0000	
GPN 1010 SW 17	24.4	25	17	M 10	M 10 × 1	101 0017 0000	
GPN 1010 SW 19	27	27.7	19	M 12	M 12 × 1.5	101 0019 0000	
GPN 1010 SW 22	30.5	33	22	M 14	M 14 × 1.5	1/4 101 0022 0000	
GPN 1010 SW 24	33.5	36.6	24	M 16	M 16 × 1.5	101 0024 0000	
GPN 1010 SW 30	41	47	30	M 20	M 20 × 1.5 M 20 × 2	101 0030 0000	
GPN 1010 SW 36	49.3	56.5	36	M 24	M 24 × 1.5 M 24 × 2	101 0036 0000	

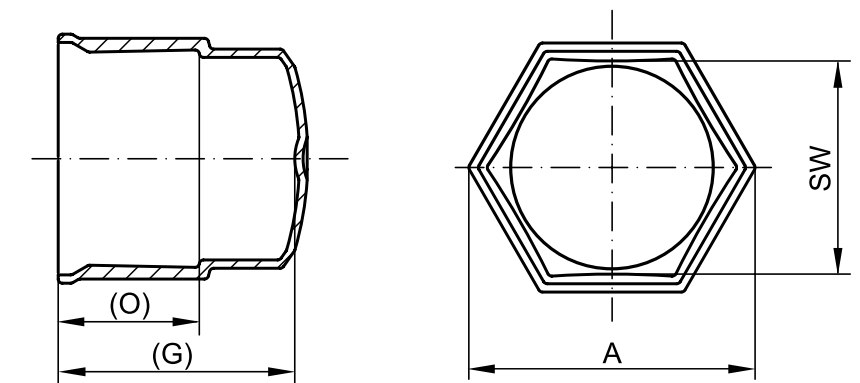
Size in mm

For information regarding materials, colours, drawings and the use of our items, please refer to pages 124/125.

You might also be interested in the following products: GPN 1000, GPN 1050

## HEXAGONAL CAPS

# GPN 1050


 MK Slovenia  
 MK Croatia  
 MK Serbia

**Free test samples:**  
 (+386) 04 510 53 60  
 (+385) 051 213 060  
 (+381) 011 25 21 756

**Standard colour:** Black  
**Material:** PE-LLD

**i Better.** For hose ends with union nut and hexagonal nut. These products provide effective protection against contamination, damage, corrosion and injuries.

item	Dimensions			Suitable for external		Order no.
	A	(G)	(O)	Spanne width (width across flat)		
GPN 1050 SW 14	19.6	26.3	14.5	14	105 0014 0000	
GPN 1050 SW 17	23.1	26.3	14.5	17	105 0017 0000	
GPN 1050 SW 19	25.2	27.1	15.5	19	105 0019 0000	
GPN 1050 SW 22	28.7	26.9	15.5	22	105 0022 0000	
GPN 1050 SW 24	30.5	28.5	17	24	105 0024 0000	
GPN 1050 SW 27	34.5	28.2	17	27	105 0027 0000	
GPN 1050 SW 30	38	28.4	17	30	105 0030 0000	
GPN 1050 SW 32	40.3	28.4	17	32	105 0032 0000	
GPN 1050 SW 36	44.9	28.3	17	36	105 0036 0000	
GPN 1050 SW 41	50.7	29.5	18	41	105 0041 0000	
GPN 1050 SW 46	56.4	30	19	46	105 0046 0000	
GPN 1050 SW 50	61	30.5	19.5	50	105 0050 0000	
GPN 1050 SW 60	72.6	31	20	60	105 0060 0000	

Size in mm

For information regarding materials, colours, drawings and the use of our items, please refer to pages 124/125.

You might also be interested in the following products: GPN 1000, GPN 1010

### Heat Shrink End Cap

SR1180

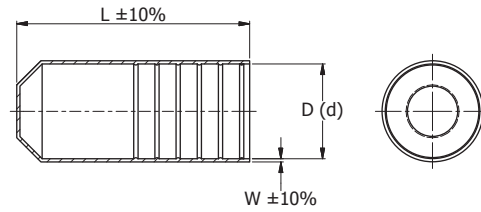
Polyolefin

- Excellent sealing properties
- UV and weather resistance
- Operating temperature: -55°C to +110°C
- Min. full recovery temp: +120°C
- Internal coating with adhesive lining



MK Slovenia (+386) 04 510 53 60  
MK Croatia (+385) 051 213 060  
MK Serbia (+381) 011 25 21 756

Free test samples:

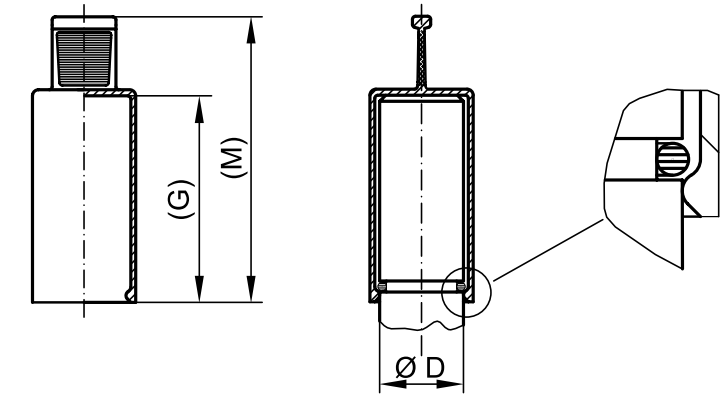


Part Number	Dimensions (mm)				Standard Pack Quantity
	As supplied	After Recovered			
	D (Min.)	d (Max.)	L	w	
498776	12.0	4.0	40.0	2.6	100
498777	14.0	5.0	45.0	2.2	100
498788	200.0	90.0	160.0	4.2	6
498778	20.0	6.0	55.0	2.8	50
498779	25.0	8.5	68.0	2.8	50
498780	35.0	16.0	83.0	3.3	50
498789	14.0	5.0	55.0	2.2	20
498790	42.0	15.0	110.0	3.3	20
498791	55.0	23.0	140.0	3.8	6
498782	55.0	26.0	103.0	3.5	10
498792	62.0	23.0	140.0	3.8	6
498783	75.0	36.0	120.0	4.0	10
498793	75.0	32.0	150.0	4.0	10
498794	75.0	36.0	170.0	4.2	10
498795	105.0	45.0	150.0	4.0	10
498784	100.0	52.0	140.0	4.0	1
498785	120.0	60.0	150.0	4.0	1
498786	145.0	60.0	150.0	4.0	1
498787	160.0	82.0	150.0	4.0	9

GRIP CAPS

### GPN 210

MK Slovenia (+386) 04 510 53 60  
MK Croatia (+385) 051 213 060  
MK Serbia (+381) 011 25 21 756



Standard colour: Yellow  
Material: EVA (plasticiser-free)

**Saves time.**  
With ergonomically designed removal tab for easy handling.

**Cleaner.**  
Upon request, we can manufacture in the specially designed cleanroom in accordance with VDA Volume 19 and ISO 16232. For further information, please refer to page 129.

**Better.**  
Suitable for pipe ends, hoses and studs. With circumferential sealing lip for a firm fit.

item	Suitable for external diameter D		Dimensions		Order no.
	(G)	(M)	(G)	(M)	
GPN 210 ZL 4 × 21	4	21.1	34.2	210 0421 0000	
GPN 210 ZL 5 × 20	5	20	36.5	210 0520 0000	
GPN 210 ZL 6 × 10	6	10	26.5	210 0610 0000	
GPN 210 ZL 6 × 20	6	20	36.5	210 0620 0000	
GPN 210 ZL 7 × 20	7	20	37	210 0720 0000	
GPN 210 ZL 8 × 10	8	10	26.5	210 0810 0000	
GPN 210 ZL 8 × 20	8	20	36.5	210 0820 0000	
GPN 210 ZL 9 × 20	9	20	36.5	210 0920 0000	
GPN 210 ZL 10 × 10	10	10	26.5	210 1010 0000	
GPN 210 ZL 10 × 20	10	20	36.5	210 1020 0000	
GPN 210 ZL 11 × 20	11	20	36.5	210 1120 0000	
GPN 210 ZL 12 × 10	12	10	26.5	210 1210 0000	
GPN 210 ZL 12 × 20	12	20	36.5	210 1220 0000	
GPN 210 ZL 12 × 30	12	30	46.5	210 1230 0000	
GPN 210 ZL 13 × 20	13	20	36.5	210 1320 0000	
GPN 210 ZL 14 × 10	14	10	26.5	210 1410 0000	
GPN 210 ZL 14 × 20	14	20	36.5	210 1420 0000	
GPN 210 ZL 15 × 20	15	20	36.5	210 1520 0000	
GPN 210 ZL 16 × 10	16	10	26.5	210 1610 0000	
GPN 210 ZL 16 × 20	16	20	36.5	210 1620 0000	
GPN 210 ZL 17 × 20	17	20	36.5	210 1720 0000	
GPN 210 ZL 18 × 10	18	10	26.5	210 1810 0000	
GPN 210 ZL 18 × 20	18	20	36.5	210 1820 0000	
GPN 210 ZL 19 × 20	19	20	36.5	210 1920 0000	
GPN 210 ZL 20 × 10	20	10	26.5	210 2010 0000	
GPN 210 ZL 20 × 20	20	20	36.5	210 2020 0000	
GPN 210 ZL 20 × 30	20	30	46.5	210 2030 0000	
GPN 210 ZL 22 × 20	22	20	36.5	210 2220 0000	
GPN 210 ZL 24 × 20	24	20	36.5	210 2420 0000	
GPN 210 ZL 26 × 20	26	20	36.5	210 2620 0000	
GPN 210 ZL 28 × 20	28	20	36.5	210 2820 0000	
GPN 210 ZL 30 × 20	30	20	36.5	210 3020 0000	

Size in mm

For information regarding materials, colours, drawings and the use of our items, please refer to pages 124/125.

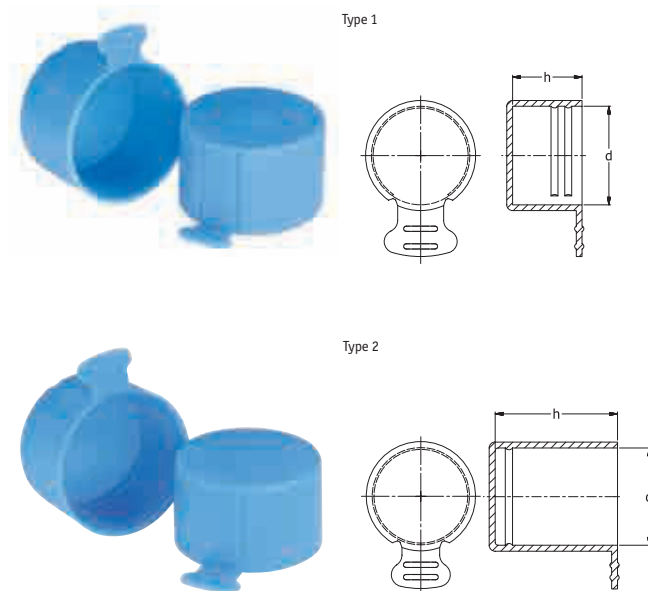
You might also be interested in the following products: GPN 211, GPN 215, GPN 240, GPN 241

### Tear Tab Caps

SR1033

LDPE

- Tear tab for easy removal
- Type 1 made to protect UNF/JIC threads from damage
- Type 2 made to protect NPT threads from damage
- The cap is versatile to offer a solution to numerous applications

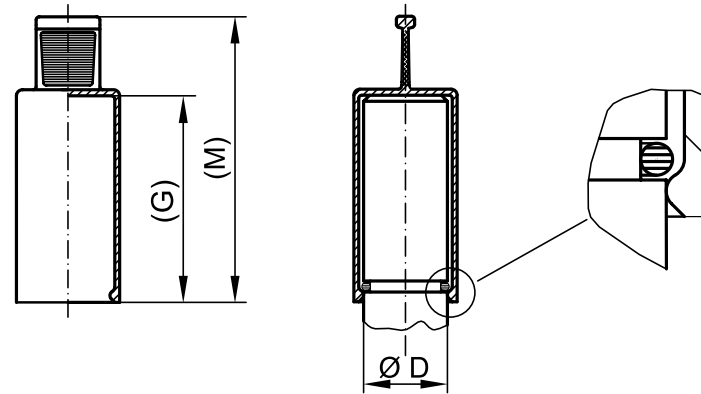


Part Number		UNF/JIC Thread Size	Dimensions (mm)		Standard Pack Quantity
Blue	Natural		h	d	
TS3A	TS3B	3/8"-24	11.1	9.3	13000
TS4A	TS4B	7/16"-20	11.7	11.0	11000
TS5A	TS5B	1/2" - 20	11.7	12.5	9000
TS6A	TS6B	9/16"-18	12.1	14.0	7000
TS7A	TS7B	1 1/16" - 16	12.1	17.2	5000
TS8A	TS8B	3/4"-16	14.2	18.8	3500
TS9A	TS9B	13/16"-16	14.2	20.4	3000
TS10A	TS10B	7/8"-14	16.5	22.2	4500
TS11A	TS11B	1"-14	16.5	25.0	4000
TS12A	TS12B	1 1/16"-12	19.1	26.8	3000
TS13A	TS13B	1 3/16"-12	19.1	29.8	2700
TS16A	TS16B	1 3/8"-12	19.1	33.1	2200
TS17A	TS17B	1 7/8"-12	19.1	36.4	200
TS20A	TS20B	1 5/8"-12	21.0	41.0	1300
TS21A	TS21B	1 11/16"-12	21.0	42.4	1200
TS24A	TS24B	1 7/8"-12	24.1	47.5	900
TS32A	TS32B	2 1/2"-12	30.5	63.7	400

Part Number		Colour	BSP/NPT Thread	Dimensions (mm)		Standard Pack Quantity
Y1/8A	Y1/4A			h	d	
Y1/8A	Y1/4A	Blue	1/8"	8.1	9.8	5000
Y3/8A	Y1/2A	Blue	3/8"	12.5	13.5	5000
Y3/4A	Y1A	Blue	1/2"	12.5	16.9	5500
Y1A	Y1-1/4A	Blue	3/4"	16.3	20.8	5500
Y1-1/4A	Y1-1/2A	Blue	1"	16.0	26.2	4000
Y1-1/2A	Y2A	Blue	1 1/4"	19.9	33.2	2000
Y2A		Blue	1 1/2"	21.3	41.7	1300
		Blue	1 3/4"	21.6	47.9	1000
		Blue	2"	22.6	59.4	600

FLEXIBLE GRIP CAPS

# GPN 211



**Free test samples:**  
 MK Slovenia (+386) 04 510 53 60  
 MK Croatia (+385) 051 213 060  
 MK Serbia (+381) 011 25 21 756



**Standard colour:** Yellow  
**Material:** TPE (plasticiser-free)


**Saves time.**

With ergonomically designed removal tab for easy handling.


**Higher temperature resistance.**

Heat resistant to 150 °C. More details: page 125, "Physical properties".


**More versatile.**

Suitable for different diameters due to flexible material.


**Better.**

Suitable for pipe ends, hoses and studs. With circumferential sealing lip for a firm fit.

item	Suitable for external		Dimensions		Order no.
	diameter D	(G)	(M)		
GPN 211 ZL 4 × 21	4 - 5	21	34		211 0421 0000
GPN 211 ZL 5 × 20	5 - 6	20	36		211 0520 0000
GPN 211 ZL 6 × 10	6 - 7.5	10	26		211 0610 0000
GPN 211 ZL 6 × 20	6 - 7.5	20	36		211 0620 0000
GPN 211 ZL 7 × 20	7 - 8	20	37		211 0720 0000
GPN 211 ZL 8 × 10	7.9 - 9	10	26		211 0810 0000
GPN 211 ZL 8 × 20	7.9 - 9	20	36		211 0820 0000
GPN 211 ZL 9 × 20	9 - 10.5	20	36		211 0920 0000
GPN 211 ZL 10 × 10	9.9 - 11.5	10	26		211 1010 0000
GPN 211 ZL 10 × 20	9.9 - 11.5	20	36		211 1020 0000
GPN 211 ZL 11 × 20	10.9 - 12.5	20	36		211 1120 0000
GPN 211 ZL 12 × 10	11.9 - 13	10	26		211 1210 0000
GPN 211 ZL 12 × 20	11.9 - 13	20	36		211 1220 0000
GPN 211 ZL 12 × 30	11.9 - 13	30	46.5		211 1230 0000
GPN 211 ZL 13 × 20	12.9 - 15	20	36		211 1320 0000
GPN 211 ZL 14 × 10	13.9 - 16	10	36		211 1410 0000
GPN 211 ZL 14 × 20	13.9 - 16	20	36		211 1420 0000
GPN 211 ZL 15 × 20	14.9 - 17	20	36		211 1520 0000
GPN 211 ZL 16 × 10	15.9 - 18	10	16		211 1610 0000
GPN 211 ZL 16 × 20	15.9 - 18	20	36		211 1620 0000
GPN 211 ZL 17 × 20	16.9 - 19	20	36		211 1720 0000
GPN 211 ZL 18 × 10	17.9 - 20	10	26		211 1810 0000
GPN 211 ZL 18 × 20	17.9 - 20	20	36		211 1820 0000
GPN 211 ZL 19 × 20	18.9 - 21	20	36		211 1920 0000
GPN 211 ZL 20 × 10	20 - 22	10	26		211 2010 0000
GPN 211 ZL 20 × 20	20 - 22	20	36		211 2020 0000
GPN 211 ZL 20 × 30	20 - 22	30	45		211 2030 0000
GPN 211 ZL 22 × 20	22 - 24	20	36		211 2220 0000
GPN 211 ZL 24 × 20	24 - 26	20	35		211 2420 0000
GPN 211 ZL 26 × 20	26 - 28	20	36.5		211 2620 0000
GPN 211 ZL 28 × 20	28 - 30	20	36.5		211 2820 0000
GPN 211 ZL 30 × 20	30 - 32	20	36.5		211 3020 0000

Size in mm

For information regarding materials, colours, drawings and the use of our items, please refer to pages 124/125.

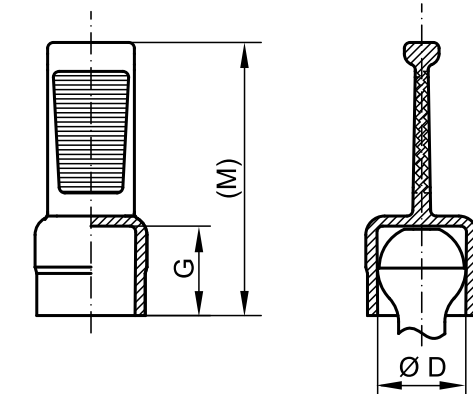
The engraving equals the GPN 210 standard series.

**You might also be interested in the following products: GPN 201, GPN 215, GPN 241, GPN 255**

GRIP CAPS

# GPN 212

**Watch the film now:**  
[poeppelmann.com/en/gpn212](http://poeppelmann.com/en/gpn212)



**Standard colour:** Yellow  
**Material:** TPE (plasticiser-free)


**Saves time.**

With ergonomically designed removal tab for easy handling.


**Higher temperature resistance.**

Heat resistant to 150 °C. More details: page 125, "Physical properties".


**More versatile.**

Can be used for different counterpart geometries thanks to flexible material.


**Better.**

Especially suitable for pipes with ball sockets.

item	Suitable for external		Dimensions		Order no.
	diameter D	(G)	(M)		
GPN 212 FM 76	8 - 8.8	7.8	23.3		212 0076 0000
GPN 212 FM 77	8 - 9	10.1	25.4		212 0077 0000
GPN 212 FM 88*	9.4 - 10.1	11.1	26.8		212 0088 0000
GPN 212 FM 102	10.3 - 11.2	8.7	24.2		212 0102 0000

Size in mm

For information regarding materials, colours, drawings and the use of our items, please refer to pages 124/125.

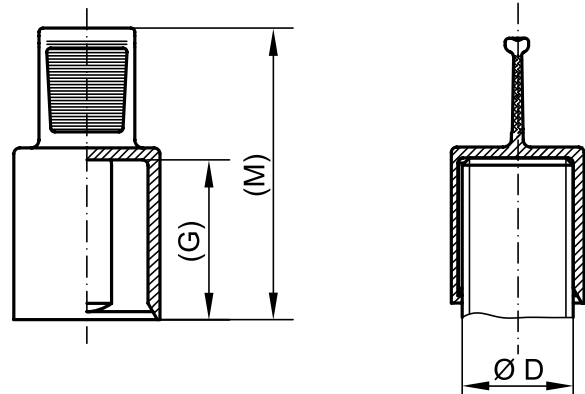
\* This size comes with internal clamping surfaces.

**You might also be interested in the following products: GPN 207, GPN 211**

GRIP CAPS

# GPN 215

Watch the film now:  
poeppele.com/en/gpn215



**Standard colour:** Black  
**Material:** EVA (plasticiser-free)

item	Suitable for external		Dimensions		Order no.
	diameter D	(G)	(M)	(H)	
GPN 215 ML 8 x 20	8	20	36.5		215 0820 0000
GPN 215 ML 10 x 20	10	20	36.5		215 1020 0000
GPN 215 ML 12 x 20	12	20	36.5		215 1220 0000
GPN 215 ML 14 x 20	14	20	36.5		215 1420 0000
GPN 215 ML 16 x 20	16	20	36.5		215 1620 0000
GPN 215 ML 17 x 20	17	20	36.5		215 1720 0000
GPN 215 ML 18 x 20	18	20	36.5		215 1820 0000
GPN 215 ML 19 x 20	19	20	36.5		215 1920 0000
GPN 215 ML 20 x 20	20	20	36.5		215 2020 0000
GPN 215 ML 22 x 20	22	20	36.5		215 2220 0000
GPN 215 ML 24 x 20	24	20	36.5		215 2420 0000
GPN 215 ML 26 x 20	26	20	36.5		215 2620 0000
GPN 215 ML 28 x 20	28	20	36.5		215 2820 0000
GPN 215 ML 30 x 20	30	30	36.5		215 3020 0000

Size in mm

For information regarding materials, colours, drawings and the use of our items, please refer to pages 124/125.

## Application Guide

Suitable for metric threads					item
Standard thread	Fine thread				
M 8	M 8 x 1				GPN 215 ML 8 x 20
M 10	M 10 x 1	M 10 x 1.25			GPN 215 ML 10 x 20
M 12	M 12 x 1	M 12 x 1.25	M 12 x 1.5		GPN 215 ML 12 x 20
M 14	M 14 x 1		M 14 x 1.5		GPN 215 ML 14 x 20
M 16	M 16 x 1		M 16 x 1.5		GPN 215 ML 16 x 20
	M 17 x 1		M 17 x 1.5		GPN 215 ML 17 x 20
M 18	M 18 x 1		M 18 x 1.5		GPN 215 ML 18 x 20
M 20	M 20 x 1		M 20 x 1.5		GPN 215 ML 20 x 20
M 22	M 22 x 1	M 22 x 1.5	M 22 x 2		GPN 215 ML 22 x 20
M 24	M 24 x 1	M 24 x 1.5	M 24 x 2		GPN 215 ML 24 x 20
M 26	M 26 x 1	M 26 x 1.5	M 26 x 2		GPN 215 ML 26 x 20
M 28	M 28 x 1	M 28 x 1.5	M 28 x 2		GPN 215 ML 28 x 20
M 30	M 30 x 1	M 30 x 1.5	M 30 x 2		GPN 215 ML 30 x 20

Size in mm

This application table is a guide only. We would be happy to send you free samples for testing.

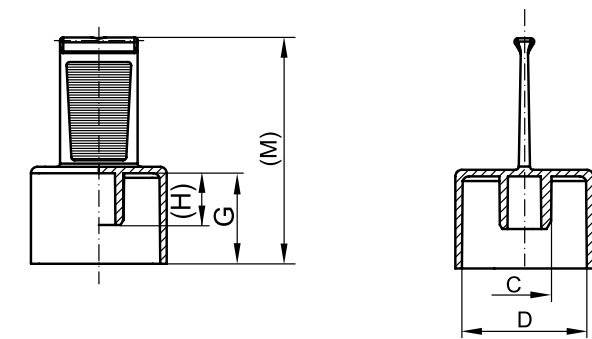
You might also be interested in the following products: GPN 205, GPN 211, GPN 255, GPN 802

- Saves time.** With ergonomically designed removal tab for easy handling.
- More versatile.** Interior surfaces accommodate major tolerances, ensuring a tight fit.
- Cleaner.** Upon request, we can manufacture in the specially designed cleanroom in accordance with VDA Volume 19 and ISO 16232. For further information, please refer to page 129.
- Better.** Suitable for external threads and studs.

GRIP CAPS

# GPN 220

MK Slovenia (+386) 04 510 53 60  
MK Croatia (+385) 051 213 060  
MK Serbia (+381) 011 25 21 756



**Standard colour:** Orange  
**Material:** PE-LLD

item	Inner application		External application			Order no.
	D	C	(M)	G	(H)	
GPN 220 / 0614	19	6.1	35	14	8	220 0614 0000
GPN 220 / 0714	19	7.6	35	14	8	220 0714 0000
GPN 220 / 0814	19	8.2	35	14	8	220 0814 0000
GPN 220 / 0914	19	9.1	35	14	8	220 0914 0000
GPN 220 / 1014	19	10.2	35	14	8	220 1014 0000
GPN 220 / 1020	19	10	40.5	19.5	8	220 1020 0000
GPN 220 / 1123	22	11.7	44	23	11	220 1123 0000
GPN 220 / 1816	28	18.4	37	16	13	220 1816 0000

Size in mm

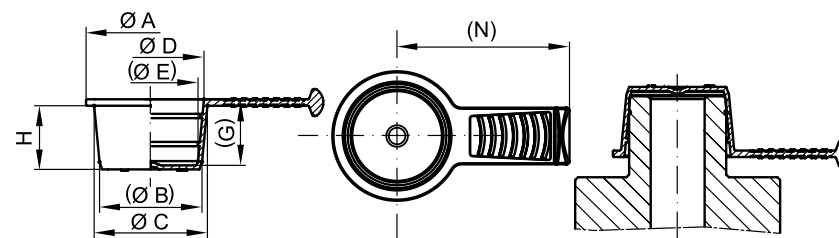
For information regarding materials, colours, drawings and the use of our items, please refer to pages 124/125.

You might also be interested in the following products: GPN 210, GPN 211, GPN 215

- Saves time.** With ergonomically designed removal tab for easy handling.
- Cleaner.** Upon request, we can manufacture in the specially designed cleanroom in accordance with VDA Volume 19 and ISO 16232. For further information, please refer to page 129.
- Better.** Protection for braze-on port fittings. The cap is protecting the O-ring without touching it and provides limited sealing action against an ingress or outflow of fluids.

TAPERED CLOSURE WITH SIDE TAB

## GPN 608

Watch the film now:  
poeppelmann.com/en/gpn608

External application

Standard colour: Yellow  
Material: PE-LD**Saves time.**

Very quick disassembly thanks to an innovative lateral removal tab – protected tab design.

**More versatile.**

Can be used universally as plug or cap. The tapered design is ideal for accommodating tolerances.

**Cleaner.**

Upon request, we can manufacture in the specially designed cleanroom in accordance with VDA Volume 19 and ISO 16232. For further information, please refer to page 129.

**Better.**

To close off bore holes and internal threads, or to protect studs and external threads.

item	External application								Order no.
	A	(B)	C	H	D	(E)	(G)	(N)	
608 BL 90	11	7	9	8.8	7.8	5.5	9.3	17.5	608 0090 0000
608 BL 100	12	8	10	8.8	8.8	6.4	9.3	18	608 0100 0000
608 BL 110	13	9	11	8.8	9.8	7.4	9.3	18.5	608 0110 0000
608 BL 120	14	10	12	9.8	10.7	8.4	10.1	19	608 0120 0000
608 BL 130	15	11	13	9.8	11.8	9.4	10.3	19.5	608 0130 0000
608 BL 140	16	12	14	10.8	12.7	10.5	11.3	20	608 0140 0000
608 BL 150	18	13	15	10.8	13.7	11.3	11.3	24	608 0150 0000
608 BL 160	19	14.1	15.9	10.8	14.7	12.3	11.2	24.5	608 0160 0000
608 BL 170	19.9	14.9	16.8	10.8	15.7	13.4	11.2	25	608 0170 0000
608 BL 180	20.9	16.1	17.8	10.8	16.7	14.4	11.2	25.5	608 0180 0000
608 BL 190	21.9	17.2	18.9	10.8	17.7	15.4	11.2	26	608 0190 0000
608 BL 200	22.9	18.1	19.9	11.8	18.7	16.4	12.2	31.5	608 0200 0000
608 BL 210	23.8	19.2	20.7	11.8	19.7	17.4	12.2	32	608 0210 0000
608 BL 220	25	20.3	22.1	11.8	20.7	18.1	12.2	32.5	608 0220 0000
608 BL 230	26	21	23	11.8	21.7	19.4	12.3	33	608 0230 0000
608 BL 240	27	22	24	11.8	22.7	20.4	12.3	33.5	608 0240 0000
608 BL 250	27.9	23.3	24.7	11.8	23.7	21.4	12.2	34	608 0250 0000
608 BL 260	28.9	24.2	25.7	11.8	24.7	22.4	12.2	34.5	608 0260 0000
608 BL 270	29.9	25.2	26.8	12.8	25.7	23.4	13.2	35	608 0270 0000
608 BL 280	31.9	26.1	27.9	12.8	26.7	24.4	13.2	36	608 0280 0000
608 BL 290	33.8	27.2	28.8	12.8	27.7	25.4	13.2	37	608 0290 0000
608 BL 300	35	28.4	30	12.8	28.6	26.2	13	37.5	608 0300 0000
608 BL 330	41	32.1	33	6.5	31.7	30	7.7	40.5	608 0330 0000
608 BL 670	71.8	65.8	66.8	10.5	65.4	64.3	11	50.87	608 0670 0000

Size in mm

For information regarding materials, colours, drawings and the use of our items, please refer to pages 124/125.

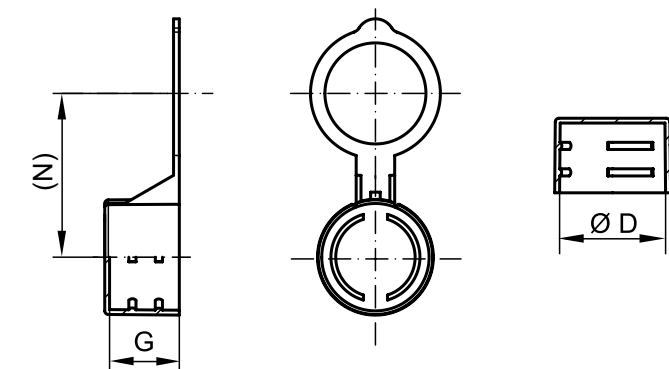
You might also be interested in the following products: GPN 308, GPN 600, GPN 610, GPN 615

FAST-FIT CAPS

## GPN 940

MK Slovenia (+386) 04 510 53 60  
MK Croatia (+385) 051 213 060  
MK Serbia (+381) 011 25 21 756

Free test samples:

Standard colour: Yellow  
Material: PE-LD**Better fit.**

Tamper-evident closure for valves pursuant to DIN 477-1.

**Saves time.**

Particularly fast and easy to remove.

**Better.**

With ventilation tab for safe leakage. Also suitable for external threads and studs.

item	Suitable for external		Dimensions		Order no.
	diameter D	thread	G	(N)	
GPN 940 SV 21.3	21.3	W 21.80 × 1/14	14.5	34	940 0213 0000
GPN 940 SV 23.9	23.9	W 24.32 × 1/14	14.5	35	940 0239 0000
GPN 940 SV 26	26	G 3/4	14.5	36.8	940 0260 0000

Size in mm

For information regarding materials, colours, drawings and the use of our items, please refer to pages 124/125.

You might also be interested in the following products: GPN 205, GPN 600

THE PÖPPELMANN EFFECT:

# Competent application support.

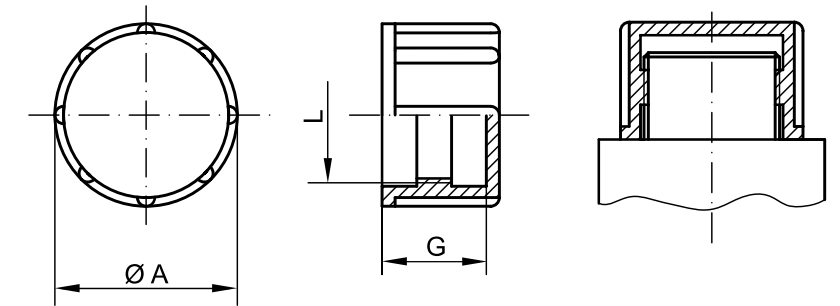
All KAPSTO® advantages on pages 128 – 135.

We do it. Simpler.



## SCREW CAPS GPN 800 with metric threads

Free test samples:  
MK Slovenia (+386) 04 510 53 60  
MK Croatia (+385) 051 213 060  
MK Serbia (+381) 011 25 21 756



Standard colour: Yellow  
Material: PE-HD

**i Better.** Suitable for a variety of different thread types. Easy-to-grip external rip for easy mounting and removal by hand.

item	Suitable for external		Dimensions		Order no.
	Thread	L	A	G	
GPN 800 M 8	M 8		12	8	800 0008 0000
GPN 800 M 10	M 10		14	8	800 0010 0000
GPN 800 M 12	M 12		16	12	800 0012 0000
GPN 800 M 14	M 14		18	12	800 0014 0000
GPN 800 M 16	M 16		21	12	800 0016 0000
GPN 800 M 18	M 18		22	12	800 0018 0000
GPN 800 M 20	M 20		25	14	800 0020 0000
GPN 800 M 22	M 22		28	14	800 0022 0000
GPN 800 M 24	M 24		32	14	800 0024 0000
GPN 800 M 27	M 27		35	14	800 0027 0000
GPN 800 M 30	M 30		38	14	800 0030 0000
GPN 800 M 8 × 1	M 8 × 1		12	8	800 0810 0000
GPN 800 M 10 × 1	M 10 × 1		14	8	800 1010 0000
GPN 800 M 12 × 1	M 12 × 1		16	12	800 1210 0000
GPN 800 M 12 × 1.5	M 12 × 1.5		16	12	800 1215 0000
GPN 800 M 14 × 1.5	M 14 × 1.5		18	12	800 1415 0000
GPN 800 M 16 × 1.5	M 16 × 1.5		21	12	800 1615 0000
GPN 800 M 18 × 1.5	M 18 × 1.5		22	12	800 1815 0000
GPN 800 M 20 × 1.5	M 20 × 1.5		25	14	800 2015 0000
GPN 800 M 22 × 1.5	M 22 × 1.5		28	14	800 2215 0000
GPN 800 M 23 × 1.5	M 23 × 1.5		29	22	800 2315 0000
GPN 800 M 24 × 1.5	M 24 × 1.5		30	14	800 2415 0000
GPN 800 M 25 × 1.5	M 25 × 1.5		33	14	800 2515 0000
GPN 800 M 26 × 1.5	M 26 × 1.5		34	11	800 2615 0000
GPN 800 M 28 × 1.5	M 28 × 1.5		34.5	28	800 2815 0000
GPN 800 M 30 × 1.5	M 30 × 1.5		36	14	800 3015 0000
GPN 800 M 36 × 1.5	M 36 × 1.5		44	17	800 3615 0000
GPN 800 M 45 × 1.5	M 45 × 1.5		53	15	800 4515 0000
GPN 800 M 22 × 2	M 22 × 2		28	14	800 2220 0000
GPN 800 M 30 × 2	M 30 × 2		38	14	800 3020 0000
GPN 800 M 36 × 2	M 36 × 2		44	17	800 3620 0000
GPN 800 M 42 × 2	M 42 × 2		50	15	800 4220 0000
GPN 800 M 45 × 2	M 45 × 2		53	15	800 4520 0000
GPN 800 M 52 × 2	M 52 × 2		60	15	800 5220 0000

Size in mm

For information regarding materials, colours, drawings and the use of our items, please refer to pages 124/125.

You might also be interested in the following products: GPN 205, GPN 215, GPN 802, GPN 804

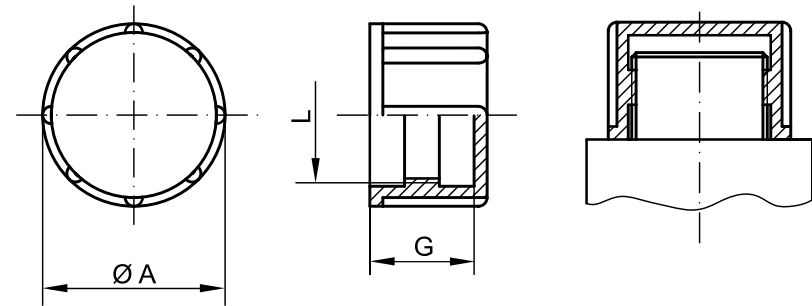
## SCREW CAPS

# GPN 800

for pipe threads

Standard colour: Yellow

Material: PE-HD



item	Suitable for external		Dimensions		Order no.
	Thread L	A	G		
GPN 800 G 1/8	G 1/8	14	8		800 0414 0000
GPN 800 G 1/4	G 1/4	18	12		800 0355 0000
GPN 800 G 3/8	G 3/8	21	12		800 0426 0000
GPN 800 G 1/2	G 1/2	25	14		800 0437 0000
GPN 800 G 5/8	G 5/8	28	14		800 0675 0000
GPN 800 G 3/4	G 3/4	32	14		800 3618 0000
GPN 800 G 1	G 1	39	14		800 3522 0000
GPN 800 G 1 1/4	G 1 1/4	47.7	17.7		800 3218 0000
GPN 800 G 1 1/2	G 1 1/2	56	17		800 7552 0000
GPN 800 G 2	G 2	68	18		800 6901 0000
GPN 800 G 2 1/2	G 2 1/2	80.9	18		800 3219 0000

Size in mm

For information regarding materials, colours, drawings and the use of our items, please refer to pages 124/125.

## SCREW CAPS

# GPN 800

with imperial threads

Standard colour: Yellow

Material: PE-HD

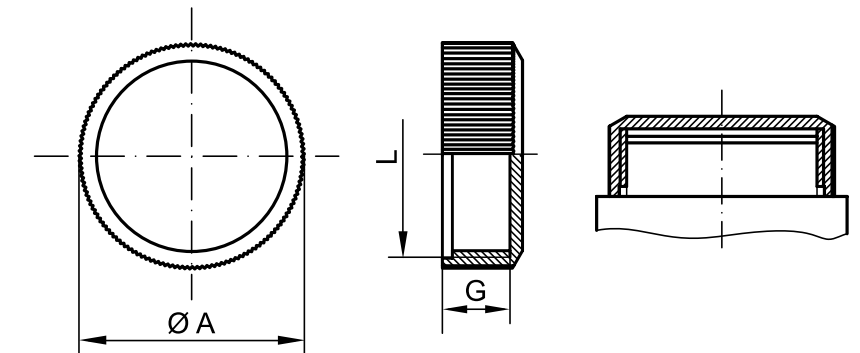
item	Suitable for external		Dimensions		Order no.
	Thread L	A	G		
GPN 800 1/4 - 28 UNF	1/4 - 28 UNF	12	8		800 7207 0000
GPN 800 7/16 - 20 UNF	7/16 - 20 UNF	15	12		800 6455 0000
GPN 800 1/2 - 20 UNF	1/2 - 20 UNF	18	15		800 5950 0000
GPN 800 9/16 - 18 UNF	9/16 - 18 UNF	18	12		800 6456 0000
GPN 800 5/8 - 18 UNF	5/8 - 18 UNF	19.3	14.2		800 3182 0000
GPN 800 3/4 - 16 UNF	3/4 - 16 UNF	24	18		800 5948 0000
GPN 800 13/16 - 16 UN	13/16 - 16 UN	26	12		800 3160 0000
GPN 800 7/8 - 14 UNF	7/8 - 14 UNF	27	20		800 5947 0000
GPN 800 1 - 14 UNS	1 - 14 UNS	33	14		800 7210 0000
GPN 800 1 1/16 - 12 UN	1 1/16 - 12 UN	34	23		800 5946 0000
GPN 800 1 1/16 - 16 UN	1 1/16 - 16 UN	34	14		800 7212 0000
GPN 800 1 3/16 - 20 UN	1 3/16 - 20 UN	38	14		800 7214 0000
GPN 800 1 1/4 - 12 UNF	1 1/4 - 12 UNF	38	14		800 7215 0000
GPN 800 1 5/16 - 12 UN	1 5/16 - 12 UN	40	24		800 5945 0000
GPN 800 1 5/8 - 12 UN	1 5/8 - 12 UN	50	17		800 7217 0000
GPN 800 1 7/8 - 12 UN	1 7/8 - 12 UN	55	17		800 7221 0000
GPN 800 2 1/4 - 12 UN	2 1/4 - 12 UN	66	18		800 7225 0000
GPN 800 2 1/2 - 12 UN	2 1/2 - 12 UN	72	18		800 7226 0000

Size in mm

For information regarding materials, colours, drawings and the use of our items, please refer to pages 124/125.

## SCREW CAPS

# GPN 801

 Free test samples:  
 MK Slovenia (+386) 04 510 53 60  
 MK Croatia (+385) 051 213 060  
 MK Serbia (+381) 011 25 21 756


item	Suitable for external		Dimensions		Order no.
	Thread L	A	G		
GPN 801 M 16 × 1	M 16 × 1	19	5		801 1610 0000
GPN 801 M 12 × 1.5	M 12 × 1.5	15	7		801 1215 0000
GPN 801 M 14 × 1.5	M 14 × 1.5	17	7		801 1415 0000
GPN 801 M 16 × 1.5	M 16 × 1.5	20	7		801 1615 0000
GPN 801 M 18 × 1.5	M 18 × 1.5	21	9		801 1815 0000
GPN 801 M 22 × 1.5	M 22 × 1.5	25	9		801 2215 0000
GPN 801 M 26 × 1.5	M 26 × 1.5	29	10		801 2615 0000
GPN 801 M 30 × 1.5	M 30 × 1.5	33	10		801 3015 0000
GPN 801 M 30 × 2	M 30 × 2	33	10		801 3020 0000
GPN 801 M 36 × 2	M 36 × 2	39	10		801 3620 0000

Size in mm

For information regarding materials, colours, drawings and the use of our items, please refer to pages 124/125.

 Standard colour: Natural  
 Material: PE-LD

You might also be interested in the following products: GPN 205, GPN 215, GPN 800

**Saves time.**

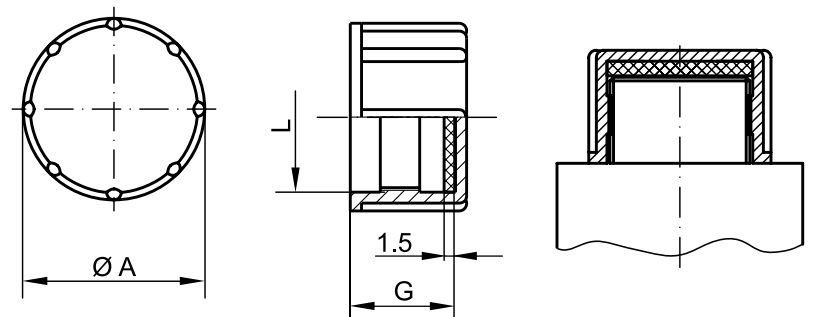
Flat design for faster installation.

**Better.**Suitable for outer threads.  
Easy-to-grip external rib for easy mounting and removal by hand.

SCREW CAP WITH SEALING DISC

# GPN 802

with metric threads

**NEW**

 Watch the film now:  
[poeppelmann.com/en/gpn802](http://poeppelmann.com/en/gpn802)

**Standard colour:** Yellow  
**Material:** PE-HD

**Sealing disc standard colour:**  
 Black

**Sealing disc material:**  
 NBR (70 +/- 5 Shore A)

**Seals better.**

Corresponds to GPN 800 but with sealing disc for stricter demands on leak tightness.


**Better.**

Suitable for a variety of different thread types. Easy-to-grip external knurl for easy mounting by hand. Alternative seals available on request.

Size in mm

For information regarding materials, colours, drawings and the use of our items, please refer to pages 124/125.

The engraving equals the GPN 800 standard series.

You might also be interested in the following products: GPN 205, GPN 215, GPN 800

Suitable for external

Dimensions

item	Thread L	A	G	Order no.
GPN 802 M 8	M 8	12	8	802 0008 0000
GPN 802 M 10	M 10	14	8	802 0010 0000
GPN 802 M 12	M 12	16	12	802 0012 0000
GPN 802 M 14	M 14	18	12	802 0014 0000
GPN 802 M 16	M 16	21	12	802 0016 0000
GPN 802 M 18	M 18	22	12	802 0018 0000
GPN 802 M 20	M 20	25	14	802 0020 0000
GPN 802 M 22	M 22	28	14	802 0022 0000
GPN 802 M 24	M 24	32	14	802 0024 0000
GPN 802 M 27	M 27	35	14	802 0027 0000
GPN 802 M 30	M 30	38	14	802 0030 0000
GPN 802 M 8 x 1	M 8 x 1	12	8	802 0810 0000
GPN 802 M 10 x 1	M 10 x 1	14	8	802 1010 0000
GPN 802 M 12 x 1	M 12 x 1	16	12	802 1210 0000
GPN 802 M 12 x 1.5	M 12 x 1.5	16	12	802 1215 0000
GPN 802 M 14 x 1.5	M 14 x 1.5	18	12	802 1415 0000
GPN 802 M 16 x 1.5	M 16 x 1.5	21	12	802 1615 0000
GPN 802 M 18 x 1.5	M 18 x 1.5	22	12	802 1815 0000
GPN 802 M 20 x 1.5	M 20 x 1.5	25	14	802 2015 0000
GPN 802 M 22 x 1.5	M 22 x 1.5	28	14	802 2215 0000
GPN 802 M 23 x 1.5	M 23 x 1.5	29	22	802 2315 0000
GPN 802 M 24 x 1.5	M 24 x 1.5	30	14	802 2415 0000
GPN 802 M 25 x 1.5	M 25 x 1.5	33	14	802 2515 0000
GPN 802 M 26 x 1.5	M 26 x 1.5	34	11	802 2615 0000
GPN 802 M 28 x 1.5	M 28 x 1.5	34.5	28	802 2815 0000
GPN 802 M 30 x 1.5	M 30 x 1.5	36	14	802 3015 0000
GPN 802 M 36 x 1.5	M 36 x 1.5	44	17	802 3615 0000
GPN 802 M 45 x 1.5	M 45 x 1.5	53	15	802 4515 0000
GPN 802 M 22 x 2	M 22 x 2	28	14	802 2220 0000
GPN 802 M 30 x 2	M 30 x 2	38	14	802 3020 0000
GPN 802 M 36 x 2	M 36 x 2	44	17	802 3620 0000
GPN 802 M 42 x 2	M 42 x 2	50	15	802 4220 0000
GPN 802 M 45 x 2	M 45 x 2	53	15	802 4520 0000
GPN 802 M 52 x 2	M 52 x 2	60	15	802 5220 0000

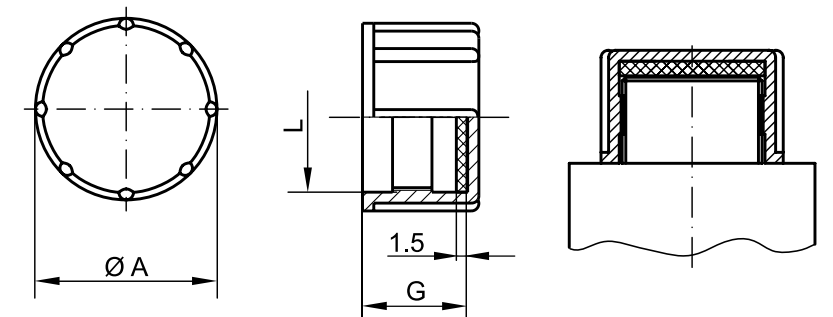
SCREW CAP WITH SEALING DISC

# GPN 802

for pipe threads

**NEW**
**Standard colour:** Yellow  
**Material:** PE-HD

**Sealing disc standard colour:**  
 Black

**Sealing disc material:**  
 NBR (70 +/- 5 Shore A)

 MK Slovenia (+386) 04 510 53 60  
 MK Croatia (+385) 051 213 060  
 MK Serbia (+381) 011 25 21 756

**Free test samples:**


Suitable for external

Dimensions

item	Thread L	A	G	Order no.
GPN 802 G 1/8	G 1/8	14	8	802 0414 0000
GPN 802 G 1/4	G 1/4	18	12	802 0355 0000
GPN 802 G 3/8	G 3/8	21	12	802 0426 0000
GPN 802 G 1/2	G 1/2	25	14	802 0437 0000
GPN 802 G 5/8	G 5/8	28	14	802 0675 0000
GPN 802 G 3/4	G 3/4	32	14	802 3618 0000
GPN 802 G 1	G 1	39	14	802 3522 0000
GPN 802 G 1 1/4	G 1 1/4	47.7	17.7	802 3218 0000
GPN 802 G 1 1/2	G 1 1/2	56	17	802 7552 0000
GPN 802 G 2	G 2	68	18	802 6901 0000
GPN 802 G 2 1/2	G 2 1/2	80.9	18	802 3219 0000

Size in mm

For information regarding materials, colours, drawings and the use of our items, please refer to pages 124/125.

SCREW CAP WITH SEALING DISC

# GPN 802

with imperial threads

**NEW**
**Standard colour:** Yellow  
**Material:** PE-HD

**Sealing disc standard colour:**  
 Black

**Sealing disc material:**  
 NBR (70 +/- 5 Shore A)

Suitable for external

Dimensions

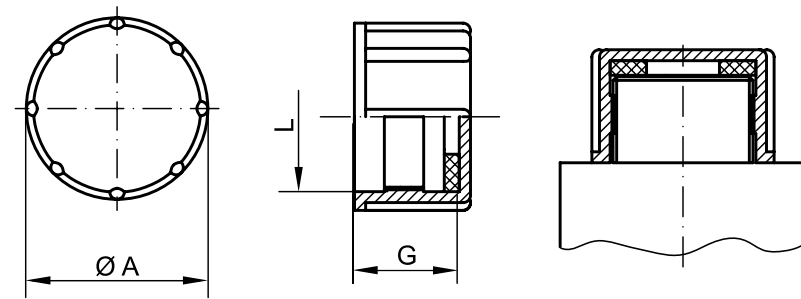
item	Thread L	A	G	Order no.
GPN 802 1/4 - 28 UNF	1/4 - 28 UNF	12	8	802 7207 0000
GPN 802 7/16 - 20 UNF	7/16 - 20 UNF	15	12	802 6455 0000
GPN 802 1/2 - 20 UNF	1/2 - 20 UNF	18	15	802 5950 0000
GPN 802 9/16 - 18 UNF	9/16 - 18 UNF	18	12	802 6456 0000
GPN 802 5/8 - 18 UNF	5/8 - 18 UNF	19.3	14.2	802 3182 0000
GPN 802 3/4 - 16 UNF	3/4 - 16 UNF	24	18	802 5948 0000
GPN 802 13/16 - 16 UN	13/16 - 16 UN	26	12	802 3160 0000
GPN 802 7/8 - 14 UNF	7/8 - 14 UNF	27	20	802 5947 0000
GPN 802 1 - 14 UNF	1 - 14 UNF	33	14	802 7210 0000
GPN 802 1 1/16 - 12 UN	1 1/16 - 12 UN	34	23	802 5946 0000
GPN 802 1 1/16 - 16 UN	1 1/16 - 16 UN	34	14	802 7212 0000
GPN 802 1 3/16 - 20 UN	1 3/16 - 20 UN	38	14	802 7214 0000
GPN 802 1 1/4 - 12 UNF	1 1/4 - 12 UNF	38	14	802 7215 0000
GPN 802 1 5/16 - 12 UN	1 5/16 - 12 UN	40	24	802 5945 0000
GPN 802 1 5/8 - 12 UN	1 5/8 - 12 UN	50	17	802 7217 0000
GPN 802 1 7/8 - 12 UN	1 7/8 - 12 UN	55	17	802 7221 0000
GPN 802 2 1/4 - 12 UN	2 1/4 - 12 UN	66	18	802 7225 0000
GPN 802 2 1/2 - 12 UN	2 1/2 - 12 UN	72	18	802 7226 0000

Size in mm

For information regarding materials, colours, drawings and the use of our items, please refer to pages 124/125.

SCREW CAPS WITH SEALING RING

# GPN 804



Free test samples:

 MK Slovenia (+386) 04 510 53 60  
 MK Croatia (+385) 051 213 060  
 MK Serbia (+381) 011 25 21 756

 Standard colour: Yellow  
 Material: PE-HD
**Seals better.**

Corresponds to GPN 800 but with seal for stricter demands on leak tightness.

**Better.**

Suitable for a variety of different thread types. Easy-to-grip external rip for easy mounting and removal by hand.

item	Suitable for external		Dimensions		Order no.
	Thread	L	A	G	
GPN 804 M 8 × 1	M 8 × 1		12	8	804 0810 0000
GPN 804 M 12 × 1	M 12 × 1		16	12	804 1210 0000
GPN 804 M 12 × 1.5	M 12 × 1.5		16	12	804 1215 0000
GPN 804 M 14 × 1.5	M 14 × 1.5		18	12	804 1415 0000
GPN 804 M 16 × 1.5	M 16 × 1.5		21	12	804 1615 0000
GPN 804 M 18 × 1.5	M 18 × 1.5		22	12	804 1815 0000
GPN 804 M 20 × 1.5	M 20 × 1.5		25	14	804 2015 0000
GPN 804 M 22 × 1.5	M 22 × 1.5		28	14	804 2215 0000
GPN 804 M 24 × 1.5	M 24 × 1.5		30	14	804 2415 0000
GPN 804 M 26 × 1.5	M 26 × 1.5		34	11	804 2615 0000
GPN 804 M 30 × 2	M 30 × 2		38	14	804 3020 0000
GPN 804 M 36 × 2	M 36 × 2		44	17	804 3620 0000
GPN 804 M 42 × 2	M 42 × 2		50	15	804 4220 0000
GPN 804 M 45 × 2	M 45 × 2		53	15	804 4520 0000
GPN 804 M 52 × 2	M 52 × 2		60	15	804 5220 0000
GPN 804 G 1/4	G 1/4		18	12	804 0355 0000
GPN 804 G 3/8	G 3/8		21	12	804 0426 0000
GPN 804 G 1/2	G 1/2		25	14	804 0437 0000
GPN 804 G 3/4	G 3/4		32	14	804 3618 0000
GPN 804 G 1	G 1		39	14	804 3522 0000
GPN 804 G 1 1/4	G 1 1/4		47.7	17.7	804 3218 0000
GPN 804 9/16 - 18 UNF	9/16 - 18 UNF		18	12	804 6456 0000
GPN 804 3/4 - 16 UNF	3/4 - 16 UNF		24	18	804 5948 0000

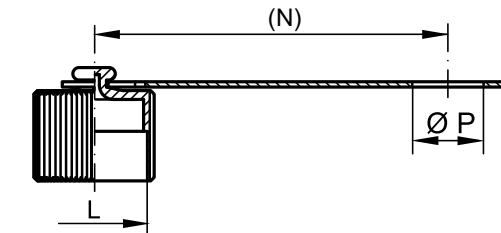
Size in mm

For information regarding materials, colours, drawings and the use of our items, please refer to pages 124/125.

You might also be interested in the following products: GPN 205, GPN 215, GPN 800

PROTECTIVE DUST CAPS

# GPN 930 Type B



Free test samples:

 MK Slovenia (+386) 04 510 53 60  
 MK Croatia (+385) 051 213 060  
 MK Serbia (+381) 011 25 21 756

 Standard colour: Red  
 Material: PE-HD, PE-LLD (tab)
**Better fit.**

Protect open couplings and particularly their thread.

**Seals better.**

Provides limited sealing action against an ingress or outflow of fluids.

**Better.**

Self-retaining design due to integral strap.

item	Suitable for external		Dimensions			Order no.
	Nominal size	L	(N)	P		
GPN 930 / 10074*	DN 6 + 8	M 28 × 2	100	20	930 0074 0000	
GPN 930 / 10078*	DN 10 + 12	M 36 × 2	110	24	930 0078 0000	
GPN 930 / 10031	DN 10 + 12	M 36 × 2	135	29.5	930 0031 0000	
GPN 930 / 10082*	DN 16 + 20	RD 48 × 3	145	41	930 0082 0000	
GPN 930 / 10086*	DN 25 + 32	RD 70 × 3	200	55	930 0086 0000	

Size in mm

For information regarding materials, colours, drawings and the use of our items, please refer to pages 124/125.

\*Strap eye not slotted.

 You might also be interested in the following products:  
 GPN 920 Type A, GPN 920 Type B, GPN 930 Type A

**Free test samples:**  
MK Slovenia (+386) 04 510 53 60  
MK Croatia (+385) 051 213 060  
MK Serbia (+381) 011 25 21 756

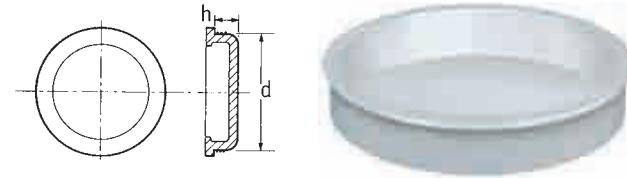


**Tube End Plugs**

SR 1601

White LDPE

- Secure closures for postal tubes, composite containers and clear plastic tubing



**Shallow Range**

Part Number	Dimensions (ins)		Standard Pack Quantity
	d	h	
12360	1.25	0.25	3000
12361	1.37	0.25	3000
12362	1.62	0.25	2000
11926	2.0	0.25	1200
11927	2.25	0.25	2000
11928	2.5	0.25	2000
11930	3.0	0.25	500

**Imperial Range**

Part Number	Dimensions (ins)		Standard Pack Quantity
	d	h	
11123	1.5	0.375	2000
10290	1.75	0.375	1200
15141*	2.0	0.45	3000
10148	2.25	0.375	2000
15142*	2.5	0.45	2000
12300	2.56	0.375	1500
10291	2.75	0.437	1500
1330786*	3.0	0.43	1000
11357	3.25	0.50	800
12730	3.3	0.375	800
11358	3.5	0.50	700
11600	3.75	0.50	700
10138	4.0	0.50	600
11888	4.5	0.50	500
12304	4.75	0.50	400
11450	5.0	0.60	300
11898	5.5	0.50	300
11572	6.0	0.59	150
11974	6.5	0.58	200
51854	8.0	0.50	100

\*Incorporate bevelled lead-in for easy insertion.

**Metric Range**

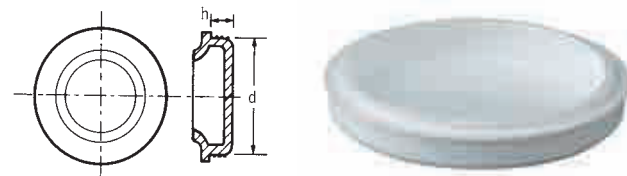
Part Number	Dimensions (ins)		Standard Pack Quantity
	d	h	
11619	25.0	8.0	12500
11587	30.0	8.4	8000
12641	40.0	7.8	5000
12305#*	46.0	10.5	3000
12642	50.0	6.9	3000
10920	54.0	8.0	2500
12643	60.0	7.0	2000
12306#	63.0	10.5	1200
12644	71.5	8.0	1800
12307	78.4	10.8	800
12645	80.0	10.2	1000
10724	99.0	8.8	700
12646	100.0	10.8	500
12974	108.0	10.7	500
12964	150.0	12.2	200

#Finger grip style \*Comes with a vent hole option.

**Tube End Plugs with All-Round Grip**

SR 1603

White LDPE



**Imperial Range**

Part Number	Dimensions (ins)		Standard Pack Quantity
	d	h	
12580	2.0	0.38	2000
12624	2.25	0.38	2000
10301	2.5	0.32	1500
12561	3.0	0.35	1000
12626	3.5	0.5	700
12627	4.0	0.32	600
12628	5.03	0.6	250
12629	6.0	0.5	150

**Metric Range**

Part Number	Dimensions (ins)		Standard Pack Quantity
	d	h	
12580	50.0	9.5	2000
12581	60.0	9.5	1800
12582	66.0	7.5	750
10725	71.0	6.0	1000
12560	70.0	9.5	1000
12584	95.0	7.5	600

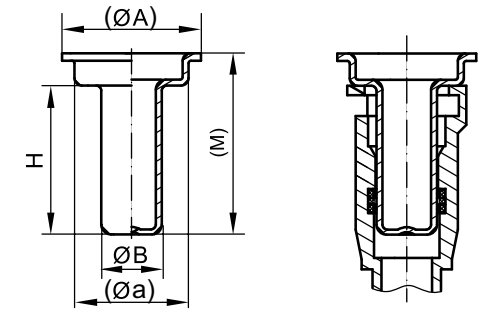
QC-PLUGS

**GPN 245**

**Watch the film now:**  
poepplmann.com/en/gpn245a  
poepplmann.com/en/gpn245b



Type A



Type A



Type B

**Type A**

item	Suitable for external SAE couplings		Dimensions					Order no.
	Nominal width mm	Nominal width Inch	(A)	(a)	B	H	(M)	
GPN 245 QC 8	8	5/16	26	22	7,6	27	33	245 0008 0000
GPN 245 QC 10	10	7/16	23	18	9,6	30	34	245 0010 0000
GPN 245 QC 12,7	12,7	1/2	28	23	12,2	30	36,5	245 0127 0000
GPN 245 QC 14,24	14,24		32	28	13,4	28	34,5	245 1424 0000
GPN 245 QC 15,9	15,9	5/8	34	30	15,7	35	43	245 0159 0000

Size in mm

**Standard colour:** Natural  
**Type A material:** PE-HD  
**Type B material:** PE-LD



**Better fit.**  
Suitable for SAE quick connectors, based on SAE J2044.



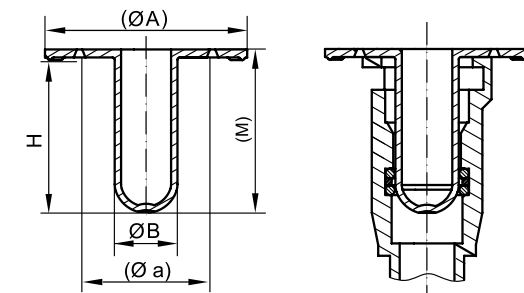
**Seals better.**  
Suitable for pressure testing depending on the application.



**Cleaner.**  
Upon request, we can manufacture in the specially designed cleanroom in accordance with VDA Volume 19 and ISO 16232. For further information, please refer to page 129.



**Better.**  
Clamping is carried out gently and safely on the internal sealing rings of the connector.



Type B

**Type B**

item	Suitable for external SAE couplings		Dimensions					Order no.
	Nominal width mm	Nominal width Inch	(A)	(a)	B	H	(M)	
GPN 245 QCL 6,35	6,35	1/4	31,6	20,6	6,35	25,3	26,8	246 0635 0000
GPN 245 QCL 8	8	5/16	35	21	7,79	26	27,5	246 0008 0000
GPN 245 QCL 9,5	9,5	3/8	30,8	16,8	9,5	25,8	27,3	246 0095 0000
GPN 245 QCL 10	10		32,8	18,8	9,79	30	31,5	246 0010 0000
GPN 245 QCL 12	12		38	24	11,8	29,2	30,7	246 0012 0000
GPN 245 QCL 19,05	19,05	3/4	50	36	18,8	28	29,5	246 1905 0000
GPN 245 QCL 25,4	25,4	1	53,5	39,5	25,4	34	35,5	246 2540 0000

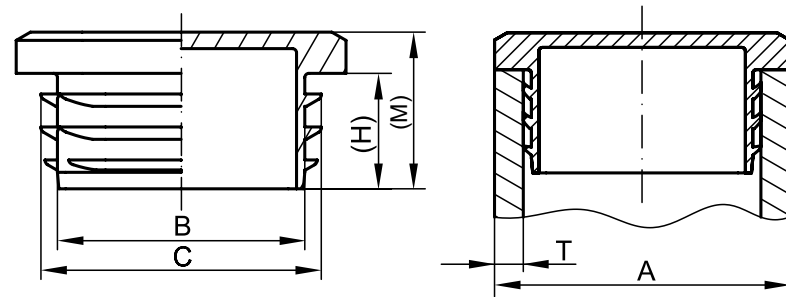
Size in mm

For information regarding materials, colours, drawings and the use of our items, please refer to pages 124/125.

You might also be interested in the following products: GPN 210, GPN 211, GPN 240, GPN 241

## SQUARE PLUGS

# GPN 260



Free test samples:  
 MK Slovenia (+386) 04 510 53 60  
 MK Croatia (+385) 051 213 060  
 MK Serbia (+381) 011 25 21 756



Standard colour: Black  
 Material: PE-LLD

**More robust.**  
 Reinforced head area for higher demands.

**Better.**  
 For closing of selection tubes. Distinctive external ribs provide a secure press fit. High visual appeal due to grained top surface finish and chamfered edges.

item	Suitable for pipe dimensions		Dimensions				Order no.
	External A	Wall thickness T	B	C	(H)	(M)	
GPN 260 Q 1212 1.5 - 2	12 × 12	1.5 - 2	7	10	11	15	260 1212 0000
GPN 260 Q 1515 1.5 - 2	15 × 15	1.5 - 2	10	13	11	15	260 1515 0000
GPN 260 Q 1616 1.5 - 2	16 × 16	1.5 - 2	11	14	11	15	260 1616 0000
GPN 260 Q 1818 1.5 - 2	18 × 18	1.5 - 2	13	16	11	15	260 1818 0000
GPN 260 Q 2020 1.5 - 2	20 × 20	1.5 - 2	15	18	11	15	260 2020 0000
GPN 260 Q 2222 1.5 - 2	22 × 22	1.5 - 2	16	20	14	19	260 2222 0000
GPN 260 Q 2525 1.5 - 2	25 × 25	1.5 - 2	19	23	14	19	260 2525 0000
GPN 260 Q 2525 3	25 × 25	3	17	21	14	19	260 2528 0000
GPN 260 Q 3030 1.5 - 2	30 × 30	1.5 - 2	24	28	14	19	260 3030 0000
GPN 260 Q 3030 3	30 × 30	3	22	26	14	19	260 3033 0000
GPN 260 Q 3434 1.5 - 2	34 × 34	1.5 - 2	28	32	14	19	260 3434 0000
GPN 260 Q 3434 3	34 × 34	3	26	30	14	19	260 3437 0000
GPN 260 Q 4040 1.5 - 2	40 × 40	1.5 - 2	34	38	14	19	260 4040 0000
GPN 260 Q 4040 3	40 × 40	3	32	36	14	19	260 4043 0000
GPN 260 Q 4040 4	40 × 40	4	30	34	14	19	260 4044 0000
GPN 260 Q 4040 5	40 × 40	5	28	32	14	19	260 4045 0000
GPN 260 Q 4545 1.5 - 2	45 × 45	1.5 - 2	39	43	14	19	260 4545 0000
GPN 260 Q 5050 1.5 - 2	50 × 50	1.5 - 2	44	48	14	19	260 5050 0000
GPN 260 Q 5050 3	50 × 50	3	42	46	14	19	260 5053 0000
GPN 260 Q 5050 5	50 × 50	5	38	42	14	19	260 5055 0000
GPN 260 Q 6060 1.5 - 2	60 × 60	1.5 - 2	54	58	14	19	260 6060 0000
GPN 260 Q 6060 4	60 × 60	4	50	54	14	19	260 6064 0000
GPN 260 Q 6060 5	60 × 60	5	48	52	14	19	260 6065 0000
GPN 260 Q 7070 3	70 × 70	3	61	66	17	22	260 7070 0000
GPN 260 Q 7070 4	70 × 70	4	59	64	17	22	260 7074 0000
GPN 260 Q 8080 3	80 × 80	3	71	76	17	22	260 8080 0000
GPN 260 Q 9090 1.5 - 2	90 × 90	1.5 - 2	83	88	17	22	260 9090 0000
GPN 260 Q 9090 5	90 × 90	5	77	82	17	22	260 9095 0000
GPN 260 Q 100100 3	100 × 100	3	91	96	17	22	260 1001 0000
GPN 260 Q 100100 5	100 × 100	5	87	92	17	22	260 1005 0000
GPN 260 Q 120120 5	120 × 120	5	107	112	17	22	260 1201 0000

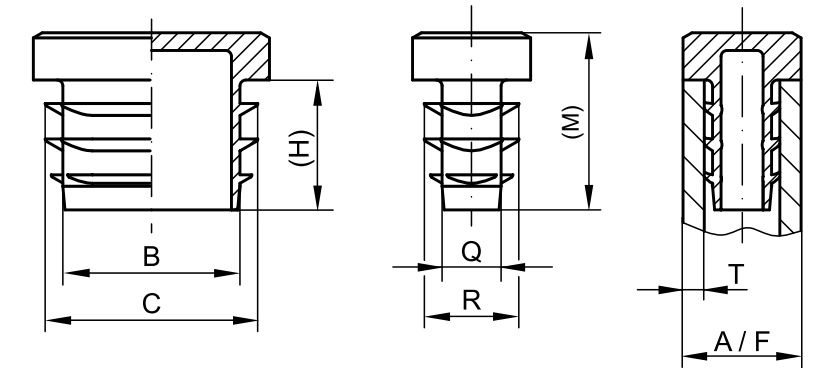
Size in mm

For information regarding materials, colours, drawings and the use of our items, please refer to pages 124/125.

You might also be interested in the following products:  
 GPN 270, GPN 280, GPN 320, GPN 1000

## RECTANGULAR PLUGS

# GPN 270



Free test samples:  
 MK Slovenia (+386) 04 510 53 60  
 MK Croatia (+385) 051 213 060  
 MK Serbia (+381) 011 25 21 756



Standard colour: Black  
 Material: PE-LLD

**More robust.**  
 Reinforced head area for higher demands.

**Better.**  
 For closing of selection tubes. Distinctive external ribs provide a secure press fit. High visual appeal due to grained top surface finish and chamfered edges.

item	Suitable for pipe dimensions		Dimensions						Order no.
	External A/F	Wall thickness T	B	C	(H)	(M)	Q	R	
GPN 270 R 2010 1.5 - 2	20 × 10	1.5 - 2	15	18	11	15	5	8	270 2010 0000
GPN 270 R 2015 1.5 - 2	20 × 15	1.5 - 2	15	18	11	15	10	13	270 2015 0000
GPN 270 R 2510 1.5 - 2	25 × 10	1.5 - 2	20	23	11	15	5	8	270 2510 0000
GPN 270 R 2515 1.5 - 2	25 × 15	1.5 - 2	20	23	11	15	10	13	270 2515 0000
GPN 270 R 2520 1.5 - 2	25 × 20	1.5 - 2	20	23	11	15	15	18	270 2520 0000
GPN 270 R 3010 1.5 - 2	30 × 10	1.5 - 2	25	28	11	15	5	8	270 3010 0000
GPN 270 R 3015 1.5 - 2	30 × 15	1.5 - 2	25	28	11	15	10	13	270 3015 0000
GPN 270 R 3020 1.5 - 2	30 × 20	1.5 - 2	25	28	11	15	15	18	270 3020 0000
GPN 270 R 3020 3	30 × 20	3	23	26	11	15	13	16	270 3023 0000
GPN 270 R 3025 1.5 - 2	30 × 25	1.5 - 2	24	28	14	19	19	23	270 3025 0000
GPN 270 R 3520 1.5 - 2	35 × 20	1.5 - 2	29	33	14	19	14	18	270 3520 0000
GPN 270 R 3525 1.5 - 2	35 × 25	1.5 - 2	29	33	14	19	19	23	270 3525 0000
GPN 270 R 3530 1.5 - 2	35 × 30	1.5 - 2	29	33	14	19	24	28	270 3530 0000
GPN 270 R 4010 1.5 - 2	40 × 10	1.5 - 2	34	38	14	19	4	8	270 4010 0000
GPN 270 R 4015 1.5 - 2	40 × 15	1.5 - 2	34	38	14	19	9	13	270 4015 0000
GPN 270 R 4020 1.5 - 2	40 × 20	1.5 - 2	34	38	14	19	14	18	270 4020 0000
GPN 270 R 4020 3	40 × 20	3	32	36	14	19	12	16	270 4023 0000
GPN 270 R 4025 1.5 - 2	40 × 25	1.5 - 2	34	38	14	19	19	23	270 4025 0000
GPN 270 R 4030 1.5 - 2	40 × 30	1.5 - 2	34	38	14	19	24	28	270 4030 0000
GPN 270 R 4030 3	40 × 30	3	32	36	14	19	22	26	270 4033 0000
GPN 270 R 4515 1.5 - 2	45 × 15	1.5 - 2	39	43	14	19	9	13	270 4515 0000
GPN 270 R 4520 1.5 - 2	45 × 20	1.5 - 2	39	43	14	19	14	18	270 4520 0000
GPN 270 R 4525 1.5 - 2	45 × 25	1.5 - 2	39	43	14	19	19	23	270 4525 0000
GPN 270 R 4838 1.5 - 2	48 × 38	1.5 - 2	42	46	14	19	32	36	270 4838 0000
GPN 270 R 5020 1.5 - 2	50 × 20	1.5 - 2	44	48	14	19	14	18	270 5020 0000
GPN 270 R 5025 1.5 - 2	50 × 25	1.5 - 2	44	48	14	19	19	23	270 5025 0000
GPN 270 R 5030 1.5 - 2	50 × 30	1.5 - 2	44	48	14	19	24	28	270 5030 0000
GPN 270 R 5030 3	50 × 30	3	42	46	14	19	22	26	270 5033 0000
GPN 270 R 5034 1.5 - 2	50 × 34	1.5 - 2	44	48	14	19	28	32	270 5034 0000
GPN 270 R 5040 1.5 - 2	50 × 40	1.5 - 2	44	48	14	19	34	38	270 5040 0000
GPN 270 R 6020 1.5 - 2	60 × 20	1.5 - 2	54	58	14	19	14	18	270 6020 0000
GPN 270 R 6030 1.5 - 2	60 × 30	1.5 - 2	54	58	14	19	24	28	270 6030 0000
GPN 270 R 6030 3	60 × 30	3	52	56	14	19	22	26	270 6033 0000
GPN 270 R 6040 1.5 - 2	60 × 40	1.5 - 2	54	58	14	19	34	38	270 6040 0000
GPN 270 R 6040 4	60 × 40	4	50	54	14	19	30	34	270 6044 0000
GPN 270 R 6040 5	60 × 40	5	48	52	14	19	28	32	270 6045 0000
GPN 270 R 7030 1.5 - 2	70 × 30	1.5 - 2	63	68	17	22	23	28	270 7030 0000
GPN 270 R 7040 1.5 - 2	70 × 40	1.5 - 2	63	68	17	22	33	38	270 7040 0000
GPN 270 R 7040 4	70 × 40	4	59	64	17	22	29	34	270 7044 0000
GPN 270 R 8020 1.5 - 2	80 × 20	1.5 - 2	73	78	17	22	13	18	270 8020 0000
GPN 270 R 8030 1.5 - 2	80 × 30	1.5 - 2	73	78	17	22	23	28	270 8030 0000
GPN 270 R 8040 1.5 - 2	80 × 40	1.5 - 2	73	78	17	22	33	38	270 8040 0000

Size in mm

» Continued on page 64

For information regarding materials, colours, drawings and the use of our items, please refer to pages 124/125.

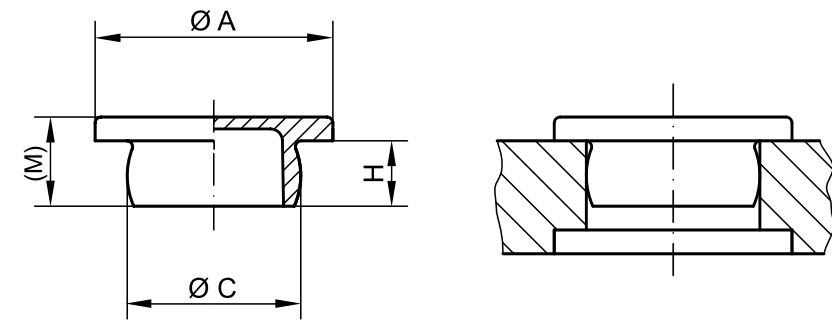
You might also be interested in the following products:  
 GPN 260, GPN 280, GPN 320, GPN 1000



CLOSURE PLUGS

# GPN 300 F

Black/Natural



Watch the film now:

poeppele.com/en/gpn300fs  
poeppele.com/en/gpn300fn



Standard colours: Black/Natural

Material: PE-LD; PE-LLD (from GPN 300 F 52)



**More versatile.**

Multi functional use for internal threads and bore holes.



**Cleaner.**

Upon request, we can manufacture in the specially designed cleanroom in accordance with VDA Volume 19 and ISO 16232. For further information, please refer to page 129.



**Greater variety.**

The GPN 300 is available ex stock in black and also in natural. Please specify the desired colour when ordering.



**Better.**

Flat-headed design. Firm fit due to crowned shank.

« Continued from page 65

item	Dimensions				Order no.	
	A	C	H	(M)	Black	Natural
GPN 300 F 30	42	38.4	10	12.5	300 0030 9500	300 0030 0000
GPN 300 F 301	42	39	15	18	300 0301 9500	300 0301 0000
GPN 300 F 31	42	40	15	18	300 0031 9500	300 0031 0000
GPN 300 F 311	45	40.7	15	18	300 0311 9500	300 0311 0000
GPN 300 F 312	48	42.3	15	18	300 0312 9500	300 0312 0000
GPN 300 F 32	55	46	18	21	300 0032 9500	300 0032 0000
GPN 300 F 33	55	48.5	12	15	300 0033 9500	300 0033 0000
GPN 300 F 35	55	51.5	18	21	300 0035 9500	300 0035 0000
GPN 300 F 37	63	55	18	21	300 0037 9500	300 0037 0000
GPN 300 F 38	63	55.8	18	21	300 0038 9500	300 0038 0000
GPN 300 F 40	63	58	18	21	300 0040 9500	300 0040 0000
GPN 300 F 401	71	66	18	21.5	300 0401 9500	300 0401 0000
GPN 300 F 402	63	59	18	21.3	300 0402 9500	300 0402 0000
GPN 300 F 41	78	71	18	22	300 0410 9500	300 0410 0000
GPN 300 F 411	86	75.8	19	22	300 0411 9500	300 0411 0000
GPN 300 F 42	95	86	18	19.3	300 0042 9500	300 0042 0000
GPN 300 F 44	124	102.5	18	21.5	300 0044 9500	300 0044 0000
GPN 300 F 47	152	123.5	18	21.5	300 0047 9500	300 0047 0000
GPN 300 F 52	165	152	17.5	20	300 0052 9500	300 0052 0000
GPN 300 F 55	200	182	19.5	22	300 0055 9500	300 0055 0000

Size in mm

» Guide values for use can be found on page 68

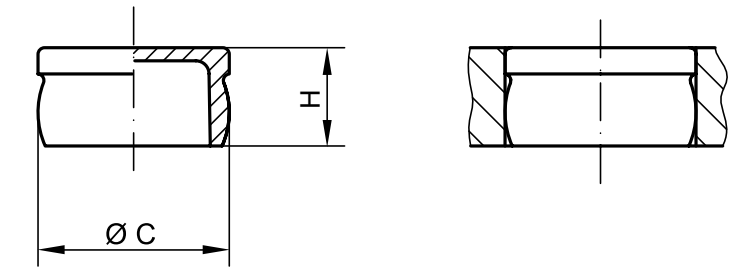
For information regarding materials, colours, drawings and the use of our items, please refer to pages 124/125.

You might also be interested in the following products: GPN 350, GPN 600, GPN 615

CLOSURE PLUGS

# GPN 300 V

Black/Natural



Watch the film now:

poeppele.com/en/gpn300vs  
poeppele.com/en/gpn300vn



Standard colours: Black/Natural

Material: PE-LD



**More versatile.**

Multi functional use for internal threads and bore holes.



**Cleaner.**

Upon request, we can manufacture in the specially designed cleanroom in accordance with VDA Volume 19 and ISO 16232. For further information, please refer to page 129.



**Greater variety.**

The GPN 300 is available ex stock in black and also in natural. Please specify the desired colour when ordering.



**Better.**

Application as for F-type but with smaller head diameter for recessed mounting.

You might also be interested in the following products: GPN 350, GPN 600, GPN 615

item	Dimensions		Order no.	
	C	H	Black	Natural
GPN 300 V 011	6.2	8	301 0110 9500	301 0110 0000
GPN 300 V 2	7.2	8	301 0002 9500	301 0002 0000
GPN 300 V 3	8.4	8	301 0003 9500	301 0003 0000
GPN 300 V 031	8.6	6.5	301 0310 9500	301 0310 0000
GPN 300 V 4	9.2	6.5	301 0004 9500	301 0004 0000
GPN 300 V 041	9.4	6.5	301 0041 9500	301 0041 0000
GPN 300 V 5	10.7	7.5	301 0005 9500	301 0005 0000
GPN 300 V 7	11.7	9	301 0007 9500	301 0007 0000
GPN 300 V 9	12.3	9	301 0009 9500	301 0009 0000
GPN 300 V 091	13	9	301 0091 9500	301 0091 0000
GPN 300 V 10	13.7	10	301 0010 9500	301 0010 0000
GPN 300 V 11	14.6	7.5	301 0011 9500	301 0011 0000
GPN 300 V 111	15	10	301 0111 9500	301 0111 0000
GPN 300 V 112	15	7.5	301 0112 9500	301 0112 0000
GPN 300 V 12	15.6	10	301 0012 9500	301 0012 0000
GPN 300 V 142	16.5	7.5	301 0142 9500	301 0142 0000
GPN 300 V 14	16.7	7.5	301 0014 9500	301 0014 0000
GPN 300 V 15	17.1	10.5	301 0015 9500	301 0015 0000
GPN 300 V 17	18.4	10.5	301 0017 9500	301 0017 0000
GPN 300 V 18	19.3	10.8	301 0018 9500	301 0018 0000
GPN 300 V 181	21.4	9.5	301 0181 9500	301 0181 0000
GPN 300 V 182	21.7	10.5	301 0182 9500	301 0182 0000
GPN 300 V 183	19.6	10.5	301 0183 9500	301 0183 0000
GPN 300 V 184	21.2	10	301 0184 9500	301 0184 0000
GPN 300 V 19	20.7	10.5	301 0019 9500	301 0019 0000
GPN 300 V 21	22.4	11.5	301 0021 9500	301 0021 0000
GPN 300 V 211	23.6	12	301 0211 9500	301 0211 0000
GPN 300 V 22	24	12	301 0022 9500	301 0022 0000
GPN 300 V 23	24.6	12	301 0023 9500	301 0023 0000
GPN 300 V 231	24.5	11	301 0231 9500	301 0231 0000
GPN 300 V 232	25.5	9.5	301 0232 9500	301 0232 0000
GPN 300 V 233	26.5	12	301 0233 9500	301 0233 0000
GPN 300 V 24	29	15	301 0024 9500	301 0024 0000
GPN 300 V 241	30.5	15	301 0241 9500	301 0241 0000
GPN 300 V 25	32	12.5	301 0025 9500	301 0025 0000
GPN 300 V 26	33.5	15	301 0026 9500	301 0026 0000
GPN 300 V 27	34.8	18	301 0027 9500	301 0027 0000
GPN 300 V 271	35.5	18	301 0271 9500	301 0271 0000
GPN 300 V 28	36.5	18	301 0028 9500	301 0028 0000
GPN 300 V 30	38.4	12.5	301 0030 9500	301 0030 0000
GPN 300 V 301	39	18	301 0301 9500	301 0301 0000
GPN 300 V 31	40	18	301 0031 9500	301 0031 0000
GPN 300 V 311	40.7	18	301 0311 9500	301 0311 0000
GPN 300 V 312	42.3	18	301 0312 9500	301 0312 0000
GPN 300 V 32	46	21	301 0032 9500	301 0032 0000
GPN 300 V 33	48.5	15	301 0033 9500	301 0033 0000
GPN 300 V 35	51.5	21	301 0035 9500	301 0035 0000
GPN 300 V 37	55	21	301 0037 9500	301 0037 0000
GPN 300 V 38	55.8	21	301 0038 9500	301 0038 0000
GPN 300 V 40	58	21	301 0040 9500	301 0040 0000
GPN 300 V 401	66	21.5	301 0401 9500	301 0401 0000
GPN 300 V 41	71	22	301 0410 9500	301 0410 0000

Size in mm

» Guide values for use can be found on page 68

For information regarding materials, colours, drawings and the use of our items, please refer to pages 124/125.

CLOSURE PLUGS

# GPN 300



F-Type



V-Type

**i Better.** When selecting these sealing plugs, please note that the shaft diameter C must be approx. 0.2 to 0.8 mm (depending on the nominal size) larger than the bore hole to be protected or the core diameter of the thread to be closed.

MK Slovenia (+386) 04 510 53 60  
MK Croatia (+385) 051 213 060  
MK Serbia (+381) 011 25 21 756

**Free test samples:**

## Application Guide

Metric threads				Pipe thread	item	
Standard thread	Fine thread		F-Type		V-Type	
M 3.5				GPN 300 F 1		
M 7	M 5 × 0.5			GPN 300 F 011	GPN 300 V 011	
M 8	M 7.5 × 1	M 8 × 1	1/16	GPN 300 F 012	GPN 300 V 012	
M 10	M 9 × 1			GPN 300 F 031	GPN 300 V 031	
M 10				GPN 300 F 0315		
M 10	M 9.5 × 1	M 10 × 1	1/8	GPN 300 F 032		
	M 10 × 1	M 10 × 1	1/8	GPN 300 F 4	GPN 300 V 4	
	M 10 × 1	M 10 × 1		GPN 300 F 041	GPN 300 V 041	
M 12	M 11 × 1			GPN 300 F 042		
M 12	M 12 × 1	M 12 × 1.5		GPN 300 F 5	GPN 300 V 5	
	M 12 × 1	M 13 × 1.5	1/4	GPN 300 F 7	GPN 300 V 7	
M 14	M 13 × 1	M 13 × 1	1/4	GPN 300 F 9	GPN 300 V 9	
	M 13.5 × 1	M 14 × 1.5		GPN 300 F 091	GPN 300 V 091	
	M 15 × 1.5			GPN 300 F 10	GPN 300 V 10	
M 16	M 15 × 1	M 16 × 1.5		GPN 300 F 11	GPN 300 V 11	
	M 16 × 1.5			GPN 300 F 111	GPN 300 V 111	
	M 16 × 1.5			GPN 300 F 112	GPN 300 V 112	
M 18	M 16 × 1	M 18 × 1.5	3/8	GPN 300 F 12	GPN 300 V 12	
	M 18 × 1.5			GPN 300 F 14	GPN 300 V 14	
	M 17 × 1	M 18 × 1.5		GPN 300 F 141		
	M 17 × 1	M 18 × 1.5		GPN 300 F 142	GPN 300 V 142	
	M 18 × 1.5			GPN 300 F 15	GPN 300 V 15	
	M 19 × 1	M 20 × 2		GPN 300 F 17	GPN 300 V 17	
	M 20 × 1	M 21 × 2	1/2	GPN 300 F 18	GPN 300 V 18	
M 24	M 22 × 1	M 23 × 2		GPN 300 F 181	GPN 300 V 181	
	M 22 × 1			GPN 300 F 182	GPN 300 V 182	
M 22	M 21 × 1.5			GPN 300 F 183	GPN 300 V 183	
M 24	M 22 × 1		5/8	GPN 300 F 184	GPN 300 V 184	
	M 22 × 1.5			GPN 300 F 19	GPN 300 V 19	
	M 23 × 1	M 24 × 2		GPN 300 F 21	GPN 300 V 21	
	M 24 × 1	M 25 × 1.5		GPN 300 F 211	GPN 300 V 211	
M 27	M 25 × 1.5			GPN 300 F 22	GPN 300 V 22	
	M 25 × 1	M 26 × 1.5	3/4	GPN 300 F 23	GPN 300 V 23	
M 25	M 25 × 1	M 26 × 2		GPN 300 F 231	GPN 300 V 231	
	M 26 × 1	M 27 × 2		GPN 300 F 232	GPN 300 V 232	
M 30	M 27 × 1	M 28 × 2		GPN 300 F 233	GPN 300 V 233	
	M 30 × 1.5			GPN 300 F 24	GPN 300 V 24	
	M 31 × 1	M 32 × 2	1	GPN 300 F 241	GPN 300 V 241	
	M 32 × 1.5		1	GPN 300 F 242		
M 36	M 33 × 1.5			GPN 300 F 25	GPN 300 V 25	
	M 34 × 1	M 35 × 2		GPN 300 F 26	GPN 300 V 26	
	M 36 × 1.5			GPN 300 F 27	GPN 300 V 27	
M 39	M 36 × 1	M 37 × 2	1 1/8	GPN 300 F 271	GPN 300 V 271	
	M 37 × 1	M 38 × 2		GPN 300 F 28	GPN 300 V 28	
	M 39 × 1	M 40 × 2		GPN 300 F 30	GPN 300 V 30	
	M 40 × 1.5			GPN 300 F 301	GPN 300 V 301	
M 45	M 42 × 1.5			GPN 300 F 311	GPN 300 V 311	
	M 42 × 2			GPN 300 F 312	GPN 300 V 312	
	M 45 × 3			GPN 300 F 32		
	M 50 × 4			GPN 300 F 32		
	M 50 × 2			GPN 300 F 33	GPN 300 V 33	
	M 52 × 1		1 3/4	GPN 300 F 35	GPN 300 V 35	
	M 56 × 1.5			GPN 300 F 37	GPN 300 V 37	
	M 56 × 1			GPN 300 F 38	GPN 300 V 38	
M 64	M 62 × 4			GPN 300 F 40	GPN 300 V 40	
	M 70 × 4			GPN 300 F 401	GPN 300 V 401	
	M 60 × 1.5			GPN 300 F 402		
	M 72 × 1.5			GPN 300 F 41	GPN 300 V 41	
	M 75 × 4			GPN 300 F 42		
	M 90 × 4			GPN 300 F 44		
	M 105 × 3			GPN 300 F 47		
	M 125 × 2			GPN 300 F 52		
	M 155 × 3			GPN 300 F 55		
	M 185 × 3			GPN 300 F 55		

« F type dimensions from page 65; V type dimensions from page 67

This application table is a guide only. We would be happy to send you free samples for testing.

FINNED PLUGS

# GPN 320

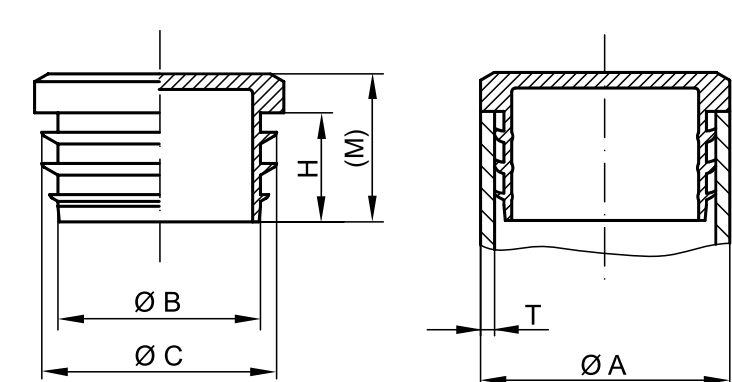


Standard colour: Black  
Material: PE-LLD

- DIN ISO Better fit.** To close off round pipes in accordance with DIN EN 10220, DIN EN 10255, and DIN EN ISO 1127.
- More robust.** Solid design for increased demands.
- More versatile.** Firm fit thanks to fins – also in case of dimension tolerances in the pipe.
- Better.** High visual appeal due to grained top surface finish and chamfered edges.

MK Slovenia (+386) 04 510 53 60  
MK Croatia (+385) 051 213 060  
MK Serbia (+381) 011 25 21 756

**Free test samples:**



item	Suitable for pipe dimensions		Dimensions				Order no.
	External A	Wall thickness T	B	C	H	(M)	
GPN 320 GL 101-2	10	1-2	5	8.5	11	15	320 0010 0000
GPN 320 GL 121-2	12	1-2	7	10.5	11	15	320 0012 0000
GPN 320 GL 131-2	13	1-2	8	11.5	11	15	320 0013 0000
GPN 320 GL 141-2	14	1-2	9	12.5	11	15	320 0014 0000
GPN 320 GL 151-2	15	1-2	10	13.5	11	15	320 0015 0000
GPN 320 GL 161-2	16	1-2	11	14.5	11	15	320 0016 0000
GPN 320 GL 181-2	18	1-2	13	16.5	11	15	320 0018 0000
GPN 320 GL 201-2	20	1-2	15	18.5	11	15	320 0020 0000
GPN 320 GL 221-2	22	1-2	16	20.5	14	19	320 0022 0000
GPN 320 GL 251-2	25	1-2	19	23.5	14	19	320 0025 0000
GPN 320 GL 271-2	27	1-2	21	25.5	14	19	320 0027 0000
GPN 320 GL 281-2	28	1-2	22	26.5	14	19	320 0028 0000
GPN 320 GL 301-2	30	1-2	24	28.5	14	19	320 0030 0000
GPN 320 GL 321-2	32	1-2	26	30.5	14	19	320 0032 0000
GPN 320 GL 341-2	34	1-2	28	32.5	14	19	320 0034 0000
GPN 320 GL 351-2	35	1-2	29	33.5	14	19	320 0035 0000
GPN 320 GL 361-2	36	1-2	30	34.5	14	19	320 0036 0000
GPN 320 GL 381-2	38	1-2	32	36.5	14	19	320 0038 0000
GPN 320 GL 401-2	40	1-2	34	38.5	14	19	320 0040 0000
GPN 320 GL 421-2	42	1-2	36	40.5	14	19	320 0042 0000
GPN 320 GL 451-2	45	1-2	39	43.5	14	19	320 0045 0000
GPN 320 GL 481-2	48	1-2	42	46.5	14	19	320 0048 0000
GPN 320 GL 501-2	50	1-2	43	48.5	17	22	320 0050 0000
GPN 320 GL 551-2	55	1-2	48	53.5	17	22	320 0055 0000
GPN 320 GL 601-2	60	1-2	53	58.5	17	22	320 0060 0000
GPN 320 GL 602-3	60	2-3	51	56.5	17	22	320 0603 0000
GPN 320 GL 702-3	70	2-3	61	66.5	17	22	320 0070 0000
GPN 320 GL 703-4	70	3-4	59	64.5	17	22	320 0703 0000
GPN 320 GL 762-3	76	2-3	67	72.5	17	22	320 0076 0000
GPN 320 GL 763-4	76	3-4	65	70.5	17	22	320 0763 0000
GPN 320 GL 902-3	90	2-3	81	86.5	17	22	320 0090 0000
GPN 320 GL 903-4	90	3-4	79	84.5	17	22	320 0903 0000
GPN 320 GL 1022-3	102	2-3	93	98.5	17	22	320 0102 0000
GPN 320 GL 1023-4	102	3-4	91	96.5	17	22	320 1023 0000

Size in mm

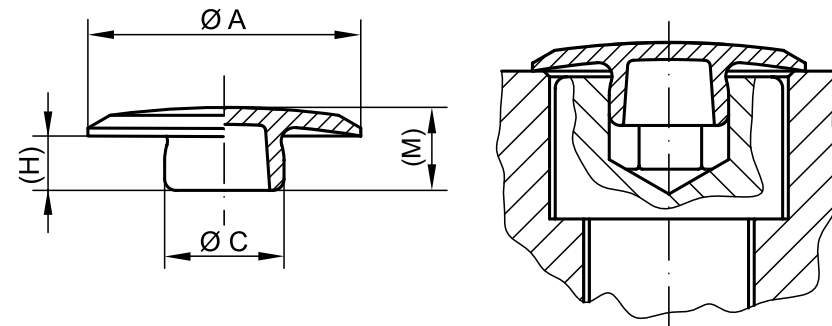
For information regarding materials, colours, drawings and the use of our items, please refer to pages 124/125.

You might also be interested in the following products:  
GPN 260, GPN 270, GPN 280, GPN 1000

## COVERS

# GPN 340

 MK Slovenia  
 MK Croatia  
 MK Serbia

**Free test samples:**  
 (+386) 04 510 53 60  
 (+385) 051 213 060  
 (+381) 011 25 21 756


**Standard colour:** Grey  
**Material:** PE-LD


**Better fit.**

Suitable for countersunk hexagonal socket head screws in accordance with DIN EN ISO 4762 and locking screws conforming to DIN 908.

item	Suitable for screws		Dimensions				Order no.
	Thread	Hexagon socket width across flats	A	C	(H)	(M)	
GPN 340 SW 2.5	M 3	2.5	10	2.8	2.2	4	340 0025 0000
GPN 340 SW 3	M 4	3	12	3.3	2.3	4.3	340 0030 0000
GPN 340 SW 4	M 5	4	14	4.4	2.9	4.9	340 0040 0000
GPN 340 SW 5	M 6	5	15	5.4	3.3	5.3	340 0050 0000
GPN 340 SW 6	M 8	6	19	6.3	4	6.1	340 0060 0000
GPN 340 SW 8	M 10	8	22	8.5	4.5	7	340 0080 0000
GPN 340 SW 10	M 12	10	24	10.5	5	7.3	340 0100 0000
GPN 340 SW 14	M 16	14	30	14.5	7.1	9.7	340 0140 0000
GPN 340 SW 17	M 20	17	36.5	17.5	9	11.6	340 0170 0000

Size in mm

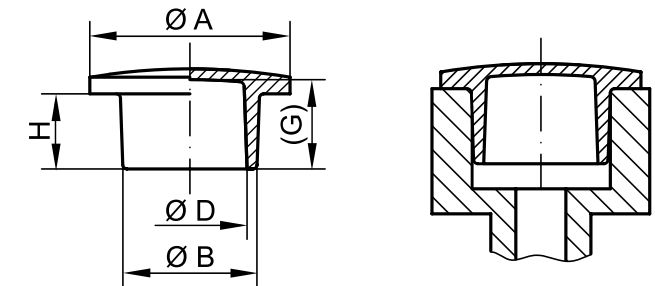
For information regarding materials, colours, drawings and the use of our items, please refer to pages 124/125.

You might also be interested in the following products: GPN 300 F, GPN 500, GPN 600

## CLOSURES

# GPN 350

 MK Slovenia  
 MK Croatia  
 MK Serbia

**Free test samples:**  
 (+386) 04 510 53 60  
 (+385) 051 213 060  
 (+381) 011 25 21 756


Inner application



**Standard colour:** Natural  
**Material:** PE-LD


**More versatile.**

Can be used as plug or cap.


**Cleaner.**

Upon request, we can manufacture in the specially designed cleanroom in accordance with VDA Volume 19 and ISO 16232. For further information, please refer to page 129.


**Better.**

Suitable for bore holes, studs, conductors and threads.

item	Inner application					Order no.
	A	B	H	D	(G)	
GPN 350 I 11	13	5.8	6	3.8	7.3	350 0001 0000
GPN 350 I 12	13	6.2	6	3.8	7.3	350 0002 0000
GPN 350 I 13	13	6.4	9	5	10.8	350 0003 0000
GPN 350 I 14	13	7.1	6	4.7	7.8	350 0004 0000
GPN 350 I 4.5	13	7.4	6	5	7.8	350 0450 0000
GPN 350 I 5	13	8.2	6	5.8	7.8	350 0005 0000
GPN 350 I 6	13	7.8	9	6	10.8	350 0006 0000
GPN 350 I 6.5	13	8.7	6	6.9	7.3	350 0650 0000
GPN 350 I 7	13	9.3	6	7.7	7.3	350 0007 0000
GPN 350 I 7.5	16	9.8	8.5	7.5	9.8	350 0750 0000
GPN 350 I 8	16	10.4	8	8.1	9	350 0008 0000
GPN 350 I 9	16	10.4	11	8	12.8	350 0009 0000
GPN 350 I 10	16	10.8	8	8.8	9.8	350 0010 0000
GPN 350 I 11	16	11.3	8	9.4	9.3	350 0011 0000
GPN 350 I 12	16	11.9	13	9.7	14.5	350 0012 0000
GPN 350 I 13	16	11.9	8	9.7	9.2	350 0013 0000
GPN 350 I 13.5	19	12.5	8	10.5	9.8	350 1350 0000
GPN 350 I 14	19	12.9	8	10.9	9.8	350 0014 0000
GPN 350 I 14.5	19	13.4	8	11.4	9.8	350 1450 0000
GPN 350 I 15	19	13.9	8	11.7	9.8	350 0015 0000
GPN 350 I 16	19	14	16	11.7	17.7	350 0016 0000
GPN 350 I 17	19	14.5	8	12.5	9.3	350 0017 0000
GPN 350 I 18	19	15	8	13	9.3	350 0018 0000
GPN 350 I 18.5	19	15.3	9	13.3	10.7	350 1850 0000
GPN 350 I 20	24	15.9	9	13.7	10.7	350 0020 0000
GPN 350 I 20.5	24	16.5	9	14.2	10.7	350 2050 0000
GPN 350 I 21	24	17	9	14.7	10.6	350 0021 0000
GPN 350 I 21.5	24	17.3	9	15	10.7	350 2150 0000
GPN 350 I 22	24	17.8	22	14.7	23.3	350 0022 0000
GPN 350 I 23	24	17.7	9	15.7	10.7	350 0023 0000
GPN 350 I 24	24	18.3	9	16.5	10.7	350 0024 0000
GPN 350 I 24.5	26	19.1	8.5	16.8	10.7	350 2450 0000
GPN 350 I 25	26	19.9	10	17.7	12.2	350 0025 0000
GPN 350 I 26	26	20.9	10	18.7	12.2	350 0026 0000
GPN 350 I 27	26	21.5	26	18.7	28.2	350 0027 0000
GPN 350 I 28	26	22	10	19.7	12.2	350 0028 0000
GPN 350 I 29	26	22.7	10	20.5	12.2	350 0029 0000
GPN 350 I 30	29	23.2	10	21.2	12.2	350 0030 0000
GPN 350 I 31	29	23.7	10	21.7	12.2	350 0031 0000
GPN 350 I 32	29	24.4	10	23	12.2	350 0032 0000

Size in mm

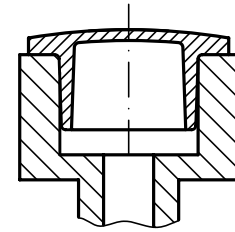
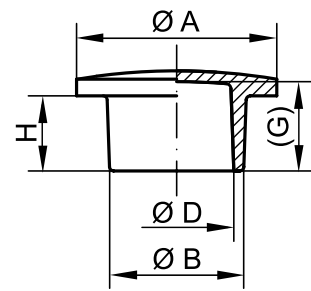
» Continued on page 72

For information regarding materials, colours, drawings and the use of our items, please refer to pages 124/125.

You might also be interested in the following products: GPN 300, GPN 351, GPN 608, GPN 610

## CLOSURES

# GPN 350



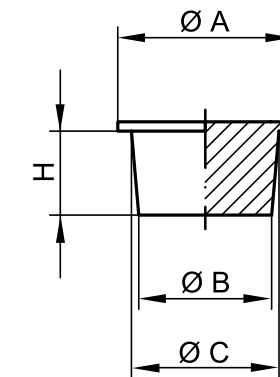
Inner application

**Free test samples:**  
 MK Slovenia (+386) 04 510 53 60  
 MK Croatia (+385) 051 213 060  
 MK Serbia (+381) 011 25 21 756



## TAPERED PLUGS

# GPN 500



**Free test samples:**  
 MK Slovenia (+386) 04 510 53 60  
 MK Croatia (+385) 051 213 060  
 MK Serbia (+381) 011 25 21 756



« Continued from page 71



**Standard colour:** Natural  
**Material:** PE-LD

**+** **More versatile.**  
 Can be used as plug or cap.

**VDA Band 19**  
**Cleaner.**  
 Upon request, we can manufacture in the specially designed cleanroom in accordance with VDA Volume 19 and ISO 16232. For further information, please refer to page 129.

**i** **Better.**  
 Suitable for bore holes, studs, conductors and threads.

item	Inner application					Order no.
	A	B	H	D	(G)	
GPN 350 133	29	25	10	23.7	12.2	350 0033 0000
GPN 350 135	33	26.3	11	24.9	13.2	350 0035 0000
GPN 350 136	33	27.2	11	25.2	13.2	350 0036 0000
GPN 350 137	33	28.3	11	25.7	13.2	350 0037 0000
GPN 350 138	33	29.3	11	26.9	12.5	350 0038 0000
GPN 350 139	36	30.1	11	27.9	12.6	350 0039 0000
GPN 350 140	36	30.4	11	28.3	13.2	350 0040 0000
GPN 350 140.5	36	30.7	11	28.6	13.2	350 4050 0000
GPN 350 140.8	36	31.3	11	29.2	13.2	350 4080 0000
GPN 350 141	36	32	11	29.7	12.5	350 0041 0000
GPN 350 142	36	32.8	11	30.5	13.2	350 0042 0000
GPN 350 143	42	33.9	12	31.5	14.2	350 0043 0000
GPN 350 144	42	34.5	12	32.5	14.2	350 0044 0000
GPN 350 145	42	35.3	12	32.4	14.2	350 0045 0000
GPN 350 146	42	36.5	12	34.7	14.2	350 0046 0000
GPN 350 147	45	38	12	35.7	14.2	350 0047 0000
GPN 350 148	45	38.9	12	36.7	14.2	350 0048 0000
GPN 350 149	45	39.4	12	37.5	14.2	350 0049 0000
GPN 350 150	45	40.2	12	38.5	14.2	350 0050 0000
GPN 350 151	50	41.8	12	39.5	13.7	350 0051 0000
GPN 350 152	50	43.7	12	41.5	14.2	350 0052 0000
GPN 350 153	50	44.8	12	42	14.2	350 0053 0000
GPN 350 1531	56	46.8	12	44.5	13.7	350 0531 0000
GPN 350 154	56	46.8	12	44.5	13.7	350 0054 0000
GPN 350 1541	55	48.3	12	46.3	14.2	350 0541 0000
GPN 350 155	56	48.7	12	46.7	14.2	350 0055 0000
GPN 350 156	56	50.5	20	47.5	22.2	350 0056 0000
GPN 350 157	62	54	13	51.5	14.2	350 0057 0000
GPN 350 1570	65	59.4	15	56.9	15	350 0570 0000
GPN 350 1571	65	60.8	18	56.8	18	350 0571 0000
GPN 350 158	72	62.5	14	59.2	16	350 0058 0000
GPN 350 1581	85	79.5	18	76.5	18	350 0581 0000
GPN 350 159	88	75.6	14	72.9	16.5	350 0059 0000
GPN 350 160	92	88.5	20	85	20	350 0060 0000

Size in mm

For information regarding materials, colours, drawings and the use of our items, please refer to pages 124/125.

You might also be interested in the following products: GPN 300, GPN 351, GPN 608, GPN 610



**Standard colour:** Natural  
**Material:** PE-LD

**⚒** **More robust.**  
 Solid design for increased demands.

**+** **More versatile.**  
 Tapered plug to accommodate tolerances.

**i** **Better.**  
 For closing internal threads and bore holes.

item	Suitable for external	Dimensions				Order no.
	Thread	A	B	C	H	
GPN 500 B 31	M 4	5.5	3.2	3.5	3	500 0031 0000
GPN 500 B 41	M 5	7.5	4.1	4.5	3	500 0041 0000
GPN 500 B 43	M 5 × 0.5	8	4.4	4.7	3	500 0043 0000
GPN 500 B 47	M 6	8	4.9	5.4	4	500 0047 0000
GPN 500 B 53	M 6 × 0.5	8.5	5.4	5.6	3	500 0053 0000
GPN 500 B 58	M 7	9	5.8	6.1	4	500 0058 0000
GPN 500 B 64	M 8	9	6.4	6.8	4	500 0064 0000
GPN 500 B 68	M 8 × 1	10	6.8	7.2	4	500 0068 0000
GPN 500 B 78	M 9 × 1	11	7.8	8.2	4	500 0078 0000

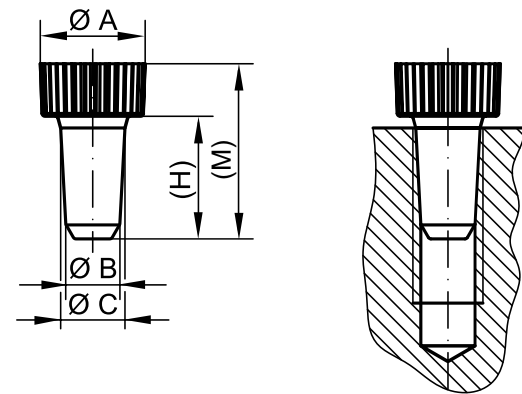
Size in mm

For information regarding materials, colours, drawings and the use of our items, please refer to pages 124/125.

You might also be interested in the following products: GPN 305, GPN 551, GPN 600

## SCREW-IN PLUGS

# GPN 550






item	Suitable for external Thread	Dimensions					Order no.
		A	B	C	(H)	(M)	
GPN 550 / 002	M 2	7	1.3	2	7	14	550 0002 0000
GPN 550 / 003	M 3	7	2.1	3	12	19	550 0003 0000
GPN 550 / 004	M 4	8	2.8	4	15	22	550 0004 0000
GPN 550 / 005	M 5	9	3.6	5	18	27	550 0005 0000
GPN 550 / 006	M 6	11	4.3	5.8	18	27	550 0006 0000
GPN 550 / 007	M 7	10.5	5	6.5	18	27	550 0007 0000
GPN 550 / 008	M 8	14	6	7.5	18	27	550 0008 0000
GPN 550 / 009	M 9	14	6.5	8.5	18	27	550 0009 0000
GPN 550 / 010	M 10	16	7.6	9.3	21	30	550 0010 0000
GPN 550 / 012	M 12	18	9.3	11	21	30	550 0012 0000

Size in mm

For information regarding materials, colours, drawings and the use of our items, please refer to pages 124/125.

You might also be interested in the following products: GPN 551, GPN 605, GPN 700

Standard colour: Yellow  
Material: PE-LD

-  **More robust.**  
Thick-walled shaft for increased demands.
-  **More versatile.**  
Tapered plug to accommodate tolerances.
-  **Better.**  
Self-tapping plug for tight closure of threads or bore holes. Ideal for painting processes.

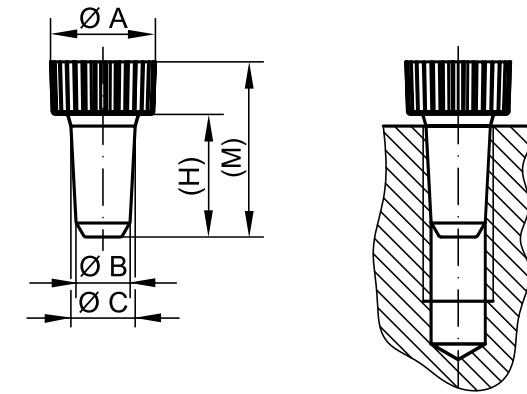
## Free test samples:

MK Slovenia (+386) 04 510 53 60  
MK Croatia (+385) 051 213 060  
MK Serbia (+381) 011 25 21 756



## SCREW-IN PLUGS

# GPN 551






item	Suitable for external Thread	Dimensions					Order no.
		A	B	C	(H)	(M)	
GPN 551 / 002	M 2	7	1.3	2	7	14	551 0002 0000
GPN 551 / 003	M 3	7	2.1	3	12	19	551 0003 0000
GPN 551 / 004	M 4	8	2.8	4	15	22	551 0004 0000
GPN 551 / 005	M 5	9	3.6	5	18	27	551 0005 0000
GPN 551 / 006	M 6	11	4.3	5.8	18	27	551 0006 0000
GPN 551 / 007	M 7	10.5	5	6.5	18	27	551 0007 0000
GPN 551 / 008	M 8	14	6	7.5	18	27	551 0008 0000
GPN 551 / 009	M 9	14	6.5	8.5	18	27	551 0009 0000
GPN 551 / 010	M 10	16	7.6	9.3	21	30	551 0010 0000
GPN 551 / 012	M 12	18	9.3	11	21	30	551 0012 0000

Size in mm

For information regarding materials, colours, drawings and the use of our items, please refer to pages 124/125.

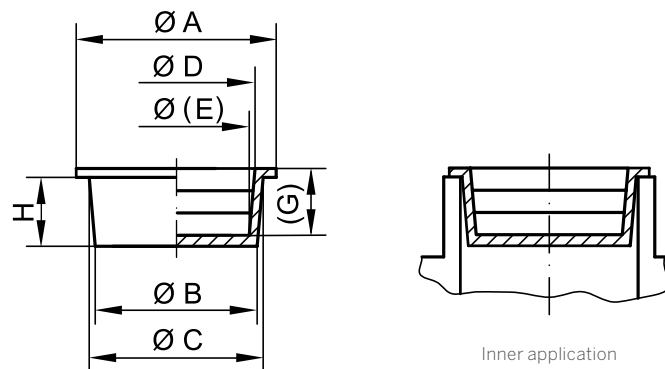
You might also be interested in the following products: GPN 550, GPN 605, GPN 700

Standard colour: Red  
Material: PHT

-  **Higher temperature resistance.**  
Heat resistant to 180 °C. More details: page 125 "Physical properties".
-  **More robust.**  
Thick-walled shaft for increased demands.
-  **More versatile.**  
Tapered plug to accommodate tolerances.
-  **Better.**  
Self-tapping plug for tight closure of threads or bore holes. Ideal for painting processes.

TAPERED CLOSURES  
**GPN 600**

Free test samples:  
MK Slovenia (+386) 04 510 53 60  
MK Croatia (+385) 051 213 060  
MK Serbia (+381) 011 25 21 756



Standard colour: Natural  
Material: PE-LD; PE-LLD (from GPN 600 B 915)

**±** **More versatile.**  
Can be used universally as plug or cap. The tapered design is ideal for accommodating tolerances.

**i** **Better.**  
To close off bore holes and internal threads, or to protect studs and external threads.

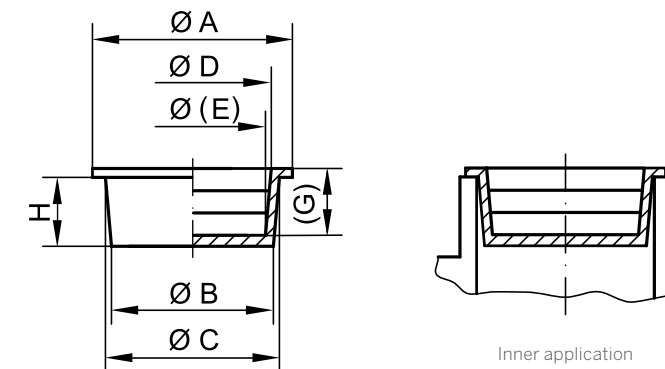
item	Inner application							Order no.
	A	B	C	H	D	(E)	(G)	
GPN 600 B 81	11	8.1	9.2	7.2	7.8	6.6	7	600 0081 0000
GPN 600 B 98	12	9.8	11	7.2	9.6	8.4	7	600 0098 0000
GPN 600 B 106	14	10.6	11.6	7	10	8.8	6.9	600 0106 0000
GPN 600 B 114	15	11.4	12.4	7	11.2	10	6.8	600 0114 0000
GPN 600 B 133	16	13.3	14.4	7	12.8	11.6	6.8	600 0133 0000
GPN 600 B 140	17	14	15.1	7.2	13.6	12.4	6.9	600 0140 0000
GPN 600 B 146	18	14.6	15.6	7.2	14.5	13.3	6.9	600 0146 0000
GPN 600 B 153	18	15.3	16.4	7	14.8	13.6	7	600 0153 0000
GPN 600 B 160	20	16	17.3	9	16.2	14.6	8.8	600 0160 0000
GPN 600 B 174	21	17.4	18.8	9.2	18	16.4	8.8	600 0174 0000
GPN 600 B 182	22	18.2	19.6	9	18.8	17.2	8.8	600 0182 0000
GPN 600 B 187	24	18.7	20	9.2	19	17.7	8.7	600 0187 0000
GPN 600 B 198	24	19.8	21.2	8.8	19.7	18.3	8.8	600 0198 0000
GPN 600 B 203	25	20.3	22.6	14	20.8	18.4	13.8	600 0203 0000
GPN 600 B 212	26	21.2	23.3	14.2	22	19.6	14	600 0212 0000
GPN 600 B 230	28	23	25	14	24	21.6	13.8	600 0230 0000
GPN 600 B 243	30	24.3	26.4	14	25	22.6	13.6	600 0243 0000
GPN 600 B 257	30	25.7	27.8	14.2	26.8	24.4	13.8	600 0257 0000
GPN 600 B 272	32	27.2	29.3	14	27	24.6	13.8	600 0272 0000
GPN 600 B 300	35	30	32	14	30.6	28.4	13.8	600 0300 0000
GPN 600 B 320	38	32	34	14	32	29.6	14	600 0320 0000
GPN 600 B 336	40	33.6	36	14	34	31.6	14	600 0336 0000
GPN 600 B 345	41	34.5	37	14	35	32.6	14	600 0345 0000
GPN 600 B 355	42	35.5	38.1	14	35.5	33.1	14	600 0355 0000
GPN 600 B 360	42	36.2	38.4	14	36	33.6	14	600 0360 0000
GPN 600 B 379	44	37.9	40	13.8	38	35.6	13.8	600 0379 0000
GPN 600 B 385	43	38.5	41	14	39.5	37.1	14	600 0385 0000
GPN 600 B 398	46	39.8	42	14	39.5	37.1	14	600 0398 0000
GPN 600 B 413	47	41.3	43.5	14	41.5	39.1	14	600 0413 0000
GPN 600 B 439	51.5	43.9	46	13.5	42	40.2	13.6	600 0439 0000
GPN 600 B 455	52	45.5	47.5	13.5	45	43	13.6	600 0455 0000
GPN 600 B 479	54	47.9	50	13.5	46.5	44.1	13.6	600 0479 0000
GPN 600 B 498	56	49.8	51.6	13.3	48.5	46.1	13.5	600 0498 0000
GPN 600 B 505	55	50.5	53.3	14	51.3	48.8	14.2	600 0505 0000
GPN 600 B 525	58	52.5	54.9	13.5	52.5	50.6	13.5	600 0525 0000
GPN 600 B 545	60	54.5	56.2	13.5	54	51.6	13.5	600 0545 0000
GPN 600 B 555	61	55.5	58	13.6	55	52.6	13.5	600 0555 0000
GPN 600 B 570	63	57	59	13.4	56.8	54.5	13.5	600 0570 0000
GPN 600 B 585	64	58.5	60.8	13.5	58	55.6	13.5	600 0585 0000
GPN 600 B 605	66	60.5	63	13.5	60	57.6	14	600 0605 0000
GPN 600 B 613	67	61.3	63.5	13	61	58.6	13.5	600 0613 0000
GPN 600 B 625	68	62.5	64.8	13.2	62	59.6	13.5	600 0625 0000
GPN 600 B 635	69	63.5	65.7	13	63	60.1	13.5	600 0635 0000
GPN 600 B 650	71	65	67.3	13	64.5	62.3	13.3	600 0650 0000
GPN 600 B 660	72	66	67.5	13	65	62.6	13	600 0660 0000
GPN 600 B 679	73	67.9	69.5	12.8	66	64.6	13.5	600 0679 0000
GPN 600 B 698	75	69.8	71.7	13	68	66	13.5	600 0698 0000
GPN 600 B 715	77	71.5	73.4	13	70	67.6	13	600 0715 0000
GPN 600 B 728	79	72.8	74	13	70	67.6	13.5	600 0728 0000
GPN 600 B 740	85	74	76.6	17	73	69.9	17	600 0740 0000
GPN 600 B 765	87	76.5	79	16.8	76.5	73.4	17.2	600 0765 0000
GPN 600 B 775	88	77.5	80	17	76	72.9	17.2	600 0775 0000

Size in mm

» Continued on page 77

TAPERED CLOSURES  
**GPN 600**

Free test samples:  
MK Slovenia (+386) 04 510 53 60  
MK Croatia (+385) 051 213 060  
MK Serbia (+381) 011 25 21 756



Standard colour: Natural  
Material: PE-LD; PE-LLD (from GPN 600 B 915)

**±** **More versatile.**  
Can be used universally as plug or cap. The tapered design is ideal for accommodating tolerances.

**i** **Better.**  
To close off bore holes and internal threads, or to protect studs and external threads.

For information regarding materials, colours, drawings and the use of our items, please refer to pages 124/125.

« Continued from page 76

item	Inner application							Order no.
	A	B	C	H	D	(E)	(G)	
GPN 600 B 790	90	79	82	17	78	75.4	17.2	600 0790 0000
GPN 600 B 815	92	81.5	83.6	16.5	80	76.9	17	600 0815 0000
GPN 600 B 820	89	82	86	23	83.9	79.7	23.5	600 0820 0000
GPN 600 B 840	95	84	87.1	16.5	83	79.9	17	600 0840 0000
GPN 600 B 865	97	86.5	89	17.5	86	82.9	18	600 0865 0000
GPN 600 B 890	100	89	91.5	17	89	86.5	17.5	600 0890 0000
GPN 600 B 915	102	91.5	94	17	92	88.9	17.5	600 0915 0000
GPN 600 B 940	105	94	96	17	92	90	17.5	600 0940 0000
GPN 600 B 965	107	96.5	99	17	96	92.9	17.5	600 0965 0000
GPN 600 B 990	110	99	102.5	17	99	95.9	17.5	600 0990 0000
GPN 600 B 1015	112	101.5	104	17	102	98.9	17.3	600 1015 0000
GPN 600 B 1040	115	104	106.5	17	104	100.9	17.5	600 1040 0000
GPN 600 B 1065	117	106.5	109	17	106	102.9	17.2	600 1065 0000
GPN 600 B 1090	120	109	111	17	108	105	17.5	600 1090 0000
GPN 600 B 1120	123	112	114.5	17	112.5	109.4	17	600 1120 0000
GPN 600 B 1140	125	114	117	16.6	114.5	111.4	17.2	600 1140 0000
GPN 600 B 1143	124.5	114.3	119.2	28	117.1	112.1	28.7	600 1143 0000
GPN 600 B 1190	130	119	123	23	120.2	116.1	23	600 1190 0000
GPN 600 B 1240	134	124	128	23	123	119.1	23	600 1240 0000
GPN 600 B 1275	137.6	127.5	130.6	23	127.6	123.6	22.5	600 1275 0000
GPN 600 B 1290	140	129	133	23	130.2	126.1	23.5	600 1290 0000
GPN 600 B 1330	143	134.5	137	23	133	129	22.5	600 1330 0000
GPN 600 B 1390	149	139	143	23	139	135	23	600 1390 0000
GPN 600 B 1468	159.5	146.8	152.6	33	149.9	144	33.5	600 1468 0000
GPN 600 B 1490	159	149	153	23	148	144.1	23.3	600 1490 0000
GPN 600 B 1535	163.6	153.5	157.5	23	153.6	149.6	23	600 1535 0000
GPN 600 B 1590	169	159	162	23	158	154	23	600 1590 0000
GPN 600 B 1600	170	160	164	23	160	156	23	600 1600 0000
GPN 600 B 1690	179	169	172	23	168	164	23	600 1690 0000
GPN 600 B 1740	184	174	177	23	173	169	22.5	600 1740 0000
GPN 600 B 1790	189	179	182	23	178	174	23	600 1790 0000
GPN 600 B 1815	192	181.5	184.5	23	180.5	176.5	23	600 1815 0000
GPN 600 B 1836	199.5	183.6	190.6	33	187.9	182	33.8	600 1836 0000
GPN 600 B 1990	209	199	202	22.5	198	194	22.5	600 1990 0000
GPN 600 B 2020	212	202	205	23	202.1	198.1	23	600 2020 0000
GPN 600 B 2030	213	203	205	23	202	199	23	600 2030 0000
GPN 600 B 2060	216	206	210.6	23.5	206	201.6	23.5	600 2060 0000
GPN 600 B 2180	235	218	222	22.5	217.4	213.5	22.5	600 2180 0000
GPN 600 B 2250*	242	225	229	23.5	225.4	221.3	23	600 2250 0000
GPN 600 B 2312	249.5	231.2	238.2	33	235.6	228.6	33.5	600 2312 0000
GPN 600 B 2490	267	249	252	22.5	248	244.1	22.5	600 2490 0000
GPN 600 B 2530	265	253	258	18	253	249.2	18	600 2530 0000
GPN 600 B 2934	314	293.4	300.2	32.5	296.7	289.8	33	600 2934 0000
GPN 600 B 2990	315	299	304	22.5	298	294.1	22.5	600 2990 0000
GPN 600 B 3080	326	308	313	21.8	308	303.4	21.8	600 3080 0000
GPN 600 B 3110	329	311	316	22	311	306.4	21.7	600 3110 0000
GPN 600 B 3380	358	338	343	22	338	333.4	21.8	600 3380 0000
GPN 600 B 3719*	399	371.9	381	32.5	377.7	368.4	32.8	600 3719 0000
GPN 600 B 3980	415	398	406	30	399	392.7	29.8	600 3980 0000
GPN 600 B 4350	455	435	443	30	437	430.7	30	600 4350 0000
GPN 600 B 4654	499	465.4	476.7	32	472.8	461.3	33	600 4654 0000
GPN 600 B 4840	506	484	491	30	486	479.7	30	600 4840 0000

Size in mm

» Guide values for internal use can be found on page 78

\*These sizes are supplied with bore.

TAPERED CLOSURES

# GPN 600

 MK Slovenia  
 MK Croatia  
 MK Serbia

**Free test samples:**  
 (+386) 04 510 53 60  
 (+385) 051 213 060  
 (+381) 011 25 21 756


## Application Guide Data for Internal Use

Metric threads					
Standard thread	Fine thread			Pipe thread	item
M 10	M 10 × 1			1/8	GPN 600 B 81
M 12	M 12 × 1	M 12 × 1.5			GPN 600 B 98
					GPN 600 B 106
M 14				1/4	GPN 600 B 114
M 16	M 15 × 1				GPN 600 B 133
					GPN 600 B 140
M 18				3/8	GPN 600 B 146
	M 17 × 1	M 18 × 2			GPN 600 B 153
					GPN 600 B 160
		M 20 × 1.5	M 20 × 2		GPN 600 B 174
	M 20 × 1			1/2	GPN 600 B 182
M 22					GPN 600 B 187
M 24		M 22 × 1.5		5/8	GPN 600 B 198
			M 24 × 2		GPN 600 B 203
		M 24 × 1.5			GPN 600 B 212
M 27		M 26 × 1.5	M 26 × 2	3/4	GPN 600 B 230
	M 27 × 1	M 27 × 1.5	M 28 × 2		GPN 600 B 243
M 30	M 28 × 1	M 28 × 1.5			GPN 600 B 257
		M 30 × 1.5	M 30 × 2	7/8	GPN 600 B 272
			M 32 × 3		GPN 600 B 300
	M 32 × 1	M 33 × 1.5	M 33 × 2		GPN 600 B 300
	M 34 × 1	M 35 × 1.5	M 35 × 2		GPN 600 B 320
			M 36 × 3		GPN 600 B 320
M 39	M 36 × 1	M 36 × 1.5	M 37 × 2	1 1/8	GPN 600 B 336
	M 37 × 1	M 37 × 1.5	M 38 × 2		GPN 600 B 345
M 42	M 38 × 1	M 38 × 1.5	M 39 × 2		GPN 600 B 355
M 42		M 39 × 1.5	M 39 × 2		GPN 600 B 360
	M 40 × 1	M 40 × 1.5	M 42 × 2	1 1/4	GPN 600 B 379
M 45		M 42 × 1.5	M 42 × 3		GPN 600 B 385
	M 42 × 1		M 45 × 3		GPN 600 B 398
			M 45 × 4		GPN 600 B 413
M 48		M 45 × 2		1 3/8	GPN 600 B 439
			M 48 × 3	1 1/2	GPN 600 B 455
M 52	M 48 × 1	M 48 × 1.5	M 50 × 3		GPN 600 B 455
	M 50 × 1	M 50 × 1.5	M 52 × 3	1 3/4	GPN 600 B 479
	M 52 × 1				GPN 600 B 498
			M 55 × 3		GPN 600 B 505
M 60	M 55 × 1	M 55 × 1.5	M 56 × 2		GPN 600 B 505
					GPN 600 B 525
					GPN 600 B 545
	M 58 × 1	M 58 × 1.5	M 60 × 3	2	GPN 600 B 555
		M 60 × 1.5			GPN 600 B 570
			M 60 × 2		GPN 600 B 585
			M 62 × 2		GPN 600 B 585
M 68			M 64 × 2		GPN 600 B 605
		M 64 × 1.5	M 65 × 2	2 1/4	GPN 600 B 613
	M 64 × 1				GPN 600 B 625
			M 68 × 3		GPN 600 B 625
			M 64 × 4		GPN 600 B 635
			M 68 × 4		GPN 600 B 650
			M 68 × 2		GPN 600 B 679
			M 72 × 3		GPN 600 B 679
				2 1/2	GPN 600 B 715
		M 75 × 2			GPN 600 B 715
		M 76 × 2			GPN 600 B 728
			M 80 × 4		GPN 600 B 740
				2 3/4	GPN 600 B 765
					GPN 600 B 775
			M 85 × 4		GPN 600 B 790
					GPN 600 B 815
				3	GPN 600 B 820
			M 90 × 4		GPN 600 B 840
			M 90 × 6		GPN 600 B 840
			M 95 × 6		GPN 600 B 865
			M 95 × 4	3 1/4	GPN 600 B 890
					GPN 600 B 915
			M 100 × 6		GPN 600 B 940
			M 100 × 4	3 1/2	GPN 600 B 965
			M 105 × 6		GPN 600 B 990
			M 105 × 4		GPN 600 B 1015
			M 110 × 6		GPN 600 B 1040
			M 110 × 4		GPN 600 B 1040

« Dimensions on pages 76/77

» Continued on page 79

TAPERED CLOSURES

# GPN 600

 MK Slovenia  
 MK Croatia  
 MK Serbia

**Free test samples:**  
 (+386) 04 510 53 60  
 (+385) 051 213 060  
 (+381) 011 25 21 756


« Continued from page 78

Metric threads					
Standard thread	Fine thread			Pipe thread	item
		M 110 × 2			GPN 600 B 1065
			M 115 × 4	4	GPN 600 B 1090
		M 115 × 2			GPN 600 B 1120
			M 120 × 4		GPN 600 B 1140
		M 120 × 2			GPN 600 B 1143
			M 125 × 6		GPN 600 B 1190
			M 130 × 4		GPN 600 B 1240
					GPN 600 B 1275
			M 140 × 4	5	GPN 600 B 1330
				5 1/2	GPN 600 B 1468
		M 155 × 3			GPN 600 B 1490
		M 160 × 3			GPN 600 B 1535
				6	GPN 600 B 1590
			M 165 × 3		GPN 600 B 1600
			M 170 × 6		GPN 600 B 1815
			M 190 × 6		GPN 600 B 1815
		M 190 × 3			GPN 600 B 1836
			M 210 × 6		GPN 600 B 2020

This application table is a guide only. We will be happy to send you free samples for testing. For apertures and bore holes without thread, please use dimensions B and C.

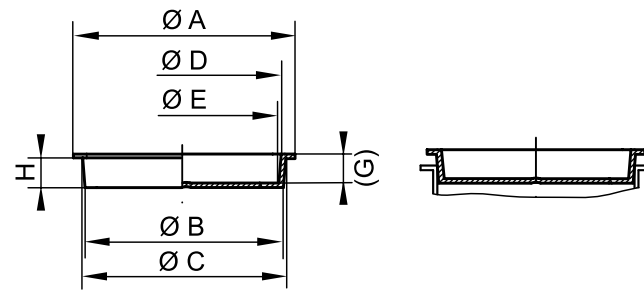
For information regarding materials, colours, drawings and the use of our items, please refer to pages 124/125.

You might also be interested in the following products: **GPN 602, GPN 608, GPN 610**

THIN WALLED TAPERED CLOSURES

# GPN 601

 MK Slovenia  
 MK Croatia  
 MK Serbia

**Free test samples:**  
 (+386) 04 510 53 60  
 (+385) 051 213 060  
 (+381) 011 25 21 756

**Standard colour:** Red  
**Material:** PE-LD

- 
**Saves time.**  
 Easy handling due to being a thinner walled version of the GPN 600.
- 
**Lighter.**  
 Less material used during production.
- 
**More versatile.**  
 Can be used universally as plug or cap. The tapered design is ideal for accommodating tolerances.
- 
**Cleaner.**  
 Upon request, we can manufacture in the specially designed cleanroom in accordance with VDA Volume 19 and ISO 16232. For further information, please refer to page 129.
- 
**Better.**  
 To close off bore holes and internal openings, or to protect studs and external threads.

item	Inner application				External application			Order no.
	A	B	C	H	D	E	(G)	
GPN 601 D 728	79	68.7	71.2	13.5	69.6	67.2	13.5	601 0728 0000
GPN 601 D 1055*	110	103	105.5	16	104	102	17	601 1055 0000
GPN 601 D 1070	117	105	107	16	106	103.5	17.2	601 1070 0000
GPN 601 D 1090	117	107	109	17	108	106	19	601 1090 0000
GPN 601 D 1215	128	119.5	121.5	15.3	120	118	15.9	601 1215 0000
GPN 601 D 1230	130	120	123	23	121.5	118	24.4	601 1230 0000
GPN 601 D 1290	136	126	129	25	128	125	26.5	601 1290 0000
GPN 601 D 1306	136	128	130.6	23	129	127	24.2	601 1306 0000
GPN 601 D 1380	144	135	138	23	137	134	24.4	601 1380 0000

Size in mm

For information regarding materials, colours, drawings and the use of our items, please refer to pages 124/125.

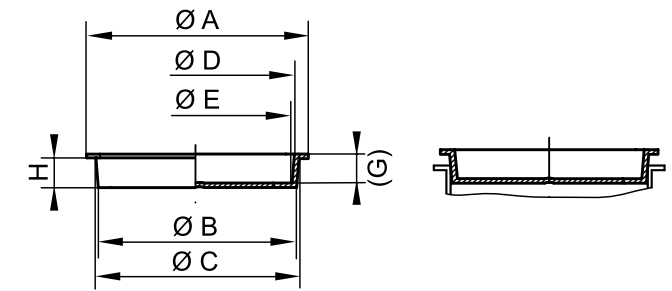
\*This size is supplied with bore hole.






You might also be interested in the following products: GPN 600, GPN 602

THIN WALLED TAPERED CLOSURES

# GPN 602

 MK Slovenia  
 MK Croatia  
 MK Serbia

**Free test samples:**  
 (+386) 04 510 53 60  
 (+385) 051 213 060  
 (+381) 011 25 21 756

**Standard colour:** Red  
**Material:** PP

- 
**Saves time.**  
 Easy handling due to being a thinner walled version of the GPN 600.
- 
**Lighter.**  
 Less material used during production.
- 
**More versatile.**  
 Can be used universally as plug or cap. The tapered design is ideal for accommodating tolerances.
- 
**Cleaner.**  
 Upon request, we can manufacture in the specially designed cleanroom in accordance with VDA Volume 19 and ISO 16232. For further information, please refer to page 129.
- 
**Better.**  
 To close off bore holes and internal openings, or to protect studs and external threads.

item	Inner application				External application			Order no.
	A	B	C	H	D	E	(G)	
GPN 602 D 1055*	110	103	105	16	104	102	17	602 1055 0000
GPN 602 D 1070	117	104.5	107	16	106	103.5	17.2	602 1070 0000
GPN 602 D 1090	117	106	109	17	107.5	106	18.4	602 1090 0000
GPN 602 D 1230	130	119.5	123	23	122	118	24.4	602 1230 0000
GPN 602 D 1290	136	126	129	25	128	127	26.5	602 1290 0000
GPN 602 D 1306	136.5	128	130.6	23	129	127	24.2	602 1306 0000
GPN 602 D 1380	144	135	138	23	137	134	24.4	602 1380 0000

Size in mm

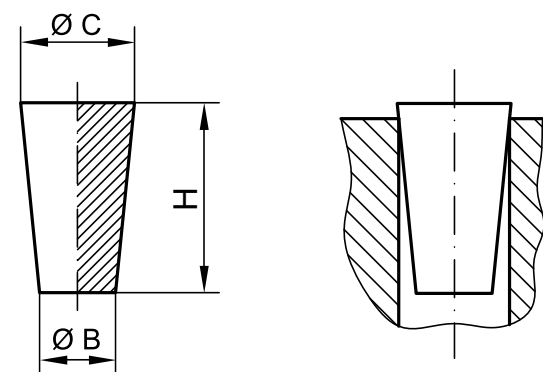
For information regarding materials, colours, drawings and the use of our items, please refer to pages 124/125.

\*This size is supplied with bore hole.

You might also be interested in the following products: GPN 610, GPN 615, GPN 620

TAPERED PLUGS

# GPN 605



Standard colour: Natural  
 Material: SI

**Higher temperature resistance.**  
 Extremely heat resistant up to 250°C. More details: page 125, "Physical properties".

**More robust.**  
 Solid design for increased demands.

**More versatile.**  
 The tapered design is ideal for accommodating large tolerances.

**Better.**  
 Suitable for closing off apertures, bore holes and internal threads.

item	Dimensions			Order no.
	B	C	H	
GPN 605 / 0832	0.8	3.2	16	605 0832 0000
GPN 605 / 1632	1.6	3.2	16	605 1632 0000
GPN 605 / 1648	1.6	4.8	16	605 1648 0000
GPN 605 / 3263	3.2	6.3	19	605 3263 0000
GPN 605 / 4887	4.8	8.7	16	605 4887 0000
GPN 605 / 6395	6.3	9.5	19	605 6395 0000
GPN 605 / 6312	6.3	9.5	13	605 6312 0000
GPN 605 / 9012	9	12	18	605 9012 0000
GPN 605 / 1015	10	15	25	605 1015 0000
GPN 605 / 1317	13	17	25	605 1317 0000
GPN 605 / 1419	14	19	25	605 1419 0000
GPN 605 / 1620	16	20	25	605 1620 0000
GPN 605 / 1824	18	24	25	605 1824 0000
GPN 605 / 2026	20	26	25	605 2026 0000
GPN 605 / 2327	23	27	25	605 2327 0000
GPN 605 / 2428	24	28	25	605 2428 0000
GPN 605 / 2632	26	32	25	605 2632 0000
GPN 605 / 2734	27	34	25	605 2734 0000
GPN 605 / 3037	30	37	25	605 3037 0000
GPN 605 / 3139	31	39	25	605 3139 0000
GPN 605 / 3341	33	41	25	605 3341 0000
GPN 605 / 3643	36	43	25	605 3643 0000
GPN 605 / 3745	37	45	25	605 3745 0000
GPN 605 / 3846	38	46	25	605 3846 0000
GPN 605 / 4250	42	50	25	605 4250 0000
GPN 605 / 4553	45	53	25	605 4553 0000
GPN 605 / 4856	48	56	25	605 4856 0000
GPN 605 / 6275	62	75	35	605 6275 0000

Size in mm

Flash and foreign particles are permitted for these items. We recommend that you carry out functional tests before series production.

For more information about the application of our items, please refer to pages 124/125.

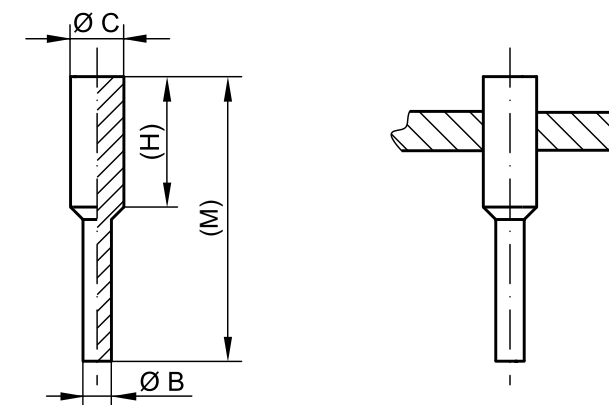
You might also be interested in the following products: GPN 607, GPN 610, GPN 615, GPN 620

Free test samples:  
 MK Slovenia (+386) 04 510 53 60  
 MK Croatia (+385) 051 213 060  
 MK Serbia (+381) 011 25 21 756



PULL PLUGS

# GPN 606



Standard colour: Natural  
 Material: SI

**Saves time.**  
 With pull tab Ø B for easy fitting and removal.

**Higher temperature resistance.**  
 Extremely heat resistant up to 250°C. More details: page 125, "Physical properties".

**More robust.**  
 Solid design for increased demands.

**Better.**  
 Suitable for through holes with or without thread. Ø C closes off, Ø B is used as pull tab.

item	Dimensions				Order no.
	B	C	(H)	(M)	
GPN 606 / 0033	2.4	3.3	15.9	32.3	606 0033 0000
GPN 606 / 0041	2.5	4.1	15.9	31.5	606 0041 0000
GPN 606 / 0055	3.3	5.5	25.4	51.4	606 0055 0000
GPN 606 / 0070	3.2	7	23.8	47.6	606 0070 0000
GPN 606 / 0085	3.9	8.5	25.4	53.2	606 0085 0000
GPN 606 / 0095	4	9.5	25.4	51.2	606 0095 0000
GPN 606 / 0104	4.9	10.4	25.6	53.8	606 0104 0000
GPN 606 / 0126	6.4	12.6	25.4	53.8	606 0126 0000
GPN 606 / 0163	9.5	16.3	25.4	54.5	606 0163 0000
GPN 606 / 0178	9.5	17.8	31.8	56.4	606 0178 0000
GPN 606 / 0196	9.5	19.6	25.4	56.3	606 0196 0000

Size in mm

For more information about the application of our items, please refer to pages 124/125.

## Application Guide

Standard thread	Metric threads		Pipe thread	item	
	Fine thread				
M 4				GPN 606 / 0033	
M 5				GPN 606 / 0041	
M 6				GPN 606 / 0055	
M 8	M 8 × 1		G 1/16	GPN 606 / 0070	
M 10	M 9 × 1			GPN 606 / 0085	
	M 10 × 1		G 1/8	GPN 606 / 0095	
M 11				GPN 606 / 0095	
M 12	M 11 × 1	M 12 × 1.5		GPN 606 / 0104	
M 14	M 13 × 1	M 14 × 1.5	G 1/4	GPN 606 / 0126	
M 18	M 16 × 1	M 17 × 1	M 18 × 2	G 3/8	GPN 606 / 0163
M 20	M 18 × 1	M 19 × 1.5			GPN 606 / 0178
M 22	M 20 × 1	M 20 × 1.5	G 1/2		GPN 606 / 0196

This application table is a guide only. We will be happy to send you free samples for testing. For apertures and bore holes without thread, please use dimensions B and C.

Flash and foreign particles are permitted for these items. We recommend that you carry out functional tests before series production.

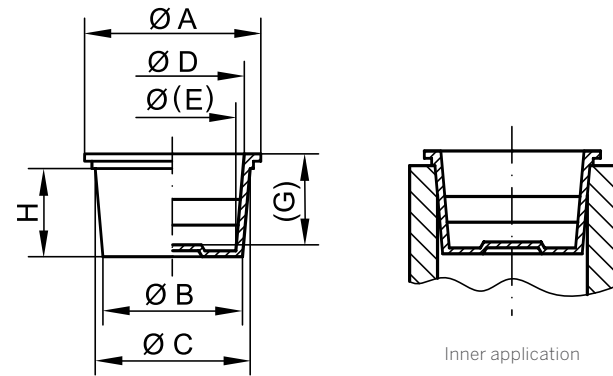
You might also be interested in the following products: GPN 255, GPN 551, GPN 605, GPN 607

Free test samples:  
 MK Slovenia (+386) 04 510 53 60  
 MK Croatia (+385) 051 213 060  
 MK Serbia (+381) 011 25 21 756



UNIVERSAL PROTECTION

# GPN 610



**Free test samples:**  
MK Slovenia (+386) 04 510 53 60  
MK Croatia (+385) 051 213 060  
MK Serbia (+381) 011 25 21 756



**Standard colour:** Yellow  
**Material:** PE-LD

**+** **More versatile.**  
Can be used universally as plug or cap. The tapered design is ideal for accommodating tolerances.

**VDA Band 19** **Cleaner.**  
Upon request, we can manufacture in the specially designed cleanroom in accordance with VDA Volume 19 and ISO 16232. For further information, please refer to page 129.

**i** **Better.**  
To close off bore holes and internal threads, or to protect studs and external threads.

item	Inner application							Order no.
	A	B	C	H	D	(E)	(G)	
GPN 610 U 1	10	4.4	6.2	10	4.6	2.8	10.8	610 0001 0000
GPN 610 U 2	11	6	7.8	10	6.2	4.4	10.8	610 0002 0000
GPN 610 U 3	13	7.6	9.4	10	7.8	6	10	610 0003 0000
GPN 610 U 4	14	8.4	10.2	10	8.6	6.8	10	610 0004 0000
GPN 610 U 5	14	9.2	11	10	9.3	7.5	10	610 0005 0000
GPN 610 U 6	15	9.9	11.7	10	10.1	8.3	10	610 0006 0000
GPN 610 U 7	16	10.6	12.4	10	10.8	9	10	610 0007 0000
GPN 610 U 8	17	11.3	13.1	10	11.2	9.5	10	610 0008 0000
GPN 610 U 9	18	12.2	14.1	12	12.5	10.4	12	610 0009 0000
GPN 610 U 10	18	12.5	14.6	12	13.3	11.2	12	610 0010 0000
GPN 610 U 11	19	13.5	15.6	12	14	11.9	12	610 0011 0000
GPN 610 U 12	19	14	16.1	12	14.5	12.4	12	610 0012 0000
GPN 610 U 13	21	15	17	13	15.5	13.2	13	610 0013 0000
GPN 610 U 14	22	16.3	18.6	13	17	14.7	13	610 0014 0000
GPN 610 U 15	22	17.3	19.4	13	17.6	15.5	13	610 0015 0000
GPN 610 U 16	24	17.5	20.1	15	18.5	15.9	15	610 0016 0000
GPN 610 U 17	25	18.4	21	15	19.4	16.8	15	610 0017 0000
GPN 610 U 18	25	19	21.6	15	20	17.4	15	610 0018 0000
GPN 610 U 19	27	20.4	23.2	16	21.6	18.8	16	610 0019 0000
GPN 610 U 20	28	20.7	23.5	16	21.9	19.1	16	610 0020 0000
GPN 610 U 21	29	22	24.8	16	23	20.4	16	610 0021 0000
GPN 610 U 22	30	23.2	26.3	18	24.4	21.2	18	610 0022 0000
GPN 610 U 23	32	24.5	27.8	19	26.2	22.9	19	610 0023 0000
GPN 610 U 24	33	25.5	29.2	19	27.7	23.7	19	610 0024 0000
GPN 610 U 241	33	26.4	30.4	19	28.9	24.9	19	610 0241 0000
GPN 610 U 25	35	27.8	31.1	19	29.5	26.2	19	610 0025 0000
GPN 610 U 26	37	29.8	32.6	16	31.1	28.3	16	610 0026 0000
GPN 610 U 27	38	31.4	35.1	21	33.4	29.7	21	610 0027 0000
GPN 610 U 28	41	33.3	37.1	22	35.5	31.7	22	610 0028 0000
GPN 610 U 29	45	36.7	40.5	22	39	35.2	22	610 0029 0000
GPN 610 U 291	45	38.4	40.7	13	39.2	36.9	13	610 0291 0000
GPN 610 U 30	48	38.2	43	23	41.4	36.6	23	610 0030 0000
GPN 610 U 31	48	39.6	42.9	19	41.3	38	19	610 0031 0000
GPN 610 U 32	49	41.4	44.7	19	43	39.7	19	610 0032 0000
GPN 610 U 33	51	44.4	47.7	19	46.1	42.8	19	610 0033 0000
GPN 610 U 34	54	45.2	49.6	25	48	43.6	25	610 0034 0000
GPN 610 U 35	55	46.6	51	25	48.7	45.2	25	610 0035 0000
GPN 610 U 36	62	52.5	56.9	25	55.2	50.8	25	610 0036 0000
GPN 610 U 37	65	54	59.3	25	57.8	52.5	25	610 0037 0000
GPN 610 U 38	65	54.2	58.6	25	57	52.6	25	610 0038 0000
GPN 610 U 39	67	58.4	62.8	25	61.1	56.7	25	610 0039 0000
GPN 610 U 40	71	60.7	67.1	29	64.3	57.5	28.5	610 0040 0000
GPN 610 U 41	75	67.1	70.4	19	68.7	65.4	19	610 0041 0000
GPN 610 U 42	83	72.4	75.7	19	74.1	70.8	19	610 0042 0000
GPN 610 U 43	92	84.5	87.8	19	85	82.4	18.5	610 0043 0000

Size in mm

» Guide values for internal use can be found on page 85

For information regarding materials, colours, drawings and the use of our items, please refer to pages 124/125.

UNIVERSAL PROTECTION

# GPN 610

**Free test samples:**  
MK Slovenia (+386) 04 510 53 60  
MK Croatia (+385) 051 213 060  
MK Serbia (+381) 011 25 21 756



## Application Guide Data for Internal Use

Standard thread	Metric threads		Pipe thread	item
	Fine thread			
M 6	M 6 × 0.5	M 6 × 0.75		GPN 610 U 1
M 8	M 8 × 1			GPN 610 U 2
M 10	M 9.5 × 1	M 10 × 1.25	1/8	GPN 610 U 3
M 11	M 10.5 × 1			GPN 610 U 4
M 12	M 11 × 1	M 12 × 1.5		GPN 610 U 5
	M 12 × 1	M 12 × 1.25		GPN 610 U 6
M 14	M 12.5 × 1		1/4	GPN 610 U 7
	M 13.5 × 1	M 14 × 1.5		GPN 610 U 8
	M 14 × 1	M 15 × 1.5		GPN 610 U 9
M 16	M 14.5 × 1	M 15 × 1		GPN 610 U 10
	M 16 × 1	M 16 × 1.5	M 17 × 2	GPN 610 U 11
M 18		M 17 × 1.5	3/8	GPN 610 U 12
	M 17 × 1	M 18 × 1.5		GPN 610 U 13
M 20		M 19 × 1.5	M 20 × 2	GPN 610 U 14
		M 20 × 1.5		GPN 610 U 15
M 22	M 20 × 1		M 21 × 2	GPN 610 U 16
	M 21 × 1		M 22 × 2	GPN 610 U 17
M 24		M 22 × 1.5	5/8	GPN 610 U 18
	M 23 × 1		M 24 × 2	GPN 610 U 19
		M 24 × 1.5		GPN 610 U 20
M 27		M 25 × 1.5		GPN 610 U 21
	M 26 × 1		M 26 × 2	GPN 610 U 22
M 30	M 27 × 1	M 28 × 1.5	M 28 × 3	GPN 610 U 23
	M 29 × 1	M 29 × 1.5	M 30 × 2	GPN 610 U 24
M 33	M 30 × 1	M 30 × 1.5	M 32 × 3	GPN 610 U 241
M 33	M 31 × 1	M 31 × 1.5	M 32 × 2	GPN 610 U 25
M 36	M 32 × 1	M 33 × 1.5		GPN 610 U 26
	M 34 × 1	M 35 × 1.5	M 36 × 2	GPN 610 U 27
M 39	M 36 × 1	M 37 × 1.5	M 39 × 3	GPN 610 U 28
	M 40 × 1	M 40 × 1.5	M 42 × 3	GPN 610 U 29
			M 42 × 2	GPN 610 U 291
M 45	M 42 × 1	M 42 × 1.5	M 45 × 4	GPN 610 U 30
	M 42 × 1		M 45 × 3	GPN 610 U 31
	M 44 × 1	M 45 × 1.5	M 48 × 4	GPN 610 U 32
M 52		M 48 × 1.5	M 48 × 2	GPN 610 U 33
		M 50 × 1.5	M 50 × 3	GPN 610 U 34
M 56	M 50 × 1	M 50 × 1.5	M 52 × 4	GPN 610 U 35
M 60	M 56 × 1	M 56 × 1.5	M 58 × 3	GPN 610 U 36
M 64	M 58 × 1	M 58 × 1.5	M 60 × 3	GPN 610 U 37
M 64	M 58 × 1	M 58 × 1.5	M 60 × 3	GPN 610 U 38
M 68	M 62 × 1	M 62 × 1.5	M 64 × 3	GPN 610 U 39
	M 65 × 1	M 65 × 1.5	M 68 × 4	GPN 610 U 40
	M 70 × 1	M 70 × 1.5	M 72 × 3	GPN 610 U 41
	M 75 × 1	M 76 × 1.5		GPN 610 U 42
			M 90 × 3	GPN 610 U 43

» Dimensions on page 84

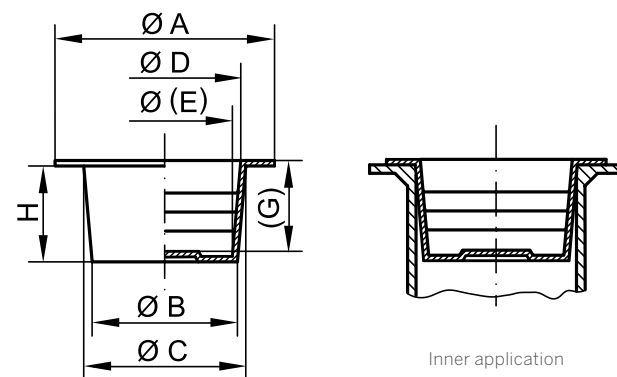
This application table is a guide only. We will be happy to send you free samples for testing. For apertures and bore holes without thread, please use dimensions B and C.

For information regarding materials, colours, drawings and the use of our items, please refer to pages 124/125.

You might also be interested in the following products: GPN 600, GPN 615, GPN 620

UNIVERSAL PROTECTION

# GPN 620



**Free test samples:**  
MK Slovenia (+386) 04 510 53 60  
MK Croatia (+385) 051 213 060  
MK Serbia (+381) 011 25 21 756



**Standard colour:** Yellow  
**Material:** PE-LD

**+** **More versatile.**  
Can be used as a plug or cap for a wide range of applications. Tapered design for accommodating tolerances.

**VDA Band 19** **Cleaner.**  
Upon request, we can manufacture in the specially designed cleanroom in accordance with VDA Volume 19 and ISO 16232. For further information, please refer to page 129.

**i** **Better.**  
Same design as GPN 610 but with larger cover flange.

item	Inner application							Order no.
	A	B	C	H	D	(E)	(G)	
GPN 620 U 1 B	22	4.4	6.3	11	4.6	2.7	11.2	620 0001 0000
GPN 620 U 2 B	23	6	7.9	11	6.1	4.3	11.2	620 0002 0000
GPN 620 U 3 B	25	7.6	9.5	11	7.8	5.9	11	620 0003 0000
GPN 620 U 4 B	26	8.4	10.3	11	8.6	6.8	10	620 0004 0000
GPN 620 U 5 B	26	9.2	11	11	9.3	7.5	10	620 0005 0000
GPN 620 U 6 B	27	9.9	11.7	11	10	8.3	10	620 0006 0000
GPN 620 U 7 B	28	10.6	12.4	11	10.6	8.8	10	620 0007 0000
GPN 620 U 8 B	29	11.3	13.2	11	11.6	9.8	10	620 0008 0000
GPN 620 U 9 B	30	12	14.2	13	12.5	10.4	12	620 0009 0000
GPN 620 U 10 B	30	12.5	14.6	13	13.3	11.2	12	620 0010 0000
GPN 620 U 11 B	31	13.8	15.9	13	14.1	12	12	620 0011 0000
GPN 620 U 12 B	31	14	16.4	13	14.5	12.2	12	620 0012 0000
GPN 620 U 13 B	33	15.4	17.2	14	15.5	13.4	13	620 0013 0000
GPN 620 U 14 B	34	16.5	18.8	14	17.1	14.8	13	620 0014 0000
GPN 620 U 15 B	34	17.4	19.6	14	17.8	15.6	13	620 0015 0000
GPN 620 U 16 B	36	17.7	20.3	16	18.6	16	15	620 0016 0000
GPN 620 U 17 B	37	18.6	21.2	16	19.5	16.9	15	620 0017 0000
GPN 620 U 18 B	37	19.3	21.9	16	20.1	17.6	15	620 0018 0000
GPN 620 U 19 B	39	20.8	23.5	17	21.8	18.9	16	620 0019 0000
GPN 620 U 20 B	40	21.2	24	17	22.1	19.3	16	620 0020 0000
GPN 620 U 21 B	41	22.3	25.2	17	23.4	20.4	16	620 0021 0000
GPN 620 U 22 B	42	23.7	27	19	24.1	20.9	18	620 0022 0000
GPN 620 U 23 B	44	25	28.3	20	26.4	23	19	620 0023 0000
GPN 620 U 24 B	45	26.4	29.5	20	27.7	24.7	19	620 0024 0000
GPN 620 U 25 B	47	28.3	31.4	20	29.7	26.4	19	620 0025 0000
GPN 620 U 26 B	49	29.6	32.9	20	31.2	27.9	19	620 0026 0000
GPN 620 U 27 B	50	32	35.5	22	33.6	29.8	21	620 0027 0000
GPN 620 U 28 B	52	33.8	37.8	23	36	31.9	22	620 0028 0000
GPN 620 U 29 B	54	36.4	40.2	22	38.4	34.5	21	620 0029 0000
GPN 620 U 31 B	60	39.2	43.1	23	41.3	37.2	22	620 0031 0000
GPN 620 U 32 B	70	41.3	44.8	20	43	39.5	19	620 0032 0000
GPN 620 U 33 B	64	44.4	47.9	20	46.1	42.6	19	620 0033 0000
GPN 620 U 351 B	66	50.5	53.1	14	51.1	48.8	13.7	620 0351 0000
GPN 620 U 36 B	74.3	52.7	56.6	25	54.6	51	24.7	620 0036 0000
GPN 620 U 401 B	85	62.5	67.5	20.5	65.5	60.4	20.5	620 0401 0000

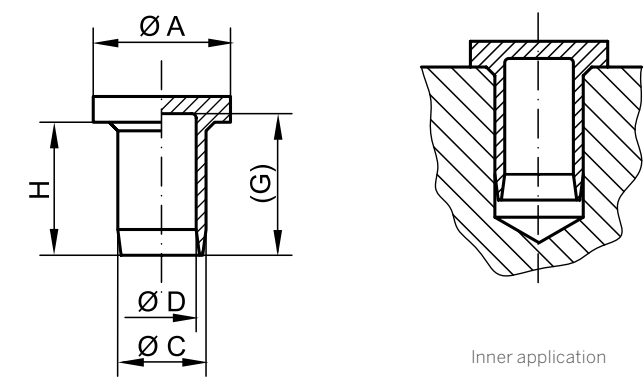
Size in mm

For information regarding materials, colours, drawings and the use of our items, please refer to pages 124/125.

**You might also be interested in the following products: GPN 608, GPN 610, GPN 615**

CLOSURES

# GPN 900



**Free test samples:**  
MK Slovenia (+386) 04 510 53 60  
MK Croatia (+385) 051 213 060  
MK Serbia (+381) 011 25 21 756



**Standard colour:** Natural  
**Material:** PE-LD; PE-LLD (GPN 900 A 58)

**+** **More versatile.**  
Cylindrical closure – can be used universally as a plug or cap.

**VDA Band 19** **Cleaner.**  
Upon request, we can manufacture in the specially designed cleanroom in accordance with VDA Volume 19 and ISO 16232. For further information, please refer to page 129.

item	Inner application					Order no.
	A	C	H	D	(G)	
GPN 900 A 7	13	7.2	9	5.2	10.5	900 0070 0000
GPN 900 A 8.5	12	8.3	16	6	17	900 0085 0000
GPN 900 A 8.9	12	8.9	9.5	5.8	10.5	900 0089 0000
GPN 900 A 9	11	9	9.5	7.4	10.5	900 0090 0000
GPN 900 A 10.5	16	10.3	15.5	8	16.5	900 0105 0000
GPN 900 A 11	16	10.8	15.8	8	17	900 0110 0000
GPN 900 A 12	18	12	10	9.8	11.2	900 0120 0000
GPN 900 A 12.5	20	12.4	16.2	10	17.6	900 0125 0000
GPN 900 A 12.5 x 9.5	15	12.8	9.5	11.3	10.5	900 4315 0000
GPN 900 A 13.5	18	13.4	10	11.5	10	900 0135 0000
GPN 900 A 14	17	14.7	9.5	11.7	10.5	900 0140 0000
GPN 900 A 14.5	20	14.5	20.8	11.5	21.1	900 0145 0000
GPN 900 A 15	20	15.2	12.7	12.8	13.7	900 0150 0000
GPN 900 A 16.5	22	16.6	21	13.5	22	900 0165 0000
GPN 900 A 16.5 x 9	24	16.6	9	13.5	10.5	900 1659 0000
GPN 900 A 16.9	20	17	9.5	14.5	10.5	900 0169 0000
GPN 900 A 17	20	17	24	14.5	25.5	900 0170 0000
GPN 900 A 18.5	28	18.4	25	15.5	26	900 0185 0000
GPN 900 A 18.5 x 21	21	18.4	25	15.5	26	900 1852 0000
GPN 900 A 19	25	18.9	10.5	16.5	11	900 0190 0000
GPN 900 A 19.5	21.5	19.3	9.5	17.4	10.5	900 0195 0000
GPN 900 A 20	28	20.2	21	17.8	21.5	900 0200 0000
GPN 900 A 21	22	20.7	9.5	17.7	10.5	900 0210 0000
GPN 900 A 21 x 16	22.5	21	16	18.6	16	900 2116 0000
GPN 900 A 22.5	25	22.5	12	19.7	12.5	900 0225 0000
GPN 900 A 24	28	23.9	29	20.3	29.5	900 0240 0000
GPN 900 A 24.5	32	24.5	10	21.2	10.5	900 0245 0000
GPN 900 A 24.5 x 25	26	24.6	25	21.5	26	900 4322 0000
GPN 900 A 24.7	29	24.7	31.5	23.1	32	900 0247 0000
GPN 900 A 25.5	28	25.5	17	22.3	18.5	900 0255 0000
GPN 900 A 27	31	27	20.5	24.8	21.8	900 0270 0000
GPN 900 A 28.5	32	28.4	9.5	26	10	900 0285 0000
GPN 900 A 30	33	30	19	27.3	20.5	900 0300 0000
GPN 900 A 31	34	31	9.5	28	10.5	900 0310 0000
GPN 900 A 32	36	32.5	21	29.6	22.5	900 0320 0000
GPN 900 A 33	37	32.8	19	29.4	20	900 0330 0000
GPN 900 A 39	47	38.8	21	35.4	22	900 0390 0000
GPN 900 A 41	43	40.5	9.5	37.5	11	900 0410 0000
GPN 900 A 45	50	44.8	19	41.4	20	900 0450 0000
GPN 900 A 51	53.5	51	24	48.3	25.5	900 0510 0000
GPN 900 A 52	54.5	52	9.5	49	10.5	900 0520 0000
GPN 900 A 58	61	58	12.5	55	12.5	900 0580 0000
GPN 900 A 64	69	64	29	61.5	30.5	900 0640 0000
GPN 900 A 69	72	69.5	29	66.5	29.5	900 0690 0000
GPN 900 A 76	80	76	20	70	20.5	900 0760 0000

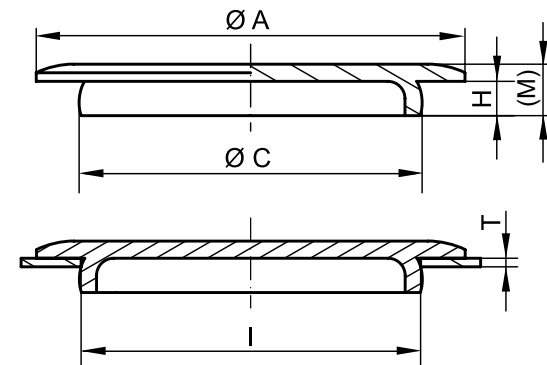
Size in mm

For information regarding materials, colours, drawings and the use of our items, please refer to pages 124/125.

**You might also be interested in the following products: GPN 300, GPN 310, GPN 350**

## COVERS

# GPN 910



**Standard colour:** Black  
**Material:** PE-LD

**i Better.**  
 Flat design, ideal for closing apertures in cover panels.

item	Suitable for casings		Dimensions				Order no.
	Aperture I	Wall thickness T	A	C	H	(M)	
GPN 910 / 3280	12	1	16	12.3	3	5	910 3280 0000
GPN 910 / 2179	15	1	18	15.4	4	5	910 2179 0000
GPN 910 / 3759	17.3	1	20	17.6	4	6	910 3759 0000
GPN 910 / 2967	20	1	35	20.5	5	7.5	910 2967 0000
GPN 910 / 0766	20.5	1	25	21.1	2.5	4	910 0766 0000
GPN 910 / 4015	25	1.5	28	26	4	6.2	910 4015 0000
GPN 910 / 3040	25.5	1	38	26	5.3	7.4	910 3040 0000
GPN 910 / 3043	26.3	2.2	38	27	7.5	9.5	910 3043 0000
GPN 910 / 0763	26.5	1.5	38	27	4.3	6.3	910 0763 0000
GPN 910 / 3790	33	1.5	36	33.5	4	6	910 3790 0000
GPN 910 / 5539	36	2	53	36.5	5	7	910 5539 0000
GPN 910 / 3205	39.5	0.9	50	40	4	6	910 3205 0000
GPN 910 / 4010	39.7	0.8	50	40.4	2.4	4.2	910 4010 0000
GPN 910 / 3097	50	1	55	50.6	4	6	910 3097 0000
GPN 910 / 0715	53	1.5	62	53.8	4	6	910 0715 0000
GPN 910 / 3044	60.8	2.2	66	61.5	7.8	9.8	910 3044 0000
GPN 910 / 0714	61	1.5	68	62	4	5.8	910 0714 0000
GPN 910 / 3791	64	1.5	85	64.6	4.1	6.1	910 3791 0000
GPN 910 / 2713	71	1.5	76	71.5	5	7.5	910 2713 0000
GPN 910 / 3042	72	3	90	72.8	7.5	9.5	910 3042 0000
GPN 910 / 3223	74.5	1.5	83	75	8	10	910 3223 0000
GPN 910 / 3222	81.5	1.5	90	82	8	10	910 3222 0000
GPN 910 / 3277	92	3	103	93	7.7	9.7	910 3277 0000
GPN 910 / 4395	100	2	109	101	5	7	910 4395 0000

Size in mm

For information regarding materials, colours, drawings and the use of our items, please refer to pages 124/125.

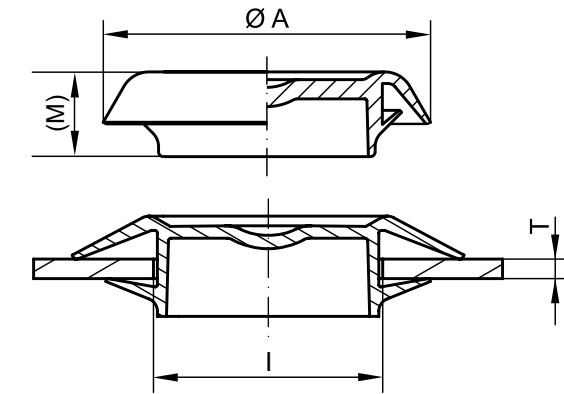
You might also be interested in the following products: GPN 300 F, GPN 600, GPN 915

**Free test samples:**  
 MK Slovenia (+386) 04 510 53 60  
 MK Croatia (+385) 051 213 060  
 MK Serbia (+381) 011 25 21 756



## SEALING PLUGS

# GPN 915



**Standard colour:** Black  
**Material:** PHT

**°C / °F Higher temperature resistance.**  
 Heat resistant to 180 °C. More details: page 125 "Physical properties".

**⊗ Seals better.**  
 Provides limited sealing action against ingress or outflow of fluids.

**± More versatile.**  
 Suitable for various wall thicknesses and diameters.

**i Better.**  
 Ideal for closing of holes in cover panels.

**Free test samples:**  
 MK Slovenia (+386) 04 510 53 60  
 MK Croatia (+385) 051 213 060  
 MK Serbia (+381) 011 25 21 756



item	Suitable for casings		Dimensions		Order no.
	Aperture I	Wall thickness T	A	(M)	
GPN 915 / 12	12 - 13	0.5 - 3	20.8	9	915 0012 0000
GPN 915 / 15	15 - 17	0.5 - 3	23.8	8.9	915 0015 0000
GPN 915 / 20	19.5 - 21.5	0.5 - 3	27.9	8.8	915 0020 0000
GPN 915 / 25	25 - 27	0.5 - 3	34	8.6	915 0025 0000
GPN 915 / 30	30 - 31	0.5 - 3	39	8.9	915 0030 0000
GPN 915 / 35	34.5 - 36.5	0.5 - 3	48	11	915 0035 0000
GPN 915 / 50	50 - 52	0.5 - 3	59	8.8	915 0050 0000

Size in mm

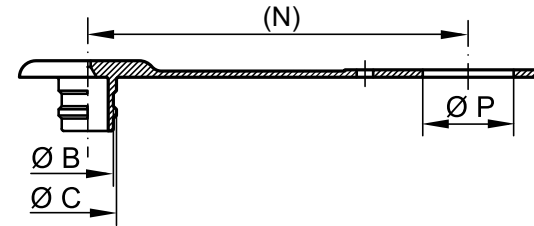
For information regarding materials, colours, drawings and the use of our items, please refer to pages 124/125.

You might also be interested in the following products: GPN 300 F, GPN 910

PROTECTIVE DUST PLUGS

# GPN 920 Type A

**Free test samples:**  
 MK Slovenia (+386) 04 510 53 60  
 MK Croatia (+385) 051 213 060  
 MK Serbia (+381) 011 25 21 756



item	Suitable for nominal size	Dimensions				Order no.
		B	C	(N)	P	
GPN 920 / 9998	1/4	11	12	125	22	920 9998 0000
GPN 920 / 9996	3/8	16	18	125	22	920 9996 0000
GPN 920 / 4982	1/2	20	23.6	135	29	920 4982 0000
GPN 920 / 5370	1/2	20	23.6	135	27	920 5370 0000

Size in mm

For information regarding materials, colours, drawings and the use of our items, please refer to pages 124/125.

**You might also be interested in the following products:**  
 GPN 920 Type B, GPN 930 Type A, GPN 930 Type B

**Standard colour:** Red  
**Material:** PE-LD

**DIN ISO Better fit.**  
 Protects open plug-in couplings from damage and contamination.

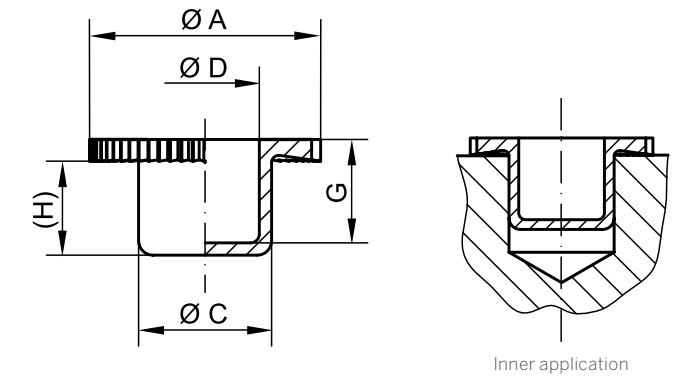
**Seals better.**  
 Provides limited sealing action against an ingress or outflow of fluids.

**Better.**  
 Self-retaining design due to integral strap.

PROTECTIVE PLUGS

# GPN 950

**Free test samples:**  
 MK Slovenia (+386) 04 510 53 60  
 MK Croatia (+385) 051 213 060  
 MK Serbia (+381) 011 25 21 756



item	Inner application					Order no.
	A	C	(H)	D	G	
GPN 950 / 0054	10	5.4	6	3.9	7.3	950 0054 0000
GPN 950 / 0067	10.5	6.7	7	5.2	7.8	950 0067 0000
GPN 950 / 0072	14	7.2	6.5	5.7	7.2	950 0072 0000
GPN 950 / 0092	16	9.6	6.5	7.7	7.2	950 0092 0000
GPN 950 / 0105	20	10.5	5	8.4	6.2	950 0105 0000
GPN 950 / 0106	18	10.6	8.5	9	9.2	950 0106 0000
GPN 950 / 0126	20	12.6	8	11	9.2	950 0126 0000
GPN 950 / 0131	22	13.1	8	11.5	9.2	950 0131 0000
GPN 950 / 0147	22	14.7	10	13.1	11.2	950 0147 0000
GPN 950 / 0157	20	15.7	8	13.5	8.9	950 0157 0000
GPN 950 / 0168	24	16.8	8.5	15.5	9.2	950 0168 0000
GPN 950 / 0180	24	18	7.2	16	8	950 0180 0000
GPN 950 / 0188	28	18.8	10	17.5	11.2	950 0188 0000
GPN 950 / 0193	28	19.3	10	17.7	11.2	950 0193 0000
GPN 950 / 0208	30	20.8	10	19.5	11.2	950 0208 0000
GPN 950 / 0229	31.8	22.9	10	21.7	11.4	950 0229 0000
GPN 950 / 0250	33.5	25.1	10	23.6	11.3	950 0250 0000

Size in mm

For information regarding materials, colours, drawings and the use of our items, please refer to pages 124/125.

**You might also be interested in the following products:** GPN 300 F, GPN 305

**More versatile.**  
 Can be used as cap or plug.

**VDA Band 19 Cleaner.**  
 Upon request, we can manufacture in the specially designed cleanroom in accordance with VDA Volume 19 and ISO 16232. For further information, please refer to page 129.

**Better.**  
 With knurled collar. Suitable for bore holes, internal and external threads, or pipe ends.

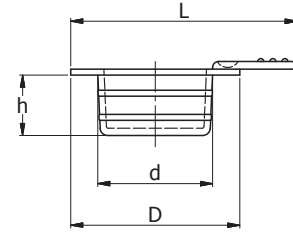
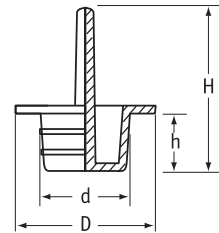
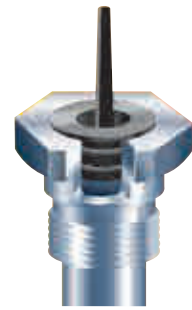
**Free test samples:**  
MK Slovenia (+386) 04 510 53 60  
MK Croatia (+385) 051 213 060  
MK Serbia (+381) 011 25 21 756



**Moss Pull Plugs**

SR 1067  
Black Thermoplastic Elastomer

- Protect threaded or plain components
- Handy pull-tab for easy removal
- Acid-resistant
- Material temperature: -50°C to +95°C
- Ideal for hydraulic and general engineering applications



**Type 1 – Central Pull Plugs**

Part Number	Thread Size	Dimensions (mm)				Standard Pack Quantity
		d	D	h	H	
464905	M8	7.5	15.5	8.0	24.0	500
110043	M10	9.5	17.5	8.0	30.0	8000
110044	M12	11.5	19.5	8.0	30.0	7000
110045	M14	12.8	21.5	10.0	30.0	6000
110046	M16	15.2	23.5	10.0	32.0	4000
464906	M18	17.0	26.0	10.0	30.0	500
464907	M20	19.4	27.5	12.0	26.0	500
464908	M22	21.4	29.5	12.0	26.0	250
464909	M24	23.5	28.5	12.0	26.0	250

**Type 2 – Lateral Pull Plugs**

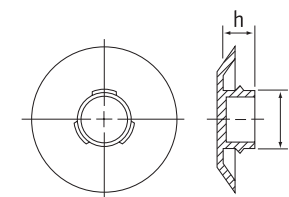
Part Number	Thread Size	Dimensions (mm)				Standard Pack Quantity
		d	D	h	H	
464857	M6	5.5	15.5	8.0	23.2	500
110291	M8	7.5	15.0	8.0	25.3	7000
110280	M10	9.5	17.0	8.0	27.3	7000
110281	M12	11.5	17.0	8.0	27.5	7000
110282	M14	13.0	21.0	10.0	31.0	6000
110283	M16	15.5	23.0	10.0	33.3	4000
110294	M18	17.0	26.0	10.0	35.5	4000
464858	M20	19.4	27.5	12.0	37.1	500
464859	M22	21.4	29.5	12.0	39.4	250
464860	M24	23.5	28.5	12.0	40.8	250

**Straight Pull Plugs**

SR 1119  
Yellow LDPE

- Provides all the advantages of a threaded plug with the ease of a push-in style

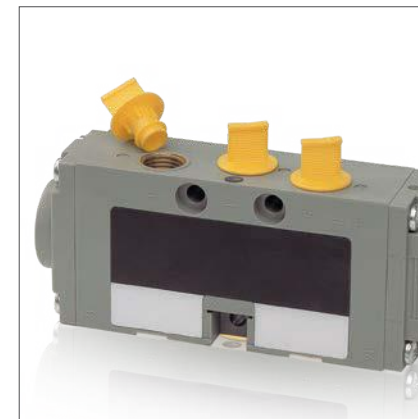
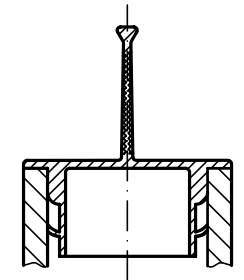
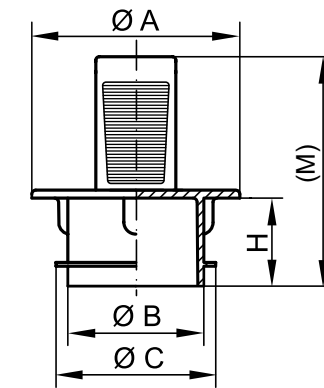
Part Number	To Fit UNF Thread Size	Dimensions (mm)		Standard Pack Quantity
		D	h	
I-1/4	1/4"	5.2	5.6	5000
I-5/16	5/16"	6.7	6.0	5000
I-3/8	3/8"	8.2	6.0	3000
I-7/16	7/16"	9.7	6.9	3000
I-1/2	1/2"	11.1	6.9	5000
I-9/16	9/16"	12.6	7.4	5000
I-5/8	5/8"	14.2	7.4	7500
I-11/16	11/16"	15.5	7.4	7000
I-3/4	3/4"	17.2	7.4	6000
I-13/16	13/16"	18.6	7.4	5000
I-7/8	7/8"	20.3	7.4	4500
I-1	1"	23.4	7.4	3500
I-1-1/16	1 1/16"	24.7	7.4	3000
I-1-3/16	1 3/16"	27.7	8.6	2000
I-1-1/4	1 1/4"	29.5	8.6	2000
I-1-5/16	1 5/16"	30.9	8.6	2000
I-1-5/8	1 5/8"	38.7	11.7	1000
I-1-7/8	1 7/8"	45.1	11.7	800



GRIP PLUGS

**GPN 305**

**Free test samples:**  
MK Slovenia (+386) 04 510 53 60  
MK Croatia (+385) 051 213 060  
MK Serbia (+381) 011 25 21 756



item	Dimensions					Order no.
	A	B	C	H	(M)	
GPN 305 GV 5	11	3	5.3	11	24	305 0005 0000
GPN 305 GV 7	10	5	7.1	13	27	305 0007 0000
GPN 305 GV 10	18	8.5	10.4	11	24	305 0010 0000
GPN 305 GV 11	19	9.5	11.4	11	24	305 0011 0000
GPN 305 GV 12	18	10	12.5	10	31	305 0012 0000
GPN 305 GV 13	15	11	13.5	10	26	305 0013 0000
GPN 305 GV 14	20	11.5	14	7.5	20.5	305 0014 0000
GPN 305 GV 15	21.5	14	15.4	11	24	305 0015 0000
GPN 305 GV 18	23.5	15.8	18.3	7.5	20.5	305 0018 0000
GPN 305 GV 19	28.5	17	19.4	11	24	305 0019 0000

Size in mm

For information regarding materials, colours, drawings and the use of our items, please refer to pages 124/125.

**Standard colour:** Yellow  
**Material:** EVA (plasticiser-free)

**Saves time.**  
With ergonomically designed removal tab for easy handling.

**Better.**  
Protection for hoses, bore holes and internal threads. With circumferential ribs and centring segments for firm fit.

**Application Guide**

Metric threads			item
Standard thread	Fine thread		
M 6	M 6 × 0.75		GPN 305 GV 5
M 8			GPN 305 GV 7
M 12			GPN 305 GV 10
			GPN 305 GV 11
M 14			GPN 305 GV 12
			GPN 305 GV 14
	M 16 × 1		GPN 305 GV 15
			GPN 305 GV 18
	M 20 × 1	M 20 × 1.5	GPN 305 GV 19

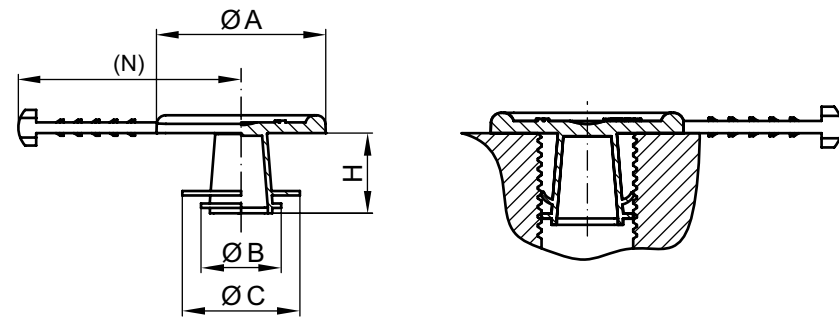
This application table is a guide only. We will be happy to send you free samples for testing. For apertures and bore holes without thread, please use dimensions B and C.

**You might also be interested in the following products:**  
GPN 308, GPN 310, GPN 330, GPN 608, GPN 630

GRIP PLUGS

# GPN 308

Watch the film now:  
poeppelmann.com/en/gpn308



Dimensions

item	A	B	C	H	(N)	Order no.
GPN 308 SL 132	19	9	13.2	9	25	308 0132 0000
GPN 308 SL 165	22.7	12	16.5	7	27	308 0165 0000
GPN 308 SL 195	30	15.5	19.5	8	31	308 0195 0000
GPN 308 SL 238	34.3	19.3	23.8	9.5	32	308 0238 0000
GPN 308 SL 276	40	22.5	27.6	9.5	35	308 0276 0000
GPN 308 SL 345	45	29.9	34.5	10	38	308 0345 0000

Size in mm

For information regarding materials, colours, drawings and the use of our items, please refer to pages 124/125.

## Application Guide

Metric standard thread	Pipe thread	Unified Thread pursuant to ASME / ANSI B 1.1 UN / UNC / UNF / UNEF	item
M 10	1/8	7/16	GPN 308 SL 132
M 12			GPN 308 SL 132
M 14	1/4	1/2	GPN 308 SL 165
M 16		5/8	GPN 308 SL 165
		9/16	GPN 308 SL 165
M 18	3/8	3/4	GPN 308 SL 195
M 20			GPN 308 SL 195
M 22	1/2	7/8	GPN 308 SL 238
M 24	5/8		GPN 308 SL 238
M 26	3/4	1 1/16	GPN 308 SL 276
M 28		1 1/8	GPN 308 SL 276
M 30	1	1 1/4	GPN 308 SL 345
M 36		1 3/8	GPN 308 SL 345

This application table is a guide only. We will be happy to send you free samples for testing. For apertures and bore holes without thread, please use dimensions B and C.

You might also be interested in the following products: GPN 305, GPN 310, GPN 315

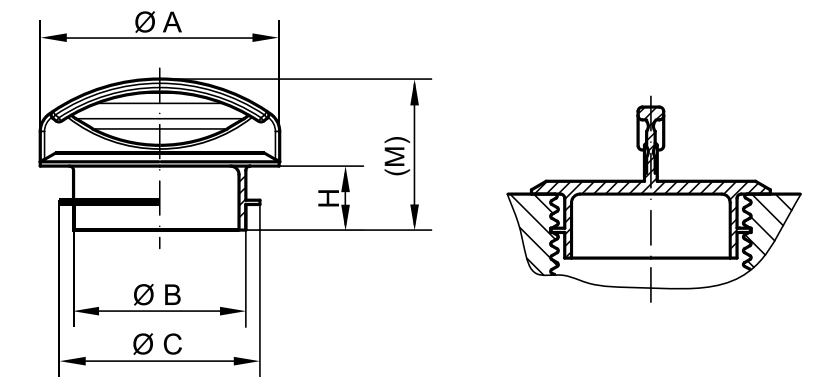
Standard colour: Yellow  
Material: PE-LD

- Saves time.**  
Very quick disassembly thanks to an innovative lateral removal tab. Patented tab design.
- More versatile.**  
Individual sizes of the standard series protect several thread sizes. Flexible fins bridge larger tolerances.
- Better.**  
Protection for bore holes and internal threads.

GRIP PLUGS

# GPN 310

MK Slovenia (+386) 04 510 53 60  
MK Croatia (+385) 051 213 060  
MK Serbia (+381) 011 25 21 756



Dimensions

item	A	B	C	H	(M)	Order no.
GPN 310 G 8	14	4	7	5.5	15	310 0008 0000
GPN 310 G 11	16	5	10.5	5.5	15	310 0011 0000
GPN 310 G 13	15.6	8	13	5.5	14.7	310 0013 0000
GPN 310 G 16	19.6	11.4	16.5	5.5	15.2	310 0016 0000
GPN 310 G 21	22.8	15.6	21.3	7.5	17.1	310 0021 0000
GPN 310 G 22	25.7	17.3	22.3	7.5	18.5	310 0022 0000
GPN 310 G 23	28	20.2	23.5	7.5	17.7	310 0023 0000
GPN 310 G 25	30	20.6	25.5	7.5	19.7	310 0025 0000
GPN 310 G 28	35	22.5	27.5	7.5	19	310 0028 0000
GPN 310 G 30	38	24.5	29.7	7.5	19	310 0030 0000

Size in mm

For information regarding materials, colours, drawings and the use of our items, please refer to pages 124/125.

Standard colour: Red  
Material: PE-LD

- Saves time.**  
Practical tab for easy handling.
- More versatile.**  
Flexible ribs for accommodating large tolerances.
- Better.**  
Protection for bore holes and internal threads.

## Application Guide

Standard thread	Metric threads			Pipe thread	item
	Fine thread				
M 7					GPN 310 G 8
M 11	M 10 × 1				GPN 310 G 11
		M 12 × 1.5			GPN 310 G 13
	M 13 × 1	M 13 × 1.5		1/4	GPN 310 G 13
M 14		M 14 × 1.5			GPN 310 G 13
	M 16 × 1				GPN 310 G 16
		M 17 × 1.5		3/8	GPN 310 G 16
M 18					GPN 310 G 16
	M 20 × 1	M 20 × 1.5			GPN 310 G 21
	M 21 × 1	M 21 × 1.5		1/2	GPN 310 G 21
M 22			M 22 × 2		GPN 310 G 21
M 24	M 22 × 1	M 22 × 1.5		5/8	GPN 310 G 22
	M 23 × 1	M 24 × 1.5	M 24 × 2		GPN 310 G 23
	M 25 × 1	M 25 × 1.5			GPN 310 G 25
		M 26 × 1.5	M 26 × 2	3/4	GPN 310 G 25
M 27					GPN 310 G 25
M 30	M 27 × 1	M 28 × 1.5	M 28 × 2		GPN 310 G 28
	M 29 × 1	M 30 × 1.5	M 30 × 2	7/8	GPN 310 G 30

This application table is a guide only. We will be happy to send you free samples for testing. For apertures and bore holes without thread, please use dimensions B and C.

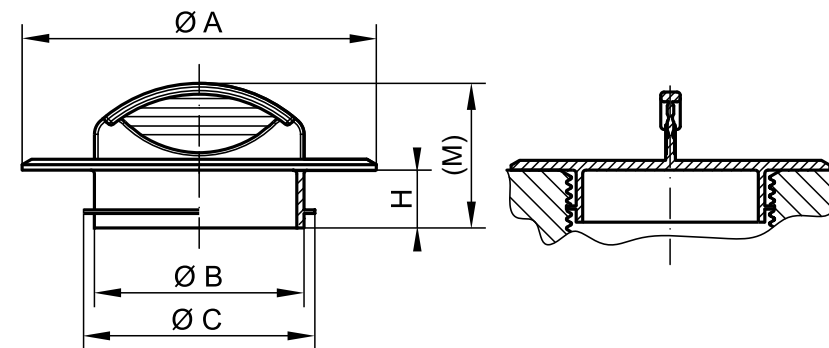
You might also be interested in the following products: GPN 305, GPN 315, GPN 615, GPN 630

GRIP PLUGS

# GPN 315

MK Slovenia  
MK Croatia  
MK Serbia

**Free test samples:**  
(+386) 04 510 53 60  
(+385) 051 213 060  
(+381) 011 25 21 756



**Standard colour:** Yellow  
**Material:** PE-LLD

Dimensions							Order no.
item	A	B	C	H	(M)		
GPN 315 GS 8	25	5	8	8	20	315 0008 0000	
GPN 315 GS 10	27	7	10	8	20	315 0010 0000	
GPN 315 GS 12	29	9	12	8	20	315 0012 0000	
GPN 315 GS 14	31	11	14	8	20	315 0014 0000	
GPN 315 GS 15	33	12	15	8	20	315 0015 0000	
GPN 315 GS 16	33	13	16	8	20	315 0016 0000	
GPN 315 GS 18	35	15	18	8	20	315 0018 0000	
GPN 315 GS 22	39	19	22	8	20	315 0022 0000	
GPN 315 GS 26	43	23	26	8	20	315 0026 0000	
GPN 315 GS 30	47	27	30	8	20	315 0030 0000	
GPN 315 GS 32	49	29	32	8	22	315 0032 0000	
GPN 315 GS 34	51	31	34	8	22	315 0034 0000	
GPN 315 GS 41	58	38	41	8	22.5	315 0041 0000	
GPN 315 GS 47	64	44	47	8	22.5	315 0047 0000	
GPN 315 GS 58	75	55	58	8	22.5	315 0058 0000	
GPN 315 GS 82	99	79	82	8	22.5	315 0082 0000	
GPN 315 GS 86	103	83	86	8	22.5	315 0086 0000	

Size in mm

For information regarding materials, colours, drawings and the use of our items, please refer to pages 124/125.

## Application Guide

Metric threads				item	
Standard thread	Fine thread	Pipe thread			
M 8	M 8 × 1		1/16	GPN 315 GS 8	
M 10	M 10 × 1		1/8	GPN 315 GS 10	
	M 12 × 1	M 12 × 1.25		GPN 315 GS 12	
	M 14 × 1	M 14 × 1.5		GPN 315 GS 14	
M 16	M 15 × 1	M 15 × 1.5		GPN 315 GS 15	
	M 16 × 1	M 16 × 1.5	3/8	GPN 315 GS 16	
	M 18 × 1	M 18 × 1.5		GPN 315 GS 18	
M 24	M 22 × 1	M 22 × 1.5	5/8	GPN 315 GS 22	
		M 26 × 1.5	3/4	GPN 315 GS 26	
		M 30 × 1.5		GPN 315 GS 30	
		M 32 × 1.5	M 33 × 2	1	GPN 315 GS 32
		M 34 × 1.5			GPN 315 GS 34
			M 42 × 2		GPN 315 GS 41
			M 48 × 2		GPN 315 GS 47
		M 58 × 1.5		2	GPN 315 GS 58
			M 85 × 4		GPN 315 GS 82
				3	GPN 315 GS 86

This application table is a guide only. We will be happy to send you free samples for testing. For apertures and bore holes without thread, please use dimensions B and C.

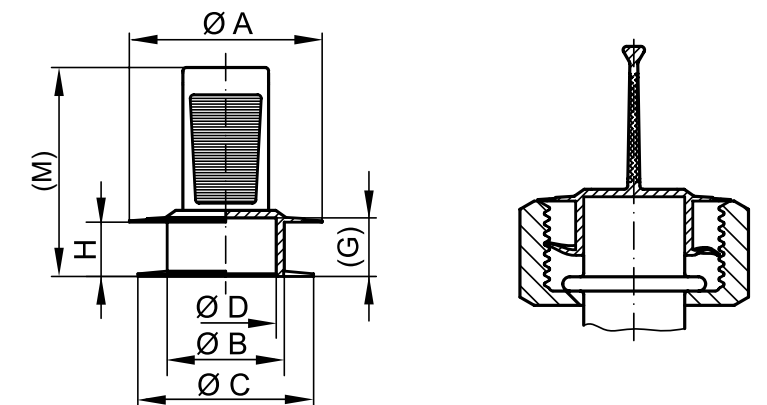
You might also be interested in the following products: GPN 305, GPN 310, GPN 330, GPN 615

GRIP PLUGS

# GPN 330

MK Slovenia  
MK Croatia  
MK Serbia

**Free test samples:**  
(+386) 04 510 53 60  
(+385) 051 213 060  
(+381) 011 25 21 756



**Standard colour:** Yellow  
**Material:** PE-LD

Dimensions								Order no.
item	A	B	C	D	(G)	H	(M)	
GPN 330 L 10	16	6.4	10.5	4.4	5.5	4.1	26.5	330 0010 0000
GPN 330 L 12	14.3	6.4	12.3	4.4	5.5	4.1	26.5	330 0012 0000
GPN 330 L 14	16.3	8.4	14.3	6.4	5.5	4.1	26.5	330 0014 0000
GPN 330 L 16	18.3	10.4	16.3	8.4	5.5	4.1	26.5	330 0016 0000
GPN 330 L 18	21	10.4	18.5	8.4	5.5	4.1	26.5	330 0018 0000
GPN 330 L 19	21	13.6	19.7	11.6	8.3	6.1	29.3	330 0019 0000
GPN 330 L 20	22.5	13.6	20.7	11.6	8.3	6.1	29.3	330 0020 0000
GPN 330 L 22	25	16.4	22.9	14.4	8.3	7.6	29.3	330 0022 0000
GPN 330 L 24	27	16.4	24.9	14.4	8.3	7.6	29.3	330 0024 0000
GPN 330 L 27	30	19.6	27.9	17.6	8.3	8.1	29.3	330 0027 0000
GPN 330 L 28	31	19.6	28.8	17.6	8.3	7.9	29.3	330 0028 0000
GPN 330 L 39	46	26.2	39.5	24.2	11.4	11	32.4	330 0039 0000

Size in mm

For information regarding materials, colours, drawings and the use of our items, please refer to pages 124/125.

**Saves time.**  
Practical tab for easy removal.

**More versatile.**  
Flexible shaft ribs for accommodating large tolerances.

**Better.**  
Suitable for bore holes and internal threads. Can also be used for special pipes with union nut. The ribs engage into the thread and position the union nut at the end of the conductor.

\* This application table is a guide only. We will be happy to send you free samples for testing. For apertures and bore holes without thread, please use dimensions B and C.

You might also be interested in the following products: GPN 305, GPN 308, GPN 310, GPN 615

## Application Guide\*

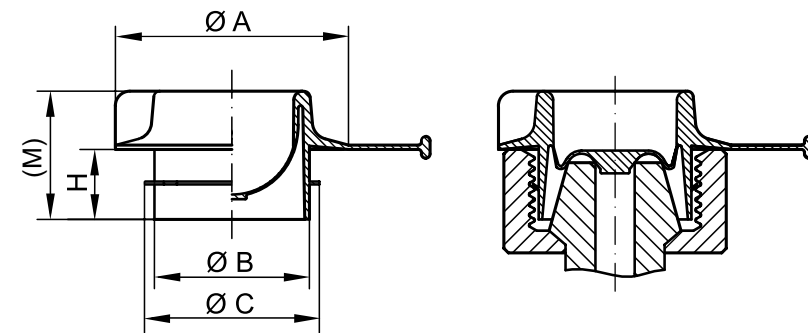
Metric threads					
Standard thread	Fine thread		Pipe thread	item	
	M 10 × 1				
	M 12	M 12 × 1	M 12 × 1.5	1/8 GPN 330 L 12	
	M 14	M 14 × 1	M 14 × 1.5	1/4 GPN 330 L 14	
	M 16	M 16 × 1	M 16 × 1.5	3/8 GPN 330 L 16	
			M 17 × 2	GPN 330 L 16	
	M 18	M 18 × 1	M 18 × 1.5	M 18 × 2	3/8 GPN 330 L 18
			M 19 × 1.5	M 19 × 2	GPN 330 L 18
		M 18 × 1			1/2 GPN 330 L 19
M 20	M 20 × 1	M 20 × 1.5	M 20 × 2		GPN 330 L 19
	M 20 × 1	M 20 × 1.5	M 20 × 2		1/2 GPN 330 L 20
	M 22 × 1	M 22 × 1.5	M 22 × 2		5/8 GPN 330 L 22
M 24					GPN 330 L 22
	M 22 × 1	M 22 × 1.5	M 22 × 2		5/8 GPN 330 L 24
M 24	M 24 × 1	M 24 × 1.5	M 24 × 2		GPN 330 L 24
	M 25 × 1	M 25 × 1.5	M 25 × 2		GPN 330 L 24
	M 26 × 1	M 26 × 1.5	M 26 × 2		3/4 GPN 330 L 27
M 27	M 27 × 1	M 27 × 1.5	M 27 × 2		GPN 330 L 27
		M 28 × 1.5	M 28 × 2		GPN 330 L 27
	M 27 × 1	M 27 × 1.5	M 27 × 2		7/8 GPN 330 L 28
M 30	M 28 × 1	M 28 × 1.5	M 28 × 2		GPN 330 L 28
		M 29 × 1.5	M 30 × 2		GPN 330 L 28
M 39	M 34 × 1	M 34 × 1.5			GPN 330 L 39
	M 35 × 1	M 35 × 1.5	M 35 × 2		GPN 330 L 39
	M 36 × 1	M 36 × 1.5	M 36 × 2		GPN 330 L 39
	M 37 × 1	M 37 × 1.5	M 37 × 2		GPN 330 L 39
		M 38 × 1.5	M 38 × 2		GPN 330 L 39

GRIP CLOSURES

# GPN 335

MK Slovenia  
MK Croatia  
MK Serbia

**Free test samples:**  
(+386) 04 510 53 60  
(+385) 051 213 060  
(+381) 011 25 21 756



**Standard colour:** Yellow  
**Material:** PE-LD

item	Dimensions					Order no.
	A	B	C	H	(M)	
GPN 335 M 12 × 1.5	14	10.1	12	7.5	17.5	335 1215 0000
GPN 335 M 14 × 1.5	17	12.1	14	7.5	17.5	335 1415 0000
GPN 335 M 16 × 1.5	19	14.1	16	7.5	17.5	335 1615 0000
GPN 335 M 18 × 1.5	22	15.8	18	8.7	18.7	335 1815 0000
GPN 335 M 20 × 1.5	24	17.8	20	8.7	18.7	335 2015 0000
GPN 335 M 22 × 1.5	27	19.9	22	8.7	18.7	335 2215 0000
GPN 335 M 24 × 1.5	30	21.8	24	10.7	20.2	335 2415 0000
GPN 335 M 26 × 1.5	32	22.5	27.5	8.5	18.5	335 2615 0000
GPN 335 M 30 × 2	40	26.6	30	10	20	335 3020 0000
GPN 335 M 36 × 2	45	32.6	36	12	24.5	335 3620 0000
GPN 335 M 42 × 2	55	38.5	41.5	12	24.5	335 4220 0000
GPN 335 M 45 × 2	55	41.5	45	12	24.5	335 4520 0000
GPN 335 M 52 × 2	65	48.5	51.5	12	26	335 5220 0000

Size in mm

For information regarding materials, colours, drawings and the use of our items, please refer to pages 124/125.

## Application Guide

Standard thread	Metric threads		Pipe thread	item
	Fine thread			
M 12	M 12 × 1	M 12 × 1.5		GPN 335 M 12 × 1.5
	M 14 × 1	M 14 × 1.5		GPN 335 M 14 × 1.5
	M 16 × 1	M 16 × 1.5	3/8	GPN 335 M 16 × 1.5
	M 18 × 1	M 18 × 1.5		GPN 335 M 18 × 1.5
	M 20 × 1	M 20 × 1.5	M 21 × 2	GPN 335 M 20 × 1.5
	M 22 × 1	M 22 × 1.5		GPN 335 M 22 × 1.5
	M 24 × 1	M 24 × 1.5		GPN 335 M 24 × 1.5
		M 25 × 1.5	3/4	GPN 335 M 26 × 1.5
		M 26 × 1.5		GPN 335 M 26 × 1.5
		M 27 × 1.5	M 27 × 2	GPN 335 M 26 × 1.5
M 39		M 30 × 1.5	7/8	GPN 335 M 30 × 2
		M 36 × 1.5	1 1/8	GPN 335 M 36 × 2
		M 42 × 1.5		GPN 335 M 42 × 2
		M 42 × 2		GPN 335 M 42 × 2
M 45		M 45 × 1.5		GPN 335 M 45 × 2
		M 45 × 2		GPN 335 M 45 × 2
		M 52 × 1.5	M 52 × 2	GPN 335 M 52 × 2
M 56				GPN 335 M 52 × 2
				GPN 335 M 52 × 2

This application table is a guide only. We will be happy to send you free samples for testing. For apertures and bore holes without thread, please use dimensions B and C.

You might also be interested in the following products: **GPN 310, GPN 700, GPN 1050**

CONTACT PROTECTION

# GPN 360

MK Slovenia  
MK Croatia  
MK Serbia

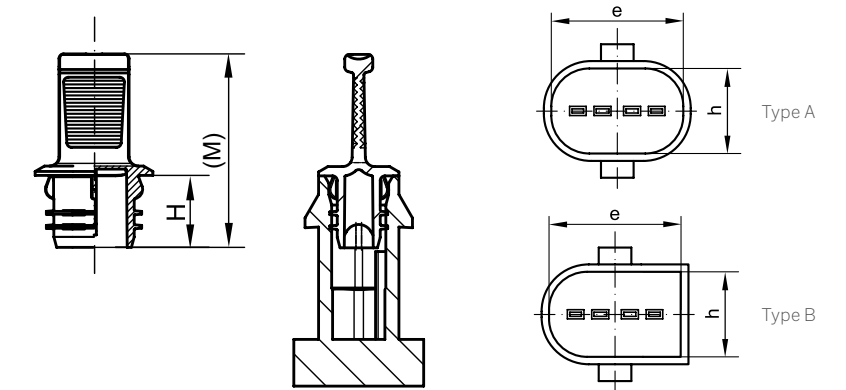
**Free test samples:**  
(+386) 04 510 53 60  
(+385) 051 213 060  
(+381) 011 25 21 756



Type A



**Standard colour:** Yellow  
**Material:** PE-LLD



item	Forma	Suitable for internal contour		Dimensions		Order no.
		e	h	H	(M)	
GPN 360 KS 1006	A	9.8	5.8	7.7	20.7	360 1006 0000
GPN 360 KS 1406	A	13.8	5.8	7.7	20.7	360 1406 0000
GPN 360 KS 1812	B	17.48	11.48	7.7	20.7	360 1812 0000
GPN 360 KS 2008	A	19.5	7.15	7.7	20.7	360 2008 0000
GPN 360 KS 2009	A	20.2	9.87	7.7	20.7	360 2009 0000
GPN 360 KS 2312	B	22.48	11.48	7.7	20.7	360 2312 0000
GPN 360 KS 2408	A	23.15	7.15	7.7	20.7	360 2408 0000
GPN 360 KS 2808	A	27.15	7.15	7.7	20.7	360 2808 0000
GPN 360 KS 2812	B	27.48	11.48	7.7	20.7	360 2812 0000
GPN 360 KS 3112	A	31.2	12.1	7.5	20.5	360 3112 0000
GPN 360 KS 3608	A	35.15	7.15	7.7	20.7	360 3608 0000
GPN 360 KS 3715	A	36.2	14.5	7.7	20.7	360 3715 0000
GPN 360 KS 3816	B	37.3	15.2	7.7	20.7	360 3816 0000
GPN 360 KS 3912	A	39.1	11.8	8	21	360 3912 0000
GPN 360 KS 4117	A	41.9	17.9	7.7	20.7	360 4117 0000
GPN 360 KS 4217	A	42.8	17.7	7.7	20.7	360 4217 0000

Size in mm

For information regarding materials, colours, drawings and the use of our items, please refer to pages 124/125.

## Application Guide

Suitable for contact connectors												
MLK 1.2 AK Pole number						SLK 2.8 VDA Pole number			MAK 12 Pole number		item	
2	3	4	5	6	8	12	16	2	3	4		2
												GPN 360 KS 1006
												GPN 360 KS 1406
												GPN 360 KS 2008
												GPN 360 KS 2408
												GPN 360 KS 2808
												GPN 360 KS 3608
												GPN 360 KS 3112
												GPN 360 KS 1812
												GPN 360 KS 2312
												GPN 360 KS 2812
												GPN 360 KS 3816
												GPN 360 KS 3715
												GPN 360 KS 3912

The contact protection GPN 360 was developed for the special compact connector connections listed in the application table. The contact protection is also suitable for other connector sockets.

You might also be interested in the following products: **GPN 211, GPN 365**

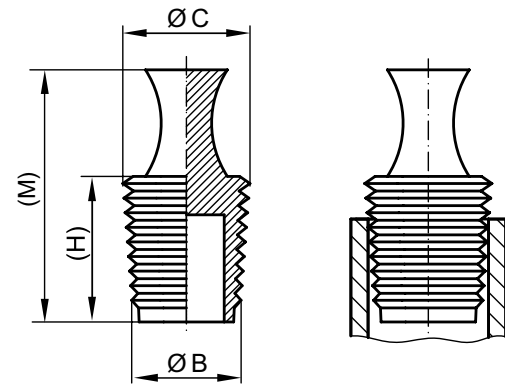
- DIN ISO Better fit.** Protection for compact connector sockets, e.g MLK, SLK and MAK.
- Save time.** With practical tab for fast removal.
- Seals better.** Prevents penetration of liquids within certain limits.
- VDA Band 19 Cleaner.** Upon request, we can manufacture in the specially designed cleanroom in accordance with VDA Volume 19 and ISO 16232. For further information, please refer to page 129.
- Info Better.** Optimum clamping fit thanks to circumferential fins. Type A is also suitable for oval openings.

GRIP PLUGS

# GPN 607

MK Slovenia  
MK Croatia  
MK Serbia

**Free test samples:**  
(+386) 04 510 53 60  
(+385) 051 213 060  
(+381) 011 25 21 756



**Standard colour:** Natural  
**Material:** SI

item	Dimensions				Order no.
	B	C	(H)	(M)	
GPN 607 / 0204	2	4	19.5	35.2	607 0204 0000
GPN 607 / 0406	4	6	25.4	43.2	607 0406 0000
GPN 607 / 0608	6	8	25.4	43.1	607 0608 0000
GPN 607 / 0810	8	10.5	25.4	43	607 0810 0000
GPN 607 / 1012	9.8	11.5	25.4	43.5	607 1012 0000
GPN 607 / 1214	11.9	14.5	25.4	42.5	607 1214 0000
GPN 607 / 1416	14	16	25.4	42.5	607 1416 0000
GPN 607 / 1618	16	18	25.4	42.5	607 1618 0000
GPN 607 / 1820	18	20	26	43	607 1820 0000
GPN 607 / 2022	20	22.5	25.4	43	607 2022 0000
GPN 607 / 2224	22.5	24	25.4	43	607 2224 0000
GPN 607 / 2426	24	26	25.4	43	607 2426 0000
GPN 607 / 2628	25.7	28	25.4	43	607 2628 0000
GPN 607 / 2832	28.6	32	25.4	43.8	607 2832 0000

Size in mm

For more information about the application of our items, please refer to pages 124/125.

## Application Guide

**Metric threads**

Standard thread	Fine thread	Pipe thread	Unified Thread pursuant to ASME / ANSI B 1.1 UN / UNC / UNF / UNEF	item
M 4				GPN 607 / 0204
M 6	M 6 × 0.75			GPN 607 / 0406
M 8	M 8 × 1		5/16	GPN 607 / 0608
M 10	M 10 × 1	1/8	3/8	GPN 607 / 0810
M 12	M 12 × 1 M 12 × 1.5		7/16	GPN 607 / 1012
M 14	M 14 × 1.5	1/4	1/2	GPN 607 / 1214
M 16	M 14 × 1 M 16 × 1 M 16 × 1.5	3/8	9/16 5/8	GPN 607 / 1416
M 18	M 18 × 1 M 18 × 1.5		3/4	GPN 607 / 1618
M 20	M 20 × 1.5	1/2		GPN 607 / 1820
M 22	M 22 × 1.5	1/2 5/8	7/8	GPN 607 / 2022
M 24	M 24 × 1.5 M 24 × 2		1	GPN 607 / 2224
M 26	M 26 × 1.5	3/4	1 1/16	GPN 607 / 2426
M 28 M 30	M 28 × 1.5 M 28 × 2			GPN 607 / 2628
M 32	M 30 × 1.5 M 32 × 1.5 M 32 × 2	7/8		GPN 607 / 2832

This application table is a guide only. We would be happy to send you free samples for testing. For apertures and bore holes without thread, please use dimensions B and C.

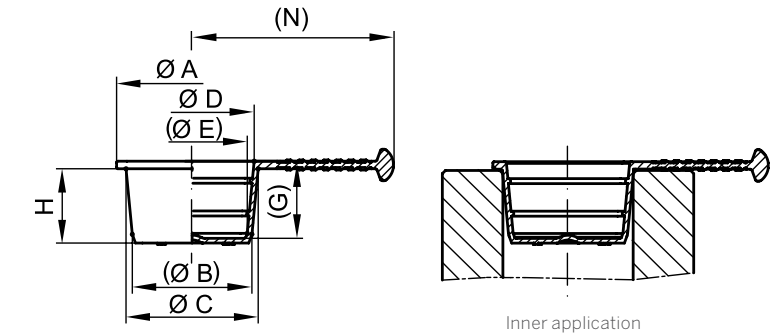
Flash and foreign particles are permitted for these items. We recommend that you carry out functional tests before series production.

**You might also be interested in the following products:**  
GPN 310, GPN 330, GPN 605, GPN 606, GPN 608

TAPERED CLOSURE WITH SIDE TAB

# GPN 608

**Watch the film now:**  
poeppele.com/en/gpn608



**Standard colour:** Yellow  
**Material:** PE-LD

item	Inner application								Order no.
	A	(B)	C	H	D	(E)	(G)	(N)	
608 BL 90	11	7	9	8.8	7.8	5.5	9.3	17.5	608 0090 0000
608 BL 100	12	8	10	8.8	8.8	6.4	9.3	18	608 0100 0000
608 BL 110	13	9	11	8.8	9.8	7.4	9.3	18.5	608 0110 0000
608 BL 120	14	10	12	9.8	10.7	8.4	10.1	19	608 0120 0000
608 BL 130	15	11	13	9.8	11.8	9.4	10.3	19.5	608 0130 0000
608 BL 140	16	12	14	10.8	12.7	10.5	11.3	20	608 0140 0000
608 BL 150	18	13	15	10.8	13.7	11.3	11.3	24	608 0150 0000
608 BL 160	19	14.1	15.9	10.8	14.7	12.3	11.2	24.5	608 0160 0000
608 BL 170	19.9	14.9	16.8	10.8	15.7	13.4	11.2	25	608 0170 0000
608 BL 180	20.9	16.1	17.8	10.8	16.7	14.4	11.2	25.5	608 0180 0000
608 BL 190	21.9	17.2	18.9	10.8	17.7	15.4	11.2	26	608 0190 0000
608 BL 200	22.9	18.1	19.9	11.8	18.7	16.4	12.2	31.5	608 0200 0000
608 BL 210	23.8	19.2	20.7	11.8	19.7	17.4	12.2	32	608 0210 0000
608 BL 220	25	20.3	22.1	11.8	20.7	18.1	12.2	32.5	608 0220 0000
608 BL 230	26	21	23	11.8	21.7	19.4	12.3	33	608 0230 0000
608 BL 240	27	22	24	11.8	22.7	20.4	12.3	33.5	608 0240 0000
608 BL 250	27.9	23.3	24.7	11.8	23.7	21.4	12.2	34	608 0250 0000
608 BL 260	28.9	24.2	25.7	11.8	24.7	22.4	12.2	34.5	608 0260 0000
608 BL 270	29.9	25.2	26.8	12.8	25.7	23.4	13.2	35	608 0270 0000
608 BL 280	31.9	26.1	27.9	12.8	26.7	24.4	13.2	36	608 0280 0000
608 BL 290	33.8	27.2	28.8	12.8	27.7	25.4	13.2	37	608 0290 0000
608 BL 300	35	28.4	30	12.8	28.6	26.2	13	37.5	608 0300 0000
608 BL 330	41	32.1	33	6.5	31.7	30	7.7	40.5	608 0330 0000
608 BL 670	71.8	65.8	66.8	10.5	65.4	64.3	11	50.87	608 0670 0000

Size in mm

For information regarding materials, colours, drawings and the use of our items, please refer to pages 124/125.

**You might also be interested in the following products:** GPN 308, GPN 600, GPN 610, GPN 615

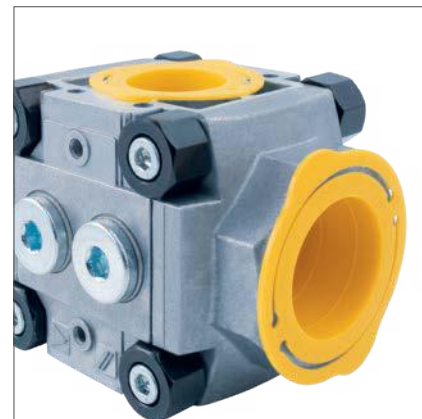
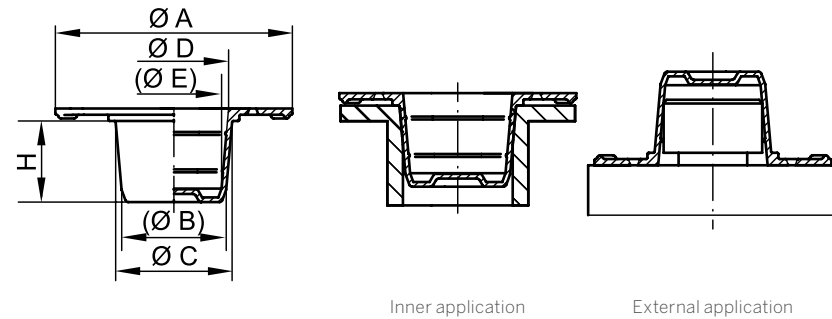
- Saves time.**  
Practical tab for easy removal.
- More versatile.**  
The tapered design is ideal for accommodating large tolerances.
- Higher temperature resistance.**  
Heat resistant to approx. 250 °C. More details: page 125 "Physical properties".
- Seals better.**  
Circumferential ribs are providing limited sealing action against an ingress or outflow of fluids.
- Better.**  
Suitable for bore holes and internal threads. Particularly suitable for painting.

- Saves time.**  
Very quick disassembly thanks to an innovative lateral removal tab – protected tab design.
- More versatile.**  
Can be used universally as plug or cap. The tapered design is ideal for accommodating tolerances.
- Cleaner.**  
Upon request, we can manufacture in the specially designed cleanroom in accordance with VDA Volume 19 and ISO 16232. For further information, please refer to page 129.
- Better.**  
To close off bore holes and internal threads, or to protect studs and external threads.

UNIVERSAL PROTECTION WITH RING LUG

# GPN 615

Free test samples:  
 MK Slovenia (+386) 04 510 53 60  
 MK Croatia (+385) 051 213 060  
 MK Serbia (+381) 011 25 21 756



Standard colour: Yellow  
 Material: PE-LD

**Saves time.**  
 Easy removal due to ring lug.

**More versatile.**  
 The conical shape of the plug bridges larger tolerances. Can also be used as a cap.

**Cleaner.**  
 Upon request, we can manufacture in the specially designed cleanroom in accordance with VDA Volume 19 and ISO 16232. For further information, please refer to page 129.

**Better.**  
 For the protection of threads, pipes, hoses and openings. No loss of space due to ring lug lying flat on top.

item	Inner application				External application		Order no.
	A	(B)	C	H	D	(E)	
GPN 615 UL 88	29	7.6	9.1	10	7.7	6.2	615 0088 0000
GPN 615 UL 91	29	7.8	9.5	10	8	6.3	615 0091 0000
GPN 615 UL 107	29	9.5	11.1	10	9.6	7.9	615 0107 0000
GPN 615 UL 114	29	10.2	11.9	10	10.3	8.6	615 0114 0000
GPN 615 UL 127	29	11.5	13.1	10	11.6	9.9	615 0127 0000
GPN 615 UL 147	32	13.1	14.9	12	13.6	11.6	615 0147 0000
GPN 615 UL 167	34	14.9	17	13	15.6	13.4	615 0167 0000
GPN 615 UL 187	38	17	19.2	13	17.5	15.3	615 0187 0000
GPN 615 UL 207	40	18.6	21.1	15	19.5	16.9	615 0207 0000
GPN 615 UL 241	46	21.5	24.7	18	22.9	19.8	615 0241 0000
GPN 615 UL 309	56	28.1	30.8	19	29.7	26.4	615 0309 0000
GPN 615 UL 448	80	42.2	45.4	19	43.5	40.2	615 0448 0000
GPN 615 UL 628	95	58.4	62.8	25	60.8	56.4	615 0628 0000

Size in mm

For information regarding materials, colours, drawings and the use of our items, please refer to pages 124/125.

## Application Guide

Suitable for use as plug (Inner application)

Metric threads		Pipe thread	item
Fine thread			
M 10 × 1	M 10 × 1.5	G 1/8	GPN 615 UL 88
	M 12 × 1.5		GPN 615 UL 91
		G 1/4	GPN 615 UL 107
	M 14 × 1.5		GPN 615 UL 114
	M 16 × 1.5		GPN 615 UL 127
	M 18 × 1.5		GPN 615 UL 147
	M 20 × 1.5	G 1/2	GPN 615 UL 167
	M 22 × 1.5	G 5/8	GPN 615 UL 187
	M 26 × 1.5	G 3/4	GPN 615 UL 207
	M 32 × 1.5	G 1	GPN 615 UL 241
		G 1 1/2	GPN 615 UL 309
			GPN 615 UL 448

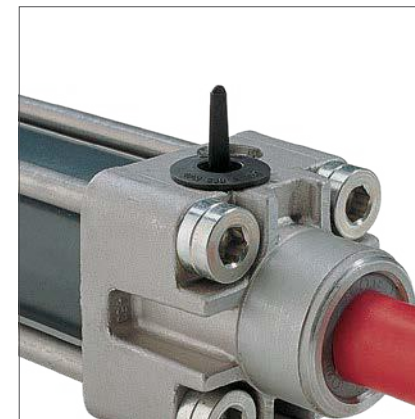
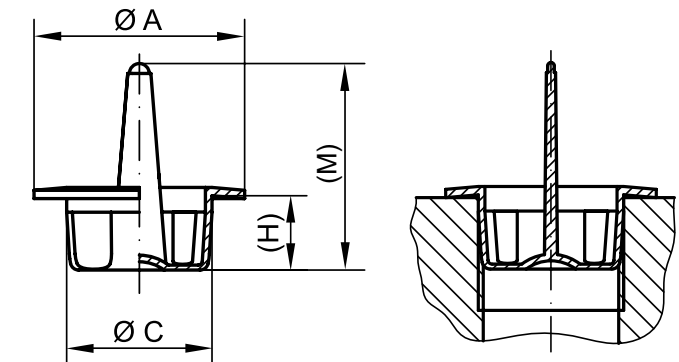
This application table is a guide only. We will be happy to send you free samples for testing. For apertures and bore holes without thread, please use dimensions B and C.

You might also be interested in the following products: GPN 305, GPN 308, GPN 610, GPN 620

GRIP PLUGS

# GPN 630

Free test samples:  
 MK Slovenia (+386) 04 510 53 60  
 MK Croatia (+385) 051 213 060  
 MK Serbia (+381) 011 25 21 756



Standard colour: Black  
 Material: TPE (plasticiser-free)

**Saves time.**  
 With removal grip for fast removal.

**Higher temperature resistance.**  
 Heat resistant to 150 °C. More details: page 125, "Physical properties".

**Better.**  
 Plugs are designed to turn inside out during low abrasion removal.

item	Dimensions				Order no.
	A	C	(H)	(M)	
GPN 630 M 8 × 1	15.5	7.5	9	23	630 0810 0000
GPN 630 M 10 × 1	17.5	9.5	8	22.8	630 1010 0000
GPN 630 M 12 × 1	19.5	11.5	9	23.5	630 1210 0000
GPN 630 M 14 × 1.5	21.5	13.5	9	23.8	630 1415 0000
GPN 630 M 16 × 1.5	23.5	15.5	9	23.8	630 1615 0000
GPN 630 M 18 × 1.5	25.5	17.6	9	25	630 1815 0000
GPN 630 M 20 × 1.5	27.5	19.5	9	25	630 2015 0000
GPN 630 M 22 × 1.5	29.5	21.5	9	25	630 2215 0000
GPN 630 M 24 × 1.5	28.5	23.5	9	25	630 2415 0000

Size in mm

For information regarding materials, colours, drawings and the use of our items, please refer to pages 124/125.

## Application Guide

Standard thread	Metric threads		Unified Thread pursuant to ASME / ANSI B 1.1 UN / UNC / UNF / UNEF	item
	Fine thread			
M 8	M 8 × 1		5/16	GPN 630 M 8 × 1
	M 10 × 1		3/8	GPN 630 M 10 × 1
	M 12 × 1	M 12 × 1.25	1/2	GPN 630 M 12 × 1
	M 13 × 1	M 14 × 1.5	9/16	GPN 630 M 14 × 1.5
		M 16 × 1.5	5/8	GPN 630 M 16 × 1.5
		M 17 × 2	11/16	GPN 630 M 18 × 1.5
		M 18 × 1.5		GPN 630 M 20 × 1.5
		M 20 × 1		GPN 630 M 20 × 1.5
		M 22 × 1	7/8	GPN 630 M 22 × 1.5
		M 24 × 1.5	15/16	GPN 630 M 24 × 1.5

This application table is a guide only. We will be happy to send you free samples for testing. For apertures and bore holes without thread, please use dimensions B and C.

You might also be interested in the following products: GPN 305, GPN 615

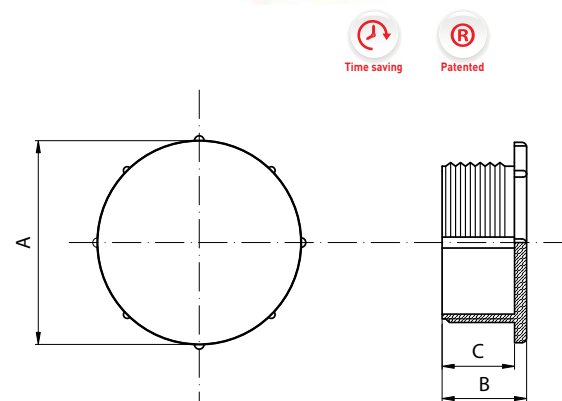
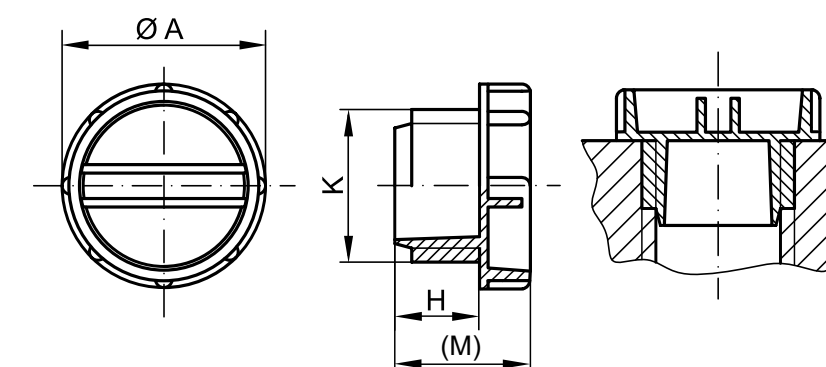
Naziv / Name:	Material / Material:	Skupina izdelkov / Product Group:
Plastični čep za fleksibilne cevi	LDPE (Low-density polyethylene)	Svet plastičnih elementov

Samo manjši pritisk in polovični zasuk in že je navojni priključek zaprt. Za demontažo čepa ne potrebujemo orodja, ampak ga enostavno odvijemo. Pri tem ostane navoj popolnoma čist in nepoškodovan.



SCREW PLUGS  
**GPN 700**  
with metric threads

Free test samples:  
MK Slovenia (+386) 04 510 53 60  
MK Croatia (+385) 051 213 060  
MK Serbia (+381) 011 25 21 756



Izvedba z navoji za plin

GAS	Dimensions (mm)		
Koda izdelka / Code	A	B	C
TMG 1/8	14,50	8,50	6,00
TMG 1/4	17,50	11,50	6,50
TMG 3/8	21,00	12,50	7,50
TMG 1/2	25,50	14,50	8,50
TMG 5/8	26,00	12,60	7,90
TMG 3/4	30,00	17,00	9,50
TMG 1	37,00	15,50	9,50
TMG 1-1/4	47,00	17,50	10,50

Izvedba z UNF navoji

UNF	Dimensions (mm)		
Koda izdelka / Code	A	B	C
TMU 3/8 - 24	14,50	8,50	6,00
TMU 7/16- 20	16,50	9,50	7,00
TMU 1/2 - 20	17,50	11,50	6,50
TMU 9/16-	20,50	11,50	7,00
TMU 5/8 -	21,00	12,50	7,50
TMU 3/4 16	21,50	11,50	7,50
TMU 7/8 - 14	26,00	13,50	8,50
TMU 1-1/16 -	30,00	17,00	9,50
TMU 1-5/16 -	37,00	15,50	9,50
TMU- 5/8-	47,00	20,00	14,00
TMU2	60,50	15,50	9,50

Izvedba z metričnimi navoji

METRIC	Dimensions (mm)		
Koda izdelka / Code	A	B	C
TMM 07X01	11,50	9,50	5,00
TMM 08X01	11,50	9,50	5,00
TMM 10X01	14,50	8,50	6,00
TMM 12X1.5	17,50	11,50	6,50
TMM 14X1.5	20,50	11,50	7,00
TMM 16X1.5	21,00	12,50	7,50
TMM 18X0	21,50	14,00	9,00
TMM 20X1.5	25,50	14,50	8,50
TMM 22X1.5	26,00	13,50	8,50
TMM 24X1.5	28,50	15,00	10,00
TMM 26X1.5	30,00	15,50	9,50
TMM 30X1.5	35,00	14,00	8,00
TMM 30X02	35,00	14,00	8,00
TMM 36X02	40,00	16,00	10,00
TMM 38X1.5	45,00	16,00	10,00
TMM 42X1.5	46,00	17,50	10,50
TMM 42X02	46,00	17,50	10,50
TMM 45X02	50,50	17,50	11,50
TMM 52X02	60,50	17,50	11,50



Standard colour: Yellow  
Material: PE-HD

**i Better.** Suitable for a wide range of metric and imperial internal threads, as well as pipe threads in accordance with DIN EN ISO 228-1. Easy-to-grip head for manual assembly. The small to medium sizes feature a slot so that screwdrivers can be used for installation.

item	Suitable for external		Dimensions			Order no.
	Thread K		A	H	(M)	
GPN 700 M 6	M 6		12	7	12	700 0006 0000
GPN 700 M 6 × 0,75	M 6 × 0,75		12	7	12	700 6075 0000
GPN 700 M 8	M 8		12	7	12	700 0008 0000
GPN 700 M 10	M 10		14	9	14	700 0010 0000
GPN 700 M 12	M 12		16	9	14	700 0012 0000
GPN 700 M 14	M 14		19	9	14	700 0014 0000
GPN 700 M 16	M 16		21	10	16	700 0016 0000
GPN 700 M 18	M 18		24	10	16	700 0018 0000
GPN 700 M 20	M 20		26	12	18	700 0020 0000
GPN 700 M 22	M 22		28	12	18	700 0022 0000
GPN 700 M 24	M 24		31,5	10	18	700 0024 0000
GPN 700 M 30	M 30		35,4	17,7	26	700 0030 0000
GPN 700 M 36	M 36		43,6	18	28	700 0036 0000
GPN 700 M 42	M 42		51,7	17,7	27,8	700 0042 0000
GPN 700 M 8 × 1	M 8 × 1		12	7	12	700 0810 0000
GPN 700 M 10 × 1	M 10 × 1		14	9	14	700 1010 0000
GPN 700 M 12 × 1	M 12 × 1		16	9	14	700 1210 0000
GPN 700 M 14 × 1	M 14 × 1		19	9	14	700 1410 0000
GPN 700 M 18 × 1	M 18 × 1		24	10	16	700 1810 0000
GPN 700 M 12 × 1,5	M 12 × 1,5		16	9	14	700 1215 0000
GPN 700 M 14 × 1,5	M 14 × 1,5		19	9	14	700 1415 0000
GPN 700 M 16 × 1,5	M 16 × 1,5		21	10	16	700 1615 0000
GPN 700 M 18 × 1,5	M 18 × 1,5		24	10	16	700 1815 0000
GPN 700 M 20 × 1,5	M 20 × 1,5		26	12	18	700 2015 0000
GPN 700 M 22 × 1,5	M 22 × 1,5		28	12	18	700 2215 0000
GPN 700 M 24 × 1,5	M 24 × 1,5		31,5	10	18	700 2415 0000
GPN 700 M 26 × 1,5	M 26 × 1,5		31,5	12	20	700 2615 0000
GPN 700 M 30 × 1,5*	M 30 × 1,5		36	12	20	700 3015 0000
GPN 700 M 36 × 1,5*	M 36 × 1,5		44	13	23	700 3615 0000
GPN 700 M 42 × 1,5*	M 42 × 1,5		51	15	25	700 4215 0000
GPN 700 M 45 × 1,5*	M 45 × 1,5		55	15	25	700 4515 0000
GPN 700 M 52 × 1,5*	M 52 × 1,5		60	15	25	700 5215 0000
GPN 700 M 24 × 2	M 24 × 2		31,5	10	18	700 2420 0000
GPN 700 M 27 × 2*	M 27 × 2		32	12	20	700 2720 0000
GPN 700 M 30 × 2*	M 30 × 2		36	12	20	700 3020 0000
GPN 700 M 33 × 2*	M 33 × 2		39	13	23	700 3320 0000
GPN 700 M 36 × 2*	M 36 × 2		44	13	23	700 3620 0000
GPN 700 M 42 × 2*	M 42 × 2		52	15	25	700 4220 0000
GPN 700 M 45 × 2*	M 45 × 2		55	15	25	700 4520 0000
GPN 700 M 52 × 2*	M 52 × 2		60	15	25	700 5220 0000

Size in mm

» Continued on page 106

For information regarding materials, colours, drawings and the use of our items, please refer to pages 124/125.

\*Head without slot.

You might also be interested in the following products: GPN 310, GPN 737

## SCREW PLUGS

# GPN 700

with imperial threads

Standard colour: Yellow

Material: PE-HD

« Continued from page 105

item	Suitable for external Thread K	Dimensions			Order no.
		A	H	(M)	
GPN 700 1/4 - 18 NPTF	1/4 - 18 NPTF	19	9	15	700 0591 0000
GPN 700 1/4 - 28 UNF*	1/4 - 28 UNF	12	7	12	700 7229 0000
GPN 700 3/8 - 24 UNF	3/8 - 24 UNF	14	9	14	700 3194 0000
GPN 700 7/16 - 20 UNF	7/16 - 20 UNF	16	9	14	700 0497 0000
GPN 700 1/2 - 20 UNF	1/2 - 20 UNF	16	9	14	700 3191 0000
GPN 700 9/16 - 18 UNF	9/16 - 18 UNF	19	9	14	700 0498 0000
GPN 700 5/8 - 18 UNF	5/8 - 18 UNF	21	10	16	700 5084 0000
GPN 700 3/4 - 16 UNF	3/4 - 16 UNF	26	12	18	700 3192 0000
GPN 700 7/8 - 14 UNF	7/8 - 14 UNF	28	12	18	700 0496 0000
GPN 700 1 - 14 UNS*	1 - 14 UNS	32	10	18	700 7233 0000
GPN 700 1 1/16 - 12 UN*	1 1/16 - 12 UN	32	12	20	700 3193 0000
GPN 700 1 5/16 - 12 UN*	1 5/16 - 12 UN	42	13	23	700 5951 0000
GPN 700 1 5/8 - 12 UN*	1 5/8 - 12 UN	52	15	25	700 7241 0000
GPN 700 1 7/8 - 12 UN*	1 7/8 - 12 UN	57	15	25	700 7245 0000

Size in mm

For information regarding materials, colours, drawings and the use of our items, please refer to pages 124/125.

\*Head without slot.

# GPN 700

with Pipe threads (DIN EN ISO 228-1)

Standard colour: Yellow

Material: PE-HD

item	Suitable for external Thread K	Dimensions			Order no.
		A	H	(M)	
GPN 700 G 1/8	G 1/8	14	9	14	700 0371 0000
GPN 700 G 1/4	G 1/4	19	9	14	700 0400 0000
GPN 700 G 3/8	G 3/8	21	10	16	700 0386 0000
GPN 700 G 1/2	G 1/2	26	12	18	700 0395 0000
GPN 700 G 5/8	G 5/8	28	12	18	700 0401 0000
GPN 700 G 3/4	G 3/4	31.5	12	20	700 3371 0000

Size in mm

For information regarding materials, colours, drawings and the use of our items, please refer to pages 124/125.

## SCREW PLUGS

# GPN 703

for metric threads, only 2 ½ thread pitches

Standard colour: Yellow

Material: PE-LD

**Saves time.**

Screw-stopper with only 2 ½ threads for faster installation.

item	Suitable for external Thread K	Dimensions			Order no.
		A	H	(M)	
GPN 703 M 10 × 1	M 10 × 1	14.5	4	9	703 1010 0000
GPN 703 M 12 × 1.5	M 12 × 1.5	17.5	6	11	703 1215 0000
GPN 703 M 14 × 1.5	M 14 × 1.5	19	6	11	703 1415 0000
GPN 703 M 16 × 1.5	M 16 × 1.5	22.5	6.5	12.5	703 1615 0000
GPN 703 M 18 × 1.5	M 18 × 1.5	24	7	16	703 1815 0000
GPN 703 M 20 × 1.5	M 20 × 1.5	26	7	13	703 2015 0000
GPN 703 M 22 × 1.5	M 22 × 1.5	27.5	7	13	703 2215 0000
GPN 703 M 24 × 1.5	M 24 × 1.5	29.5	7	18	703 2415 0000
GPN 703 M 26 × 1.5	M 26 × 1.5	32	14.5	22.5	703 2615 0000
GPN 703 M 28 × 1.5	M 28 × 1.5	34	8	19	703 2815 0000

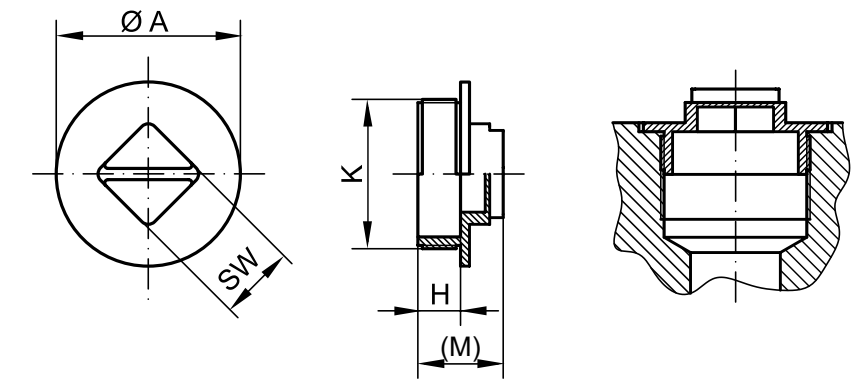
Size in mm

For information regarding materials, colours, drawings and the use of our items, please refer to pages 124/125.

You might also be interested in the following products: GPN 305, GPN 310, GPN 608, GPN 737

## SCREW PLUGS

# GPN 710

 MK Slovenia (+386) 04 510 53 60  
 MK Croatia (+385) 051 213 060  
 MK Serbia (+381) 011 25 21 756


Standard colour: Black

Material: PP

**Better.**

With collar and slotted square head, for installation using a spanner or screwdriver.

item	Suitable for external Thread K	Dimensions			Order no.	
		A	H	(M)		Spanne width (width across flat)
GPN 710 G 1/8	G 1/8	13	7	13	9	710 8134 0000
GPN 710 G 1/4*	G 1/4	16	7	13	9	710 0564 0000
GPN 710 G 3/8	G 3/8	21	7	15	12	710 8135 0000
GPN 710 G 1/2	G 1/2	27	9	19	13	710 4988 0000
GPN 710 G 3/4	G 3/4	34	7	17	14	710 8136 0000
GPN 710 G 1	G 1	41	9.5	19	17	710 8137 0000
GPN 710 G 1 1/4	G 1 1/4	52	9.5	21	19	710 8138 0000
GPN 710 G 1 1/2	G 1 1/2	60	12	25	24	710 8139 0000
GPN 710 G 2	G 2	72	12	25	27	710 8140 0000

Size in mm

For information regarding materials, colours, drawings and the use of our items, please refer to pages 124/125.

\*Head without slot.

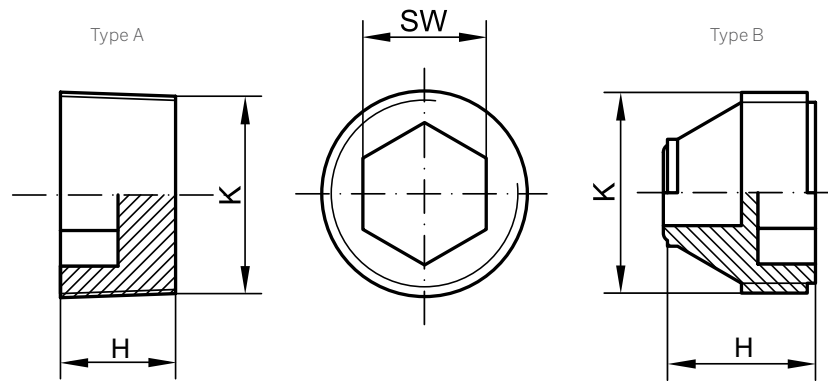
You might also be interested in the following products: GPN 700, GPN 738

## SCREW PLUGS

# GPN 720



Type A



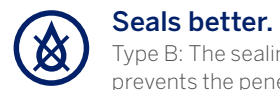
Type B

Standard colour: Yellow

Material: PE-LD

**More robust.**

Type A: Thick-walled version for higher loads.

**Seals better.**

Type B: The sealing cone prevents the penetration or leaking of liquids within certain limits.

**Better.**

Immersible screw plug with hexagonal socket.

## Type A

item	Suitable for external		Dimensions		Order no.
	Thread K	H	Wrench width inch	Wrench width metric	
GPN 720 / 1766	1/8 - 27 NPT	8,5		5	720 1766 0000
GPN 720 / 1602	1/4 - 18 NPT	12,5	1/4		720 1602 0000
GPN 720 / 1767	1/4 - 18 NPT	12,5		6	720 1767 0000
GPN 720 / 1601	3/8 - 18 NPT	13	5/16	8	720 1601 0000
GPN 720 / 1600	1/2 - 14 NPT	16,5	3/8		720 1600 0000
GPN 720 / 1768	1/2 - 14 NPT	16,5		10	720 1768 0000
GPN 720 / 1599	3/4 - 14 NPT	17	9/16		720 1599 0000
GPN 720 / 1769	3/4 - 14 NPT	17		14	720 1769 0000
GPN 720 / 1598	1 - 11 1/2 NPT	21,2	5/8		720 1598 0000
GPN 720 / 1770	1 - 11 1/2 NPT	21,2		17	720 1770 0000
GPN 720 / 1597	1 1/4 - 11 1/2 NPT	22	3/4	19	720 1597 0000
GPN 720 / 1596	1 1/2 - 11 1/2 NPT	22,5	53/64		720 1596 0000
GPN 720 / 1771	1 1/2 - 11 1/2 NPT	22,5		22	720 1771 0000
GPN 720 / 0052	M 16	16		8	720 0052 0000
GPN 720 / 8016	M 30	22,5		19	720 8016 0000

Size in mm

For information regarding materials, colours, drawings and the use of our items, please refer to pages 124/125.

You might also be interested in the following products: GPN 300 V, GPN 310, GPN 600

## Type B

item	Suitable for external		Dimensions		Order no.
	Thread K	H	Spanner width metric		
GPN 720 / 9463	M 10 × 1	11,2	5		720 9463 0000
GPN 720 / 0232	M 16 × 1,5	14	8		720 0232 0000
GPN 720 / 1763	M 18 × 1,5	13,3	10		720 1763 0000
GPN 720 / 1668	M 20 × 1,5	17,4	13		720 1668 0000

Size in mm

For information regarding materials, colours, drawings and the use of our items, please refer to pages 124/125.

You might also be interested in the following products: GPN 300 V, GPN 310, GPN 600, GPN 700

## Free test samples:

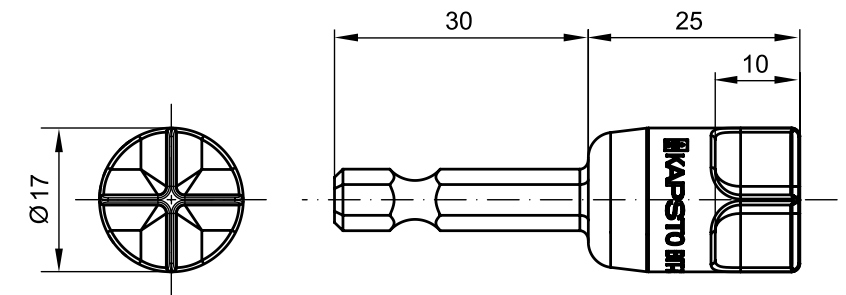
 MK Slovenia (+386) 04 510 53 60  
 MK Croatia (+385) 051 213 060  
 MK Serbia (+381) 011 25 21 756


## ASSEMBLY TOOL

# KAPSTO® BIT-73X

for mounting all sizes of the standard series GPN 730 and GPN 735 – GPN 738

## NEW



Material: Stainless steel

**More versatile.**

Only one assembly tool required for all sizes of the standard series GPN 730 and GPN 735 – GPN 738 (95 different screw plugs).

**Saves time.**

Quick installation and removal.

**More robust.**

Sturdy stainless steel construction.

**Better fit.**

The shaft is designed for screwdrivers with a socket pursuant to DIN ISO 1173.

**Better.**

The bit can be used with commercially available screwdrivers with drill chuck.

## Tightening torque Nm

Measures	Tightening torque Nm	
	GPN 730 / GPN 735 / GPN 736	GPN 737 / GPN 738
M 8 × 1	2	0,6
M 10 × 1	2	0,9
M 12 × 1,5	2	1
M 14 × 1,5	3	1,4
M 16 × 1,5	4	1,4
M 18 × 1,5	4	1,8
M 20 × 1,5	5	1,9
M 22 × 1,5	5	2,1
M 24 × 1,5	5	2,2
M 26 × 1,5	6	1,8
M 27 × 2	6	2,5
M 33 × 2	9	3,0
M 42 × 2	10	3,2
M 48 × 2	10	3,9
M 60 × 2	12	3
G 1/4	3	1,7
G 3/8	4	2
G 1/2	5	2,7
G 3/4	7	3,2
G 1	9	3,8
G 1 1/4	10	3,6
G 1 1/2	10	4,5
7/16 - 20 UNF	2	0,7
9/16 - 18 UNF	3	1,5
3/4 - 16 UNF	5	2,3
7/8 - 14 UNF	6	2,2
1 1/16 - 12 UN	7	2,3
1 5/16 - 12 UN	9	3,2
1 5/8 - 12 UN	10	2
1 7/8 - 12 UN	11	3,3

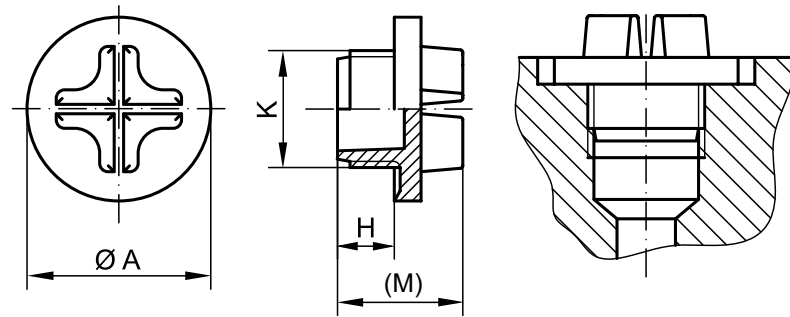
For information regarding materials, colours, drawings and the use of our items, please refer to pages 124/125.

You might also be interested in the following products: GPN 730, GPN 735, GPN 736, GPN 737, GPN 738

SEALING SCREW PLUGS

# GPN 730

for metric threads (DIN 13)



Free test samples:  
 MK Slovenia (+386) 04 510 53 60  
 MK Croatia (+385) 051 213 060  
 MK Serbia (+381) 011 25 21 756



Standard colour: Black  
 Material: PE-HD

# GPN 730

with Pipe threads (DIN EN ISO 228-1)

Standard colour: Black  
 Material: PA 6.6

**Seals better.**  
 Sealing lip (no mould-parting feature) prevents the penetration or leaking of liquids, depending on the application.

**More robust.**  
 Imperial screw-plugs are made of robust PA 6.6 for increased demands.

**Better.**  
 Installation by way of screwdriver, or of machine with special wrench.



**Faster.** With the BIT-73X.  
 The BIT-73X assembly tool facilitates the installation of all sizes of sealing plugs of the standard series GPN 730, 735, 736, 737 and 738.  
 For further information, please refer to page 109.

item	Suitable for external		Dimensions			Order no.
	Thread K	A	H	(M)		
GPN 730 M 10 × 1	M 10 × 1	18	6.8	15	730 1010 0000	
GPN 730 M 12 × 1.5	M 12 × 1.5	20	6.8	15	730 1215 0000	
GPN 730 M 14 × 1.5	M 14 × 1.5	22	6.8	15	730 1415 0000	
GPN 730 M 16 × 1.5	M 16 × 1.5	22	6.8	15	730 1615 0000	
GPN 730 M 18 × 1.5	M 18 × 1.5	25.7	8	16.5	730 1815 0000	
GPN 730 M 22 × 1.5	M 22 × 1.5	29.3	10	21.5	730 2215 0000	
GPN 730 M 26 × 1.5	M 26 × 1.5	34.8	8	19.5	730 2615 0000	
GPN 730 M 27 × 2	M 27 × 2	34.8	8	19.5	730 2720 0000	
GPN 730 M 33 × 2	M 33 × 2	39.5	6	17.3	730 3320 0000	

Size in mm

For information regarding materials, colours, drawings and the use of our items, please refer to pages 124/125.

item	Suitable for external		Dimensions			Order no.
	Thread K	A	H	(M)		
GPN 730 G 1/4	G 1/4	16.5	8	16	730 7124 0000	
GPN 730 G 3/8	G 3/8	20	10	19	730 6723 0000	
GPN 730 G 1/2	G 1/2	25	13	23.8	730 6649 0000	
GPN 730 G 3/4	G 3/4	31	19	29.8	730 7398 0000	

Size in mm

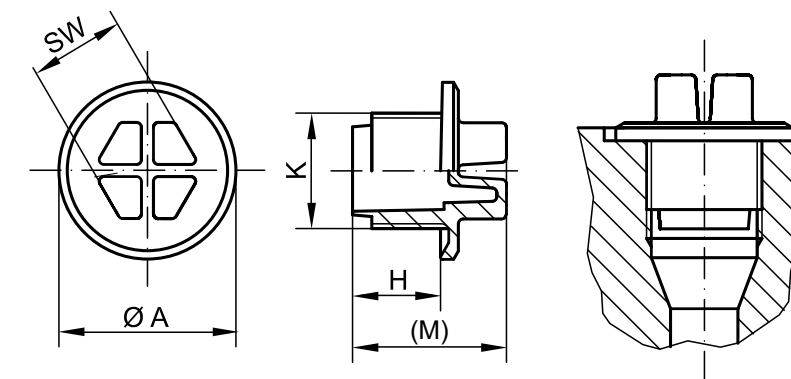
For information regarding materials, colours, drawings and the use of our items, please refer to pages 124/125.

You might also be interested in the following products: GPN 700, GPN 738

SEALING SCREW PLUGS

# GPN 735

Free test samples:  
 MK Slovenia (+386) 04 510 53 60  
 MK Croatia (+385) 051 213 060  
 MK Serbia (+381) 011 25 21 756



Standard colour: Yellow  
 Material: PA 6

**DIN ISO** **Better fit.**  
 For plugging screw holes acc. to DIN 3852-1, DIN ISO 6149-1.

**Seals better.**  
 The circumferential sealing lip (no mould-parting feature) prevents the penetration or leaking of liquids depending on the application.

**More robust.**  
 Made from premium, impact-resistant polyamide.

**Better.**  
 Installation either with screw driver or spanner. Particularly suitable for processes like cleaning, testing, painting or for transport.



**Faster.** With the BIT-73X.  
 The BIT-73X assembly tool facilitates the installation of all sizes of sealing plugs of the standard series GPN 730, 735, 736, 737 and 738.  
 For further information, please refer to page 109.

item	Suitable for external		Dimensions				Order no.
	Thread K	A	H	(M)	Spanne width (width across flat)		
GPN 735 M 8 × 1	M 8 × 1	12.2	8	15	7	735 0810 0000	
GPN 735 M 10 × 1	M 10 × 1	14.2	8	15	7	735 1010 0000	
GPN 735 M 12 × 1.5	M 12 × 1.5	17.2	11	18	10	735 1215 0000	
GPN 735 M 14 × 1.5	M 14 × 1.5	19.2	11	19	10	735 1415 0000	
GPN 735 M 16 × 1.5	M 16 × 1.5	22	11	21	13	735 1615 0000	
GPN 735 M 18 × 1.5	M 18 × 1.5	24	11	21	13	735 1815 0000	
GPN 735 M 20 × 1.5	M 20 × 1.5	26	11	21	15	735 2015 0000	
GPN 735 M 22 × 1.5	M 22 × 1.5	27.2	11	21	15	735 2215 0000	
GPN 735 M 24 × 1.5	M 24 × 1.5	31.5	12	22	15	735 2415 0000	
GPN 735 M 26 × 1.5	M 26 × 1.5	32	13.5	23.5	19	735 2615 0000	
GPN 735 M 27 × 2	M 27 × 2	32.3	11	21	19	735 2720 0000	
GPN 735 M 33 × 2	M 33 × 2	40.4	13.5	23.5	24	735 3320 0000	
GPN 735 M 42 × 2	M 42 × 2	50	13.5	24.5	24	735 4220 0000	
GPN 735 M 48 × 2	M 48 × 2	55.4	13.5	24.5	30	735 4820 0000	
GPN 735 M 60 × 2	M 60 × 2	68.5	13.5	24.5	30	735 6020 0000	
GPN 735 G 1/4	G 1/4	19.2	7.5	15	10	735 0658 0000	
GPN 735 G 3/8	G 3/8	22.2	7.5	17.5	13	735 0659 0000	
GPN 735 G 1/2	G 1/2	27.2	9.5	19.5	15	735 0660 0000	
GPN 735 G 3/4	G 3/4	32.3	9.5	19.5	19	735 0661 0000	
GPN 735 G 1	G 1	40	11.5	21.5	24	735 0662 0000	
GPN 735 G 1 1/4	G 1 1/4	50.4	11.5	22.5	24	735 0663 0000	
GPN 735 G 1 1/2	G 1 1/2	55.4	11.5	22.5	30	735 0664 0000	
GPN 735 9/16 - 18 UNF	9/16 - 18 UNF	17.8	11	18	10	735 2442 0000	

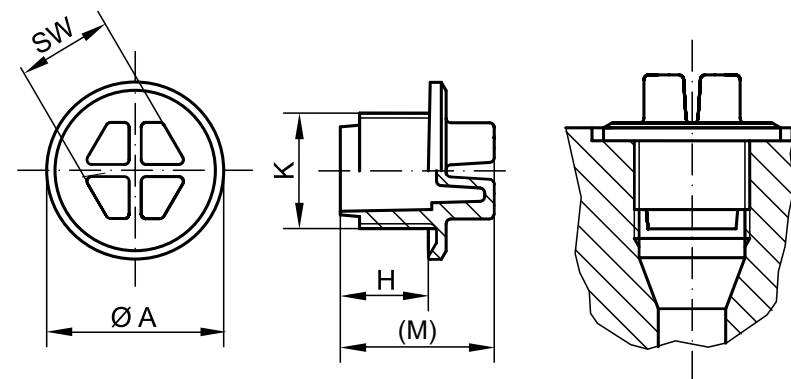
Size in mm

For information regarding materials, colours, drawings and the use of our items, please refer to pages 124/125.

You might also be interested in the following products: GPN 551, GPN 700, GPN 737

SEALING SCREW PLUGS

## GPN 736



Standard colour: Yellow

Material: PA 6

**Better fit.**

Suitable for internal threads in accordance with DIN 3852-1, ISO 11926.

**Seals better.**

The circumferential sealing lip (no mould-parting feature) prevents the penetration or leaking of liquids depending on the application.

**More robust.**

Made from premium, impact-resistant polyamide.

**Better.**

Installation either with screw driver or spanner. Particularly suitable for processes like cleaning, testing, painting or for transport.

**Faster.** With the BIT-73X.

The BIT-73X assembly tool facilitates the installation of all sizes of sealing plugs of the standard series GPN 730, 735, 736, 737 and 738.

For further information, please refer to page 109.

Suitable for external

Dimensions

item	Thread K	A	H	(M)	Spanne width (width across flat)	Order no.
GPN 736 M 10 × 1	M 10 × 1	15.4	8	15	7	736 1010 0000
GPN 736 M 12 × 1.5	M 12 × 1.5	18.4	9	16	10	736 1215 0000
GPN 736 M 14 × 1.5	M 14 × 1.5	20.4	9	17	10	736 1415 0000
GPN 736 M 16 × 1.5	M 16 × 1.5	23.4	10	20	13	736 1615 0000
GPN 736 M 18 × 1.5	M 18 × 1.5	25.4	11	21	13	736 1815 0000
GPN 736 M 22 × 1.5	M 22 × 1.5	28.4	12	22	15	736 2215 0000
GPN 736 M 27 × 2	M 27 × 2	33.35	15	25	19	736 2720 0000
GPN 736 M 33 × 2	M 33 × 2	42.3	15	25	24	736 3320 0000
GPN 736 M 42 × 2	M 42 × 2	51.3	15	26	24	736 4220 0000
GPN 736 M 48 × 2	M 48 × 2	56.3	17	28	30	736 4820 0000
GPN 736 1 1/16 - 12 UN	1 1/16 - 12 UN	37.85	15	25	19	736 2671 0000
GPN 736 1 5/8 - 12 UN	1 5/8 - 12 UN	55.8	15	26	30	736 2673 0000
GPN 736 1 5/16 - 12 UN	1 5/16 - 12 UN	44.8	15	25	24	736 2672 0000
GPN 736 1 7/8 - 12 UN	1 7/8 - 12 UN	63.3	15	26	30	736 2674 0000
GPN 736 3/4 - 16 UNF	3/4 - 16 UNF	26.9	11	21	13	736 2669 0000
GPN 736 7/8 - 14 UNF	7/8 - 14 UNF	30.4	13	23	15	736 2670 0000
GPN 736 7/16 - 20 UNF	7/16 - 20 UNF	17.4	9	16	10	736 2667 0000
GPN 736 9/16 - 18 UNF	9/16 - 18 UNF	21.4	10	18	10	736 2668 0000

Size in mm

For information regarding materials, colours, drawings and the use of our items, please refer to pages 124/125.

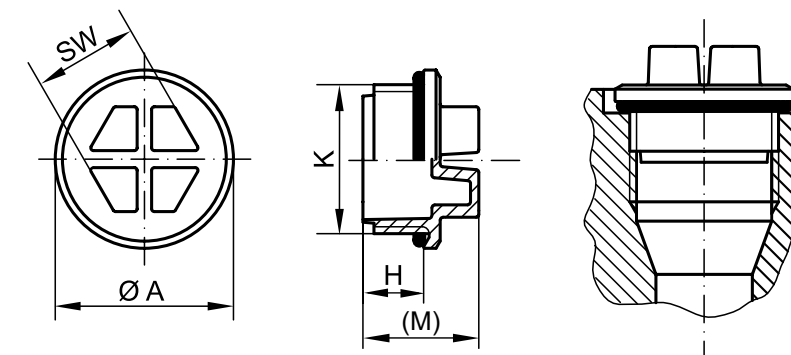
You might also be interested in the following products: GPN 551, GPN 700, GPN 738

Free test samples:  
MK Slovenia (+386) 04 510 53 60  
MK Croatia (+385) 051 213 060  
MK Serbia (+381) 011 25 21 756



SEALING SCREW PLUGS WITH O-RING

## GPN 737



Standard colour: Yellow

Material: PA 6

**Better fit.**

Suitable for internal threads in accordance with DIN 3852-1, DIN ISO 6149-1.

**Seals better.**

The circumferential sealing lip (no mould-parting feature) and the O-ring prevent the penetration or leaking of liquids depending on the application.

**More robust.**

Made from premium, impact-resistant polyamide.

**Better.**

Has the same characteristics as GPN 735, but with an additional O-ring – for stricter demands on leak tightness (e.g. unprocessed sealing surfaces, high process temperatures, long process times and higher pressure inside the component).

**Faster.** With the BIT-73X.

The BIT-73X assembly tool facilitates the installation of all sizes of sealing plugs of the standard series GPN 730, 735, 736, 737 and 738.

For further information, please refer to page 109.

Suitable for external

Dimensions

item	Thread K	A	H	(M)	Spanne width (width across flat)	Order no.
GPN 737 M 8 × 1	M 8 × 1	12.2	8	15	6	737 0810 0000
GPN 737 M 10 × 1	M 10 × 1	14.2	8	15	7	737 1010 0000
GPN 737 M 12 × 1.5	M 12 × 1.5	17.2	11	18	10	737 1215 0000
GPN 737 M 14 × 1.5	M 14 × 1.5	19.2	11	19	10	737 1415 0000
GPN 737 M 16 × 1.5	M 16 × 1.5	22	11	21	13	737 1615 0000
GPN 737 M 18 × 1.5	M 18 × 1.5	24	11	21	13	737 1815 0000
GPN 737 M 20 × 1.5	M 20 × 1.5	26	11	21	15	737 2015 0000
GPN 737 M 22 × 1.5	M 22 × 1.5	27.2	11	21	15	737 2215 0000
GPN 737 M 24 × 1.5	M 24 × 1.5	31.5	12	22	15	737 2415 0000
GPN 737 M 26 × 1.5	M 26 × 1.5	32	13.5	23.5	19	737 2615 0000
GPN 737 M 27 × 2	M 27 × 2	32.3	11	21	19	737 2720 0000
GPN 737 M 33 × 2	M 33 × 2	40.4	13.5	23.5	24	737 3320 0000
GPN 737 M 42 × 2	M 42 × 2	50	13.5	24.5	24	737 4220 0000
GPN 737 M 48 × 2	M 48 × 2	55.4	13.5	24.5	30	737 4820 0000
GPN 737 M 60 × 2	M 60 × 2	68.5	13.5	24.5	30	737 6020 0000
GPN 737 G 1	G 1	40	11.5	21.5	24	737 0662 0000
GPN 737 G 1 1/2	G 1 1/2	55.4	11.5	22.5	30	737 0664 0000
GPN 737 G 1 1/4	G 1 1/4	50.4	11.5	22.5	24	737 0663 0000
GPN 737 G 1/2	G 1/2	27.2	9.5	19.5	15	737 0660 0000
GPN 737 G 1/4	G 1/4	19.2	7.5	15	10	737 0658 0000
GPN 737 G 3/4	G 3/4	32.3	9.5	19.5	19	737 0661 0000
GPN 737 G 3/8	G 3/8	22.2	7.5	17.5	13	737 0659 0000
GPN 737 9/16 - 18 UNF	9/16 - 18 UNF	17.8	11	18	10	737 2442 0000

Size in mm

For information regarding materials, colours, drawings and the use of our items, please refer to pages 124/125.

The engraving equals the GPN 735 standard series.

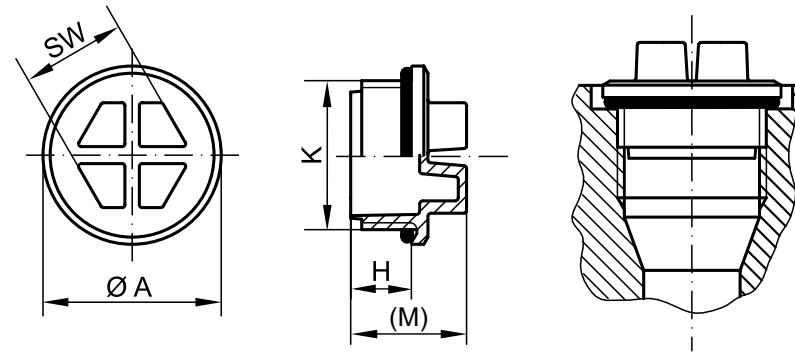
You might also be interested in the following products: GPN 551, GPN 700, GPN 735

Free test samples:  
MK Slovenia (+386) 04 510 53 60  
MK Croatia (+385) 051 213 060  
MK Serbia (+381) 011 25 21 756

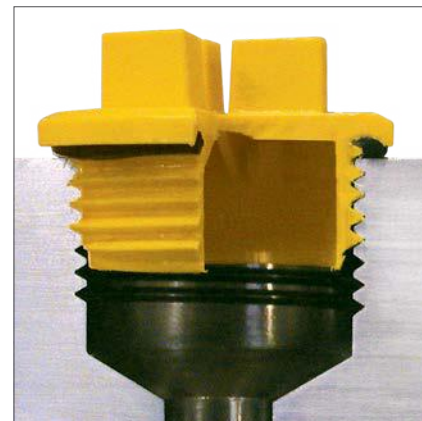


SEALING SCREW PLUGS WITH O-RING

# GPN 738



Free test samples:  
 MK Slovenia (+386) 04 510 53 60  
 MK Croatia (+385) 051 213 060  
 MK Serbia (+381) 011 25 21 756



Standard colour: Yellow  
 Material: PA 6


**Better fit.**

Suitable for internal threads in accordance with DIN 3852-1, ISO 11926.


**Seals better.**

The circumferential sealing lip (no mould-parting feature) and the O-ring prevent the penetration or leaking of liquids depending on the application.


**More robust.**

Made from premium, impact-resistant polyamide.


**Better.**

Has the same characteristics as GPN 736, but with an additional O-ring – for stricter demands on leak tightness (e.g. unprocessed sealing surfaces, high process temperatures, long process times and higher pressure inside the component).


**Faster.** With the BIT-73X.

The BIT-73X assembly tool facilitates the installation of all sizes of sealing plugs of the standard series GPN 730, 735, 736, 737 and 738.

For further information, please refer to page 109.

item	Thread K	Dimensions				Order no.
		A	H	(M)	Spanne width (width across flat)	
GPN 738 M 10 × 1	M 10 × 1	15.4	8	15	7	738 1010 0000
GPN 738 M 12 × 1.5	M 12 × 1.5	18.4	9	16	10	738 1215 0000
GPN 738 M 14 × 1.5	M 14 × 1.5	20.4	9	17	10	738 1415 0000
GPN 738 M 16 × 1.5	M 16 × 1.5	23.4	10	20	13	738 1615 0000
GPN 738 M 18 × 1.5	M 18 × 1.5	25.4	11	21	13	738 1815 0000
GPN 738 M 22 × 1.5	M 22 × 1.5	28.4	12	22	15	738 2215 0000
GPN 738 M 27 × 2	M 27 × 2	33.35	15	25	19	738 2720 0000
GPN 738 M 33 × 2	M 33 × 2	42.3	15	25	24	738 3320 0000
GPN 738 M 42 × 2	M 42 × 2	51.3	15	26	24	738 4220 0000
GPN 738 M 48 × 2	M 48 × 2	56.3	17	28	30	738 4820 0000
GPN 738 1 1/16 - 12 UN	1 1/16 - 12 UN	37.85	15	25	19	738 2671 0000
GPN 738 1 5/8 - 12 UN	1 5/8 - 12 UN	55.8	15	26	30	738 2673 0000
GPN 738 1 5/16 - 12 UN	1 5/16 - 12 UN	44.8	15	25	24	738 2672 0000
GPN 738 1 7/8 - 12 UN	1 7/8 - 12 UN	63.3	15	26	30	738 2674 0000
GPN 738 3/4 - 16 UNF	3/4 - 16 UNF	26.9	11	21	13	738 2669 0000
GPN 738 7/8 - 14 UNF	7/8 - 14 UNF	30.4	13	23	15	738 2670 0000
GPN 738 7/16 - 20 UNF	7/16 - 20 UNF	17.4	9	16	10	738 2667 0000
GPN 738 9/16 - 18 UNF	9/16 - 18 UNF	21.4	10	18	10	738 2668 0000

Size in mm

For information regarding materials, colours, drawings and the use of our items, please refer to pages 124/125.

The engraving equals the GPN 736 standard series.

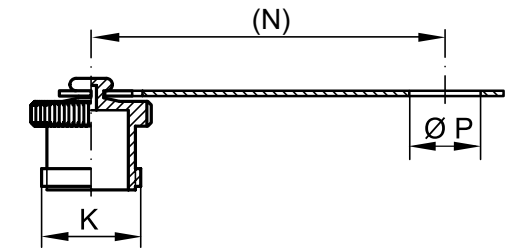
Further dimensions and thread types available on request.

You might also be interested in the following products: GPN 551, GPN 700, GPN 736

PROTECTIVE DUST PLUGS

# GPN 930 Type A

Free test samples:  
 MK Slovenia (+386) 04 510 53 60  
 MK Croatia (+385) 051 213 060  
 MK Serbia (+381) 011 25 21 756



Standard colour: Red  
 Material: PE-HD; PE-LLD (tab)


**Better fit.**

Protects open plug-in couplings – especially the thread.


**Seals better.**

Provides limited sealing action against an ingress or outflow of fluids.


**Better.**

Threaded. Self-retaining design due to integral strap.

item	Suitable for external Nominal size	Dimensions			Order no.
		K	(N)	P	
GPN 930 / 10075*	DN 6 + 8	M 28 × 2	100	20	930 0075 0000
GPN 930 / 10079*	DN 10 + 12	M 36 × 2	110	24	930 0079 0000
GPN 930 / 10030	DN 10 + 12	M 36 × 2	135	29.5	930 0030 0000
GPN 930 / 10083*	DN 16 + 20	Rd 48 × 3	145	41	930 0083 0000
GPN 930 / 10087*	DN 25 + 32	Rd 70 × 3	200	55	930 0087 0000

Size in mm

For information regarding materials, colours, drawings and the use of our items, please refer to pages 124/125.

\*Strap eye not slotted.

You might also be interested in the following products:  
 GPN 920 Type A, GPN 920 Type B, GPN 930 Type B

**Free test samples:**  
MK Slovenia (+386) 04 510 53 60  
MK Croatia (+385) 051 213 060  
MK Serbia (+381) 011 25 21 756



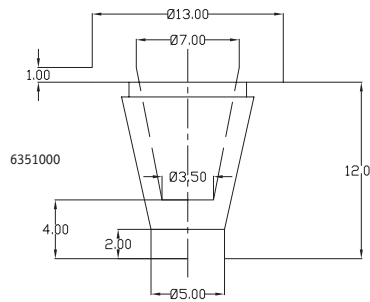
**Blanking Plugs**

SR F-0006  
EBA

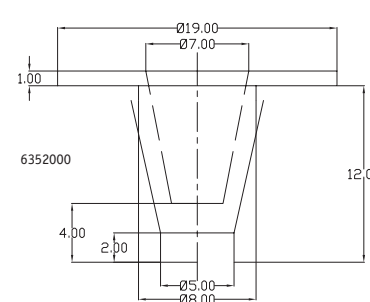
- Protection plugs for covering holes in metal sheets
- Suitable in application where body plugs are required to protect against sharp edges
- Temperature: Min -30°C, Max +50°C



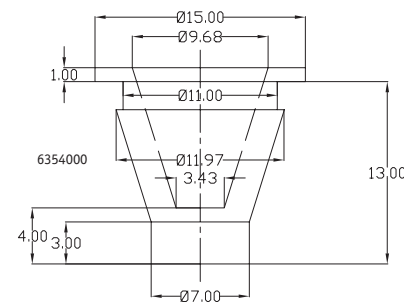
Part Number	Standard Pack Quantity
6351000	1000



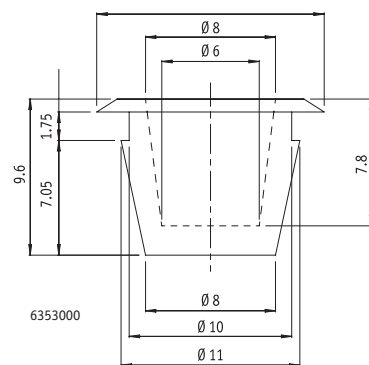
Part Number	Standard Pack Quantity
6352000	1000



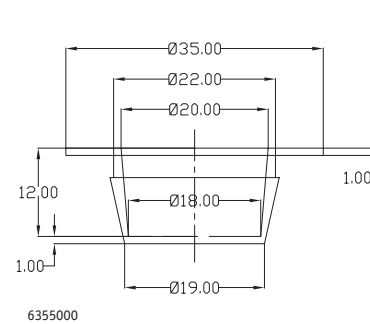
Part Number	Standard Pack Quantity
6354000	1000



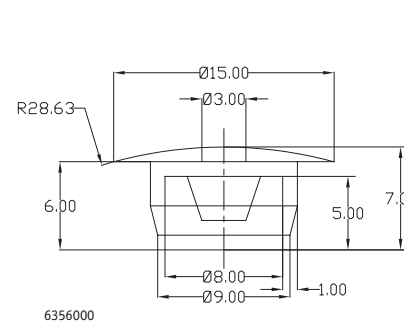
Part Number	Standard Pack Quantity
6353000	1000



Part Number	Standard Pack Quantity
6355000	1000

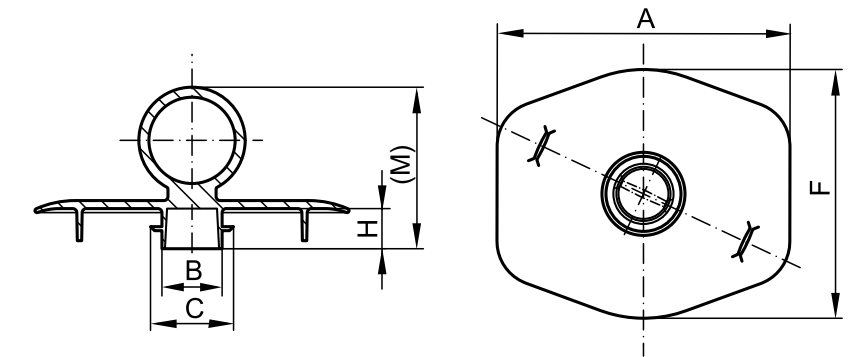


Part Number	Standard Pack Quantity
6356000	1000



FLANGE COVERS  
**GPN 640**

**Free test samples:**  
MK Slovenia (+386) 04 510 53 60  
MK Croatia (+385) 051 213 060  
MK Serbia (+381) 011 25 21 756



**Standard colour:** Yellow  
**Material:** PE-LD

- DIN ISO** Better fit. Protection for SAE flanges.
- 🕒** Saves time. With ring lug for easy handling.
- ±** More versatile. Larger tolerances accommodated by ribs.
- i** Better. With clamping ribs and positioning bars for reliable fit.

item	Suitable for external High pressure flange size	Dimensions						Order no.
		A	F	B	C	H	(M)	
GPN 640 HD 1/2	1/2	58	50	8.5	14.3	10	40.3	640 3586 0000
GPN 640 HD 3/4	3/4	73	62	15	20.7	10	40.3	640 3587 0000
GPN 640 HD 1	1	83	72	20	27	10	40.3	640 3178 0000
GPN 640 HD 1 1/4	1 1/4	98	81	26.5	33.5	10	40.3	640 3588 0000

Size in mm

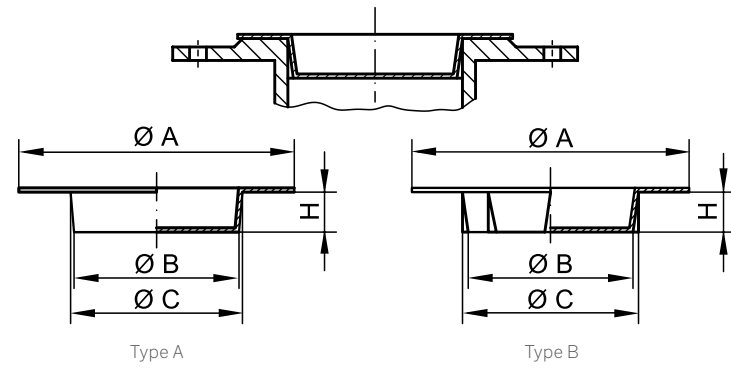
For information regarding materials, colours, drawings and the use of our items, please refer to pages 124/125.

You might also be interested in the following product: GPN 690

FLANGE COVERS

# GPN 650 Type A

**Free test samples:**  
MK Slovenia (+386) 04 510 53 60  
MK Croatia (+385) 051 213 060  
MK Serbia (+381) 011 25 21 756



**Type A** (shaft without ribs)

item	Suitable for external	Dimensions				Order no.
	Nominal width	A	B	C	H	
GPN 650 / 15	15	45	14	16.8	10	650 0015 0000
GPN 650 / 20	20	58	19	22.8	15	650 0020 0000
GPN 650 / 25	25	68	23	27	15	650 0025 0000
GPN 650 / 32	32	78	30	34	14.8	650 0032 0000
GPN 650 / 40	40	88	38	42	15	650 0040 0000
GPN 650 / 50	50	102	48	52	15	650 0050 0000
GPN 650 / 65	65	122	62	67.8	20	650 0065 0000
GPN 650 / 70	70	128	67	73.4	20	650 0070 0000
GPN 650 / 80	80	138	77	82.8	20	650 0080 0000
GPN 650 / 100	100	162	97	103.3	20	650 0100 0000
GPN 650 / 125	125	205	122	127.6	20	650 0125 0000
GPN 650 / 140	140	220	137	143.8	20	650 0140 0000
GPN 650 / 150	150	245	147	152.8	20	650 0150 0000
GPN 650 / 200	200	300	197	202	18	650 0200 0000
GPN 650 / 250	250	395	248	252	18	650 0250 0000

**Standard colour:** Yellow  
**Material:** PE-LD, PE-LLD (from GPN 650 / 200)

Size in mm

For information regarding materials, colours, drawings and the use of our items, please refer to pages 124/125.

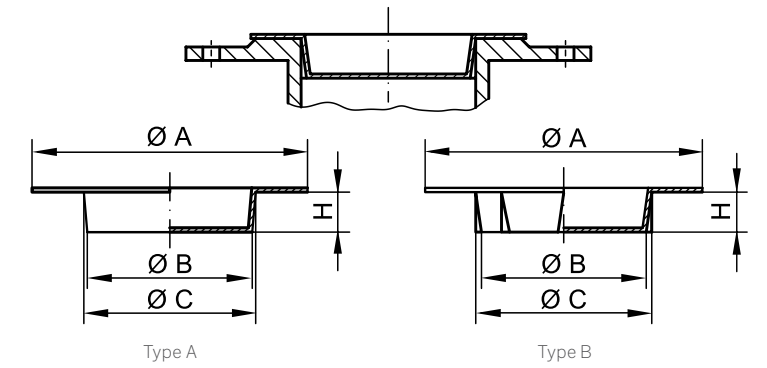
**You might also be interested in the following products:** GPN 655, GPN 670, GPN 680

- Better fit.** Protection for flanges in accordance with DIN EN 1092-1 and DIN EN 28117.
- More versatile.** Design B with additional clamping ribs for accommodating larger tolerances.
- Better.** Closes the opening and protects the sealing face of the flange fitting.

FLANGE COVERS

# GPN 650 Type B

**Free test samples:**  
MK Slovenia (+386) 04 510 53 60  
MK Croatia (+385) 051 213 060  
MK Serbia (+381) 011 25 21 756



**Type B** (shaft with ribs)

item	Suitable for external	Dimensions				Order no.
	Nominal width	A	B	C	H	
GPN 650 / 10-R	10	40	7.5	10.5	10	651 0010 0000
GPN 650 / 15-R	15	45	12.5	15.8	10	651 0015 0000
GPN 650 / 20-R	20	59	16	22	15	651 0020 0000
GPN 650 / 25-R	25	68	21	26	15	651 0025 0000
GPN 650 / 32-R	32	78	28	33.5	15	651 0032 0000
GPN 650 / 40-R	40	88	36	41.5	15	651 0040 0000
GPN 650 / 50-R	50	102	46	51	15	651 0050 0000
GPN 650 / 65-R	65	122	60	66	20	651 0065 0000
GPN 650 / 80-R	80	138	74.5	81	20	651 0080 0000
GPN 650 / 100-R	100	162	93	102	20	651 0100 0000
GPN 650 / 125-R	125	205	118	127	20	651 0125 0000
GPN 650 / 150-R	150	245	140	152	20	651 0150 0000

Size in mm

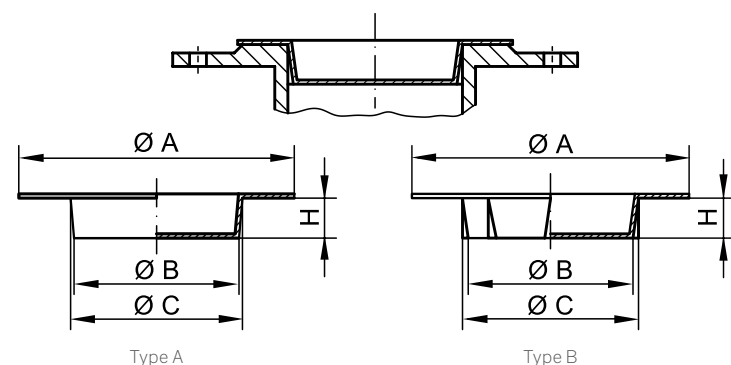
For information regarding materials, colours, drawings and the use of our items, please refer to pages 124/125.

**You might also be interested in the following products:** GPN 655, GPN 670, GPN 680

- Better fit.** Protection for flanges in accordance with DIN EN 1092-1 and DIN EN 28117.
- More versatile.** Design B with additional clamping ribs for accommodating larger tolerances.
- Better.** Closes the opening and protects the sealing face of the flange fitting.

FLANGE COVERS

# GPN 655



Type A

Type B

**Type A** (shaft without ribs)

item	Suitable for external		Dimensions				Order no.
	Nominal width		A	B	C	H	
GPN 655 / 200	200		270	208	210	18	655 0200 0000
GPN 655 / 250	250		375	255	261	20.5	655 0250 0000
GPN 655 / 300	300		375	308	313	22	655 0300 0000
GPN 655 / 350	350		440	341	346	22.5	655 0350 0000
GPN 655 / 400	400		490	398	408	30	655 0400 0000

**Type B** (shaft with ribs)

item	Suitable for external		Dimensions				Order no.
	Nominal width		A	B	C	H	
GPN 655 / 15-R	15		75	16.7	17.8	10	655 0015 0000
GPN 655 / 25-R	25		100	27.3	28.8	15	655 0025 0000
GPN 655 / 32-R	32		110	36.5	38.5	15	655 0032 0000
GPN 655 / 40-R	40		125	42	44.4	15	655 0040 0000
GPN 655 / 50-R	50		135	55	56.5	15	655 0050 0000
GPN 655 / 65-R	65		122	68	71	20	655 0065 0000
GPN 655 / 80-R	80		138	81	83.1	20	655 0080 0000
GPN 655 / 100-R	100		190	106	108.5	20	655 0100 0000
GPN 655 / 125-R	125		225	131.5	134	20	655 0125 0000
GPN 655 / 150-R	150		270	160	161.5	20	655 0150 0000

Size in mm

For information regarding materials, colours, drawings and the use of our items, please refer to pages 124/125.

You might also be interested in the following products: **GPN 650, GPN 670, GPN 680**

**Free test samples:**  
MK Slovenia (+386) 04 510 53 60  
MK Croatia (+385) 051 213 060  
MK Serbia (+381) 011 25 21 756



**Standard colour:** Yellow

**Material:** PE-LLD (type A), PE-LD (type B)

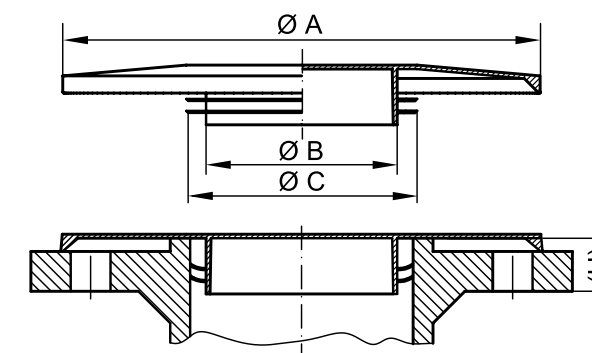
**DIN ISO Better fit.**  
Protection for flanges in accordance with ANSI/ASME B 16.5.

**± More versatile.**  
Design B with additional clamping ribs for accommodating larger tolerances.

**i Better.**  
Closes the opening and protects the sealing face of the flange fitting.

FLANGE COVERS

# GPN 670



**Standard colour:** Yellow

**Material:** PE-LLD/PE-HD

**DIN ISO Better fit.**  
Protection for flanges acc. to DIN EN 12351. Suitable for PN 10 through PN 400 and DN 10 through DN 250 acc. to DIN 2501 part 1, ANSI/ASME B 16.5, BS 4504 and BS 1560. Also suitable for BASF Company Standard 14-150.

**± More versatile.**  
Larger tolerances accommodated by ribs.

**i Better.**  
Closes the opening and covers sealing face and internal threads. Prevents accidental dislodging. Also suitable for BASF-Werknorm 14-150.

**Free test samples:**  
MK Slovenia (+386) 04 510 53 60  
MK Croatia (+385) 051 213 060  
MK Serbia (+381) 011 25 21 756



item	Dimensions				Order no.
	A	B	C	(H)	
GPN 670 DN 10	86	7	14	14	670 0010 0000
GPN 670 DN 15	90	10	19	14	670 0015 0000
GPN 670 DN 20	100	14	24	14	670 0020 0000
GPN 670 DN 25	110	19	30	19	670 0025 0000
GPN 670 DN 32	136	25	39	19	670 0032 0000
GPN 670 DN 40	146	30	45	19	670 0040 0000
GPN 670 DN 50	160	40	56	19	670 0050 0000
GPN 670 DN 65	180	53	72	19	670 0065 0000
GPN 670 DN 80	196	65	85	24	670 0080 0000
GPN 670 DN 100	216	87	109	24	670 0100 0000
GPN 670 DN 125	246	106	134	24	670 0125 0000
GPN 670 DN 150	280	135	161	34	670 0150 0000
GPN 670 DN 200	345	185	209	34	670 0200 0000
GPN 670 DN 250	400	238	262	34	670 0250 0000

Size in mm

For information regarding materials, colours, drawings and the use of our items, please refer to pages 124/125.

## Application Guide

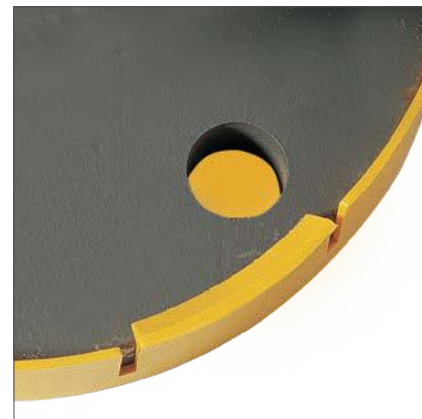
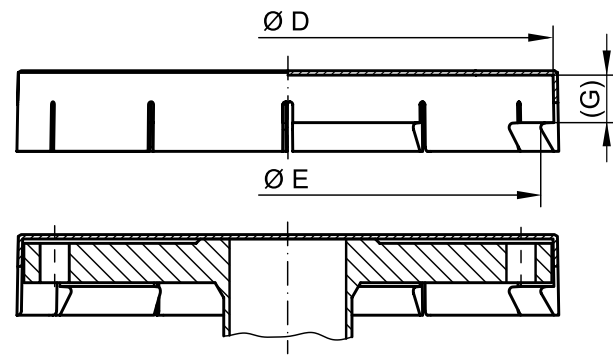
Suitable for external	DIN 2627/28/29/38/BS 4504								ANSI B 16.5/BS 1560					item	
	PN 10-16	PN 25-40	PN 64	PN 100	PN 160	PN 250	PN 320	PN 400	Cl. 300	Cl. 400	Cl. 600	Cl. 900	Cl. 1500		Cl. 2500
Nominal width															
10	3/8	*	*	*	*	*	*	*							GPN 670 DN 10
15	1/2	*	*	*	*	*	*	*							GPN 670 DN 15
20	3/4	*	*	*	*	*	*	*							GPN 670 DN 20
25	1	*	*	*	*	*	*	*							GPN 670 DN 25
32	1 1/4	*	*	*	*	*	*	*							GPN 670 DN 32
40	1 1/2	*	*	*	*	*	*	*							GPN 670 DN 40
50	2	*	*	*	*	*	*	*							GPN 670 DN 50
65	2 1/2	*	*	*	*	*	*	*							GPN 670 DN 65
80	3	*	*	*	*	*	*	*							GPN 670 DN 80
100	4	*	*	*	*	*	*	*							GPN 670 DN 100
125	5	*	*	*	*	*	*	*							GPN 670 DN 125
150	6	*	*	*	*	*	*	*							GPN 670 DN 150
200	8	*	*	*	*	*	*	*							GPN 670 DN 200
250	10	*	*	*	*	*	*	*							GPN 670 DN 250

This application table is a guide only. We will be happy to send you free samples for testing. For apertures and bore holes without thread, please use dimensions B and C.

You might also be interested in the following products: **GPN 650, GPN 655, GPN 680**

## FLANGE COVERS

# GPN 680



**Standard colour:** Yellow  
**Material:** PE-LD

**Better fit.**

Protection for flanges in accordance with DIN EN 12351.

**Better.**

Particularly suitable for fittings with solid lining or tapered bore holes. With hook-snaps for firm fit.

item	Suitable for external	Nominal pressure	Dimensions			Order no.
	Nominal width	PN	D	E	(G)	
GPN 680 DN 10	10	10; 16; 25; 40	90	81	17	680 0010 0000
GPN 680 DN 15	15	10; 16; 25; 40	95	86	17	680 0015 0000
GPN 680 DN 20	20	10; 16; 25; 40	105	96	19	680 0020 0000
GPN 680 DN 25	25	10; 16; 25; 40	115	106	19	680 0025 0000
GPN 680 DN 32	32	10; 16; 25; 40	140	131	19	680 0032 0000
GPN 680 DN 40	40	10; 16; 25; 40	150	141	19	680 0040 0000
GPN 680 DN 50	50	10; 16; 25; 40	165	156	21	680 0050 0000
GPN 680 DN 65	65	10; 16; 25; 40	185	176	22	680 0065 0000
GPN 680 DN 80	80	10; 16; 25; 40	200	191	24	680 0080 0000
GPN 680 DN 100	100	10; 16	220	211	24	680 0100 0000
GPN 680 DN 125	125	10; 16	250	241	25	680 0125 0000
GPN 680 DN 150	150	10; 16	285	276	25	680 0150 0000
GPN 680 DN 200	200	10; 16	340	331	27	680 0200 0000

Size in mm

For information regarding materials, colours, drawings and the use of our items, please refer to pages 124/125.

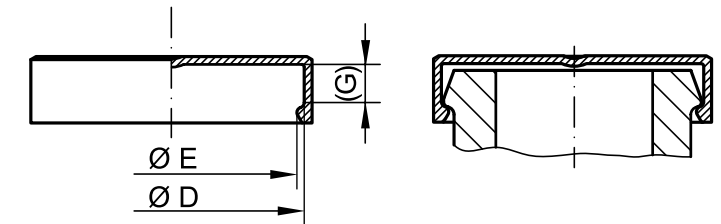
You might also be interested in the following products: GPN 650, GPN 655, GPN 670

**Free test samples:**  
 MK Slovenia (+386) 04 510 53 60  
 MK Croatia (+385) 051 213 060  
 MK Serbia (+381) 011 25 21 756



## PROTECTIVE CAPS

# GPN 690



**Standard colour:** Yellow  
**Material:** PE-LD; PE-LLD (from GPN 690/6006)

**Better fit.**

Protection for SAE flange collars.

**Better.**

Also suitable for pipe ends and hose-fittings. A circumferential rim ensures firm fit and easy handling.

**Free test samples:**  
 MK Slovenia (+386) 04 510 53 60  
 MK Croatia (+385) 051 213 060  
 MK Serbia (+381) 011 25 21 756



item	Dimensions			Order no.
	D	E	(G)	
GPN 690 / 3001	30.2	29.4	6.9	690 3001 0000
GPN 690 / 6001	31.7	30.9	7.9	690 6001 0000
GPN 690 / 3002	38.1	37.3	6.9	690 3002 0000
GPN 690 / 6002	41.3	40.5	8.9	690 6002 0000
GPN 690 / 3003	44.4	43.6	8.1	690 3003 0000
GPN 690 / 6003	47.4	46.4	9.5	690 6003 0000
GPN 690 / 3004	50.8	50	8.1	690 3004 0000
GPN 690 / 6004	54	53.2	10.4	690 6004 0000
GPN 690 / 3005	60.3	59.5	8.1	690 3005 0000
GPN 690 / 6005	63.5	62.5	12.7	690 6005 0000
GPN 690 / 3006	71.4	70.6	9.7	690 3006 0000
GPN 690 / 6006	79.4	78.6	12.7	690 6006 0000
GPN 690 / 0090	90.3	88.3	9	690 0090 0000
GPN 690 / 0106	106	104	10	690 0106 0000
GPN 690 / 0125	125	123	11	690 0125 0000
GPN 690 / 0150	150	148	12	690 0150 0000
GPN 690 / 0213	213	211	16	690 0213 0000

Size in mm

For information regarding materials, colours, drawings and the use of our items, please refer to pages 124/125.

## Guide for the application with SAE flanges

Pressure level 3000 PSI (210 bar) Nominal width		item	Pressure level 6000 PSI (420 bar) Nominal width		item
12	1/2	GPN 690 / 3001	12	1/2	GPN 690 / 6001
20	3/4	GPN 690 / 3002	20	3/4	GPN 690 / 6002
25	1	GPN 690 / 3003	25	1	GPN 690 / 6003
32	1 1/4	GPN 690 / 3004	32	1 1/4	GPN 690 / 6004
40	1 1/2	GPN 690 / 3005	40	1 1/2	GPN 690 / 6005
50	2	GPN 690 / 3006	50	2	GPN 690 / 6006

This application table is a guide only. We would be happy to send you free samples for testing.

The adjacent versions have been specially developed to cover SAE flanges. Pressure ratings: 3000 PSI and 6000 PSI.

You might also be interested in the following product: GPN 640

# Materials and Applications

**Free test samples:**  
 MK Slovenia (+386) 04 510 53 60  
 MK Croatia (+385) 051 213 060  
 MK Serbia (+381) 011 25 21 756

## Material Characteristics\*

Type of plastic	Designation	Hardness
PE-LD	Polyethylene, Low Density	soft / elastic
PE-HD	Polyethylene, High Density	hard / elastic
PE-LLD	Polyethylene, Linear Low Density	soft / elastic
EVA	Ethylene-vinyl acetate	very soft / elastic
PHT	Thermoplastic polyester elastomer	soft / elastic
TPE	Thermoplastic polyolefin elastomer	extremely soft / elastic
SI	Silicone	extremely soft / elastic
PP	Polypropylene	hard / tough
PA 6	Polyamide 6	hard / tough
PA 6 GF 30	Polyamide 6 glass fibre reinforced	hard
PA 6.6	Polyamide 6.6	hard / tough
PA 6.6 GF 35	Polyamide 6.6 glass fibre reinforced	very hard
PCR-PE	Post consumer recycle, Polyethylene	soft / elastic
PET (Thermoforming grade)	Polyethylene terephthalate	hard / tough
PS (Thermoforming grade)	Polystyrene	hard / stiff

KAPSTO® plastic protective solutions are primarily made from Polyethylene (PE-LD, PE-HD) and polypropylene (PP). These are hydrocarbon compounds. They are recyclable, ground water neutral, and suitable for thermal use. For details, please see the product descriptions in this catalogue. Other materials are available for special mechanical, thermal, or chemical loads. We will be happy to advise you.

## Chemical Resistance\*

Type of plastic	Chemical Resistance							
	Weak acids	Weak alkalis	Alcohol	Solvents	Fuels	Mineral oils	Grease/oils	Water, hot
PE-LD	●	●	●	■	■	■	●	●
PE-HD	●	●	●	■	■	●	●	●
PE-LLD	●	●	●	■	■	■	●	●
EVA	■	■	●	■	■	●	●	●
PHT	■	■	●	■	●	●	●	■
TPE	●	●	●	■	■	■	■	●
SI	■	■	●	■	■	■	■	■
PP	●	●	●	■	■	●	●	●
PA 6	■	●	●	●	●	●	●	■
PA 6 GF 30	■	●	●	●	●	●	●	■
PA 6.6	●	●	●	●	●	●	●	■
PA 6.6 GF 35	■	●	●	●	●	●	●	■
PCR-PE	●	●	●	■	■	■	●	●
PET (Thermoforming grade)	■	■	●	■	●	●	●	■
PS (Thermoforming grade)	■	●	●	■	■	■	●	●

● Resistant ■ Conditionally resistant

**Free test samples:**  
 MK Slovenia (+386) 04 510 53 60  
 MK Croatia (+385) 051 213 060  
 MK Serbia (+381) 011 25 21 756

## Special Colours\*

Colour	Note	Designation
Sulphur yellow	Signal colour	RAL 1016
Pure orange	Signal colour	RAL 2004
Fire red	Signal colour	RAL 3000
Light blue		RAL 5012
Emerald green	Signal colour	RAL 6001
Squirrel grey		RAL 7000
Blue grey		RAL 7031
Fawn brown		RAL 8007
Pure white		RAL 9010
Jet black		RAL 9005
Recycling blue		

We manufacture our range of serial KAPSTO® plastic protective solutions in the specific standard colour listed in the respective product descriptions within this catalogue. Custom-made products can also be made in a range of other colours at an additional cost. There may be colour deviations for technical reasons. Deviations attributable to colour pigments or to the plastic raw materials are unavoidable. Please contact us if your desired colour is not listed.

## Physical properties\*

Type of plastic	Temperature resistance			Light transmittance			Dimensional tolerance	
	Short-time	Continuous	Continuous	Clear	Transparent	Opaque	DIN 16901 or DIN 16742	DIN ISO 3302-1 or DIN 16742
PE-LD	80 °C	60 °C	-40 °C	●	●	●	●	
PE-HD	100 °C	80 °C	-40 °C	●	●	●	●	
PE-LLD	90 °C	70 °C	-40 °C	●	●	●	●	
EVA	60 °C	40 °C	-40 °C		●	●	●	
PHT	180 °C	120 °C	-40 °C			●	●	
TPE	150 °C	120 °C	-50 °C			●		●
SI	250 °C	170 °C	-50 °C		●			●
PP	130 °C	100 °C	-20 °C			●	●	
PA 6	150 °C	90 °C	-20 °C			●	●	
PA 6 GF 30	200 °C	110 °C	-20 °C			●	●	
PA 6.6	170 °C	90 °C	-20 °C			●	●	
PA 6.6 GF 35	220 °C	110 °C	-20 °C			●	●	
PCR-PE	80 °C	60 °C	-40 °C				●	
PET (Thermoforming grade)	60 °C	40 °C	-20 °C		●			
PS (Thermoforming grade)	80 °C	50 °C	-10 °C		●			

Dimensions in brackets represent technical reference dimensions and are not subject to general tolerance.

### \*Note:

KAPSTO® plastic protective solutions protect your component from damage and soiling during transport, storage and production process. The illustrated applications are examples for intended use.

The specific application of the KAPSTO® protective solutions is at the discretion of the customer. Due to a large number of possible influences during processing, use and application of our products, we recommend that the customer determines the suitability for his own intended purpose by performing tests and experiments. **We will be pleased to send you free samples for your tests.**

The product and material information included in this catalogue are based on generally available information provided, for instance, by the raw material suppliers. This information does not take into account the different effects on our product that may occur under the actual use intended by the customer. The information provided does not constitute any promise of quality or durability, guaranteed properties or quality agreements. The purchaser or user is not exempt from the duty of carrying out his own tests and trials to ensure that the product is suitable for the specific use intended by him. Occasional small black dots are possible due to the production process and correspond to the state of the art.

We reserve the right to perform modifications due to errors without prior notification. Illustrations are representative.

© Copyright 01/2018 – All content, especially the texts, pictures, photographs and graphics are protected by copyright. All rights, including duplication, publication, editing and translation, remain reserved. Duplication – even in extract form – or the grant of access to such material to the public on online media requires our prior permission.