

# Fastening Technology



# DST

## SIMPLE. SECURE. DIRAK-SNAP- TECHNOLOGY.

In a world full of connections, we deliver pioneering technology. With DIRAK-SNAP-Technology (DST), you can create high-strength connections easily and without tools – so that your idea can safely become great.

To discover unlimited possibilities, try a new approach easily and at any time with DIRAK-SNAP-Technology. Now you too can use the best solution for your applications and experience the special features of this trendsetting technology – discover what is possible.

High strength with  
secure locking

Tool-less  
installation in just  
seconds – reliable  
and convenient  
disassembly

Connect materials  
with different  
thicknesses

Rattle, vibration and  
seismic-proof

Reliable and error-  
free installation –  
even in places that  
are hard to reach

Secure and  
electrically  
conductive

### Cannot be lost.

The DST fastener is captive so it cannot be lost, thus meeting the requirements of the Machinery Directive 2006/42EC.

Page 735



### Installation in just seconds at Haromac thanks to DST.

Oliver Lück, Managing Director of the HAROMAC tool factory: "The workbenches presented a new challenge for us. They had to provide good load-bearing capacity and be easy to assemble without any screws and with just a few tools. The DST fasteners meet our standards for fast assembly with no screws and good load-bearing capacity, and they are especially well suited for our workbenches."

Page 737

Fastener for  
applications  
requiring electrical  
conductivity.



Page 747

If you do use screws,  
try this way.

Potential equalization with a screw: With the new countersunk grounding screw, a segment cutting edge and scraping tooth can be used to create electrical connections between two metal sheets even without any additional small parts.

Page 752

### Offers potential.

The DIRAK grounding cage nut has been successfully tested to DIN EN 61439-1 (VDE 0660 part 600):2012:06 and offers a reliable electrically conductive connection at all times.



# Fastening Technology

## Fastener

Page: 726–745

Seismic-proof . . . . .	726, 728–730, 734–735, 739
Vibration-proof . . . . .	726, 728–730, 734–735, 739
Machinery directive . . . . .	728–730, 734–736
Conductive . . . . .	739

## Cage nuts























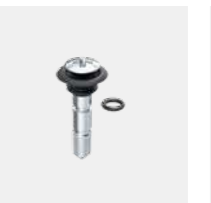


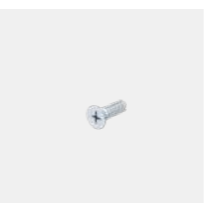


Page: 746–750

Seismic-proof . . . . .	746, 748, 750
Vibration-proof . . . . .	746, 748, 750
Front mounted . . . . .	746–747, 750
Conductive . . . . .	747

## Screws

Page: 748–748

IP protected . . . . .	751
Blind assembly . . . . .	757
Anti-twist . . . . .	756
Under-head teeth . . . . .	754
Conductive . . . . .	752

 726 PA Fastener □9.5 and □12.7 [1-020]	 727 DST Fastener □9.7 [1-041.01DST]	 728 DST Captive Flex-Fastener □9.5 [1-034DST]	 729 DST Captive Flex-Fastener □9.5 [1-034.01DST]	 730 DST Captive Fastener □9.5 [1-035DST]	 731 DST Fastener □9.5 [1-041.03DST]
 732 DST Fastener □9.5 without Leaf Spring [1-041.04DST]	 733 DST Fastener □9.5 with Leaf Spring [1-041.05DST]	 734 DST Captive Fastener □9.5 [1-041.06DST]	 735 DST Captive Fastener □12.7 [1-041.02DST]	 736 DST Captive Fastener □18.7 [1-041.09DST]	 737 DST Fastener 8x15 [1-040DST]
 738 DST Fastener 30x10 [1-042DST]	 739 DST Fastener 30x14 [1-043DST]	 740 DST DUAL Fastener 30x10 [1-044DST]	 742 DST Fastener 30x10 Stainless Steel [7-913DST]	 743 DST Fastener 30x10 [1-046DST]	 744 DST DUAL Fastener 30x10 [1-045DST]
 746 Cage Nut □9.5 [6-045]	 747 Grounding Cage Nut □9.5 [6-046]	 748 Cage Nuts □9.5 [6-045.01]	 750 Cage Nuts [6-045.02]	 751 Screw Assembly for Terminal Box Cover [6-043]	 752 Grounding Counter-sunk Screw [6-044]
 754 Serrated Screws [6-040]	 755 Countersunk Screws and Hexagon Nuts [6-041]	 756 Tenon Blocks and Anti-twist Protection [4-248]	 757 Nut Plates [6-042]		



**Advantages**

- To clip-in for □9.5 or □12.7 cutout or with 10mm gap, e.g. aluminum profiles.
- Audible click ensures proper secure installation.
- Seismic-proof according to GR-63-CORE, Issue 4.
- Vibration-proof according to DIN EN 61373.
- The square base 9.2 and 12.5 prevents the joiner from turning within the installation cutout.

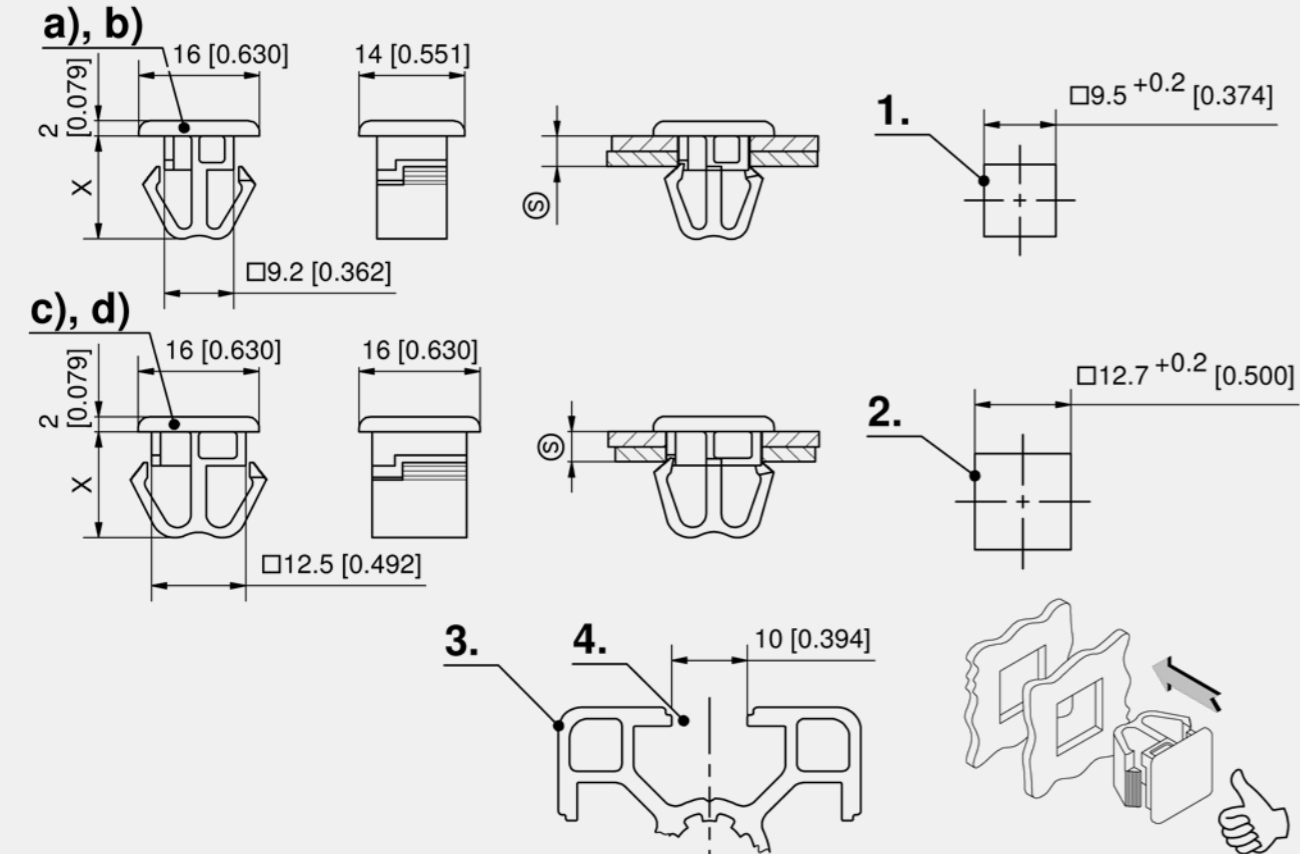
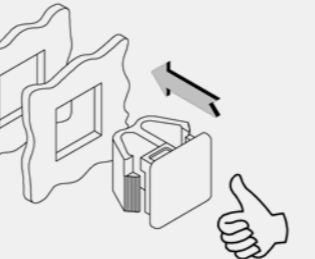
**Materials**

■ **Fastener:** PA, black

**Remarks**

The (S) dimension indicates the total thickness of the sheet metal panels.

1. cutout for a) and b)
2. cutout for c) and d)
3. aluminum profile fit for a) and b)
4. groove



Fastener

	Part Number	Clamping range (S)	Cutout	Dimension X	Installation type	Delivery Unit
a)	214-0109.51-00000	3.0 - 3.5 mm	9.5	12.6 mm	tool-less	250 pcs.
b)	214-0109.51-10000	4.0 - 4.5 mm	9.5	13.6 mm	tool-less	250 pcs.
c)	214-0109.51-20000	3.0 - 3.5 mm	12.7	13 mm	tool-less	250 pcs.
d)	214-0109.51-30000	4.0 - 4.5 mm	12.7	14 mm	tool-less	250 pcs.



all product details on DIRAK.com

1-020

**Advantages**

- With DIRAK-SNAP-Technology for joining flat metal sheets.
- For cutout □9.7.
- Vibration-proof.
- Tool-less installation.
- The joining of metal sheets is achieved by pressing the fastener into the cutouts.

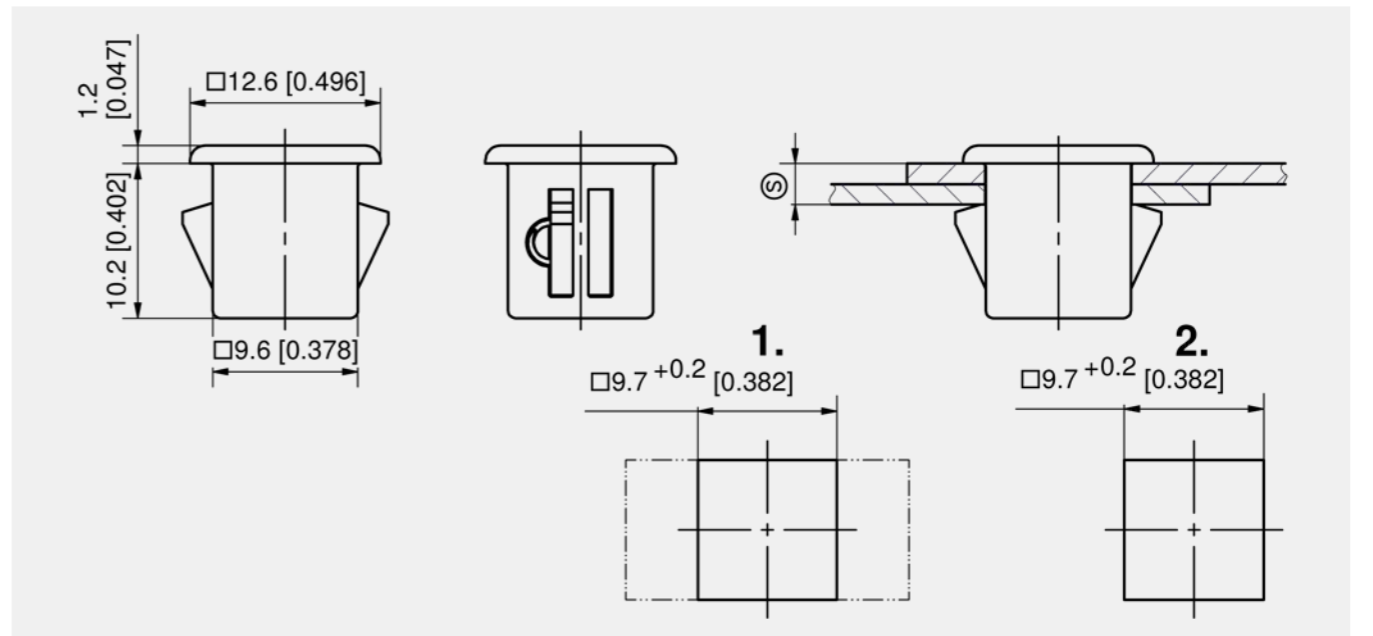
**Materials**

- **Housing:** zinc die, untreated
- **Snap wedges:** sintered steel, zinc plated

**Remarks**

The dimension (S) always means the thickness of both sheets together

1. cutout rear panel, also possible as oblong hole for tolerance adjustment.
2. cutout front panel



Fastener

Part Number	Clamping range (S)	Installation type	Delivery Unit
294-9104.00-02224	2.2 - 2.4 mm	tool-less	10 pcs.
294-9104.00-02527	2.5 - 2.7 mm	tool-less	10 pcs.
294-9104.00-02830	2.8 - 3.0 mm	tool-less	10 pcs.
294-9104.00-03133	3.1 - 3.3 mm	tool-less	10 pcs.



all product details on DIRAK.com

1-041.01DST



**Advantages**

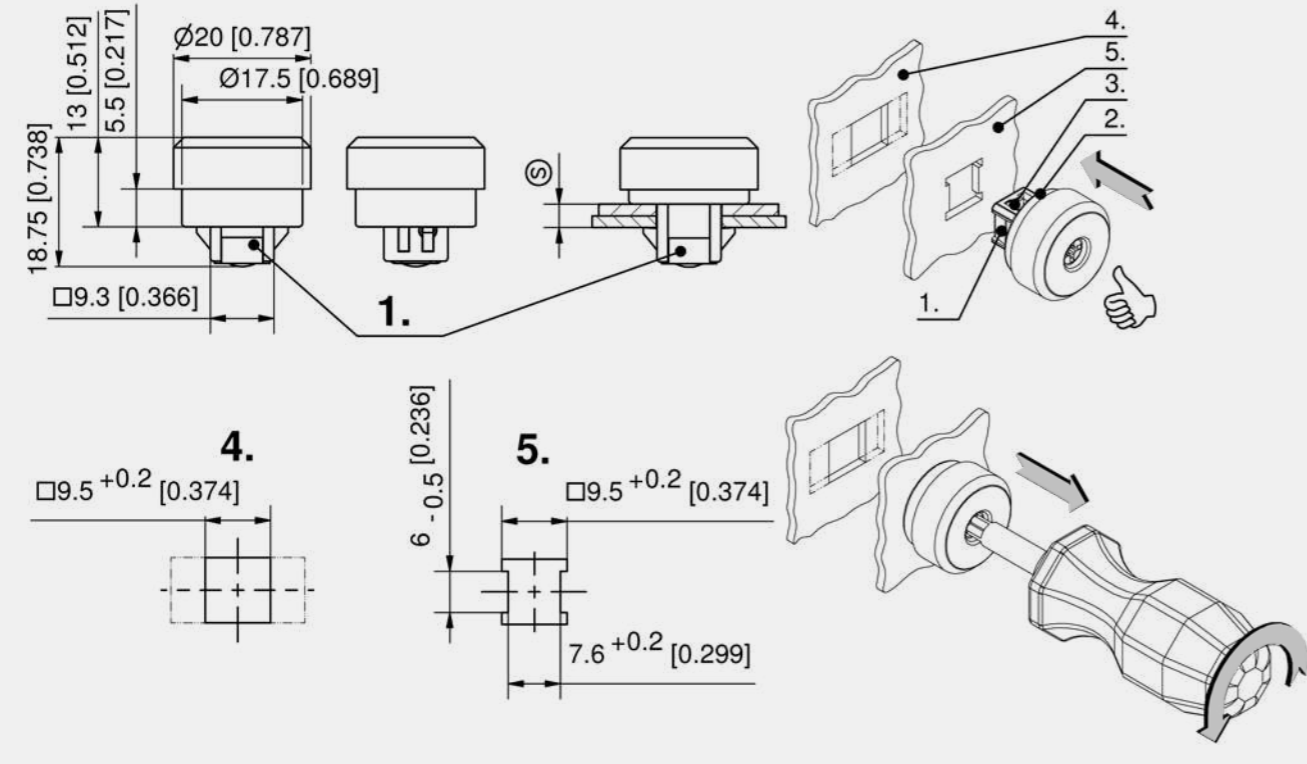
- With DIRAK-SNAP-Technology for joining of flat metal sheets and securely latching doors and covers.
- For cutout □ 9.5.
- Meets machinery directive 2006/42EC.
- After pre-assembly the concern of losing, dropping or misplacing hardware is eliminated.
- Held securely in the cutout.
- Seismic-proof according to GR-63-CORE, Issue 4.
- Vibration-proof according to DIN EN 61373.
- Operation by Phillips H2
- Opening by a 1/4 turn of the insert.
- Self-adjusting clamping range of 0.5 - 5.5mm.
- One-piece.

**Materials**

- **Housing and washer:** zinc die, chrome plated
- **Insert:** aluminum, hardened
- **Springs:** spring steel
- **SNAP wedges:** sintered steel, zinc plated

**Remarks**

**Removal:** by turning the screwdriver counterclockwise, the SNAP wedges (3.) are retracted. The compression spring (2.) pushes the Fastener out of the rear panel, but it remains captive in the front panel, held by the U-shaped spring (1.). (4.) Cutout in the rear panel can also be an oblong hole for tolerance adjustment. (5.) Cutout front panel. The (S) dimension indicates the total thickness of the sheet metal panels.



Fastener

Part Number	Clamping range (S)	Insert	Installation type	Delivery Unit
294-9302.00-00055	0.5 - 5.5 mm	Phillips H2	tool-less	10 pcs.



**Advantages**

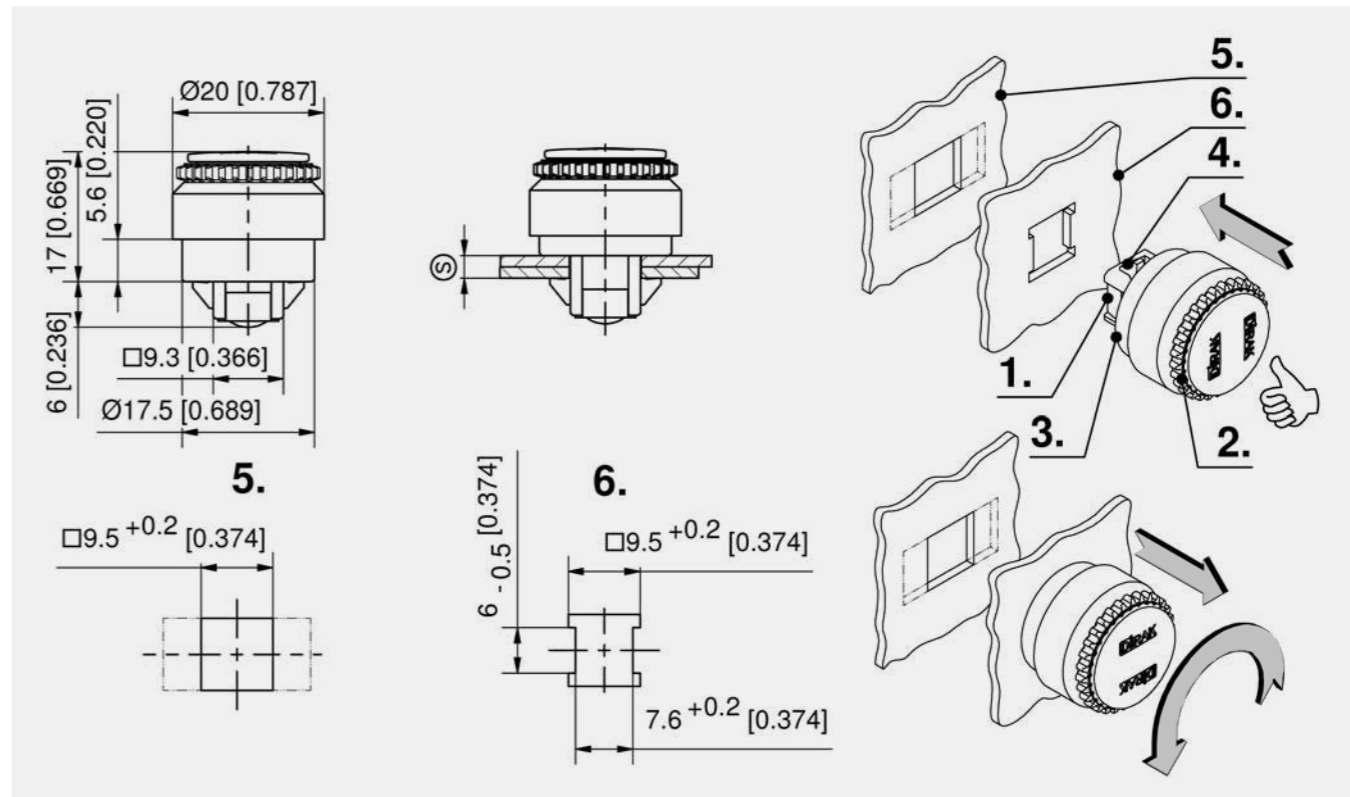
- With DIRAK-SNAP-Technology for joining of flat metal sheets and securely latching doors and covers.
- For cutout □ 9.5.
- Meets machinery directive 2006/42EC.
- After pre-assembly the concern of losing, dropping or misplacing hardware is eliminated.
- Held securely in the cutout.
- Seismic-proof according to GR-63-CORE, Issue 4.
- Vibration-proof according to DIN EN 61373.
- Opening by a 1/4 turn by means of handwheel with freestroke.
- Self-adjusting clamping range of 0.5 - 5.5mm.
- One-piece.

**Materials**

- **Housing and washer:** zinc die, chrome plated
- **Handwheel:** PA6, black
- **Springs:** spring steel
- **Snap wedges:** sintered steel, zinc plated

**Remarks**

**Removal:** by turning the Handwheel (2.) counterclockwise, the SNAP wedges (4.) are retracted. The leaf spring inside (3.) pushes the fastener out of the rear panel, however, the U-shaped (1.) spring holes the Fastener captive in the front panel (6.). (5.) Cutout in the rear panel can also be an oblong hole for tolerance adjustment. The (S) dimension indicates the total thickness of the sheet metal panels.



Fastener

Part Number	Insert	Clamping range (S)	Installation type	Delivery Unit
294-9303.00-00055	Handwheel	0.5 - 5.5 mm	tool-less	10 pcs.





**Advantages**

- With DIRAK-SNAP-Technology for joining of flat metal sheets and securely latching doors and covers.
- For cutout □ 9.5.
- Meets machinery directive 2006/42EC.
- After pre-assembly the concern of losing, dropping or misplacing hardware is eliminated.
- Held securely in the cutout.
- Seismic-proof according to GR-63-CORE, Issue 4.
- Vibration-proof according to DIN EN 61373.
- Operation by handwheel / Phillips H2 or Torx 15.
- Opening by a ¼ turn of the insert.
- One-piece.

**Materials**

- Housing:** zinc die, matt chrome plated or black
- Insert:** zinc die, zinc plated
- Springs:** spring steel
- Snap wedges:** sintered steel, zinc plated

**Remarks**

**Removal:** turning the screwdriver counterclockwise draws back the SNAP wedges (3.). The leaf spring (1.) pushes the fastener out of the rear panel, but it remains captive in the front panel, held by the U-shaped spring (2.). (4.) Cutout in the rear panel can also be an ablong hole for tolerance adjustment. (5.) Cutout front panel. The (S) dimension indicates the total thickness of the sheet metal panels.



**Advantages**

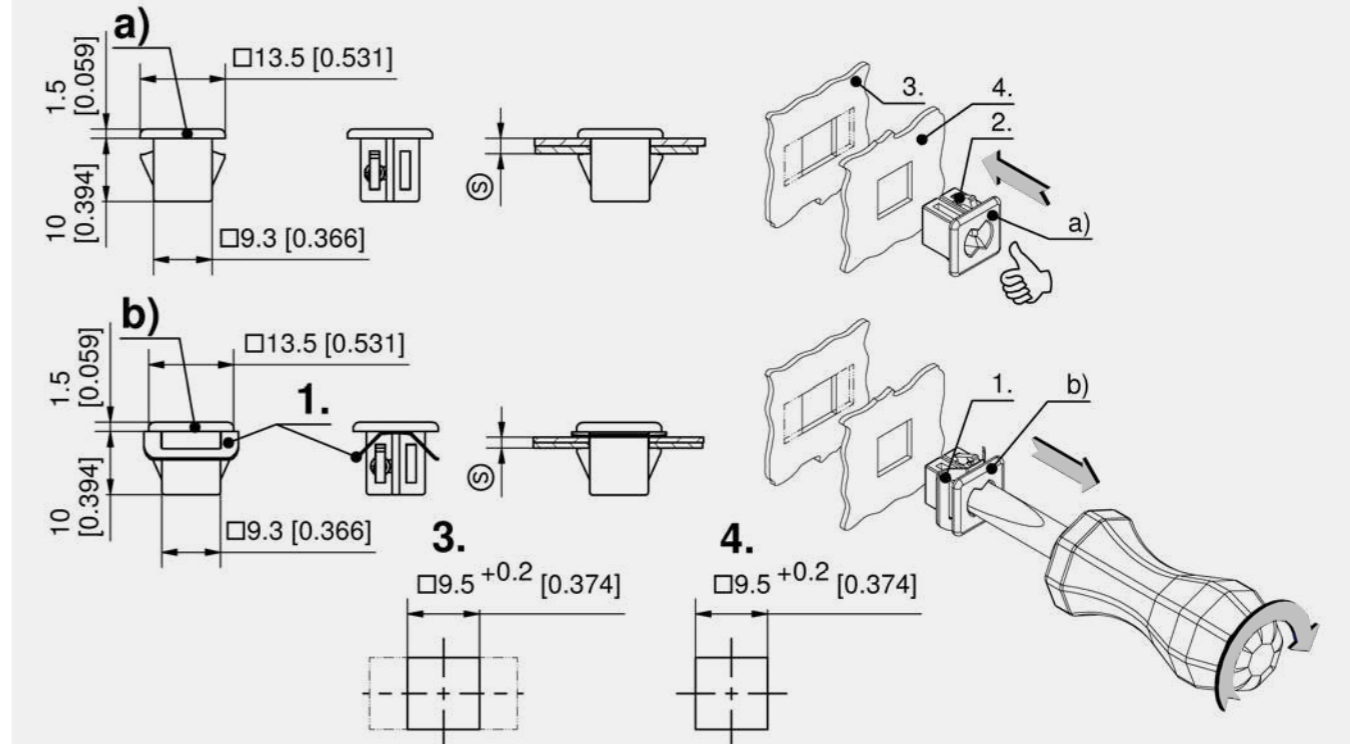
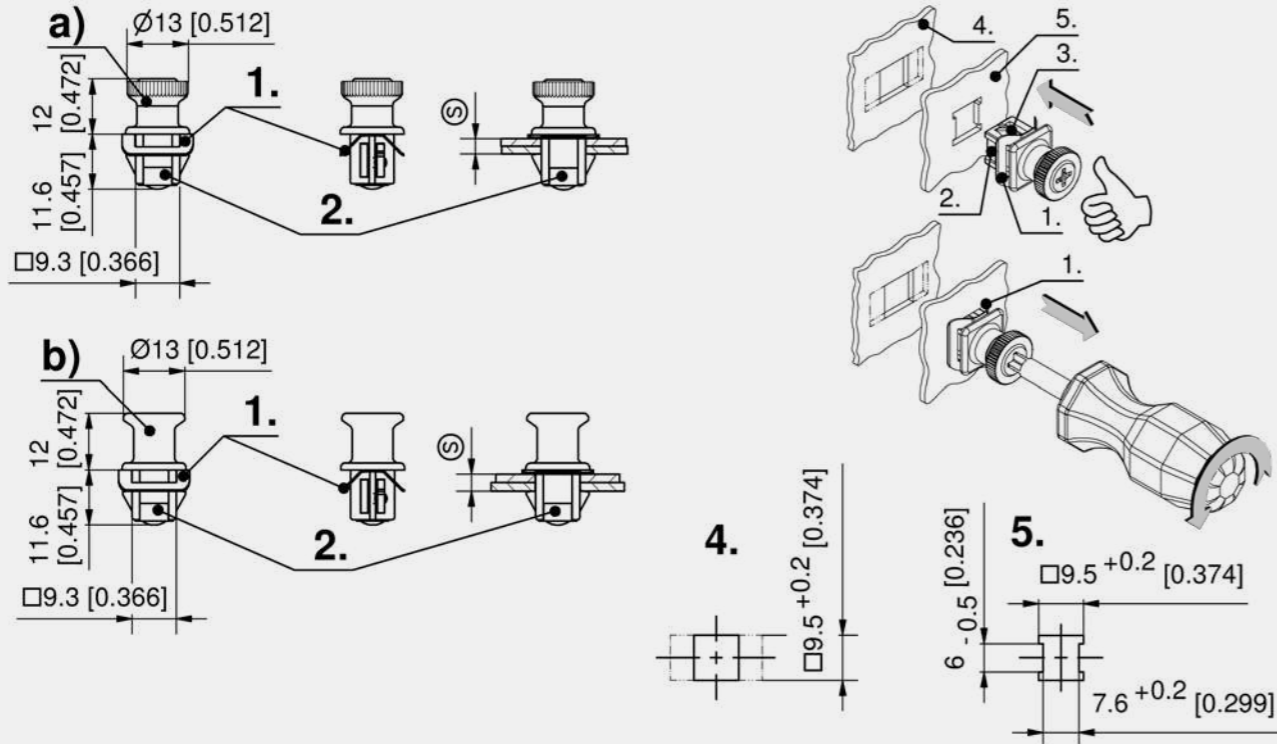
- With DIRAK-SNAP-Technology for joining of metal sheets.
- For cutout □ 9.5.
- Vibration-proof.
- Tool-less installation.
- This fastener can be disengaged from the front of the panel using a flathead screwdriver (Size max. 7x1mm, min. 6x1mm).
- The joining of metal sheets is achieved by pressing the fastener into the cutouts.

**Materials**

- Housing:** zinc die, untreated
- SNAP wedges:** sintered steel, zinc plated
- Leaf spring:** stainless steel

**Remarks**

**Removal:** by turning the screwdriver clockwise, the SNAP wedges (2.) are retracted. **a):** The fastener can be pressed manually from the back of the sheet. **b):** The leaf spring (1.) pushes the fastener out of the rear panel. (3.) Cutout in the rear panel can also be an ablong hole for tolerance adjustment. (4.) Cutout front panel. The (S) dimension indicates the total thickness of the sheet metal panels.



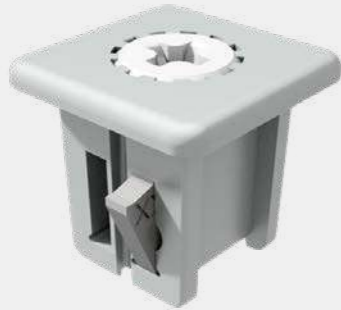
Fastener, zinc die

	Part Number	Surface	Clamping range (S)	Insert	Installation type	Delivery Unit
a)	294-9210.00-00017	chrome plated	1.5 - 2.0 mm	Turning knob/Phillips H2	tool-less	10 pcs.
a)	294-9210.00-00026	chrome plated	2.5 - 2.8 mm	Turning knob/Phillips H2	tool-less	10 pcs.
a)	294-9210.00-00034	chrome plated	3.3 - 3.6 mm	Turning knob/Phillips H2	tool-less	10 pcs.
a)	294-9210.00-00042	chrome plated	4.1 - 4.4 mm	Turning knob/Phillips H2	tool-less	10 pcs.
a)	294-9211.00-00017	black	1.5 - 2.0 mm	Turning knob/Phillips H2	tool-less	10 pcs.
a)	294-9211.00-00026	black	2.5 - 2.8 mm	Turning knob/Phillips H2	tool-less	10 pcs.
a)	294-9211.00-00034	black	3.3 - 3.6 mm	Turning knob/Phillips H2	tool-less	10 pcs.
a)	294-9211.00-00042	black	4.1 - 4.4 mm	Turning knob/Phillips H2	tool-less	10 pcs.
b)	294-9220.00-00138	black	3.7 - 4.0 mm	Torx insert	tool-less	10 pcs.

Fastener with slotted insert

	Part Number	Version	Clamping range (S)	Installation type	Delivery Unit
a)	294-9117.00-00022	without leaf spring	2.0 - 2.5 mm	tool-less	10 pcs.
a)	294-9117.00-00031	without leaf spring	3.0 - 3.3 mm	tool-less	10 pcs.
a)	294-9117.00-00035	without leaf spring	3.4 - 3.7 mm	tool-less	10 pcs.
a)	294-9117.00-00043	without leaf spring	4.2 - 4.5 mm	tool-less	10 pcs.
b)	294-9116.00-00017	with leaf spring	1.5 - 2.0 mm	tool-less	10 pcs.
b)	294-9116.00-00026	with leaf spring	2.5 - 2.8 mm	tool-less	10 pcs.
b)	294-9116.00-00030	with leaf spring	2.9 - 3.2 mm	tool-less	10 pcs.
b)	294-9116.00-00038	with leaf spring	3.7 - 4.0 mm	tool-less	10 pcs.





**Advantages**

- With DIRAK-SNAP-Technology for joining sheet metal panels.
- For cutout □ 9.5.
- Vibration-proof.
- Tool-less installation.
- This fastener can be disengaged from the front of the panel using a Phillips H2 screwdriver.
- Sheet metal panels are easily joined by manually pressing the fastener through the panel cutout.
- One piece.

**Materials**

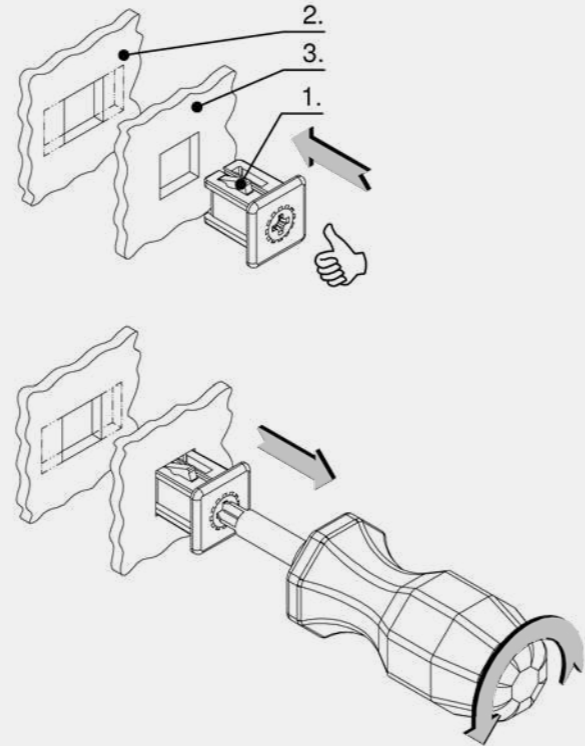
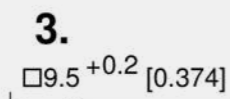
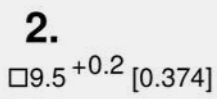
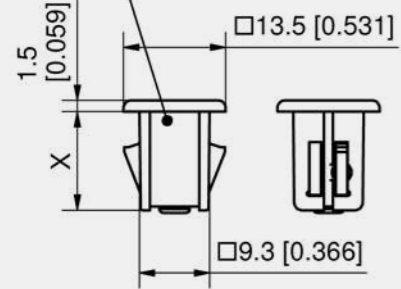
- **Housing:** zinc die, untreated
- **SNAP wedges:** sintered steel, zinc plated
- **Insert:** aluminum, hardened

**Remarks**

**Removal:** by turning the screwdriver counterclockwise, the SNAP wedges (1.) are retracted. The leaf spring pushes the fastener out of rear panel, however, the U-shaped spring holds the fastener captive in the front panel. (3.) Cutout in the rear panel can also be an oblong hole for tolerance adjustment. (2.) Cutout front panel. The (S) Dimension indicates the total thickness of the sheet metal panels.

**Delivery time on request!**

a), b)



Fastener with insert Phillips H2, without leaf spring

	Part Number	Clamping range (S)	Dimension X	Installation type	Delivery Unit
a)	294-9114.00-00031	3.0 - 3.3 mm	11 mm	tool-less	10 pcs.
a)	294-9114.00-00039	3.8 - 4.1 mm	11 mm	tool-less	10 pcs.
b)	294-9120.00-00042	4.0 - 4.5 mm	13 mm	tool-less	10 pcs.
b)	294-9120.00-00051	5.0 - 5.3 mm	13 mm	tool-less	10 pcs.
b)	294-9120.00-00055	5.4 - 5.7 mm	13 mm	tool-less	10 pcs.
b)	294-9120.00-00059	5.8 - 6.1 mm	13 mm	tool-less	10 pcs.
b)	294-9120.00-00067	6.6 - 6.9 mm	13 mm	tool-less	10 pcs.



**Advantages**

- With DIRAK-SNAP-Technology for joining sheet metal panels.
- For cutout □ 9.5.
- Vibration-proof.
- Tool-less installation.
- This fastener can be disengaged from the front of the panel using a Phillips H2 screwdriver.
- Sheet metal panels are easily joined by manually pressing the fastener through the panel cutout.
- One piece.

**Materials**

- **Housing:** zinc die, untreated
- **SNAP wedges:** sintered steel, zinc plated
- **Leaf spring:** stainless steel
- **Insert:** aluminum, hardened

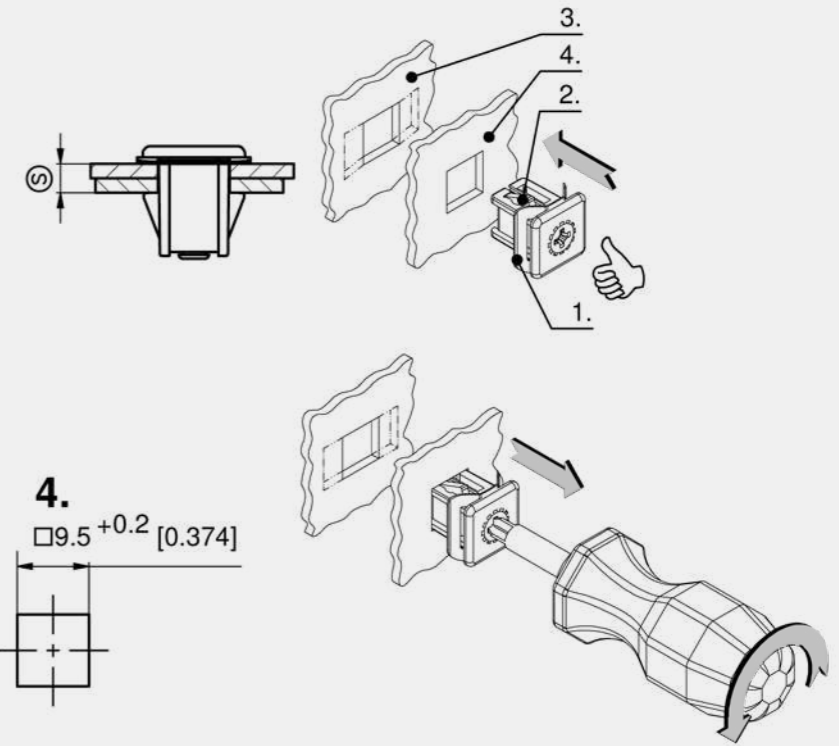
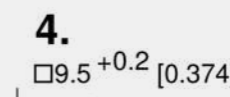
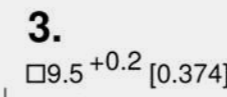
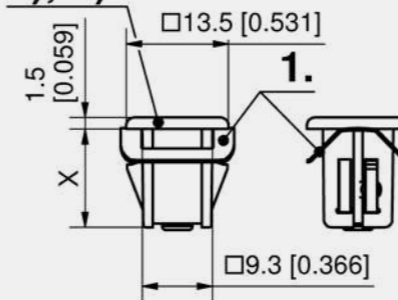
**Remarks**

1. leaf spring
2. SNAP wedges
3. cutout rear panel, also possible as oblong hole for tolerance adjustment.
4. cutout front panel

**Removal:** by turning the screwdriver counterclockwise, the SNAP wedges are retracted. The leaf spring pushes the fastener out of rear panel. The (S) dimension indicates the total thickness of the sheet metal panels.

**Delivery time on request!**

a), b)



Fastener with insert Phillips H2, with leaf spring

	Part Number	Clamping range (S)	Dimension X	Installation type	Delivery Unit
a)	294-9113.00-00017	1.5 - 2.0 mm	11 mm	tool-less	10 pcs.
a)	294-9113.00-00026	2.5 - 2.8 mm	11 mm	tool-less	10 pcs.
a)	294-9113.00-00030	2.9 - 3.2 mm	11 mm	tool-less	10 pcs.
a)	294-9113.00-00034	3.3 - 3.6 mm	11 mm	tool-less	10 pcs.
a)	294-9113.00-00042	4.1 - 4.4 mm	11 mm	tool-less	10 pcs.
b)	294-9119.00-00037	3.5 - 4.0 mm	13 mm	tool-less	10 pcs.
b)	294-9119.00-00046	4.5 - 4.8 mm	13 mm	tool-less	10 pcs.
b)	294-9119.00-00050	4.9 - 5.2 mm	13 mm	tool-less	10 pcs.
b)	294-9119.00-00054	5.3 - 5.6 mm	13 mm	tool-less	10 pcs.
b)	294-9119.00-00062	6.1 - 6.4 mm	13 mm	tool-less	10 pcs.





**Advantages**

- With DIRAK-SNAP-Technology for joining of flat metal sheets and securely latching doors and covers.
- For cutout □ 9.5.
- Meets machinery directive 2006/42EC.
- After pre-assembly no losing, dropping or misplacing possible.
- Held securely in the cutout.
- Seismic-proof according to GR-63-CORE, Issue 4.
- Vibration-proof according to DIN EN 61373.
- Tool-less installation.
- Operation by Phillips H2, opening by a ¼ turn of the insert.
- One-piece.

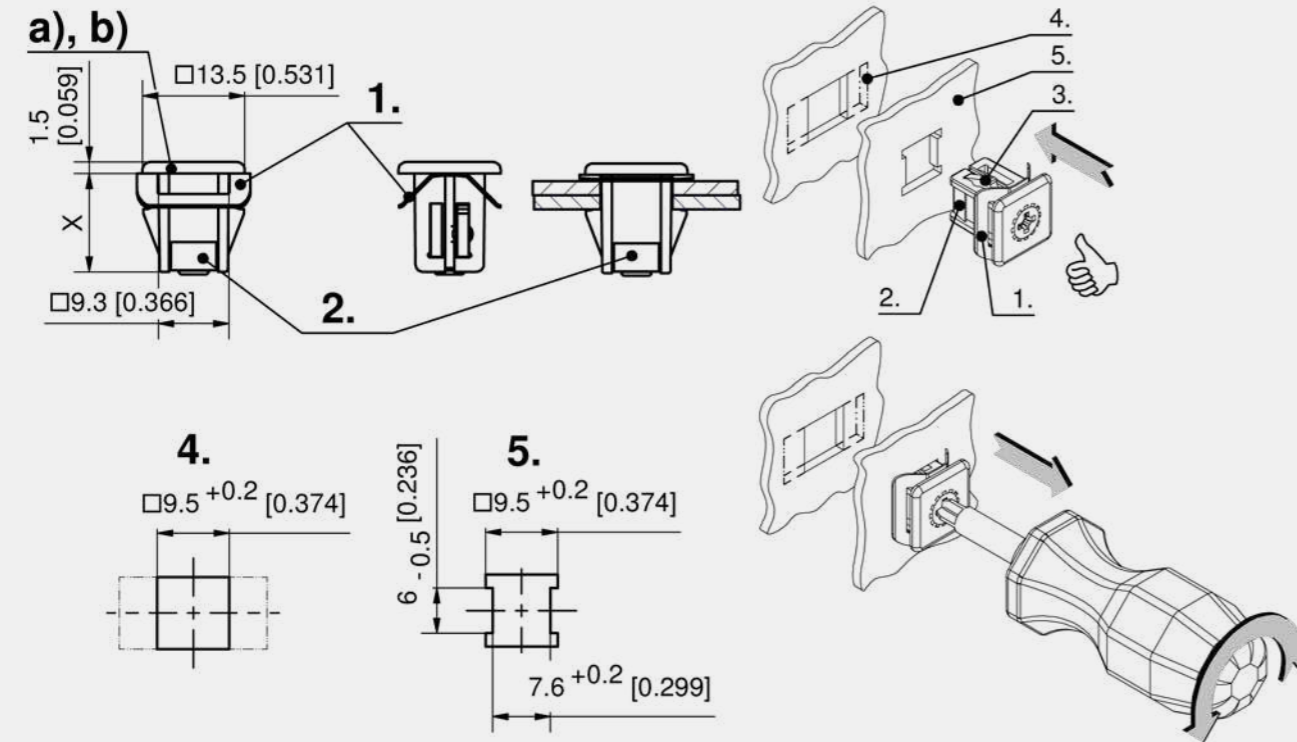
**Materials**

- **Housing:** zinc die, untreated
- **SNAP wedges:** sintered steel, zinc plated
- **Insert:** aluminum, hardened
- **Springs:** spring steel

**Remarks**

**Removal:** by turning the screwdriver counterclockwise, the SNAP wedges (3.) are retracted. The leaf spring (1.) pushes the fastener out of the rear panel, however, the U-shaped spring (2.) holds the fastener captive in the front panel. (4.) Cutout in the rear panel can also be an oblong hole for tolerance adjustment. (5.) Cutout front panel.

The (S) dimension indicates the total thickness of the sheet metal panels.



Fastener with insert Phillips H2

	Part Number	Clamping range (S)	Dimension X	Installation type	Delivery Unit
a)	294-9112.00-00017	1.5 - 2.0 mm	11 mm	tool-less	10 pcs.
a)	294-9112.00-00026	2.5 - 2.8 mm	11 mm	tool-less	10 pcs.
a)	294-9112.00-00030	2.9 - 3.2 mm	11 mm	tool-less	10 pcs.
a)	294-9112.00-00034	3.3 - 3.6 mm	11 mm	tool-less	10 pcs.
a)	294-9112.00-00042	4.1 - 4.4 mm	11 mm	tool-less	10 pcs.
b)	294-9118.00-00037	3.5 - 4.0 mm	13 mm	tool-less	10 pcs.
b)	294-9118.00-00046	4.5 - 4.8 mm	13 mm	tool-less	10 pcs.
b)	294-9118.00-00050	4.9 - 5.2 mm	13 mm	tool-less	10 pcs.
b)	294-9118.00-00054	5.3 - 5.6 mm	13 mm	tool-less	10 pcs.
b)	294-9118.00-00062	6.1 - 6.4 mm	13 mm	tool-less	10 pcs.



**Advantages**

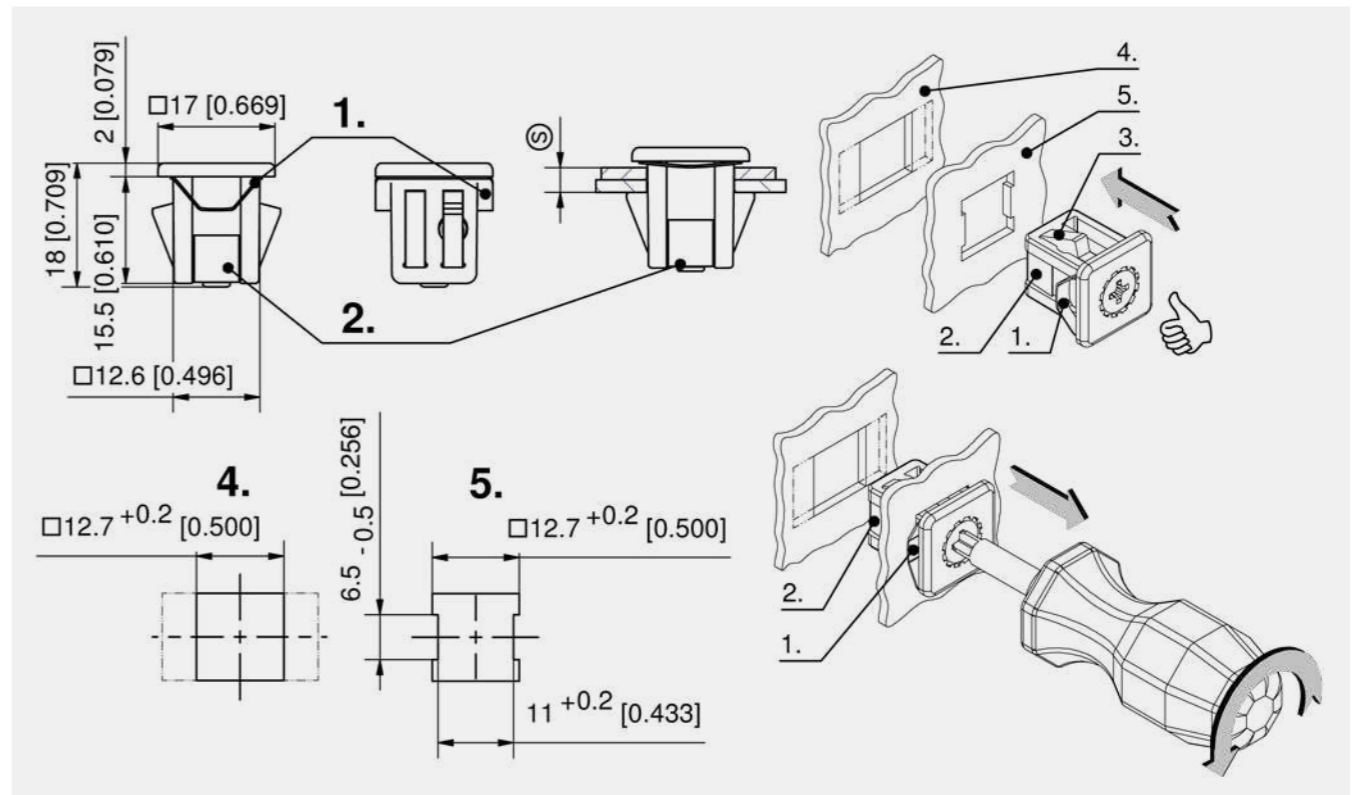
- With DIRAK-SNAP-Technology for joining of flat metal sheets and securely latching doors and covers.
- For cutout □ 12.7.
- Meets machinery directive 2006/42EC.
- After pre-assembly no losing, dropping or misplacing possible.
- Vibration-proof according to DIN EN 61373.
- Seismic-proof according to GR-63-CORE, Issue 4.
- Tool-less installation.
- Operation by Phillips H2, opening by a ¼ turn of the insert.
- The joining of metal sheets is achieved by pressing the fastener into the cutouts.

**Materials**

- **Housing:** zinc die, untreated
- **Snap wedges:** sintered steel, zinc plated
- **Insert:** aluminum, hardened
- **Springs:** spring steel

**Remarks**

**Removal:** by turning the screwdriver counterclockwise, the SNAP wedges (3.) are retracted. The leaf spring (1.) pushes the fastener out of the rear panel, however, the U-shaped spring (2.) holds the fastener captive in the front panel. (4.) Cutout in the rear panel can also be an oblong hole for tolerance adjustment. (5.) Cutout front panel. The (S) dimension indicates the total thickness of the sheet metal panels.



Fastener with insert Phillips H2

	Part Number	Clamping range (S)	Installation type	Delivery Unit
	294-9103.00-00021	1.4 - 1.9 mm	tool-less	10 pcs.
	294-9103.00-00031	2.4 - 2.9 mm	tool-less	10 pcs.
	294-9103.00-00036	2.9 - 3.4 mm	tool-less	10 pcs.
	294-9103.00-00041	3.4 - 3.9 mm	tool-less	10 pcs.
	294-9103.00-00046	3.9 - 4.4 mm	tool-less	10 pcs.
	294-9103.00-00056	4.9 - 5.4 mm	tool-less	10 pcs.
	294-9103.00-00061	5.4 - 5.9 mm	tool-less	10 pcs.
	294-9103.00-00066	5.9 - 6.4 mm	tool-less	10 pcs.







**Advantages**

- With DIRAK-SNAP-Technology for joining of flat metal sheets and securely latching doors and covers.
- For cutout □ 18.7.
- Meets machinery directive 2006/42EC.
- After pre-assembly the concern of losing, dropping or misplacing hardware is eliminated.
- Vibration-proof.
- Tool-less installation.
- Pressed into the front panel (sheet thickness max. 3mm) and permanently secured by the U-shaped spring (1.).
- Can be disconnected from the rear panel from the front with the tool for uninstallation 292-0312.83-00000.
- One-piece.

**Materials**

- Housing and Snap wedges:** zinc die, zinc plated
- U-shaped spring:** AISI 301

**Remarks**

2. installation
3. installed
4. removal

**Removal:** by turning the tool for uninstallation counter clockwise the SNAP wedges are drawn back. The U-shaped spring holds the fastener captive in the front panel.

Oblong hole possible in the rear panel, for tolerance adjustment.

The (S) dimension indicates the total thickness of the sheet metal panels.



**Advantages**

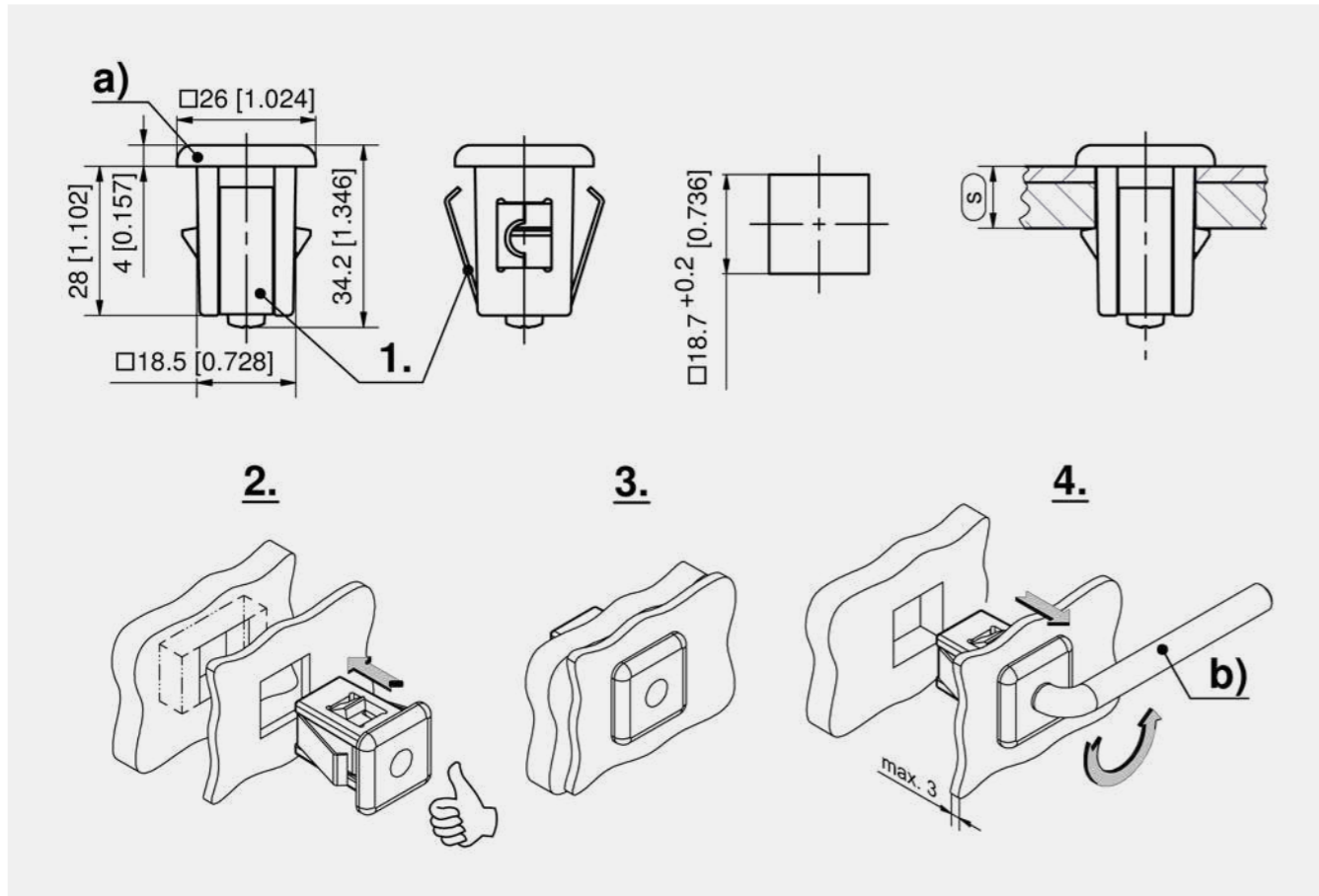
- With DIRAK-SNAP-Technology for joining metal sheets.
- For cutout 8x15.
- Vibration-proof.
- Tool-less installation.
- The joining of metal sheets is achieved by pressing the fastener into the cutouts.
- With tool Part-No.: 292-0302.70 this fastener can be disconnected both from inside (after removal of the red plug) and from the outside.
- The tool is captive in the open position.

**Materials**

- Housing:** PA, black or light grey, RAL 7035
- Snap wedges:** Grivory, black

**Remarks**

1. installation
  2. disassembly
  3. disassemble red plug
- The dimension (S) always means the thickness of both sheets e.g.:
- 1.5 + 1.5 = 3
  - 2.0 + 1.0 = 3
  - 2.0 + 2.0 = 4

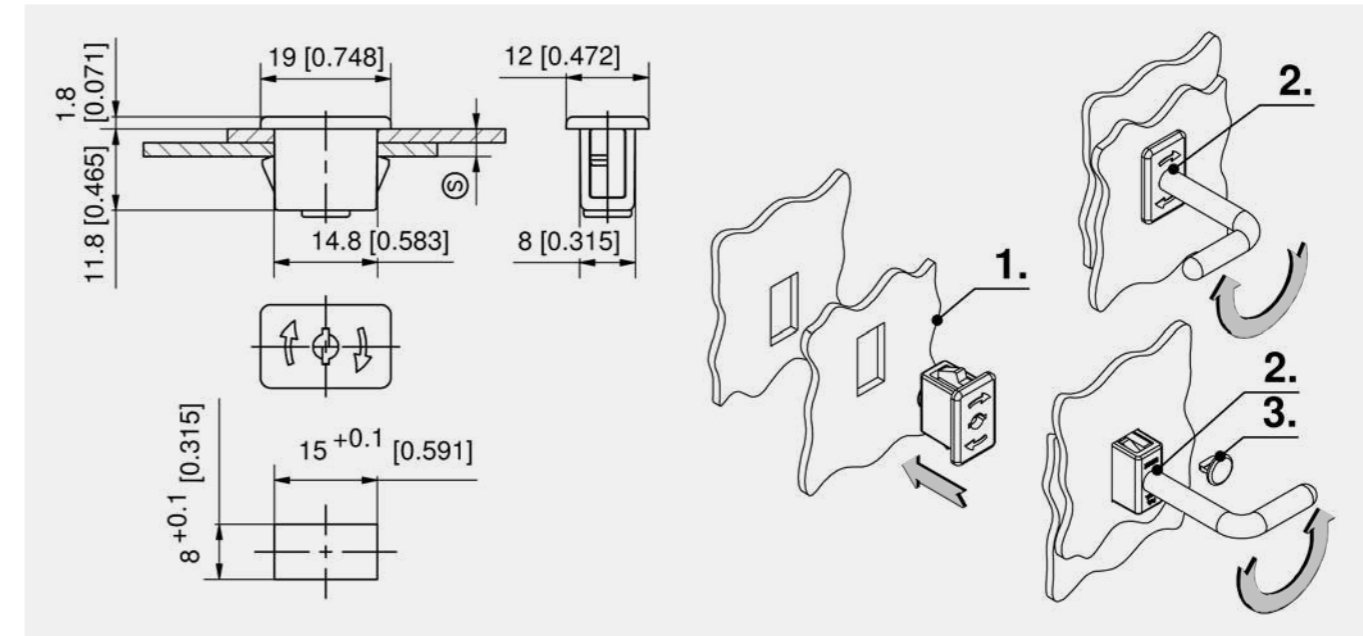


Fastener

Part Number	Clamping range (S)	Installation type	Delivery Unit
a) 294-8004.00-00001	11.5 - 11.8 mm	tool-less	10 pcs.

Accessories

b) 764 292-0312.83-00000	Tool for uninstallation
--------------------------	-------------------------



Fastener, PA

Part Number	Surface	Clamping range (S)	Installation type	Delivery Unit
294-9001.00-00015	black	1.5 - 1.8 mm	tool-less	10 pcs.
294-9001.00-00020	black	2.0 - 2.3 mm	tool-less	10 pcs.
294-9001.00-00030	black	3.0 - 3.3 mm	tool-less	10 pcs.
294-9001.00-00040	black	4.0 - 4.3 mm	tool-less	10 pcs.
294-9002.00-00015	light grey RAL 7035	1.5 - 1.8 mm	tool-less	10 pcs.
294-9002.00-00020	light grey RAL 7035	2.0 - 2.3 mm	tool-less	10 pcs.
294-9002.00-00030	light grey RAL 7035	3.0 - 3.3 mm	tool-less	10 pcs.
294-9002.00-00040	light grey RAL 7035	4.0 - 4.3 mm	tool-less	10 pcs.

Accessories

764 292-0302.70-00000	Tool for uninstallation
-----------------------	-------------------------





**Advantages**

- With DIRAK-SNAP-Technology for joining flat metal sheets.
- For cutout 30x10.
- Tool-less installation.
- Simple clip-in into its cutouts.
- Vibration-proof.

**Materials**

- **Housing:** zinc die, black
- **Snap wedges:** sintered steel, zinc plated

**Remarks**

1. installation
- The (S) dimension indicates the total thickness of the sheet metal panels.



**Advantages**

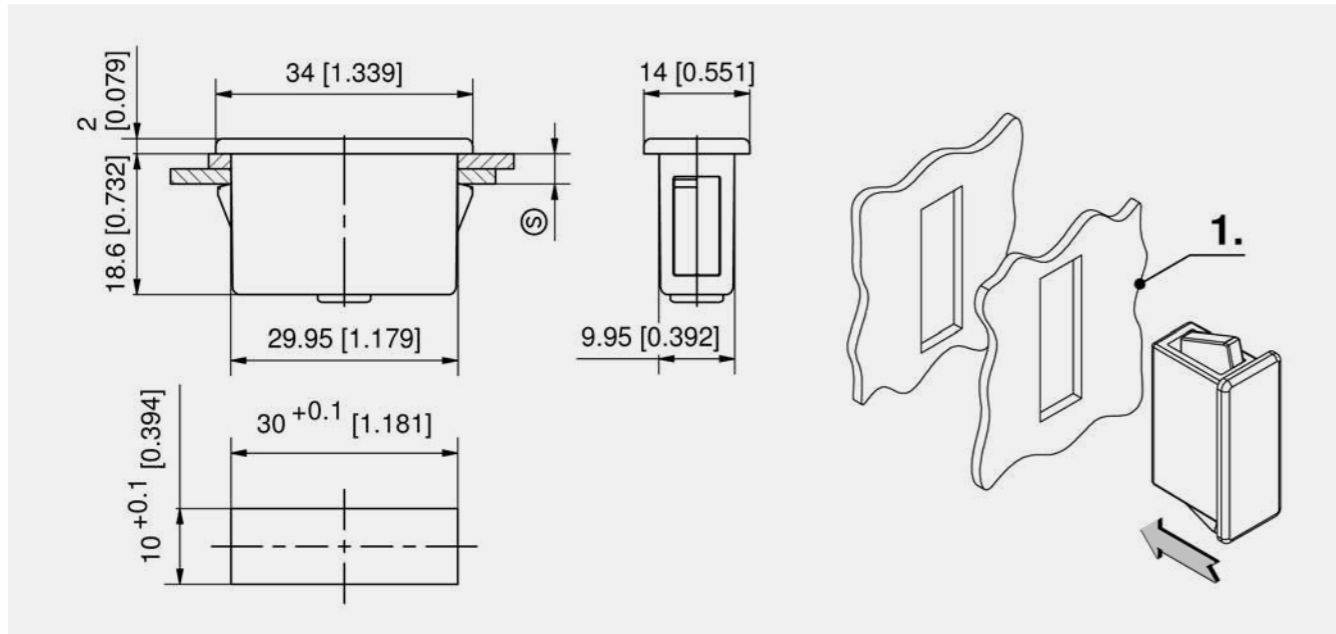
- With DIRAK-SNAP-Technology for joining flat metal sheets.
- For cutout 30x14.
- Tool-less installation.
- Simple clip-in into its cutouts.
- The riveted grounding clip assures an electrical connection between the sheets and the fastener itself.
- Seismic-proof according to GR-63-CORE, Issue 4.
- Vibration-proof according to DIN EN 61373.
- The teeth of the riveted grounding clip penetrate the painted edge of the cutouts.
- By using the tool for un-installation 292-0311.15 a disassembly from the front is possible.

**Materials**

- **Housing:** zinc die, black
- **Snap wedges:** sintered steel, zinc plated
- **Grounding clip:** stainless steel

**Remarks**

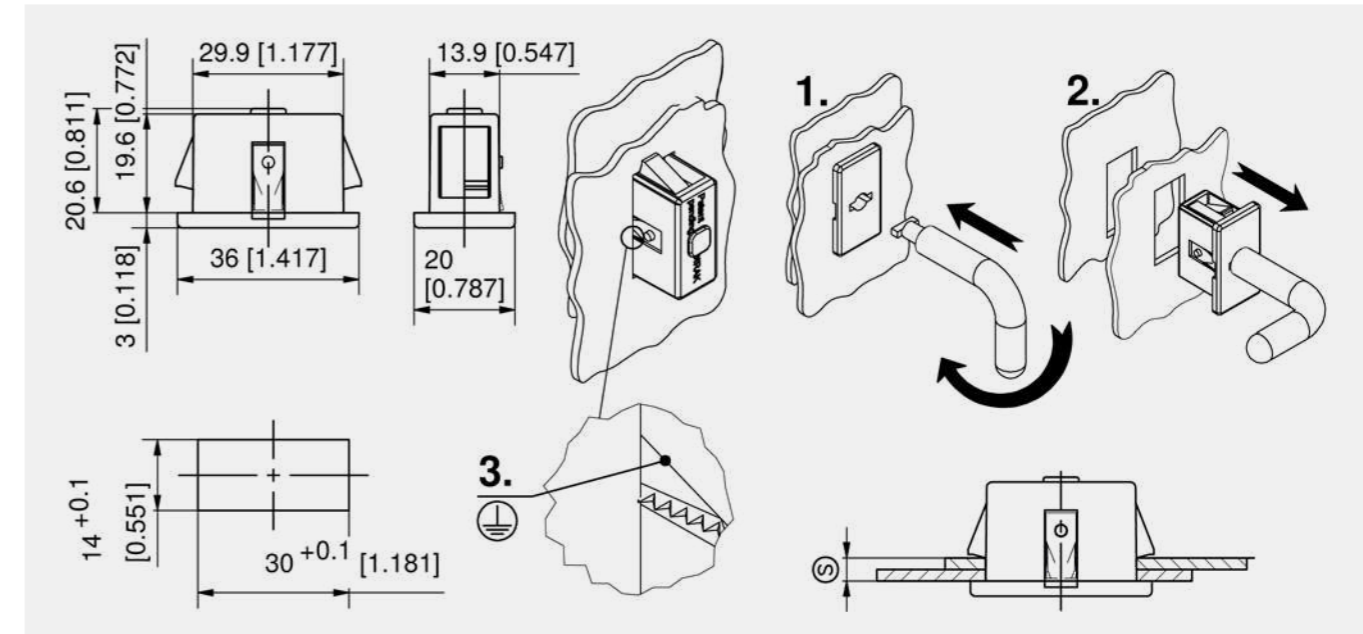
1. and 2. un-installation
  3. grounding clip
- The (S) dimension indicates the total thickness of the sheet metal panels



Fastener

Part Number	Clamping range (S)	Installation type	Delivery Unit
294-9106.00-00040	3.7 - 4.2 mm	tool-less	10 pcs.
294-9106.00-00045	4.2 - 4.7 mm	tool-less	10 pcs.
294-9106.00-00050	4.7 - 5.2 mm	tool-less	10 pcs.
294-9106.00-00055	5.2 - 5.7 mm	tool-less	10 pcs.
294-9106.00-00060	5.7 - 6.2 mm	tool-less	10 pcs.
294-9106.00-00080	7.7 - 8.2 mm	tool-less	10 pcs.

Accessories	
764	292-0306.80-02530 Tool for un-installation
762	292-0401.00-03010 Cutout-cover
763	292-0702.15-01030 Reinforcement plate for cutout



Fastener

Part Number	Clamping range (S)	Installation type	Delivery Unit
294-9003.00-00034	3.0 - 3.7 mm	tool-less	10 pcs.
294-9003.00-00043	4.0 - 4.5 mm	tool-less	10 pcs.
294-9003.00-00052	5.0 - 5.5 mm	tool-less	10 pcs.
294-9003.00-00063	6.0 - 6.5 mm	tool-less	10 pcs.

Accessories	
764	292-0311.15-00000 Tool for un-installation
762	292-0402.00-03014 Cutout-cover





**Advantages**

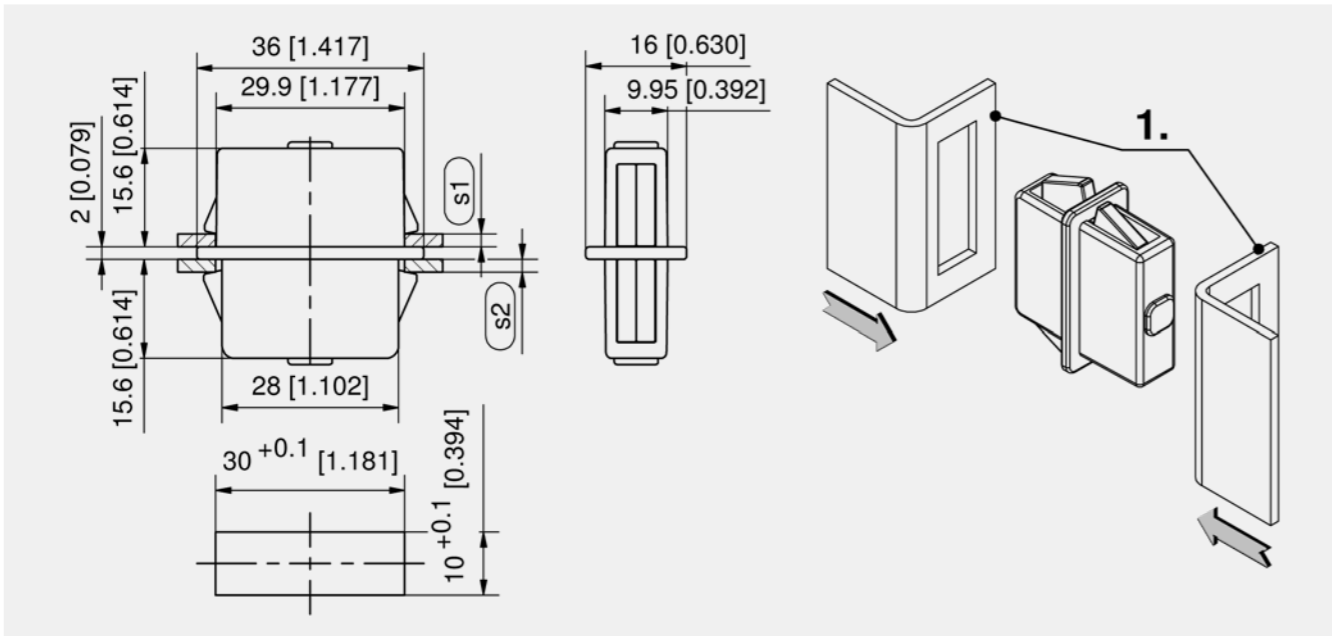
- With DIRAK-SNAP-Technology for joining flat metal sheets.
- For cutout 30x10.
- Tool-less installation.
- In order to provide a tolerance for installation, one half of the housing is just 28mm long.
- Vibration-proof.

**Materials**

- **Housing:** zinc die, black or PA black
- **Snap wedges:** sintered steel, zinc plated

**Remarks**

1. installation



Fastener, black

Part Number	Material	Clamping range (S)	Clamping range (S) 2	Installation type	Delivery Unit
294-9102.52-10010	PA	0.7 - 1.2 mm	0.7 - 1.2 mm	tool-less	10 pcs.
294-9102.52-20020	PA	1.7 - 2.2 mm	1.7 - 2.2 mm	tool-less	10 pcs.
294-9102.52-15015	PA	1.2 - 1.7 mm	1.2 - 1.7 mm	tool-less	10 pcs.
294-9102.52-25025	PA	2.2 - 2.7 mm	2.2 - 2.7 mm	tool-less	10 pcs.
294-9102.52-30030	PA	2.7 - 3.2 mm	2.7 - 3.2 mm	tool-less	10 pcs.
294-9107.33-10010	zinc die	0.7 - 1.2 mm	0.7 - 1.2 mm	tool-less	10 pcs.
294-9107.33-15015	zinc die	1.2 - 1.7 mm	1.2 - 1.7 mm	tool-less	10 pcs.
294-9107.33-20020	zinc die	1.7 - 2.2 mm	1.7 - 2.2 mm	tool-less	10 pcs.
294-9107.33-25025	zinc die	2.2 - 2.7 mm	2.2 - 2.7 mm	tool-less	10 pcs.
294-9107.33-30030	zinc die	2.7 - 3.2 mm	2.7 - 3.2 mm	tool-less	10 pcs.

Accessories	
764	292-0306.80-02530 <b>Tool for uninstallation</b>
762	292-0401.00-03010 <b>Cutout-cover</b>
763	292-0702.15-01030 <b>Reinforcement plate for cutout</b>



Hinges Pr01 180° with Grounding Countersunk Screw

See from page 509-510

Grounding Countersunk Screw

See page 752





**Advantages**

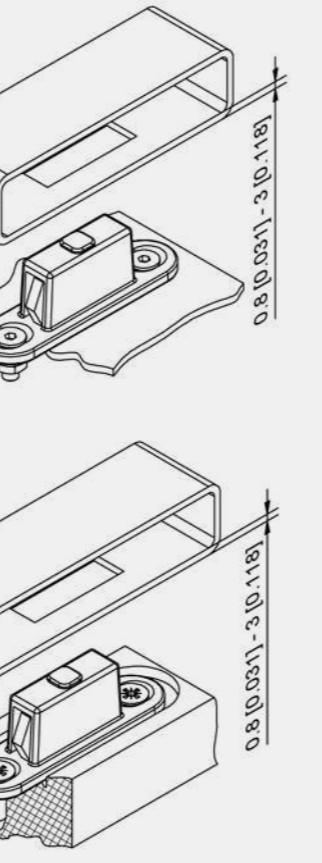
- With DIRAK-SNAP-Technology for a one-sided fixed and a one-sided detachable connection.
- For cutout 30x10.
- The width of the cutout can be enlarged for adjusting.
- Installation in closed profiles.
- Various fastening options e.g. with countersunk screws.
- The fastener can be installed in a recessed mounting position for flush applications.

**Materials**

Fastener and snap wedges: AISI 304

**Remarks**

- F = pull-off force
- cutout for detachable side / tolerance dimension
  - e.g. sheet metal
  - e.g. wood



Part Number	Version	Pull-off force	Clamping range (S)	Countersunk screws	Installation type	Delivery Unit
295-9003.00-00005	one removable side	~50N	0.8 - 3.0 mm	for Ø4.5mm hole diameter	tool-less / screw-on	10 pcs.



all product details on DIRAK.com

7-913DST



**Advantages**

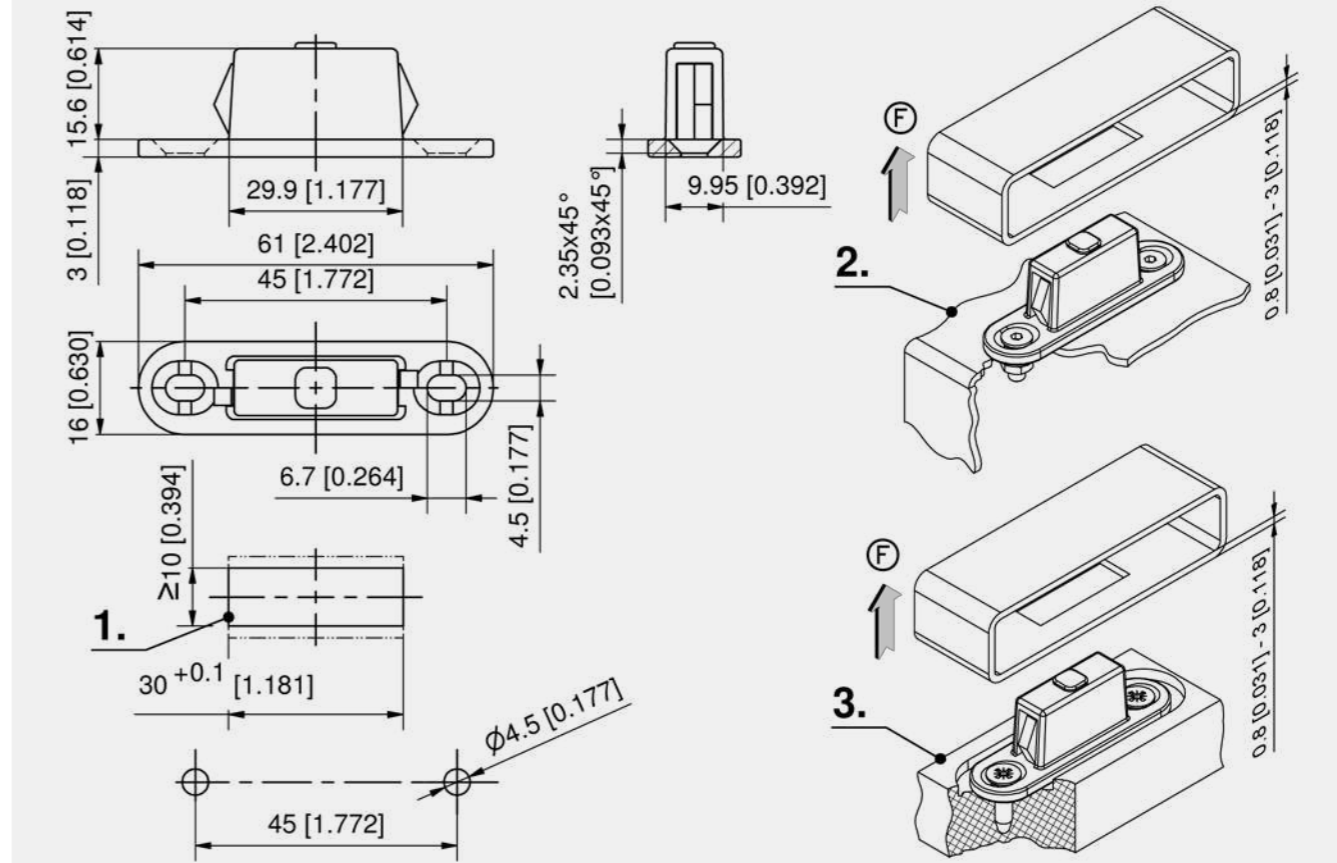
- With DIRAK-SNAP-Technology for a one-sided fixed and a one-sided detachable connection.
- For cutout 30x10.
- The width of the cutout can be enlarged for adjusting.
- Blind assembly in closed profiles.
- Vibration-proof.
- The fastener can be screwed on for flush applications in a recess (metal sheet / wood)

**Materials**

Fastener: zinc die, black  
Snap wedges: sintered steel, zinc plated

**Remarks**

- F = pull-off force
- Fastening with countersunk screws M4 or wood screws.
- cutout for detachable side / tolerance dimension
  - e.g. sheet metal
  - e.g. wood



Part Number	Clamping range (S)	Pull-off force	Installation type	Delivery Unit
295-9002.00-00001	0.8 - 3.0 mm	~15N	tool-less / screw-on	10 pcs.
295-9002.00-00003	0.8 - 3.0 mm	~30N	tool-less / screw-on	10 pcs.
295-9002.00-00005	0.8 - 3.0 mm	~50N	tool-less / screw-on	10 pcs.



all product details on DIRAK.com

1-046DST

DST



RoHS  
WEEE



**Advantages**

- With DIRAK-SNAP-Technology has one fixed side and one detachable side.
- Application for double-walled or bended non-sealed doors and side panels.
- The cutout for the fixed side is 30x10mm.
- For the detachable side a cut-out of 28x10mm to 30x16mm is possible.
- Tool-less installation.
- Vibration-proof.
- The DUAL fastener keep the door in position and prevent vibration of the door.

**Materials**

- **Dual Fastener:** PA, black or zinc die, black
- **Snap wedges:** sintered steel, zinc plated

**Remarks**

1. installed
2. removed
3. cutout for fixed side
4. cutout for detachable side / tolerance dimension
5. possible misalignment of the 2 cutouts

The sheet thicknesses (S) can be designed differently.

F = pull-off force

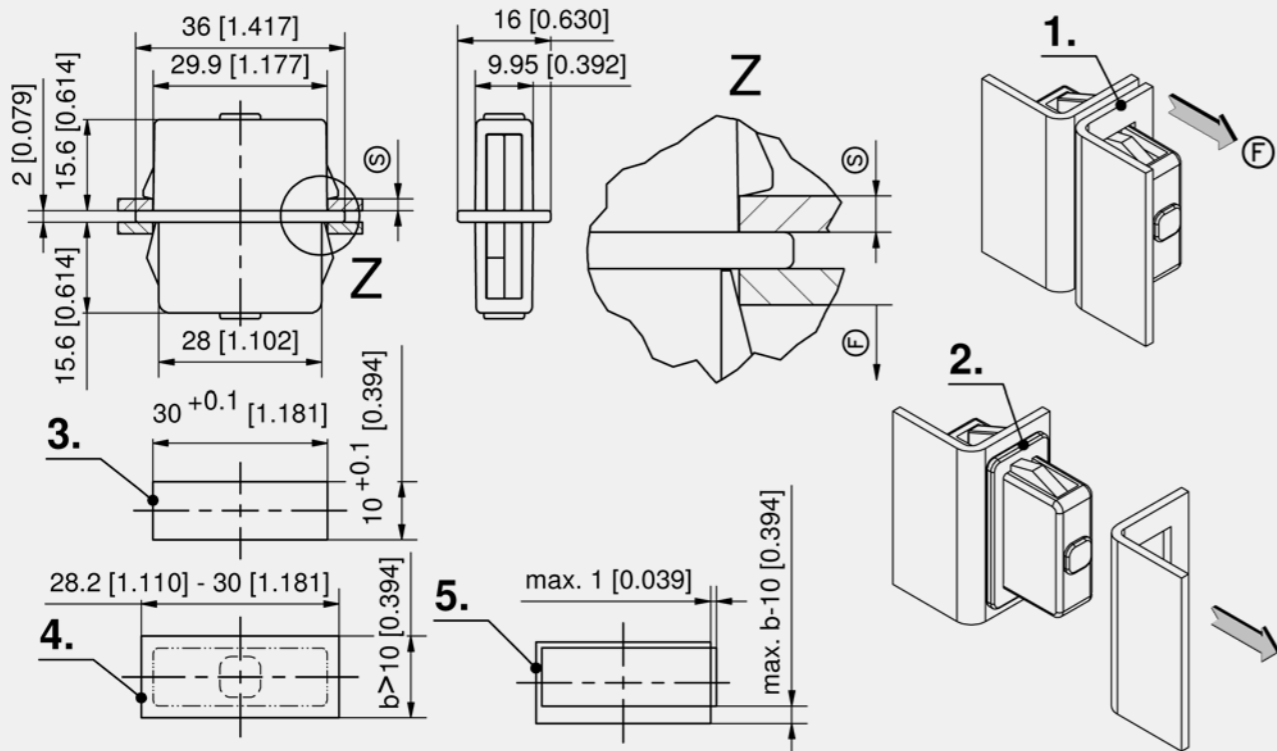
Fastener, zinc die, black

Part Number	Clamping range (S)	Pull-off force	Installation type	Delivery Unit
295-9001.33-10001	0.7 - 1.2 mm	-15N	tool-less	10 pcs.
295-9001.33-10003	0.7 - 1.2 mm	-30N	tool-less	10 pcs.
295-9001.33-10005	0.7 - 1.2 mm	-50N	tool-less	10 pcs.
295-9001.33-15001	1.2 - 1.7 mm	-15N	tool-less	10 pcs.
295-9001.33-15003	1.2 - 1.7 mm	-30N	tool-less	10 pcs.
295-9001.33-15005	1.2 - 1.7 mm	-50N	tool-less	10 pcs.
295-9001.33-20001	1.7 - 2.2 mm	-15N	tool-less	10 pcs.
295-9001.33-20003	1.7 - 2.2 mm	-30N	tool-less	10 pcs.
295-9001.33-20005	1.7 - 2.2 mm	-50N	tool-less	10 pcs.
295-9001.33-25001	2.2 - 2.7 mm	-15N	tool-less	10 pcs.
295-9001.33-25003	2.2 - 2.7 mm	-30N	tool-less	10 pcs.
295-9001.33-25005	2.2 - 2.7 mm	-50N	tool-less	10 pcs.
295-9001.33-30001	2.7 - 3.2 mm	-15N	tool-less	10 pcs.
295-9001.33-30003	2.7 - 3.2 mm	-30N	tool-less	10 pcs.
295-9001.33-30005	2.7 - 3.2 mm	-50N	tool-less	10 pcs.

Fastener, PA, black

Part Number	Clamping range (S)	Pull-off force	Installation type	Delivery Unit
295-9001.52-10001	0.7 - 1.2 mm	-15N	tool-less	10 pcs.
295-9001.52-10003	0.7 - 1.2 mm	-30N	tool-less	10 pcs.
295-9001.52-10005	0.7 - 1.2 mm	-50N	tool-less	10 pcs.
295-9001.52-15001	1.2 - 1.7 mm	-15N	tool-less	10 pcs.
295-9001.52-15003	1.2 - 1.7 mm	-30N	tool-less	10 pcs.
295-9001.52-15005	1.2 - 1.7 mm	-50N	tool-less	10 pcs.
295-9001.52-20001	1.7 - 2.2 mm	-15N	tool-less	10 pcs.
295-9001.52-20003	1.7 - 2.2 mm	-30N	tool-less	10 pcs.
295-9001.52-20005	1.7 - 2.2 mm	-50N	tool-less	10 pcs.
295-9001.52-25001	2.2 - 2.7 mm	-15N	tool-less	10 pcs.
295-9001.52-25003	2.2 - 2.7 mm	-30N	tool-less	10 pcs.
295-9001.52-25005	2.2 - 2.7 mm	-50N	tool-less	10 pcs.
295-9001.52-30001	2.7 - 3.2 mm	-15N	tool-less	10 pcs.
295-9001.52-30003	2.7 - 3.2 mm	-30N	tool-less	10 pcs.
295-9001.52-30005	2.7 - 3.2 mm	-50N	tool-less	10 pcs.

Accessories	
764	292-0306.80-02530 <b>Tool for uninstallation</b>
762	292-0401.00-03010 <b>Cutout-cover</b>
763	292-0702.15-01030 <b>Reinforcement plate for cutout</b>





**Advantages**

- Impossible to rotate nut and cage.
- Can be installed in the cutout without tools from the front as well as from behind.
- Cage made of PA is flexible and thus easy to install.
- Secure fit of the cage in the cutout through fitted square.
- Seismic-proof according to GR-63-CORE, Issue 4.
- Vibration-proof according to DIN EN 61373.
- Clamping range 1-4mm.
- For cutouts □9.5 and □9.2mm.
- Suitable for high torque and high tensile forces of up to 8 nm.

**Materials**

- **Cage:** PA, black
- **Nut:** steel, zinc plated white

**Remarks**

Installation description (1. - 6.) see www.DIRAK.com  
 a) + b) configure the cage a) with the nut b).  
 c) cages and nuts are packed pre-assembled per 100 in a bag.



**Advantages**

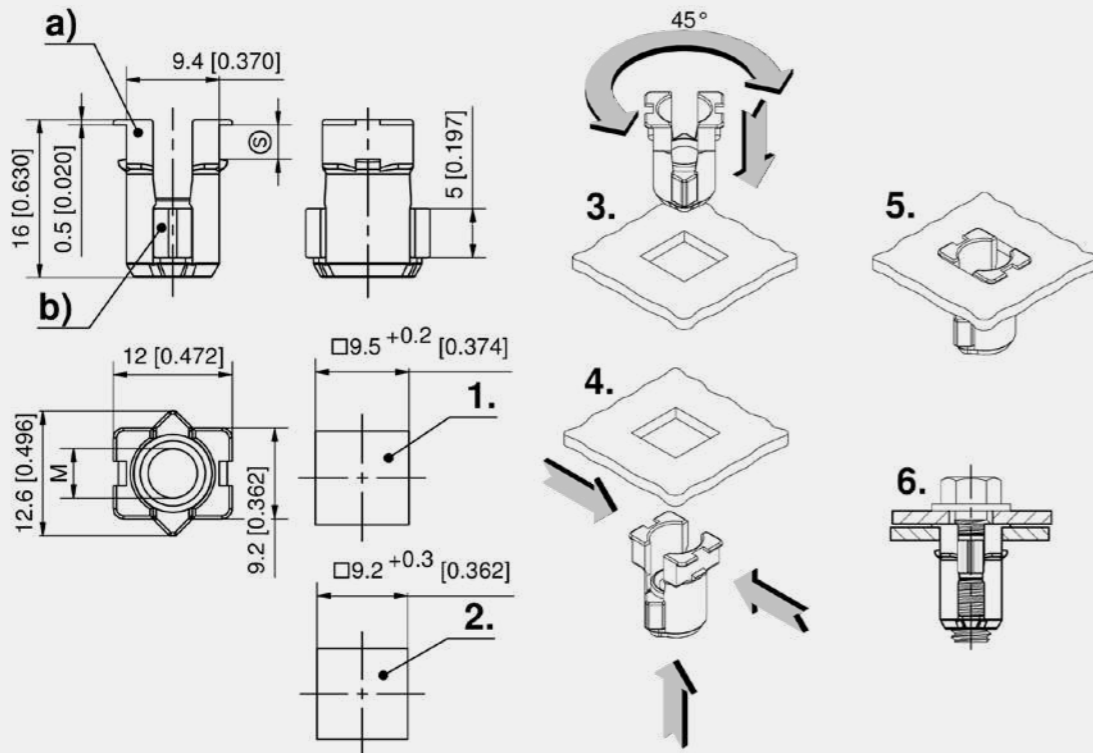
- For the secure joining of metal sheets.
- With grounding nut M6.
- Tested according to DIN EN 61439-1 (VDE 0660 part 600): 2012-06.
- Can be installed in the cutout without tools from the front as well as from behind.
- Secure fit of the cage in the cutout through fitted square.
- For cutouts □9.5 and □9.2mm.
- Suitable for high torque and high tensile force from 3 up to 8 nm.
- Cage and grounding nut packed in bulk.

**Materials**

- **Cage:** PA, black
- **Grounding nut:** steel, zinc plated white

**Remarks**

Installation description (1. - 7.) see www.DIRAK.com  
**Attention:** The contact points must be designed in such a way that the contact pressure will not be transferred through the PA cage.  
 Configure the cage a) with the grounding nut b).

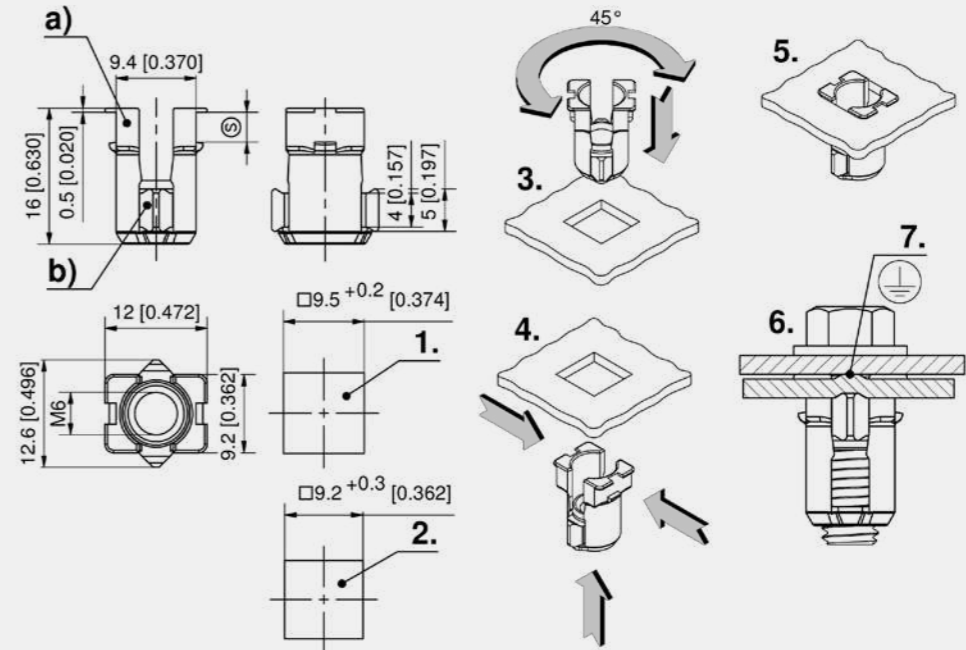


Cage nut, unmounted

Part Number	Name	Clamping range (S)	Delivery Unit
a) 203-1901.06-00095	Cage for Nut	1 - 4 mm	2000 pcs.
b) 203-1902.15-00006	Nut M6		2000 pcs.

Cage nut, pre-assembled

Part Number	Thread size	Clamping range (S)	Delivery Unit
c) 203-9002.00-00000	M6	1 - 4 mm	100 pcs.



Cage nut, unmounted

Part Number	Name	Clamping range (S)	Delivery Unit
a) 203-1901.06-00095	Cage for Nut	1 - 4 mm	2000 pcs.
b) 203-1904.15-00006	Grounding nut M6		2000 pcs.





DIN 61373

RoHS WEEE

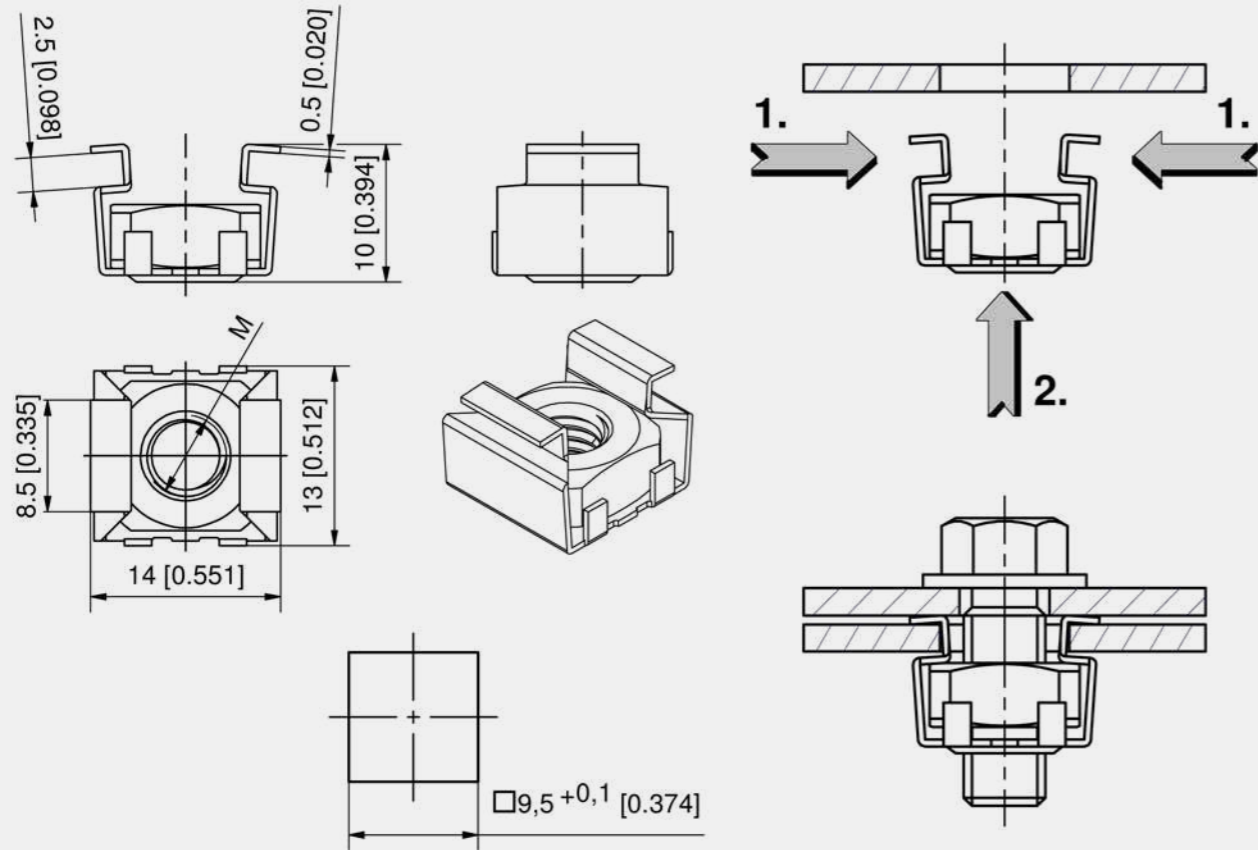


**Advantages**

- Ensures fixed connection of two metal sheets.
- Easy installation by pressing in square cutouts.
- Nut is moveable and adjustable in the cage until final fixing by screw.
- Seismic-proof according to GR-63-CORE, Issue 4.
- Vibration-proof according to DIN EN 61373.

**Materials**

- Cage:** steel, zinc plated or stainless steel AISI 304
- Nut:** steel, zinc plated or stainless steel AISI 316



Cage nuts

Part Number	Thread size	Material	Surface	Delivery Unit
359-0250.06-00000	M5	steel	zinc plated	200 pcs.
353-2010.00-00000	M5	AISI 304		200 pcs.
359-0206.06-00000	M6	steel	zinc plated	200 pcs.



Grounding Cage Nut □9,5

See page 747





DIN 61373

RoHS WEEE

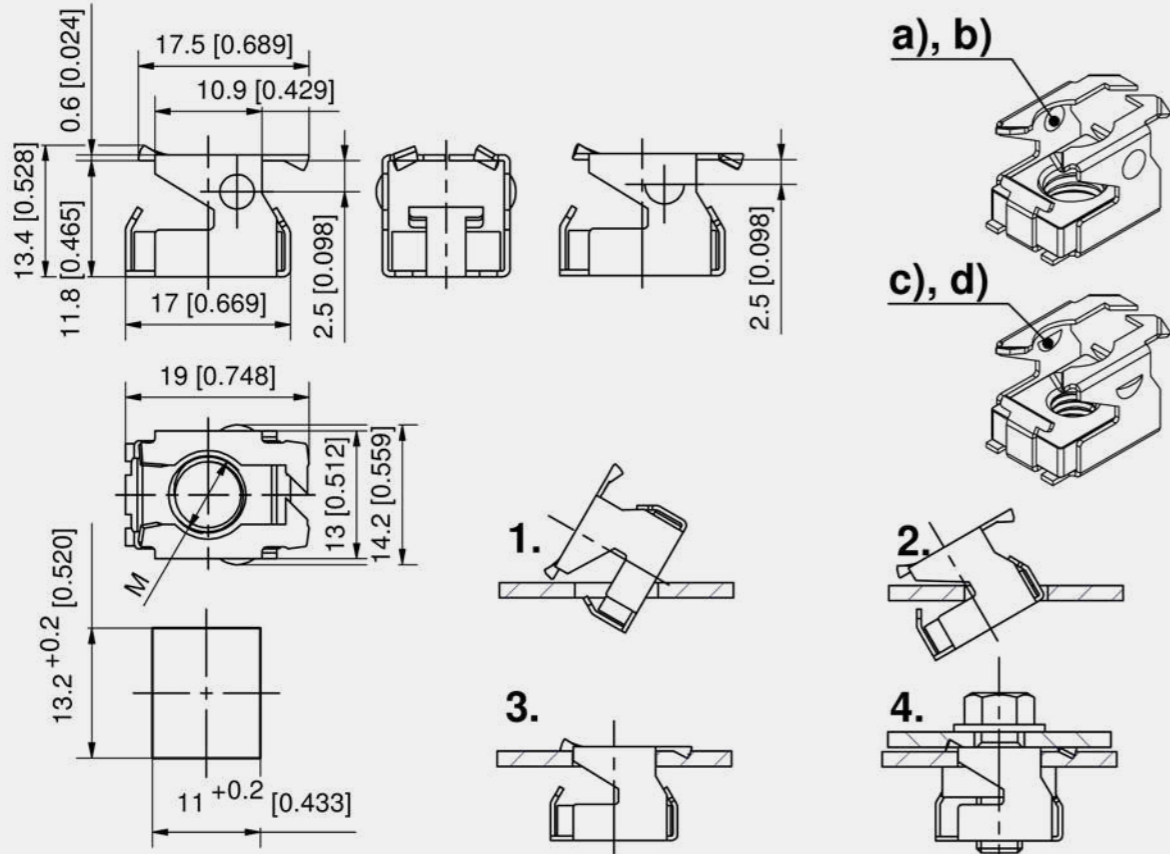


**Advantages**

- Ensures fixed connection of two metal sheets.
- Easy installation by pressing into square cutouts.
- Nut is moveable and adjustable in the cage until final fixing by screw.
- c) and d) special design of the cage prevents from falling out of the cutout.
- Seismic-proof according to GR-63-CORE, Issue 4.
- Vibration-proof according to DIN EN 61373.

**Materials**

- Cage and nut:** steel, zinc plated



Cage nuts

	Part Number	Thread size	Delivery Unit
a)	350-2004.00-00000	M8	200 pcs.
b)	350-2005.00-00000	M6	200 pcs.
c)	350-2046.00-00000	M6	200 pcs.
d)	350-2096.00-00000	1/4-20UNC	200 pcs.



**Advantages**

- Screw assembly consists of raised countersunk M5x30 Phillips H2 screw and sleeve.
- Meets IP66 certification (applicable for installation example shown below with even compression of the foam/glued seal).
- Captive by using o-ring 839-3770.00-00412.

**Materials**

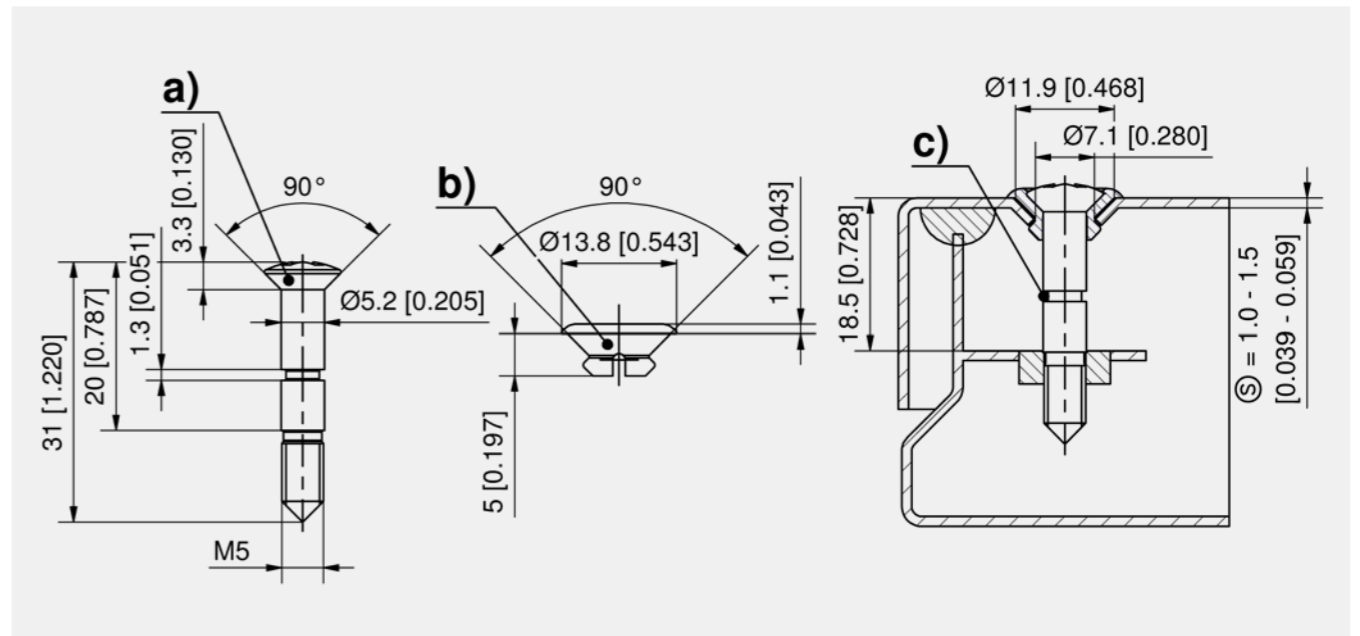
- Screw:** steel, zinc plated
- Sleeve:** PA, black
- O-ring:** NBR, black

**Remarks**

Additional lengths and materials of the screw available on request.

IP 66

RoHS WEEE



Screw assembly

	Part Number	Name	Material	Surface	Delivery Unit
a)	202-1103.15-00530	Raised countersunk screw, M5x30	steel	zinc plated	50 pcs.
b)	203-0655.61-00000	Sleeve	TPV Santoprene	black	50 pcs.

- Specific accessories**
- c) 839-3770.00-00412 O-ring 4 x 1.2mm







RoHS  
WEEE



**Vorteile**

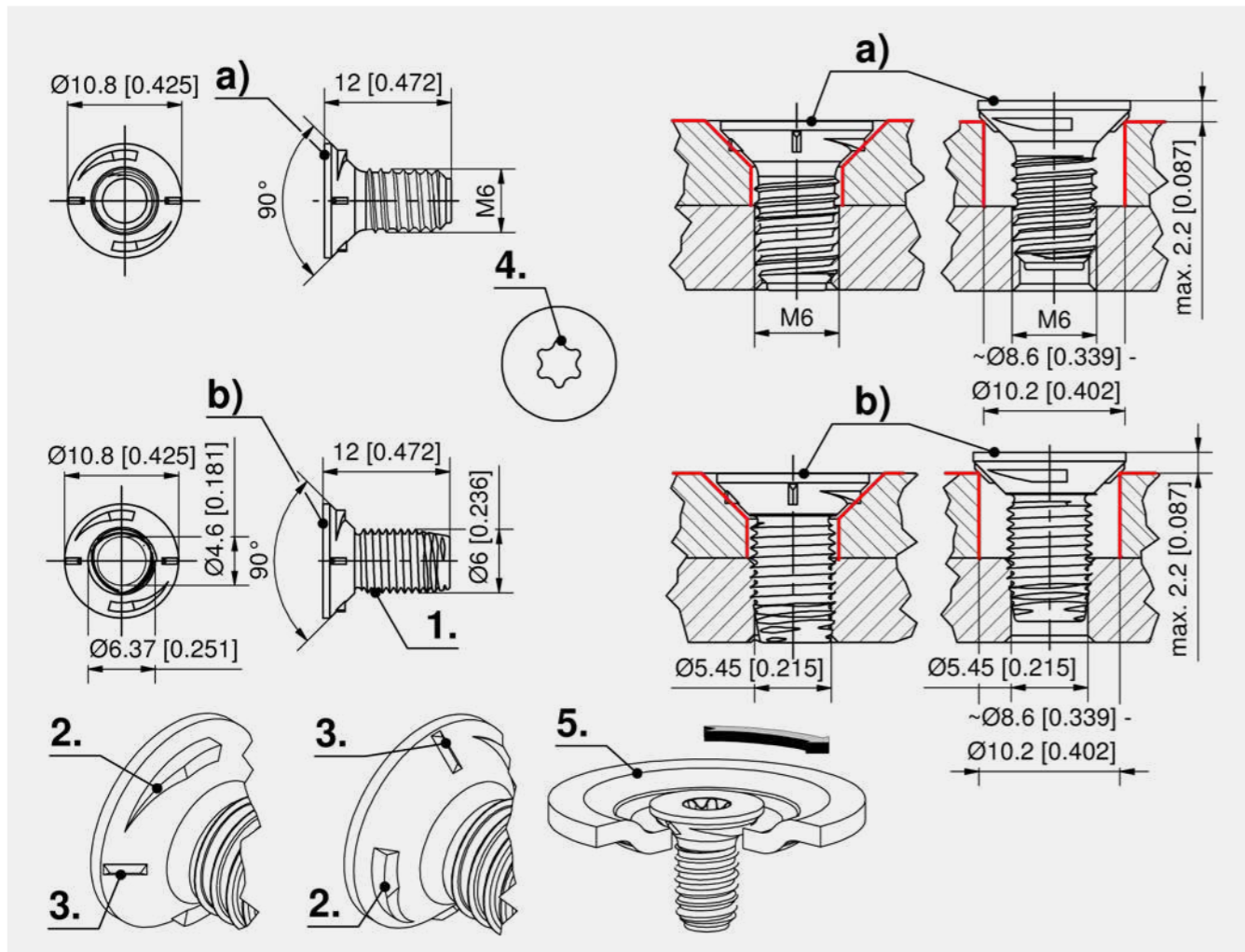
- Grounding is implemented by segment cutting edge (2.) or scraping tooth (3.).
- Tested according to DIN EN 61439-1 (VDE 0660 part 600): 2012-06 "Low Voltage Switchgear Combinations".
- Sliding coating ensures low screw-in torques.
- Hexagon socket drive in accordance with DIN EN ISO 10664 no. 30 (4.).
- DIRAK screws are shaped for applications without a nut thread so that they cut a metric nut thread.
- The counter thread is formed due to the non-circular cross-section and the slightly conical design.

**Werkstoffe**

- **Screw:** steel (10B21), strength 8.8 ISO898, zinc plated, sliding coated

**Anmerkungen**

- Please request our data sheet with detailed technical information.
- a) metric thread M6.
- b) metric thread cutting screw M6 according to DIN 7500. (1.)
- 5. Embossing at a cylindrical hole for flush surface.



Grounding countersunk screws

	Part Number	Version	Dimension	Delivery Unit
a)	800-9001.00-00000	metric thread	M6 x 12	100 pcs.
b)	800-9002.00-00000	metric thread cutting	Ø6 x 12	100 pcs.



DST Captive Fastener

See page 735



RoHS  
WEEE



**Advantages**

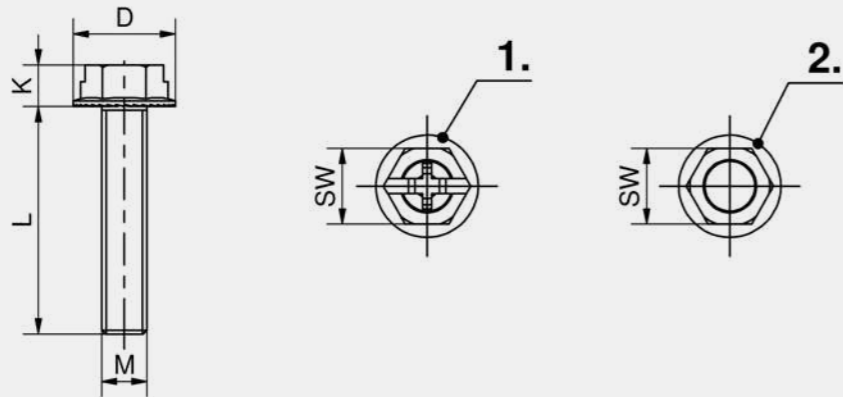
- Serrated screw with under-head serrations with Phillips/slot head.

**Materials**

- Serrated screws:** steel, zinc plated property class 5.8 or AISI 304
- Versions with powder locking dot on request.

**Remarks**

- 202-0606.04-00000 = only available with hexagon head.
- 202-0635.00-00000 = as long as stock lasts, hexagon head property class 8.8.
- 1. version Phillips/ slot
- 2. version hexagon



Serrated screws

Part Number	D	k	SW	L	Thread size	Material	Surface	Delivery Unit
202-0506.00-00000	10 mm	4.5 mm	8 mm	6 mm	M5	steel	zinc plated	200 pcs.
202-0508.00-00000	10 mm	4.5 mm	8 mm	8 mm	M5	steel	zinc plated	200 pcs.
202-0606.00-00000	13.5 mm	5.5 mm	10 mm	6 mm	M6	steel	zinc plated	200 pcs.
202-0607.00-00000	13.5 mm	5.5 mm	10 mm	7 mm	M6	steel	zinc plated	200 pcs.
202-0608.00-00000	13.5 mm	5.5 mm	10 mm	8 mm	M6	steel	zinc plated	200 pcs.
202-0610.00-00000	13.5 mm	5.5 mm	10 mm	10 mm	M6	steel	zinc plated	200 pcs.
202-0616.00-00000	13.5 mm	5.5 mm	10 mm	16 mm	M6	steel	zinc plated	200 pcs.
202-0620.00-00000	13.5 mm	5.5 mm	10 mm	20 mm	M6	steel	zinc plated	200 pcs.
202-0625.00-00000	13.5 mm	5.5 mm	10 mm	25 mm	M6	steel	zinc plated	200 pcs.
202-0630.00-00000	13.5 mm	5.5 mm	10 mm	30 mm	M6	steel	zinc plated	200 pcs.
202-0635.00-00000	13.5 mm	5.5 mm	10 mm	35 mm	M6	steel	zinc plated	200 pcs.
202-0640.00-00000	13.5 mm	5.5 mm	10 mm	40 mm	M6	steel	zinc plated	200 pcs.
202-0650.00-00000	13.5 mm	5.5 mm	10 mm	50 mm	M6	steel	zinc plated	200 pcs.
202-0810.00-00000	16.5 mm	7.5 mm	13 mm	10 mm	M6	steel	zinc plated	200 pcs.
202-0606.04-00000	13.5 mm	5.5 mm	10 mm	6 mm	M6	AISI 304	stainless steel	200 pcs.
202-0608.04-00000	13.5 mm	5.5 mm	10 mm	8 mm	M6	AISI 304	stainless steel	200 pcs.
202-0610.04-00000	13.5 mm	5.5 mm	10 mm	10 mm	M6	AISI 304	stainless steel	200 pcs.
202-0616.04-00000	13.5 mm	5.5 mm	10 mm	16 mm	M6	AISI 304	stainless steel	200 pcs.



RoHS  
WEEE

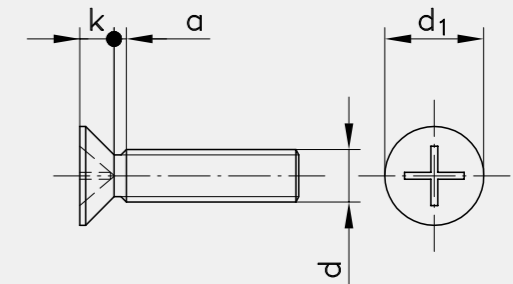


**Advantages**

- Countersunk machine screws according to DIN 965 DIN-EN-ISO 7046.
- Hex. nut according to DIN 934 DIN-EN-ISO 4032 and DIN 985 DIN-EN-ISO 10511.

**Materials**

- Countersunk machine screws and hex. nuts:** steel, zinc plated



$d = M5$	$d = M6$	$d = M8$
$a = 1.6$	$a = 2.0$	$a = 2.5$
$k = 2.5$	$k = 3.0$	$k = 4.0$
$d_1 = 9.2$	$d_1 = 11.0$	$d_1 = 14.5$

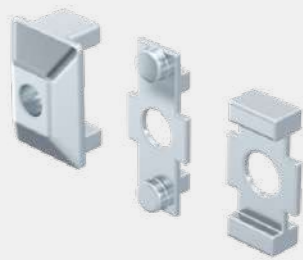
Countersunk screws

Part Number	Thread size	L	Delivery Unit
860-0965.00-00512	M5	12 mm	200 pcs.
860-0965.00-00516	M5	16 mm	200 pcs.
860-0965.00-00520	M5	20 mm	200 pcs.
860-0965.00-00525	M5	25 mm	200 pcs.
860-0965.00-00530	M5	30 mm	200 pcs.
860-0965.00-00540	M5	40 mm	200 pcs.
860-0965.00-00612	M6	12 mm	200 pcs.
860-0965.00-00616	M6	16 mm	200 pcs.
860-0965.00-00620	M6	20 mm	200 pcs.
860-0965.00-00625	M6	25 mm	200 pcs.

Hexagon nut

Part Number	Thread size	self-locking	Delivery Unit
860-0934.00-00005	M5		200 pcs.
860-0985.00-00005	M5	Yes	200 pcs.
800-0035.00-00000	M6		200 pcs.
800-0074.00-00000	M6	Yes	200 pcs.
860-0934.00-00008	M8		200 pcs.
800-0036.00-00000	M8		200 pcs.
800-0022.00-00000	M8	Yes	200 pcs.



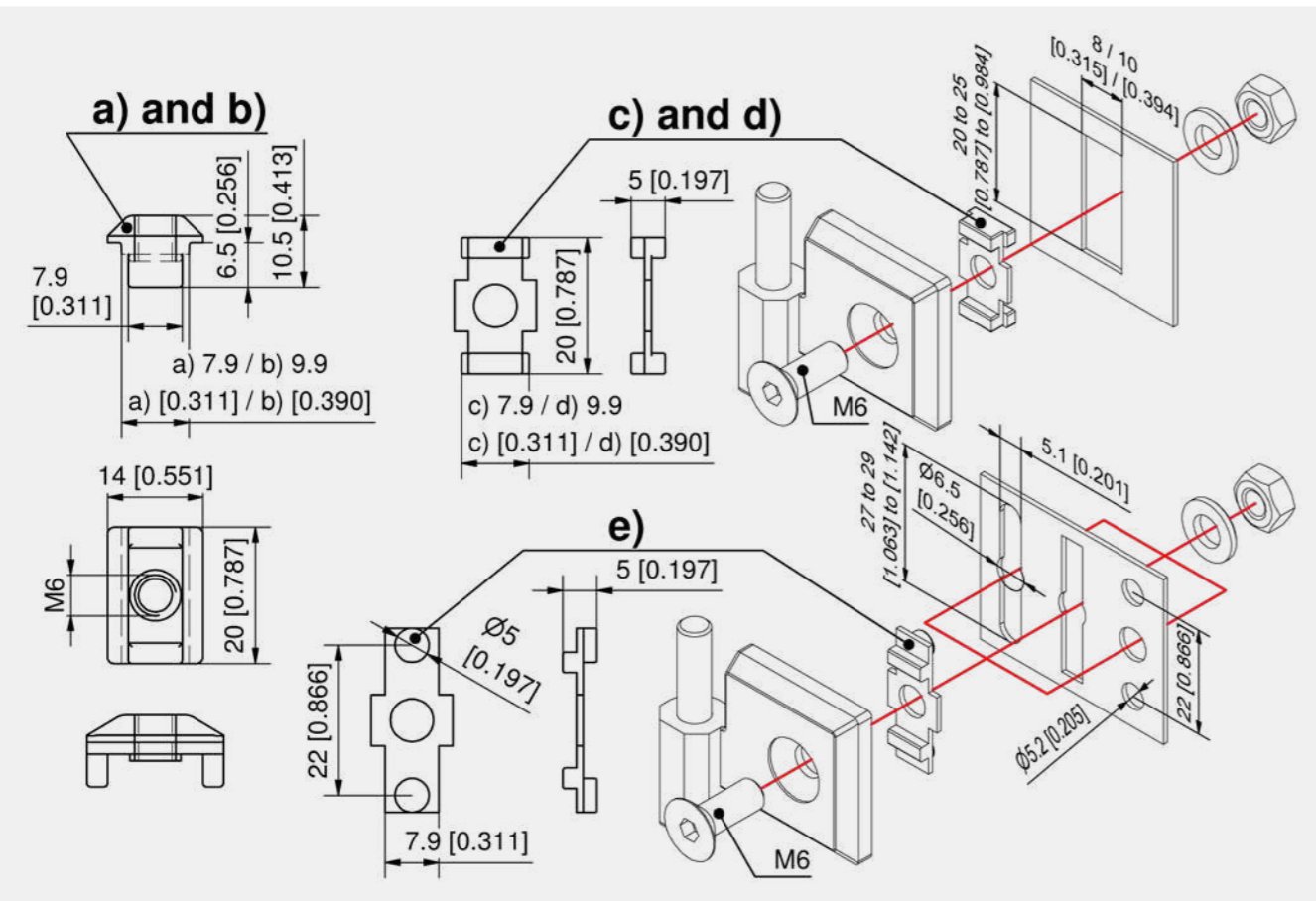


**Advantages**

- For application with hinges 4-247 and 4-247.01.
- Tenon blocks for 8 or 10mm groove.
- Fastening by M6.
- Anti-twist protection for sheet metal construction.
- For vertical or horizontal applications.
- Tolerance compensation possible by oblong holes.

**Materials**

- **Tenon blocks and anti-twist protection:** zinc die, untreated



Tenon blocks and anti-twist protection

	Part Number	Name	Groove width	Cutout	Thread size	Door-thickness (S)	Delivery Unit
a)	265-1001.00-00000	Tenon blocks with anti-twist protection	8 mm	8 x 20 to 25 mm	M6	0 - 3.2 mm	10 pcs.
b)	265-1002.00-00000	Tenon blocks with anti-twist protection	10 mm	10 x 20 to 25 mm	M6	0 - 3.2 mm	10 pcs.
c)	265-1101.00-00000	Anti-twist protection for square	8 mm	8 x 20 to 25 mm			10 pcs.
d)	265-1102.00-00000	Anti-twist protection for square	10 mm	10 x 20 to 25 mm			10 pcs.
e)	265-1103.00-00000	Anti-twist protection for drill-holes		3 options, see drawing			10 pcs.



all product details on DIRAK.com



**Advantages**

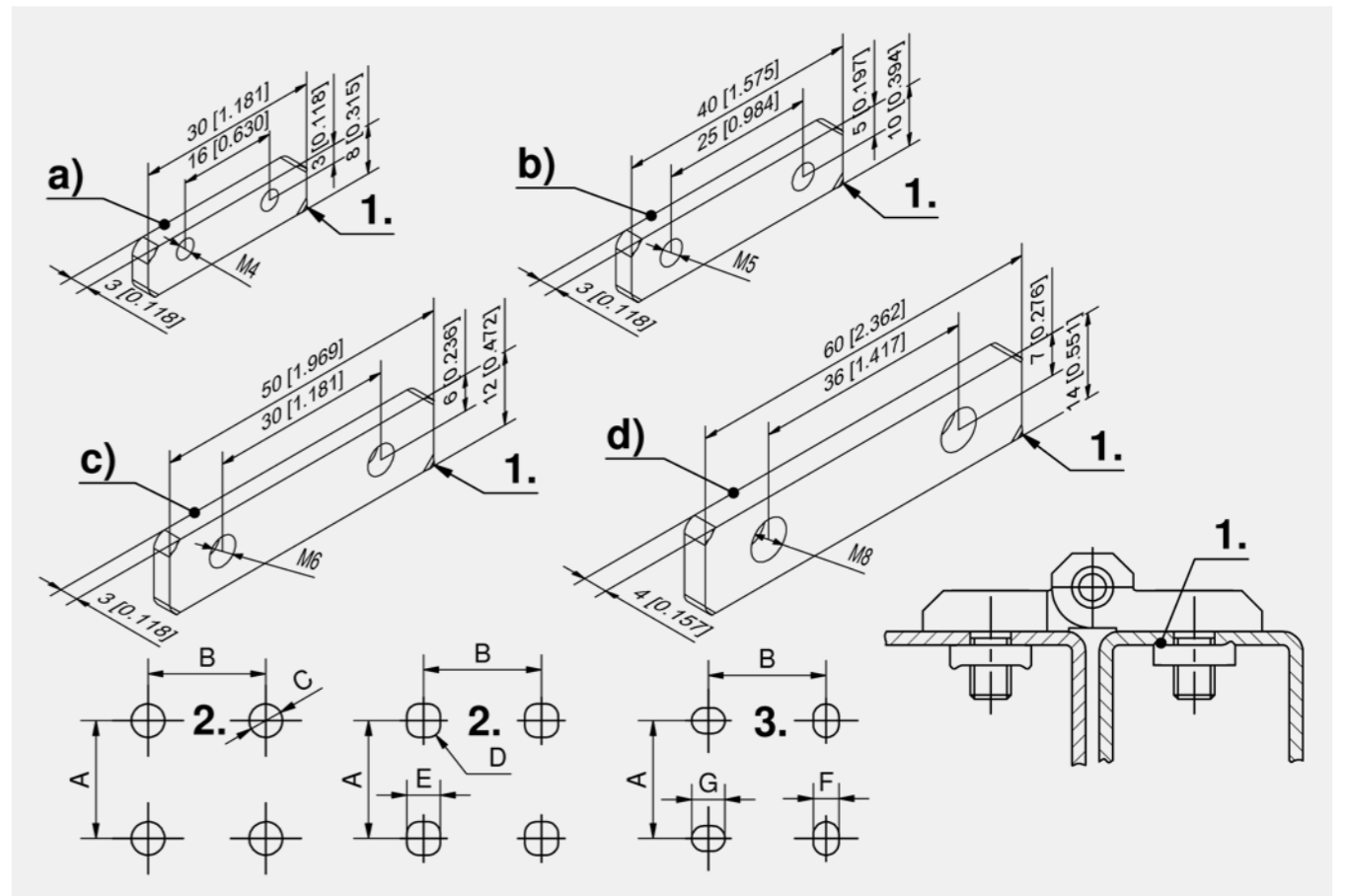
- The nut plates have been designed to allow an easy installation of the hinges in our 218-series. Tightening the screws from the outside only.
- Elimination of the time-consuming fitting of small single nuts in often quite difficult accessible corners.
- Oversized holes/cutouts allow for horizontal and/or vertical adjusting.
- Adjustment and alignment with just one tool, only from outside.
- The teeth (1.) on all 4 corners create enough friction to simplify installation and adjusting.
- If this friction is not wanted: these teeth can also point away from the inner skin of the door/frame.

**Materials**

- **Nut plate:** steel, zinc plated

**Remarks**

2. cutout for horizontal and vertical adjustment
3. cutout for horizontal and/or vertical adjustment



Nut plates

	Part Number	Thread size	A	B	C	D	e	f	G	Delivery Unit
a)	218-0907.15-00000	M4	16 mm	18 mm	6.5 mm	2 mm	6.5 mm	4.5 mm	6.5 mm	10 pcs.
b)	218-0908.15-00000	M5	25 mm	25 mm	7.5 mm	2.5 mm	7.5 mm	5.5 mm	7.5 mm	10 pcs.
c)	218-0909.15-00000	M6	30 mm	30 mm	8.5 mm	3 mm	8.5 mm	6.5 mm	8.5 mm	10 pcs.
d)	218-0910.15-00000	M8	36 mm	36 mm	10.5 mm	4 mm	10.5 mm	8.5 mm	10.5 mm	10 pcs.



all product details on DIRAK.com

# CONNECTING & FIXING ELEMENTS



Washers | Spacers | Bushings

Page 228



Screws & nuts

Page 265



Protective caps for screws & nuts

Page 304



Drive fasteners & rivets

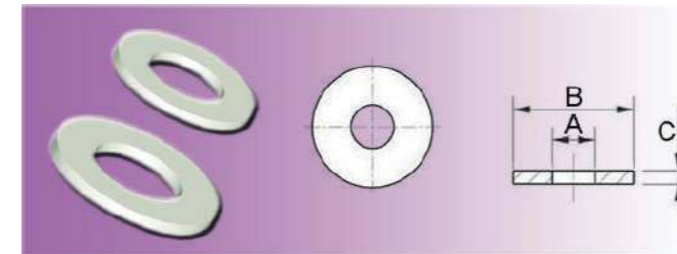
Page 320



Studs & snap-in nuts

Page 332

## Washers according to DIN plastic | DIN 125 | PA

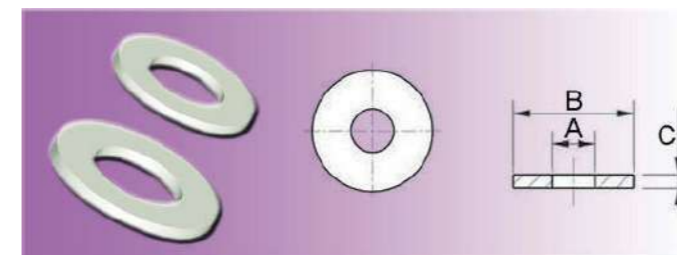


Flat washers ~DIN 125 (~DIN EN ISO 7089)

Material: PA (TPG on request)  
Colour: natural (black on request)

Part no.	A	B	C	Part no.	A	B	C	Part no.	A	B	C
0030106	1,7	4,0	0,3	0030503	5,3	10,0	1,0	0032000	21,0	37,0	3,0
0030107	1,8	4,5	0,3	0030600	6,4	12,0	1,6	0032202	23,0	39,0	3,0
0030200	2,2	5,0	0,3	0030700	7,4	14,0	1,6	0032505	25,0	44,0	4,0
0030201	2,5	6,0	0,5	0030803	8,4	16,0	1,6	0032700	28,0	50,0	4,0
0030249	2,7	6,0	0,5	0031002	10,5	20,0	2,0	0033000	31,0	56,0	4,0
0030252	2,8	7,0	0,5	0031200	13,0	24,0	2,5	0033300	34,0	60,0	5,0
0030305	3,2	7,0	0,5	0031400	15,0	28,0	2,5	0033600	37,0	66,0	5,0
0030307	3,7	8,0	0,5	0031600	17,0	30,0	3,0	0033900	40,0	72,0	6,0
0030407	4,3	9,0	0,8	0031800	19,0	34,0	3,0				

## Washers according to DIN plastic | DIN 125 | PP

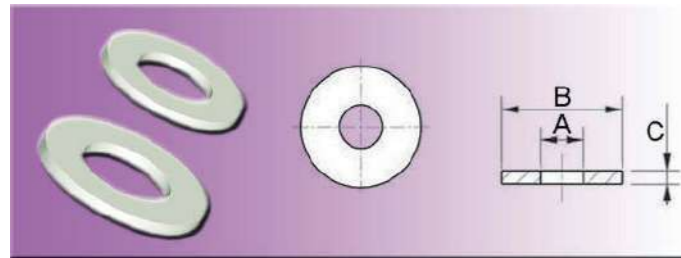


Flat washers ~DIN 125 (~DIN EN ISO 7089)

Material: PP  
Colour: natural

Part no.	A	B	C	Part no.	A	B	C	Part no.	A	B	C
0030407PP	4,3	9	0,8	0030600PP	6,4	12	1,6	0031002PP	10,5	20	2,0
0030503PP	5,3	10	1,0	0030803PP	8,4	16	1,6	0031200PP	13,0	24	2,5

Washers according to DIN plastic | DIN 125 | PVDF

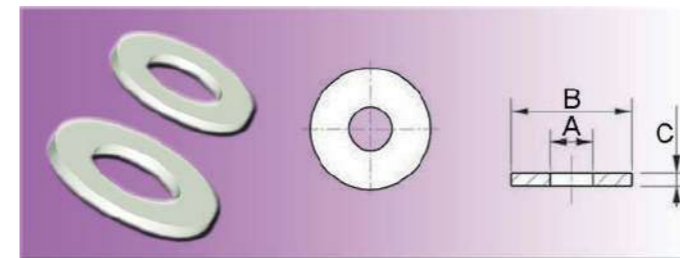


Flat washers ~DIN 125 (~DIN EN ISO 7089)

Material: PVDF  
Colour: natural

Part no.	A	B	C	Part no.	A	B	C	Part no.	A	B	C
0030407PVDF	4,3	9	0,8	0030803PVDF	8,4	16	1,6	0031600PVDF	17,0	30	3,0
0030503PVDF	5,3	10	1,0	0031002PVDF	10,5	20	2,0				
0030600PVDF	6,4	12	1,6	0031200PVDF	13,0	24	2,5				

Washers according to DIN plastic | DIN 9021 | PA

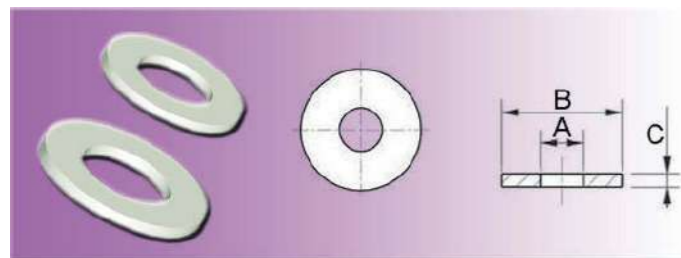


Flat washers ~DIN 9021 (~DIN 34816)

Material: PA (TPG on request)  
Colour: natural

Part no.	A	B	C	Part no.	A	B	C	Part no.	A	B	C
0320200	2,7	8,0	0,8	03205000001	5,3	15,0	1,2	0321202	13,0	37,0	3,0
032030100001	3,2	9,0	0,8	03206000001	6,4	18,0	1,6	0321400	15,0	44,0	3,0
0320302	3,7	11,0	0,8	0320700	7,4	22,0	2,0	0321600	17,0	50,0	3,0
032040000001	4,3	12,0	1,5	0320802	8,4	24,0	2,0	0321800	20,0	56,0	4,0
032040100001	4,3	12,0	1,0	0321001	10,5	30,0	2,5	0322000	22,0	60,0	4,0

Washers according to DIN plastic | DIN 433 | PA



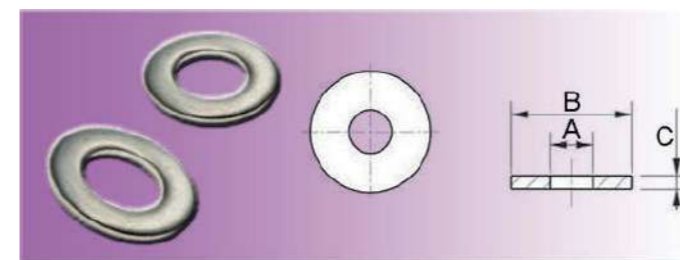
Flat washers ~DIN 433 (~DIN EN ISO 7092)

\* = version with anti-loss protection

Material: PA  
Colour: natural

Part no.	A	B	C	Part no.	A	B	C	Part no.	A	B	C
0410251	2,7	5,0	0,5	0410400*	4,3	8,0	1,0	0411000	10,5	18,0	1,6
0410250*	2,7	5,0	1,0	0410501	5,3	9,5	1,0	0411200	13,0	20,0	2,0
0410301	3,2	6,0	0,5	0410600	6,4	11,0	1,6	0411400	15,0	24,0	2,5
0410300*	3,2	6,0	1,0	0410800*	8,4	15,0	1,5	0411600	17,0	28,0	2,5
0410302	3,7	7,0	0,5	0410801	8,8	15,0	1,6	0411800	19,0	30,0	2,5
0410401	4,3	8,0	0,5	0411001	no longer available!			0412000	21,0	34,0	3,0

Washers according to DIN metal | DIN 125

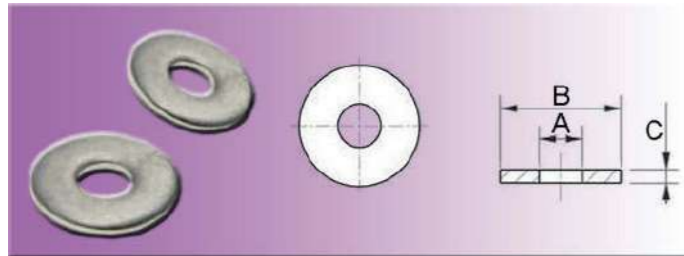


Flat washers ~DIN 125 (~DIN EN ISO 7089) form A

Material:  
zinc-plated steel (final digits 52)  
stainless steel (final digits 53)

Part no.	A	B	C	Part no.	A	B	C	Part no.	A	B	C
504010052	2,2	5,0	0,3	504030053	3,2	7,0	0,5	504060052	6,4	12,5	1,6
504010053	2,2	5,0	0,3	504040052	4,3	9,0	0,8	504060053	6,4	12,0	1,6
504020052	2,7	6,5	0,5	504040053	4,3	9,0	0,8	504080052	8,4	17,0	1,6
504020053	2,7	6,5	0,5	504050052	5,3	10,0	1,0	504080053	8,4	17,0	1,6
504030052	3,2	7,0	0,5	504050053	5,3	10,0	1,0				

Washers according to DIN metal | DIN 9021

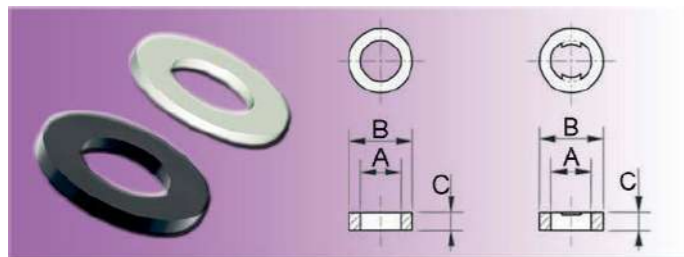


Flat washers ~DIN 9021 (~DIN EN ISO 7093)  
Washer's outer diameter = 3x screw diameter

Material:  
zinc-plated steel (final digits 52)  
stainless steel (final digits 53)

Part no.	A	B	C	Part no.	A	B	C	Part no.	A	B	C
505030052	3,2	9	0,8	505050052	5,3	15	1,2	505080052	8,4	24	2,0
505030053	3,2	9	0,8	505050053	5,3	15	1,2	505080053	8,4	24	2,0
505040052	4,3	12	1,0	505060052	6,4	18	1,6	505100053	10,5	30	2,5
505040053	4,3	12	1,0	505060053	6,4	18	1,6				

Washers without DIN plastic | PA | PVC

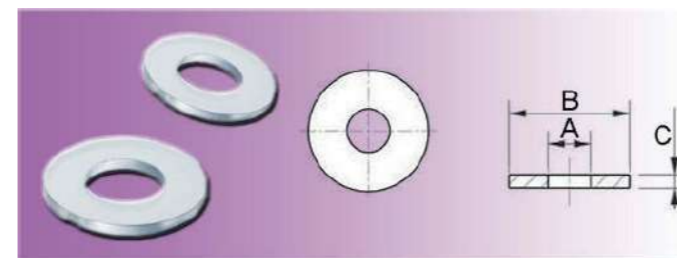


\* = version with anti-loss protection  
without final digits = PA 6, natural  
final digits 000 01 = PA 6.6, natural  
final digits 599 = PA 6, black  
final digits 114 07 = plasticised PVC, black

Part no.	A	B	C	Part no.	A	B	C	Part no.	A	B	C
0030202	2,5	8,0	1,0	0010401599	4,2	9,0	0,7	0010505599	5,2	12,0	5,0
0310250*	2,7	5,0	1,5	0010405599	4,2	9,0	1,2	0010503599	5,2	20,0	3,0
0030251	2,7	6,5	0,5	0010404599	4,2	12,0	2,0	0010504599	5,2	20,0	4,0
0030250	2,7	6,8	1,1	0010402599	4,2	16,0	2,0	0310501	5,3	8,5	2,8
0010301599	3,0	9,0	0,8	0310401	4,3	7,0	2,3	0310500*	5,3	8,5	2,8
0310301	3,2	5,5	2,2	0310400*	4,3	7,0	2,3	0030500*	5,3	11,5	1,4
0310300*	3,2	5,5	2,2	0030408	no longer available!			032050011407*	5,3	15,0	1,2
0030306	3,2	7,0	1,0	0030400*	4,3	9,0	1,4	033050000001	5,3	25,0	2,5
0030300	3,2	7,0	1,4	0010403599	4,3	9,0	2,5	033050011407	5,3	25,0	2,5
0030308*	3,2	7,0	1,4	032040011407*	4,3	12,0	1,5	0030504	5,4	12,0	1,5
0030301	3,2	8,0	1,5	033040000001	4,3	18,0	2,0	0010501599	5,5	8,0	1,0
032030000001*	3,2	9,0	1,5	033040011407*	4,3	18,0	2,0	0010601599	5,5	8,0	1,4
032030011407*	3,2	9,0	1,5	0030404	4,9	9,5	1,4	0010602599	5,8	8,0	1,5
033030000001*	3,2	15,0	1,5	0030402	4,9	12,7	1,4	0310600*	6,4	10,0	2,5
033030011407*	3,2	15,0	1,5	0030405	4,9	12,7	3,2	0310601	no longer available!		
0030304	3,4	5,7	0,6	0030403	4,9	15,9	2,5	032060100001	6,4	18,0	2,0
0030303	3,5	8,0	1,0	0030406	4,9	22,2	1,0	032060011407*	6,4	18,0	2,0
0030401	4,1	10,0	1,0	0010502599	5,1	12,0	1,8	033060000001	6,4	30,0	3,0

Part no.	A	B	C	Part no.	A	B	C	Part no.	A	B	C
033060011407*	6,4	30,0	3,0	0011002599	9,5	14,0	2,0	0011304599	13,5	25,0	4,5
0030601	6,5	12,0	1,5	0030813	9,6	18,0	1,2	0011401599	14,5	20,0	0,5
0030606	6,5	14,0	1,2	0011001599	9,9	13,0	1,0	0031403	15,2	26,0	1,4
0030608	6,6	14,3	1,4	0011004599	10,2	27,6	4,0	0031601	16,2	32,3	2,0
0030812	8,1	14,0	1,0	0011000599	10,2	13,0	0,6	0031602	17,0	28,0	2,0
0310801	8,4	13,0	2,8	0031001	10,2	17,0	2,0	0031605	17,2	26,0	1,4
0310800*	8,4	13,0	2,8	0031003	10,5	21,0	2,0	0011802599	18,0	25,0	2,0
0030801	8,4	17,0	1,6	032100000001	10,5	30,0	3,0	0031805	19,2	34,0	1,5
0030800	8,4	17,0	2,0	032100011407*	10,5	30,0	3,0	0032003	21,2	34,0	1,5
0320800000001	8,4	25,0	2,0	0031000	10,6	21,0	2,5	0032203	22,2	34,0	1,5
0320801	8,4	25,0	2,5	0011003599	10,7	23,0	2,9	0032204	23,2	38,0	1,7
032080011407	8,4	25,0	2,5	0011101599	10,7	23,2	1,0	0032504	25,2	40,0	1,7
0330800000001	8,4	40,0	3,0	0031007	11,2	18,0	1,2	0032600	27,0	50,0	4,0
033080011407*	8,4	40,0	3,0	0031204	12,2	24,0	1,3	0032800	29,0	50,0	4,0
0030802	8,6	17,0	2,0	0321200000001	no longer available!			0033200	33,0	60,0	5,0
0010903599	9,0	11,0	2,5	032120011407*	13,0	40,0	3,0	0033800	39,0	72,0	6,0
0010901599	9,0	14,0	1,0	0031205	13,2	24,0	1,3	0034000	41,0	72,0	6,0
0010902599	9,0	14,0	2,0	0011303599	13,5	25,0	3,0				

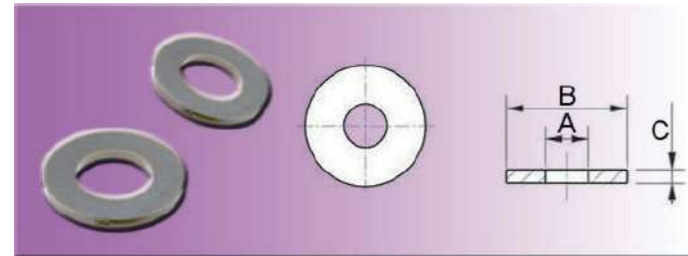
Washers without DIN plastic | PC



Material: PC  
Colour: transparent

Part no.	A	B	C	Part no.	A	B	C	Part no.	A	B	C
2680002	2,1	4	0,5	2680004	4,5	10	0,8	2680008	8,5	18	1,6
2680026	2,7	6	0,5	2680005	5,5	12	0,8				
2680003	3,3	8	0,8	2680006	6,5	13	1,0				

Washers without DIN plastic | PEEK

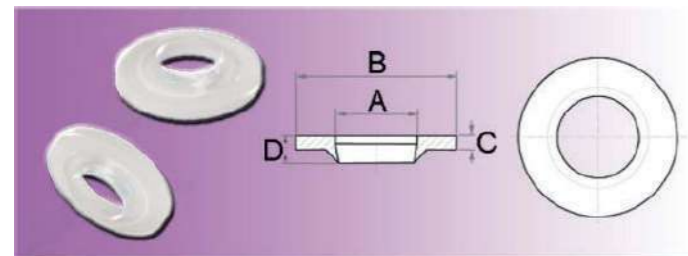


Material: PEEK  
Colour: light brown

- Temperature: max. 180°C
- High-strength and excellent form stability
- High modulus of elasticity and excellent creep resistance
- Resistant to many chemicals
- Flammability rating: UL94 V0
- Further PEEK products: series 280 to series 285 and series 386

Part no.	A	B	C	Part no.	A	B	C	Part no.	A	B	C
2850200	no longer available!			2850500	5,3	10,0	1,0	2851000	10,5	21,0	2,0
2850300	3,2	7,0	0,5	2850600	6,4	12,5	1,6				
2850400	4,3	9,0	0,8	2850800	8,4	17,0	1,6				

Retaining washers of plastic | Anti-loss washers



These rings were specially developed to use a screw (even sheet metal screws) as a captive connecting element, to protect surfaces of sensitive instruments, to construct temporary connections without nuts or to attach washers to screws captively before using a automatic screw driver.

Material: polyamide  
Colour: natural

Part no.	M	A	B	C	D	Part no.	M	A	B	C	D
0240003	M3,5	3,6	9,15	1,2	2,7	0240010	M10	10,5	15,0	2,1	4,3
0240004	M4/3,8	3,9-4,2	9,0	1,5	--	0240012	R¼"	13,2	18,9	2,6	4,5
0240005	M5	4,8	10,0	1,6	3,65	0240016	R3/8"	17,7	23,0	2,15	4,5
0240006	M6	6,3	12,5	1,5	2,75	0240020	R½"	21,5	27,6	2,1	4,2
0240008	M8	8,25	16,2	1,65	3,5						

Anti-loss Washers

SR K-0018  
Natural PA 6.6

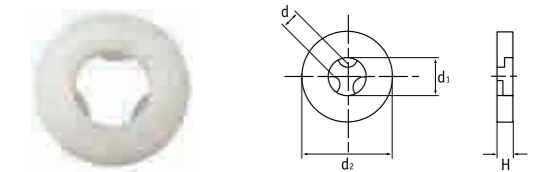


Part Number	Dimensions (mm)				Standard Pack Quantity
	OD	ID	ID "B"	Thickness	
16FWRT002032	5.16	2.92	1.98	0.81	1000
16FWRT002062	5.16	2.92	1.98	1.58	1000
16FWRT004032	6.75	3.96	2.59	0.81	1000
16FWRT004050	25.4	3.96	2.59	1.27	1000
16FWRT004062	6.75	3.96	2.59	1.58	1000
16FWRT004125	6.75	3.96	2.59	3.18	1000
16FWRT006032	8.33	5.03	3.25	0.81	1000
16FWRT006062	8.33	5.03	3.25	1.58	1000
16FWRT007062	19.05	9.53	5.46	1.58	500
16FWRT007062A	25.4	9.53	5.46	1.58	250
16FWRT008032	9.92	5.97	3.86	0.81	1000
16FWRT008032A	9.91	5.97	3.43	0.81	1000
16FWRT008032C	8.33	5.96	3.86	0.81	1000
16FWRT008045	11.51	5.54	3.43	1.14	1000
16FWRT008062	9.92	5.97	3.86	1.58	1000
16FWRT010032	11.51	7.04	4.5	0.81	1000
16FWRT010055	10.16	7.03	4.5	1.39	1000
16FWRT010059	19.99	6.99	4.5	1.5	500
16FWRT010062	11.51	7.04	4.5	1.58	1000
16FWRT010062A	12.7	7.04	4.5	1.58	1000
16FWRT010062C	16	7.04	4.5	1.58	1000
16FWRT250032	15.08	9.53	5.94	0.81	1000
16FWRT250032A	12.7	8.74	5.94	0.81	1000
16FWRT250062	15.08	9.53	5.94	1.58	1000
16FWRT250062A	38.1	11.43	5.94	1.58	1000
16FWRT250062C	38.1	9.53	5.94	1.58	1000
16FWRT250062E	15.64	9.53	5.94	1.57	1000
16FWRT312032	18.65	11.94	7.42	0.81	1000
16FWRT312062	18.65	11.94	7.42	1.58	1000
16FWRT375032	22.62	14.33	8.89	0.81	1000
16FWRT375062	22.62	14.33	8.89	1.58	500
16FWRT375062A	32	14.3	8.89	1.58	1000
16FWRT375062C	18.65	14.33	8.89	1.58	1000
16FWRT437032	26.19	14.48	10.4	0.81	500
16FWRT437062	26.19	14.48	10.4	1.58	500
16FWRT500032	28.58	17.53	11.9	0.81	500
16FWRT500062	28.58	17.53	11.9	1.58	500
16FWRT875062	34.14	23.88	20.9	1.58	250
16FWRT999062	35.18	27.18	24.6	1.58	250

Anti-Loss Washers

SR 1945  
Natural HDPE

- Hold screws and bolts in place during assembly



Part Number	Size	Dimensions (mm)				Standard Pack Quantity
		d	d1	d2	H	
1040040900VR	M3	2.5	3.2	8.0	0.8	1000
1040160900VR	M3	2.5	3.2	9.0	0.8	1000
1348399	M3	2.5	3.2	10.0	0.8	1000
1040180900VR	M3	2.5	3.2	12.8	0.8	1000
1348400	M3.5	2.9	3.7	7.0	0.5	1000
497517	M3.5	2.9	4.3	8.0	0.8	1000
497516	M4	3.3	4.3	9.0	0.8	1000
497518	M4	3.3	4.3	10.0	0.8	1000
1040070900VR	M4	3.3	4.3	10.0	0.8	1000
1343722	M4	3.3	4.3	12.8	0.8	1000
497519	M5	4.2	5.3	10.0	1.0	1000
1040080900VR	M5	4.2	5.3	12.0	1.0	1000
1040320900VR	M5	4.2	5.3	20.0	1.0	1000
1040350900VR	M6	4.6	6.2	9.5	1.0	1000
1040340900VR	M6	5.2	6.4	12.0	1.2	1000
1040060900VR	M6	5.2	6.4	12.0	1.6	1000
1040240900VR	M6	5.2	6.4	12.5	1.6	1000
1040090900VR	M6	5.2	6.4	14.0	1.2	1000
1040250900VR	M6	5.2	6.4	15.0	1.6	1000
1040260900VR	M6	5.2	6.4	16.0	1.6	1000
1348396	M6	5.2	6.4	17.0	1.6	1000
1040360900VR	M8	6.6	8.4	12.0	1.6	1000
1040100900VR	M8	6.6	8.4	18.0	1.5	1000
1348395	M10	8.2	10.5	20.0	2.0	1000
1040110900VR	M10	8.2	10.5	22.0	2.0	1000
1040290900VR	M10	8.2	10.5	24.0	2.0	1000
1040140900VR	M12	10.7	13.0	24.0	2.5	500
1348397	M12	10.7	13.0	27.0	2.5	500
1040130900VR	M16	13.6	17.0	32.0	3.0	250

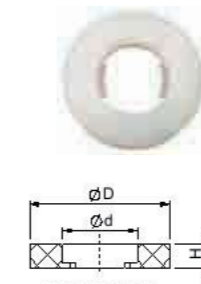
Anti-Loss Washers

Anti-Loss Washers

SR 1940

Natural Nylon 6.6

- Insulate against moisture and electricity
- Resist corrosion, abrasion and most chemicals
- Provide full insulation, cushioning and spacing

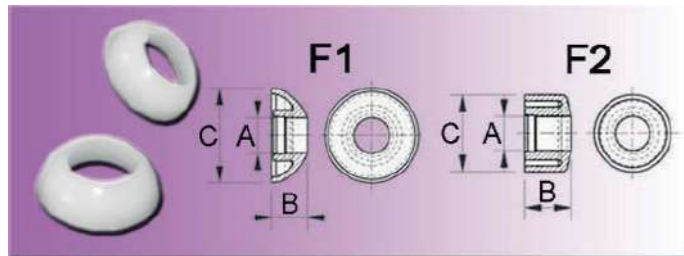


Part Number	Size	Dimensions (mm)			Standard Pack Quantity
		d	D	H	
041025000001	--	2.7	5.0	1.0	1000
031025000001	M2	2.7	5.0	1.5	1000
031030000001	M3	3.2	5.5	2.2	1000
041030000001	--	3.2	6.0	1.0	1000

Part Number	Size	Dimensions (mm)				Standard Pack Quantity
		d	D	H		
003030000001	M3	3.2	7.0	1.4	1000	
032030000001	M3	3.2	9.0	1.5	1000	
033030000001	M3	3.2	15.0	1.5	500	
031040000001	M4	4.3	7.0	2.3	1000	
041040000001	--	4.3	8.0	1.0	1000	
003040000001	M4	4.3	9.0	1.4	1000	
032040000001	M4	4.3	12.0	1.4	1000	
033040000001	M4	4.3	18.0	2.0	500	
031050000001	M5	5.3	8.5	2.8	1000	
003050000001	M5	5.3	11.5	1.4	1000	
032050000001†	M5	5.3	15.0	1.5	500	
031060000001	M6	6.4	10.0	2.8	1000	
032060000001†	M6	6.4	18.0	2.0	500	
003100000001*	M10	10.5	21.0	2.5	500	
031080000001	M8	8.4	13.0	2.8	500	
041080000001	M8	8.4	15.0	1.5	500	
033080000001	M8	8.4	40.0	3.0	100	

\*DIN 125 †DIN 9021

Retaining washers of plastic | Quick-locking rings



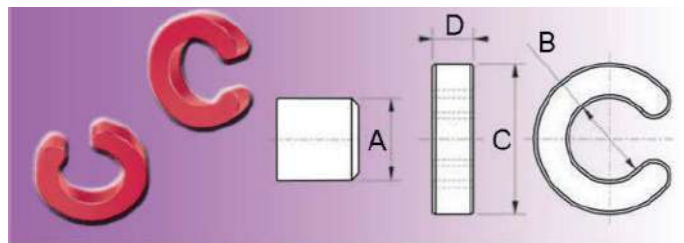
For plane shafts and bolts. Easy to mount. Replace screws and split pins.

Material: POM  
Colour: natural

Part no.	A	B	C	F
0110030	3	5,0	12,5	1
0110040	4	5,5	14,5	1
0110050	5	5,1	14,5	1
0110061	6	8,0	13,0	2
0110060	6	6,0	16,0	1

Part no.	A	B	C	F
0110071	7	8,0	13,0	2
0110080	8	5,5	16,0	1
0110100	10	7,5	21,0	1
0110120	12	7,5	21,0	1

Retaining washers of plastic | Centre fixing rings



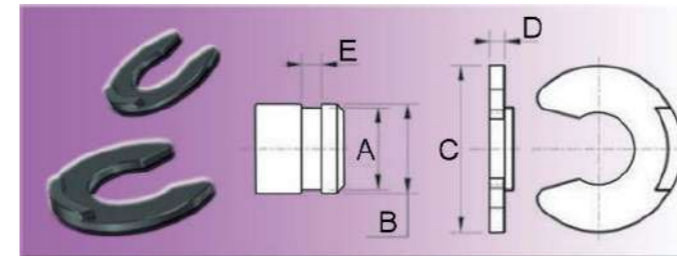
Excellent for retaining lightweight objects e.g. paper rolls, knurls, spools etc.  
Easy to mount and adjust - constant clamping effect.

Material: POM  
Colour: red

Part no.	A	B	C	D
0111030	3	2,5	6,0	2,0
0111040	4	3,5	7,5	2,5
0111050	5	4,5	9,0	2,5
0111060	6	5,3	11,0	3,0

Part no.	A	B	C	D
0111080	8	7,0	13,0	3,0
0111100	10	9,0	16,0	3,5
0111120	12	11,0	19,0	4,0

Retaining washers of plastic | Retaining rings



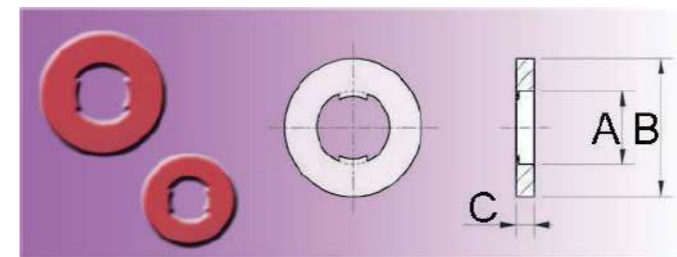
For shafts and bolts with groove. Easy to mount without tools.  
Resistant to high axial pressure!

Material: POM  
Colour: black

Part no.	A	B	C	D	E
0112023	2,3	3-4	6,0	1,0	1,05
0112032	3,2	4-5	7,0	1,0	1,05
0112040	4,0	5-7	9,0	1,1	1,15
0112050	5,0	6-8	11,0	1,1	1,15

Part no.	A	B	C	D	E
0112060	6,0	7-11	14,0	1,3	1,35
0112070	7,0	8-11	14,0	1,3	1,35
0112090	9,0	10-14	18,5	1,4	1,5
0112120	12,0	13-18	23,0	1,6	1,7

Retaining washers of plastic | Captive washers red



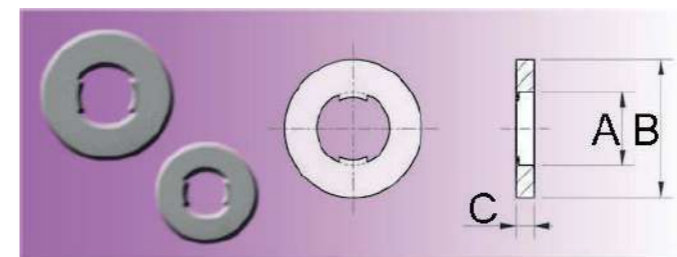
Specially developed for retaining screws and bolts during the assembly.  
Suitable for the pre-assembly of bolts without nuts.

Material: LDPE  
Colour: red

Part no.	A	B	C	M	WW
0150025	2,7	6,5	1,1	2,5	3/32"
0150030	3,2	7,0	1,4	3,0	1/8"
0150040	4,3	9,0	1,1	4,0	5/32"

Part no.	A	B	C	M	WW
0150050	5,3	11,0	1,3	5,0	3/16"
0150060	6,4	12,0	1,6	6,0	1/4"
0150080	8,4	17,0	2,0	8,0	5/16"

Retaining washers of plastic | Captive washers grey



Specially developed for retaining screws and bolts during the assembly.  
Suitable for the pre-assembly of bolts without nuts.

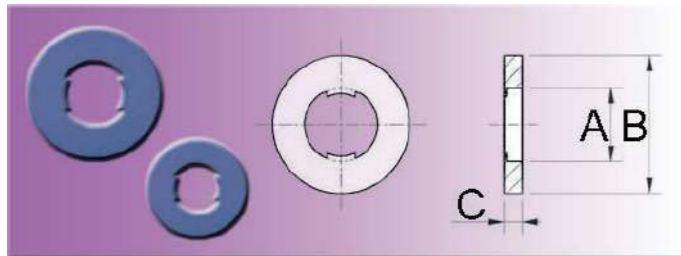
Material: LDPE  
Colour: grey

Part no.	A	B	C	M	WW
0151025	2,7	5,0	1,5	2,5	3/32"
0151030	3,2	5,5	2,1	3,0	1/8"
0151040	4,3	7,0	2,2	4,0	5/32"

Part no.	A	B	C	M	WW
0151050	5,3	8,5	2,7	5,0	3/16"
0151060	6,4	10,0	2,7	6,0	1/4"
0151080	8,4	13,0	2,7	8,0	5/16"



Retaining washers of plastic | Captive washers blue



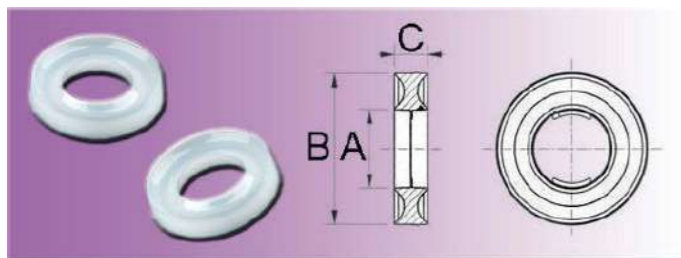
Specially developed for retaining screws and bolts during the assembly.  
Suitable for the pre-assembly of bolts without nuts.

Material: LDPE  
Colour: blue

Part no.	A	B	C	M	WW
0152025	2,7	5	1,0	2,5	3/32"
0152030	3,2	6	1,0	3,0	1/8"
0152040	4,3	8	1,0	4,0	5/32"
0152050	5,3	10	1,0	5,0	3/16"

Part no.	A	B	C	M	WW
0152060	6,4	11	1,5	6,0	¼"
0152080	8,4	15	1,5	8,0	5/16"
0152100	10,5	18	1,5	10,0	3/8"

Retaining washers of plastic | Screw retaining washers - for hexagon socket screws



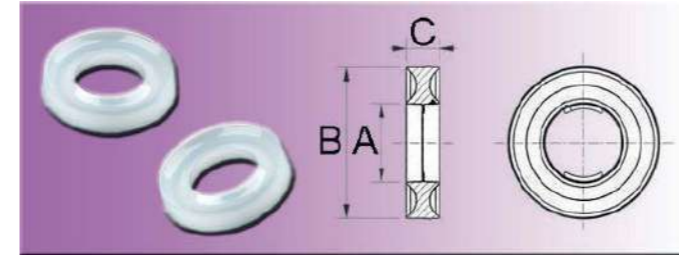
Appropriate for retaining screws and bolts.  
Avoid rust and corrosion damage due to perfect sealing and insulation.

Material: PA  
Colour: natural

Part no.	A	B	C	M	WW
0161040	4,2	8,0	2,5	4	5/32"
0161050	5,2	10,0	2,8	5	3/16"
0161060	6,2	10,7	3,0	6	-
0161080	8,2	14,0	3,7	8	5/16"

Part no.	A	B	C	M	WW
0161100	10,2	16,0	4,2	10	3/8"
0161120	12,2	20,0	5,0	12	7/16"
0161140	<i>NO LONGER AVAILABLE!</i>				
0161160	16,2	25,0	6,0	16	5/8"

Retaining washers of plastic | Screw retaining washers - for hexagon head screws



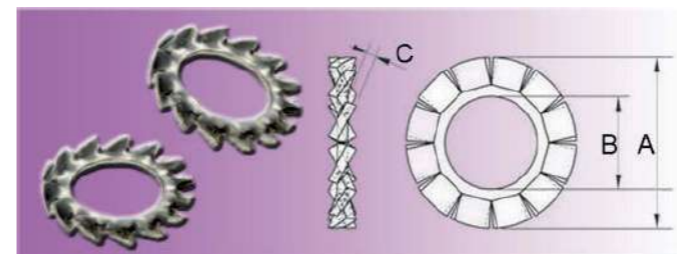
Appropriate for retaining screws and bolts.  
Avoid rust and corrosion damage due to perfect sealing and insulation.

Material: PA  
Colour: natural

Part no.	A	B	C	M	WW
0160020	2,1	5,0	2,0	2,0	5/64"
0160025	2,6	6,0	2,2	2,5	3/32"
0160030	3,1	8,0	2,5	3,0	1/8"
0160040	4,2	10,0	2,8	4,0	5/32"
0160120	12,2	24,0	5,2	12,0	7/16"
0160140	14,2	26,0	5,6	14,0	-

Part no.	A	B	C	M	WW
0160050	5,2	10,7	3,0	5,0	3/16"
0160060	6,2	12,7	3,8	6,0	-
0160080	8,2	16,2	4,2	8,0	5/16"
0160100	10,2	20,0	5,0	10,0	3/8"
0160160	16,2	30,0	5,9	16,0	5/8"
0160200	20,3	36,0	6,8	20,0	¾"

Retaining washers of metal | Retaining rings



Locking washers - metal  
Developed for securing screws, bolts and nuts

Material:  
machining steel (final digits 52)  
stainless steel (final digits 53)

Part no.	A	B	C
344020053	4,5	2,3	0,3
344025053	5,0	2,8	0,4
344030052	6,0	3,1	0,4
344030053	6,0	3,1	0,4

Part no.	A	B	C
344040052	8,0	4,1	0,5
344040053	8,0	4,1	0,5
344050052	9,2	5,1	0,6
344050053	9,2	5,1	0,6

Part no.	A	B	C
344060052	11,0	6,1	0,7
344060053	11,0	6,1	0,7
344080052	14,0	8,2	0,8
344080053	14,0	8,2	0,8

Cup washers

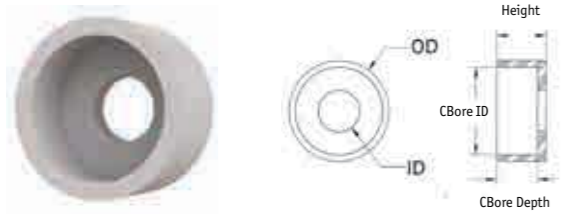
Locking and Sealing Washers

Spacers | bushings | PA

Cup Washers

SR K-0016  
Natural PA 6.6

- Protect the head of a metal screw from electrical contact
- Accommodate the most common screw head-styles including: Cheese, Pan, Fillister



Part Number	Dimensions (mm)					Standard Pack Quantity
	OD	CBore ID	ID	CBore Depth	Height	
16CW004257	7.74	6.22	2.92	5.51	6.52	1000
16CW004040	7.76	6.22	2.92	2.97	3.99	1000
16CW006040	9.14	7.62	3.56	3.61	4.62	1000
16CW008040	10.52	8.99	4.34	4.22	5.23	1000
16CW008042	12.62	9.88	4.75	2.36	3.53	1000
16CW008041	10.52	8.99	4.34	3.3	4.32	1000
16CW008043	8.71	7.13	4.36	4.62	5.53	1000
16CW010030	14.43	9.53	5.11	3.23	3.99	1000
16CW010040	11.94	10.41	4.93	4.83	5.85	1000
16CW250250	25.4	12.7	6.6	3.81	5.03	500
16CW250040	15.11	13.59	6.53	6.27	7.29	500
16CW250042	13.48	11.81	6.58	16.51	19.98	1000
16CW312050	12.7	10.16	8.12	3.09	4.31	1000
16CW312375	22.23	15.88	8.74	6.35	9.53	500
16CW312500	22.23	15.88	8.74	9.6	12.7	500
16CW375225	25.4	19.05	9.65	3.18	5.72	500
16CW437520	27.78	19.96	11.09	4.97	13.48	500

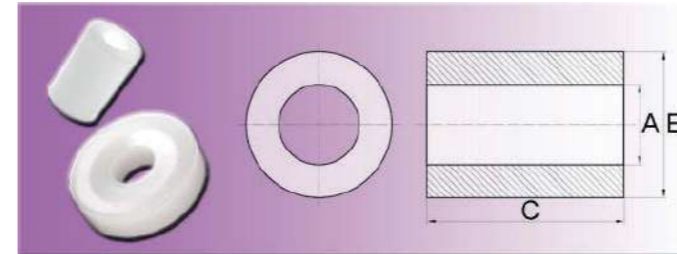
Locking and Sealing Washers

SR K-0009  
Natural PA 6.6



Part Number	Type	Screw Size	Dimensions (mm)					Standard Pack Quantity
			B	D	A	C	T	
16MLSW030070070	Locking	M3	3.1	-	7.0	0.7	1.4	1000
16MLSW040090125	Locking	M4	4.15	-	9.0	1.3	1.3	1000
16MLSW050104140	Locking	M5	5.15	-	10.4	1.4	3.5	1000
16MLSW060120160	Locking	M6	6.1	-	12.0	1.6	4.0	1000
16MLSW080158210	Locking	M8	8.1	-	15.8	2.1	4.6	500
16MLSW100196210	Locking	M10	10.0	-	19.6	2.1	5.3	500
16MLSW140252250	Locking	M14	14.0	-	25.2	2.5	5.5	1000
16MLSW042090120	Locking	M4,2	4.2	4.2	9.0	1.2	3.0	1000
16MLSW048100150	Sealing	M4,8	4.8	4.8	10.0	1.5	3.2	1000
16MLSW060125150	Sealing	M6	6.3	6.3	12.5	1.5	2.8	1000
16MLSW080160160	Sealing	M8	8.2	8.2	16.0	1.6	3.1	500
16MLSW103150200*	Sealing	-	10.3	9.45	15.0	2.0	4.0	1000
16MLSW132190250*	Sealing	-	13.2	12.2	19.0	2.5	4.5	500

\*Whitworth Tapered Pipe Thread



Material: PA  
Colour: natural

Further types on written request.

Part no.	A	B	C	Part no.	A	B	C	Part no.	A	B	C
0052000	2,6	4	2,0	0053242	3,2	6	12,0	0054280	4,2	8	10,0
0052030	2,6	4	3,0	0053260	3,2	6	15,0	0054292	4,3	8	12,0
0052060	2,6	4	5,0	0053278	3,2	6	18,0	0054310	4,2	8	15,0
0052090	2,6	4	7,5	0053290	3,2	6	20,0	0054328	4,3	8	18,0
0052120	2,6	4	10,0	0053320	3,2	6	25,0	0054340	4,3	8	20,0
0052150	2,6	4	15,0	0053350	3,1	6	30,0	0054370	4,2	8	25,0
0052180	2,6	4	20,0	0053480	3,2	8	3,0	0054400	4,2	8	30,0
0052210	2,6	4	25,0	0053510	3,2	8	5,0	0054410	4,2	8	35,0
0052240	2,6	4	30,0	0053540	3,2	8	7,5	0054420	4,2	8	40,0
0052370	2,6	5	2,0	0053570	3,2	8	10,0	0054530	5,3	10	3,0
0052400	2,6	5	3,0	0053600	3,2	8	15,0	0054545	5,3	10	4,0
0052430	2,6	5	5,0	0053630	3,2	8	20,0	0054560	5,3	10	5,0
0052520	2,6	5	15,0	0053660	3,2	8	25,0	0054590	5,3	10	7,5
0052550	2,6	5	20,0	0053690	3,2	8	30,0	0054596	5,3	10	8,0
0052580	2,6	5	25,0	0053820	3,6	6	2,0	0054620	5,3	10	10,0
0052610	2,6	5	30,0	0053850	3,6	6	3,0	0054632	5,3	10	12,0
0052740	3,2	5	2,0	0053865	3,6	6	4,0	0054650	5,3	10	15,0
0052770	3,2	5	3,0	0053880	3,6	6	5,0	0054668	5,3	10	18,0
0052800	3,2	5	5,0	0053910	3,6	6	7,5	0054680	5,3	10	20,0
0052830	3,1	5	7,5	0053916	3,6	6	8,0	0054710	5,3	10	25,0
0052860	3,2	5	10,0	0053940	3,6	6	10,0	0054740	5,3	10	30,0
0052890	3,2	5	15,0	0053952	3,6	6	12,0	0054870	6,4	10	3,0
0052920	3,2	5	20,0	0053970	3,6	6	15,0	0054900	6,4	10	5,0
0052950	3,2	5	25,0	0053988	3,6	6	18,0	0054930	6,4	10	7,5
0052980	3,2	5	30,0	0054000	3,6	6	20,0	0054960	6,4	10	10,0
0053110	3,2	6	2,0	0054030	3,6	6	25,0	0054990	6,4	10	15,0
0053140	3,2	6	3,0	0054060	3,6	6	30,0	0055020	6,4	10	20,0
0053155	3,2	6	4,0	0054190	4,3	8	3,0	0055050	6,4	10	25,0
0053170	3,2	6	5,0	0054205	4,3	8	4,0	0055080	6,4	10	30,0
0053182	3,2	6	6,0	0054220	4,3	8	5,0	0055210	6,4	15	3,0
0053200	3,2	6	7,5	0054232	4,3	8	6,0	0055240	6,4	15	5,0
0053206	3,2	6	8,0	0054250	4,2	8	7,5	0055270	6,4	15	7,5
0053230	3,2	6	10,0	0054256	4,3	8	8,0	0055300	6,4	15	10,0

Retaining washers of plastic | Spring Washers

Spring Washers

SR K-0017  
Natural Acetal

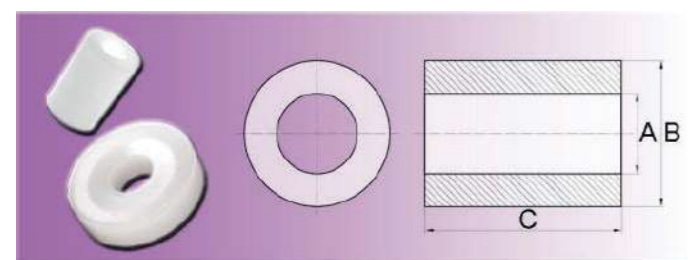
- Electrical and thermal insulating and corrosion resistant
- May be used singly in parallel, in series or in series parallel for a wide range of deflection and load capacity



Part Number	Screw Size	Dimensions (mm)					Standard Pack Quantity
		OD	ID	Height	Thickness	Max. Ref Compressed OD	
17SPRINGW100	M3,5	8.03	3.86	1.14	0.69	8.38	1000
17SPRINGW200	M4	7.54	4.39	1.17	0.79	7.87	1000
17SPRINGW300	M5	9.27	5.18	1.35	0.76	9.45	1000
17SPRINGW320	M5	10.57	5.97	1.57	0.89	10.92	1000
17SPRINGW360	M6	11.37	7.01	1.57	0.89	12.31	1000
17SPRINGW400	M6	14.33	6.71	1.68	0.97	14.71	1000
17SPRINGW500	M8	16.76	8.33	2.03	1.22	17.27	1000
17SPRINGW600	M10	21.54	11.46	2.41	1.4	21.97	1000
17SPRINGW650	M10	21.54	11.46	2.03	0.99	21.97	1000

Part no.	A	B	C	Part no.	A	B	C	Part no.	A	B	C
0055330	6,4	15	15,0	0056290	10,5	15	7,5	0057400	12,6	25	5,0
0055360	6,4	15	20,0	0056320	10,5	15	10,0	0057430	12,6	25	10,0
0055390	6,4	15	25,0	0056350	10,5	15	15,0	0057460	12,6	25	15,0
0055420	6,4	15	30,0	0056380	10,5	15	20,0	0057490	12,6	25	20,0
0055550	8,2	12	3,0	0056410	10,5	15	25,0	0057520	12,6	25	25,0
0055580	8,2	12	5,0	0056440	10,5	15	30,0	0057550	12,6	25	30,0
0055610	8,2	12	7,5	0056460	10,3	15	40,0	0057580	12,6	25	35,0
0055640	8,2	12	10,0	0056600	10,5	22	5,0	0057610	12,6	25	40,0
0055670	8,2	12	15,0	0056630	10,5	22	10,0	0057640	12,6	25	45,0
0055700	8,2	12	20,0	0056690	10,5	22	15,0	0057670	12,5	25	50,0
0055730	8,2	12	25,0	0056710	10,5	22	20,0	0058196	16,5	25	5,0
0055760	8,2	12	30,0	0056750	10,5	22	25,0	0058216	16,5	25	10,0
0055780	8,2	12	35,0	0056780	10,5	22	30,0	0058236	16,5	25	15,0
0055800	8,2	12	40,0	0056810	10,5	22	35,0	0058256	16,5	25	20,0
0055890	8,4	18	3,0	0056840	10,6	22	40,0	0058276	16,5	25	25,0
0055920	8,4	18	5,0	0056870	10,3	22	45,0	0058296	16,5	25	30,0
0055950	8,4	18	8,0	0056900	10,6	22	50,0	0058316	16,5	25	35,0
0055980	8,4	18	10,0	0057030	12,8	18	3,0	0058336	16,5	25	40,0
0056010	8,4	18	15,0	0057060	12,8	18	5,0	0058356	16,5	25	45,0
0056040	8,4	18	20,0	0057090	12,8	18	7,5	0058376	16,5	25	50,0
0056070	8,4	18	25,0	0057120	12,8	18	10,0	0058396	16,5	25	55,0
0056100	8,4	18	30,0	0057150	12,8	18	15,0	0058416	16,5	25	60,0
0056110	8,2	18	40,0	0057180	12,8	18	20,0	0058436	16,5	25	65,0
0056230	10,5	15	3,0	0057210	12,8	18	25,0				
0056260	10,4	15	5,0	0057240	12,8	18	30,0				

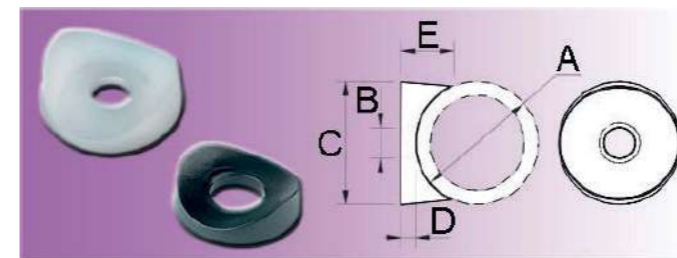
Spacers | bushings | POM



Material: POM  
Colour: natural  
Further types on written request.

Part no.	A	B	C	Part no.	A	B	C	Part no.	A	B	C
0051500	no longer available			0051548	2,2	4	10,0	0051638	2,2	4	25,0
0051506	2,2	4	3,0	0051560	2,2	4	12,0	0051668	2,2	4	30,0
0051512	2,2	4	4,0	0051578	2,2	4	15,0	0052460	2,6	5	7,5
0051518	2,2	4	5,0	0051596	2,2	4	18,0	0052490	2,6	5	10,0
0051536	2,2	4	8,0	0051608	2,2	4	20,0				

Spacers | bushings | Saddle washers

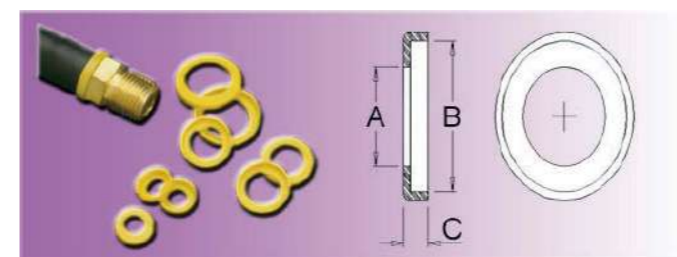


Self-lubricating polyamide, ideal for pivotal points.

Material: PA 6  
Colour:  
without last digits = natural  
last digits 599 = black

Part no.	A	B	C	D	E	Part no.	A	B	C	D	E
1020110	9-11	3,3	10,0	2,0	4,2	1020250	24-26	6,2	25,0	3,1	10,0
1020110599	9-11	3,3	10,0	2,0	4,2	1020250599	24-26	6,2	25,0	3,1	10,0
1020130	12-14	4,2	13,0	2,2	5,5	1020260	24-26	8,3	25,0	3,1	10,0
1020130599	12-14	4,2	13,0	2,2	5,5	1020260599	24-26	8,3	25,0	3,1	10,0
1020140	12-14	5,2	13,0	2,2	5,5	1020280	27-29	6,2	28,0	3,3	11,0
1020140599	12-14	5,2	13,0	2,2	5,5	1020280599	27-29	6,2	28,0	3,3	11,0
1020160	15-17	5,0	16,0	2,4	6,8	1020290	27-29	8,3	28,0	3,3	11,0
1020160599	15-17	5,0	16,0	2,4	6,8	1020290599	27-29	8,3	28,0	3,3	11,0
1020190	18-20	5,2	19,0	2,7	8,0	1020320	30-34	8,3	32,0	3,4	12,0
1020190599	18-20	5,2	19,0	2,7	8,0	1020320599	30-34	8,3	32,0	3,4	12,0
1020200	18-20	6,2	19,0	2,7	8,0	1020330	30-34	10,4	32,0	3,4	12,0
1020200599	18-20	6,2	19,0	2,7	8,0	1020330599	30-34	10,4	32,0	3,4	12,0
1020220	21-23	5,2	22,0	3,0	9,0	1020550	50-60	6,6	40,0	5,0	12,0
1020220599	21-23	5,2	22,0	3,0	9,0	1020550599	50-60	6,6	40,0	5,0	12,0
1020230	21-23	6,2	22,0	3,0	9,0	1020560	50-60	16,5	40,0	5,0	12,0
1020230599	21-23	6,2	22,0	3,0	9,0	1020560599	50-60	16,5	40,0	5,0	12,0
1020240	21-23	8,2	22,0	3,0	9,0	1020570	50-60	10,4	40,0	5,0	12,0
1020240599	21-23	8,2	22,0	3,0	9,0	1020570599	50-60	10,4	40,0	5,0	12,0

Spacers | bushings | Coding rings with flange



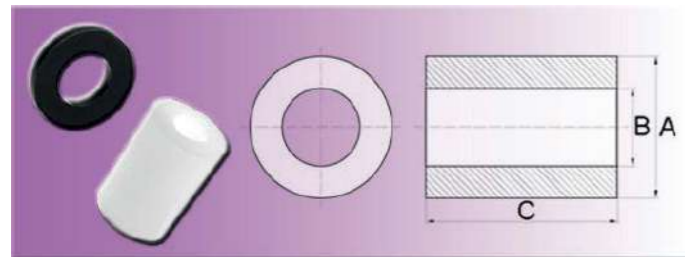
Washers with flange

Wall thickness: 8.13 mm  
Material: LDPE  
Colour: yellow

Discontinued item - available as long as stocks last!

Part no.	A	B	C	Part no.	A	B	C	Part no.	A	B	C
0840006	8,23	14,86	4,37	0840008	11,43	19,69	4,37	0840013	no longer available!		
0840007	no longer available!			0840010	14,74	22,23	4,37	0840015	no longer available!		

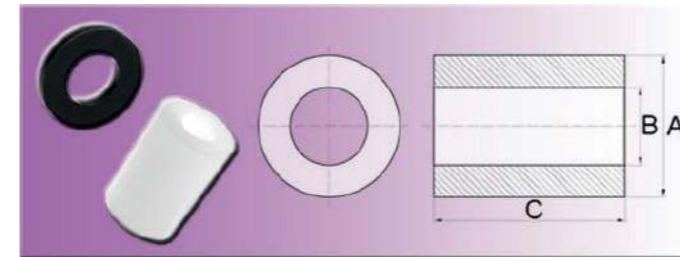
Spacers of PA | with outer  $\varnothing$  10 mm



X = length (see column C)  
 Manufacturing range in steps of 1 mm. Please indicate the desired length as X.  
 Material: PA 6  
 Colour: natural / black / white (please mention in case of order)  
 Minimum order quantity: 1,000 pcs per order and dimension  
 Manufacturing time: approx. 10 workdays

Part no.	A	B	C	Part no.	A	B	C
05-10-4,4-X	10	4,4	1-35	05-10-6,4-X	10	6,4	1-35
05-10-5,3-X	10	5,3	1-35	05-10-8,4-X	10	8,4	1-35

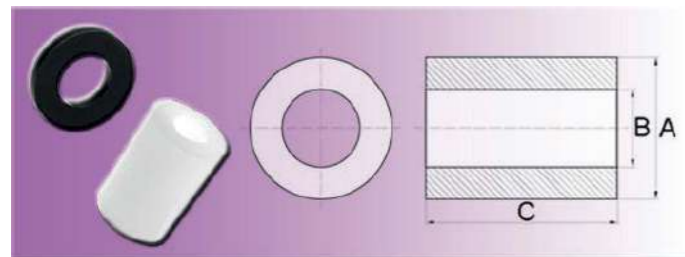
Spacers of PA | with outer  $\varnothing$  16 mm



X = length (see column C)  
 Manufacturing range in steps of 1 mm. Please indicate the desired length as X.  
 Material: PA 6  
 Colour: natural / black / white (please mention in case of order)  
 Minimum order quantity: 1,000 pcs per order and dimension  
 Manufacturing time: approx. 10 workdays

Part no.	A	B	C	Part no.	A	B	C
05-16-5,3-X	16	5,3	1-35	05-16-6,4-X	16	6,4	1-35

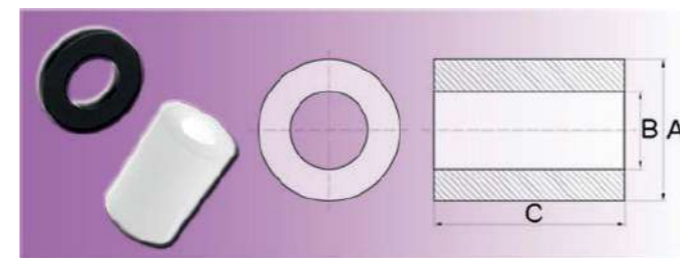
Spacers of PA | with outer  $\varnothing$  12 mm



X = length (see column C)  
 Manufacturing range in steps of 1 mm. Please indicate the desired length as X.  
 Material: PA 6  
 Colour: natural / black / white (please mention in case of order)  
 Minimum order quantity: 1,000 pcs per order and dimension  
 Manufacturing time: approx. 10 workdays

Part no.	A	B	C	Part no.	A	B	C
05-12-4,4-X	12	4,4	1-35	05-12-6,4-X	12	6,4	1-35
05-12-5,3-X	12	5,3	1-35	05-12-8,4-X	12	8,4	1-35

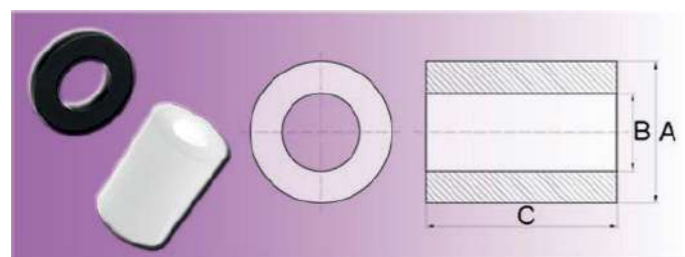
Spacers of PA | with outer  $\varnothing$  18 mm



X = length (see column C)  
 Manufacturing range in steps of 1 mm. Please indicate the desired length as X.  
 Material: PA 6  
 Colour: natural / black / white (please mention in case of order)  
 Minimum order quantity: 1,000 pcs per order and dimension  
 Manufacturing time: approx. 10 workdays

Part no.	A	B	C	Part no.	A	B	C
05-18-5,3-X	18	5,3	1-35	05-18-8,4-X	18	8,4	1-35
05-18-6,4-X	18	6,4	1-35	05-18-10,5-X	18	10,5	1-35

Spacers of PA | with outer  $\varnothing$  15.5 mm

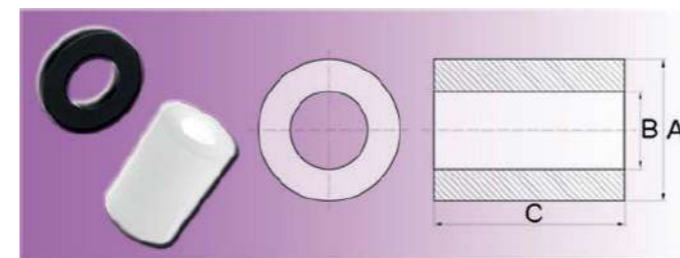


X = length (see column C)  
 Manufacturing range in steps of 1 mm. Please indicate the desired length as X.  
 Material: PA 6  
 Colour: natural / black / white (please mention in case of order)  
 Minimum order quantity: 1,000 pcs per order and dimension  
 Manufacturing time: approx. 10 workdays

A production as concave discs is possible on request!

Part no.	A	B	C	Part no.	A	B	C	Part no.	A	B	C
05-15,5-5,3-X	15,5	5,3	1-35	05-15,5-7,3-X	15,5	7,3	1-35	05-15,5-10,5-X	15,5	10,5	1-35
05-15,5-6,4-X	15,5	6,4	1-35	05-15,5-8,4-X	15,5	8,4	1-35				

Spacers of PA | with outer  $\varnothing$  20 mm

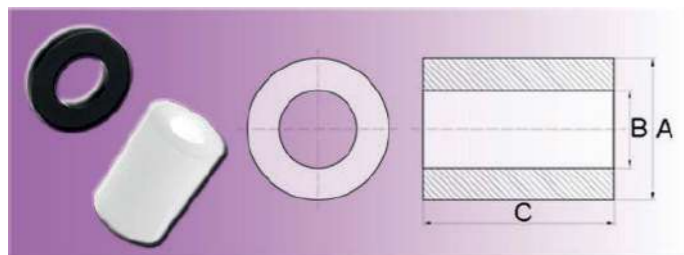


X = length (see column C)  
 Manufacturing range in steps of 1 mm. Please indicate the desired length as X.  
 Material: PA 6  
 Colour: natural / black / white (please mention in case of order)  
 Minimum order quantity: 1,000 pcs per order and dimension  
 Manufacturing time: approx. 10 workdays

A production as concave discs is possible on request!

Part no.	A	B	C	Part no.	A	B	C	Part no.	A	B	C
05-20-5,3-X	20	5,3	1-35	05-20-8,4-X	20	8,4	1-35	05-20-12,5-X	20	12,6	1-35
05-20-6,4-X	20	6,4	1-35	05-20-10,5-X	20	10,5	1-35				
05-20-7,3-X	20	7,3	1-35	05-20-11,3-X	20	11,3	1-35				

Spacers of PA | with outer  $\varnothing$  22 mm

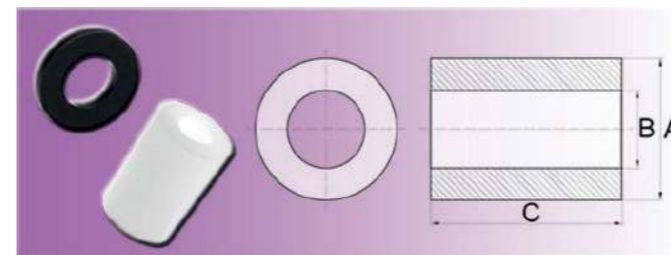


X = length (see column C)  
 Manufacturing range in steps of 1 mm. Please indicate the desired length as X.  
 Material: PA 6  
 Colour: natural / black / white (please mention in case of order)  
 Minimum order quantity: 1,000 pcs per order and dimension  
 Manufacturing time: approx. 10 workdays

A production as concave discs is possible on request!

Part no.	A	B	C	Part no.	A	B	C	Part no.	A	B	C
05-22-5,3-X	22	5,3	1-35	05-22-8,4-X	22	8,4	1-35	05-22-12,5-X	22	12,6	1-35
05-22-6,4-X	22	6,4	1-35	05-22-10,5-X	22	10,5	1-35	05-22-15,5-X	22	15,6	1-35

Spacers of PA | with outer  $\varnothing$  28 mm

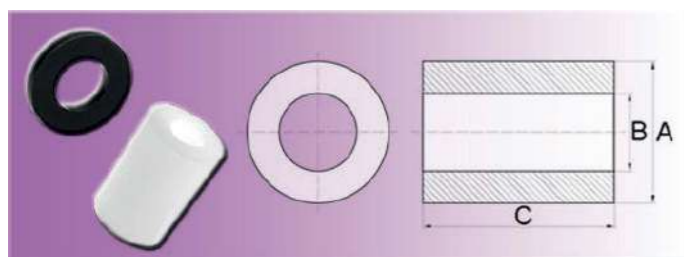


X = length (see column C)  
 Manufacturing range in steps of 1 mm. Please indicate the desired length as X.  
 Material: PA 6  
 Colour: natural / black / white (please mention in case of order)  
 Minimum order quantity: 1,000 pcs per order and dimension  
 Manufacturing time: approx. 10 workdays

A production as concave discs is possible on request!

Part no.	A	B	C	Part no.	A	B	C	Part no.	A	B	C
05-28-5,3-X	28	5,3	1-35	05-28-10,5-X	28	10,5	1-35	05-28-14,6-X	28	14,6	1-35
05-28-6,4-X	28	6,4	1-35	05-28-11,3-X	28	11,3	1-35	05-28-21-X	28	21,0	1-35
05-28-8,4-X	28	8,4	1-35	05-28-12,5-X	28	12,6	1-35				

Spacers of PA | with outer  $\varnothing$  24 mm

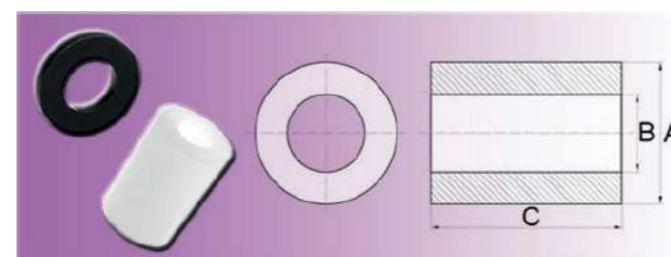


X = length (see column C)  
 Manufacturing range in steps of 1 mm. Please indicate the desired length as X.  
 Material: PA 6  
 Colour: natural / black / white (please mention in case of order)  
 Minimum order quantity: 1,000 pcs per order and dimension  
 Manufacturing time: approx. 10 workdays

A production as concave discs is possible on request!

Part no.	A	B	C	Part no.	A	B	C	Part no.	A	B	C
05-24-5,3-X	24	5,3	1-35	05-24-10,5-X	24	10,5	1-35	05-24-14,5-X	24	14,6	1-35
05-24-6,4-X	24	6,4	1-35	05-24-12,5-X	24	12,6	1-35	05-24-16,5-X	24	16,5	1-35
05-24-8,4-X	24	8,4	1-35	05-24-13,5-X	24	13,6	1-35				

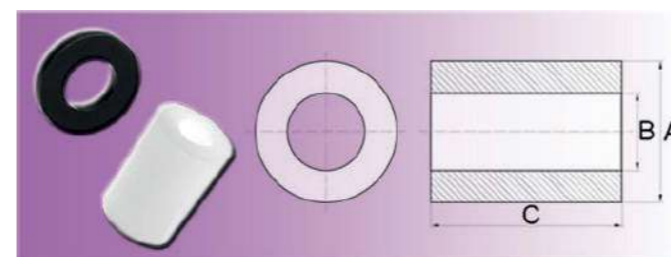
Spacers of PA | with outer  $\varnothing$  30 mm



X = length (see column C)  
 Manufacturing range in steps of 1 mm. Please indicate the desired length as X.  
 Material: PA 6  
 Colour: natural / black / white (please mention in case of order)  
 Minimum order quantity: 1,000 pcs per order and dimension  
 Manufacturing time: approx. 10 workdays

Part no.	A	B	C	Part no.	A	B	C
05-30-14,6-X	30	14,6	1-35	05-30-21-X	30	21,0	1-35

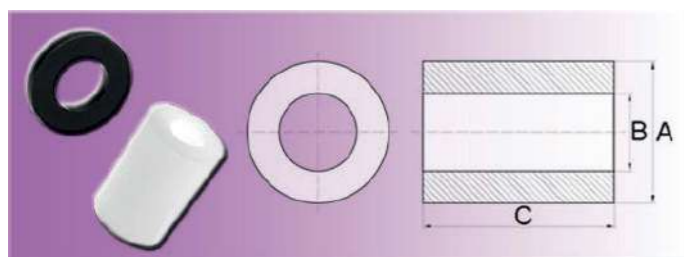
Spacers of PA | with outer  $\varnothing$  32 mm



X = length (see column C)  
 Manufacturing range in steps of 1 mm. Please indicate the desired length as X.  
 Material: PA 6  
 Colour: natural / black / white (please mention in case of order)  
 Minimum order quantity: 1,000 pcs per order and dimension  
 Manufacturing time: approx. 10 workdays

Part no.	A	B	C	Part no.	A	B	C
05-32-8,4-X	32	8,4	1-35	05-32-10,5-X	32	10,5	1-35

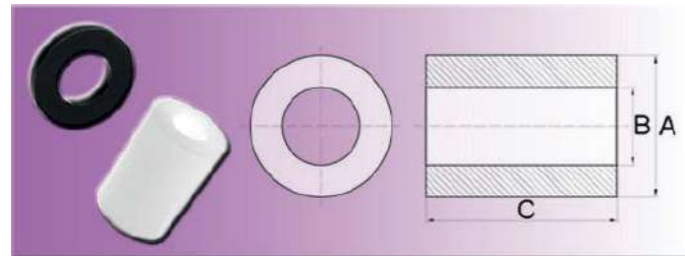
Spacers of PA | with outer  $\varnothing$  26 mm



X = length (see column C)  
 Manufacturing range in steps of 1 mm. Please indicate the desired length as X.  
 Material: PA 6  
 Colour: natural / black / white (please mention in case of order)  
 Minimum order quantity: 1,000 pcs per order and dimension  
 Manufacturing time: approx. 10 workdays

Part no.	A	B	C	Part no.	A	B	C
05-26-11,3-X	26	11,3	1-35	05-26-16,5-X	26	16,5	1-35
05-26-12,6-X	26	12,6	1-35	05-26-17,3-X	26	17,3	1-35

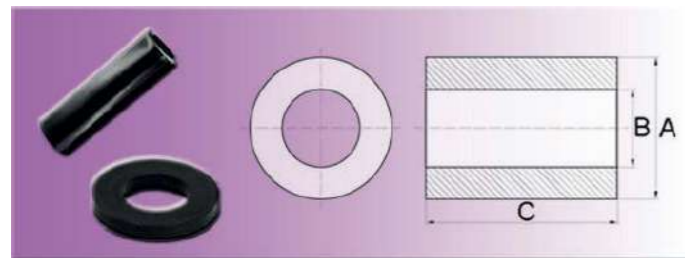
Spacers of PA | with outer  $\varnothing$  40 mm



X = length (see column C)  
 Manufacturing range in steps of 1 mm. Please indicate the desired length as X.  
 Material: PA 6  
 Colour: natural / black / white (please mention in case of order)  
 Minimum order quantity: 1,000 pcs per order and dimension  
 Manufacturing time: approx. 10 workdays

Part no.	A	B	C	Part no.	A	B	C
05-40-8,4-X	40	8,4	1-35	05-40-28,4-X	40	28,4	1-35
05-40-25,5-X	40	25,5	1-35	05-40-30,4-X	40	30,4	1-35

Spacers of PA-glass fibre reinforced | with outer  $\varnothing$  4 mm

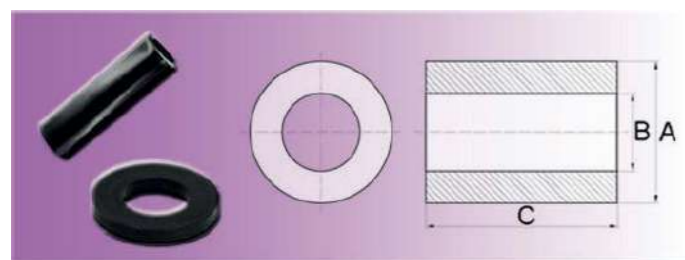


X = length (see column C)  
 Manufacturing range in steps of 1 mm. Please indicate the desired length as X.  
 Material: PA-GV (glass fibre reinforced), temperature-resistant up to approx. 110°C  
 Colour: black  
 Minimum order quantity: 1,000 pcs per order and dimension  
 Manufacturing time: approx. 10 workdays

All spacers can also be supplied in polystyrene (natural) and PA-GV (white) on request!

Part no.	A	B	C	Part no.	A	B	C	Part no.	A	B	C
002-4-1-X	4	1,0	2-5	002-4-2,2-X	4	2,2	2-40	002-4-3-X	4	3,0	2-19

Spacers of PA-glass fibre reinforced | with outer  $\varnothing$  5 mm

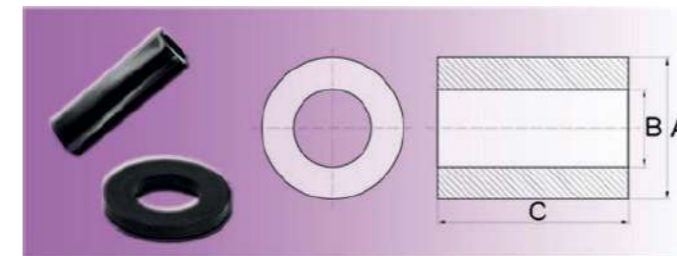


X = length (see column C)  
 Manufacturing range in steps of 1 mm. Please indicate the desired length as X.  
 Material: PA-GV (glass fibre reinforced), temperature-resistant up to approx. 110°C  
 Colour: black  
 Minimum order quantity: 1,000 pcs per order and dimension  
 Manufacturing time: approx. 10 workdays

All spacers can also be supplied in polystyrene (natural) and PA-GV (white) on request!

Part no.	A	B	C	Part no.	A	B	C	Part no.	A	B	C
002-5-2,2-X	5	2,2	2-45	002-5-2,7-X	5	2,7	2-40	002-5-3,2-X	5	3,2	2-40

Spacers of PA-glass fibre reinforced | with outer  $\varnothing$  6 mm

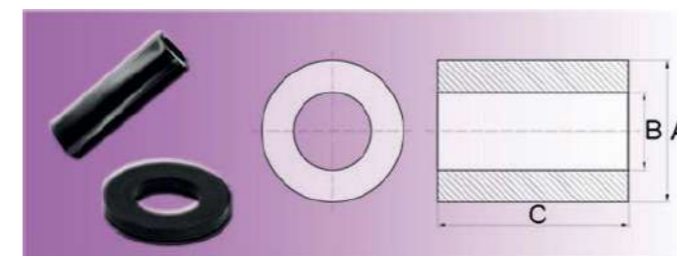


X = length (see column C)  
 Manufacturing range in steps of 1 mm. Please indicate the desired length as X.  
 Material: PA-GV (glass fibre reinforced), temperature-resistant up to approx. 110°C  
 Colour: black  
 Minimum order quantity: 1,000 pcs per order and dimension  
 Manufacturing time: approx. 10 workdays

All spacers can also be supplied in polystyrene (natural) and PA-GV (white) on request!

Part no.	A	B	C	Part no.	A	B	C	Part no.	A	B	C
002-6-2,2-X	6	2,2	2-50	002-6-3,2-X	6	3,2	2-50	002-6-4,1-X	6	4,1	2-50
002-6-2,7-X	6	2,7	2-50	002-6-3,4-X	6	3,4	2-50	002-6-4,7-X	6	4,7	2-45

Spacers of PA-glass fibre reinforced | with outer  $\varnothing$  7 mm

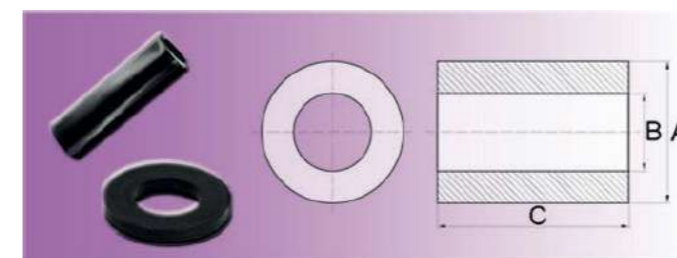


X = length (see column C)  
 Manufacturing range in steps of 1 mm. Please indicate the desired length as X.  
 Material: PA-GV (glass fibre reinforced), temperature-resistant up to approx. 110°C  
 Colour: black  
 Minimum order quantity: 1,000 pcs per order and dimension  
 Manufacturing time: approx. 10 workdays

All spacers can also be supplied in polystyrene (natural) and PA-GV (white) on request!

Part no.	A	B	C	Part no.	A	B	C	Part no.	A	B	C
002-7-3,4-X	7	3,4	2-50	002-7-4,5-X	7	4,5	2-55	002-7-5,0-X	7	5,0	2-53

Spacers of PA-glass fibre reinforced | with outer  $\varnothing$  8 mm

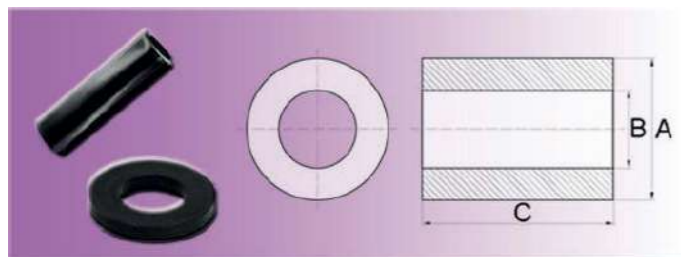


X = length (see column C)  
 Manufacturing range in steps of 1 mm. Please indicate the desired length as X.  
 Material: PA-GV (glass fibre reinforced), temperature-resistant up to approx. 110°C  
 Colour: black  
 Minimum order quantity: 1,000 pcs per order and dimension  
 Manufacturing time: approx. 10 workdays

All spacers can also be supplied in polystyrene (natural) and PA-GV (white) on request!

Part no.	A	B	C	Part no.	A	B	C
002-8-3,5-X	8	3,5	2-50	002-8-6,2-X	8	6,2	2-60
002-8-4,2-X	8	4,2	2-50	002-8-6,4-X	8	6,4	2-59

Spacers of PA-glass fibre reinforced | with outer  $\varnothing$  9 mm

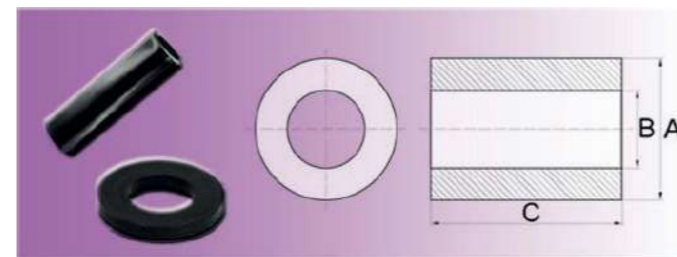


X = length (see column C)  
 Manufacturing range in steps of 1 mm. Please indicate the desired length as X.  
 Material: PA-GV (glass fibre reinforced), temperature-resistant up to approx. 110°C  
 Colour: black  
 Minimum order quantity: 1,000 pcs per order and dimension  
 Manufacturing time: approx. 10 workdays

All spacers can also be supplied in polystyrene (natural) and PA-GV (white) on request!

Part no.	A	B	C
002-9-6,2-X	9	6,2	2-25

Spacers of PA-glass fibre reinforced | with outer  $\varnothing$  14 mm

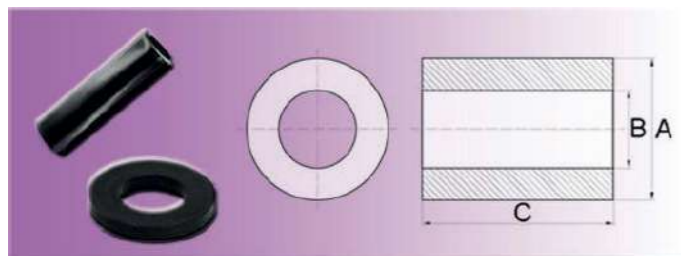


X = length (see column C)  
 Manufacturing range in steps of 1 mm. Please indicate the desired length as X.  
 Material: PA-GV (glass fibre reinforced), temperature-resistant up to approx. 110°C  
 Colour: black  
 Minimum order quantity: 1,000 pcs per order and dimension  
 Manufacturing time: approx. 10 workdays

All spacers can also be supplied in polystyrene (natural) and PA-GV (white) on request!

Part no.	A	B	C
002-14-8,2-X	14	8,2	2-50

Spacers of PA-glass fibre reinforced | with outer  $\varnothing$  10 mm

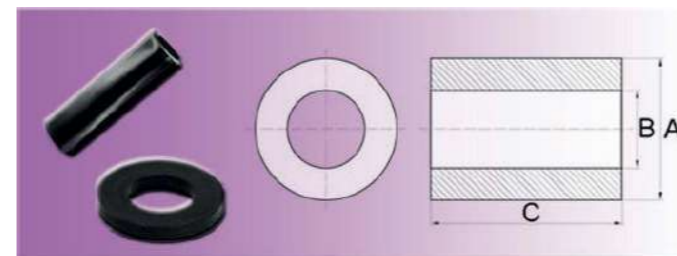


X = length (see column C)  
 Manufacturing range in steps of 1 mm. Please indicate the desired length as X.  
 Material: PA-GV (glass fibre reinforced), temperature-resistant up to approx. 110°C  
 Colour: black  
 Minimum order quantity: 1,000 pcs per order and dimension  
 Manufacturing time: approx. 10 workdays

All spacers can also be supplied in polystyrene (natural) and PA-GV (white) on request!

Part no.	A	B	C
002-10-3,2-X	10	3,2	2-18
002-10-5,2-X	10	5,2	2-57
Part no.	A	B	C
002-10-6,2-X	10	6,2	2-50
002-10-8,2-X	10	8,2	2-45

Spacers of PA-glass fibre reinforced | with outer  $\varnothing$  16 mm

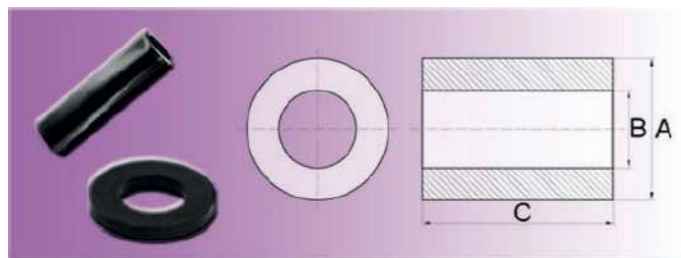


X = length (see column C)  
 Manufacturing range in steps of 1 mm. Please indicate the desired length as X.  
 Material: PA-GV (glass fibre reinforced), temperature-resistant up to approx. 110°C  
 Colour: black  
 Minimum order quantity: 1,000 pcs per order and dimension  
 Manufacturing time: approx. 10 workdays

All spacers can also be supplied in polystyrene (natural) and PA-GV (white) on request!

Part no.	A	B	C
002-16-6,2-X	16	6,2	3-20
Part no.	A	B	C
002-16-10,5-X	16	10,5	2-50
Part no.	A	B	C
002-16-12,5-X	16	12,4	2-50

Spacers of PA-glass fibre reinforced | with outer  $\varnothing$  12 mm

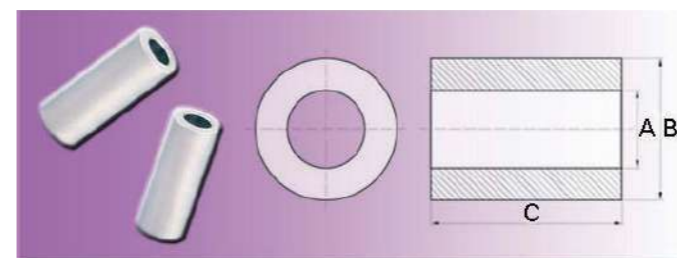


X = length (see column C)  
 Manufacturing range in steps of 1 mm. Please indicate the desired length as X.  
 Material: PA-GV (glass fibre reinforced), temperature-resistant up to approx. 110°C  
 Colour: black  
 Minimum order quantity: 1,000 pcs per order and dimension  
 Manufacturing time: approx. 10 workdays

All spacers can also be supplied in polystyrene (natural) and PA-GV (white) on request!

Part no.	A	B	C
002-12-5,2-X	12	5,2	2-50
002-12-6,2-X	12	6,2	2-50
Part no.	A	B	C
002-12-8,2-X	12	8,2	2-50
Part no.	A	B	C
002-12-9,1-X	12	9,1	2-65
Part no.	A	B	C
002-12-9,6-X	12	9,6	2-50

Spacers of brass | with outer  $\varnothing$  4 mm

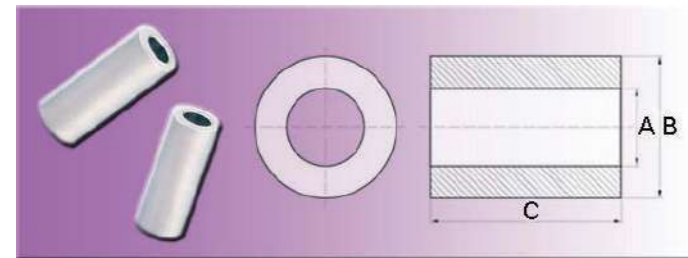


Material: brass (CuZn40Pb3) nickel-plated (Ni3bk)  
 Further dimensions or materials on request!

Part no.	A	B	C
311220140050	2,2	4	1
311220240050	2,2	4	2
311220340050	2,2	4	3
311220440050	2,2	4	4
311220540050	2,2	4	5
311220640050	2,2	4	6
Part no.	A	B	C
311220740050	2,2	4	7
311220840050	2,2	4	8
311220940050	2,2	4	9
311221040050	2,2	4	10
311221140050	2,2	4	11
311221240050	2,2	4	12
Part no.	A	B	C
311221340050	2,2	4	13
311221440050	2,2	4	14
311221540050	2,2	4	15
311221640050	2,2	4	16
311221740050	2,2	4	17
311221840050	2,2	4	18

Part no.	A	B	C	Part no.	A	B	C
311221940050	2,2	4	19	311222540050	2,2	4	25
311222040050	2,2	4	20	311223040050	2,2	4	30

Spacers of brass | with outer  $\varnothing$  5 mm

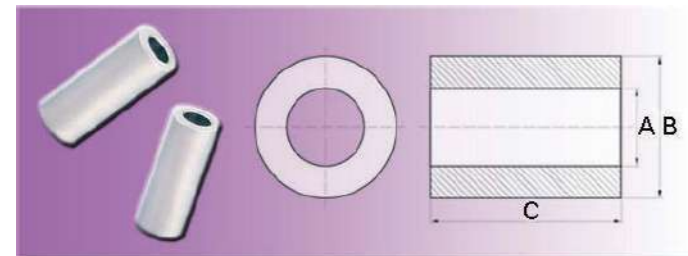


Material: brass (CuZn40Pb3) nickel-plated (Ni3bk)

Further dimensions or materials on request!

Part no.	A	B	C	Part no.	A	B	C	Part no.	A	B	C
311250140050	2,5	5	1	311250940050	2,5	5	9	311251740050	2,5	5	17
311250240050	2,5	5	2	311251040050	2,5	5	10	311251840050	2,5	5	18
311250340050	2,5	5	3	311251140050	2,5	5	11	311251940050	2,5	5	19
311250440050	2,5	5	4	311251240050	2,5	5	12	311252040050	2,5	5	20
311250540050	2,5	5	5	311251340050	2,5	5	13	311252540050	2,5	5	25
311250640050	2,5	5	6	311251440050	2,5	5	14	311253040050	2,5	5	30
311250740050	2,5	5	7	311251540050	2,5	5	15				
311250840050	2,5	5	8	311251640050	2,5	5	16				

Spacers of brass | with outer  $\varnothing$  6 mm

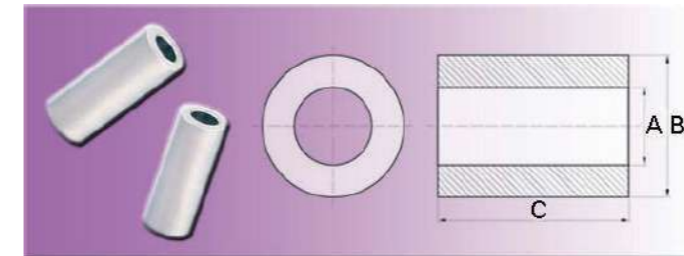


Material: brass (CuZn40Pb3) nickel-plated (Ni3bk)

Further dimensions or materials on request!

Part no.	A	B	C	Part no.	A	B	C	Part no.	A	B	C
311320140050	3,2	6	1	311321040050	3,2	6	10	311321940050	3,2	6	19
311320240050	3,2	6	2	311321140050	3,2	6	11	311322040050	3,2	6	20
311320340050	3,2	6	3	311321240050	3,2	6	12	311322540050	3,2	6	25
311320440050	3,2	6	4	311321340050	3,2	6	13	311323040050	3,2	6	30
311320540050	3,2	6	5	311321440050	3,2	6	14	311323540050	3,2	6	35
311320640050	3,2	6	6	311321540050	3,2	6	15	311324040050	3,2	6	40
311320740050	3,2	6	7	311321640050	3,2	6	16	311324540050	no longer available!		
311320840050	3,2	6	8	311321740050	3,2	6	17	311325040050	no longer available!		
311320940050	3,2	6	9	311321840050	3,2	6	18				

Spacers of brass | with outer  $\varnothing$  8 mm

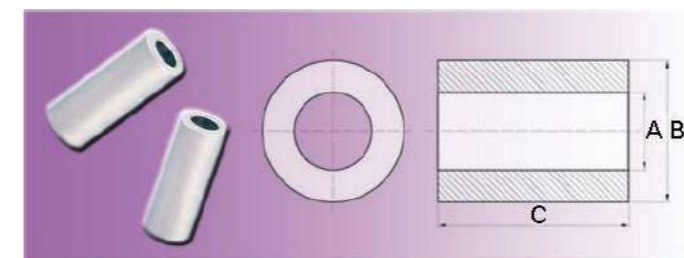


Material: brass (CuZn40Pb3) nickel-plated (Ni3bk)

Further dimensions or materials on request!

Part no.	A	B	C	Part no.	A	B	C	Part no.	A	B	C
311430140050	4,3	8	1	311431040050	4,3	8	10	311431940050	4,3	8	19
311430240050	4,3	8	2	311431140050	4,3	8	11	311432040050	4,3	8	20
311430340050	4,3	8	3	311431240050	4,3	8	12	311432540050	4,3	8	25
311430440050	4,3	8	4	311431340050	4,3	8	13	311433040050	4,3	8	30
311430540050	4,3	8	5	311431440050	4,3	8	14	311433540050	4,3	8	35
311430640050	4,3	8	6	311431540050	4,3	8	15	311434040050	4,3	8	40
311430740050	4,3	8	7	311431640050	4,3	8	16	311434540050	no longer available!		
311430840050	4,3	8	8	311431740050	4,3	8	17	311435040050	no longer available!		
311430940050	4,3	8	9	311431840050	4,3	8	18				

Spacers of brass | with outer  $\varnothing$  10 mm



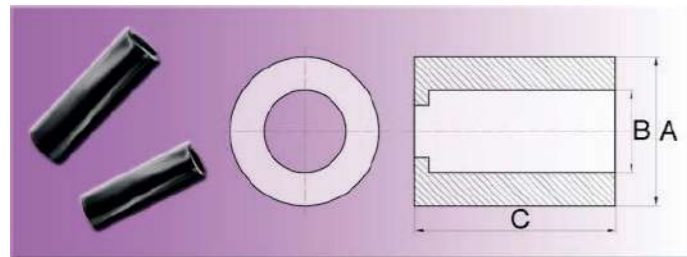
Material: brass (CuZn40Pb3) nickel-plated (Ni3bk)

Further dimensions or materials on request!

Part no.	A	B	C	Part no.	A	B	C	Part no.	A	B	C
311530140050	5,3	10	1	311530940050	5,3	10	9	311531740050	5,3	10	17
311530240050	5,3	10	2	311531040050	5,3	10	10	311531840050	5,3	10	18
311530340050	5,3	10	3	311531140050	5,3	10	11	311531940050	5,3	10	19
311530440050	5,3	10	4	311531240050	5,3	10	12	311532040050	5,3	10	20
311530540050	5,3	10	5	311531340050	5,3	10	13	311532540050	5,3	10	25
311530640050	5,3	10	6	311531440050	5,3	10	14	311533040050	5,3	10	30
311530740050	5,3	10	7	311531540050	5,3	10	15	311533540050	5,3	10	35
311530840050	5,3	10	8	311531640050	5,3	10	16	311534040050	5,3	10	40



Spacers with anti-loss protection | with outer  $\varnothing$  4 mm



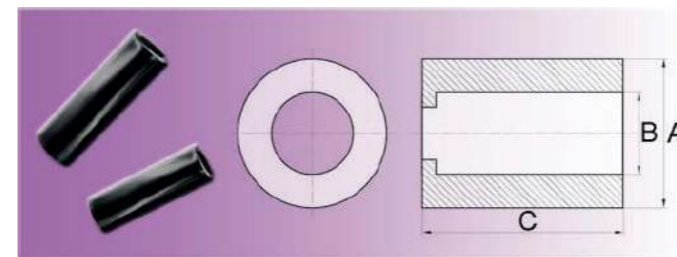
With anti-loss protection.  
X = length (see column C)  
Manufacturing range in steps of 1 mm. Please indicate the desired length as X.

Material: PA 6.6  
Colour: black

Minimum order quantity: 1,000 pcs per order and dimension

Part no.	A	B	C
022-4-2,2-X	4	2,2	2-40

Spacers with anti-loss protection | with outer  $\varnothing$  8 mm



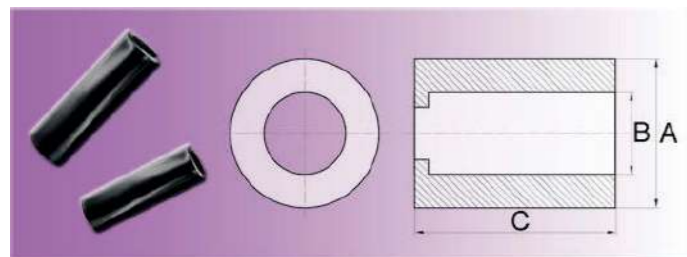
With anti-loss protection.  
X = length (see column C)  
Manufacturing range in steps of 1 mm. Please indicate the desired length as X.

Material: PA 6.6  
Colour: black

Minimum order quantity: 1,000 pcs per order and dimension

Part no.	A	B	C
022-8-4,2-X	8	4,2	2-50

Spacers with anti-loss protection | with outer  $\varnothing$  5 mm



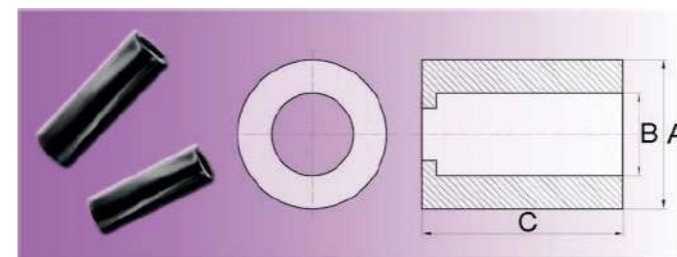
With anti-loss protection.  
X = length (see column C)  
Manufacturing range in steps of 1 mm. Please indicate the desired length as X.

Material: PA 6.6  
Colour: black

Minimum order quantity: 1,000 pcs per order and dimension

Part no.	A	B	C
022-5-2,7-X	5	2,7	2-55

Spacers with anti-loss protection | with outer  $\varnothing$  10 mm



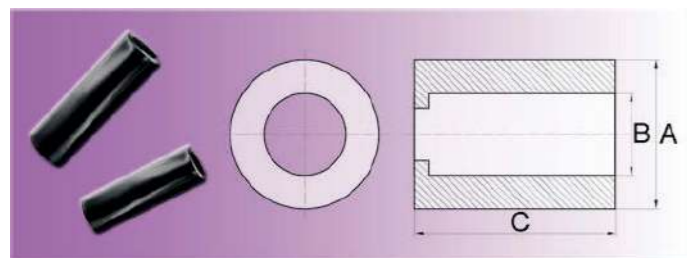
With anti-loss protection.  
X = length (see column C)  
Manufacturing range in steps of 1 mm. Please indicate the desired length as X.

Material: PA 6.6  
Colour: black

Minimum order quantity: 1,000 pcs per order and dimension

Part no.	A	B	C
022-10-6,2-X	10	6,2	2-55

Spacers with anti-loss protection | with outer  $\varnothing$  6 mm



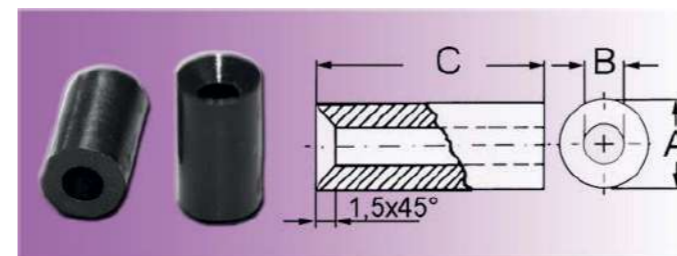
With anti-loss protection.  
X = length (see column C)  
Manufacturing range in steps of 1 mm. Please indicate the desired length as X.

Material: PA 6.6  
Colour: black

Minimum order quantity: 1,000 pcs per order and dimension

Part no.	A	B	C
022-6-3,4-X	6	3,4	2-45

Spacers with sinking | Onesided chamfer

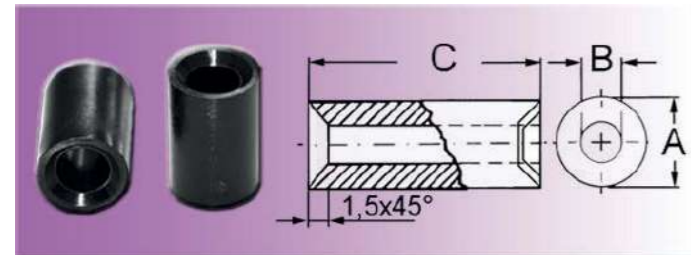


Round spacers with sinking und onesided chamfer.  
Material: PA-GV (glass fibre reinforced), temperature-resistant up to approx. 110°C  
Colour: black

Part no.	A	B	C	Part no.	A	B	C	Part no.	A	B	C
0231003	16	6,2	3	0231011	16	6,2	11	0231019	16	6,2	19
0231004	16	6,2	4	0231012	16	6,2	12	0231020	16	6,2	20
0231005	16	6,2	5	0231013	16	6,2	13	0231021	16	6,2	21
0231006	16	6,2	6	0231014	16	6,2	14	0231022	16	6,2	22
0231007	16	6,2	7	0231015	16	6,2	15	0231023	16	6,2	23
0231008	16	6,2	8	0231016	16	6,2	16	0231024	16	6,2	24
0231009	16	6,2	9	0231017	16	6,2	17	0231025	16	6,2	25
0231010	16	6,2	10	0231018	16	6,2	18	0231026	16	6,2	26

Part no.	A	B	C	Part no.	A	B	C
0231027	16	6,2	27	0231029	16	6,2	29
0231028	16	6,2	28	0231030	16	6,2	30

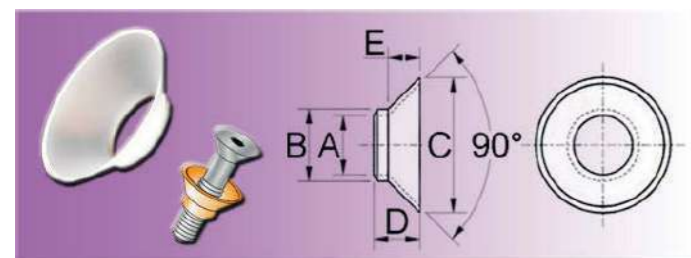
Spacers with sinking | Both-sided chamfer



Round spacers with sinking und both-sided chamfer.  
 Material: PA-GV (glass fibre reinforced), temperature-resistant up to approx. 110°C  
 Colour: black

Part no.	A	B	C	Part no.	A	B	C	Part no.	A	B	C
0232004	16	6,2	4	0232010	16	6,2	10	0232016	16	6,2	16
0232005	16	6,2	5	0232011	16	6,2	11	0232017	16	6,2	17
0232006	16	6,2	6	0232012	16	6,2	12	0232018	16	6,2	18
0232007	16	6,2	7	0232013	16	6,2	13	0232019	16	6,2	19
0232008	16	6,2	8	0232014	16	6,2	14	0232020	16	6,2	20
0232009	16	6,2	9	0232015	16	6,2	15				

Insulating cases | PA 6 natural - tapered



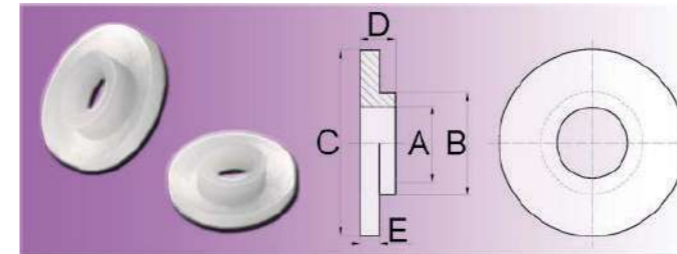
Prevent electrolytic corrosion of screws with counter-sunk heads. Frequently applied in the lighting and electrotechnical industry. Compulsory by law in many countries. Furthermore a good protection for countersunk screws. Absorb vibrations.

Material: PA 6  
 Colour: natural

Further types on written request.

Part no.	A	B	C	D	E	Part no.	A	B	C	D	E
0830302	3,1	4,9	8,2	3,7	1,7	0830802	8,1	9,9	18,6	6,4	4,4
0830402	4,1	5,9	10,4	4,3	2,3	0831005	10,1	12,4	22,2	10,0	5,0
0830502	5,1	6,9	12,4	4,8	2,8	0831202	12,1	13,9	28,8	8,5	6,5
0830602	6,1	7,9	12,62	4,9	3,5						

Insulating cases | PA 6 natural



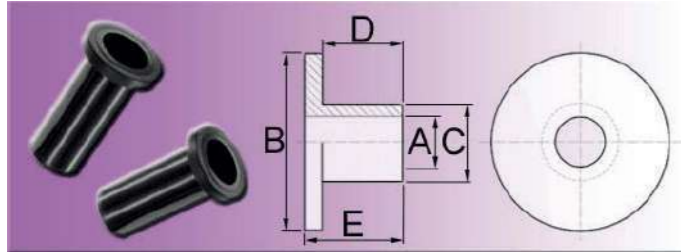
Protection of transformers, installations, lighting fixtures etc.

Material: PA 6  
 Colour: natural

Further types on written request.

Part no.	A	B	C	D	E	Part no.	A	B	C	D	E
0180200	2,1	3,3	6	2,5	1,0	0180506	5,2	11,9	18	3,5	1,5
0180250	2,6	3,9	10	3,0	1,3	0180600	6,2	6,9	15	3,5	1,5
0180300	3,1	3,9	10	3,0	1,3	0180601	6,2	7,9	15	3,5	1,5
0180301	3,1	4,9	10	3,0	1,3	0180602	6,2	8,9	15	3,5	1,5
0180302	3,1	5,9	10	3,0	1,3	0180603	6,2	9,9	15	3,5	1,5
0180303	3,1	6,9	15	3,5	1,5	0180604	6,2	10,9	18	3,5	1,5
0180304	3,1	7,9	15	3,5	1,5	0180605	6,2	11,9	18	3,5	1,5
0180305	3,1	8,9	15	3,5	1,5	0180800	8,2	8,9	15	3,5	1,5
0180306	3,1	9,9	15	3,5	1,5	0180801	8,2	9,9	15	3,5	1,5
0180307	3,1	10,9	18	3,5	1,5	0180802	8,2	10,9	18	3,5	1,5
0180400	4,2	4,9	10	3,0	1,3	0180803	8,2	11,9	18	3,5	1,5
0180401	4,2	5,9	10	3,0	1,3	0181000	10,2	10,9	18	3,5	1,5
0180402	4,2	6,9	15	3,5	1,5	0181001	10,2	11,9	18	3,5	1,5
0180403	4,2	7,9	15	3,5	1,5	0181002	10,2	12,9	19	3,5	1,5
0180404	4,2	8,9	15	3,5	1,5	0181200	12,2	13,8	25	4,0	2,0
0180405	4,2	9,9	15	3,5	1,5	0181201	12,2	14,8	25	4,0	2,0
0180406	4,2	10,9	18	3,5	1,5	0181202	12,2	15,8	25	4,0	2,0
0180407	4,2	11,9	18	3,5	1,5	0181203	12,2	17,8	25	4,0	2,0
0180500	5,2	5,9	10	3,0	1,3	0181400	14,2	15,8	25	4,0	2,0
0180501	5,2	6,9	15	3,5	1,5	0181401	14,2	17,8	25	4,0	2,0
0180502	5,2	7,9	15	3,5	1,5	0181600	16,2	17,8	25	4,0	2,0
0180503	5,2	8,9	15	3,5	1,5	0181801	18,2	21,8	36	6,0	3,0
0180504	5,2	9,9	15	3,5	1,5	0182000	20,1	21,8	36	6,0	3,0
0180505	5,2	10,9	18	3,5	1,5						

Insulating cases | PA-glass fibre reinforced black



These insulating cases combine electrical insulation with high mechanical strength. As they are resistant to electrolytic corrosion, they are essential for connections between incompatible metals.

Material: PA-glass fibre reinforced  
Colour: black

Colour white on written request.

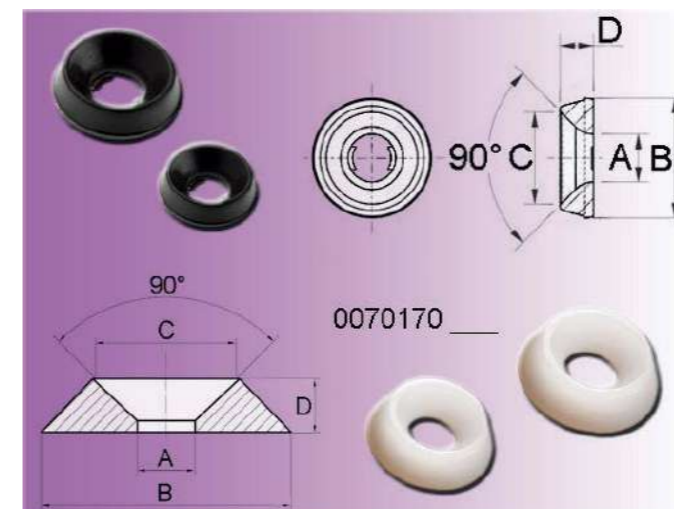
Part no.	A	B	C	D	E
3120832599	2,1	8,0	4,5	4,5	5,5
3120891599	2,2	5,0	4,2	4,0	5,0
3120865599	2,5	6,0	3,0	3,5	5,0
3120886599	2,6	6,0	3,5	1,3	2,3
3120839599	2,6	8,0	4,5	1,6	4,2
3120802599	2,6	8,0	4,8	1,1	2,1
3120102599	2,7	5,0	3,15	1,4	1,9
3120833599	2,7	5,0	3,15	1,4	2,4
3120812599	3,0	5,5	3,5	2,5	3,5
3120849599	3,0	5,9	3,5	0,6	1,8
3120859599	3,0	5,9	3,5	0,6	2,6
3120860599	3,0	5,9	3,5	1,2	2,5
3120870599	3,0	6,5	3,6	2,5	3,5
3120869599	3,0	6,5	3,6	2,5	4,5
3120884599	3,0	8,0	3,6	1,5	4,5
3120843599	3,1	10,0	3,4	8,0	9,0
3120871599	3,1	10,0	4,1	1,6	3,0
3120846599	3,1	10,0	4,2	8,0	10,0
3120896599	3,1	10,0	4,2	8,0	12,0
3120852599	3,1	10,0	6,4	1,3	2,8
3120867599	3,1	6,0	3,5	1,1	2,1
3120836599	3,1	6,0	3,5	1,3	2,3
3120893599	3,1	6,0	3,5	1,3	3,7
3120866599	3,1	6,0	3,5	3,0	5,0
3120890599	3,1	6,0	3,5	3,5	6,0
3120887599	3,1	6,0	3,7	3,0	5,0
3120862599	3,1	6,0	3,8	3,3	4,4
3120863599	3,1	6,0	3,8	5,2	6,4
3120819599	3,1	7,5	3,5	1,3	2,3
3120894599	3,1	7,5	3,5	1,3	4,3
3120801599	3,1	7,5	3,5	2,5	3,5
3120810599	3,1	7,5	3,5	2,5	6,5
3120885599	3,1	7,5	3,5	2,5	7,5

Part no.	A	B	C	D	E
3120853599	3,1	7,5	3,9	2,0	4,0
3120838599	3,1	7,5	3,9	3,5	4,5
3120895599	3,1	7,5	3,9	3,5	5,5
3120851599	3,1	7,5	3,9	4,0	6,0
3120814599	3,1	7,5	3,9	4,5	6,0
3120877599	3,1	7,6	6,0	1,0	2,0
3120809599	3,5	7,0	4,9	7,4	8,2
3120806599	3,5	7,0	5,1	2,2	3,0
3120858599	3,5	9,0	6,3	2,0	4,0
3120842599	4,0	10,0	4,4	8,0	9,0
3120850599	4,0	9,3	6,3	1,3	2,5
3120847599	4,1	10,0	5,2	10,0	12,0
3120876599	4,1	10,0	7,0	1,0	2,0
3120855599	4,1	8,0	5,0	3,0	7,0
3120883599	4,1	8,0	5,6	6,5	10,5
3120897599	4,2	10,0	5,2	10,0	14,0
3120888599	4,2	11,9	7,8	6,3	7,9
3120892599	4,5	15,7	9,7	1,7	5,7
3120861599	4,5	15,7	9,7	6,5	11,5
3120804599	4,5	15,7	9,7	8,0	13,0
3120831599	4,5	8,0	6,0	3,2	4,0
3120879599	5,0	10,1	6,3	2,24	3,05
3120828599	5,1	12,0	5,5	2,0	3,0
3120808599	5,1	12,0	5,5	4,0	5,0
3120821599	5,1	12,0	6,4	15,0	16,0
3120844599	5,1	12,0	6,4	15,0	17,0
3120875599	5,2	10,0	6,2	1,5	2,5
3120857599	5,2	10,0	6,2	1,5	4,0
3120864599	5,2	12,0	5,5	3,5	5,0
3120826599	5,2	12,0	6,2	10,0	11,0
3120898599	5,2	12,0	6,4	15,0	20,0
3120816599	5,2	12,0	6,9	8,0	11,0
3120873599	5,2	12,0	7,0	0,8	2,8

Part no.	A	B	C	D	E
3120878599	6,1	10,0	8,5	3,1	6,0
3120807599	6,1	12,0	6,5	4,0	5,0
3120880599	6,1	12,0	7,6	15,0	16,0
3120881599	6,1	12,0	7,6	15,0	17,0
3120845599	6,1	12,0	7,8	15,0	17,0
3120825599	6,1	12,0	7,9	1,0	2,0
3120817599	6,2	12,0	6,5	2,0	3,0
3120811599	6,2	12,0	6,5	4,0	4,5
3120827599	6,2	12,0	7,2	10,0	11,0
3120899599	6,2	12,0	7,2	10,0	13,0
3120820599	6,2	12,0	7,8	15,0	16,0
3120100599	6,2	12,0	7,8	15,0	20,0
3120824599	6,2	12,0	7,9	2,0	4,0
3120815599	6,2	12,0	7,9	8,0	11,0
3120818599	6,4	16,0	10,0	2,3	3,5
3120834599	6,5	13,0	9,6	1,3	1,9
3120854599	6,5	25,0	13,0	3,5	8,0
3120805599	6,5	25,0	13,0	6,0	10,5

Part no.	A	B	C	D	E
3120813599	6,5	25,0	13,0	8,5	13,0
3120872599	8,2	14,0	10,9	16,0	18,0
3120823599	8,2	14,0	9,9	16,0	18,0
3120101599	8,2	14,0	9,9	16,0	21,0
3120882599	8,2	18,0	9,9	20,0	23,0
3120835599	8,2	19,0	9,35	1,7	2,5
3120822599	8,5	25,0	12,8	9,0	13,5
3120803599	8,5	25,0	13,0	6,0	10,5
3120856599	8,5	25,0	17,5	2,5	5,5
3120837599	10,2	16,0	11,0	1,0	2,0
3120874599	10,2	16,0	11,0	2,0	3,0
3120829599	10,2	28,0	12,5	2,5	3,7
3120840599	10,2	28,0	17,5	2,5	6,5
3120889599	10,3	18,6	14,0	5,2	7,2
3120841599	10,5	21,0	14,5	32,0	35,0
3120830599	12,2	20,0	16,0	1,0	2,0
3120848599	12,5	21,0	14,5	32,5	35,5

Metric finishing washers | Type 0



For the protection of surfaces like enamel, paint, textile, glass, ceramic etc. Also suitable for decoration purposes.

Material: PA 6  
Colour:  
Last digits 599 = black  
Last digits 500 = white

Part no.	A	B	C	D	M	WW
0070090500	3,2	10,5	7,0	3,0	3	1/8"
0070090599	3,2	10,5	7,0	3,0	3	1/8"
0070110500	4,3	12,5	9,0	3,0	4	5/32"
0070110599	4,3	12,5	9,0	3,0	4	5/32"
0070130500	5,3	14,0	11,0	3,8	5	3/16"

Part no.	A	B	C	D	M	WW
0070130599	5,3	14,0	11,0	3,8	5	3/16"
0070150500	6,4	16,0	13,0	4,5	6	1/4"
0070150599	6,4	16,0	13,0	4,5	6	1/4"
0070170500	8,0	22,3	14,3	5,9	8	-
0070170599	8,0	22,3	14,3	5,9	8	-

Metric finishing washers | Type 1



For the protection of surfaces like enamel, paint, textile, glass, ceramic etc.  
Also suitable for decoration purposes.

Material: PA 6  
Colour:  
Last digits 599 = black  
Last digits 500 = white

Part no.	A	B	C	D	M	WW
0071025500	2,7	6,8	5	2,0	2,5	3/32"
0071025599	2,7	6,8	5	2,0	2,5	3/32"
0071030500	3,2	8,5	6	2,2	3	1/8"
0071030599	3,2	8,5	6	2,2	3	1/8"
0071040500	4,3	10,5	8	2,8	4	5/32"
0071040599	4,3	10,5	8	2,8	4	5/32"

Part no.	A	B	C	D	M	WW
0071050500	5,3	12,7	10	3,4	5	3/16"
0071050599	5,3	12,7	10	3,4	5	3/16"
0071060500	6,4	15	12	4,0	6	1/4"
0071060599	6,4	15	12	4,0	6	1/4"
0071080500	8,4	20,0	16	5,0	8	5/16"
0071080599	8,4	20,0	16	5,0	8	5/16"

Metric finishing washers | Type 3



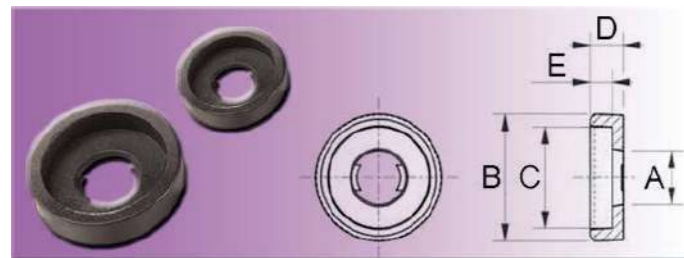
For the protection of surfaces like enamel, paint, textile, glass, ceramic etc.  
Also suitable for decoration purposes.

Material: PA 6  
Colour:  
Last digits 599 = black  
Last digits 500 = white

Part no.	A	B	C	D	M	WW
0073030500	3,2	14	7	2,9	3	1/8"
0073030599	3,2	14	7	2,9	3	1/8"
0073040500	4,3	16	9	3,5	4	5/32"
0073040599	4,3	16	9	3,5	4	5/32"

Part no.	A	B	C	D	M	WW
0073050500	5,3	18	11	3,8	5	3/16"
0073050599	5,3	18	11	3,8	5	3/16"
0073060500	6,4	22	13	4,5	6	1/4"
0073060599	6,4	22	13	4,5	6	1/4"

Metric finishing washers | Type 2

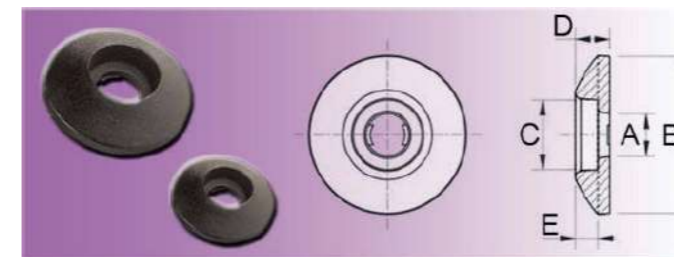


For the protection of surfaces like enamel, paint, textile, glass, ceramic etc.  
Also suitable for decoration purposes.

Material: PA 6  
Colour:  
Last digits 599 = black  
Last digits 500 = white

Part no.	A	B	C	D	E	M	WW
0072025500	2,7	6,8	5	2,0	1,0	2,5	3/32"
0072025599	2,7	6,8	5	2,0	1,0	2,5	3/32"
0072030500	3,2	8,5	6	2,2	1,2	3	1/8"
0072030599	3,2	8,5	6	2,2	1,2	3	1/8"
0072040500	4,3	10,5	8	2,8	1,7	4	5/32"
0072040599	4,3	10,5	8	2,8	1,7	4	5/32"
0072050500	5,3	12,7	10	3,4	2,2	5	3/16"
0072050599	5,3	12,7	10	3,4	2,2	5	3/16"
0072060500	6,4	15,0	12	4,0	2,7	6	1/4"
0072060599	6,4	15,0	12	4,0	2,7	6	1/4"
0072080500	8,4	20,0	16	5,0	3,5	8	5/16"
0072080599	8,4	20,0	16	5,0	3,5	8	5/16"

Metric finishing washers | Type 4

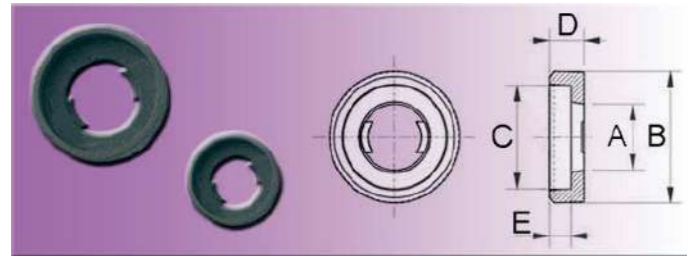


For the protection of surfaces like enamel, paint, textile, glass, ceramic etc.  
Also suitable for decoration purposes.

Material: PA 6  
Colour:  
Last digits 599 = black  
Last digits 500 = white

Part no.	A	B	C	D	E	M	WW
0074030500	3,2	14,0	5,5	2,8	1,7	3	1/8"
0074030599	3,2	14,0	5,5	2,8	1,7	3	1/8"
0074040500	4,3	16,0	7,0	3,5	2,3	4	5/32"
0074040599	4,3	16,0	7,0	3,5	2,3	4	5/32"
0074050500	5,3	18,0	8,5	4,0	2,7	5	3/16"
0074050599	5,3	18,0	8,5	4,0	2,7	5	3/16"
0074060500	6,4	22,0	10,0	4,9	3,5	6	1/4"
0074060599	6,4	22,0	10,0	4,9	3,5	6	1/4"

Metric finishing washers | Type 5



For the protection of surfaces like enamel, paint, textile, glass, ceramic etc.  
Also suitable for decoration purposes.

Material: PA 6  
Colour:  
Last digits 599 = black  
Last digits 500 = white

Part no.	A	B	C	D	E	M	WW
0075030500	3,2	6,5	5,5	2,0	1,1	3	1/8"
0075030599	3,2	6,5	5,5	2,0	1,1	3	1/8"
0075040500	4,3	8,5	7,0	2,2	1,2	4	5/32"
0075040599	4,3	8,5	7,0	2,2	1,2	4	5/32"
0075050500	5,3	10,5	8,5	2,8	1,6	5	3/16"
0075050599	5,3	10,5	8,5	2,8	1,6	5	3/16"
0075060500	6,4	12,7	10,0	3,4	2,1	6	1/4"
0075060599	6,4	12,7	10,0	3,4	2,1	6	1/4"
0075080500	8,4	15,0	13,0	4,0	2,6	8	5/16"
0075080599	8,4	15,0	13,0	4,0	2,6	8	5/16"

Metric finishing washers | Type 6



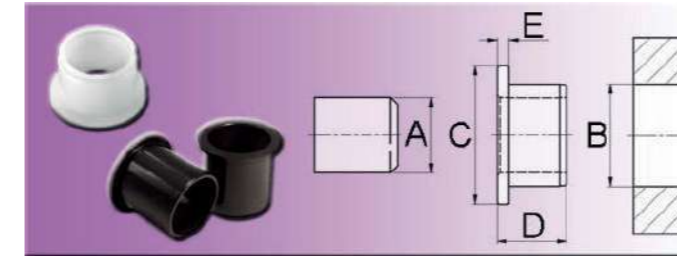
For the protection of surfaces like enamel, paint, textile, glass, ceramic etc.  
Also suitable for decoration purposes.

Material: PA 6  
Colour: black

Part no.	A	B	C	D	M
0076025	7,0	2,7	1,5	5,0	2,5
0076030	7,5	3,1	1,5	5,4	3

Part no.	A	B	C	D	M
0076040	12,0	4,1	3,0	7,0	4
0076060	16,0	6,2	3,3	13,0	6

Bush bearings | with collar



Suitable for all rotating and moving parts. Ideal for silent hinges and low-speed machines. Electrical insulation between shaft and bearing housing.

Material: PA 6.6  
Colour: natural

Due to its gliding properties and high wear resistance, polyamide is also very applicable during dry running. Resistant to fouling, atmospheric influences and to the majority of chemicals. After assembly the bearing clearance is approx. 1% of the shaft diameter.

Further types or materials, e. g. black colour, on written request.

Part no.	A	B	C	D	E
0080300	3,0	5	8,0	7,0	2,0
0080400	4,0	6	9,0	8,0	2,0
0080500	5,0	8	11,0	10,0	2,0
0080601	6,0	8	10,0	10,0	2,0
0080610	6,0	9	12,0	6,0	2,0
0080600	6,0	9	12,0	11,0	2,0
0080609	6,0	10	15,0	8,0	1,5
0080603	6,0	10	15,0	10,0	1,5
0080811	8,0	11	16,0	7,0	2,0
0080800	8,0	11	16,0	13,0	2,0
0080809	8,0	12	16,0	6,0	2,0
0080812	8,0	12	16,0	12,0	2,0
0080810	8,0	14	20,0	10,0	2,0
0080813	8,0	14	20,0	12,0	2,0
0081010	10,0	12	16,0	6,0	2,0
0081009	10,0	12	16,0	12,0	2,0
0081014	10,0	13	18,0	8,0	2,0
0081000	10,0	13	18,0	15,0	3,0
0081016	10,0	13	21,0	16,0	3,0
0081011	10,0	14	20,0	10,0	2,0
0081013	10,0	14	20,0	12,0	2,0
0081015	10,0	16	20,0	10,0	2,0
0081012	10,0	16	21,0	10,0	2,0
0081017	10,0	16	20,0	12,0	2,0
0081018	10,0	18	24,0	20,0	4,0
0081206	12,0	14	20,0	10,0	2,0
0081208	12,0	14	20,0	12,0	2,0
0081201	12,0	16	20,0	10,0	2,0
0081207	12,0	16	21,0	10,0	2,0

Part no.	A	B	C	D	E
0081202	12,0	16	20,0	12,0	2,0
0081200	12,0	16	21,0	19,0	3,0
0081203	12,0	18	24,0	20,0	4,0
0081204	12,0	22	30,0	20,0	4,0
0081300	13,0	17	24,0	20,0	4,0
0081301	13,0	20	28,0	20,0	4,0
0081401	14,0	17	24,0	20,0	4,0
0081400	14,0	18	28,0	21,0	3,0
0081402	14,0	20	28,0	20,0	4,0
0081403	14,0	20	30,0	20,0	4,0
0081404	14,0	20	30,0	24,0	2,0
0081405	14,0	22	30,0	20,0	4,0
0081406	14,0	24	30,0	20,0	4,0
0081500	15,0	20	28,0	20,0	4,0
0081501	15,0	20	30,0	20,0	4,0
0081502	15,0	22	30,0	20,0	4,0
0081503	15,0	25	30,0	20,0	4,0
0081603	16,0	20	28,0	15,0	2,0
0081602	16,0	20	28,0	20,0	4,0
0081605	16,0	20	30,0	20,0	4,0
0081600	16,0	20	28,0	22,0	2,0
0081604	16,0	22	30,0	15,0	2,0
0081606	16,0	22	30,0	20,0	4,0
0081607	16,0	24	30,0	15,0	2,0
0081608	16,0	24	30,0	20,0	4,0
0081609	16,0	25	30,0	20,0	4,0
0081610	16,0	26	30,0	20,0	4,0
0081611	16,0	26	32,0	20,0	4,0
0081801	18,0	22	30,0	20,0	4,0

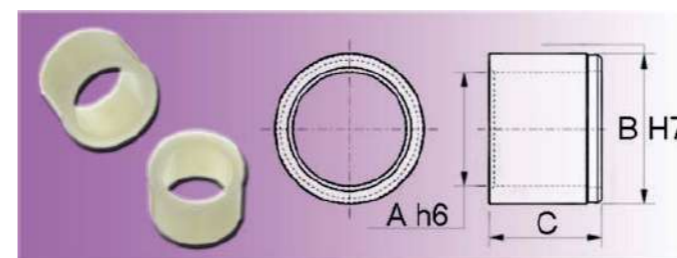
Part no.	A	B	C	D	E
0081800	18,0	22	30,0	25,0	2,5
0081804	18,0	24	30,0	20,0	4,0
0081805	18,0	25	30,0	20,0	4,0
0081806	18,0	26	30,0	20,0	4,0
0081807	18,0	26	32,0	20,0	4,0
0081803	18,5	20	23,5	7,5	1,4
0082002	20,0	24	30,0	15,0	2,0
0082001	20,0	24	30,0	20,0	4,0
0082000	20,0	24	30,0	26,0	3,0
0082003	20,0	25	30,0	15,0	2,0
0082005	20,0	25	30,0	20,0	4,0
0082006	20,0	26	30,0	12,0	2,0
0082004	20,0	26	32,0	15,0	2,0
0082007	20,0	26	30,0	20,0	4,0
0082008	20,0	26	32,0	20,0	3,0
0082009	20,0	28	34,0	20,0	4,0
0082010	20,0	30	36,0	20,0	3,0
0082011	20,0	30	36,0	24,0	4,0
0082200	22,0	25	30,0	20,0	4,0
0082201	22,0	26	30,0	20,0	4,0
0082202	22,0	26	32,0	20,0	4,0
0082203	22,0	28	34,0	20,0	4,0
0082204	22,0	30	36,0	24,0	4,0
0082205	22,0	32	40,0	24,0	4,0
0082401	24,0	30	36,0	24,0	4,0
0082400	24,0	30	37,0	30,0	3,0
0082402	24,0	32	40,0	24,0	4,0
0082403	24,0	35	45,0	24,0	4,0
0082501	25,0	30	36,0	20,0	3,0
0082502	25,0	30	36,0	24,0	4,0
0082500	25,0	30	37,0	30,0	2,5
0082503	25,0	32	40,0	20,0	3,0
0082504	25,0	32	40,0	24,0	4,0
0082505	25,0	35	45,0	20,0	3,0
0082506	25,0	35	45,0	24,0	4,0
0082508	25,0	36	45,0	24,0	4,0
0082507	25,0	35	45,0	30,0	4,0
0082600	26,0	32	40,0	24,0	4,0
0082601	26,0	35	45,0	24,0	4,0
0082602	26,0	36	45,0	24,0	4,0
0082603	26,0	38	48,0	24,0	4,0

Part no.	A	B	C	D	E
0082802	28,0	32	40,0	24,0	4,0
0082803	28,0	32	40,0	30,0	4,0
0082800	28,0	33	40,0	33,0	2,5
0082804	28,0	35	45,0	24,0	4,0
0082805	28,0	35	45,0	30,0	4,0
0082806	28,0	36	45,0	24,0	4,0
0082807	28,0	38	48,0	24,0	4,0
0082808	28,0	38	48,0	30,0	4,0
0082801	28,0	40	50,0	24,0	4,0
0083001	30,0	32	40,0	24,0	4,0
0083002	30,0	32	40,0	30,0	4,0
0083000	30,0	35	42,0	35,0	2,5
0083007	30,0	35	45,0	30,0	4,0
0083003	30,0	36	45,0	24,0	4,0
0083004	30,0	38	48,0	24,0	4,0
0083005	30,0	38	48,0	30,0	4,0
0083006	30,0	40	50,0	24,0	4,0
0083201	32,0	35	45,0	24,0	4,0
0083202	32,0	35	45,0	30,0	4,0
0083203	32,0	36	45,0	24,0	4,0
0083204	32,0	38	48,0	24,0	4,0
0083205	32,0	38	48,0	30,0	4,0
0083206	32,0	40	50,0	24,0	4,0
0083207	32,0	40	50,0	30,0	4,0
0083208	32,0	44	54,0	40,0	5,0
0083300	33,0	40	50,0	24,0	4,0
0083302	33,0	44	54,0	40,0	5,0
0083601	36,0	44	54,0	40,0	5,0
0083602	36,0	48	58,0	40,0	5,0
0083800	38,0	44	54,0	40,0	5,0
0083801	38,0	48	58,0	40,0	5,0
0083802	38,0	50	60,0	40,0	5,0
0084001	40,0	44	54,0	40,0	5,0
0084000	40,0	46	55,0	46,0	3,0
0084002	40,0	48	58,0	40,0	5,0
0084003	40,0	50	60,0	40,0	5,0
0084004	40,0	56	70,0	40,0	5,0
0084200	42,0	48	58,0	40,0	5,0
0084201	42,0	50	60,0	40,0	5,0
0084202	42,0	56	70,0	40,0	5,0
0084500	45,0	56	70,0	40,0	5,0

Part no.	A	B	C	D	E
0084501	45,0	60	70,0	40,0	5,0
0084800	48,0	56	70,0	40,0	5,0
0084801	48,0	60	70,0	40,0	5,0
0085000	50,0	56	67,0	50,0	3,5
0085001	50,0	56	70,0	40,0	5,0

Part no.	A	B	C	D	E
0085002	50,0	56	70,0	50,0	5,0
0085003	50,0	60	70,0	40,0	5,0
0085004	50,0	60	70,0	50,0	5,0
0086000	60,0	68	81,0	50,0	4,0

Bush bearings | without collar



Suitable for all rotating and moving parts. Ideal for silent hinges and low-speed machines. Electrical insulation between shaft and bearing housing.

Material: PA 6.6  
Colour: natural

Due to its gliding properties and high wear resistance, polyamide is also very applicable during dry running. Resistant to fouling, atmospheric influences and to the majority of chemicals. After assembly the bearing clearance is approx. 1% of the shaft diameter.

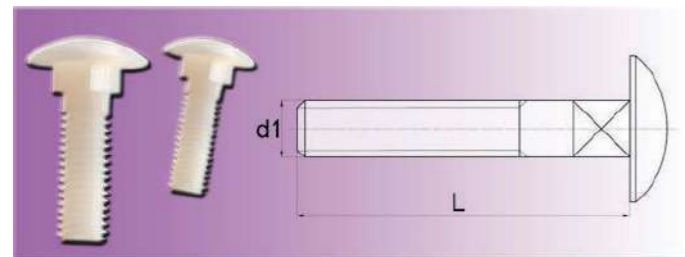
Further types or materials on written request.

Part no.	A	B	C
1030812	8	12	10
1030814	8	14	10
1031012	10	12	10
1031014	10	14	10
1031016	10	16	10
1031214	12	14	10
1031216	12	16	10
1031218	12	18	14
1031520	15	20	15
1031522	15	22	15
1031525	15	25	15
1031620	16	20	15
1031622	16	22	15

Part no.	A	B	C
1031624	16	24	15
1032024	20	24	15
1032025	20	25	15
1032026	20	26	20
1032028	20	28	20
1032030	20	30	20
1032530	25	30	20
1032531	25	30	32
1032532	25	32	20
1032535	25	35	20
1032832	28	32	20
1032835	28	35	20
1032838	28	38	19

Part no.	A	B	C
1033035	30	35	20
1033036	30	36	30
1033040	30	40	30
1033236	32	36	30
1033240	32	40	30
1034045	40	45	40
1034048	40	48	40
1034050	40	50	40
1035056	50	56	50
1035060	50	60	50
1035462	54	62	60

Screws according to DIN of plastic | Mushroom head bolts ~DIN 603 PA



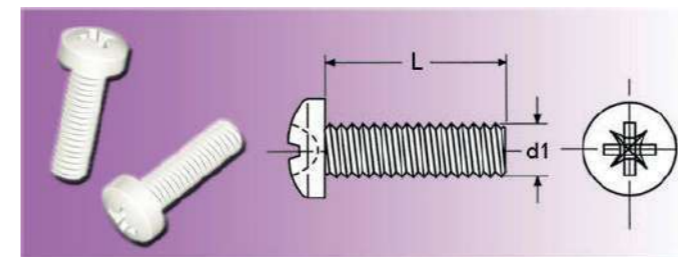
Mushroom head bolts ~DIN 603

Minimum order quantity: 1,000 pcs. per dimension and order

Material: PA 6.6  
Colour: natural

Part no.	d1 x L	Part no.	d1 x L	Part no.	d1 x L
2450509	M5 x 9	2450611	M6 x 11	2450818	M8 x 18
2450510	M5 x 10	2450612	M6 x 12	2450819	M8 x 19
2450511	M5 x 11	2450615	M6 x 15	2450820	M8 x 20
2450512	M5 x 12	2450616	M6 x 16	2450821	M8 x 21
2450513	M5 x 13	2450618	M6 x 18	2450822	M8 x 22
2450514	M5 x 14	2450619	M6 x 19	2450823	M8 x 23
2450515	M5 x 15	2450620	M6 x 20	2450825	M8 x 25
2450517	M5 x 17	2450621	M6 x 21	2450828	M8 x 28
2450518	M5 x 18	2450624	M6 x 24	2450830	M8 x 30
2450519	M5 x 19	2450625	M6 x 25	2450835	M8 x 35
2450520	M5 x 20	2450629	M6 x 29	2450840	M8 x 40
2450521	M5 x 21	2450630	M6 x 30	2450845	M8 x 45
2450522	M5 x 22	2450634	M6 x 34	2450850	M8 x 50
2450523	M5 x 23	2450639	M6 x 39	2450855	M8 x 55
2450524	M5 x 24	2450644	M6 x 44	2450860	M8 x 60
2450525	M5 x 25	2450649	M6 x 49	2450865	M8 x 65
2450528	M5 x 28	2450654	M6 x 54	2450870	M8 x 70
2450530	M5 x 30	2450664	M6 x 64	2450875	M8 x 75
2450533	M5 x 33	2450810	M8 x 10	2450880	M8 x 80
2450535	M5 x 35	2450811	M8 x 11	2450885	M8 x 85
2450540	M5 x 40	2450812	M8 x 12	2450890	M8 x 90
2450545	M5 x 45	2450813	M8 x 13	2450895	M8 x 95
2450550	M5 x 50	2450814	M8 x 14	24508100	M8 x 100
2450555	M5 x 55	2450815	M8 x 15	24508120	M8 x 120
2450609	M6 x 9	2450816	M8 x 16		
2450610	M6 x 10	2450817	M8 x 17		

Screws according to DIN of plastic | Raised head screws ~DIN 7985 PA



Raised head screws ~DIN 7985 (~DIN 34812)

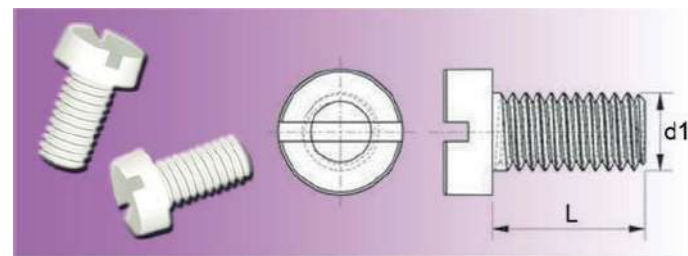
Minimum order quantity: 1,000 pcs. per dimension and order

Material: PA 6.6  
Colour: natural

Part no.	d1 x L	Part no.	d1 x L	Part no.	d1 x L
2490304	M3 x 4	2490428	M4 x 28	2490605	M6 x 5
2490305	M3 x 5	2490430	M4 x 30	2490606	M6 x 6
2490306	M3 x 6	2490435	M4 x 35	2490607	M6 x 7
2490308	M3 x 8	2490440	M4 x 40	2490608	M6 x 8
2490310	M3 x 10	2490445	M4 x 45	2490610	M6 x 10
2490312	M3 x 12	2490450	M4 x 50	2490612	M6 x 12
2490314	M3 x 14	2490455	M4 x 55	2490615	M6 x 15
2490315	M3 x 15	2490460	M4 x 60	2490616	M6 x 16
2490316	M3 x 16	2490470	M4 x 70	2490617	M6 x 17
2490318	M3 x 18	2490504	M5 x 4	2490620	M6 x 20
2490320	M3 x 20	2490506	M5 x 6	2490625	M6 x 25
2490322	M3 x 22	2490507	M5 x 7	2490630	M6 x 30
2490325	M3 x 25	2490508	M5 x 8	2490635	M6 x 35
2490328	M3 x 28	2490509	M5 x 9	2490640	M6 x 40
2490330	M3 x 30	2490510	M5 x 10	2490645	M6 x 45
2490333	M3 x 33	2490512	M5 x 12	2490650	M6 x 50
2490335	M3 x 35	2490513	M5 x 13	2490655	M6 x 55
2490340	M3 x 40	2490514	M5 x 14	2490660	M6 x 60
2490345	M3 x 45	2490515	M5 x 15	2490670	M6 x 70
2490404	M4 x 4	2490516	M5 x 16	2490675	M6 x 75
2490405	M4 x 5	2490517	M5 x 17	2490680	M6 x 80
2490406	M4 x 6	2490518	M5 x 18	2490690	M6 x 90
2490408	M4 x 8	2490520	M5 x 20	2490804	M8 x 4
2490410	M4 x 10	2490525	M5 x 25	2490805	M8 x 5
2490412	M4 x 12	2490530	M5 x 30	2490806	M8 x 6
2490413	M4 x 13	2490535	M5 x 35	2490807	M8 x 7
2490414	M4 x 14	2490540	M5 x 40	2490808	M8 x 8
2490415	M4 x 15	2490545	M5 x 45	2490809	M8 x 9
2490416	M4 x 16	2490550	M5 x 50	2490810	M8 x 10
2490418	M4 x 18	2490560	M5 x 60	2490811	M8 x 11
2490420	M4 x 20	2490565	M5 x 65	2490812	M8 x 12
2490423	M4 x 23	2490570	M5 x 70	2490813	M8 x 13
2490425	M4 x 25	2490580	M5 x 80	2490815	M8 x 15

Part no.	d1 x L	Part no.	d1 x L	Part no.	d1 x L
2490816	M8 x 16	2490830	M8 x 30	2490865	M8 x 65
2490817	M8 x 17	2490835	M8 x 35	2490870	M8 x 70
2490818	M8 x 18	2490840	M8 x 40	2490875	M8 x 75
2490820	M8 x 20	2490845	M8 x 45	2490880	M8 x 80
2490823	M8 x 23	2490850	M8 x 50	2490890	M8 x 90
2490825	M8 x 25	2490855	M8 x 55		
2490826	M8 x 26	2490860	M8 x 60		

Screws according to DIN of plastic | Slotted head screws ~DIN 84 PA



Slotted head screws ~DIN 84 (~DIN EN ISO 1207)

Minimum order quantity:  
 500 pcs. for M3  
 200 pcs. for M4, M5 + M6  
 100 pcs. from M8 upwards

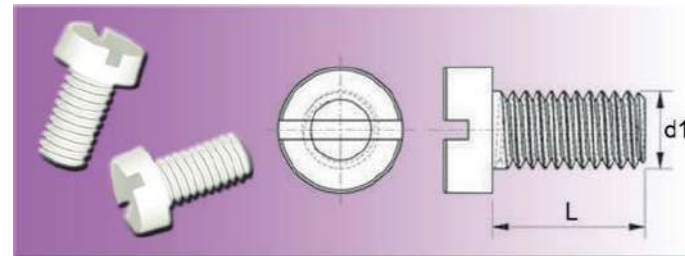
Material: PA 6.6  
 Colour: natural

Part no.	d1 x L	Part no.	d1 x L	Part no.	d1 x L
2500304	M3 x 4	2500410	M4 x 10	2500509	M5 x 9
2500305	M3 x 5	2500412	M4 x 12	2500510	M5 x 10
2500306	M3 x 6	2500413	M4 x 13	2500512	M5 x 12
2500308	M3 x 8	2500414	M4 x 14	2500513	M5 x 13
2500310	M3 x 10	2500415	M4 x 15	2500514	M5 x 14
2500312	M3 x 12	2500416	M4 x 16	2500515	M5 x 15
2500314	M3 x 14	2500418	M4 x 18	2500516	M5 x 16
2500315	M3 x 15	2500420	M4 x 20	2500517	M5 x 17
2500316	M3 x 16	2500423	M4 x 23	2500518	M5 x 18
2500318	M3 x 18	2500425	M4 x 25	2500520	M5 x 20
2500320	M3 x 20	2500428	M4 x 28	2500525	M5 x 25
2500322	M3 x 22	2500430	M4 x 30	2500530	M5 x 30
2500325	M3 x 25	2500435	M4 x 35	2500535	M5 x 35
2500328	M3 x 28	2500440	M4 x 40	2500540	M5 x 40
2500330	M3 x 30	2500445	M4 x 45	2500545	M5 x 45
2500333	M3 x 33	2500450	M4 x 50	2500550	M5 x 50
2500335	M3 x 35	2500455	M4 x 55	2500560	M5 x 60
2500340	M3 x 40	2500460	M4 x 60	2500565	M5 x 65
2500345	M3 x 45	2500470	M4 x 70	2500570	M5 x 70
2500404	M4 x 4	2500504	M5 x 4	2500580	M5 x 80
2500405	M4 x 5	2500506	M5 x 6	2500605	M6 x 5
2500406	M4 x 6	2500507	M5 x 7	2500606	M6 x 6
2500408	M4 x 8	2500508	M5 x 8	2500607	M6 x 7

Part no.	d1 x L	Part no.	d1 x L	Part no.	d1 x L
2500608	M6 x 8	2500815	M8 x 15	2501025	M10 x 25
2500610	M6 x 10	2500816	M8 x 16	2501030	M10 x 30
2500612	M6 x 12	2500817	M8 x 17	2501035	M10 x 35
2500614	M6 x 14	2500818	M8 x 18	2501040	M10 x 40
2500615	M6 x 15	2500820	M8 x 20	2501045	M10 x 45
2500616	M6 x 16	2500823	M8 x 23	2501050	M10 x 50
2500617	M6 x 17	2500825	M8 x 25	2501055	M10 x 55
2500620	M6 x 20	2500830	M8 x 30	2501060	M10 x 60
2500625	M6 x 25	2500835	M8 x 35	2501065	M10 x 65
2500630	M6 x 30	2500840	M8 x 40	2501070	M10 x 70
2500635	M6 x 35	2500845	M8 x 45	2501080	M10 x 80
2500640	M6 x 40	2500850	M8 x 50	2501090	M10 x 90
2500645	M6 x 45	2500855	M8 x 55	25010100	M10 x 100
2500650	M6 x 50	2500860	M8 x 60	2501209	M12 x 9
2500655	M6 x 55	2500865	M8 x 65	2501210	M12 x 10
2500660	M6 x 60	2500870	M8 x 70	2501211	M12 x 11
2500670	M6 x 70	2500875	M8 x 75	2501212	M12 x 12
2500675	M6 x 75	2500880	M8 x 80	2501215	M12 x 15
2500680	M6 x 80	2500890	M8 x 90	2501220	M12 x 20
2500690	M6 x 90	2501004	M10 x 4	2501225	M12 x 25
2500804	M8 x 4	2501006	M10 x 6	2501230	M12 x 30
2500805	M8 x 5	2501007	M10 x 7	2501235	M12 x 35
2500806	M8 x 6	2501008	M10 x 8	2501240	M12 x 40
2500807	M8 x 7	2501010	M10 x 10	2501245	M12 x 45
2500808	M8 x 8	2501012	M10 x 12	2501250	M12 x 50
2500809	M8 x 9	2501013	M10 x 13	2501260	M12 x 60
2500810	M8 x 10	2501014	M10 x 14	2501270	M12 x 70
2500811	M8 x 11	2501015	M10 x 15	2501275	M12 x 75
2500812	M8 x 12	2501016	M10 x 16	2501280	M12 x 80
2500813	M8 x 13	2501020	M10 x 20		



Screws according to DIN of plastic | Slotted head screws ~DIN 84 PP

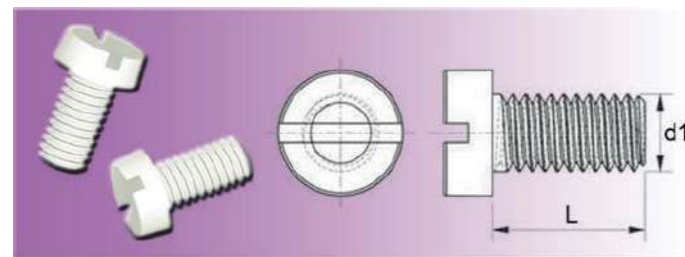


Slotted head screws ~DIN 84 (~DIN EN ISO 1207)

Material: PP  
Colour: natural

Part no.	d1 x L	Part no.	d1 x L	Part no.	d1 x L
2500310PP	M3 x 10	2500516PP	M5 x 16	2500625PP	M6 x 25
2500316PP	M3 x 16	2500520PP	M5 x 20	2500630PP	M6 x 30
2500320PP	M8 x 30	2500525PP	M5 x 25	2500810PP	M8 x 10
2500406PP	M4 x 6	2500530PP	M5 x 30	2500816PP	M8 x 16
2500410PP	M4 x 10	2500540PP	M5 x 40	2500820PP	M8 x 20
2500416PP	M4 x 16	2500608PP	M6 x 8	2500830PP	M8 x 30
2500420PP	M4 x 20	2500610PP	M6 x 10	2500840PP	M8 x 40
2500430PP	M4 x 30	2500616PP	M6 x 16	2501020PP	M10 x 20
2500510PP	M5 x 10	2500620PP	M6 x 20	2501040PP	M10 x 40

Screws according to DIN of plastic | Slotted head screws ~DIN 84 PVDF

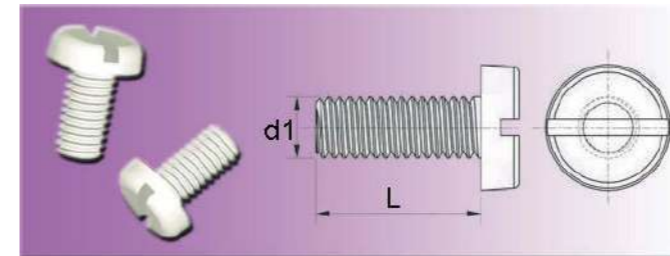


Slotted head screws ~DIN 84 (~DIN EN ISO 1207)

Material: PVDF  
Colour: natural

Part no.	d1 x L	Part no.	d1 x L	Part no.	d1 x L
2500310PVDF	M3 x 10	2500430PVDF	M4 x 30	2500608PVDF	M6 x 8
2500316PVDF	M3 x 16	2500510PVDF	M5 x 10	2500610PVDF	M6 x 10
2500320PVDF	M3 x 20	2500516PVDF	M5 x 16	2500616PVDF	M6 x 16
2500406PVDF	M4 x 6	2500520PVDF	M5 x 20	2500620PVDF	M6 x 20
2500410PVDF	M4 x 10	2500525PVDF	M5 x 25	2500625PVDF	M6 x 25
2500416PVDF	M4 x 16	2500530PVDF	M5 x 30	2500630PVDF	M6 x 30
2500420PVDF	M4 x 20	2500540PVDF	M5 x 40		

Screws according to DIN of plastic | Flat head screws ~DIN 85 PA



Flat head screws ~DIN 85 (~DIN EN ISO 1580)

Minimum order quantity:  
500 pcs. for M3  
200 pcs. for M4, M5 + M6  
100 pcs. from M8 upwards

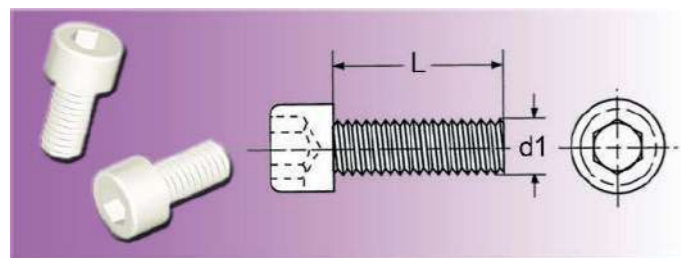
Material: PA 6.6  
Colour: natural

Part no.	d1 x L	Part no.	d1 x L	Part no.	d1 x L
0500304	M3 x 4	0500435	M4 x 35	0500608	M6 x 8
0500305	M3 x 5	0500440	M4 x 40	0500610	M6 x 10
0500306	M3 x 6	0500445	M4 x 45	0500612	M6 x 12
0500308	M3 x 8	0500450	M4 x 50	0500614	M6 x 14
0500310	M3 x 10	0500455	M4 x 55	0500615	M6 x 15
0500312	M3 x 12	0500460	M4 x 60	0500616	M6 x 16
0500315	M3 x 15	0500470	M4 x 70	0500617	M6 x 17
0500316	M3 x 16	0500504	M5 x 4	0500620	M6 x 20
0500318	M3 x 18	0500506	M5 x 6	0500625	M6 x 25
0500320	M3 x 20	0500507	M5 x 7	0500630	M6 x 30
0500322	M3 x 22	0500508	M5 x 8	0500635	M6 x 35
0500325	M3 x 25	0500509	M5 x 9	0500640	M6 x 40
0500330	M3 x 30	0500510	M5 x 10	0500645	M6 x 45
0500333	M3 x 33	0500512	M5 x 12	0500650	M6 x 50
0500335	M3 x 35	0500513	M5 x 13	0500655	M6 x 55
0500340	M3 x 40	0500514	M5 x 14	0500660	M6 x 60
0500345	M3 x 45	0500515	M5 x 15	0500670	M6 x 70
0500404	M4 x 4	0500516	M5 x 16	0500675	M6 x 75
0500405	M4 x 5	0500517	M5 x 17	0500680	M6 x 80
0500406	M4 x 6	0500520	M5 x 20	0500690	M6 x 90
0500408	M4 x 8	0500525	M5 x 25	0500804	M8 x 4
0500410	M4 x 10	0500530	M5 x 30	0500805	M8 x 5
0500412	M4 x 12	0500535	M5 x 35	0500806	M8 x 6
0500413	M4 x 13	0500540	M5 x 40	0500807	M8 x 7
0500414	M4 x 14	0500545	M5 x 45	0500808	M8 x 8
0500415	M4 x 15	0500550	M5 x 50	0500809	M8 x 9
0500416	M4 x 16	0500560	M5 x 60	0500810	M8 x 10
0500418	M4 x 18	0500565	M5 x 65	0500811	M8 x 11
0500420	M4 x 20	0500570	M5 x 70	0500812	M8 x 12
0500423	M4 x 23	0500580	M5 x 80	0500813	M8 x 13
0500425	M4 x 25	0500605	M6 x 5	0500815	M8 x 15
0500428	M4 x 28	0500606	M6 x 6	0500816	M8 x 16
0500430	M4 x 30	0500607	M6 x 7	0500817	M8 x 17

Part no.	d1 x L	Part no.	d1 x L	Part no.	d1 x L
0500818	M8 x 18	0501004	M10 x 4	0501065	M10 x 65
0500820	M8 x 20	0501006	M10 x 6	0501070	M10 x 70
0500823	M8 x 23	0501007	M10 x 7	0501080	M10 x 80
0500825	M8 x 25	0501008	M10 x 8	0501090	M10 x 90
0500826	M8 x 26	0501010	M10 x 10	0501209	M12 x 9
0500830	M8 x 30	0501012	M10 x 12	0501210	M12 x 10
0500835	M8 x 35	0501014	M10 x 14	0501211	M12 x 11
0500840	M8 x 40	0501015	M10 x 15	0501215	M12 x 15
0500845	M8 x 45	0501020	M10 x 20	0501220	M12 x 20
0500850	M8 x 50	0501025	M10 x 25	0501225	M12 x 25
0500855	M8 x 55	0501030	M10 x 30	0501230	M12 x 30
0500860	M8 x 60	0501035	M10 x 35	0501235	M12 x 35
0500865	M8 x 65	0501040	M10 x 40	0501240	M12 x 40
0500870	M8 x 70	0501045	M10 x 45	0501245	M12 x 45
0500875	M8 x 75	0501050	M10 x 50	0501250	M12 x 50
0500880	M8 x 80	0501055	M10 x 55	0501260	M12 x 60
0500890	M8 x 90	0501060	M10 x 60		

Part no.	d1 x L	Part no.	d1 x L	Part no.	d1 x L
2520455	M4 x 55	2520630	M6 x 30	2520890	M8 x 90
2520460	M4 x 60	2520635	M6 x 35	2521004	M10 x 4
2520470	M4 x 70	2520640	M6 x 40	2521006	M10 x 6
2520504	M5 x 4	2520645	M6 x 45	2521007	M10 x 7
2520506	M5 x 6	2520650	M6 x 50	2521008	M10 x 8
2520507	M5 x 7	2520655	M6 x 55	2521010	M10 x 10
2520508	M5 x 8	2520660	M6 x 60	2521012	M10 x 12
2520509	M5 x 9	2520665	M6 x 65	2521013	M10 x 13
2520510	M5 x 10	2520670	M6 x 70	2521014	M10 x 14
2520512	M5 x 12	2520675	M6 x 75	2521015	M10 x 15
2520513	M5 x 13	2520680	M6 x 80	2521016	M10 x 16
2520514	M5 x 14	2520690	M6 x 90	2521020	M10 x 20
2520515	M5 x 15	2520805	M8 x 5	2521025	M10 x 25
2520516	M5 x 16	2520806	M8 x 6	2521030	M10 x 30
2520517	M5 x 17	2520807	M8 x 7	2521035	M10 x 35
2520518	no longer available!	2520808	M8 x 8	2521040	M10 x 40
2520520	M5 x 20	2520809	M8 x 9	2521045	M10 x 45
2520525	M5 x 25	2520810	M8 x 10	2521050	M10 x 50
2520530	M5 x 30	2520811	M8 x 11	2521055	M10 x 55
2520535	M5 x 35	2520812	M8 x 12	2521060	M10 x 60
2520540	M5 x 40	2520813	M8 x 13	2521065	M10 x 65
2520545	M5 x 45	2520815	M8 x 15	2521070	M10 x 70
2520550	M5 x 50	2520816	M8 x 16	2521080	M10 x 80
2520555	M5 x 55	2520817	M8 x 17	2521090	M10 x 90
2520560	M5 x 60	2520820	M8 x 20	2521200	M12 x 100
2520565	M5 x 65	2520823	M8 x 23	2521209	M12 x 9
2520570	M5 x 70	2520825	M8 x 25	2521210	M12 x 10
2520580	M5 x 80	2520826	M8 x 26	2521211	M12 x 11
2520605	M6 x 5	2520830	M8 x 30	2521215	M12 x 15
2520606	M6 x 6	2520835	M8 x 35	2521220	M12 x 20
2520607	M6 x 7	2520840	M8 x 40	2521225	M12 x 25
2520608	M6 x 8	2520845	M8 x 45	2521230	M12 x 30
2520610	M6 x 10	2520850	M8 x 50	2521235	M12 x 35
2520612	M6 x 12	2520855	M8 x 55	2521240	M12 x 40
2520615	M6 x 15	2520860	M8 x 60	2521245	M12 x 45
2520616	M6 x 16	2520865	M8 x 65	2521250	M12 x 50
2520617	M6 x 17	2520870	M8 x 70	2521260	M12 x 60
2520620	M6 x 20	2520875	M8 x 75	2521270	M12 x 70
2520625	M6 x 25	2520880	M8 x 80	2521280	M12 x 80

Screws according to DIN of plastic | Socket head screws ~DIN 912 PA



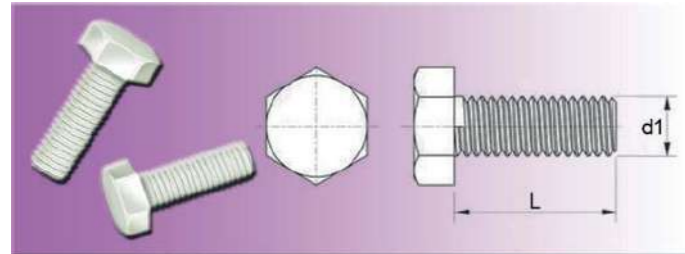
Socket head screws ~DIN 912 (~DIN EN ISO 4762)

Minimum order quantity: 1,000 pcs. per dimension and order

Material: PA 6.6  
Colour: natural

Part no.	d1 x L	Part no.	d1 x L	Part no.	d1 x L
2520304	M3 x 4	2520328	M3 x 28	2520414	M4 x 14
2520305	M3 x 5	2520330	M3 x 30	2520415	M4 x 15
2520306	M3 x 6	2520333	M3 x 33	2520416	M4 x 16
2520308	M3 x 8	2520335	M3 x 35	2520418	M4 x 18
2520310	M3 x 10	2520340	M3 x 40	2520420	M4 x 20
2520312	M3 x 12	2520345	M3 x 45	2520423	M4 x 23
2520314	M3 x 14	2520404	M4 x 4	2520425	M4 x 25
2520315	M3 x 15	2520405	M4 x 5	2520428	M4 x 28
2520316	M3 x 16	2520406	M4 x 6	2520430	M4 x 30
2520318	M3 x 18	2520408	M4 x 8	2520435	M4 x 35
2520320	M3 x 20	2520410	M4 x 10	2520440	M4 x 40
2520322	M3 x 22	2520412	M4 x 12	2520445	M4 x 45
2520325	M3 x 25	2520413	M4 x 13	2520450	M4 x 50

Screws according to DIN of plastic | Hexagon head screws ~DIN 933/931 PA



Hexagon head screws ~DIN 933/931 (~DIN 34810)

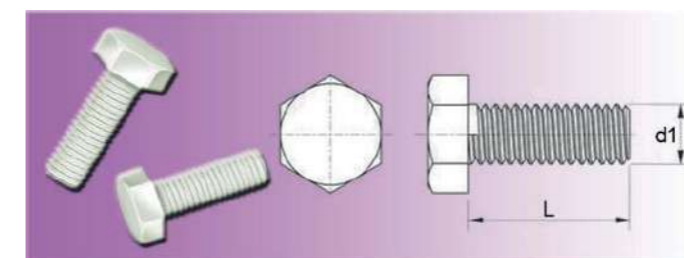
Minimum order quantity:  
500 pcs. for M3  
200 pcs. for M4, M5 + M6  
100 pcs. from M8 upwards

Material: PA 6.6  
Colour: natural (black on request)

Part no.	d1 x L	Part no.	d1 x L	Part no.	d1 x L
2510304	M3 x 4	2510504	M5 x 4	2510612	M6 x 12
2510305	M3 x 5	2510506	M5 x 6	2510615	M6 x 15
2510306	M3 x 6	2510507	M5 x 7	2510616	M6 x 16
2510308	M3 x 8	2510508	M5 x 8	2510617	M6 x 17
2510310	M3 x 10	2510509	M5 x 9	2510620	M6 x 20
2510312	M3 x 12	2510510	M5 x 10	2510625	M6 x 25
2510315	M3 x 15	2510512	M5 x 12	2510630	M6 x 30
2510316	M3 x 16	2510513	M5 x 13	2510635	M6 x 35
2510318	M3 x 18	2510514	M5 x 14	2510640	M6 x 40
2510320	M3 x 20	2510515	M5 x 15	2510645	M6 x 45
2510325	M3 x 25	2510516	M5 x 16	2510650	M6 x 50
2510330	M3 x 30	2510517	M5 x 17	2510660	M6 x 60
2510333	M3 x 33	2510520	M5 x 20	2510670	M6 x 70
2510404	M4 x 4	2510525	M5 x 25	2510675	M6 x 75
2510405	M4 x 5	2510530	M5 x 30	2510680	M6 x 80
2510406	M4 x 6	2510535	M5 x 35	2510690	M6 x 90
2510408	M4 x 8	2510540	M5 x 40	2510695	M6 x 95
2510410	M4 x 10	2510545	M5 x 45	25106100	M6 x 100
2510412	M4 x 12	2510550	M5 x 50	25106110	M6 x 110
2510413	M4 x 13	2510555	M5 x 55	25106120	M6 x 120
2510414	M4 x 14	2510560	M5 x 60	25106130	M6 x 130
2510415	M4 x 15	2510570	M5 x 70	2510804	M8 x 4
2510416	M4 x 16	2510575	M5 x 75	2510805	M8 x 5
2510418	M4 x 18	2510580	M5 x 80	2510806	M8 x 6
2510420	M4 x 20	2510590	M5 x 90	2510807	M8 x 7
2510423	M4 x 23	25105100	M5 x 100	2510808	M8 x 8
2510425	M4 x 25	25105110	M5 x 110	2510809	M8 x 9
2510428	M4 x 28	25105120	M5 x 120	2510810	M8 x 10
2510430	M4 x 30	2510605	M6 x 5	2510812	M8 x 12
2510435	M4 x 35	2510606	M6 x 6	2510813	M8 x 13
2510440	M4 x 40	2510607	M6 x 7	2510815	M8 x 15
2510460	M4 x 60	2510608	M6 x 8	2510816	M8 x 16
2510470	M4 x 70	2510610	M6 x 10	2510817	M8 x 17

Part no.	d1 x L	Part no.	d1 x L	Part no.	d1 x L
2510820	M8 x 20	2511008	M10 x 8	2511211	M12 x 11
2510823	M8 x 23	2511010	M10 x 10	2511212	M12 x 12
2510825	M8 x 25	2511012	M10 x 12	2511215	M12 x 15
2510826	M8 x 26	2511015	M10 x 15	2511216	M12 x 16
2510830	M8 x 30	2511020	M10 x 20	2511220	M12 x 20
2510835	M8 x 35	2511025	M10 x 25	2511225	M12 x 25
2510840	M8 x 40	2511030	M10 x 30	2511230	M12 x 30
2510845	M8 x 45	2511035	M10 x 35	2511235	M12 x 35
2510850	M8 x 50	2511040	M10 x 40	2511240	M12 x 40
2510860	M8 x 60	2511045	M10 x 45	2511245	M12 x 45
2510865	M8 x 65	2511050	M10 x 50	2511250	M12 x 50
2510870	M8 x 70	2511060	M10 x 60	2511260	M12 x 60
2510875	M8 x 75	2511070	M10 x 70	2511270	M12 x 70
2510880	M8 x 80	2511075	M10 x 75	2511275	M12 x 75
2510885	M8 x 85	2511080	M10 x 80	2511280	M12 x 80
2510890	M8 x 90	2511085	M10 x 85	2511285	M12 x 85
2510895	M8 x 95	2511090	M10 x 90	2511290	M12 x 90
25108100	M8 x 100	2511095	M10 x 95	2511295	M12 x 95
25108110	M8 x 110	25110100	M10 x 100	25112100	M12 x 100
25108120	M8 x 120	25110110	M10 x 110	25112110	M12 x 110
25108130	M8 x 130	25110120	M10 x 120	25112120	M12 x 120
2511004	M10 x 4	25110130	M10 x 130	25112130	M12 x 130
2511006	M10 x 6	2511209	M12 x 9	2511680	M 16 x 80
2511007	M10 x 7	2511210	M12 x 10		

Screws according to DIN of plastic | Hexagon head screws ~DIN 933 PP



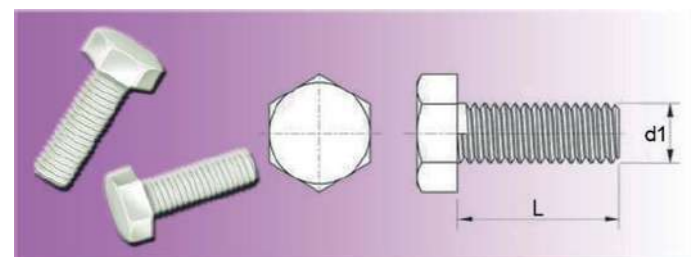
Hexagon head screws ~DIN 933 (~DIN 34810)

Material: PP  
Colour: natural

Part no.	d1 x L	Part no.	d1 x L	Part no.	d1 x L
2510310PP	M3 x 10	2510512PP	M5 x 12	2510620PP	M6 x 20
2510316PP	M3 x 16	2510516PP	M5 x 16	2510625PP	M6 x 25
2510320PP	M8 x 30	2510520PP	M5 x 20	2510640PP	M6 x 40
2510410PP	M4 x 10	2510525PP	M5 x 25	2510820PP	M8 x 20
2510416PP	M4 x 16	2510530PP	M5 x 30	2510830PP	M8 x 30
2510420PP	M4 x 20	2510616PP	M6 x 16	2510840PP	M8 x 40

Part no.	d1 x L	Part no.	d1 x L	Part no.	d1 x L
2510860PP	M8 x 60	2511060PP	M10 x 60	2511260PP	M12 x 60
2511020PP	M10 x 20	2511240PP	M12 x 40		

Screws according to DIN of plastic | Hexagon head screws ~DIN 933 PVDF

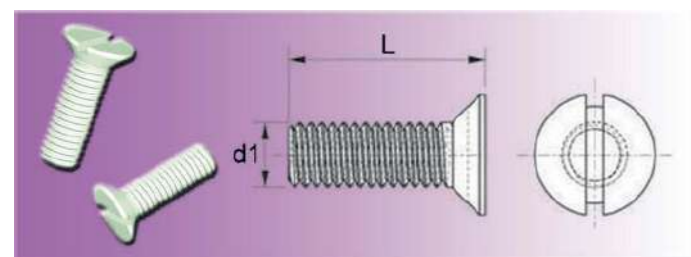


Hexagon head screws ~DIN 933 (~DIN 34810)

Material: PVDF  
Colour: natural

Part no.	d1 x L	Part no.	d1 x L	Part no.	d1 x L
2510310PVDF	M3 x 10	2510430PVDF	M4 x 30	2510610PVDF	M6 x 10
2510316PVDF	M3 x 16	2510512PVDF	M5 x 12	2510612PVDF	M6 x 12
2510320PVDF	M3 x 20	2510516PVDF	M5 x 16	2510616PVDF	M6 x 16
2510410PVDF	M4 x 10	2510520PVDF	M5 x 20	2510620PVDF	M6 x 20
2510416PVDF	M4 x 16	2510525PVDF	M5 x 25	2510625PVDF	M6 x 25
2510420PVDF	M4 x 20	2510530PVDF	M5 x 30	2510640PVDF	M6 x 40

Screws according to DIN of plastic | Countersunk head screws with slot ~DIN 963 PA



Countersunk head screws with slot ~DIN 963 (~DIN EN ISO 2009)

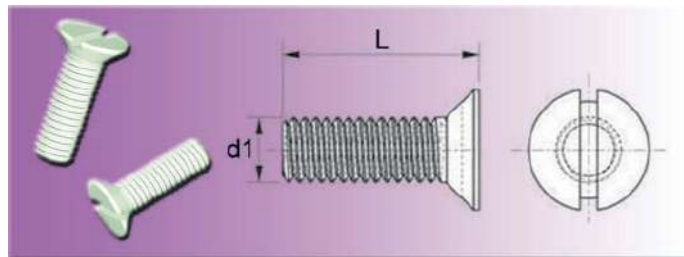
Minimum order quantity:  
500 pcs. for M3  
200 pcs. for M4, M5 + M6  
100 pcs. from M8 upwards

Material: PA 6.6  
Colour: natural

Part no.	d1 x L	Part no.	d1 x L	Part no.	d1 x L
2480305	M3 x 5	2480320	M3 x 20	2480342	M3 x 42
2480306	M3 x 6	2480322	M3 x 22	2480344	M3 x 44
2480308	M3 x 8	2480324	M3 x 24	2480404	M4 x 4
2480310	M3 x 10	2480325	M3 x 25	2480406	M4 x 6
2480312	M3 x 12	2480327	M3 x 27	2480407	M4 x 7
2480314	M3 x 14	2480329	M3 x 29	2480408	M4 x 8
2480315	M3 x 15	2480330	M3 x 30	2480410	M4 x 10
2480316	M3 x 16	2480332	M3 x 32	2480412	M4 x 12
2480317	M3 x 17	2480334	M3 x 34	2480414	M4 x 14
2480318	M3 x 18	2480335	M3 x 35	2480415	M4 x 15
2480319	M3 x 19	2480337	M3 x 37	2480416	M4 x 16

Part no.	d1 x L	Part no.	d1 x L	Part no.	d1 x L
2480417	M4 x 17	2480548	M5 x 48	2480817	M8 x 17
2480418	M4 x 18	2480550	M5 x 50	2480818	M8 x 18
2480420	M4 x 20	2480553	M5 x 53	2480820	M8 x 20
2480422	M4 x 22	2480555	M5 x 55	2480821	M8 x 21
2480425	M4 x 25	2480563	M5 x 63	2480822	M8 x 22
2480427	M4 x 27	2480583	M5 x 83	2480825	M8 x 25
2480430	M4 x 30	2480608	M6 x 8	2480828	M8 x 28
2480432	M4 x 32	2480610	M6 x 10	2480830	M8 x 30
2480435	M4 x 35	2480611	M6 x 11	2480835	M8 x 35
2480440	M4 x 40	2480612	M6 x 12	2480840	M8 x 40
2480442	M4 x 42	2480613	M6 x 13	2480845	M8 x 45
2480472	M4 x 72	2480615	M6 x 15	2480850	M8 x 50
2480507	M5 x 7	2480616	M6 x 16	2480855	M8 x 55
2480508	M5 x 8	2480617	M6 x 17	2480860	M8 x 60
2480509	M5 x 9	2480619	M6 x 19	2480865	M8 x 65
2480510	M5 x 10	2480620	M6 x 20	2480870	M8 x 70
2480511	M5 x 11	2480621	M6 x 21	2480875	M8 x 75
2480512	M5 x 12	2480622	M6 x 22	2480880	M8 x 80
2480513	M5 x 13	2480624	M6 x 24	2481010	M10 x 10
2480514	M5 x 14	2480625	M6 x 25	2481011	M10 x 11
2480515	M5 x 15	2480630	M6 x 30	2481012	M10 x 12
2480516	M5 x 16	2480635	M6 x 35	2481013	M10 x 13
2480517	M5 x 17	2480640	M6 x 40	2481015	M10 x 15
2480518	M5 x 18	2480645	M6 x 45	2481016	M10 x 16
2480519	M5 x 19	2480650	M6 x 50	2481018	M10 x 18
2480520	M5 x 20	2480655	M6 x 55	2481020	M10 x 20
2480521	M5 x 21	2480660	M6 x 60	2481025	M10 x 25
2480522	M5 x 22	2480665	M6 x 65	2481030	M10 x 30
2480523	M5 x 23	2480675	M6 x 75	2481035	M10 x 35
2480525	M5 x 25	2480680	M6 x 80	2481040	M10 x 40
2480530	M5 x 30	2480685	M6 x 85	2481045	M10 x 45
2480533	M5 x 33	2480810	M8 x 10	2481050	M10 x 50
2480535	M5 x 35	2480812	M8 x 12	2481055	M10 x 55
2480538	M5 x 38	2480813	M8 x 13	2481060	M10 x 60
2480540	M5 x 40	2480814	M8 x 14	2481065	M10 x 65
2480543	M5 x 43	2480815	M8 x 15	2481070	M10 x 70
2480545	M5 x 45	2480816	M8 x 16	2481080	M10 x 80

Screws according to DIN of plastic | Countersunk head screws with slot ~DIN 963 PP

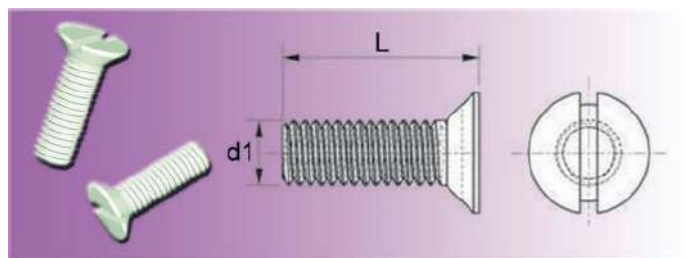


Countersunk head screws with slot ~DIN 963 (~DIN EN ISO 2009)

Material: PP  
Colour: natural

Part no.	d1 x L	Part no.	d1 x L	Part no.	d1 x L
2480316PP	M3 x 16	2480520PP	M5 x 20	2480640PP	M6 x 40
2480320PP	M3 x 20	2480525PP	M5 x 25	2480660PP	M6 x 60
2480410PP	M4 x 10	2480530PP	M5 x 30	2480816PP	M8 x 16
2480412PP	M4 x 12	2480540PP	M5 x 40	2480820PP	M8 x 20
2480416PP	M4 x 16	2480610PP	M6 x 10	2480825PP	M8 x 25
2480420PP	M4 x 20	2480616PP	M6 x 16	2480830PP	M8 x 30
2480425PP	M4 x 25	2480620PP	M6 x 20	2481040PP	M10 x 40
2480510PP	M5 x 10	2480625PP	M6 x 25		
2480516PP	M5 x 16	2480630PP	M6 x 30		

Screws according to DIN of plastic | Countersunk head screws with slot ~DIN 963 PVDF

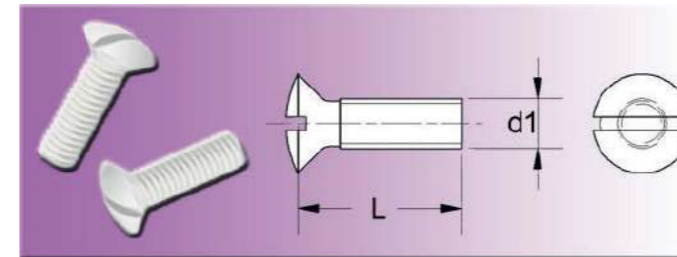


Countersunk head screws with slot ~DIN 963 (~DIN EN ISO 2009)

Material: PVDF  
Colour: natural

Part no.	d1 x L	Part no.	d1 x L	Part no.	d1 x L
2480309PVDF	M3 x 9	2480420PVDF	M4 x 20	2480610PVDF	M6 x 10
2480310PVDF	M3 x 10	2480425PVDF	M4 x 25	2480612PVDF	M6 x 12
2480312PVDF	M3 x 12	2480510PVDF	M5 x 10	2480616PVDF	M6 x 16
2480316PVDF	M3 x 16	2480516PVDF	M5 x 16	2480620PVDF	M6 x 20
2480320PVDF	M3 x 20	2480520PVDF	M5 x 20	2480625PVDF	M6 x 25
2480410PVDF	M4 x 10	2480525PVDF	M5 x 25	2480630PVDF	M6 x 30
2480412PVDF	M4 x 12	2480530PVDF	M5 x 30	2480640PVDF	M6 x 40
2480416PVDF	M4 x 16	2480540PVDF	M5 x 40	2480660PVDF	M6 x 60

Screws according to DIN of plastic | Raised countersunk screws ~DIN 964 PA



Raised countersunk screws ~DIN 964 (~DIN EN ISO 2010)

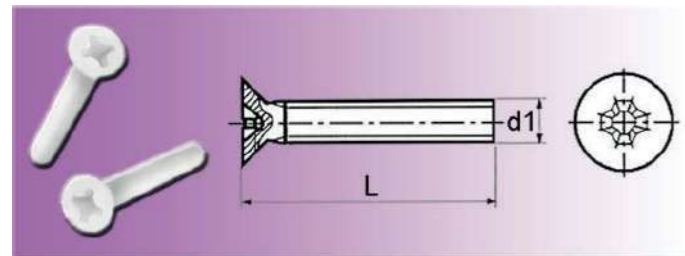
Minimum order quantity: 1,000 pcs. per dimension and order

Material: PA 6.6  
Colour: natural

Part no.	d1 x L	Part no.	d1 x L	Part no.	d1 x L
2470305	M3 x 5	2470418	M4 x 18	2470540	M5 x 40
2470306	M3 x 6	2470420	M4 x 20	2470543	M5 x 43
2470308	M3 x 8	2470422	M4 x 22	2470545	M5 x 45
2470310	M3 x 10	2470425	M4 x 25	2470548	M5 x 48
2470312	M3 x 12	2470427	M4 x 27	2470550	M5 x 50
2470314	M3 x 14	2470430	M4 x 30	2470553	M5 x 53
2470316	M3 x 16	2470432	M4 x 32	2470555	M5 x 55
2470317	M3 x 17	2470435	M4 x 35	2470563	M5 x 63
2470318	M3 x 18	2470440	M4 x 40	2470583	M5 x 83
2470319	M3 x 19	2470442	M4 x 42	2470608	M6 x 8
2470320	M3 x 20	2470472	M4 x 72	2470610	M6 x 10
2470322	M3 x 22	2470507	M5 x 7	2470611	M6 x 11
2470324	M3 x 24	2470508	M5 x 8	2470612	M6 x 12
2470325	M3 x 25	2470509	M5 x 9	2470613	M6 x 13
2470327	M3 x 27	2470510	M5 x 10	2470615	M6 x 15
2470329	M3 x 29	2470511	M5 x 11	2470616	M6 x 16
2470330	M3 x 30	2470512	M5 x 12	2470617	M6 x 17
2470332	M3 x 32	2470513	M5 x 13	2470619	M6 x 19
2470334	M3 x 34	2470514	M5 x 14	2470620	M6 x 20
2470335	M3 x 35	2470515	M5 x 15	2470621	M6 x 21
2470337	M3 x 37	2470516	M5 x 16	2470622	M6 x 22
2470342	M3 x 42	2470517	M5 x 17	2470625	M6 x 25
2470344	M3 x 44	2470518	M5 x 18	2470630	M6 x 30
2470404	M4 x 4	2470519	M5 x 19	2470635	M6 x 35
2470406	M4 x 6	2470520	M5 x 20	2470640	M6 x 40
2470407	M4 x 7	2470521	M5 x 21	2470645	M6 x 45
2470408	M4 x 8	2470522	M5 x 22	2470650	M6 x 50
2470410	M4 x 10	2470523	M5 x 23	2470655	M6 x 55
2470412	M4 x 12	2470525	M5 x 25	2470660	M6 x 60
2470414	M4 x 14	2470530	M5 x 30	2470665	M6 x 65
2470415	M4 x 15	2470533	M5 x 33	2470675	M6 x 75
2470416	M4 x 16	2470535	M5 x 35	2470680	M6 x 80
2470417	M4 x 17	2470538	M5 x 38	2470685	M6 x 85

Part no.	d1 x L	Part no.	d1 x L	Part no.	d1 x L
2470810	M8 x 10	2470820	M8 x 20	2470845	M8 x 45
2470812	M8 x 12	2470821	M8 x 21	2470850	M8 x 50
2470813	M8 x 13	2470822	M8 x 22	2470855	M8 x 55
2470814	M8 x 14	2470825	M8 x 25	2470860	M8 x 60
2470815	M8 x 15	2470828	M8 x 28	2470865	M8 x 65
2470816	M8 x 16	2470830	M8 x 30	2470870	M8 x 70
2470817	M8 x 17	2470835	M8 x 35	2470875	M8 x 75
2470818	M8 x 18	2470840	M8 x 40	2470880	M8 x 80

Screws according to DIN of plastic | Countersunk screws with cross slot ~DIN 965 PA

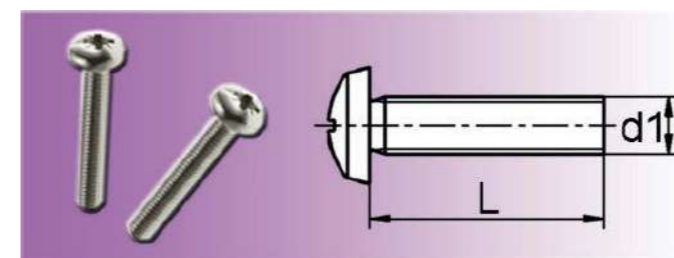


Countersunk screws with cross slot ~DIN 965 (~DIN 34811)  
 Minimum order quantity: 1,000 pcs. per dimension and order  
 Material: PA 6.6  
 Colour: natural

Part no.	d1 x L	Part no.	d1 x L	Part no.	d1 x L
2460305	M3 x 5	2460344	M3 x 44	2460507	M5 x 7
2460306	M3 x 6	2460404	M4 x 4	2460508	M5 x 8
2460308	M3 x 8	2460406	M4 x 6	2460509	M5 x 9
2460310	M3 x 10	2460407	M4 x 7	2460510	M5 x 10
2460312	M3 x 12	2460408	M4 x 8	2460511	M5 x 11
2460314	M3 x 14	2460410	M4 x 10	2460512	M5 x 12
2460316	M3 x 16	2460412	M4 x 12	2460513	M5 x 13
2460317	M3 x 17	2460414	M4 x 14	2460514	M5 x 14
2460318	M3 x 18	2460415	M4 x 15	2460515	M5 x 15
2460319	M3 x 19	2460416	M4 x 16	2460516	M5 x 16
2460320	M3 x 20	2460417	M4 x 17	2460517	M5 x 17
2460322	M3 x 22	2460418	M4 x 18	2460518	M5 x 18
2460324	M3 x 24	2460420	M4 x 20	2460519	M5 x 19
2460325	M3 x 25	2460422	M4 x 22	2460520	M5 x 20
2460327	M3 x 27	2460425	M4 x 25	2460521	M5 x 21
2460329	M3 x 29	2460427	M4 x 27	2460522	M5 x 22
2460330	M3 x 30	2460430	M4 x 30	2460523	M5 x 23
2460332	M3 x 32	2460432	M4 x 32	2460525	M5 x 25
2460334	M3 x 34	2460435	M4 x 35	2460530	M5 x 30
2460335	M3 x 35	2460440	M4 x 40	2460533	M5 x 33
2460337	M3 x 37	2460442	M4 x 42	2460535	M5 x 35
2460342	M3 x 42	2460472	M4 x 72	2460538	M5 x 38

Part no.	d1 x L	Part no.	d1 x L	Part no.	d1 x L
2460540	M5 x 40	2460621	M6 x 21	2460816	M8 x 16
2460543	M5 x 43	2460622	M6 x 22	2460817	M8 x 17
2460545	M5 x 45	2460624	M6 x 24	2460818	M8 x 18
2460548	M5 x 48	2460625	M6 x 25	2460820	M8 x 20
2460550	M5 x 50	2460630	M6 x 30	2460821	M8 x 21
2460553	M5 x 53	2460635	M6 x 35	2460822	M8 x 22
2460555	M5 x 55	2460640	M6 x 40	2460825	M8 x 25
2460563	M5 x 63	2460645	M6 x 45	2460828	M8 x 28
2460565	M5 x 65	2460650	M6 x 50	2460830	M8 x 30
2460583	M5 x 83	2460655	M6 x 55	2460835	M8 x 35
2460608	M6 x 8	2460660	M6 x 60	2460840	M8 x 40
2460610	M6 x 10	2460665	M6 x 65	2460845	M8 x 45
2460611	M6 x 11	2460675	M6 x 75	2460850	M8 x 50
2460612	M6 x 12	2460680	M6 x 80	2460855	M8 x 55
2460613	M6 x 13	2460685	M6 x 85	2460860	M8 x 60
2460615	M6 x 15	2460810	M8 x 10	2460865	M8 x 65
2460616	M6 x 16	2460812	M8 x 12	2460870	M8 x 70
2460617	M6 x 17	2460813	M8 x 13	2460875	M8 x 75
2460619	M6 x 19	2460814	M8 x 14	2460880	M8 x 80
2460620	M6 x 20	2460815	M8 x 15		

Screws according to DIN of metal | Lens head screws ~DIN 7985 stainless steel

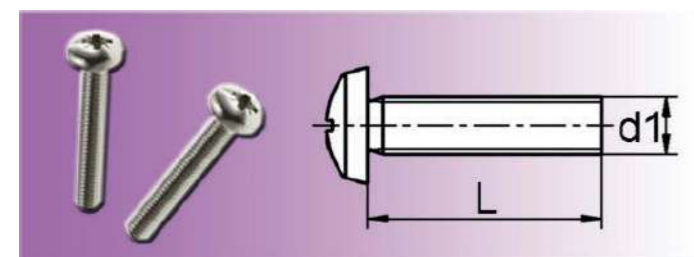


Lens head screws - metal, cross slot  
 ~DIN 7985 (~DIN EN ISO 7045 - form H)  
 Material: stainless steel A2

Part no.	d1 x L	Part no.	d1 x L	Part no.	d1 x L
549010453	M2 x 4	549021653	M2,5 x 16	549032053	M3 x 20
549010553	M2 x 5	549022053	M2,5 x 20	549032553	M3 x 25
549010653	M2 x 6	549030453	M3 x 4	549033053	M3 x 30
549010853	M2 x 8	549030553	M3 x 5	549040653	M4 x 6
549011053	M2 x 10	549030653	M3 x 6	549040853	M4 x 8
549011253	M2 x 12	549030853	M3 x 8	549041053	M4 x 10
549020453	M2,5 x 4	549031053	M3 x 10	549041253	M4 x 12
549020653	M2,5 x 6	549031253	M3 x 12	549041453	M4 x 14
549020853	M2,5 x 8	549031453	M3 x 14	549041653	M4 x 16
549021053	M2,5 x 10	549031653	M3 x 16	549042053	M4 x 20

Part no.	d1 x L	Part no.	d1 x L	Part no.	d1 x L
549042553	M4 x 25	549051653	M5 x 16	549062553	M6 x 25
549043053	M4 x 30	549052053	M5 x 20	549063053	M6 x 30
549043553	M4 x 35	549052553	M5 x 25	549063553	M6 x 35
549044053	M4 x 40	549053053	M5 x 30	549064053	M6 x 40
549044553	M4 x 45	549053553	M5 x 35	549065053	M6 x 50
549045053	M4 x 50	549054053	M5 x 40	549066053	M6 x 60
549050653	M5 x 6	549061053	M6 x 10	549067053	M6 x 70
549050853	M5 x 8	549061253	M6 x 12	549068053	M6 x 80
549051053	M5 x 10	549061653	M6 x 16	549069053	M6 x 90
549051253	M5 x 12	549062053	M6 x 20		

Screws according to DIN of metal | Lens head screws ~DIN 7985 machining steel



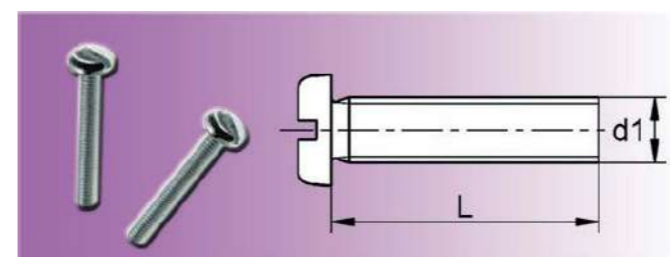
Lens head screws - metal, cross slot  
~DIN 7985 (~DIN EN ISO 7045 - form H)

Material: machining steel 4.8 zinc-plated

Part no.	d1 x L	Part no.	d1 x L	Part no.	d1 x L
549010452	M2 x 4	549031452	M3 x 14	549045052	M4 x 50
549010652	M2 x 6	549031652	M3 x 16	549045552	M4 x 55
549010852	M2 x 8	549031852	M3 x 18	549050652	M5 x 6
549011052	M2 x 10	549032052	M3 x 20	549050852	M5 x 8
549011252	M2 x 12	549032552	M3 x 25	549051052	M5 x 10
549011652	M2 x 16	549033052	M3 x 30	549051252	M5 x 12
549020452	M2,5 x 4	549033552	M3 x 35	549051452	M5 x 14
549020552	M2,5 x 5	549034052	M3 x 40	549051652	M5 x 16
549020652	M2,5 x 6	549040652	M4 x 6	549051852	M5 x 18
549020852	M2,5 x 8	549040852	M4 x 8	549052052	M5 x 20
549021052	M2,5 x 10	549041052	M4 x 10	549052552	M5 x 25
549021252	M2,5 x 12	549041252	M4 x 12	549053052	M5 x 30
549021652	M2,5 x 16	549041452	M4 x 14	549053552	M5 x 35
549022052	M2,5 x 20	549041852	M4 x 18	549054052	M5 x 40
549030452	M3 x 4	549042052	M4 x 20	549055052	M5 x 50
549030552	M3 x 5	549042552	M4 x 25	549061052	M6 x 10
549030652	M3 x 6	549043052	M4 x 30	549061252	M6 x 12
549030852	M3 x 8	549043552	M4 x 35	549061452	M6 x 14
549031052	M3 x 10	549044052	M4 x 40	549061652	M6 x 16
549031252	M3 x 12	549044552	M4 x 45	549062052	M6 x 20

Part no.	d1 x L	Part no.	d1 x L	Part no.	d1 x L
549062552	M6 x 25	549065552	M6 x 55	549081252	M8 x 12
549063052	M6 x 30	549066052	M6 x 60	549081652	M8 x 16
549063552	M6 x 35	549066552	M6 x 65	549082052	M8 x 20
549064052	M6 x 40	549067052	M6 x 70	549082552	M8 x 25
549064552	M6 x 45	549068052	M6 x 80	549083052	M8 x 30
549065052	M6 x 50	549069052	M6 x 90	549085052	M8 x 50

Screws according to DIN of metal | Pan head screws ~DIN 85 stainless steel

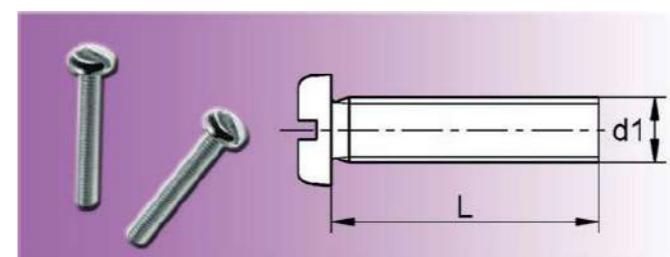


Pan head screws - metal  
~DIN 85 (~DIN EN ISO 1580)

Material: stainless steel A2

Part no.	d1 x L	Part no.	d1 x L	Part no.	d1 x L
450030653	M3 x 6	450041053	M4 x 10	450052053	M5 x 20
450030853	M3 x 8	450041253	M4 x 12	450053053	M5 x 30
450031053	M3 x 10	450041653	M4 x 16	450054053	M5 x 40
450031253	M3 x 12	450042053	M4 x 20	450061653	M6 x 16
450031653	M3 x 16	450042553	M4 x 25	450062053	M6 x 20
450032053	M3 x 20	450043053	M4 x 30	450063053	M6 x 30
450040653	M4 x 6	450051053	M5 x 10	450064053	M6 x 40
450040853	M4 x 8	450051653	M5 x 16		

Screws according to DIN of metal | Pan head screws ~DIN 85 machining steel



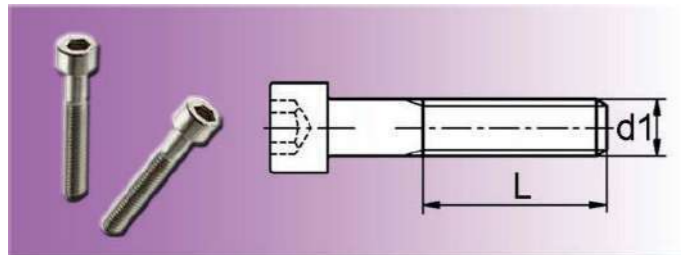
Pan head screws - metal  
~DIN 85 (~DIN EN ISO 1580)

Material: machining steel 4.8 zinc-plated

Part no.	d1 x L	Part no.	d1 x L	Part no.	d1 x L
450030652	M3 x 6	450032052	M3 x 20	450041652	M4 x 16
450030852	M3 x 8	450040652	M4 x 6	450042052	M4 x 20
450031052	M3 x 10	450040852	M4 x 8	450042552	M4 x 25
450031252	M3 x 12	450041052	M4 x 10	450043052	M4 x 30
450031652	M3 x 16	450041252	M4 x 12	450051052	M5 x 10

Part no.	d1 x L	Part no.	d1 x L	Part no.	d1 x L
450051652	M5 x 16	450054052	M5 x 40	450063052	M6 x 30
450052052	M5 x 20	450061652	M6 x 16	450064052	M6 x 40
450053052	M5 x 30	450062052	M6 x 20		

Screws according to DIN of metal | Cylinder head screws ~DIN 912 stainless steel

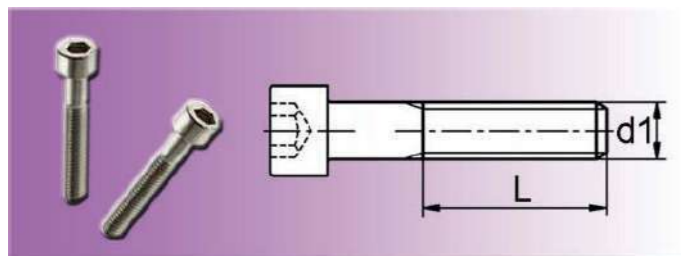


Cylinder head screws - metal, internal hexagon ~DIN 912 (~DIN EN ISO 4762)

Material: stainless steel A2

Part no.	d1 x L	Part no.	d1 x L	Part no.	d1 x L
552030653	M3 x 6	552040853	M4 x 8	552051053	M5 x 10
552030853	M3 x 8	552041053	M4 x 10	552051253	M5 x 12
552031053	M3 x 10	552041253	M4 x 12	552051653	M5 x 16
552031253	M3 x 12	552041653	M4 x 16	552052053	M5 x 20
552031653	M3 x 16	552042053	M4 x 20	552052553	M5 x 25
552032053	M3 x 20	552042553	M4 x 25	552053053	M5 x 30
552040653	M4 x 6	552050853	M5 x 8		

Screws according to DIN of metal | Cylinder head screws ~DIN 912 machining steel

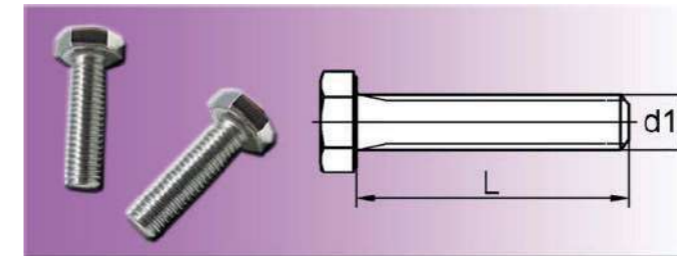


Cylinder head screws - metal, internal hexagon ~DIN 912 (~DIN EN ISO 4762)

Material: machining steel 4.8 zinc-plated

Part no.	d1 x L	Part no.	d1 x L	Part no.	d1 x L
552030652	M3 x 6	552040852	M4 x 8	552051052	M5 x 10
552030852	M3 x 8	552041052	M4 x 10	552051252	M5 x 12
552031052	M3 x 10	552041252	M4 x 12	552051652	M5 x 16
552031252	M3 x 12	552041652	M4 x 16	552052052	M5 x 20
552031652	M3 x 16	552042052	M4 x 20	552052552	M5 x 25
552032052	M3 x 20	552042552	M4 x 25	552053052	M5 x 30
552040652	M4 x 6	552050852	M5 x 8		

Screws according to DIN of metal | Hexagon head screws ~DIN 933 stainless steel

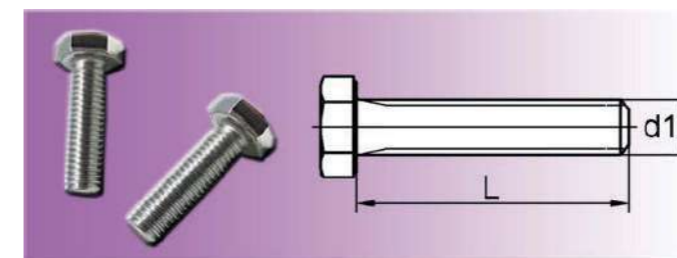


Hexagon head screws - metal ~DIN 933 (~DIN EN ISO 4017, threaded to head)

Material: stainless steel A2

Part no.	d1 x L	Part no.	d1 x L	Part no.	d1 x L
551040653	M4 x 6	551052053	M5 x 20	551064053	M6 x 40
551040853	M4 x 8	551052253	M5 x 22	551064553	M6 x 45
551041053	M4 x 10	551052553	M5 x 25	551065053	M6 x 50
551041253	M4 x 12	551053053	M5 x 30	551065553	M6 x 55
551041653	M4 x 16	551054053	M5 x 40	551066053	M6 x 60
551042053	M4 x 20	551054553	M5 x 45	551067053	M6 x 70
551042553	M4 x 25	551055053	M5 x 50	551081053	M8 x 10
551043053	M4 x 30	551055553	M5 x 55	551081253	M8 x 12
551043553	M4 x 35	551061053	M6 x 10	551081653	M8 x 16
551044053	M4 x 40	551061253	M6 x 12	551082053	M8 x 20
551045053	M4 x 50	551061453	M6 x 14	551082553	M8 x 25
551050853	M5 x 8	551061653	M6 x 16	551083053	M8 x 30
551051053	M5 x 10	551062053	M6 x 20	551083553	M8 x 35
551051253	M5 x 12	551062553	M6 x 25	551084053	M8 x 40
551051653	M5 x 16	551063053	M6 x 30	551084553	M8 x 45
551051853	M5 x 18	551063553	M6 x 35	551085053	M8 x 50

Screws according to DIN of metal | Hexagon head screws ~DIN 933 machining steel



Hexagon head screws - metal ~DIN 933 (~DIN EN ISO 4017, fully threaded)

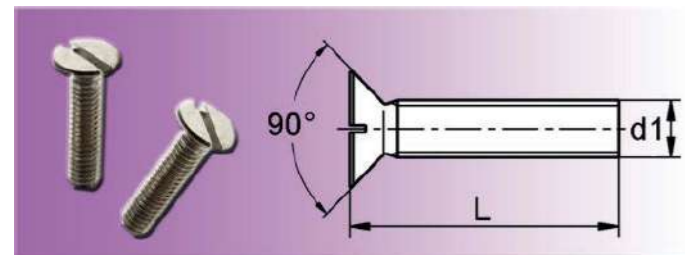
Material: machining steel 4.8 zinc-plated

Part no.	d1 x L	Part no.	d1 x L	Part no.	d1 x L
551040652	M4 x 6	551042552	M4 x 25	551051052	M5 x 10
551040852	M4 x 8	551043052	M4 x 30	551051252	M5 x 12
551041052	M4 x 10	551043552	M4 x 35	551051652	M5 x 16
551041252	M4 x 12	551044052	M4 x 40	551051852	M5 x 18
551041652	M4 x 16	551045052	M4 x 50	551052052	M5 x 20
551042052	M4 x 20	551050852	M5 x 8	551052252	M5 x 22



Part no.	d1 x L	Part no.	d1 x L	Part no.	d1 x L
551052552	M5 x 25	551062052	M6 x 20	551081052	M8 x 10
551053052	M5 x 30	551062552	M6 x 25	551081252	M8 x 12
551054052	M5 x 40	551063052	M6 x 30	551081652	M8 x 16
551054552	M5 x 45	551063552	M6 x 35	551082052	M8 x 20
551055052	M5 x 50	551064052	M6 x 40	551082552	M8 x 25
551055552	M5 x 55	551064552	M6 x 45	551083052	M8 x 30
551061052	M6 x 10	551065052	M6 x 50	551083552	M8 x 35
551061252	M6 x 12	551065552	M6 x 55	551084052	M8 x 40
551061452	M6 x 14	551066052	M6 x 60	551084552	M8 x 45
551061652	M6 x 16	551067052	M6 x 70	551085052	M8 x 50

Screws according to DIN of metal | Countersunk screws ~DIN 963 stainless steel

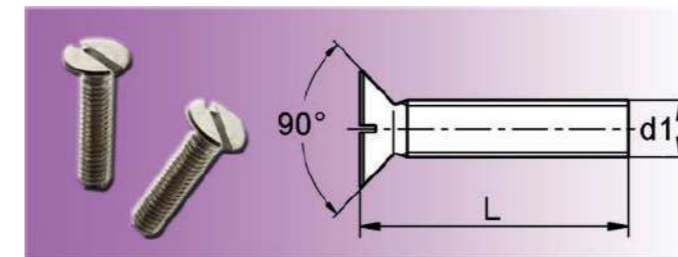


Countersunk screws - metal  
~DIN 963 (~DIN EN ISO 2009)

Material: stainless steel A2

Part no.	d1 x L	Part no.	d1 x L	Part no.	d1 x L
548030653	M3 x 6	548042053	M4 x 20	548055053	M5 x 50
548030853	M3 x 8	548042553	M4 x 25	548061053	M6 x 10
548031053	M3 x 10	548043053	M4 x 30	548061253	M6 x 12
548031253	M3 x 12	548043553	M4 x 35	548061653	M6 x 16
548031653	M3 x 16	548051053	M5 x 10	548062053	M6 x 20
548032053	M3 x 20	548051253	M5 x 12	548062553	M6 x 25
548032553	M3 x 25	548051653	M5 x 16	548063053	M6 x 30
548040653	M4 x 6	548052053	M5 x 20	548063553	M6 x 35
548040853	M4 x 8	548052553	M5 x 25	548064053	M6 x 40
548041053	M4 x 10	548053053	M5 x 30	548064553	M6 x 45
548041253	M4 x 12	548053553	M5 x 35	548065053	M6 x 50
548041653	M4 x 16	548054053	M5 x 40		

Screws according to DIN of metal | Countersunk screws ~DIN 963 machining steel

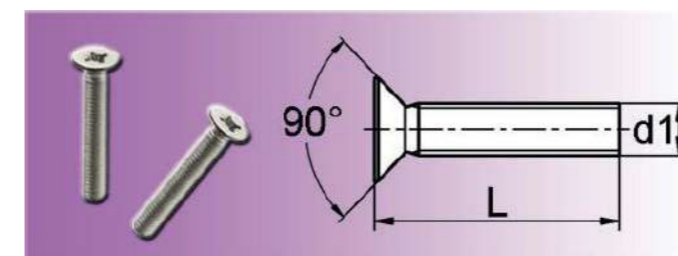


Countersunk screws - metal  
~DIN 963 (~DIN EN ISO 2009)

Material: machining steel 4.8 zinc-plated

Part no.	d1 x L	Part no.	d1 x L	Part no.	d1 x L
548030652	M3 x 6	548042052	M4 x 20	548055052	M5 x 50
548030852	M3 x 8	548042552	M4 x 25	548061052	M6 x 10
548031052	M3 x 10	548043052	M4 x 30	548061252	M6 x 12
548031252	M3 x 12	548043552	M4 x 35	548061652	M6 x 16
548031652	M3 x 16	548051052	M5 x 10	548062052	M6 x 20
548032052	M3 x 20	548051252	M5 x 12	548062552	M6 x 25
548032552	M3 x 25	548051652	M5 x 16	548063052	M6 x 30
548040652	M4 x 6	548052052	M5 x 20	548063552	M6 x 35
548040852	M4 x 8	548052552	M5 x 25	548064052	M6 x 40
548041052	M4 x 10	548053052	M5 x 30	548064552	M6 x 45
548041252	M4 x 12	548053552	M5 x 35	548065052	M6 x 50
548041652	M4 x 16	548054052	M5 x 40		

Screws according to DIN of metal | Countersunk screws ~DIN 965 stainless steel



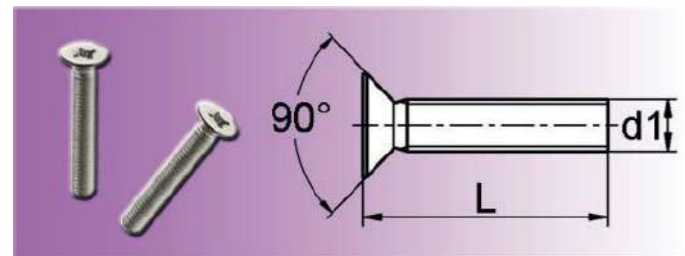
Countersunk screws - metal, cross slot  
~DIN 965 (~DIN EN ISO 7046)

Material: stainless steel A2

Part no.	d1 x L	Part no.	d1 x L	Part no.	d1 x L
546030653	M3 x 6	546041053	M4 x 10	546051653	M5 x 16
546030853	M3 x 8	546041253	M4 x 12	546052053	M5 x 20
546031053	M3 x 10	546041653	M4 x 16	546052553	M5 x 25
546031253	M3 x 12	546042053	M4 x 20	546053053	M5 x 30
546031653	M3 x 16	546042553	M4 x 25	546053553	M5 x 35
546032053	M3 x 20	546043053	M4 x 30	546054053	M5 x 40
546032553	M3 x 25	546043553	M4 x 35	546054553	M5 x 45
546033053	M3 x 30	546044053	M4 x 40	546055053	M5 x 50
546040653	M4 x 6	546051053	M5 x 10	546060853	M6 x 8
546040853	M4 x 8	546051253	M5 x 12	546061053	M6 x 10

Part no.	d1 x L	Part no.	d1 x L	Part no.	d1 x L
546061253	M6 x 12	546065053	M6 x 50	546084053	M8 x 40
546061653	M6 x 16	546066053	M6 x 60	546085053	M8 x 50
546062053	M6 x 20	546081253	M8 x 12	546086053	M8 x 60
546062553	M6 x 25	546081653	M8 x 16	546102053	M10 x 20
546063053	M6 x 30	546082053	M8 x 20	546102553	M10 x 25
546063553	M6 x 35	546082553	M8 x 25	546103053	M10 x 30
546064053	M6 x 40	546083053	M8 x 30	546103553	M10 x 35
546064553	M6 x 45	546083553	M8 x 35	546104053	M10 x 40

Screws according to DIN of metal | Countersunk screws ~DIN 965 machining steel

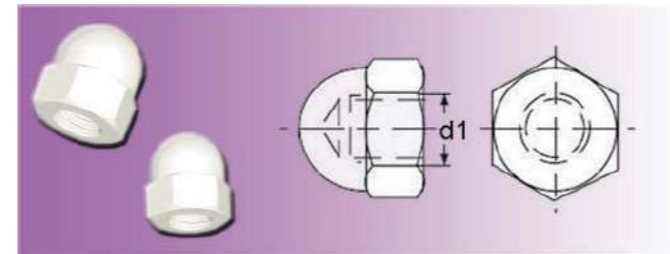


Countersunk screws - metal, cross slot  
~DIN 965 (~DIN EN ISO 7046)

Material: machining steel 4.8 zinc-plated

Part no.	d1 x L	Part no.	d1 x L	Part no.	d1 x L
546030652	M3 x 6	546051052	M5 x 10	546064052	M6 x 40
546030852	M3 x 8	546051252	M5 x 12	546064552	M6 x 45
546031052	M3 x 10	546051652	M5 x 16	546065052	M6 x 50
546031252	M3 x 12	546052052	M5 x 20	546066052	M6 x 60
546031652	M3 x 16	546052552	M5 x 25	546081252	M8 x 12
546032052	M3 x 20	546053052	M5 x 30	546081652	M8 x 16
546032552	M3 x 25	546053552	M5 x 35	546082052	M8 x 20
546033052	M3 x 30	546054052	M5 x 40	546082552	M8 x 25
546040652	M4 x 6	546054552	M5 x 45	546083052	M8 x 30
546040852	M4 x 8	546055052	M5 x 50	546083552	M8 x 35
546041052	M4 x 10	546060852	M6 x 8	546084052	M8 x 40
546041252	M4 x 12	546061052	M6 x 10	546085052	M8 x 50
546041652	M4 x 16	546061252	M6 x 12	546086052	M8 x 60
546042052	M4 x 20	546061652	M6 x 16	546102052	M10 x 20
546042552	M4 x 25	546062052	M6 x 20	546102552	M10 x 25
546043052	M4 x 30	546062552	M6 x 25	546103052	M10 x 30
546043552	M4 x 35	546063052	M6 x 30	546103552	M10 x 35
546044052	M4 x 40	546063552	M6 x 35	546104052	M10 x 40

Nuts according to DIN of plastic | Hexagon cap nuts ~DIN 1587 PA



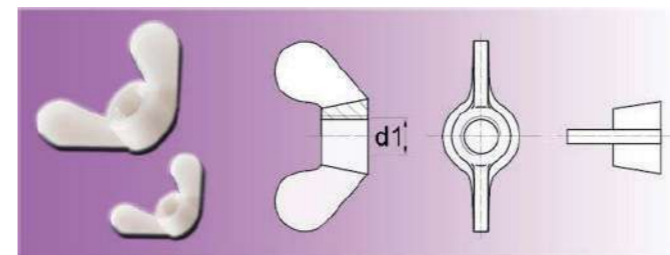
Hexagon cap nuts, tall type ~DIN 1587

Material: PA 6.6  
Colour: natural

Further types on written request.

Part no.	d1	Part no.	d1	Part no.	d1
0520300	M3	0520600	M6	0521200	M12
0520400	M4	0520800	M8		
0520500	M5	0521000	M10		

Nuts according to DIN of plastic | Wing nuts ~DIN 315 PA



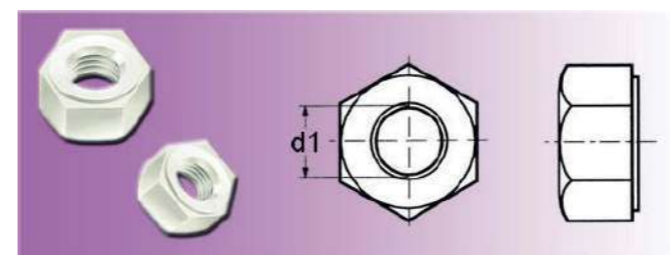
Wing nuts with round wings ~DIN 315

Material: PA 6.6  
Colour: natural

Further types on written request.

Part no.	d1	Part no.	d1	Part no.	d1
0530401	M4	0530601	M6	0531001	M10
0530501	M5	0530801	M8		

Nuts according to DIN of plastic | Hexagon nuts ~DIN 934 PA

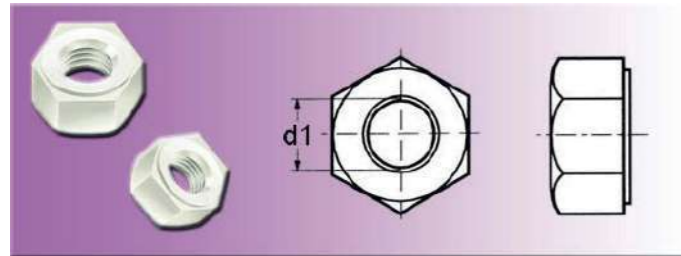


Hexagon nuts ~DIN 934 (~DIN 34814)

Material: PA 6.6  
Colour: natural (black on request)

Part no.	d1	Part no.	d1	Part no.	d1
0510300	M3	0510600	M6	0511200	M12
0510400	M4	0510800	M8	0511400	M14
0510500	M5	0511000	M10	0511600	M16

Nuts according to DIN of plastic | Hexagon nuts ~DIN 934 PP

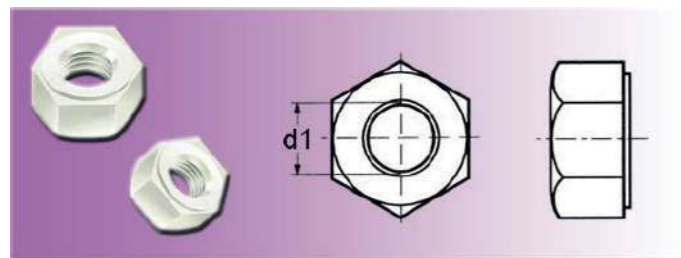


Hexagon nuts ~DIN 934 (~DIN 34814)

Material: PP  
Colour: natural

Part no.	d1	Part no.	d1	Part no.	d1
0510400PP	M4	0510800PP	M8	0511600PP	M16
0510500PP	M5	0511000PP	M10		
0510600PP	M6	0511200PP	M12		

Nuts according to DIN of plastic | Hexagon nuts ~DIN 934 PVDF

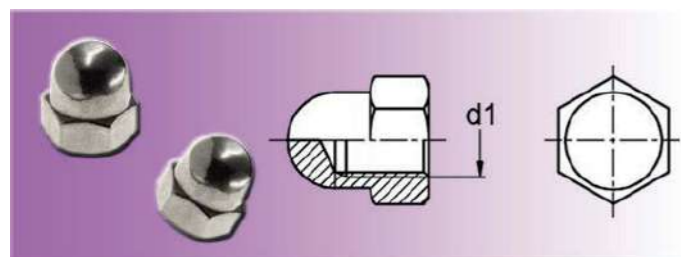


Hexagon nuts ~DIN 934 (~DIN 34814)

Material: PVDF  
Colour: natural

Part no.	d1	Part no.	d1	Part no.	d1
0510300PVDF	no longer available!	0510600PVDF	M6	0511200PVDF	M12
0510400PVDF	M4	0510800PVDF	M8	0511600PVDF	M16
0510500PVDF	M5	0511000PVDF	M10		

Nuts according to DIN of metal | Hexagon cap nuts ~DIN 1587 stainless steel

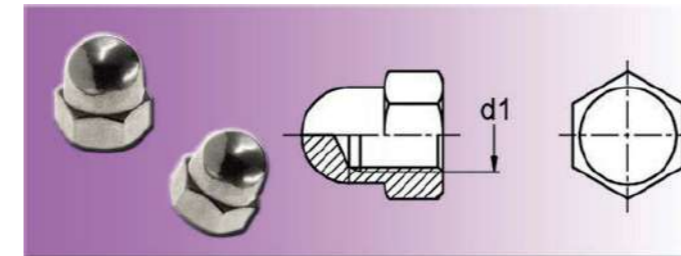


Hexagon cap nuts - metal  
~DIN 1587

Material: stainless steel A2

Part no.	d1	Part no.	d1	Part no.	d1
452030153	M3	452050053	M5	452080053	M8
452040053	M4	452060053	M6		

Nuts according to DIN of metal | Hexagon cap nuts ~DIN 1587 machining steel

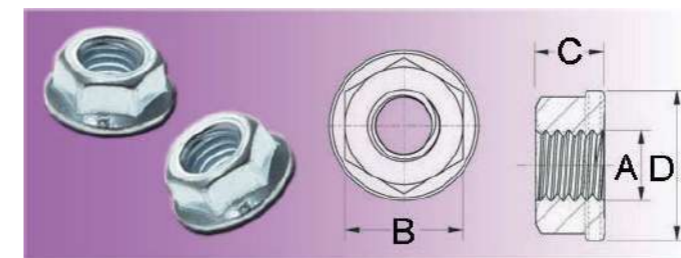


Hexagon cap nuts - metal  
~DIN 1587

Material: machining steel 4.8 zinc-plated

Part no.	d1	Part no.	d1	Part no.	d1
452030152	M3	452050052	M5	452080052	M8
452040052	M4	452060052	M6		

Nuts according to DIN of metal | Hexagon nuts ~DIN 6923 machining steel



Hexagon nuts with flange - metal  
~DIN 6923 without lock toothing (~DIN EN 1661)

Material: machining steel 4.8 zinc-plated

Part no.	A	B	C	D	Part no.	A	B	C	D
449030052	M3	5,5	4,0	8,0	449060052	M6	10,0	6,0	14,2
449040052	M4	7,0	4,6	10,0	449080052	M8	13,0	8,0	17,9
449050052	M5	8,0	5,0	11,8					

Nuts according to DIN of metal | Hexagon nuts ~DIN 934 stainless steel

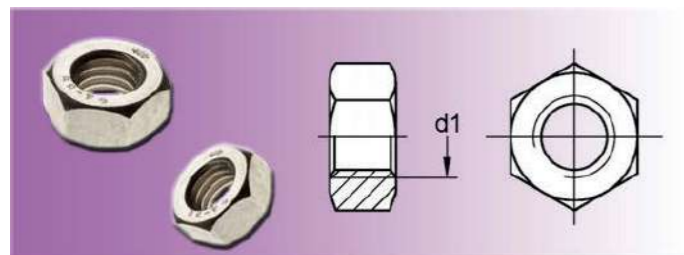


Hexagon nuts - metal  
~DIN 934 (~DIN EN ISO 4032)

Material: stainless steel A2

Part no.	d1	Part no.	d1	Part no.	d1
451020053	M2	451040053	M4	451080053	M8
451025053	M2,5	451050053	M5		
451030053	M3	451060053	M6		

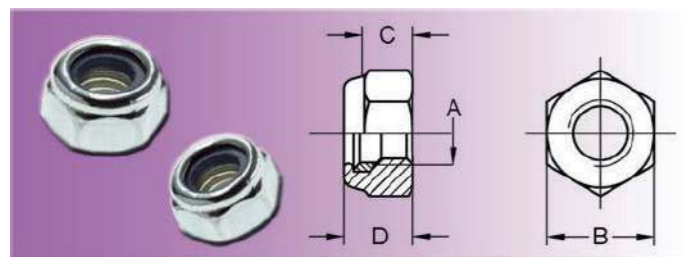
Nuts according to DIN of metal | Hexagon nuts ~DIN 934 machining steel



Hexagon nuts - metal  
~DIN 934 (~DIN EN ISO 4032)  
Material: machining steel 4.8 zinc-plated

Part no.	d1	Part no.	d1	Part no.	d1
451020052	M2	451040052	M4	451080052	M8
451025052	M2,5	451050052	M5		
451030052	M3	451060052	M6		

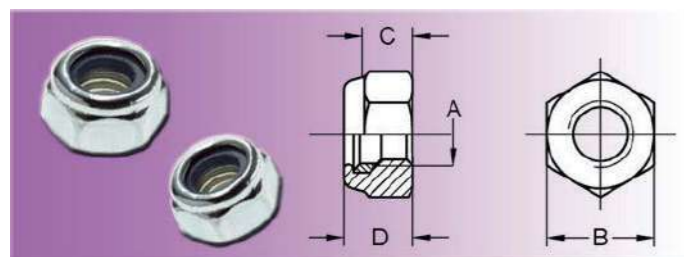
Nuts according to DIN of metal | Hexagon nuts ~DIN 985 stainless steel



Hexagon nuts, self-locking  
~DIN 985 low type (with non-metallic insert) (~DIN EN ISO 10511)  
Material: stainless steel A2

Part no.	A	B	C	D	Part no.	A	B	C	D
448060053	M6	10,0	4,5	6,0	448120053	M12	19,0	8,0	12,0
448080053	M8	13,0	6,0	8,0	448140053	M14	22,0	10,0	14,0

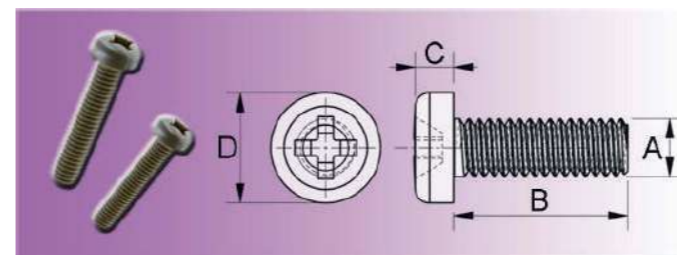
Nuts according to DIN of metal | Hexagon nuts ~DIN 985 machining steel



Hexagon nuts, self-locking  
~DIN 985 low type (with non-metallic insert) (~DIN EN ISO 10511)  
Material: machining steel 4.8 zinc-plated

Part no.	A	B	C	D	Part no.	A	B	C	D
448060052	M6	10,0	4,5	6,0	448120052	M12	19,0	8,0	12,0
448080052	M8	13,0	6,0	8,0	448140052	M14	22,0	10,0	14,0

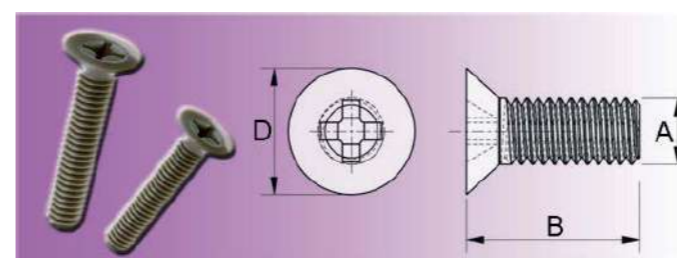
Screws without DIN of plastic | Pan head screws PEEK



Material: PEEK  
Colour: light brown  
- Temperature: max. 180°C  
- High-strength and excellent form stability  
- High modulus of elasticity and excellent creep resistance  
- Resistant to many chemicals  
- Flammability rating: UL94 V0  
- Further PEEK products: series 280 to series 285

Part no.	A	B	C	D	Part no.	A	B	C	D
2800306	M3	6,0	2,0	5,5	2800425	M4	25,0	2,6	7,0
2800308	M3	8,0	2,0	5,5	2800508	M5	8,0	3,3	9,0
2800310	M3	10,0	2,0	5,5	2800510	M5	10,0	3,3	9,0
2800312	M3	12,0	2,0	5,5	2800512	M5	12,0	3,3	9,0
2800316	M3	16,0	2,0	5,5	2800516	M5	16,0	3,3	9,0
2800320	M3	20,0	2,0	5,5	2800520	M5	20,0	3,3	9,0
2800325	M3	25,0	2,0	5,5	2800525	M5	25,0	3,3	9,0
2800406	M4	6,0	2,6	7,0	2800610	M6	10,0	3,9	10,5
2800408	M4	8,0	2,6	7,0	2800612	M6	12,0	3,9	10,5
2800410	M4	10,0	2,6	7,0	2800616	M6	16,0	3,9	10,5
2800412	M4	12,0	2,6	7,0	2800620	M6	20,0	3,9	10,5
2800416	M4	16,0	2,6	7,0	2800625	M6	25,0	3,9	10,5
2800420	M4	20,0	2,6	7,0	2800630	M6	30,0	3,9	10,5

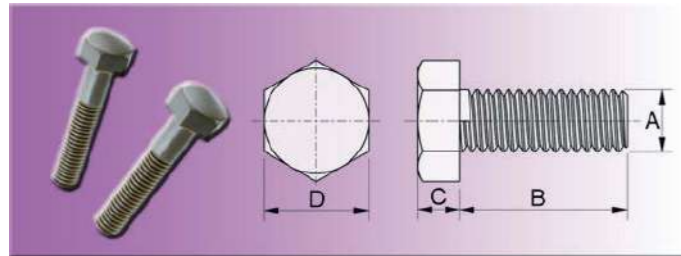
Screws without DIN of plastic | Countersunk screws PEEK



Material: PEEK  
Colour: light brown  
- Temperature: max. 180°C  
- High-strength and excellent form stability  
- High modulus of elasticity and excellent creep resistance  
- Resistant to many chemicals  
- Flammability rating: UL94 V0  
- Further PEEK products: series 280 to series 285

Part no.	A	B	D	Part no.	A	B	D	Part no.	A	B	D
2810306	M3	6,0	6,0	2810408	M4	8,0	8,0	2810512	M5	12,0	10,0
2810308	M3	8,0	6,0	2810410	M4	10,0	8,0	2810515	M5	15,0	10,0
2810310	M3	10,0	6,0	2810412	M4	12,0	8,0	2810520	M5	20,0	10,0
2810312	M3	12,0	6,0	2810416	M4	16,0	8,0	2810525	M5	25,0	10,0
2810316	M3	16,0	6,0	2810420	M4	20,0	8,0	2810610	M6	10,0	12,0
2810320	M3	20,0	6,0	2810425	M4	25,0	8,0	2810615	M6	15,0	12,0
2810325	M3	25,0	6,0	2810508	M5	8,0	10,0	2810620	M6	20,0	12,0
2810406	M4	6,0	8,0	2810510	M5	10,0	10,0	2810630	M6	30,0	12,0

Screws without DIN of plastic | Hexagon head screws PEEK



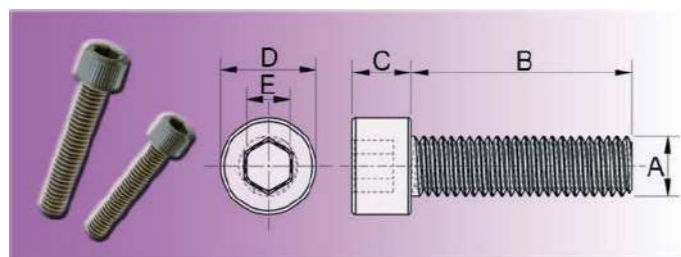
Material: PEEK  
Colour: light brown

- Temperature: max. 180°C
- High-strength and excellent form stability
- High modulus of elasticity and excellent creep resistance
- Resistant to many chemicals
- Flammability rating: UL94 V0
- Further PEEK products: series 280 to series 285

Part no.	A	B	C	D
2820510	M5	10,0	3,5	8,0
2820512	M5	12,0	3,5	8,0
2820515	M5	15,0	3,5	8,0
2820520	M5	20,0	3,5	8,0
2820525	M5	25,0	3,5	8,0
2820530	M5	30,0	3,5	8,0
2820610	M6	10,0	4,0	10,0
2820612	M6	12,0	4,0	10,0
2820615	M6	15,0	4,0	10,0
2820620	M6	20,0	4,0	10,0
2820625	M6	25,0	4,0	10,0
2820630	M6	30,0	4,0	10,0
2820635	M6	35,0	4,0	10,0
2820640	M6	40,0	4,0	10,0
2820645	M6	45,0	4,0	10,0
2820650	M6	50,0	4,0	10,0
2820810	M8	10,0	5,5	13,0

Part no.	A	B	C	D
2820812	M8	12,0	5,5	13,0
2820815	M8	15,0	5,5	13,0
2820820	M8	20,0	5,5	13,0
2820825	M8	25,0	5,5	13,0
2820830	M8	30,0	5,5	13,0
2820835	M8	35,0	5,5	13,0
2820840	M8	40,0	5,5	13,0
2820845	M8	45,0	5,5	13,0
2820850	M8	50,0	5,5	13,0
2821015	M10	15,0	7,0	17,0
2821020	M10	20,0	7,0	17,0
2821025	M10	25,0	7,0	17,0
2821030	M10	30,0	7,0	17,0
2821035	M10	35,0	7,0	17,0
2821040	M10	40,0	7,0	17,0
2821045	M10	45,0	7,0	17,0
2821050	M10	50,0	7,0	17,0

Screws without DIN of plastic | Socket head screws PEEK



Material: PEEK  
Colour: light brown

- Temperature: max. 180°C
- High-strength and excellent form stability
- High modulus of elasticity and excellent creep resistance
- Resistant to many chemicals
- Flammability rating: UL94 V0
- Further PEEK products: series 280 to series 285

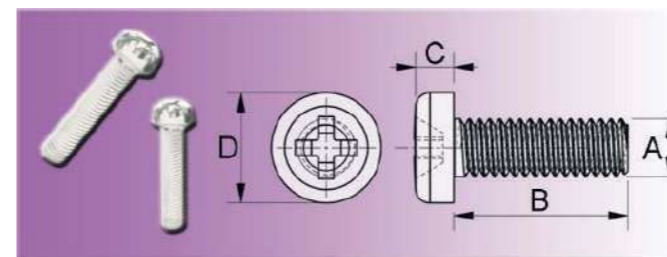
Part no.	A	B	C	D	E
2830308	M3	8,0	3,0	5,5	2,5
2830310	M3	10,0	3,0	5,5	2,5
2830312	M3	12,0	3,0	5,5	2,5
2830315	M3	15,0	3,0	5,5	2,5
2830320	M3	20,0	3,0	5,5	2,5

Part no.	A	B	C	D	E
2830325	M3	25,0	3,0	5,5	2,5
2830408	M4	8,0	4,0	7,0	3,0
2830410	M4	10,0	4,0	7,0	3,0
2830412	M4	12,0	4,0	7,0	3,0
2830415	M4	15,0	4,0	7,0	3,0

Part no.	A	B	C	D	E
2830420	M4	20,0	4,0	7,0	3,0
2830425	M4	25,0	4,0	7,0	3,0
2830430	M4	30,0	4,0	7,0	3,0
2830508	M5	8,0	5,0	8,5	4,0
2830510	M5	10,0	5,0	8,5	4,0
2830512	M5	12,0	5,0	8,5	4,0
2830515	M5	15,0	5,0	8,5	4,0
2830520	M5	20,0	5,0	8,5	4,0
2830525	M5	25,0	5,0	8,5	4,0
2830530	M5	30,0	5,0	8,5	4,0
2830610	M6	10,0	6,0	10,0	5,0
2830612	M6	12,0	6,0	10,0	5,0

Part no.	A	B	C	D	E
2830615	M6	15,0	6,0	10,0	5,0
2830620	M6	20,0	6,0	10,0	5,0
2830625	M6	25,0	6,0	10,0	5,0
2830630	M6	30,0	6,0	10,0	5,0
2830635	M6	35,0	6,0	10,0	5,0
2830810	M8	10,0	8,0	13,0	6,0
2830812	M8	12,0	8,0	13,0	6,0
2830815	M8	15,0	8,0	13,0	6,0
2830820	M8	20,0	8,0	13,0	6,0
2830825	M8	25,0	8,0	13,0	6,0
2830830	M8	30,0	8,0	13,0	6,0
2830835	M8	35,0	8,0	13,0	6,0

Screws without DIN of plastic | Cylinder head screws PC



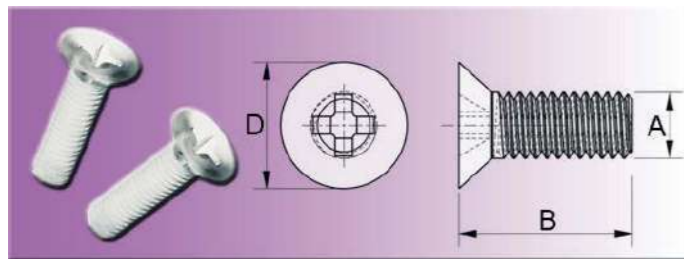
Material: PC  
Colour: transparent

Part no.	A	B	C	D
2690206	M2	6,0	1,3	3,5
2690208	M2	8,0	1,3	3,5
2690210	M2	10,0	1,3	3,5
2690212	M2	12,0	1,3	3,5
2690304	M3	4,0	2,0	5,5
2690305	M3	5,0	2,0	5,5
2690306	M3	6,0	2,0	5,5
2690308	M3	8,0	2,0	5,5
2690310	M3	10,0	2,0	5,5
2690312	M3	12,0	2,0	5,5
2690315	M3	15,0	2,0	5,5
2690316	M3	16,0	2,0	5,5
2690318	M3	18,0	2,0	5,5
2690320	M3	20,0	2,0	5,5
2690325	M3	25,0	2,0	5,5
2690330	M3	30,0	2,0	5,5
2690405	M4	5,0	2,6	7,0
2690406	M4	6,0	2,6	7,0

Part no.	A	B	C	D
2690408	M4	8,0	2,6	7,0
2690410	M4	10,0	2,6	7,0
2690412	M4	12,0	2,6	7,0
2690415	M4	15,0	2,6	7,0
2690416	M4	16,0	2,6	7,0
2690418	M4	18,0	2,6	7,0
2690420	M4	20,0	2,6	7,0
2690425	M4	25,0	2,6	7,0
2690430	M4	30,0	2,6	7,0
2690506	M5	6,0	3,3	9,0
2690508	M5	8,0	3,3	9,0
2690510	M5	10,0	3,3	9,0
2690512	M5	12,0	3,3	9,0
2690515	M5	15,0	3,3	9,0
2690516	M5	16,0	3,3	9,0
2690518	M5	18,0	3,3	9,0
2690520	M5	20,0	3,3	9,0
2690525	M5	25,0	3,3	9,0

Part no.	A	B	C	D	Part no.	A	B	C	D
2690530	M5	30,0	3,3	9,0	2690635	M6	35,0	3,9	10,5
2690535	M5	35,0	3,3	9,0	2690640	M6	40,0	3,9	10,5
2690610	M6	10,0	3,9	10,5	2690812	M8	12,0	5,2	14,0
2690612	M6	12,0	3,9	10,5	2690815	M8	15,0	5,2	14,0
2690615	M6	15,0	3,9	10,5	2690820	M8	20,0	5,2	14,0
2690620	M6	20,0	3,9	10,5	2690825	M8	25,0	5,2	14,0
2690625	M6	25,0	3,9	10,5	2690830	M8	30,0	5,2	14,0
2690630	M6	30,0	3,9	10,5	2690840	M8	40,0	5,2	14,0

Screws without DIN of plastic | Countersunk screws PC

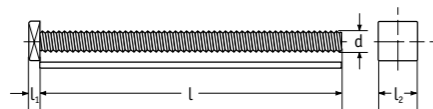


Material: PC  
Colour: transparent

Part no.	A	B	D	Part no.	A	B	D	Part no.	A	B	D
2700203	M2	4,0	4,0	2700415	M4	15,0	8,0	2700612	M6	12,0	12,0
2700305	M3	6,0	6,0	2700416	M4	16,0	8,0	2700615	M6	15,0	12,0
2700307	M3	8,0	6,0	2700418	M4	18,0	8,0	2700620	M6	20,0	12,0
2700309	M3	10,0	6,0	2700420	M4	20,0	8,0	2700625	M6	25,0	12,0
2700315	M3	15,0	6,0	2700425	M4	25,0	8,0	2700630	M6	30,0	12,0
2700318	M3	18,0	6,0	2700508	M5	8,0	10,0	2700635	M6	35,0	12,0
2700320	M3	20,0	6,0	2700510	M5	10,0	10,0	2700810	M8	10,0	16,0
2700325	M3	25,0	6,0	2700512	M5	12,0	10,0	2700815	M8	15,0	16,0
2700406	M4	6,0	8,0	2700515	M5	15,0	10,0	2700820	M8	20,0	16,0
2700408	M4	8,0	8,0	2700520	M5	20,0	10,0	2700825	M8	25,0	16,0
2700410	M4	10,0	8,0	2700525	M5	25,0	10,0	2700830	M8	30,0	16,0
2700412	M4	12,0	8,0	2700610	M6	10,0	12,0				

Screws without DIN of plastic | Square Head Screws

SR 1980  
Natural Nylon 6.6



Part Number	Dimensions (mm)				Standard Pack Quantity
	d	l	l <sub>1</sub>	l <sub>2</sub>	
0900530000VR	M6 x 1.0	40.0	3.0	10 x 10	1000
0900540000VR	M6 x 1.0	50.0	3.0	10 x 10	500
0900550000VR	M6 x 1.0	60.0	3.0	10 x 10	500
0900570000VR	M6 x 1.0	80.0	3.0	10 x 10	125
0900610000VR	M8 x 1.25	50.0	3.0	10 x 10	500



Screws according to DIN of metal | Countersunk screws ~DIN 963 machining steel

Micro Pan Head Screws

K-0054

Natural Reny

- Continuous use temperature 105°C
- Flammability UL94 HB
- 50% Glass filled PA
- High strength and elasticity coefficient
- Excellent oil resistance



Part Number	Dimensions (mm)				Standard Pack Quantity
	A	B	C	D	
1439958	M1.2	1.5	0.5	1.8	100
1439962	M1.2	1.8	0.5	1.8	100
1439963	M1.2	2.0	0.5	1.8	100
1439964	M1.2	2.5	0.5	1.8	100
1439965	M1.2	3.0	0.5	1.8	100
1439966	M1.2	3.5	0.5	1.8	100
1439967	M1.2	4.0	0.5	1.8	100
1439968	M1.4	2.0	0.5	2.0	100
1439969	M1.4	2.5	0.5	2.0	100
1439970	M1.4	3.0	0.5	2.0	100
1439971	M1.4	3.5	0.5	2.0	100
1439972	M1.4	4.0	0.5	2.0	100
1439973	M1.4	6.0	0.5	2.0	100
1439974	M1.6	2.0	0.5	2.3	100
1439975	M1.6	2.5	0.5	2.3	100
1439976	M1.6	3.0	0.5	2.3	100
1439977	M1.6	3.5	0.5	2.3	100
1439978	M1.6	4.0	0.5	2.3	100
1439979	M1.6	6.0	0.5	2.3	100

Micro Pan Head Screws

K-0055

Light Brown PEEK

- Continuous use temperature 108°C
- Flammability UL94 V-0
- Resistant to most chemicals



Part Number	Dimensions (mm)				Standard Pack Quantity
	A	B	C	D	
1439986	M1.2	1.5	0.5	1.8	100
1439987	M1.2	1.8	0.5	1.8	100
1439988	M1.2	2.0	0.5	1.8	100
1439989	M1.2	2.5	0.5	1.8	100
1439990	M1.2	3.0	0.5	1.8	100
1439991	M1.2	3.5	0.5	1.8	100
1439992	M1.2	4.0	0.5	1.8	100
1439993	M1.4	2.0	0.5	2.0	100
1439994	M1.4	2.5	0.5	2.0	100
1439995	M1.4	3.0	0.5	2.0	100
1439996	M1.4	3.5	0.5	2.0	100
1439997	M1.4	4.0	0.5	2.0	100
1439998	M1.4	6.0	0.5	2.0	100
1439999	M1.6	2.0	0.5	2.3	100
1440000	M1.6	2.5	0.5	2.3	100
1440001	M1.6	3.0	0.5	2.3	100
1440002	M1.6	3.5	0.5	2.3	100
1440003	M1.6	4.0	0.5	2.3	100
1440004	M1.6	6.0	0.5	2.3	100

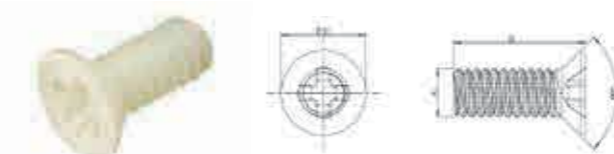
Micro Countersunk Screws

Micro Countersunk Screws

K-0056

Natural Reny

- Continuous use temperature 105°C
- Flammability UL94 HB
- 50% Glass filled PA
- High strength and elasticity
- Excellent oil resistance



Part Number	Dimensions (mm)			Standard Pack Quantity
	A	B	D	
1439980	M1.2	2.5	2.3	100
1439981	M1.2	4.0	2.3	100
1439982	M1.4	2.5	2.5	100
1439983	M1.4	4.0	2.5	100
1439984	M1.6	2.5	2.8	100
1439985	M1.6	4.0	2.8	100

Micro Countersunk Screws

K-0057

Light Brown PEEK

- Continuous use temperature 108°C
- Flammability UL94 V-0
- Resistant to most chemicals



Part Number	Dimensions (mm)			Standard Pack Quantity
	A	B	D	
1440005	M1.2	2.5	2.3	100
1440006	M1.2	4.0	2.3	100
1440007	M1.4	2.5	2.5	100
1440008	M1.4	4.0	2.5	100
1440009	M1.6	2.5	2.8	100
1440010	M1.6	4.0	2.8	100



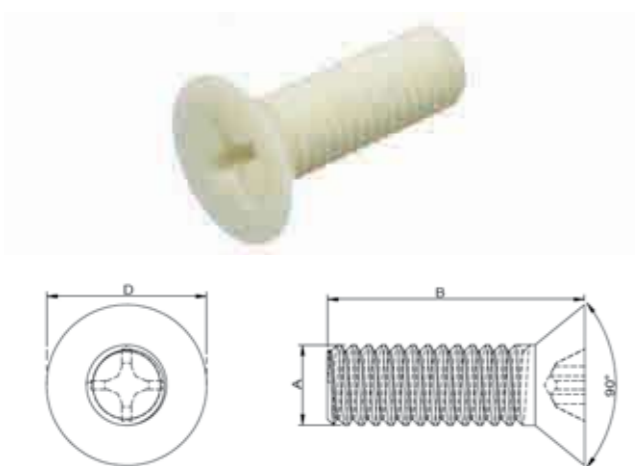
Countersunk Screws

Countersunk Screws

K-0058

Natural and Black Reny

- Continuous use temperature 105°C
- Flammability UL94 HB
- High strength and elasticity coefficient
- Excellent oil resistance
- Available in natural and black



Part Number		Dimensions (mm)			Standard Pack Quantity
Natural	Black	A	B	D	
1440011	1440044	M2	6.0	4.0	100
1440012	1440045	M2	8.0	4.0	100
1440013	1440046	M2	10.0	4.0	100
1440014	1440047	M2.6	4.0	5.2	100
1440015	1440048	M2.6	6.0	5.2	100
1440016	1440049	M2.6	8.0	5.2	100
1440017	1440050	M2.6	10.0	5.2	100
1440018	1440051	M3	5.0	6.0	100
1440019	1440052	M3	6.0	6.0	100
1440020	1440053	M3	8.0	6.0	100
1440021	1440054	M3	10.0	6.0	100
1440022	1440055	M3	12.0	6.0	100
1440023	1440056	M3	15.0	6.0	100
1440024	1440057	M3	20.0	6.0	100
1440025	1440058	M3	25.0	6.0	100
1440026	1440059	M4	6.0	8.0	100
1440027	1440060	M4	8.0	8.0	100
1440028	1440061	M4	10.0	8.0	100
1440029	1440062	M4	12.0	8.0	100
1440030	1440063	M4	15.0	8.0	100
1440031	1440064	M4	20.0	8.0	100
1440032	1440065	M4	25.0	8.0	50
1440033	1440066	M5	10.0	10.0	100
1440034	1440067	M5	12.0	10.0	100
1440035	1440068	M5	15.0	10.0	50
1440036	1440069	M5	20.0	10.0	50
1440037	1440070	M5	25.0	10.0	50
1440038	1440071	M6	10.0	12.0	50
1440039	1440072	M6	12.0	12.0	50
1440040	1440073	M6	15.0	12.0	50
1440041	1440074	M6	20.0	12.0	25
1440042	1440075	M6	25.0	12.0	25
1440043	1440076	M6	30.0	12.0	25

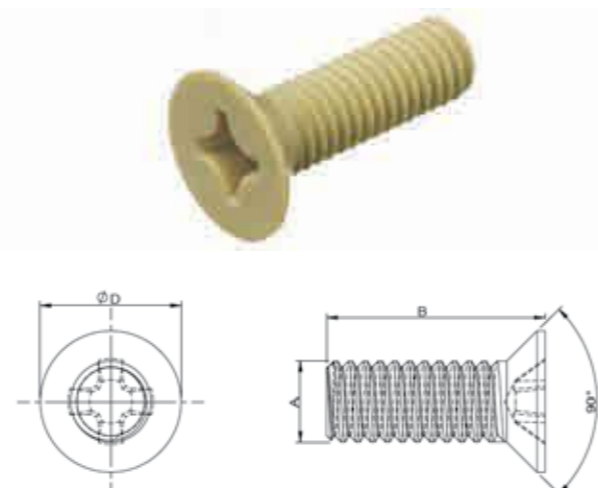
Countersunk Screws

Countersunk Screws

K-0060

Beige PPS

- Continuous use temperature: 200°C
- Flammability: UL94 V0
- Excellent resistance to chemicals



Part Number		Dimensions (mm)			Standard Pack Quantity
		A	B	D	
1440077	M3	6.0	6.0	6.0	25
1440078	M3	8.0	6.0	6.0	25
1440079	M3	10.0	6.0	6.0	25
1440080	M3	12.0	6.0	6.0	25
1440081	M3	15.0	6.0	6.0	25
1440082	M3	20.0	6.0	6.0	25
1440083	M3	25.0	6.0	6.0	25
1440084	M4	8.0	8.0	8.0	25
1440085	M4	10.0	8.0	8.0	25
1440086	M4	12.0	8.0	8.0	25
1440087	M4	15.0	8.0	8.0	25
1440088	M4	20.0	8.0	8.0	25
1440089	M4	25.0	8.0	8.0	25
1440090	M5	10.0	10.0	10.0	25
1440091	M5	12.0	10.0	10.0	25
1440092	M5	15.0	10.0	10.0	25
1440093	M5	20.0	10.0	10.0	25
1440094	M5	25.0	10.0	10.0	25
1440095	M6	10.0	12.0	12.0	25
1440096	M6	12.0	12.0	12.0	25
1440097	M6	15.0	12.0	12.0	25
1440098	M6	20.0	12.0	12.0	25
1440099	M6	25.0	12.0	12.0	25
1440100	M6	30.0	12.0	12.0	25

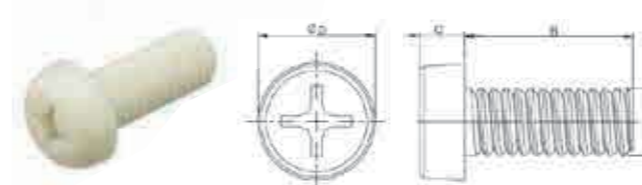
Pan Head Screws

Pan Head Screws

K-0059

Natural Reny

- Continuous use temperature 105°C
- Flammability UL94 HB
- High strength and elasticity coefficient
- Excellent oil resistance



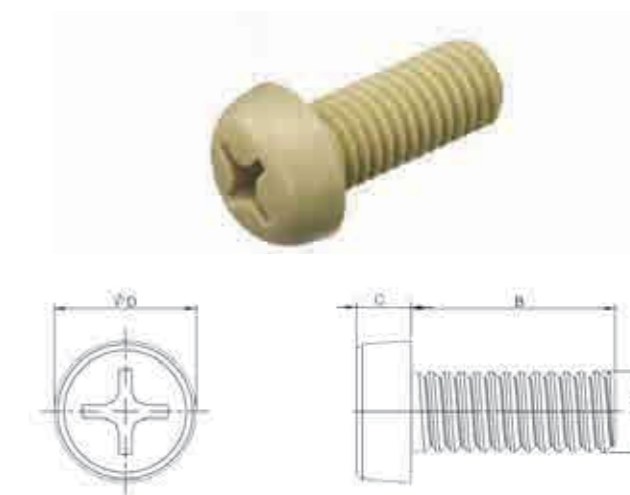
Part Number	Dimensions (mm)				Standard Pack Quantity
	A	B	C	D	
1440139	M2	3.0	1.3	3.5	100
1440140	M2	4.0	1.3	3.5	100
1440141	M2	5.0	1.3	3.5	100
1440142	M2	6.0	1.3	3.5	100
1440143	M2	8.0	1.3	3.5	100
1440144	M2	10.0	1.3	3.5	100
1440145	M2	12.0	1.3	3.5	100
1440146	M2.6	4.0	1.7	4.5	100
1440147	M2.6	5.0	1.7	4.5	100
1440148	M2.6	6.0	1.7	4.5	100
1440149	M2.6	8.0	1.7	4.5	100
1440150	M2.6	10.0	1.7	4.5	100
1440151	M2.6	12.0	1.7	4.5	100
1440152	M3	4.0	2.0	5.5	100
1440153	M3	5.0	2.0	5.5	100
1440154	M3	6.0	2.0	5.5	100
1440155	M3	8.0	2.0	5.5	100
1440156	M3	10.0	2.0	5.5	100
1440157	M3	12.0	2.0	5.5	100
1440158	M3	15.0	2.0	5.5	100
1440159	M3	20.0	2.0	5.5	100
1440160	M3	25.0	2.0	5.5	100
1440161	M3	30.0	2.0	5.5	100
1440162	M4	5.0	2.6	7.0	100
1440163	M4	6.0	2.6	7.0	100
1440164	M4	8.0	2.6	7.0	100
1440165	M4	10.0	2.6	7.0	100
1440166	M4	12.0	2.6	7.0	100
1440167	M4	15.0	2.6	7.0	100
1440168	M4	20.0	2.6	7.0	100
1440169	M4	25.0	2.6	7.0	50
1440170	M4	30.0	2.6	7.0	50
1440171	M5	8.0	3.3	9.0	100
1440172	M5	10.0	3.3	9.0	100
1440173	M5	12.0	3.3	9.0	100
1440174	M5	15.0	3.3	9.0	50
1440175	M5	20.0	3.3	9.0	50
1440176	M5	25.0	3.3	9.0	50
1440177	M5	30.0	3.3	9.0	25
1440178	M5	35.0	3.3	9.0	25
1440179	M6	10.0	3.9	10.5	50
1440180	M6	12.0	3.9	10.5	50
1440181	M6	15.0	3.9	10.5	50
1440182	M6	20.0	3.9	10.5	25
1440183	M6	25.0	3.9	10.5	25
1440184	M6	30.0	3.9	10.5	25
1440185	M6	35.0	3.9	10.5	25

Pan Head Screws

K-0061

Beige PPS

- Continuous use temperature: 200°C
- Flammability: UL94 V0
- Excellent resistance to chemicals



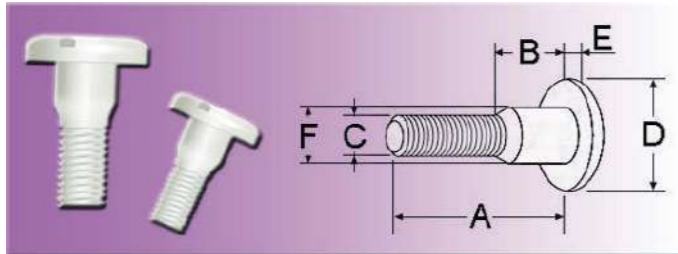
Part Number	Dimensions (mm)				Standard Pack Quantity
	A	B	C	D	
1440101	M2	4.0	1.3	3.5	25
1440102	M2	6.0	1.3	3.5	25
1440103	M2	8.0	1.3	3.5	25
1440104	M2	10.0	1.3	3.5	25
1440105	M2	12.0	1.3	3.5	25
1440106	M2.6	6.0	1.7	4.5	25
1440107	M2.6	8.0	1.7	4.5	25
1440108	M2.6	10.0	1.7	4.5	25
1440109	M2.6	12.0	1.7	4.5	25
1440110	M3	6.0	2.0	5.5	25
1440111	M3	8.0	2.0	5.5	25
1440112	M3	10.0	2.0	5.5	25
1440113	M3	12.0	2.0	5.5	25
1440114	M3	15.0	2.0	5.5	25
1440115	M3	20.0	2.0	5.5	25
1440116	M3	25.0	2.0	5.5	25
1440117	M3	30.0	2.0	5.5	25
1440118	M4	6.0	2.6	7.0	25
1440119	M4	8.0	2.6	7.0	25
1440120	M4	10.0	2.6	7.0	25
1440121	M4	12.0	2.6	7.0	25
1440122	M4	15.0	2.6	7.0	25
1440123	M4	20.0	2.6	7.0	25
1440124	M4	25.0	2.6	7.0	25
1440125	M4	30.0	2.6	7.0	25
1440126	M5	8.0	3.3	9.0	25
1440127	M5	10.0	3.3	9.0	25
1440128	M5	12.0	3.3	9.0	25
1440129	M5	15.0	3.3	9.0	25
1440130	M5	20.0	3.3	9.0	25
1440131	M5	25.0	3.3	9.0	25
1440132	M5	30.0	3.3	9.0	25
1440133	M6	10.0	3.9	10.5	25
1440134	M6	12.0	3.9	10.5	25
1440135	M6	15.0	3.9	10.5	25
1440136	M6	20.0	3.9	10.5	25
1440137	M6	25.0	3.9	10.5	25
1440138	M6	30.0	3.9	10.5	25







Screws without DIN of plastic | Binding screws



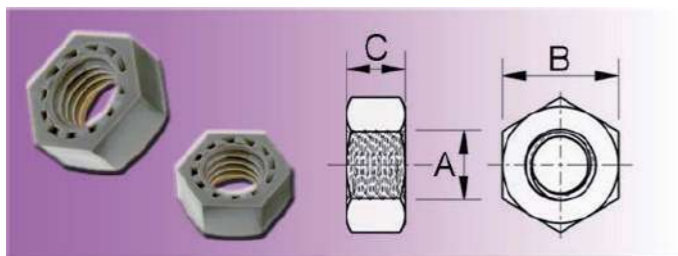
Suitable for the connection of pattern books, colour fans etc.  
To be used with appropriate female part of series 081, page 298.

Material: PA 6  
Colours:  
Last digits 500 = white  
Last digits 599 = black

Part no.	A	B	C	D	E	F
0820410500	10,0	-	M4	12,0	2,5	6,0
0820410599	10,0	-	M4	12,0	2,5	6,0
0820510500	10,0	-	M5	14,0	2,5	7,0
0820510599	10,0	-	M5	14,0	2,5	7,0
0820515500	15,0	5,0	M5	14,0	2,5	7,0
0820515599	15,0	5,0	M5	14,0	2,5	7,0
0820520500	20,0	10,0	M5	14,0	2,5	7,0
0820520599	20,0	10,0	M5	14,0	2,5	7,0
0820526500	25,0	15,0	M5	14,0	2,5	7,0
0820526599	25,0	15,0	M5	14,0	2,5	7,0
0820530500	30,0	20,0	M5	14,0	2,5	7,0
0820530599	30,0	20,0	M5	14,0	2,5	7,0
0820540500	40,0	30,0	M5	14,0	2,5	7,0
0820540599	40,0	30,0	M5	14,0	2,5	7,0

Part no.	A	B	C	D	E	F
0820610500	10,0	-	M6	16,0	3,0	8,0
0820610599	10,0	-	M6	16,0	3,0	8,0
0820618500	18,0	8,0	M6	16,0	3,0	8,0
0820618599	18,0	8,0	M6	16,0	3,0	8,0
0820625500	25,0	8,0	M6	16,0	3,0	8,0
0820625599	25,0	8,0	M6	16,0	3,0	8,0
0820630500	30,0	8,0	M6	16,0	3,0	8,0
0820630599	30,0	8,0	M6	16,0	3,0	8,0
0820636500	36,0	8,0	M6	16,0	3,0	8,0
0820636599	36,0	8,0	M6	16,0	3,0	8,0
0820639500	39,0	8,0	M6	16,0	3,0	8,0
0820639599	39,0	8,0	M6	16,0	3,0	8,0
0820648500	48,0	8,0	M6	16,0	3,0	8,0
0820648599	48,0	8,0	M6	16,0	3,0	8,0

Nuts without DIN of plastic | Hexagon nuts PEEK

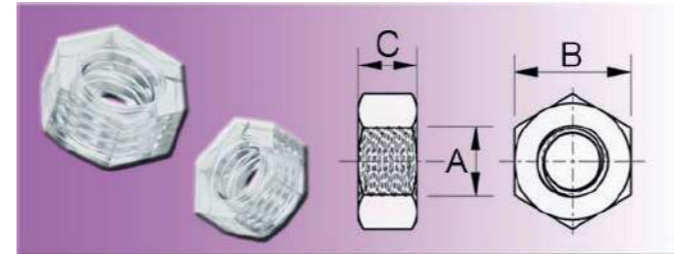


Material: PEEK  
Colour: light brown

- Temperature: max. 180°C
- High-strength and excellent form stability
- High modulus of elasticity and excellent creep resistance
- Resistant to many chemicals
- Flammability rating: UL94 V0
- Further PEEK products: series 280 to series 285

Part no.	A	B	C	Part no.	A	B	C	Part no.	A	B	C
2840300	M3	5,5	2,4	2840500	M5	8,0	4,0	2840800	M8	13,0	6,5
2840400	M4	7,0	3,2	2840600	M6	10,0	5,0	2841000	M10	17,0	8,0

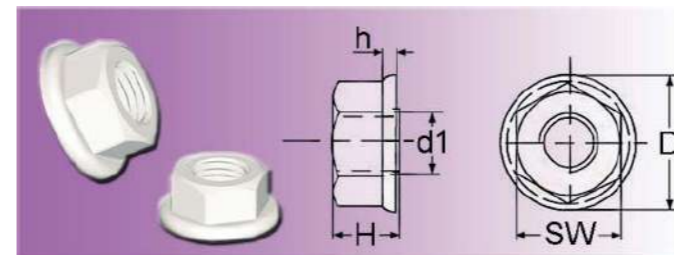
Nuts without DIN of plastic | Hexagon nuts PC



Material: PC  
Colour: transparent

Part no.	A	B	C	Part no.	A	B	C	Part no.	A	B	C
2710002	M2	4,0	1,6	2710004	M4	7,0	3,2	2710006	M6	10,0	5,0
2710003	M3	5,5	2,4	2710005	M5	8,0	4,0	2710008	M8	13,0	6,5

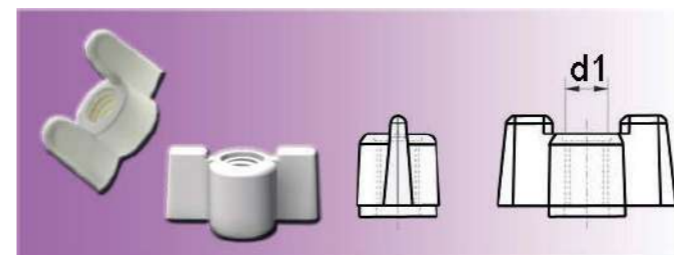
Nuts without DIN of plastic | Hexagon nuts with flange



Material: PA  
Colour: natural

Part no.	d1	D	SW	H	h	Part no.	d1	D	SW	H	h
0880400	M4	9,5	7,0	4,2	1,1	0881200	M12	27,1	18,0	12,7	3,0
0880500	M5	11,0	8,0	5,2	1,0	0881600	M16	35,0	24,0	16,6	3,0
0880600	M6	13,0	10,0	6,0	1,2	0882000	M20	44,0	30,0	20,0	3,5
0880800	M8	16,8	13,0	7,35	1,4	0882400	M24	53,0	36,0	23,8	4,0
0881000	M10	21,7	16,0	9,5	1,8						

Nuts without DIN of plastic | Wing nuts type 26

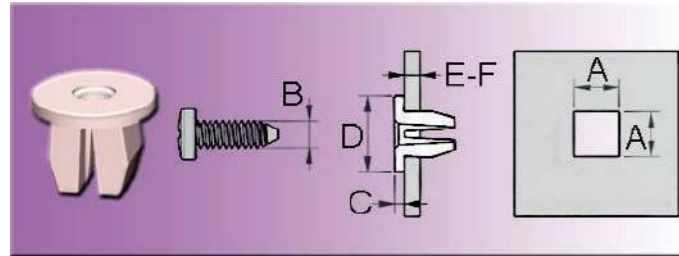


Material: PA 6.6  
Colour: natural

Further types on written request.

Part no.	d1	Part no.	d1
0530400	M4	0530600	M6
0530500	M5	0530800	M8

Nuts without DIN of plastic | Grommet nuts



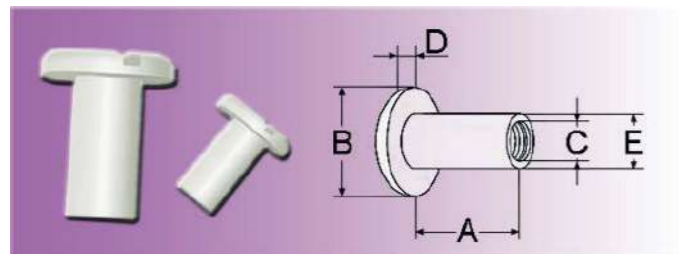
For a long-lasting and secure thread connection between thin steel plates. Easy and quick mounting. Isolates vibrations and avoids anodic corrosion. Prevents threads from stripping. Suitable in connection with pan head screw with cross slot DIN 7981 / ISO 7049. Dimension B indicates the size of the appropriate pan head screw (DIN 7981).

Material: PA 6.6  
Colour: natural

Part no.	A	B	C	D	E	F
2625013000	5,0	2,9	1,3	8,0	0,8	2,5
2626014000	6,0	3,5	1,4	10,0	0,8	3,0

Part no.	A	B	C	D	E	F
2627015000	7,0	4,2	1,5	12,0	0,8	4,0
2628016000	8,0	4,8	1,6	14,0	0,8	5,0

Nuts without DIN of plastic | Book screw nuts



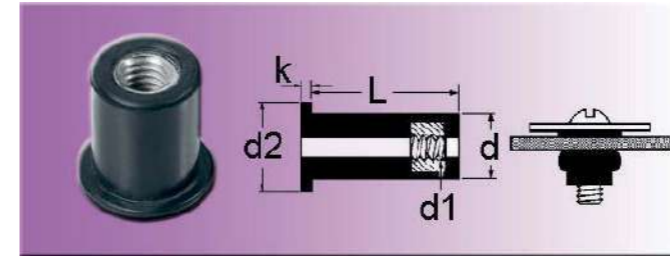
Suitable for screwing of sample books, colour fans etc. To be used with adequate male part of series 082, page 296.

Material: PA 6  
Colours:  
Last digits 500 = white  
Last digits 599 = black

Part no.	A	B	C	D	E
0810410500	10,0	12,0	M4	2,2	6,0
0810410599	10,0	12,0	M4	2,2	6,0
0810415500	15,0	12,0	M4	2,2	6,0
0810415599	15,0	12,0	M4	2,2	6,0
0810420500	20,0	12,0	M4	2,2	6,0
0810420599	20,0	12,0	M4	2,2	6,0
0810425500	25,0	12,0	M4	2,2	6,0
0810425599	25,0	12,0	M4	2,2	6,0

Part no.	A	B	C	D	E
0810430500	30,0	12,0	M4	2,2	6,0
0810430599	30,0	12,0	M4	2,2	6,0
0810510500	10,0	14,0	M5	2,5	7,0
0810510599	10,0	14,0	M5	2,5	7,0
0810610500	10,0	16,0	M6	3,0	8,0
0810610599	no longer available!				
0810616500	no longer available!				
0810616599	16,0	16,0	M6	3,0	8,0

Nuts without DIN of plastic | ISO box nuts



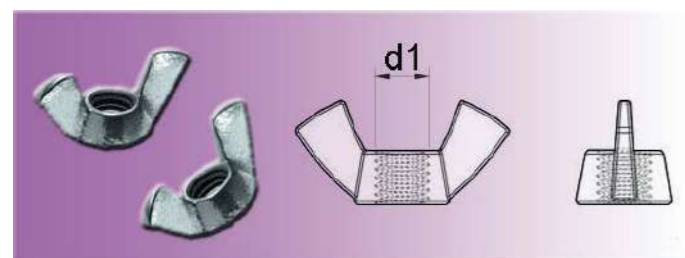
Quick and easy assembly. Neoprene rivet body, electrically non-conductive. Temperature-resistant from -40°C to +90°C. Oil and corrosion resistant.

Material: EPDM (\* = neoprene)  
Colour: black

S = material thickness

Example of use:  
Drill or blank mounting hole. Stick in ISO box nut with moderate force. Turn the screw with the part you want to attach into the ISO box nut with moderate force. By turning the screw the rivet body bellies out and forms a safe and tight closing head. In the case of a blind bore the elastic rivet body fixes itself by frictional connection.

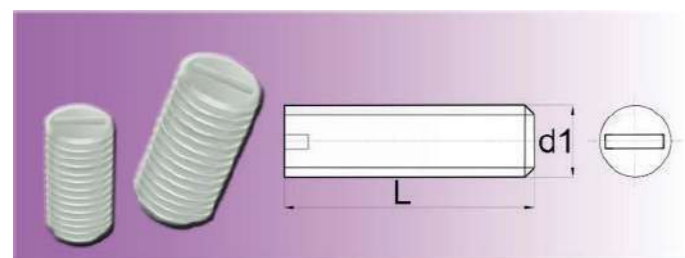
Part no.	d1	d2	d	k	L	Nm	S
2553004	M3	11,0	7,9	1,2	11,4	0,25-0,50	0,4-4,0
2554039	M4	11,0	7,9	1,2	11,4	0,25-0,40	0,4-4,0
2555049	M5	12,7	9,6	0,9	13,2	0,34-0,50	0,4-4,9
2555057	M5	19,0	9,6	2,0	16,0	0,29-0,69	0,8-5,8
2555059	M5	14,0	9,6	1,0	16,0	0,29-0,69	0,85-5,9
2555114*	M5	14,0	9,5	0,9	20,6	0,34	4,0-10,0
2555163	M5	14,0	9,6	1,3	25,2	0,30-0,70	7,9-15,0
2555164*	M5	14,3	9,5	1,3	25,4	0,34	7,9-16,3
2555290	M5	14,0	9,6	1,3	37,7	0,60-1,00	20,5-30,0
2556028	M6	16,0	12,7	1,3	14,7	0,60-1,00	0,4-4,0
2556047	M6	19,1	12,7	4,8	16,3	0,80-1,00	0,8-4,7
2556116	M6	16,3	12,7	2,0	24,7	0,80-1,00	6,4-11,5
2558047	M8	21,5	15,9	3,2	15,1	1,00-1,50	0,4-4,0
2558095	M8	21,5	15,9	5,7	22,2	1,00-1,60	3,9-9,5
2558390	M8	20,0	18,0	1,6	48,4	3,00-4,00	15,0-35,0
2551040	M10	22,5	20,0	1,3	53,7	4,50-5,50	19,0-38,0
2551264	M12	27,0	24,0	1,3	77,7	6,00-7,00	38,0-56,0



Material: machining steel  
Colour: zinc-plated

Part no.	d1	Part no.	d1	Part no.	d1
453030152	M3	453050152	M5	453080152	M8
453040152	M4	453060152	M6		

Threaded pins/bars according to DIN | Threaded pins ~DIN 551



Threaded pins ~DIN 551 (~DIN EN ISO 24766)

Minimum order quantity:  
500 pcs. for M3  
200 pcs. for M4, M5 + M6  
100 pcs. from M8 upwards

Material: PA 6.6  
Colour: natural  
(\* = version without cone point)

Further types on written request.

Part no.	d1 x L	Part no.	d1 x L	Part no.	d1 x L
0860308	M3 x 8,6	0860409	M4 x 9	0860505	M5 x 5
0860310	M3 x 10	0860410	M4 x 10	0860506	M5 x 6
0860311	M3 x 11	0860411	M4 x 11	0860507	M5 x 7
0860313	M3 x 13	0860413	M4 x 13	0860508	M5 x 8
0860315	M3 x 15	0860415	M4 x 15	0860509	M5 x 9
0860316	M3 x 16	0860416	M4 x 16	0860510	M5 x 10
0860317	M3 x 17	0860417	M4 x 17	0860511	M5 x 11
0860319	M3 x 19	0860419	M4 x 19	0860512	M5 x 12
0860321	M3 x 21	0860420	M4 x 20	0860513	M5 x 13
0860326	M3 x 26	0860421	M4 x 21	0860515	M5 x 15
0860331	M3 x 31	0860425	M4 x 25	0860516	M5 x 16
0860334	M3 x 34	0860426	M4 x 26	0860517	M5 x 17
0860335	M3 x 35	0860429	M4 x 29	0860518	M5 x 18
0860404	M4 x 4	0860430	M4 x 30	0860521	M5 x 21
0860405*	M4 x 5	0860431	M4 x 31	0860526	M5 x 26
0860406	M4 x 6	0860435	M4 x 35	0860531	M5 x 31
0860407	M4 x 7	0860440	M4 x 40	0860536	M5 x 36
0860408	M4 x 8	0860441	M4 x 41	0860541	M5 x 41

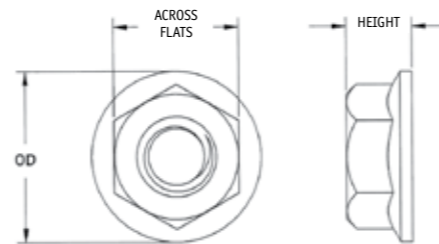
Part no.	d1 x L	Part no.	d1 x L	Part no.	d1 x L
0860546	M5 x 46	0860651	M6 x 51	0860852	M8 x 52
0860550	M5 x 50	0860656	M6 x 56	0860860	M8 x 60
0860605	M6 x 5	0860670	M6 x 70	0860862	M8 x 62
0860606	M6 x 6	0860805	M8 x 5	0860867	M8 x 67
0860607	M6 x 7	0860806	M8 x 6	0860880	M8 x 80
0860608	M6 x 8	0860807	M8 x 7	0861005	M10 x 5
0860609	M6 x 9	0860808	M8 x 8	0861006	M10 x 6
0860610	M6 x 10	0860809	M8 x 9	0861007	M10 x 7
0860611	M6 x 11	0860810	M8 x 10	0861008	M10 x 8
0860612	M6 x 12	0860811	M8 x 11	0861009	M10 x 9
0860613	M6 x 13	0860812	M8 x 12	0861010	M10 x 10
0860615	M6 x 15	0860813	M8 x 13	0861012	M10 x 12
0860616	M6 x 16	0860814	M8 x 14	0861013	M10 x 13
0860617	M6 x 17	0860815	M8 x 15	0861014	M10 x 14
0860618	M6 x 18	0860816	M8 x 16	0861016	M10 x 16
0860620	M6 x 20	0860817	M8 x 17	0861020	M10 x 20
0860621	M6 x 21	0860818	M8 x 18	0861021	M10 x 21
0860622	M6 x 22	0860819	M8 x 19	0861022	M10 x 22
0860625	M6 x 25	0860820	M8 x 20	0861026	M10 x 26
0860626	M6 x 26	0860822	M8 x 22	0861027	M10 x 27
0860627	M6 x 27	0860825	M8 x 25	0861036	M10 x 36
0860630	M6 x 30	0860826	M8 x 26	0861037	M10 x 37
0860631	M6 x 31	0860827	M8 x 27	0861052	M10 x 52
0860632	M6 x 32	0860830	M8 x 30	0861210	M12 x 10
0860635	M6 x 35	0860835	M8 x 35	0861212	M12 x 12
0860636	M6 x 36	0860837	M8 x 37	0861216	M12 x 16
0860640	M6 x 40	0860840	M8 x 40	0861221	M12 x 21
0860641	M6 x 41	0860842	M8 x 42	0861225	M12 x 25
0860642	M6 x 42	0860847	M8 x 47	0861230	M12 x 30
0860645	M6 x 45	0860850	M8 x 50	0861236	M12 x 36
0860646	M6 x 46	0860851	M8 x 51		

**Hexagonal Flange Nuts**

SR K-0002  
Natural PA 6.6



Part Number	Dimensions (mm)					Standard Pack Quantity
	Screw Size	Thread	OD	Across Flats	Height	
04M030050WFHN	M3	0.50	6.60	5.50	3.10	1000
04M040070WFHN	M4	0.70	8.80	7.00	3.40	1000
04M050080WFHN	M5	0.80	9.80	7.90	5.20	1000
04M060100WFHN	M6	1.00	13.00	10.00	6.00	1000
04M080125WFHN	M8	1.25	17.00	13.00	8.00	500
04M100150WFHN	M10	1.50	22.00	16.00	10.00	500
04M120175WFHN	M12	1.75	27.00	19.00	14.50	500
04M160150WFHN	M16	1.50	22.00	18.92	6.70	1000
04M160200WFHN	M16	2.00	39.00	24.00	19.50	500
04M200150WFHN	M20	1.50	27.00	22.86	8.00	500
04M250150WFHN	M25	1.50	32.00	27.94	9.00	250
04M320150WFHN	M32	1.50	42.00	36.45	9.02	250



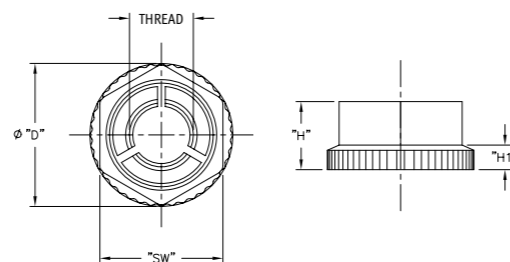
**Kwik Nut Fastener**

**Kwik Nut Fastener**

SR 2305  
KNF  
Black Nylon 6/6, RMS-48



- To press fit over a threaded stud.
- To install, push down the length of the threaded fastener to desired location and lock with a 180° turn



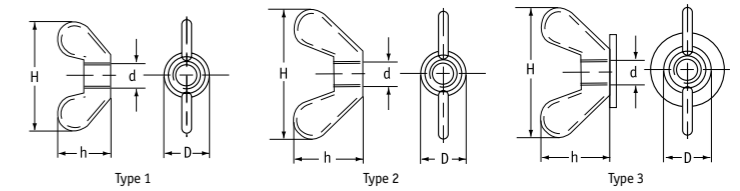
Part Number	Dimensions (mm)					Standard Pack Quantity
	Thread	"SW"	"D"	"H"	"H1"	
1442504	M3	7.0	8.2	4	1.5	1000
1442505	M4	8.0	9.4	4.7	1.5	1000
1442506	M5	10.0	12.0	5.8	2.5	1000
1442507	M6	12.7	15.0	6.9	2.5	1000

Nuts without DIN of metal | Wing nuts of machining steel

**Wing Nuts**

SR 1956  
Natural Nylon 6.6

- Type 1 – small head
- Type 2 – larger wings for ease of turning
- Type 3 – includes washer

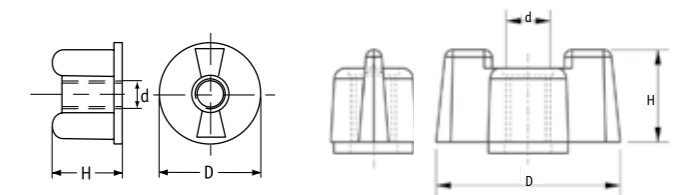


Part Number	Type	Dimensions (mm)				Standard Pack Quantity
		d	D	H	h	
0480510000VR	1	M3 x 0.5	10.0	25.0	12.0	1000
0480520000VR	1	M4 x 0.7	10.0	25.0	12.0	1000
0480530000VR	1	M5 x 0.8	10.0	25.0	12.0	1000
0480540000VR	1	M6 x 1.0	10.0	25.0	12.0	1000
0500020000VR	2	M4 x 0.7	14.0	35.0	22.0	1000
0500030000VR	2	M5 x 0.8	14.0	35.0	22.0	1000
0500040000VR	2	M6 x 1.0	14.0	35.0	22.0	1000
0500050000VR	2	M8 x 1.25	14.0	35.0	22.0	1000
467000	2	M10 x 1.5	17.0	41.0	25.0	1000
0510020000VR	3	M4 x 0.7	24.0	35.0	24.0	1000
0510030000VR	3	M5 x 0.8	24.0	35.0	24.0	1000
0510040000VR	3	M6 x 1.0	24.0	35.0	24.0	1000
0510050000VR	3	M8 x 1.25	24.0	35.0	24.0	1000

**Fly Nuts**

**Fly Nuts**

SR 1988  
Natural Nylon



Part Number	Dimensions (mm)			Type	Standard Pack Quantity
	d	D	H		
0680020000VR	M4	22	13	1	1000
0680030000VR	M5	22	13	1	1000
0680100000VR	M6	22	13	1	1000
467001	M8	22	13	1	1000
053040060002*	M4	25	14	2	100
053050060002*	M5	25	14	2	100
053060060002*	M6	25	14	2	100
053080000002	M8	26	16	2	100

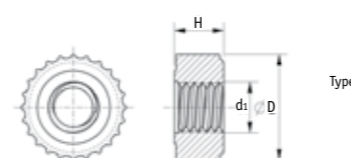
\*White in Colour – RAL 9010

**Black Knurled Nuts**

**Black Knurled Nuts**

SR 1989  
Black Nylon 6.6

- Type 1 – 30% Glass filled Nylon 6.6
- Type 2 – Nylon 6.6



Part Number	Dimensions (mm)					Type	Standard Pack Quantity
	d	D	d1	H	h		
141004069916	M4	13.0	-	4.0	-	1	100
141005069916	M5	13.0	-	5.0	-	1	100
141006069916	M6	13.0	-	6.0	-	1	100
0660020001VR	M4	16.0	10.0	6.0	1.4	2	100
0660030001VR	M5	16.0	10.0	6.0	1.4	2	100
0660040001VR	M6	16.0	10.0	6.0	1.4	2	100

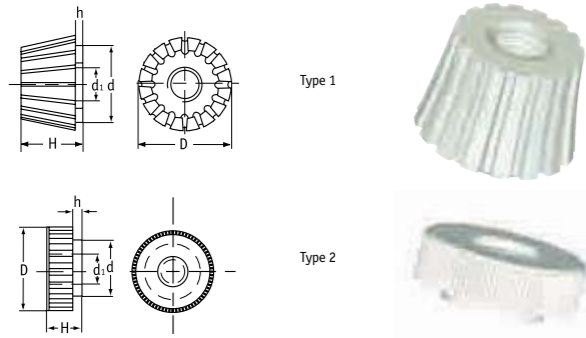
Knurled Nuts

**Knurled Nuts**

SR 1989

Natural Nylon 6.6

- Type 1 – conical
- Type 2 – standard



**Type 1**

Part Number	Dimensions (mm)					Standard Pack Quantity
	d	D	d1	H	h	
0580020000VR	M4 x 0.7	16.0	14.0	12.0	1.0	1000
0580030000VR	M5 x 0.8	16.0	14.0	12.0	1.0	1000
0580040000VR	M6 x 1.0	16.0	14.0	12.0	1.0	1000
0580050000VR	M8 x 1.25	16.0	14.0	12.0	1.0	1000

**Type 2**

Part Number	Dimensions (mm)					Standard Pack Quantity
	d	D	d1	H	h	
0760040000VR	M4 x 0.7	16.0	10.0	8.0	3.5	1000
0760050000VR	M5 x 0.8	16.0	10.0	8.0	3.5	1000
0760060000VR	M6 x 1.0	16.0	10.0	8.0	3.5	1000
0660020000VR	M4 x 0.7	16.0	10.0	6.0	1.4	1000
0660030000VR	M5 x 0.8	16.0	10.0	6.0	1.4	1000
0660040000VR	M6 x 1.0	16.0	10.0	6.0	1.4	1000
0770040000VR	M4 x 0.7	20.0	10.0	8.0	3.5	1000
0770050000VR	M5 x 0.8	20.0	10.0	8.0	3.5	1000
0770060000VR	M6 x 1.0	20.0	10.0	8.0	3.5	1000
0770080000VR	M8 x 1.25	20.0	10.0	8.0	3.5	1000

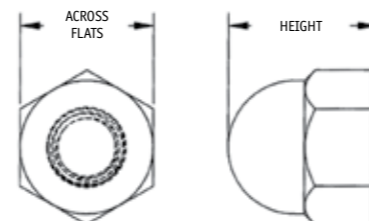
Locking Dome Nuts

**Locking Dome Nuts**

SR K-0003

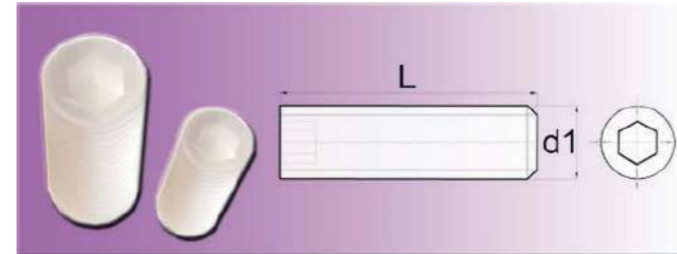
Natural PA 6.6

- Protective locking cap for screw heads
- Locks tightly into place



Part Number	Dimensions (mm)				Standard Pack Quantity
	Screw Size	Thread	Across Flats	Height	
05M040070LCN	M4	0.7	7.0	8.0	1000
05M050080LCN	M5	0.8	8.0	10.0	1000
05M060100LCN	M6	1.0	10.0	12.0	1000

Threaded pins/bars according to DIN | Threaded pins ~DIN 913



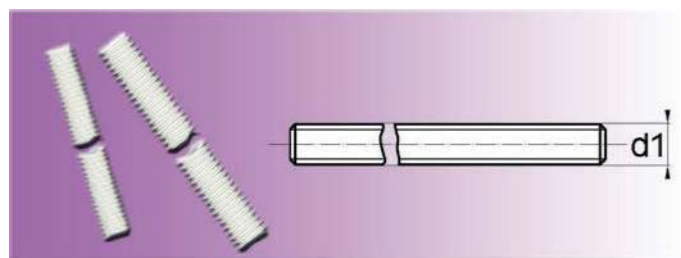
Threaded pins with internal hexagon ~DIN 913 (~DIN EN ISO 4026)

Minimum order quantity: 1,000 pcs. per order and dimension

Material: PA 6.6  
Colour: natural

Part no.	d1 x L	Part no.	d1 x L	Part no.	d1 x L
2860505	M5 x 5	2860609	M6 x 9	2860807	M8 x 7
2860506	M5 x 6	2860610	M6 x 10	2860808	M8 x 8
2860507	M5 x 7	2860611	M6 x 11	2860809	M8 x 9
2860508	M5 x 8	2860612	M6 x 12	2860810	M8 x 10
2860509	M5 x 9	2860613	M6 x 13	2860811	M8 x 11
2860510	M5 x 10	2860615	M6 x 15	2860812	M8 x 12
2860511	M5 x 11	2860616	M6 x 16	2860813	M8 x 13
2860512	M5 x 12	2860617	M6 x 17	2860814	M8 x 14
2860513	M5 x 13	2860618	M6 x 18	2860815	M8 x 15
2860515	M5 x 15	2860620	M6 x 20	2860816	M8 x 16
2860516	M5 x 16	2860621	M6 x 21	2860817	M8 x 17
2860517	M5 x 17	2860622	M6 x 22	2860818	M8 x 18
2860518	M5 x 18	2860625	M6 x 25	2860819	M8 x 19
2860521	M5 x 21	2860626	M6 x 26	2860820	M8 x 20
2860526	M5 x 26	2860630	M6 x 30	2860822	M8 x 22
2860531	M5 x 30	2860631	M6 x 31	2860825	M8 x 25
2860536	M5 x 36	2860632	M6 x 32	2860826	M8 x 26
2860541	M5 x 41	2860636	M6 x 36	2860827	M8 x 27
2860546	M5 x 46	2860641	M6 x 41	2860842	M8 x 42
2860551	M5 x 51	2860646	M6 x 46	2860847	M8 x 47
2860605	M6 x 5	2860651	M6 x 51	2860851	M8 x 51
2860606	M6 x 6	2860656	M6 x 56	2860852	M8 x 52
2860607	M6 x 7	2860805	M8 x 5	2860862	M8 x 62
2860608	M6 x 8	2860806	M8 x 6	2860867	M8 x 65

Threaded pins/bars according to DIN | Threaded bars ~DIN 975

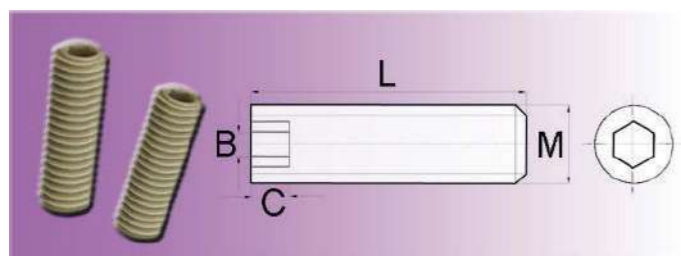


Threaded bars ~DIN 975  
Standard length 1000 mm, further lengths on written request.

Material: PA 6  
Colour: natural

Part no.	d1	Part no.	d1	Part no.	d1
9750030	M3	9750080	M8	9751600	M16
9750040	M4	9751000	M10	9751800	M18
9750050	M5	9751200	M12	9752000	M20
9750060	M6	9751400	M14	9752400	M24

Threaded pins/bars without DIN | Threaded pins with internal hexagon PEEK

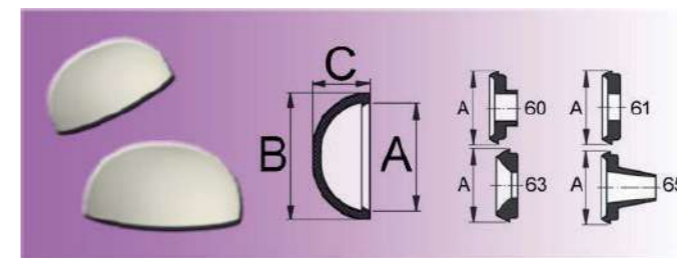


Material: PEEK  
Colour: light brown

- Temperature: max. 180°C
- High-strength and excellent form stability
- High modulus of elasticity and excellent creep resistance
- Resistant to many chemicals
- Flammability rating: UL94 V0
- Further PEEK products: series 280 to series 285 and 302

Part no.	M x L	B x C	Part no.	M x L	B x C	Part no.	M x L	B x C
3860304	M3 x 4	1,5 x 2	3860420	M4 x 20	2 x 2,5	3860615	M6 x 15	3 x 3,5
3860306	M3 x 6	1,5 x 2	3860506	M5 x 6	2,5 x 3	3860620	M6 x 20	3 x 3,5
3860308	M3 x 8	1,5 x 2	3860508	M5 x 8	2,5 x 3	3860625	M6 x 25	3 x 3,5
3860310	M3 x 10	1,5 x 2	3860510	M5 x 10	2,5 x 3	3860810	M8 x 10	4 x 5
3860312	M3 x 12	1,5 x 2	3860512	M5 x 12	2,5 x 3	3860812	M8 x 12	4 x 5
3860315	M3 x 15	1,5 x 2	3860515	M5 x 15	2,5 x 3	3860815	M8 x 15	4 x 5
3860406	M4 x 6	2 x 2,5	3860520	M5 x 20	2,5 x 3	3860820	M8 x 20	4 x 5
3860408	M4 x 8	2 x 2,5	3860606	M6 x 6	3 x 3,5	3860825	M8 x 25	4 x 5
3860410	M4 x 10	2 x 2,5	3860608	M6 x 8	3 x 3,5	3860830	M8 x 30	4 x 5
3860412	M4 x 12	2 x 2,5	3860610	M6 x 10	3 x 3,5			
3860415	M4 x 15	2 x 2,5	3860612	M6 x 12	3 x 3,5			

Protective caps for screws & nuts | Snap-on caps/rings - caps type 61



Caps for snap-on rings.  
These caps are applicable for ring types: 60, 61, 63 and 65.

Material: LDPE / PA 6  
Colours:  
last digits 500 / 113 = white  
last digits 599 = black  
last digits 002 = grey  
last digits 076 = brown

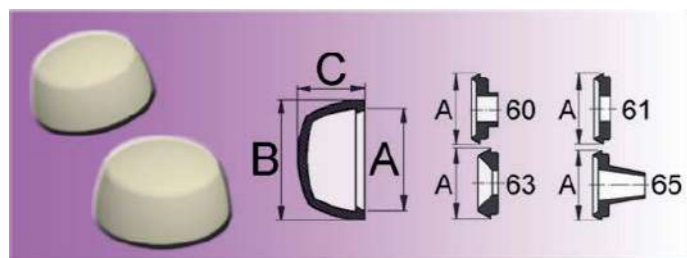
Cap type 61 suitable for  
DIN 84, 85, 95, 96, 97, 439, 963, 964, 965, 966, 6912, 7963, 7971, 7972, 7981, 7982, 7983, 7984, 7991, 7995, 7996, 7997  
ISO 1207, 1481, 1482, 1580, 2009, 2010, 4035, 7046, 7047, 7049, 7050, 7051, 10642

Dimension A has to match the dimension A of the snap-on rings.

Part no.	A	B	C	D	Part no.	A	B	C	D
0061032002	8,5	10,5	4,3	M3	0061052500	12,8	14,5	6,5	M5
0061032076	8,5	10,5	4,3	M3	0061052599	12,8	14,5	6,5	M5
0061032113	8,5	10,5	4,3	M3	0061062002	14,8	16,5	7,5	M6
0061032220	8,5	10,5	4,3	M3	0061062076	14,8	16,5	7,5	M6
0061042002	10,8	12,2	5,9	M4	0061062500	14,8	16,5	7,5	M6
0061042076	10,8	12,2	5,9	M4	0061062599	14,8	16,5	7,5	M6
0061042500	10,8	12,2	5,9	M4	0061082002	18,8	20,6	10,2	M8
0061042599	10,8	12,2	5,9	M4	0061082076	18,8	20,6	10,2	M8
0061052002	12,8	14,5	6,5	M5	0061082500	18,8	20,6	10,2	M8
0061052076	12,8	14,5	6,5	M5	0061082599	18,8	20,6	10,2	M8



Protective caps for screws & nuts | Snap-on caps/rings - caps type 62



Caps for snap-on rings.  
These caps are applicable for ring types: 60, 61, 63 and 65.

Material: PA 6  
Colours:  
last digits 500 = white  
last digits 599 = black  
last digits 002 = grey  
last digits 076 = brown

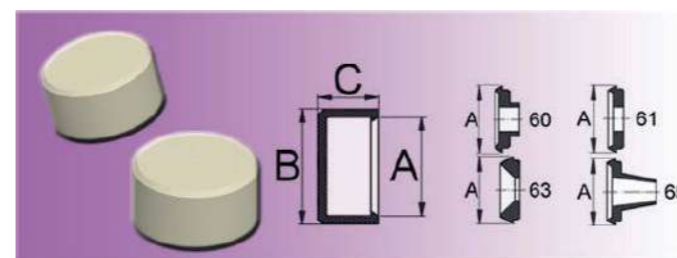
Cap type 62 suitable for  
DIN 95, 97, 555, 558, 571, 601, 912, 931, 934, 963, 964, 965, 966,  
979, 7963, 7972, 7976, 7982, 7983, 7991, 7995, 7997  
ISO 1482, 2009, 2010, 4014, 4016, 4018, 4032, 4034, 4762, 7046,  
7047, 7050, 7051, 10642

Dimension A has to match the dimension A of the snap-on rings.

Part no.	A	B	C	D
0062042002	10,8	12,2	6,0	M4
0062042076	10,8	12,2	6,0	M4
0062042500	10,8	12,2	6	M4
0062042599	10,8	12,2	6	M4
0062052002	12,8	14,2	8	M5
0062052076	12,8	14,2	8	M5
0062052500	12,8	14,2	8	M5
0062052599	12,8	14,2	8	M5
0062062002	14,8	16,6	9	M6
0062062076	14,8	16,6	9	M6

Part no.	A	B	C	D
0062062500	14,8	16,6	9	M6
0062062599	14,8	16,6	9	M6
0062082002	18,8	21,3	12	M8
0062082076	18,8	21,3	12	M8
0062082500	18,8	21,3	12	M8
0062082599	18,8	21,3	12	M8
0062102002	24,0	26,3	15,5	M10
0062102076	24,0	26,3	15,5	M10
0062102500	24,0	26,3	15,5	M10
0062102599	24,0	26,3	15,5	M10

Protective caps for screws & nuts | Snap-on caps/rings - caps type 64



Caps for snap-on rings.  
These caps are applicable for ring types: 60, 61, 63 and 65.

Material: PA 6  
Colours:  
last digits 500 = white  
last digits 599 = black  
last digits 002 = grey  
last digits 076 = brown

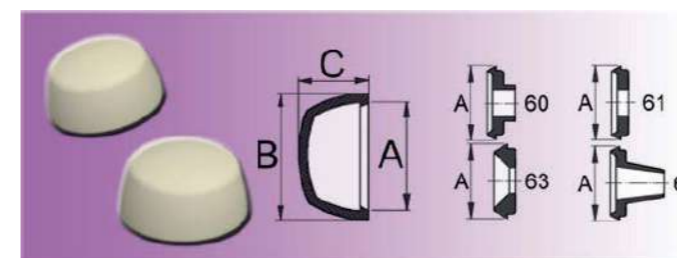
Cap type 64 suitable for  
DIN 95, 97, 555, 558, 571, 601, 912, 931, 934, 963, 964, 965, 966,  
979, 7963, 7972, 7976, 7982, 7983, 7991, 7995, 7997  
ISO 1482, 2009, 2010, 4014, 4016, 4018, 4032, 4034, 4762, 7046,  
7047, 7050, 7051, 10642

Dimension A has to match the dimension A of the snap-on rings.

Part no.	A	B	C	D
0064042002	10,8	12,2	6,2	M4
0064042076	10,8	12,2	6,2	M4
0064042500	10,8	12,2	6,2	M4
0064042599	10,8	12,2	6,2	M4
0064052002	12,8	14,2	7,0	M5
0064052076	12,8	14,2	7,0	M5
0064052500	12,8	14,2	7,0	M5
0064052599	12,8	14,2	7,0	M5
0064062002	14,8	16,5	8,5	M6
0064062076	14,8	16,5	8,5	M6

Part no.	A	B	C	D
0064062500	14,8	16,5	8,5	M6
0064062599	14,8	16,5	8,5	M6
0064082002	18,8	20,6	10,8	M8
0064082076	18,8	20,6	10,8	M8
0064082500	18,8	20,6	10,8	M8
0064082599	18,8	20,6	10,8	M8
0064102002	24,0	26,1	12,8	M10
0064102076	24,0	26,1	12,8	M10
0064102500	24,0	26,1	12,8	M10
0064102599	24,0	26,1	12,8	M10

Protective caps for screws & nuts | Snap-on caps/rings - caps type 65



Caps for snap-on rings.  
These caps are applicable for ring types: 60, 61, 63 and 65.

Material: HDPE  
Colours:  
last digits 011 = white  
last digits 114 = black  
last digits 015 = grey ~RAL7035

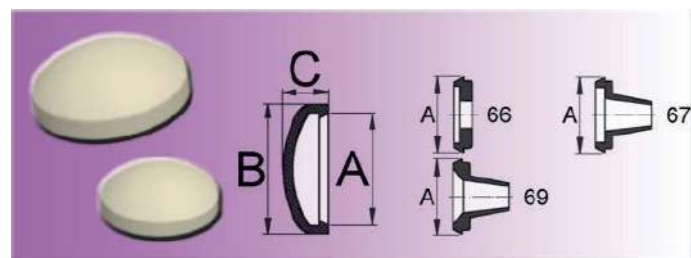
Cap type 65 suitable for  
DIN 95, 97, 555, 558, 571, 601, 912, 931, 934, 963, 964, 965, 966,  
979, 7963, 7972, 7976, 7982, 7983, 7991, 7995, 7997  
ISO 1482, 2009, 2010, 4014, 4016, 4018, 4032, 4034, 4762, 7046,  
7047, 7050, 7051, 10642

Dimension A has to match the dimension A of the snap-on rings.

Part no.	A	B	C	D
0065042011	10,8	12,2	6,0	M4
0065042015	10,8	12,2	6,0	M4

Part no.	A	B	C	D
0065042114	10,8	12,2	6,0	M4

Protective caps for screws & nuts | Snap-on caps/rings - caps type 66



Caps for snap-on rings.  
These caps are applicable for ring types: 66, 67 and 69.

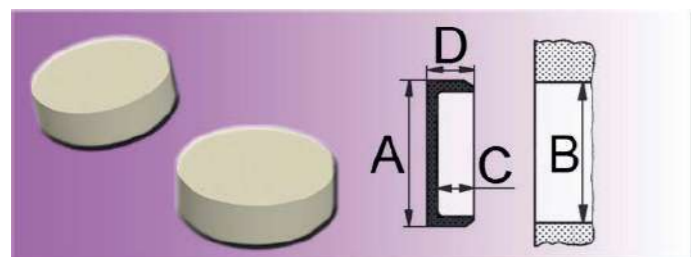
Material: HDPE  
Colours:  
last digits 076 = brown ~RAL8019  
last digits 027 = brown ~RAL8014  
last digits 021 = beige ~RAL9001  
last digits 020 = grey ~RAL7038  
last digits 018 = grey ~RAL7044  
last digits 015 = grey ~RAL7035  
last digits 014 = grey ~RAL7001  
last digits 013 = grey ~RAL7004  
last digits 012 = white ~RAL9016  
last digits 011 = white ~RAL9003  
without last digits = black ~RAL9005

Cap type 66 suitable for  
DIN 84, 85, 95, 96, 97, 439, 963, 964, 965, 6912, 7963, 7971,  
7972, 7981, 7982, 7983, 7984, 7991, 7995, 7996  
ISO 1207, 1481, 1482, 1580, 2009, 2010, 4035, 7046, 7047, 7050,  
7051, 10642

Dimension A has to match the dimension A of the snap-on rings.

Part no.	A	B	C	Part no.	A	B	C	Part no.	A	B	C
0066052	12,0	14,2	5,2	0066052014	12,0	14,2	5,2	0066052027	12,0	14,2	5,2
0066052011	12,0	14,2	5,2	0066052015	12,0	14,2	5,2	0066052076	12,0	14,2	5,2
0066052012	12,0	14,2	5,2	0066052018	12,0	14,2	5,2				
0066052013	12,0	14,2	5,2	0066052020	12,0	14,2	5,2				

Protective caps for screws & nuts | Snap-on caps/rings - caps type 68



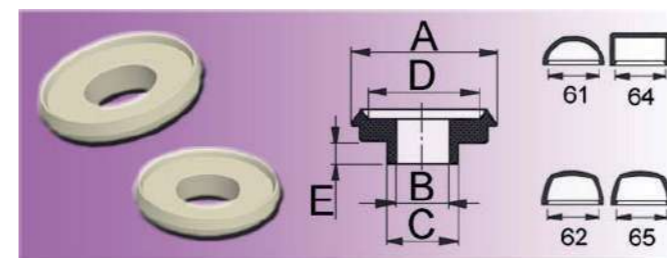
Caps suitable for hole size 12.0 mm

Material: PA  
Colours:  
last digits 013 = grey ~RAL7004  
last digits 015 = grey ~RAL7035  
last digits 021 = white ~RAL9001  
last digits 599 = black ~RAL9006  
without last digits = white ~RAL9003

Cap type 68 suitable for  
DIN 84, 85, 96, 439, 6912, 7971, 7981, 7984, 7996  
ISO 1207, 1481, 1580, 4035

Part no.	A	B	C	D	Part no.	A	B	C	D
0068042	12,2	12,0	3,3	4,0	0068042015	12,2	12,0	3,3	4,0
0068042013	12,2	12,0	3,3	4,0	0068042599	12,2	12,0	3,3	4,0

Protective caps for screws & nuts | Snap-on caps/rings - rings type 60



Washers for snap-on caps.  
These rings are applicable for cap types: 61, 62, 64 and 65.

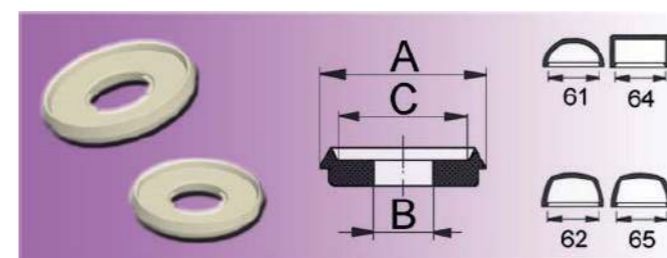
Material: PA  
Colours: natural

Ring type 60 suitable for  
DIN 84, 85, 96, 439, 555, 558, 571, 601, 912, 931, 934, 979, 6912,  
7971, 7976, 7981, 7984, 7996  
ISO 1207, 1481, 1580, 4014, 4016, 4018, 4032, 4034, 4035, 4762,  
7049.

Dimension A has to match the dimension A of the snap-on caps.

Part no.	A	B	C	D	E	F	Part no.	A	B	C	D	E	F
0060041	10,8	4,2	5,9	8,8	2,0	M4	0060081	18,8	8,3	9,8	16,5	3,0	M8
0060051	12,8	5,2	6,9	10,8	2,0	M5	0060101	24,0	10,4	11,8	21,0	3,0	M10
0060061	14,8	6,2	7,9	12,5	2,0	M6							

Protective caps for screws & nuts | Snap-on caps/rings - rings type 61



Washers for snap-on caps.  
These rings are applicable for cap types: 61, 62, 64 and 65.

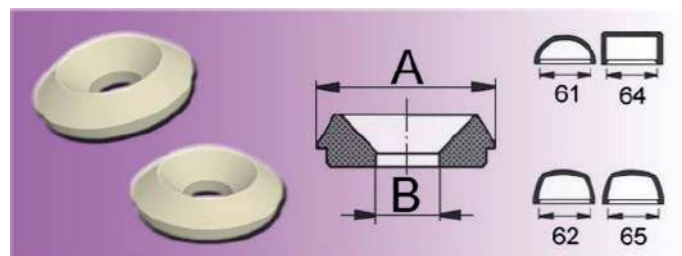
Material: PA  
Colours: natural

Ring type 61 suitable for  
DIN 84, 85, 96, 439, 555, 558, 571, 601, 912, 931, 934, 979, 6912,  
7971, 7976, 7981, 7984, 7996  
ISO 1207, 1481, 1580, 4014, 4016, 4018, 4032, 4034, 4035, 4762,  
7049.

Dimension A has to match the dimension A of the snap-on caps.

Part no.	A	B	C	D	Part no.	A	B	C	D
0061031	8,5	3,2	6,0	M3	0061061	14,8	6,4	12,8	M6
0061041	10,8	4,2	8,6	M4	0061081	18,8	8,4	16,8	M8
0061051	12,8	5,2	10,8	M5	0062101	24,0	10,5	21,0	M10

Protective caps for screws & nuts | Snap-on caps/rings - rings type 63



Washers for snap-on caps.  
These rings are applicable for cap types: 61, 62, 64 and 65.

Material: PA  
Colours: natural

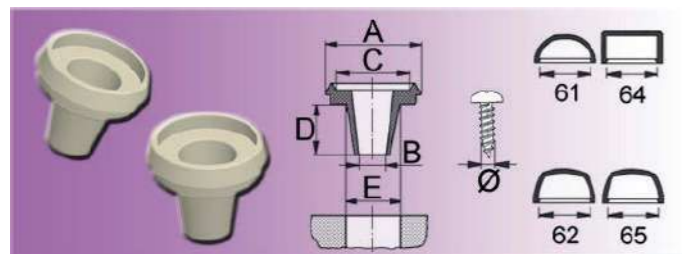
Ring type 63 suitable for  
DIN 95, 97, 963, 964, 965, 966, 7963, 7972, 7982, 7983, 7991, 7995, 7997  
ISO 1482, 2009, 2010, 7046, 7047, 7050, 7051, 10642.

Dimension A has to match the dimension A of the snap-on caps.

Part no.	A	B	C
0063041	10,8	3,2	M3
0063051	12,8	4,3	M4

Part no.	A	B	C
0063061	14,8	5,3	M5
0063081	18,8	6,4	M6

Protective caps for screws & nuts | Snap-on caps/rings - rings type 65



Washers for snap-on caps.  
These rings are applicable for cap types: 61, 62, 64 and 65.

Material: PA  
Colours: natural

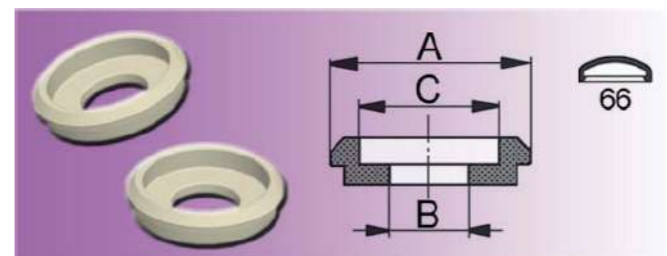
Ring type 65 suitable for  
DIN 84, 85, 96, 439, 555, 558, 571, 601, 912, 931, 934, 979, 6912, 7971, 7976, 7981, 7984, 7996  
ISO 1207, 1481, 1580, 4014, 4016, 4018, 4032, 4034, 4035, 7049.

Dimension A has to match the dimension A of the snap-on caps.

Part no.	A	B	C	D	E	∅
0065031	10,8	3,8	8,6	6,0	6,0	3,8

Part no.	A	B	C	D	E	∅
0065041	10,8	4,2	8,6	6,0	6,0	4,2

Protective caps for screws & nuts | Snap-on caps/rings - rings type 66



Washers for snap-on caps.  
These rings are applicable for cap type: 66

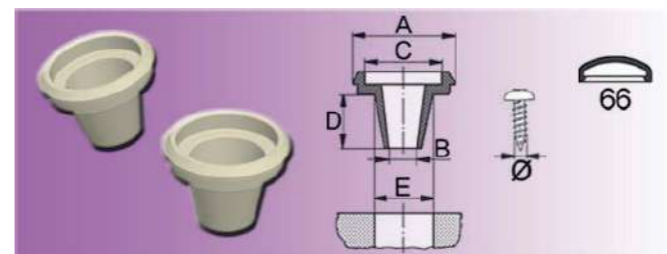
Material: PA  
Colours: natural

Ring type 66 suitable for  
DIN 84, 85, 96, 439, 6912, 7971, 7981, 7984, 7996  
ISO 1207, 1481, 1580, 4035.

Dimension A has to match the dimension A of the snap-on caps.

Part no.	A	B	C	D
0066051	12,0	5,0	9,5	M4

Protective caps for screws & nuts | Snap-on caps/rings - rings type 67



Washers for snap-on caps.  
These rings are applicable for cap type: 66

Material: PA  
Colours: natural

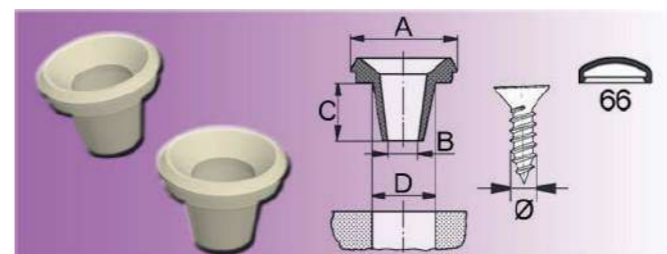
Ring type 67 suitable for  
DIN 84, 85, 96, 439, 6912, 7971, 7981, 7984, 7996  
ISO 1207, 1481, 1580, 4035.

Dimension A has to match the dimension A of the snap-on caps.

Part no.	A	B	C	D	E	∅
0067031	12,0	3,8	9,5	6,0	6,0	3,8
0067041	12,0	4,2	9,5	6,0	6,0	4,2

Part no.	A	B	C	D	E	∅
0067051	12,0	5,0	9,5	6,0	8,0	4,8

Protective caps for screws & nuts | Snap-on caps/rings - rings type 69



Washers for snap-on caps.  
These rings are applicable for cap type: 66

Material: PA  
Colours: natural

Ring type 69 suitable for  
DIN 95, 97, 963, 964, 965, 7963, 7972, 7982, 7983, 7991, 7995  
ISO 1482, 2009, 2010, 7046, 7047, 7050, 7051, 10642.

Dimension A has to match the dimension A of the snap-on caps.

Part no.	A	B	C	D	∅
0069041	12,0	4,2	6,0	7,5	4,2

Part no.	A	B	C	D	∅
0069051	12,0	5,0	6,0	8,0	4,8

Protective caps for screws & nuts | Covering caps for screws



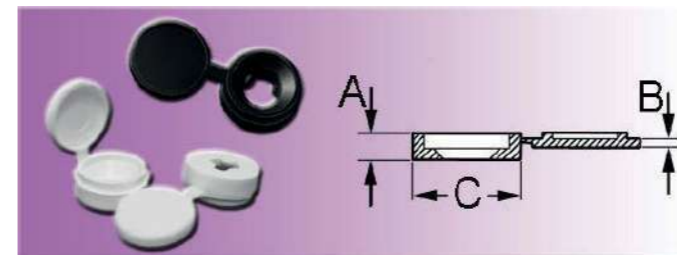
Ideal for booth construction, toolbuilding and furniture industry. Please note that diameter A should exceed the bore hole by 0.2 - 0.3 mm.

Material: PE  
Colours:  
last digits 600 = white  
last digits 699 = black

Further types on written request.

Part no.	A	B	C	Part no.	A	B	C	Part no.	A	B	C
0642512600	2,5	12,0	3,5	0643212600	3,0	12,0	6,0	0643218600	3,0	18,0	7,0
0642512699	2,5	12,0	3,5	0643212699	3,0	12,0	6,0	0643218699	3,0	18,0	7,0
0642612600	2,6	12,0	4,7	0643215600	3,0	15,0	6,0				
0642612699	2,6	12,0	4,7	0643215699	3,0	15,0	6,0				

Protective caps for screws & nuts | Uniscrew caps



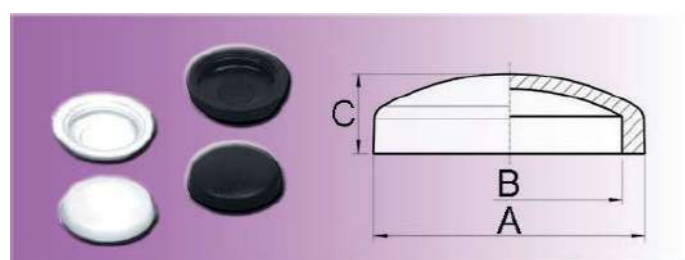
Cap with integrated washer that shortens the mounting time considerably and delivers an aesthetic end product. Applicable for M3, M4 and M5 screws. One dimension for several screw sizes!

Material: PP  
Colours:  
without last digits = white  
last digits 699 = black

V = for countersunk screws / M = for metric screws

Part no.	V	M	A	B	C	Part no.	V	M	A	B	C
1970002	Nr. 6 - 12	3,5 - 6 mm	3,4	1,0	13,6	1970003	Nr. 10 - 12	5,0 - 6 mm	5,0	1,0	17,5
1970002699	Nr. 6 - 12	3,5 - 6 mm	3,4	1,0	13,6	1970003699	Nr. 10 - 12	5,0 - 6 mm	5,0	1,0	17,5
1970001	Nr. 6 - 12	3,5 - 6 mm	3,9	2,9	13,7						

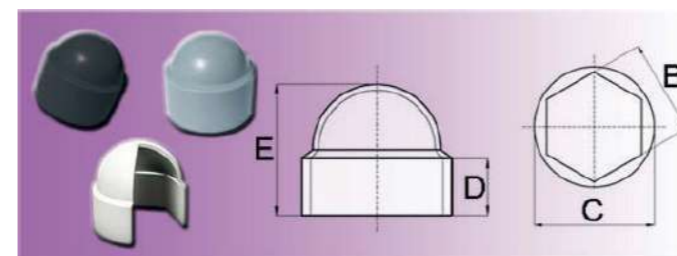
Protective caps for screws & nuts | Flat head caps



Material: PE  
Colours:  
last digits 600 = white  
last digits 699 = black

Part no.	A	B	C	Part no.	A	B	C	Part no.	A	B	C
0630906600	9,0	6,0	3,5	0631209699	12,0	9,0	2,5	0631615600	16,4	15,0	6,7
0630906699	9,0	6,0	3,5	0631219600	12,0	9,0	5,0	0631615699	16,4	15,0	6,7
0630907600	9,2	7,0	4,0	0631219699	12,0	9,0	5,0	0631711600	17,0	11,6	4,0
0630907699	9,2	7,0	4,0	0631409600	14,0	9,0	4,7	0631711699	17,0	11,6	4,0
0631006600	10,0	6,0	4,0	0631409699	14,0	9,0	4,7	0631712600	17,0	12,0	3,6
0631006699	10,0	6,0	4,0	0631410600	14,5	10,5	3,8	0631712699	17,0	12,0	3,6
0631007600	10,5	7,0	5,0	0631410699	14,5	10,5	3,8	0631815600	18,0	15,0	5,3
0631007699	10,5	7,0	5,0	0631411600	14,5	11,0	3,8	0631815699	18,0	15,0	5,3
0631207600	12,0	7,0	4,2	0631411699	14,5	11,0	3,8	0631915600	19,0	15,0	5,7
0631207699	12,0	7,0	4,2	0631511600	15,0	11,5	4,0	0631915699	19,0	15,0	5,7
0631208600	12,0	8,2	2,5	0631511699	15,0	11,5	4,0	0632522600	25,0	22,0	10,0
0631208699	12,0	8,2	2,5	0631612600	16,0	12,0	5,0	0632522699	25,0	22,0	10,0
0631209600	12,0	9,0	2,5	0631612699	16,0	12,0	5,0				

Protective caps for screws & nuts | Hexagon protection caps



Protection against dirt and corrosion.

Material: PE  
Colours:  
without last digits = black  
last digit W = white  
last digits GR = grey

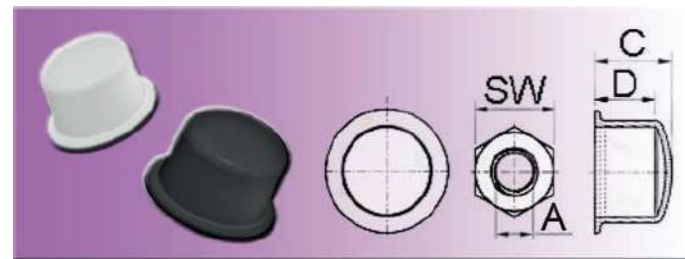
Further types on written request.

Part no.	A	B	C	D	E	Part no.	A	B	C	D	E
1300040	M4	6,9	10,7	6,0	9,4	1300120GR	M12	19,0	24,0	11,0	21,5
1300040GR	M4	6,9	10,7	6,0	9,4	1300120W	M12	19,0	24,0	11,0	21,5
1300040W	M4	6,9	10,7	6,0	9,4	1300140	M14	22,0	26,5	12,0	23,5
1300050	M5	8,0	10,5	5,3	10,2	1300140GR	M14	22,0	26,5	12,0	23,5
1300050GR	M5	8,0	10,5	5,3	10,2	1300140W	M14	22,0	26,5	12,0	23,5
1300050W	M5	8,0	10,5	5,3	10,2	1300160	M16	24,0	30,0	14,0	26,5
1300060	M6	10,0	13,0	7,0	13,0	1300160GR	M16	24,0	30,0	14,0	26,5
1300060GR	M6	10,0	13,0	7,0	13,0	1300160W	M16	24,0	30,0	14,0	26,5
1300060W	M6	10,0	13,0	7,0	13,0	1300180	M18	26,9	34,0	16,0	31,0
1300080	M8	13,0	16,6	7,6	15,2	1300180GR	M18	26,9	34,0	16,0	31,0
1300080GR	M8	13,0	16,6	7,6	15,2	1300180W	M18	26,9	34,0	16,0	31,0
1300080W	M8	13,0	16,6	7,6	15,2	1300200	M20	29,0	36,5	19,4	33,5
1300100	M10	17,0	22,0	8,5	19,5	1300200GR	M20	29,0	36,5	19,4	33,5
1300100GR	M10	17,0	22,0	8,5	19,5	1300200W	M20	29,0	36,5	19,4	33,5
1300100W	M10	17,0	22,0	8,5	19,5	1300220	M22	31,3	38,9	21,2	36,0
1300120	M12	19,0	24,0	11,0	21,5	1300220GR	M22	31,3	38,9	21,2	36,0

Part no.	A	B	C	D	E
1300220W	no longer available!				
1300240	M24	34,5	43,9	22,8	39,3
1300240GR	M24	34,5	43,9	22,8	39,3
1300240W	M24	34,5	43,9	22,8	39,3
1300270	M27	41,0	50,0	25,9	46,5
1300270GR	no longer available!				
1300300	M30	46,0	55,0	26,0	50,0
1300300GR	M30	46,0	55,0	26,0	50,0
1300300W	M30	46,0	55,0	26,0	50,0
1300330	M33	50,0	59,5	28,3	56,2
1300330GR	M33	50,0	59,5	28,3	56,2

Part no.	A	B	C	D	E
1300360	M36	55,0	66,0	29,2	58,0
1300360GR	M36	55,0	66,0	29,2	58,0
1300360W	no longer available!				
1300390	M39	60,0	72,0	34,6	61,0
1300390GR	no longer available!				
1300390W	no longer available!				
1300420	M42	65,0	76,6	36,6	63,1
1300420GR	no longer available!				
1300420W	no longer available!				
1300450	M45	70,0	84,0	34,5	88,4
1300450GR	no longer available!				

Protective caps for screws & nuts | Protection caps - short



Short version!  
Protect against dirt and corrosion and are resistant to all weather influences and a lot of chemicals. Applicable **without** washer.

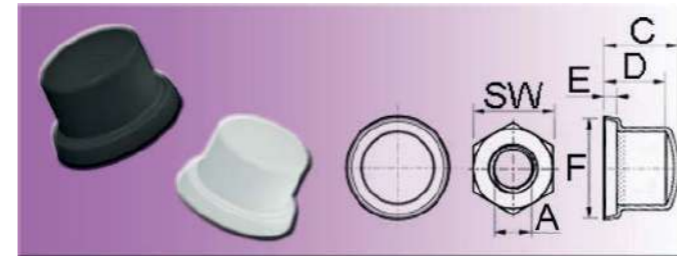
Material: PE  
Colours:  
last digits 500 = white  
without last digits = black

Also available in grey RAL 7004 - please send us your enquiry!

Part no.	A	SW	C	D
0340303	M3	5,5	3,7	2,7
0340306	M3	5,5	6,5	5,5
0340307	M3	5,5	8,2	7,0
0340404	M4	7	5,1	4,0
0340407	M4	7	8,1	7,1
0340409	M4	7	10,0	8,9
0340505	M5	8	6,0	4,9
0340508	M5	8	9,6	8,2
0340510	M5	8	11,3	10,2
0340519	M5	8	20,0	18,9
0340610	M6	10	10,0	7,0
0340610500	M6	10	10,0	7,0

Part no.	A	SW	C	D
0340812	M8	13	12,0	9,0
0340812500	M8	13	12,0	9,0
0341015	M10	17	15,0	11,0
0341015500	M10	17	15,0	11,0
0341217	M12	19	17,0	13,0
0341217500	M12	19	17,0	13,0
0341422	M14	22	22,0	18,0
0341422500	M14	22	22,0	18,0
0341622	M16	24	22,0	18,0
0341622500	M16	24	22,0	18,0
0342028	M20	30	28,0	24,0
0342028500	M20	30	28,0	24,0

Protective caps for screws & nuts | Protection caps - short with washer



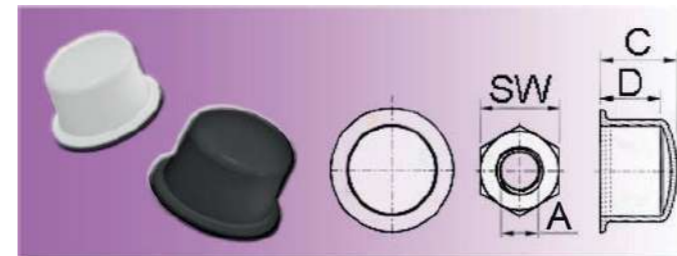
Short version!  
Protect against dirt and corrosion and are resistant to all weather influences and a lot of chemicals. Applicable **with** washer.

Material: PE  
Colours:  
last digits 500 = white  
without last digits = black

Part no.	A	SW	C	D	E	F
0350405	M4	7	10,8	4,7	0,8	9,8
0350410	M4	7	10,8	9,7	0,8	9,4
0350408	M4	7	10,9	7,8	0,8	9,6
0350409	M4	7	14,0	8,6	1,0	12,8
0350509	M5	8	11,6	9,1	1,0	10,8
0350511	M5	8	12,0	11,1	1,0	10,9
0350506	M5	8	12,3	5,6	1,0	11,0
0350510	M5	8	16,8	10,6	1,9	15,5
0350612	M6	10	12,0	9,0	2,0	13,2
0350612500	M6	10	12,0	9,0	2,0	13,2

Part no.	A	SW	C	D	E	F
0350815	M8	13	15,0	12,0	2,3	17,9
0350815500	M8	13	15,0	12,0	2,3	17,9
0351018	M10	17	18,0	14,0	2,7	22,0
0351018500	M10	17	18,0	14,0	2,7	22,0
0351221	M12	19	21,0	17,0	3,5	25,5
0351221500	M12	19	21,0	17,0	3,5	25,5
0351627	M16	24	27,0	23,0	4,4	31,5
0351627500	M16	24	27,0	23,0	4,4	31,5
0352033	M20	30	32,0	4,7	5,0	38,7
0352033500	M20	30	32,0	4,7	5,0	38,7

Protective caps for screws & nuts | Protection caps - long



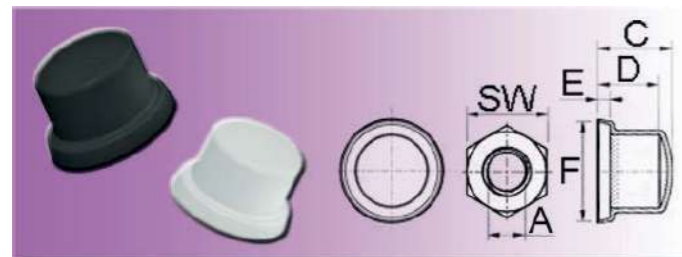
Long version!  
Protect against dirt and corrosion and are resistant to all weather influences and a lot of chemicals. Applicable **without** washer.

Material: PE  
Colours:  
last digits 500 = white  
without last digits = black

Part no.	A	SW	C	D
0340615	M6	10	15,0	12,0
0340615500	M6	10	15,0	12,0
0340819	M8	13	19,0	16,0
0340819500	M8	13	19,0	16,0
0341023	M10	17	23,0	19,0
0341023500	M10	17	23,0	19,0
0341227	M12	19	27,0	23,0

Part no.	A	SW	C	D
0341227500	M12	19	27,0	23,0
0341635	M16	24	35,0	31,0
0341635500	M16	24	35,0	31,0
0342044	M20	30	44,0	40,0
0342044500	M20	30	44,0	40,0
0342249	M22	32	49,0	44,0
0342249500	M22	32	49,0	44,0

Protective caps for screws & nuts | Protection caps - long with washer



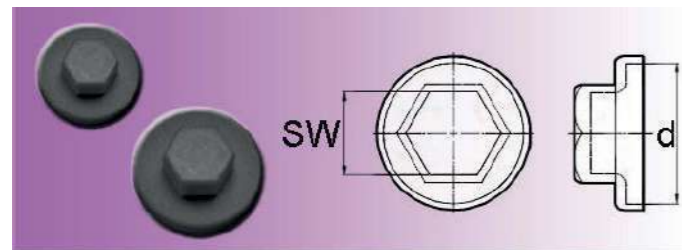
Long version!  
Protect against dirt and corrosion and are resistant to all weather influences and a lot of chemicals. Applicable **with** washer.

Material: PE  
Colours:  
last digits 500 = white  
without last digits = black

Part no.	A	SW	C	D	E	F
0350617	M6	10	17,0	13,0	2,0	13,2
0350617500	M6	10	17,0	13,0	2,0	13,2
0350822	M8	13	22,0	19,0	2,3	17,9
0350822500	M8	13	22,0	19,0	2,3	17,9
0351026	M10	17	26,0	22,0	2,7	22,0
0351026500	M10	17	26,0	22,0	2,7	22,0

Part no.	A	SW	C	D	E	F
0351231	M12	19	31,0	27,0	3,5	25,5
0351231500	M12	19	31,0	27,0	3,5	25,5
0351640	M16	24	40,0	36,0	4,4	31,5
0351640500	M16	24	40,0	36,0	4,4	31,5
0352049	M20	30	48,0	45,0	5,0	38,7
0352049500	M20	30	48,0	45,0	5,0	38,7

Protective caps for screws & nuts | Protection caps for facade screws



Protection caps for facade screws (hexagon head screws) with round neoprene slice.

Material: PE  
Colour: black

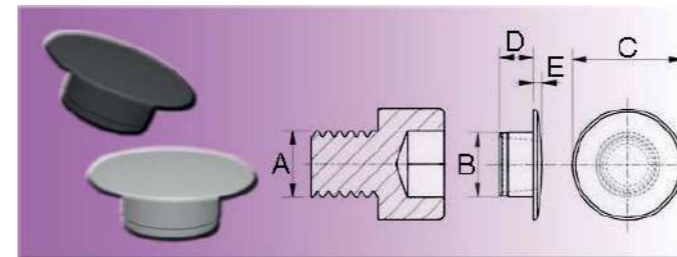
A production according to RAL colour chart or colour sample is possible - please send us your enquiry!

Part no.	SW	d	Ø washer
0440001	3/8"	18,0	16
0440002	3/8"	25,5	19 - 22
0440003	8	18,0	16

Part no.	SW	d	Ø washer
0440004	8	25,5	19 - 22 + 25
0440005	10	18,0	16
0440006	10	25,5	19 - 22 + 25

Part no.	SW	d	Ø washer
0440007	17	26,0	19 - 22 + 25

Protective caps for screws & nuts | for hexagon socket screws



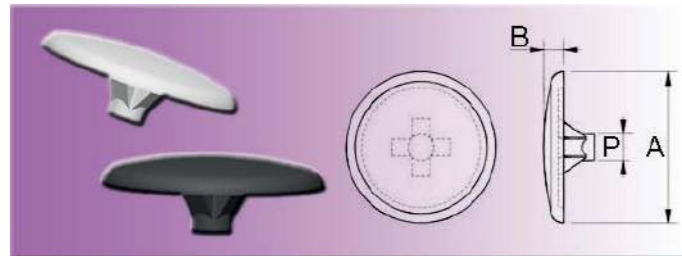
For a quick and clean covering of hexagon socket screws. Protection against dust and dirt. Ideal for toolbuilding and mechanical engineering.

Material: PE  
Colours:  
last digits 113 = white  
last digits 220 = black  
last digits 002 = grey

Part no.	A	B	C	D	DIN	E
0390032002	-	3,1	12,0	2,0	-	-
0390032113	-	3,1	12,0	2,0	-	-
0390032220	-	3,1	12,0	2,0	-	-
0390003002	-	3,2	9,0	2,2	-	-
0390003113	-	3,2	9,0	2,2	-	-
0390003220	-	3,2	9,0	2,2	-	-
0390052002	-	4,1	12,5	2,3	-	-
0390052113	-	4,1	12,5	2,3	-	-
0390052220	-	4,1	12,5	2,3	-	-
0390005002	M5	4,2	9,0	2,5	912	1,3
0390005113	M5	4,2	9,0	2,5	912	1,3
0390005220	M5	4,2	9,0	2,5	912	1,3
0390053002	-	4,2	10,0	2,9	-	-
0390053113	-	4,2	10,0	2,9	-	-
0390053220	-	4,2	10,0	2,9	-	-
0390004002	M5	4,2	13,0	3,0	-	-
0390004113	M5	4,2	13,0	2,9	-	-
0390004220	M5	4,2	13,0	3,0	-	-
0390055002	-	4,2	14,5	2,4	-	-
0390055113	-	4,2	14,5	2,4	-	-
0390055220	-	4,2	14,5	2,4	-	-
0390056002	-	4,4	12,5	2,0	-	-
0390056113	-	4,4	12,5	2,0	-	-
0390056220	-	4,4	12,5	2,0	-	-
0390057002	-	4,4	14,5	2,4	-	-
0390057113	-	4,4	14,5	2,4	-	-
0390057220	-	4,4	14,5	2,4	-	-
0390051113	-	4,2	18,0	-	7984/7991	-
0390051220	-	4,4	18,0	-	7984/7991	-

Part no.	A	B	C	D	DIN	E
0390006002	M6	5,2	10,0	3,1	912	1,4
0390006113	M6	5,2	10,0	3,1	912	1,4
0390006220	M6	5,2	10,0	3,1	912	1,4
0390062002	-	5,3	10,0	2,7	-	-
0390062113	-	5,3	10,0	2,7	-	-
0390062220	-	5,3	10,0	2,7	-	-
0390063002	-	5,3	11,5	2,7	-	-
0390063113	-	5,3	11,5	2,7	-	-
0390063220	-	5,3	11,5	2,7	-	-
0390061113	-	5,3	18,0	4,0	7984/7991	1,0
0390061220	-	5,3	18,0	4,0	7984/7991	1,0
0390008002	M8	6,2	13,0	4,0	912	1,5
0390008113	M8	6,2	13,0	4,0	912	1,5
0390008220	M8	6,2	13,0	4,0	912	1,5
0390081220	-	6,2	18,0	2,75	7984/7991	1,08
0390010002	M10	8,2	16,0	5,0	912	1,6
0390010113	M10	8,2	16,0	5,0	912	1,6
0390010220	M10	8,2	16,0	5,0	912	1,6
0390101220	-	8,4	18,0	-	7984/7991	-
0390012002	M12	10,3	18,0	6,4	912	1,8
0390012113	M12	10,3	18,0	6,4	912	1,8
0390012220	M12	10,3	18,0	6,4	912	1,8
0390016002	M16	14,4	24,0	7,0	912	2,2
0390016113	M16	14,4	24,0	7,0	912	2,2
0390016220	M16	14,4	24,0	7,0	912	2,2
0390020002	M20	17,4	30,0	9,0	912	2,5
0390020113	M20	17,4	30,0	9,0	912	2,5
0390020220	M20	17,4	30,0	9,0	912	2,5

Protective caps for screws & nuts | for Pozidriv



Ideal for booth construction and toolbuilding as well as for the furniture industry.  
P = Pozidriv

Material: PE  
Colours:  
last digits 600 = white  
last digits 699 = black

Part no.	A	B	P	Part no.	A	B	P	Part no.	A	B	P
1190001600	8,1	1,7	1	1190003600	13,0	2,4	3	1190005600	18,2	2,2	5
1190001699	8,1	1,7	1	1190003699	13,0	2,4	3	1190005699	18,2	2,2	5
1190002600	12,0	1,7	2	1190004600	14,0	2,2	4				
1190002699	12,0	1,7	2	1190004699	14,0	2,2	4				

Protective caps for screws & nuts | for blind rivets

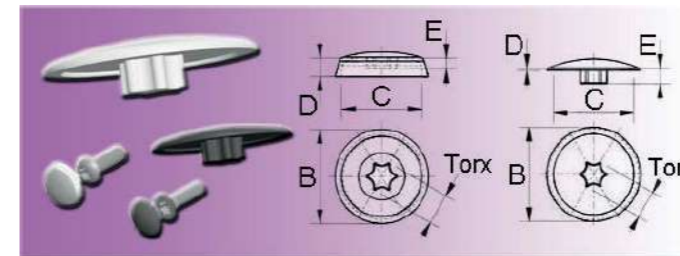


Ideal for booth construction and toolbuilding as well as for the furniture industry.

Material: PE  
Colours:  
last digits 600 = white  
last digits 699 = black

Part no.	A	B	C	Part no.	A	B	C	Part no.	A	B	C
0652080600	2,0	8,0	1,5	0653013600	3,0	13,0	4,0	0653913600	3,9	13,0	10,0
0652080699	2,0	8,0	1,5	0653013699	3,0	13,0	4,0	0653913699	3,9	13,0	10,0
0652612600	2,6	12,0	5,0	0653015600	3,0	15,0	5,0	0653916600	3,9	15,8	8,8
0652612699	2,6	12,0	5,0	0653015699	3,0	15,0	5,0	0653916699	3,9	15,8	8,8
0652613600	2,6	13,0	4,0	0653018600	3,0	18,0	2,0	0654513600	4,5	13,0	10,0
0652613699	2,6	13,0	4,0	0653018699	3,0	18,0	2,0	0654513699	4,5	13,0	10,0
0652615600	2,6	15,0	4,0	0653019600	3,0	18,0	7,0	0655214600	5,2	14,0	10,0
0652615699	2,6	15,0	4,0	0653019699	3,0	18,0	7,0	0655214699	5,2	14,0	10,0
0652812600	2,8	11,0	4,0	0653213600	3,2	13,0	4,0				
0652812699	2,8	11,0	4,0	0653213699	3,2	13,0	4,0				

Protective caps for screws & nuts | for torx screws



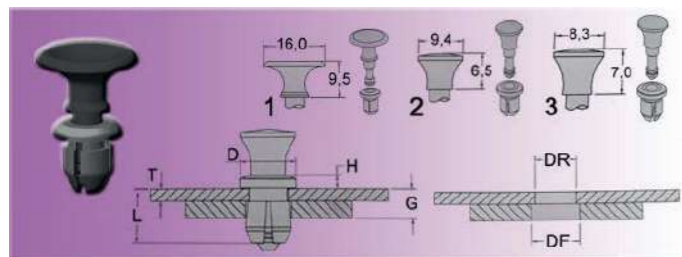
Covering caps for SIT and torx screws. Protect against dirt, damage and unintentional release. Available for countersunk and fillister head screws.

Material: LDPE  
Colours:  
last digits 500 = white ~RAL 9010  
last digits 599 = black ~RAL 9005  
last digits 002 = silver-grey ~RAL 7001

Part no.	Torx	B	C	D	E	Part no.	Torx	B	C	D	E
2580105002	10	12,0	-	-	1,2	2580005599	25	16,5	13,0	2,7	4,1
2580105500	10	12,0	-	-	1,2	2580125002	30	16,5	13,5	0,5	2,4
2580105599	10	12,0	-	-	1,2	2580125500	30	16,5	13,5	0,5	2,4
2580110002	15	12,0	-	1,6	1,5	2580125599	30	16,5	13,5	0,5	2,4
2580110500	15	12,0	-	1,6	1,5	2580010002	30	16,5	14,4	3,3	1,6
2580110599	15	12,0	-	1,6	1,5	2580010500	30	16,5	14,4	3,3	1,6
2580115002	20	12,0	-	2,1	1,6	2580010599	30	16,5	14,4	3,3	1,6
2580115500	20	12,0	-	2,1	1,6	2580015002	40	16,2	14,2	2,6	4,8
2580115599	20	12,0	-	2,1	1,6	2580015500	40	16,2	14,2	2,6	4,8
2580120002	25	15,0	12,8	0,3	2,4	2580015599	40	16,2	14,2	2,6	4,8
2580120500	25	15,0	12,8	0,3	2,4	2580130002	40	18,0	15,2	0,1	2,4
2580120599	25	15,0	12,8	0,3	2,4	2580130500	40	18,0	15,2	0,1	2,4
2580005002	25	16,5	13,0	2,7	4,1	2580130599	40	18,0	15,2	0,1	2,4
2580005500	25	16,5	13,0	2,7	4,1						

Special colours according to RAL possible from 5,000 pcs - please send us your enquiry!

Drive fasteners | rivets | Quick-fastening rivets



Quick fastening system set

- Set1 (0951) = pin Ø 16 mm
- Set2 (0952) = pin Ø 9,4 mm
- Set3 (0953) = pin Ø 8,3 mm

Installing: Push the socket into the removable board and then insert the pin into the socket.  
To remove simply pull the pin.

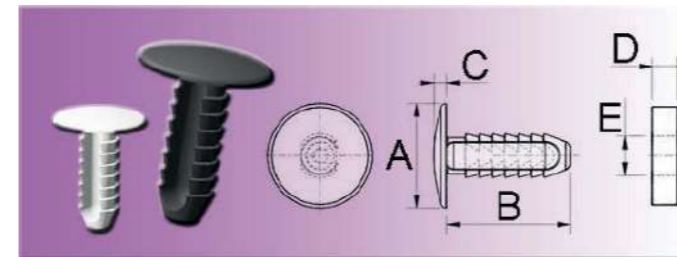
Material:  
Pin: PA 6 UL94-V2  
Socket: Polycarbonate UL94-V2

Colour: black

White colour on request.

Part no.	D	DF	DR	G	H	L	T
0951000699	10,8	8,1 ± 0,1	7,6 ± 0,1	1,5-3,7	2	8,6	1,1
0951001699	10,8	8,1 ± 0,1	7,6 ± 0,1	2,0-4,2	2	9	1,6
0951002699	10,8	8,1 ± 0,1	7,6 ± 0,1	3,0-5,2	2	10	2,5
0951003699	10,8	8,1 ± 0,1	7,6 ± 0,1	4,6-6,9	2	11,7	4,1
0951004699	10,8	8,1 ± 0,1	7,6 ± 0,1	5,8-8,1	2	12,9	5,3
0952000699	10,8	8,1 ± 0,1	7,6 ± 0,1	1,5-3,7	2	8,6	1,1
0952001699	10,8	8,1 ± 0,1	7,6 ± 0,1	2,0-4,2	2	9	1,6
0952002699	10,8	8,1 ± 0,1	7,6 ± 0,1	3,0-5,2	2	10	2,5
0952003699	10,8	8,1 ± 0,1	7,6 ± 0,1	4,6-6,9	2	11,7	4,1
0952004699	10,8	8,1 ± 0,1	7,6 ± 0,1	5,8-8,1	2	12,9	5,3
0953000699	8,5	6,4 ± 0,1	6,0 ± 0,1	1,5-3,7	1,8	8	1,1
0953001699	8,5	6,4 ± 0,1	6,0 ± 0,1	2,0-4,2	1,8	8,5	1,6
0953002699	8,5	6,4 ± 0,1	6,0 ± 0,1	3,0-5,2	1,8	9,5	2,5
0953003699	8,5	6,4 ± 0,1	6,0 ± 0,1	4,6-6,9	1,8	11	4,1

Drive fasteners | rivets | Ribbed rivets



For the fastening in timber, steel sheets, cardboards etc. Easy finger-pressure assembly. Also applicable in threads.

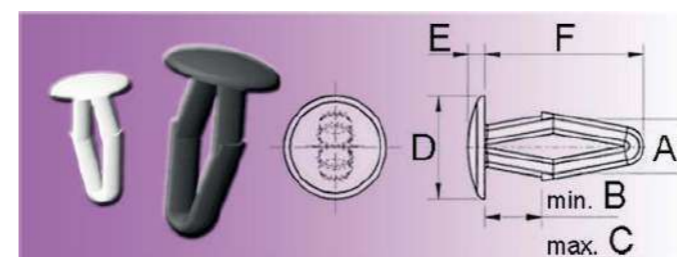
Material: PA 6.6  
Colours:  
last digits 000 = white  
last digits 599 = black

Further types on written request.

Part no.	A	B	C	D	E
0920001000	14,0	15,0	2,0	3,0 - 11,0	5,8
0920001599	14,0	15,0	2,0	3,0 - 11,0	5,8
0920002000	16,0	19,0	2,0	3,0 - 15,0	5,8

Part no.	A	B	C	D	E
0920002599	16,0	19,0	2,0	3,0 - 15,0	5,8
0920004000	18,0	23,0	2,0	3,0 - 19,0	7,0
0920004599	18,0	23,0	2,0	3,0 - 19,0	7,0

Drive fasteners | rivets | Rivets POM



Unique:  
One rivet for several sheet thicknesses. Quick and easy to assemble by hand. Made of a plastic material with lasting elasticity.

Material: POM  
Colours:  
last digits 000 = white  
last digits 599 = black

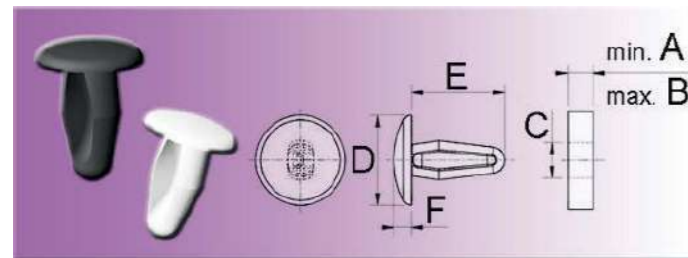
Further types on written request.

Part no.	A	B - C	D	E	F
1370008000	3,2	1,0 - 4,5	8,0	1,5	13,0
1370008599	3,2	1,0 - 4,5	8,0	1,5	13,0
1370010000	3,4 - 3,5	1,0 - 4,5	8,0	1,5	13,0
1370010599	3,4 - 3,5	1,0 - 4,5	8,0	1,5	13,0
1370020000	3,9 - 4,0	1,0 - 5,0	9,0	1,6	14,0
1370020599	3,9 - 4,0	1,0 - 5,0	9,0	1,6	14,0
1370030000	4,7 - 4,8	1,0 - 5,5	10,0	1,7	15,0
1370030599	4,7 - 4,8	1,0 - 5,5	10,0	1,7	15,0

Part no.	A	B - C	D	E	F
1370031000	4,7 - 4,8	1,0 - 5,5	11,0	3,0	15,0
1370031599	4,7 - 4,8	1,0 - 5,5	11,0	3,0	15,0
1370060000	5,5	6,0 - 9,0	12,0	2,0	18,0
1370060599	5,5	6,0 - 9,0	12,0	2,0	18,0
1370040000	6,4 - 6,5	1,5 - 6,5	12,0	2,0	17,0
1370040599	6,4 - 6,5	1,5 - 6,5	12,0	2,0	17,0
1370050000	7,8 - 8,0	1,5 - 7,0	14,0	2,4	19,0
1370050599	7,8 - 8,0	1,5 - 7,0	14,0	2,4	19,0



Drive fasteners | rivets | Rivets PA 6.6



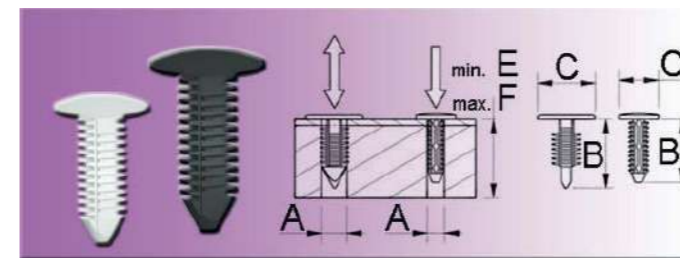
Easy assembly by thumb pressure!  
The rivets provide a cheap way to fasten metal, plastic, timber and other thin-walled materials. Resistant to vibrations, abrasion and corrosion.  
Reusable! Can also be used as a plug or cap.

Material: PA 6.6  
Colours:  
Last digits 000 = natural  
Last digits 699 and 599 = black

Part no.	A - B	C	D	E	F
0910010000	0,5 - 3,0	5,0	14,0	14,5	3,0
0910113699	0,5 - 3,0	4,6	14,0	14,5	3,0
0910010699	no longer available!				
0910000000	0,8 - 3,6	2,8	7,8	12,0	1,2
0910013000	no longer available!				
0910013599	0,8 - 5,0	6,6	12,7	14,5	1,7
0910002000	0,9 - 4,0	3,5	10,3	11,0	2,5
0910002699	0,9 - 4,0	3,5	10,3	11,0	2,5
0910003000	0,9 - 4,0	3,5	10,3	11,0	4,8
0910003699	0,9 - 4,0	3,5	10,3	11,0	4,8
0910004000	1,5 - 3,5	5,0	9,5	11,0	1,6
0910004599	1,5 - 3,5	5,0	9,5	11,0	1,6
0911002000	1,6 - 3,2	3,8	7,1	9,9	1,5
0911002699	1,6 - 3,2	3,8	7,1	9,9	1,5
0911003000	1,6 - 3,2	4,1	7,1	9,9	1,5
0911003699	1,6 - 3,2	4,1	7,1	9,9	1,5
0911007000	1,6 - 3,2	5,7	9,4	10,7	1,5
0911007699	1,6 - 3,2	5,7	9,4	10,7	1,5
0911009000	1,6 - 3,2	5,7	9,4	11,4	1,5
0911009699	1,6 - 3,2	5,7	9,4	11,4	1,5
0911006000	1,6 - 3,7	4,6	7,1	10,2	1,5
0911006699	no longer available!				
0911013000	1,6 - 8,6	9,5	17,3	22,9	1,8
0911013699	1,6 - 8,6	9,5	17,3	22,9	1,8

Part no.	A - B	C	D	E	F
0910015000	2,0 - 5,5	7,2	14,3	17,0	2,0
0910015699	2,0 - 5,5	7,2	14,3	17,0	2,0
0910001000	2,4 - 5,8	3,5	7,6	13,0	1,1
0910001699	2,4 - 5,8	3,5	7,6	13,0	1,1
0910007699	3,0 - 6,0	4,7	14,0	15,0	2,2
0910011000	no longer available!				
0910011699	no longer available!				
0910016000	3,0 - 9,0	9,4	20,0	24,0	2,6
0910016599	3,0 - 9,0	9,4	20,0	24,0	2,6
0911004000	3,2 - 3,6	4,1	7,1	8,1	1,5
0911004699	no longer available!				
0911010000	3,2 - 4,7	6,3	9,4	13,7	1,5
0911010699	3,2 - 4,7	6,3	9,4	13,7	1,5
0911011000	3,2 - 4,7	7,4	12,3	14,6	1,5
0911011699	3,2 - 4,7	7,4	12,3	14,6	1,5
0911008000	4,2 - 4,7	5,2	9,4	13,2	1,5
0911008699	4,2 - 4,7	5,2	9,4	13,2	1,5
0910012000	6,0 - 8,5	5,8	15,0	18,0	3,0
0910012699	6,0 - 8,5	5,8	15,0	18,0	3,0
0911005000	7,4 - 7,6	5,0	7,1	13,5	1,5
0911005699	7,4 - 7,6	5,0	7,1	13,5	1,5
0911012000	9,1 - 9,7	6,2	15,5	20,6	1,7
0911012699	9,1 - 9,7	6,2	15,5	20,6	1,7

Drive fasteners | rivets | PineTreeClips - type 1



Applicable for higher bore hole tolerances. Suitable for blind holes or holes with and without screw threads. Fast assembly, generally no tools required.

2 types - removable (application dependent) and non-removable (application dependent)  
D = removable +/- (yes/no)

Material: PA  
Colours:  
last digits 000 = natural  
last digits 699 = black

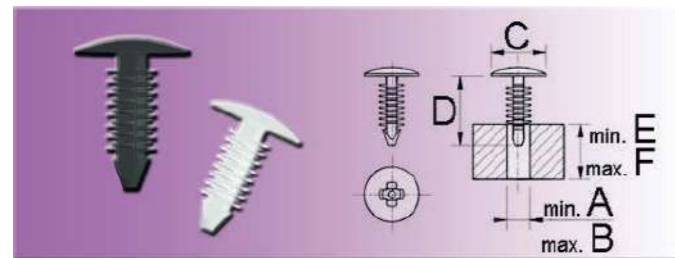
Part no.	A	B	C	D	E	F
2670020000	3,0	7,8	6	+	3,5	6,3
2670020699	3,0	7,8	6	+	3,5	6,3
2670025000	3,0	14,5	5,5	+	4	12
2670025699	3,0	14,5	5,5	+	4	12
2670027000	3,0	18,5	5,4	+	4	16,5
2670027699	3,0	18,5	5,4	+	4	16,5
2671020000	3,5	9,5	9,1	-	0,7	5
2671020699	3,5	9,5	9,1	-	0,7	5
2671025000	4,0	11,0	9,1	-	0,7	6
2671025699	4,0	11,0	9,1	-	0,7	6
2670030000	4,0	13,5	9,5	+	0,9	8
2670030699	4,0	13,5	9,5	+	0,9	8
2670035000	4,8	11,1	11	+	0,9	5,3
2670035699	4,8	11,1	11	+	0,9	5,3
2671035000	4,8	12,2	11	-	0,7	8
2671035699	4,8	12,2	11	-	0,7	8
2671040000	4,8	12,2	19	-	0,7	8
2671040699	4,8	12,2	19	-	0,7	8
2670045000	4,8	16,3	11	+	2	10
2670045699	4,8	16,3	11	+	2	10
2671030000	4,8	17,3	11	-	0,7	13
2671030699	4,8	17,3	11	-	0,7	13
2671031699	4,8	17,4	11,5	-	1,7	13
2670040000	4,8	17,8	11,9	+	2,5	15,2
2670040699	4,8	17,8	11,9	+	2,5	15,2
2670050000	5,0	11,0	16	+	1,2	6
2670050699	5,0	11,0	16	+	1,2	6
2670055000	5,0	12,7	11	+	1,7	8
2670055699	5,0	12,7	11	+	1,7	8
2671050000	5,5	19,7	13	-	1,5	14,2
2671050699	5,5	19,7	13	-	1,5	14,2

Part no.	A	B	C	D	E	F
2671045000	5,5	19,7	16,5	-	1,5	14,2
2671045699	5,5	19,7	16,5	-	1,5	14,2
2670065000	6,0	12,7	15,5	+	2	8
2670065699	6,0	12,7	15,5	+	2	8
2670067000	6,0	12,7	19	+	2,4	8,1
2670067699	6,0	12,7	19	+	2,4	8,1
2671060000	6,0	15,5	17,8	-	2,3	8,9
2671060699	6,0	15,5	17,8	-	2,3	8,9
2671065000	6,0	15,9	12,7	-	3,2	10,3
2671065699	6,0	15,9	12,7	-	3,2	10,3
2670070699	6,0	18,0	13	+	2,5	10
2671070000	6,0	20,4	17,8	-	2,5	12
2671070699	6,0	20,4	17,8	-	2,5	12
2670075000	6,0	24,0	12,7	+	3,5	19
2670075699	6,0	24,0	12,7	+	3,5	19
2671072000	6,0	26,9	17,8	-	2,5	20,3
2671072699	6,0	26,9	17,8	-	2,5	20,3
2670085000	6,0	36,6	25,4	+	1,7	31,8
2670085699	6,0	36,6	25,4	+	1,7	31,8
2670090000	6,4	38,1	12,6	+	0,9	26,5
2670090699	6,4	38,1	12,6	+	0,9	26,5
2670100000	7,0	17,9	23,8	+	1,3	11,2
2670100699	7,0	17,9	23,8	+	1,3	11,2
2670110000	7,0	18,9	15,9	+	2,4	11,9
2670110699	7,0	18,9	15,9	+	2,4	11,9
2671075000	7,0	21,2	19	-	1,5	14
2671075699	7,0	21,2	19	-	1,5	14
2670125000	7,0	30,2	31,8	+	13,5	23,4
2670125699	7,0	30,2	31,8	+	13,5	23,4
2671080000	7,0	30,5	19	-	1,5	25,4
2671080699	7,0	30,5	19	-	1,5	25,4

Part no.	A	B	C	D	E	F
2670120000	7,0	32,0	19,3	+	1,3	22,9
2670120699	7,0	32,0	19,3	+	1,3	22,9
2670115000	7,0	33,3	15,2	+	2,5	22
2670115699	7,0	33,3	15,2	+	2,5	22
2670130000	8,0	16,8	12,7	+	3,3	12,7
2670130699	8,0	16,8	12,7	+	3,3	12,7

Part no.	A	B	C	D	E	F
2671085699	8,7	19,1	16	-	1,4	13
2671090000	10,0	20,8	25,4	-	2,9	14,4
2671090699	10,0	20,8	25,4	-	2,9	14,4
2671095000	10,0	28,2	21,8	-	1,5	20
2671095699	10,0	28,2	21,8	-	1,5	20

Drive fasteners | rivets | PineTreeClips - type 2



Applicable for higher bore hole tolerances.  
Suitable for blind holes or holes with and without screw threads.  
Fast assembly, generally no tools required.  
Please also have a look at our series 267, page 323.

Material: PA  
Colours:  
last digits 000 = natural  
last digits 699 = black

Part no.	A	B	C	D	E	F
3672010000	2,7	3,3	6,0	7,0	1,5	4,0
3672010699	2,7	3,3	6,0	7,0	1,5	4,0
3672015000	2,7	3,3	6,0	11,0	1,5	8,0
3672015699	2,7	3,3	6,0	11,0	1,5	8,0
3672020000	2,7	3,3	6,0	18,0	1,5	15,0
3672020699	2,7	3,3	6,0	18,0	1,5	15,0
3672030000	3,3	4,2	10,0	8,0	1,5	4,5
3672030699	3,3	4,2	10,0	8,0	1,5	4,5
3672040000	4,1	5,2	12,0	6,0	1,0	2,5
3672040699	4,1	5,2	12,0	6,0	1,0	2,5
3672045000	4,1	5,2	12,0	10,0	1,5	5,5
3672045699	4,1	5,2	12,0	10,0	1,5	5,5
3672050000	4,1	5,2	12,0	15,0	2,0	10,0
3672050699	4,1	5,2	12,0	15,0	2,0	10,0

Part no.	A	B	C	D	E	F
3672060000	5,6	6,4	13,0	12,0	2,0	7,0
3672060699	5,6	6,4	13,0	12,0	2,0	7,0
3672065000	5,6	6,4	13,0	20,0	1,5	15,0
3672065699	5,6	6,4	13,0	20,0	1,5	15,0
3672070000	5,6	6,4	13,0	32,0	1,0	27,0
3672070699	5,6	6,4	13,0	32,0	1,0	27,0
3672080000	5,9	7,2	17,0	11,0	2,0	5,5
3672080699	5,9	7,2	17,0	11,0	2,0	5,5
3672085000	5,9	7,2	17,0	15,0	1,0	10,0
3672085699	5,9	7,2	17,0	15,0	1,0	10,0
3672090000	5,9	7,2	17,0	24,0	2,0	19,0
3672090699	5,9	7,2	17,0	24,0	2,0	19,0
3672100000	6,8	8,3	13,0	14,0	1,5	9,0
3672100699	6,8	8,3	13,0	14,0	1,5	9,0

Drive fasteners | rivets | Snip&Snap rivets



Quick assembly without tools. Suitable for combining sheets, plates etc.

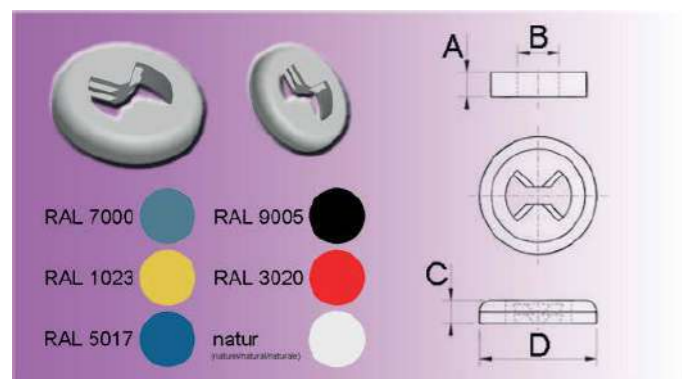
Material: PA 6  
Colours:  
last digits 000 = natural  
last digits 002 = grey ~RAL 7000  
last digits 087 = blue ~RAL 5017  
last digits 114 = black ~RAL 9005  
last digits 124 = red ~RAL 3020  
last digits 132 = yellow ~RAL 1023

Two parts are needed for every connection!  
For thin clamping width (from 0.9 mm) you have to use a snap-ring (page 326).

Additional information: Dimensions A 5.5 mm and part no. 0960610 = slotted head.  
You get the best clamping effect if the hole diameter matches dimension A.

Part no.	A	B	C - D	Part no.	A	B	C - D	Part no.	A	B	C - D
0960655000	5,5	5,4	5,7 - 7,3	0961355124	5,5	12,4	12,8 - 20,5	0960910087	7,0 - 7,2	8,5	8,9 - 12,9
0960655002	5,5	5,4	5,7 - 7,3	0961355132	5,5	12,4	12,8 - 20,5	0960910114	7,0 - 7,2	8,5	8,9 - 12,9
0960655087	5,5	5,4	5,7 - 7,3	0962055000	5,5	19,8	20,2 - 34,4	0960910124	7,0 - 7,2	8,5	8,9 - 12,9
0960655114	5,5	5,4	5,7 - 7,3	0962055002	5,5	19,8	20,2 - 34,4	0960910132	7,0 - 7,2	8,5	8,9 - 12,9
0960655124	5,5	5,4	5,7 - 7,3	0962055087	5,5	19,8	20,2 - 34,4	0961310000	7,0 - 7,2	12,4	12,8 - 20,5
0960655132	5,5	5,4	5,7 - 7,3	0962055114	5,5	19,8	20,2 - 34,4	0961310002	7,0 - 7,2	12,4	12,8 - 20,5
0960955000	5,5	8,5	8,9 - 12,9	0962055124	5,5	19,8	20,2 - 34,4	0961310087	7,0 - 7,2	12,4	12,8 - 20,5
0960955002	5,5	8,5	8,9 - 12,9	0962055132	5,5	19,8	20,2-34,4	0961310114	7,0 - 7,2	12,4	12,8 - 20,5
0960955087	5,5	8,5	8,9 - 12,9	0960610000	7,0 - 7,2	5,4	5,7 - 7,3	0961310124	7,0 - 7,2	12,4	12,8 - 20,5
0960955114	5,5	8,5	8,9 - 12,9	0960610002	7,0 - 7,2	5,4	5,7 - 7,3	0961310132	7,0 - 7,2	12,4	12,8 - 20,5
0960955124	5,5	8,5	8,9 - 12,9	0960610087	7,0 - 7,2	5,4	5,7 - 7,3	0962010000	7,0 - 7,2	19,8	20,2 - 34,4
0960955132	5,5	8,5	8,9 - 12,9	0960610114	7,0 - 7,2	5,4	5,7 - 7,3	0962010002	7,0 - 7,2	19,8	20,2 - 34,4
0961355000	5,5	12,4	12,8 - 20,5	0960610124	7,0 - 7,2	5,4	5,7 - 7,3	0962010087	7,0 - 7,2	19,8	20,2 - 34,4
0961355002	5,5	12,4	12,8 - 20,5	0960610132	7,0 - 7,2	5,4	5,7 - 7,3	0962010114	7,0 - 7,2	19,8	20,2 - 34,4
0961355087	5,5	12,4	12,8 - 20,5	0960910000	7,0 - 7,2	8,5	8,9 - 12,9	0962010124	7,0 - 7,2	19,8	20,2 - 34,4
0961355114	5,5	12,4	12,8 - 20,5	0960910002	7,0 - 7,2	8,5	8,9 - 12,9	0962010132	7,0 - 7,2	19,8	20,2 - 34,4

Drive fasteners | rivets | Snap rings



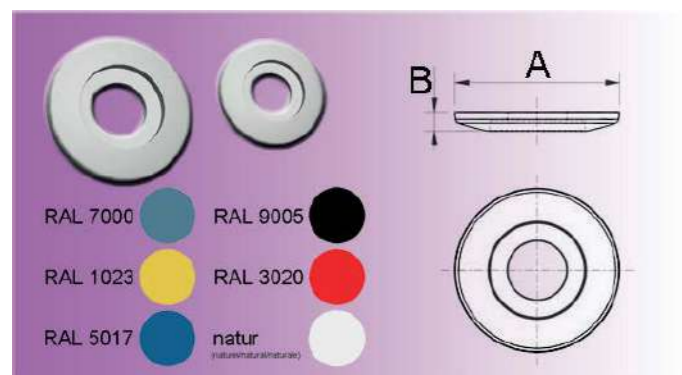
Specially designed for connections from 0.9 mm thickness. Snapping instead of screwing. Made for all lengths of Snip&Snap rivets with bore size 5.5 mm.

Material: PA 6  
Colours:  
last digits 000 = natural  
last digits 002 = grey ~RAL 7000  
last digits 087 = blue ~RAL 5017  
last digits 599 = black ~RAL 9005  
last digits 124 = red ~RAL3020  
last digits 132 = yellow ~RAL1023

Part no.	A	B	C	D
0960010000	0,9	5,5	2,0	10,0
0960010002	0,9	5,5	2,0	10,0
09600100124	0,9	5,5	2,0	10,0

Part no.	A	B	C	D
0960010087	0,9	5,5	2,0	10,0
0960010132	0,9	5,5	2,0	10,0
0960010599	0,9	5,5	2,0	10,0

Drive fasteners | rivets | Washers for Snip&Snap rivets



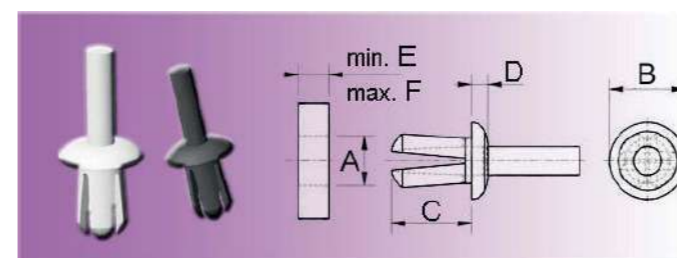
Provide a larger bearing surface for Snip&Snap rivets (bore diameter 5.5 mm). Different colour combinations possible. Also suitable for pivot points.

Material: PA 6  
Colours:  
last digits 000 = natural  
last digits 002 = grey ~RAL 7000  
last digits 087 = blue ~RAL5017  
last digits 114 = black ~RAL 9005  
last digits 124 = red ~RAL3020  
last digits 132 = yellow ~RAL1023

Part no.	A	B
0960018000	18,2	2,1
0960018002	18,2	2,1

Part no.	A	B
0960018087	18,2	2,1
0960018114	18,2	2,1

Part no.	A	B
0960018124	18,2	2,1
0960018132	18,2	2,1



For a quick rivet connection with blind assembly. By assembling larger quantities we recommend to use tool type 112, page 328 (see dimension G).

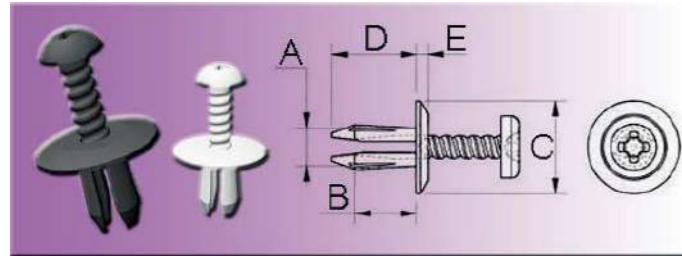
Material: PA 6.6 / POM / PA 12 / PA 6  
Colours:  
last digits 000 = natural  
last digits 599 oder 699 = black

Further types on written request.

Part no.	A	B	C	D	E-F	G
0930110000	3,0	5,0	5,7	1,3	1,0-4,0	3,0
0930110599	3,0	5,0	5,7	1,3	1,0-4,0	3,0
0930000000	3-3,65	4,8	6,2	1,3	0,8-4,5	3,0
0930000699	3-3,65	4,8	6,2	1,3	0,8-4,5	3,0
0930001000	3,3	4,8	5,0	1,3	0,5-3,5	3,0
0930120000	3,5	6,0	6,8	1,3	1,0-5,0	3,0
0930120599	3,5	6,0	6,8	1,3	1,0-5,0	3,0
0930002000	3,6	8,0	7,0	2,0	2,0-5,5	3,0
0930002699	3,6	8,0	7,0	2,0	2,0-5,5	3,0
0930130000	4,0	6,5	7,9	1,5	1,5-6,0	3,0
0930130599	4,0	6,5	7,9	1,5	1,5-6,0	3,0
0930004000	4,0	6,5	8,0	1,5	4,0-6,5	3,0
0930004699	4,0	6,5	8,0	1,5	4,0-6,5	3,0
0930005000	<i>no longer available</i>					
0930005699	4,0	7,5	8,0	1,5	4,0-6,5	3,0
0930131000	4-4,2	8,0	8,5	1,0	2,0-6,0	-
0930131699	4-4,2	8,0	8,5	1,0	2,0-6,0	-
0930023000	<i>no longer available</i>					
0930023699	<i>no longer available</i>					
0930008000	4,8	7,1	11,0	1,2	4,0-8,7	4,0
0930008699	<i>no longer available</i>					
0931010000	<i>no longer available</i>					
0931010699	4,8	7,15	7,5	1,9	1,5-5,0	-
0932010000	4,8	8,7	7,4	2,5	1,6-4,7	-
0930009699	4,9	12,0	15,0	2,0	8,0-11,0	4,0
0930017699	4,95-5,35	9,0	7,5	2,0	1,5-5	-
0930014000	4,95-5,55	10,0	11,5	2,0	3,0-8,0	-
0930014699	4,95-5,55	10,0	11,5	2,0	3,0-8,0	-
0930140000	5,0	8,5	9,2	1,8	1,5-7,0	4,0

Part no.	A	B	C	D	E-F	G
0930140599	5,0	8,5	9,2	1,8	1,5-7,0	4,0
0930141000	5-5,2	8,5	6,0	2,0	0,75-3	-
0930141699	5-5,2	8,5	6,0	2,0	0,75-3	-
0930142000	5-5,2	10,0	11,4	2,0	2,5-8,0	-
0930142699	5-5,2	10,0	11,4	2,0	2,5-8,0	-
0930012000	5,5	16,0	11,0	2,0	2,5-7,0	4,0
0930012699	5,5	16,0	11,0	2,0	2,5-7,0	4,0
0930150000	6,0	10,0	10,5	2,2	2,0-8,0	4,0
0930150599	6,0	10,0	10,5	2,2	2,0-8,0	4,0
0930024699	6,0	11,0	10,0	2,0	3,0-7,0	4,0
0930013699	6,0	16,0	14,5	2,5	7,5-8,6	-
0930152699	6-6,2	16,0	14,5	2,5	7,5-8,6	-
0930151699	6,2-6,5	10,0	12,0	2,0	1,5-6,5	-
0930026000	6,4-7,0	11,0	12,3	2,0	5,5-9,5	-
0930026699	6,4-7,0	11,0	12,3	2,0	5,5-9,5	-
0930160000	7,0	12,0	11,8	2,6	2,5-9,0	-
0930160599	7,0	12,0	11,8	2,6	2,5-9,0	-
0930018699	7,1	18,0	18,0	2,5	4,0-8,0	4,0
0930021000	7,9	16,0	12,0	2,0	4,0-7,0	4,0
0930021699	7,9	16,0	12,0	2,0	4,0-7,0	4,0
0930027000	7,9-8,7	16,0	12,0	2,0	4,0-7,0	-
0930027699	7,9-8,7	16,0	12,0	2,0	4,0-7,0	-
0930170000	8,0	13,5	13,0	3,0	3,0-10,0	-
0930170599	8,0	13,5	13,0	3,0	3,0-10,0	-
0930019699	8,0	18,0	10,0	2,5	4,5-6,0	4,0
0930171699	8-8,4	22,0	13,0	3,0	4,0-8,0	-
0930190000	8-8,6	13,0	15,0	3,0	5,5-10	-
0930190699	8-8,6	13,0	15,0	3,0	5,5-10	-

Drive fasteners | rivets | Screw rivets



For a fast and strong connection. Same assembly as for push rivets; can, however, be removed like a screw for maintenance purposes and also be reused. Variable rivet thickness absorbs vibrations.

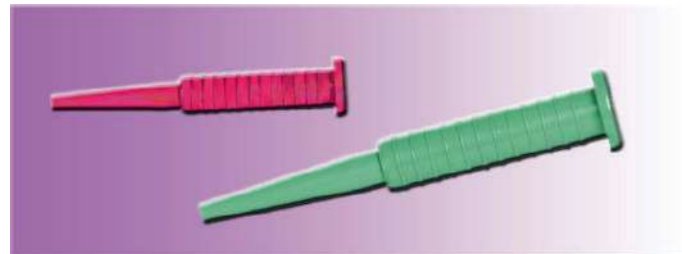
Material: PA 6.6  
Colours:  
without last digits = black  
last digits 000 = natural

Further types on written request.

Part no.	A	B	C	D	E
1131050	5,0	2,0 - 7,0	12,5	9,6	1,2
1131050000	5,0	2,0 - 7,0	12,5	9,6	1,2
1130001	5,0	3,75 - 6,0	12,0	11,0	1,5
1131060	6,0	2,0 - 8,0	15,0	10,7	1,3
1131060000	6,0	2,0 - 8,0	15,0	10,7	1,3
1130002	6,0	4,0 - 6,0	16,0	11,0	1,5

Part no.	A	B	C	D	E
1131070	7,0	3,0 - 9,0	17,5	12,1	1,4
1131070000	7,0	3,0 - 9,0	17,5	12,1	1,4
1131080	8,0	3,0 - 10,0	20,0	13,5	1,5
1131080000	8,0	3,0 - 10,0	20,0	13,5	1,5
1130003	8,0	3,0 - 10,0	20,0	14,0	1,3

Drive fasteners | rivets | Rivetting tool



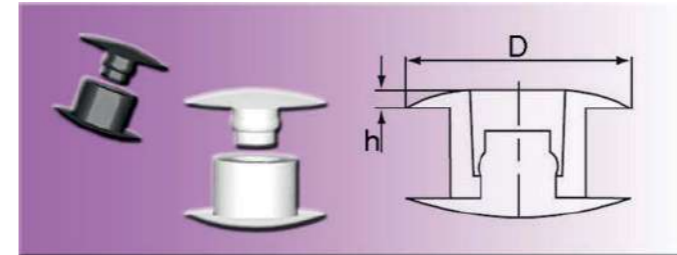
Convenient tool to fasten rivets, type 093. By using this tool the pin of the push rivet is mounted very reliably which speeds up the assembly time and avoids product failure.

G = dimension G from series 093, page 327.

Application:  
Attach the guide bushing on the rivet pin.  
Push the tool through completely.  
Thereby the pin is driven into the rivet.

Part no.	G (093)	Part no.	G (093)	Part no.	G (093)
1121003	3,0	1121004	3,5	1121006	4,0

Drive fasteners | rivets | Push clips



∅ = mounting hole diameter  
S = max. sheet thickness

Material: PA 6.6  
Colours:  
last digits 500 = white  
last digits 599 = black

Note: The order quantity refers to the connections.  
e.g. order quantity = 500 pcs., you get 500 clips & 500 counter pieces --> 500 connections

Part no.	∅	S	D	h
0800602500	6,0	2,2	10,0	0,8
0800602599	6,0	2,2	10,0	0,8
0800603500	6,0	3,2	10,0	0,8
0800603599	6,0	3,2	10,0	0,8

Part no.	∅	S	D	h
0800604500	6,0	4,2	10,0	0,8
0800604599	6,0	4,2	10,0	0,8
0800605500	6,0	5,2	10,0	0,8
0800605599	6,0	5,2	10,0	0,8

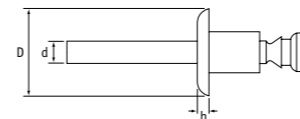
Blind rivets

Blind Rivets

SR 1911

Natural Nylon

- Good electrical insulation
- Vibration, abrasion and corrosion resistant



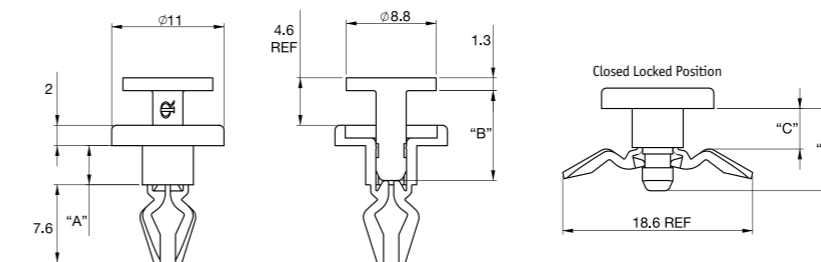
Blind Rivet Gun

- Suitable for all blind rivets in SR 1911
- Part number 495141



Part Number	Nominal Panel Hole Size (mm)	Dimensions (mm)			Standard Pack Quantity	
		Panel Thickness	D	h		
497526	4.1	0.5 - 5.0	9.0	1.2	2.5	1000
497527	4.1	5.0 - 9.0	9.0	1.2	2.5	1000
497528	5.1	0.5 - 5.0	11.0	1.2	3.0	1000
497529	5.1	5.0 - 9.0	11.0	1.5	3.0	1000
497530	6.1	0.5 - 5.0	13.0	1.5	3.5	1000
497531	6.1	5.0 - 9.0	13.0	1.5	3.5	1000

Folding Leg Rivets



Folding Leg Rivets

SR 2310

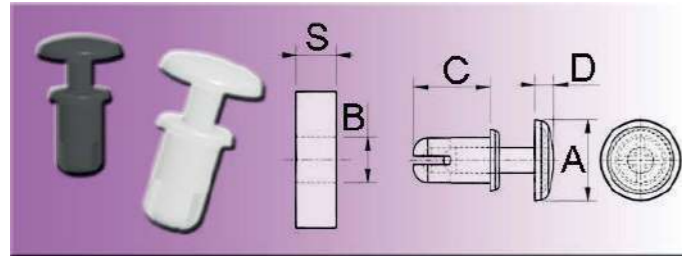
RFL

UL94 V2 Nylon 6/6, RMS-01



Part Number		Dimensions (mm)				Total Panel Thickness	Mounting Hole ∅	Standard Pack Quantity
Natural	Black	"A"	"B"	"C"	"D"			
RFL-1	RFL-1BK	3	8.1	2.7	7.4	2.85 - 3.85	5.5	1000
RFL-2	RFL-2BK	3.7	8.8	3.3	8.1	3.55 - 4.55	5.5	1000

Drive fasteners | rivets | Drive fasteners



These rivets can be brought into the right position with one turn. No tools required! Mountable by thumb pressure.

Material: PA 6, UL 94 V-2  
Colours:  
last digits 600 = white  
last digits 699 = black

Further types on written request.

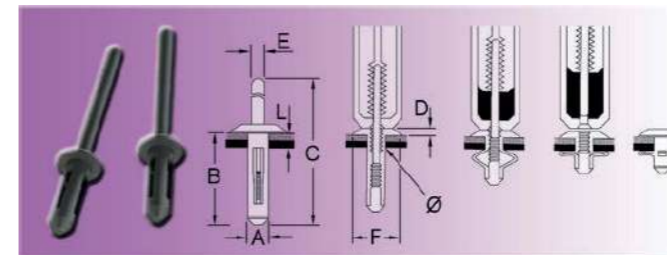
Part no.	A	B	C	D	S
0940010600	4,2	2,1	2,4	1,2	0,6 - 1,2
0940010699	4,2	2,1	2,4	1,2	0,6 - 1,2
0940015600	4,2	2,1	3,2	1,2	1,3 - 2,0
0940015699	4,2	2,1	3,2	1,2	1,3 - 2,0
0940020600	4,2	2,1	4,0	1,2	2,1 - 2,8
0940020699	4,2	2,1	4,0	1,2	2,1 - 2,8
0940025600	4,2	2,1	4,8	1,2	2,9 - 3,6
0940025699	4,2	2,1	4,8	1,2	2,9 - 3,6
0940030600	4,2	2,1	6,4	1,2	3,7 - 4,4
0940030699	4,2	2,1	6,4	1,2	3,7 - 4,4
0940050600	5,0	2,7	3,2	1,4	1,0 - 2,0
0940050699	5,0	2,7	3,2	1,4	1,0 - 2,0
0940055600	5,0	2,7	4,2	1,4	2,1 - 3,0
0940055699	5,0	2,7	4,2	1,4	2,1 - 3,0
0940060600	5,0	2,7	4,8	1,4	2,7 - 3,6
0940060699	5,0	2,7	4,8	1,4	2,7 - 3,6
0940065600	5,0	2,7	5,5	1,4	3,4 - 4,3
0940065699	5,0	2,7	5,5	1,4	3,4 - 4,3
0940110600	6,2	3,1	3,7	1,6	1,0 - 2,0
0940110699	6,2	3,1	3,7	1,6	1,0 - 2,0
0940120600	6,2	3,1	4,5	1,6	2,0 - 3,0
0940120699	6,2	3,1	4,5	1,6	2,0 - 3,0
0940130600	6,2	3,1	5,5	1,6	3,0 - 4,0
0940130699	6,2	3,1	5,5	1,6	3,0 - 4,0
0940210600	6,2	3,6	3,7	1,6	1,2 - 2,1
0940210699	6,2	3,6	3,7	1,6	1,2 - 2,1
0940220600	6,2	3,6	4,6	1,6	2,2 - 3,1
0940220699	6,2	3,6	4,6	1,6	2,2 - 3,1
0940240600	6,2	3,6	5,5	1,6	3,2 - 4,1
0940240699	6,2	3,6	5,5	1,6	3,2 - 4,1
0940250600	6,2	3,6	6,0	1,6	3,7 - 4,6
0940250699	6,2	3,6	6,0	1,6	3,7 - 4,6
0940260600	6,2	3,6	7,1	1,6	4,7 - 5,6

Part no.	A	B	C	D	S
0940260699	6,2	3,6	7,1	1,6	4,7 - 5,6
0940135600	6,4	3,1	6,5	1,6	4,0 - 5,0
0940135699	6,4	3,1	6,5	1,6	4,0 - 5,0
0940140600	6,4	3,1	7,5	1,6	5,0 - 6,0
0940140699	6,4	3,1	7,5	1,6	5,0 - 6,0
0940145600	6,4	3,1	8,0	1,6	5,5 - 6,5
0940145699	6,4	3,1	8,0	1,6	5,5 - 6,5
0940150600	6,4	3,1	9,0	1,6	6,5 - 7,5
0940150699	6,4	3,1	9,0	1,6	6,5 - 7,5
0940155600	6,4	3,1	10,0	1,0	7,5 - 8,5
0940155699	6,4	3,1	10,0	1,0	7,5 - 8,5
0940230600	6,4	3,6	5,0	1,6	2,7 - 3,6
0940230699	6,4	3,6	5,0	1,6	2,7 - 3,6
0940265600	6,4	3,6	8,0	1,6	5,7 - 6,6
0940265699	6,4	3,6	8,0	1,6	5,7 - 6,6
0940310600	7,8	4,1	5,0	1,8	2,5 - 3,5
0940310699	7,8	4,1	5,0	1,8	2,5 - 3,5
0940320600	7,8	4,1	6,0	1,8	3,5 - 4,5
0940320699	7,8	4,1	6,0	1,8	3,5 - 4,5
0940330600	8,0	4,1	7,0	1,8	4,5 - 5,5
0940330699	8,0	4,1	7,0	1,8	4,5 - 5,5
0940340600	8,0	4,1	8,0	1,8	5,5 - 6,5
0940340699	8,0	4,1	8,0	1,8	5,5 - 6,5
0940350600	8,0	4,1	10,0	2,2	7,5 - 8,5
0940350699	8,0	4,1	10,0	2,2	7,5 - 8,5
0940410600	9,0	5,1	4,5	2,2	1,5 - 2,5
0940410699	9,0	5,1	4,5	2,2	1,5 - 2,5
0940420600	9,0	5,1	5,5	2,2	2,5 - 3,5
0940420699	9,0	5,1	5,5	2,2	2,5 - 3,5
0940430600	9,0	5,1	6,5	2,2	3,5 - 4,5
0940430699	9,0	5,1	6,5	2,2	3,5 - 4,5
0940440600	9,0	5,1	7,5	2,2	4,5 - 5,5
0940440699	9,0	5,1	7,5	2,2	4,5 - 5,5

Part no.	A	B	C	D	S
0940450600	9,0	5,1	8,5	2,2	5,5 - 6,5
0940450699	9,0	5,1	8,5	2,2	5,5 - 6,5
0940455600	9,0	5,1	9,5	2,2	6,5 - 7,5
0940455699	9,0	5,1	9,5	2,2	6,5 - 7,5
0940460600	9,0	5,1	10,0	2,0	7,5 - 8,5

Part no.	A	B	C	D	S
0940460699	9,0	5,1	10,0	2,0	7,5 - 8,5
0940510600	12,0	6,1	6,0	2,5	2,5 - 4,0
0940510699	12,0	6,1	6,0	2,5	2,5 - 4,0
0940520600	12,0	6,1	8,0	3,0	4,0 - 5,5
0940520699	12,0	6,1	8,0	3,0	4,0 - 5,5

Drive fasteners | rivets | R-Lok / plastic rivets

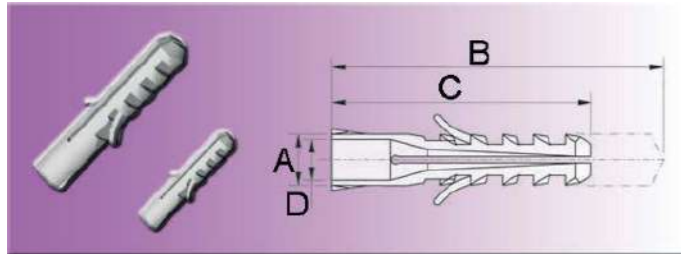


Mounting with standard tools.

Material: PA 6.6 / POM  
Colour: black

Part no.	Ø	L	A	B	C	D	E	F
1540001	4,0	1,5 - 4,5	3,9	18,5	48,0	2,5	2,4	8,0
1540004	5,0	6,0 - 10,0	4,8	25,0	51,0	1,8	2,9	12,0
1540002	5,0	1,5 - 4,5	4,9	18,5	48,0	3,3	2,9	12,0
1540003	5,0	3,0 - 6,0	4,9	20,0	48,0	1,8	2,9	12,0

Studs | Snap-in nuts | Wall studs



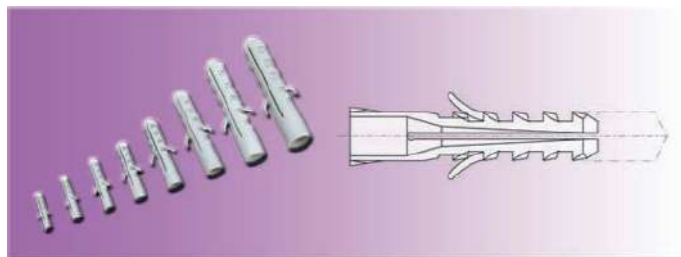
Central screw guidance in the inner body, very durable.

Material: PA 6  
Colour: grey

Part no.	A	B	C	D
1080004	4,0	25,0	20,0	2,0-3,0
1080005	5,0	32,0	25,0	2,5-4,0
1080006	6,0	40,0	30,0	3,5-4,0
1080008	8,0	55,0	40,0	4,5-6,0

Part no.	A	B	C	D
1080010	10,0	70,0	50,0	6,0-8,0
1080012	12,0	80,0	60,0	8,0-10,0
1080014	14,0	95,0	75,0	10,0-12,0

Studs | Snap-in nuts | Wall stud selection



Central screw guidance in the inner body, very durable.

Material: PA 6  
Colour: grey

Part no.	X1	X2	X3
108-51	50 x 4 mm	50 x 5 mm	-

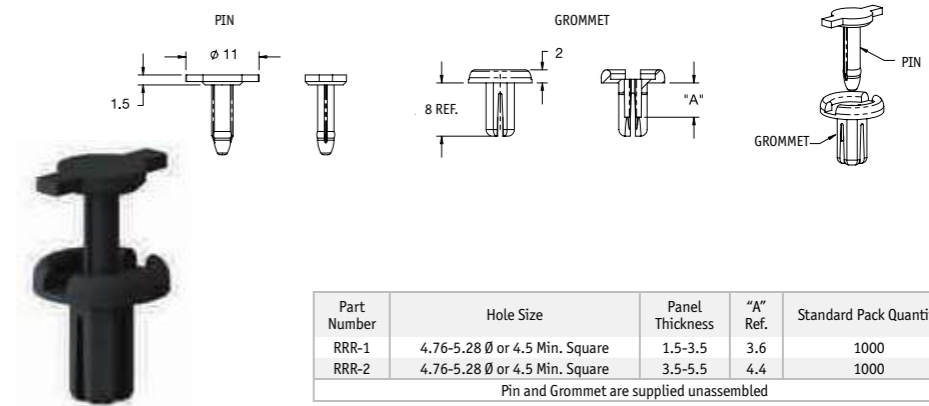
Part no.	X1	X2	X3
108-52	50 x 6 mm	50 x 8 mm	-

Part no.	X1	X2	X3
108-53	20 x 10 mm	15 x 12 mm	15 x 14 mm

RIVETS AND PANEL FASTENERS

Removable Rivet

SR 2306  
RRR  
Black Nylon 66/6, RMS-103

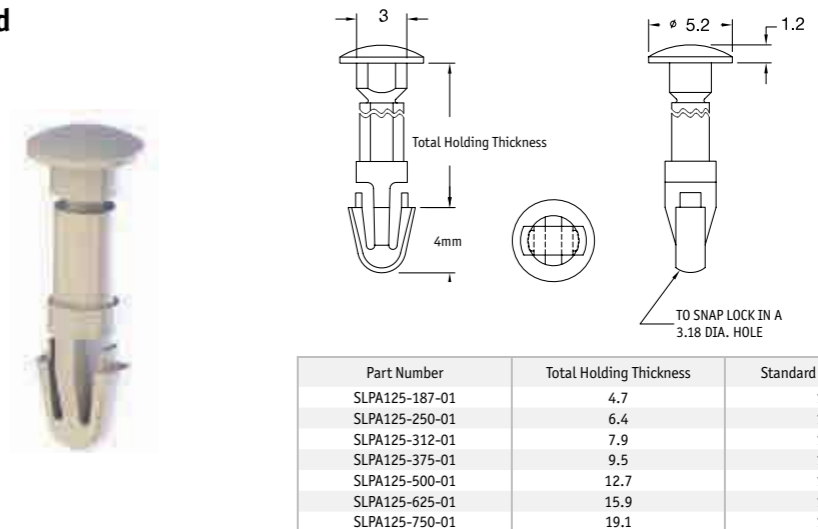


Part Number	Hole Size	Panel Thickness	"A" Ref.	Standard Pack Quantity
RRR-1	4.76-5.28 Ø or 4.5 Min. Square	1.5-3.5	3.6	1000
RRR-2	4.76-5.28 Ø or 4.5 Min. Square	3.5-5.5	4.4	1000

Pin and Grommet are supplied unassembled

Snap Lock Pin with Arrowhead

SR 2307  
SLPA  
Natural Nylon 6/6, RMS-01



Part Number	Total Holding Thickness	Standard Pack Quantity
SLPA125-187-01	4.7	1000
SLPA125-250-01	6.4	1000
SLPA125-312-01	7.9	1000
SLPA125-375-01	9.5	1000
SLPA125-500-01	12.7	1000
SLPA125-625-01	15.9	1000
SLPA125-750-01	19.1	1000

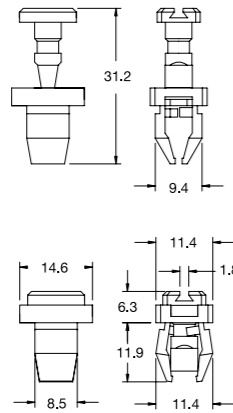
**TRY BEFORE YOU BUY - REQUEST YOUR FREE SAMPLES TODAY**

Call **+386 4 / 510 53 60** or visit [www.metalika-kacin.com](http://www.metalika-kacin.com)

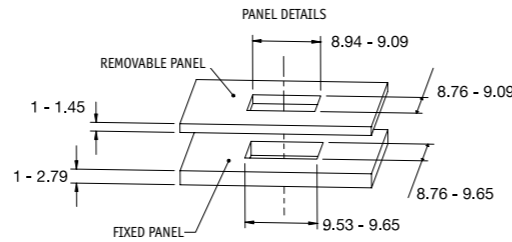
RIVETS AND PANEL FASTENERS

**Quarter Turn Panel Fastener**

SR 2308  
FQT  
Acetal, RMS-14



- Easily installed by driving the plunger into the grommet with a hammer locking the two panels together
- Panels are easily separated using a screwdriver to rotate the plunger a quarter turn



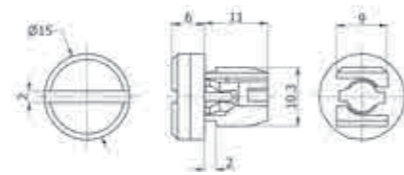
Part Number	Colour	Standard Pack
FQT-1	White	1000/Bag
FQT-1BK	Black	1000/Bag

**Quarter Turn Latches**

SR 1917  
Nylon



- Turn the quarter turn fastener to both lock and release the fastener
- Supplied in pre-assembled format for convenience
- Ideal for when it is impossible to fit a receptacle in the frame work
- Available in both black and natural

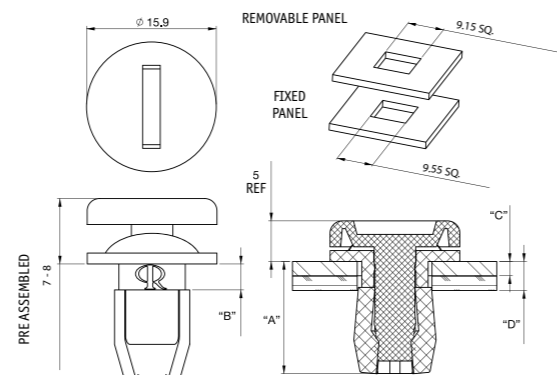


Part Number	Colour		Dimensions (mm)				Standard Pack Quantity	
	Black	Natural	Hole Size (mm)	Panel Thickness	Head Diameter	Head Height		Length
495245	Black	Natural	9.0 x 9.1-9.3	1.6-5.0	15.0	6.0	11.0	1000

**Quarter Turn Panel Fastener**

SR 2309  
QTPF  
Black UL94 HB Acetal, RMS-14

- Using a flat-head screwdriver or coin, a quarter-turn releases the bottom panel while retaining the fastener in the removable panel



Part Number	Dimensions (mm)		Removable Panel Thickness "C"	Total Panel Thickness "D"	Standard Pack Quantity
	"A"	"B"			
QTPF-1BK	12.3	1.7	0.5-1.6	2-5	1000
QTPF-2BK	13.7	3.1	1.8-3.1	4-6.2	1000

RIVETS AND PANEL FASTENERS

**Quarter Turn Fasteners**

SR 6268  
Acetal Co-Polymer (POM)  
• Fast assembly fastener  
• Locks and unlocks by quarter turning head  
• Wide range of panel depth and mounting hole sizes  
• Permanent mounting solution  
• Cross head quarter turn fasteners

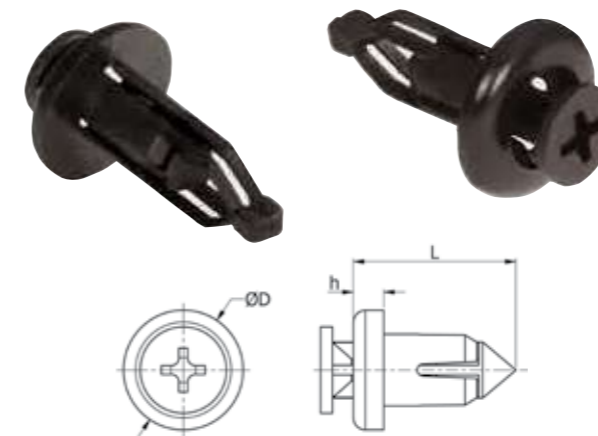


Type 1      Type 2      Type 3

Part Number	Dimensions (mm)			Type	Standard Pack Quantity
	Head Diameter	Hole Diameter	Panel Thickness		
551651	20	7.5	4.5-7	1	1000
551652	19	9	4-7.5	2	1000
551653	15	9	6-8.2	2	1000
551654	14	6	4.5-6	2	1000
551655	16	7	4.5-6	3	1000
551656	20	8	3-5-6	3	1000
551657	16	6	4.5-6	1	1000

**Quarter Turn Rivets**

SR 1915  
Black POM  
• Quick release fastener  
• Suitable for security panels and components that need to be replaced quickly



Part Number	Dimensions (mm)					Standard Pack Quantity
	Hole Size	Panel Range	D	h	L	
495234	6.0	3.0 - 5.0	17.9	2.3	16.2	1000
495235	6.0	4.5 - 6.0	14.2	2.0	16.0	1000
495236	6.0	4.5 - 6.0	16.0	2.3	12.1	1000
495237	7.0	2.5 - 5.0	16.0	2.3	14.2	1000
495239	8.0	3.5 - 6.0	19.9	2.9	18.3	1000
495240	9.0	4.0 - 7.5	18.7	3.6	25.4	1000
495241	9.0	6.0 - 8.2	15.0	3.8	20.4	1000
495242	7.0-9.0	4.5 - 6.5	15.7	3.0	15.5	1000

**Screw Rivet Fasteners**

SR 6269  
Polyamide PA6  
• Large Hole Diameter  
• Easily removed by unscrewing  
• Push fit install  
• High retention force  
• Images for reference purposes only. Please review full drawing before purchase



Type 1      Type 2

Part Number	Head Style	Dimensions (mm)			Type	Standard Pack Quantity
		Head Diameter	Hole Diameter	Panel Thickness		
551658	Cross Head. Screw Rivet	21.5	10.6	<14	1	1000
551659	Cross Head. Screw Rivet	16.5	9.8	<10.5	2	1000

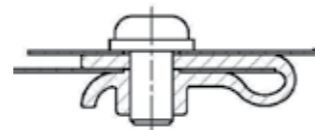
## RIVETS AND PANEL FASTENERS

### Sealed and Panel Edge Grommet Nuts

SR 6267

Polyamide

- Edge mounted U-Shaped grommet nut
- Slides on to the sheet material
- Alternative solution to threaded inserts
- Can be used as an alternative to a clinch fastener
- Images for reference purposes only. Please review full drawing before purchase



Type 1



Type 2

Part Number	Mounting Style	Dimensions (mm)						Type	Standard Pack Quantity
		Mounting Screw	Panel Thickness 1	Panel Thickness 2	Length	Width	Mounting Hole Ø		
551634	Panel Edge Mounting	M6	0.5-1	-	29.0	19.0	10.0	1	1000
551635	Edge to Edge Panel Corner Mounting	M5	1.3	2.2	33.0	19.0	9.0	2	1000
551636	Edge to Edge Panel Corner Mounting	M6	1.4	1.8	23.0	31.5	9.0	2	1000
551637	Panel Edge Mounting	M5	3	-	27.0	18.0	9.0	1	1000
551638	Panel Edge Mounting	M6	1.2	-	20.5	20.0	9.0	1	1000
551639	Edge to Edge Panel Mount	M6	1.2	2.1	32.5	31.5	9.0	2	1000

Polyamide

- Panel jointing grommet nuts
- Provides a threaded mounting for fixing two panels together
- Sealed to prevent moisture and material entering
- Images for reference purposes only. Please review full drawing before purchase



Type 3



Type 4

Part Number	Head Style	Dimensions (mm)					Type	Standard Pack Quantity
		Mount Screw	Panel Thickness	Overall Length	Grommet Head Size	Mounting Hole Square		
551640	Round Head Sealed Grommet Nut	M2	1.3mm	17.5	13.5	6 x 6	3	1000
551641	Round Head Sealed Grommet Nut	M5	2mm	19.0	16.5	7.5 x 7.5	3	1000
551642	Square Head Sealed Grommet Nut	M4	1-3mm	23.5	16.8 x 6.8	7.5 x 7.5	4	1000
551643	Round Head Sealed Grommet Nut	M6	1.5mm	16.0	16.0	7.5 x 7.5	3	1000
551644	Round Head Sealed Grommet Nut	M4	1.0mm	17.0	15.0	7.5 x 7.5	3	1000
551645	Round Head Sealed Grommet Nut	M6	1.0mm	18.0	18.0	7.5 x 7.5	3	1000
551646	Round Head Sealed Grommet Nut	M6	1.7mm	18.0	12.5	6.5 x 6.5	3	1000
551647	Round Head Sealed Grommet Nut	M3	1.9mm	12.0	14.0	6 x 6	3	1000
551648	Square Head Sealed Grommet Nut	M3	3.3mm	13.0	10 x 10	6 x 6	4	1000
551649	Round Head Sealed Grommet Nut	M5	1.35mm	16.5	16.0	7 x 7	3	1000
551650	Square Head Sealed Grommet Nut	M4	1-2.8mm	17.0	16.5 x 16.5	7 x 7	4	1000

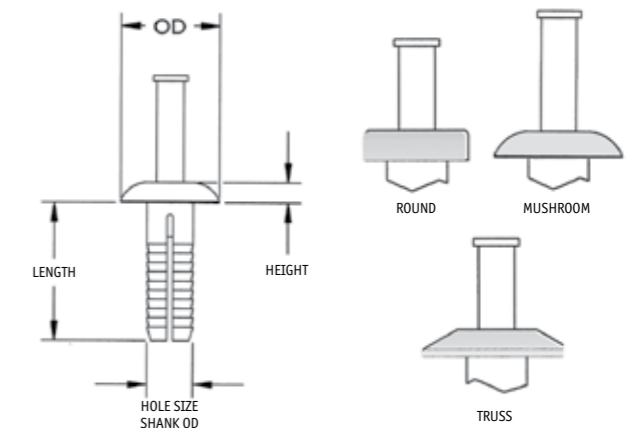
## RIVETS AND PANEL FASTENERS

### Anchor Rivets

SR K-0010

Body: Modified PA, Pin: Zinc Plated Steel

- Two piece anchor rivets are versatile, inexpensive and vibration resistant blind fasteners
- Quick and easy to install
- High strength
- Develops high pull-out force
- Thermal and electrical insulating
- Corrosion resistant



Part Number	Dimensions (mm)					Standard Pack Quantity
	Head Style	Hole Size	Length	OD	Height	
61ASM18075	Mushroom	4.76	19.05	14.28	2.79	1000
61ASM18100	Mushroom	4.76	25.4	14.28	2.79	1000
61ASM25075	Mushroom	6.35	19.05	14.28	2.79	1000
61ASM25100	Mushroom	6.35	25.4	14.28	2.79	1000
61ASM25150	Mushroom	6.35	38.1	14.28	2.79	1000
61ASR18075	Round	4.76	19.05	11.11	3.18	1000
61ASR18100	Round	4.76	25.4	11.11	3.18	1000
61ASR25075	Round	6.35	19.05	11.11	3.18	1000
61ASR25100	Round	6.35	25.4	11.11	3.18	1000
61ASR25150	Round	6.35	38.1	11.11	3.18	1000
61AST18075	Truss	4.76	19.05	15.88	2.79	1000
61AST18100	Truss	4.76	25.4	15.88	2.79	1000
61AST25075	Truss	6.35	19.05	15.88	2.79	1000
61AST25100	Truss	6.35	25.4	15.88	2.79	1000
61AST25150	Truss	6.35	38.1	15.88	2.79	1000

### Screw Rivets

SR 1962

Nylon 6.6



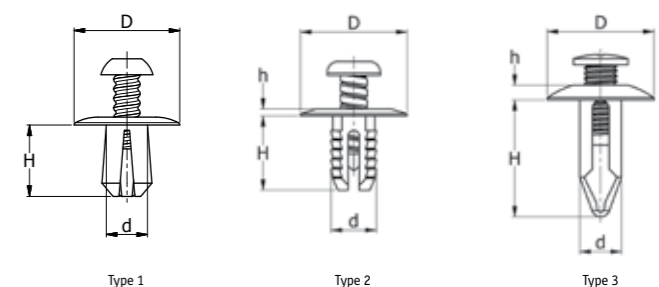
Type 1



Type 2



Type 3



Part Number	Colour	Dimensions (mm)				Panel Thickness Range	Type	Standard Pack Quantity
		D	d	H	h			
USR-1131	Black	12.0	5.0	11.0	3.9	1.5-6.0	1	1000
113000169902	Black	12.0	5.0	11.0	1.5	4.0-7.0	1	250
113105000002	Natural	12.5	5.0	9.6	1.2	2.0-7.0	1	250
1131050059902	Black	12.5	5.0	9.6	1.2	2.0-7.0	1	250
113106000002	Natural	15.0	6.0	10.7	1.3	2.0-8.0	1	250
1131060059902	Black	15.0	6.0	10.7	1.3	2.0-8.0	1	250
USR-1132	Black	16.0	6.0	11.0	3.9	1.5-6.0	1	1000
113000269902	Black	16.0	6.0	11.0	1.5	4.0-7.0	1	250
USR-64125	Black	15.1	6.4	12.7	3.0	3.2-4.4	1	500
113107000002	Natural	17.5	7.0	12.1	1.4	3.0-9.0	1	250
1131070059902	Black	17.5	7.0	12.1	1.4	3.0-9.0	1	250
113108000002	Natural	20.0	8.0	13.5	1.5	3.0-10.0	1	250
1131080059902	Black	20.0	8.0	13.5	1.5	3.0-10.0	1	250
113000369902	Black	20.0	8.0	14.0	1.5	3.0-10.0	2	250
USR-1133	Black	20.0	8.0	14.0	4.0	3.0-10.0	2	1000
USR-1	Black	20.0	8.0	22.0	3.6	7.0-8.0	3	1000



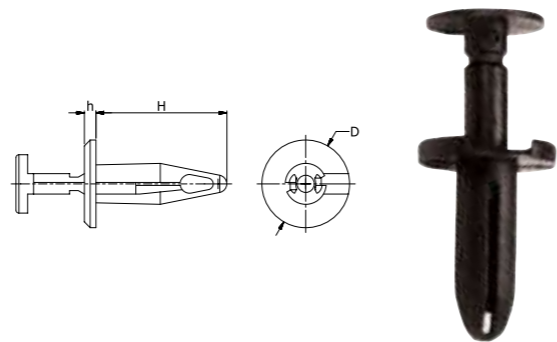
RIVETS AND PANEL FASTENERS

Push Lock Rivets

SR 1912  
Black Nylon 6

Part Number	Dimensions (mm)					Standard Pack Quantity
	Hole Size	Panel Range	D	h	H	
495201	5.0	1.5 - 4.6	7.2	1.0	11.4	1000
495202	6.3	4.0 - 7.6	18.0	2.5	17.3	1000
495203	6.3	2.5 - 8.9	25.4	2.5	22.5	1000
495204	6.3	2.5 - 8.9	15.0	2.7	18.5	1000
495205	6.3	1.5 - 7.6	17.4	2.0	20.4	1000
495206	6.5	2.5 - 8.9	15.0	2.0	22.4	1000
495207	7.0	12.0 - 15.0	25.4	2.5	27.0	1000
495208	7.0	9.0 - 13.0	18.0	2.5	23.0	1000
495209	8.0	3.0 - 8.0	20.0	2.7	21.0	1000
495210	8.0	3.0 - 8.0	15.0	2.6	22.0	1000
495211	8.0	4.0 - 8.0	18.0	2.9	23.0	1000
495212	8.0	12.0 - 16.0	15.0	3.0	29.0	1000
495213	9.0	3.0 - 7.0	16.0	2.6	20.0	1000
495214	9.5	0.9 - 4.8	25.0	2.4	25.2	1000
495215	9.5	3.5 - 7.0	17.9	2.5	23.0	1000
495216	10.0	6.0 - 10.0	20.0	3.7	26.7	1000
495217	11.5	29.0 - 31.0	30.0	2.5	50.0	1000

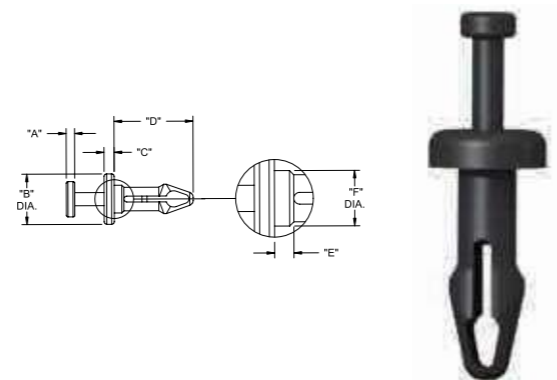
- Quick and easy to install
- Closed end feature acts as a self-aligning mechanism
- Double locking construction prevents the pin from disengaging during shipment or assembly



Mini Tough Snap Rivets

SR 2311  
TRM  
Black UL94 V2 Heat Stabilized Nylon 6/6, RMS-47

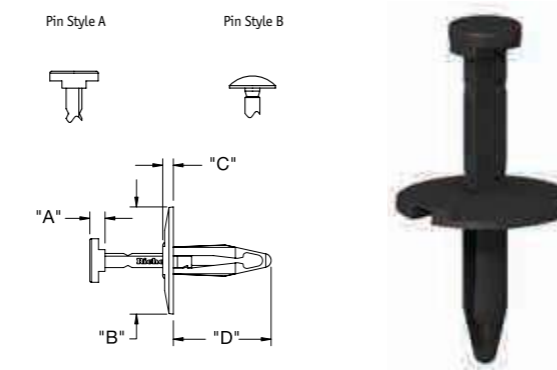
Part Number	Hole Ø	Panel Thickness	Dimensions (mm)						Standard Pack Quantity
			"A"	"B" Ø	"C"	"D"	"E" Ref.	"F" Ref.	
TRM-1	2.5 - 2.6	4.1 - 4.6	1	4.8	1.5	8.8	-	-	1000
TRM-2	2.7 - 2.8	2 - 2.7	1.3	5.5	1.5	7.6	-	-	1000
TRM-3	3.1 - 3.3	2.7 - 3.3	1.3	5.5	1.5	8.1	-	-	1000
TRM-4	3.1 - 3.3	3.3 - 3.9	1.3	5.5	1.5	7.6	-	-	1000
TRM-5	3.1 - 3.3	3.9 - 4.6	1.3	5.5	1.5	9.4	-	-	1000
TRM-6	3.1 - 3.3	6.1 - 6.7	1.3	5.5	1.5	11.6	-	-	1000
TRM-7	3.7 - 3.9	6.7 - 7.4	1.3	7.6	1.5	11.9	1.1	4.2	1000



Tough Snap Rivets

SR 2312  
TR  
Black UL94 HB Impact Modified Nylon 6/6, RMS-73

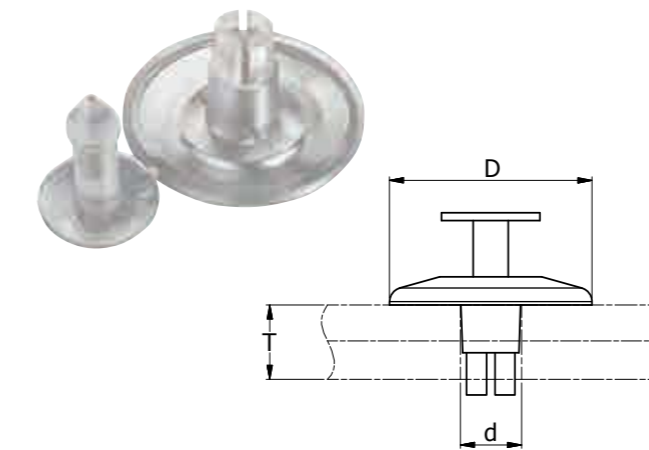
Part Number	Hole Ø	Panel Thickness	Dimensions (mm)				No. of Legs	Pin Head Style	Standard Pack Quantity
			"A"	"B" Ø	"C"	"D"			
TR-1	4.9 - 5.2	1.5 - 4.6	2.5	7.2	1.1	11.3	3	B	1000
TR-2	6.3 - 7	2.5 - 8.9	3.6	25	2.5	22.8	2	A	1000
TR-3	6.4 - 7	2.5 - 8	2.8	14.9	2	22.8	2	A	1000
TR-4	8 - 8.3	3 - 8	2.3	14.9	2.7	21.1	2	A	1000



RIVETS AND PANEL FASTENERS

Spread Rivets

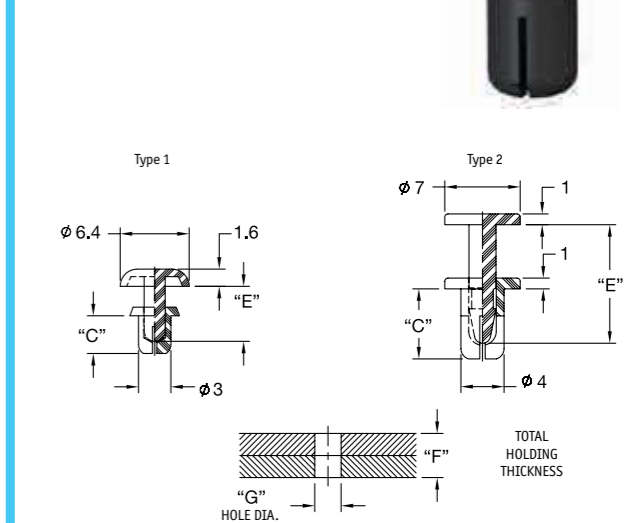
SR1873  
Clear - K Resin  
Black & White - Polypropylene  
• Fixing rivet for multiple panels  
• Available in Clear, White or Black



Part Number	Dimensions (mm)			Colour	Standard Pack Quantity
	D	Hole Diameter (d)	Panel Thickness (T)		
601795	28.8	8.0	14.0	Clear	250
601796	28.8	8.0	14.0	White	250
601797	28.8	8.0	14.0	Black	250
601798	28.8	8.0	21.0	Clear	250
601799	28.8	8.0	21.0	White	250
601800	28.8	8.0	21.0	Black	250

Snap Rivet "P" Type

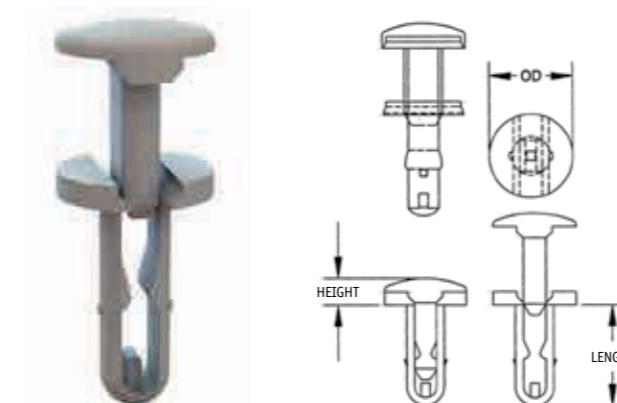
SR 2313  
SRP  
Black UL94 HB Polysulfone, RMS-51  
• Withstands temperatures up to 155°C



Part Number	Hole Ø "G"	Total Holding Thickness "E"	"C"	"E"	Type	Standard Pack Quantity
SRP-3045	3.1 - 3.2	1.5 - 2.5	4.5	6.1	1	1000
SRP-3055	3.1 - 3.2	2.5 - 3.5	5.5	6.1	1	1000
SRP-4065	4 - 4.2	3.5 - 4.5	6.5	11	2	1000

Panel Cincing Rivets

SR K-0014  
Natural PA 6.6



- Two piece fastener, quick and easy to install
- Secure fixing
- Removable



Part Number	Dimensions (mm)					Standard Pack Quantity
	OD	Hole Size	Panel Thickness	Length	Height	
27CINCH01	6.35	3.18	0.51-2.77	9.07	2.03	1000
27CINCH02	9.53	4.75	0.51-4.42	11.08	3.38	1000
27CINCH03	9.53	6.35	0.51-2.77	12.07	2.92	500
27CINCH04	15.88	6.35	0.51-4.42	14.1	2.97	1000

### RIVETS AND PANEL FASTENERS

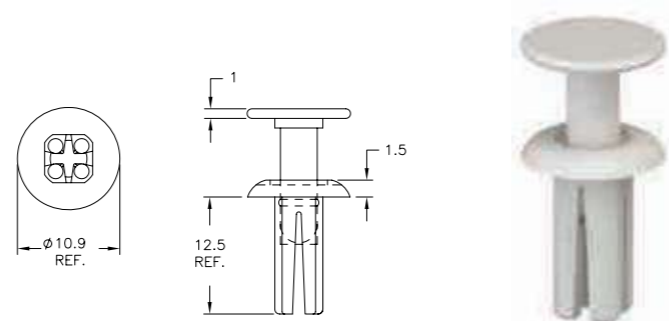
#### Push Rivet

SR 2314

PPR-10

Natural Nylon, UL94 V2 , RMS-120

- Suitable for 6.4 round mounting hole option
- Suitable for 5.6 square mounting hole option

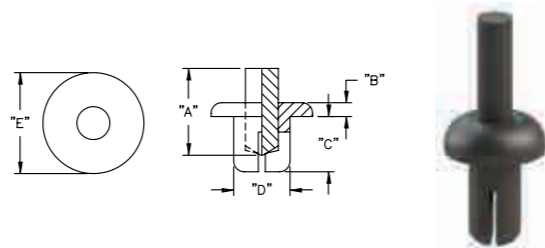


Part Number	Total Holding Thickness	Standard Pack Quantity
PPR-10	3.56-5.08	1000

#### Push Rivet Blunt

SR 2315

PPR



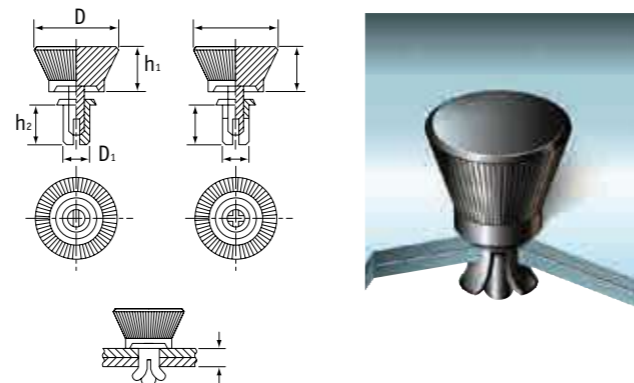
Colour: Black	Colour: White	Ø Hole	Total Holding Thickness	Dimensions (mm)					Material	Standard Pack Quantity
				"A"	"B"	"C"	Ø "D"	Ø "E"		
PPR-3055B	PPR-3055W	3.1	3 - 4	8.9	2	5.6	3	5.8	UL94 V2 Nylon6. RMS-52	1000
PPR-4050B	PPR-4050W	4.1	2.5 - 3.5	9.2	2.2	5	4	8	UL94 V2 Nylon6. RMS-52	1000
PPR-4850B	PPR-4850W	4.8	1.2 - 3	10.4	3.3	5.1	4.8	9.9	UL94 V2 Nylon6. RMS-52	1000
PPR-5060B	PPR-5060W	5.1	3 - 4	9.4	2.8	6.1	5	9.4	UL94 V2 Nylon6. RMS-52	1000
PPR-5070B	PPR-5070W	5.1	4 - 5	11.4	2.8	7.1	5	9.4	UL94 V2 Nylon6. RMS-52	1000
PPR-5080B	PPR-5080W	5.1	5 - 6	11.4	2.8	8.1	5	9.4	UL94 V2 Nylon6. RMS-52	1000
PPR-6060B	PPR-6060W	6.1	2.5 - 4	9.4	1.5	6.1	6	10.9	Polyethylene. RMS-142	1000

#### Releasable Rivets

SR 1994

Plunger: Nylon 6

- Easy application and release mechanism
- Ideal for applications requiring regular maintenance



Part Number	Dimensions (mm)						Standard Pack Quantity
	Black	White	D	h1	D1	h2	
SRT-3035B	SRT-3035W	10.0	8.0	3.0	3.5	1.0-2.0	1000
-	SRT-3045W	10.0	8.0	3.0	4.5	2.0-3.0	1000
-	552064	10.0	8.0	3.0	5.5	3.0-4.0	1000
SRT-3570B	-	10.0	8.0	3.5	7.0	3.8-5.2	1000
SR-4050B	552055	12.0	8.0	4.0	5.0	2.5-3.5	1000
552054	-	12.0	8.0	4.0	6.0	3.5-4.5	1000
-	SRT-4080W	12.0	8.0	4.0	8.0	5.5-6.5	1000
SRT-4100B	-	12.0	8.0	4.0	10.0	7.5-8.5	1000

### RIVETS AND PANEL FASTENERS

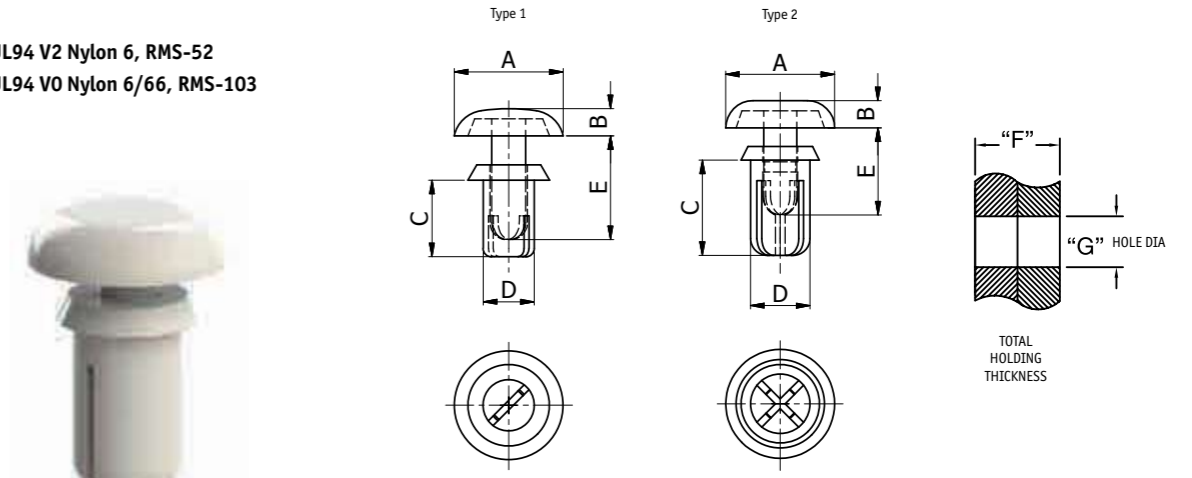
#### Snap Rivets

SR 2316

SR/SRVO

Material: UL94 V2 Nylon 6, RMS-52

Material: UL94 V0 Nylon 6/66, RMS-103



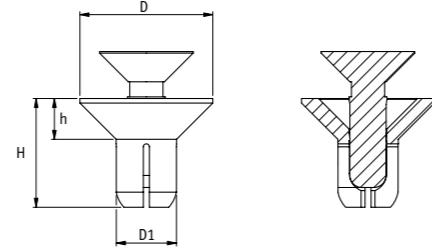
Part Number			Hole Ø "G"	Extraction Force kg Typ.	Total Holding Thickness "F"	Dimensions (mm)					Standard Pack Quantity	
UL94 V2 Nylon 6	White	Black				"A" Ø	"B"	"C"	"D" Ø	"E"		Type
SR-2024B	SR-2024W	SRVO-2024B	2.1 - 2.2	3	0.6 - 1.2	4.2	1.2	2.4	2	2.8	1	1000
SR-2032B	SR-2032W	SRVO-2032B	2.1 - 2.2	3	1.3 - 2	4.2	1.2	3.2	2	3.8	1	1000
SR-2040B	SR-2040W	SRVO-2040B	2.1 - 2.2	3	2.1 - 2.8	4.2	1.2	4	2	5.5	1	1000
SR-2048B	SR-2048W	SRVO-2048B	2.1 - 2.2	3	2.9 - 3.6	4.2	1.2	4.8	2	5.5	1	1000
SR-2056B	SR-2056W	SRVO-2056B	2.1 - 2.2	3	3.7 - 4.4	4.2	1.2	5.6	2	7.2	1	1000
SR-2064B	SR-2064W	SRVO-2064B	2.1 - 2.2	3	4.4 - 5	4.2	1.2	6.4	2	7.1	1	1000
SR-2632B	SR-2632W	SRVO-2632B	2.7 - 2.8	5	1 - 2	5	1.4	3.2	2.6	4.5	1	1000
SR-2642B	SR-2642W	SRVO-2642B	2.7 - 2.8	5	2 - 3	5	1.4	4.2	2.6	4.5	1	1000
SR-2648B	SR-2648W	SRVO-2648B	2.7 - 2.8	5	2.7 - 3.6	5	1.4	4.8	2.6	6.1	1	1000
SR-2655B	SR-2655W	SRVO-2655B	2.7 - 2.8	5	3.4 - 4.3	5	1.4	5.6	2.6	6.1	1	1000
SR-2664B	SR-2664W	SRVO-2664B	2.7 - 2.8	5	4.3 - 5.2	5	1.4	6.4	2.6	7.8	1	1000
SR-2672B	SR-2672W	SRVO-2672B	2.7 - 2.8	5	5.1 - 6	5	1.4	7.2	2.6	7.8	1	1000
SR-3035B	SR-3035W	SRVO-3035B	3.1 - 3.2	8	1 - 2	6.4	1.6	3.5	3	5.1	1	1000
SR-3045B	SR-3045W	SRVO-3045B	3.1 - 3.2	8	2 - 3	6.4	1.6	4.5	3	6.1	1	1000
SR-3055B	SR-3055W	SRVO-3055B	3.1 - 3.2	8	3 - 4	6.4	1.6	5.6	3	6.1	1	1000
SR-3065B	SR-3065W	SRVO-3065B	3.1 - 3.2	8	4 - 5	6.4	1.6	6.5	3	7.1	1	1000
SR-3075B	SR-3075W	SRVO-3075B	3.1 - 3.2	8	5 - 6	6.4	1.6	7.5	3	9	1	1000
SR-3080B	SR-3080W	SRVO-3080B	3.1 - 3.2	8	5.5 - 6.5	6.4	1.6	8	3	9	1	1000
SR-3090B	SR-3090W	SRVO-3090B	3.1 - 3.2	8	6.5 - 7.5	6.4	1.6	9	3	11	1	1000
SR-3100B	SR-3100W	SRVO-3100B	3.1 - 3.2	8	7.5 - 8.5	6.4	1.6	10	3	11	1	1000
SR-3535B	SR-3535W	SRVO-3535B	3.6 - 3.7	12	1.2 - 2.1	6.4	1.6	3.5	3.5	5.1	2	1000
SR-3545B	SR-3545W	SRVO-3545B	3.6 - 3.7	12	2.1 - 3	6.4	1.6	4.5	3.5	6.1	2	1000
SR-3550B	SR-3550W	SRVO-3550B	3.6 - 3.7	12	2.7 - 3.6	6.4	1.6	5	3.5	6.1	2	1000
SR-3555B	SR-3555W	SRVO-3555B	3.6 - 3.7	12	3 - 4	6.4	1.6	5.6	3.5	7.1	2	1000
SR-3560B	SR-3560W	SRVO-3560B	3.6 - 3.7	12	3.7 - 4.6	6.4	1.6	6	3.5	7.1	2	1000
SR-3570B	SR-3570W	SRVO-3570B	3.6 - 3.7	12	4.5 - 5.5	6.4	1.6	7.2	3.5	9	2	1000
SR-3580B	SR-3580W	SRVO-3580B	3.6 - 3.7	12	5.5 - 6.5	6.4	1.6	8	3.5	9.1	2	1000
SR-4050B	SR-4050W	SRVO-4050B	4.1 - 4.2	20	2.5 - 3.5	8	1.8	5	4	7.1	2	1000
SR-4060B	SR-4060W	SRVO-4060B	4.1 - 4.2	20	3.5 - 4.5	8	1.8	6	4	7.1	2	1000
SR-4070B	SR-4070W	SRVO-4070B	4.1 - 4.2	20	4.5 - 5.5	8	1.8	7.2	4	9	2	1000
SR-4080B	SR-4080W	SRVO-4080B	4.1 - 4.2	20	5.5 - 6.5	8	1.8	8	4	9	2	1000
SR-4090B	SR-4090W	SRVO-4090B	4.1 - 4.2	20	6.5 - 7.5	8	1.8	9	4	11	2	1000
SR-4100B	SR-4100W	SRVO-4100B	4.1 - 4.2	20	7.5 - 8.5	8	1.8	10	4	11	2	1000
SR-4120B	SR-4120W	SRVO-4120B	4.1 - 4.2	20	9 - 10.5	8	1.8	12	4	14	2	1000
SR-5045B	SR-5045W	SRVO-5045B	5.1 - 5.2	25	1.5 - 2.5	9	2.2	4.5	5	6.5	2	1000
SR-5055B	SR-5055W	SRVO-5055B	5.1 - 5.2	25	2.5 - 3.5	9	2.2	5.6	5	6.5	2	1000
SR-5065B	SR-5065W	SRVO-5065B	5.1 - 5.2	25	3.5 - 4.5	9	2.2	6.5	5	8.5	2	1000
SR-5075B	SR-5075W	SRVO-5075B	5.1 - 5.2	25	4.5 - 5.5	9	2.2	7.5	5	8.5	2	1000
SR-5085B	SR-5085W	SRVO-5085B	5.1 - 5.2	25	5.5 - 6.5	9	2.2	8.5	5	10.5	2	1000
SR-5095B	SR-5095W	SRVO-5095B	5.1 - 5.2	25	6.5 - 7.5	9	2.2	9.5	5	10.5	2	1000
SR-5105B	SR-5105W	SRVO-5105B	5.1 - 5.2	25	7.5 - 8.5	9	2.2	10.5	5	12	2	1000
SR-6060B	SR-6060W	SRVO-6060B	6.1 - 6.2	30	2.5 - 4	12	2.5	6	6	9	2	1000
SR-6080B	SR-6080W	SRVO-6080B	6.1 - 6.2	30	3.5 - 5.5	12	3	8	6	10	2	1000

RIVETS AND PANEL FASTENERS

Countersunk Snap Rivets

SR 1811

- Snap-Fit fastener
- Ideal for flush fit



Part Number		Dimensions (mm)				Panel Thickness	Standard Pack Quantity
Black	White	D	h	H	D1		
SRCS-4060B	SRCS-4060W	8.8	2.7	6.0	4.0	3.5 - 4.5	1000
SRCS-4070B	SRCS-4070W	8.8	2.7	7.2	4.0	4.5 - 5.5	1000
SRCS-4080B	SRCS-4080W	8.8	2.7	8.0	4.0	5.5 - 6.5	1000
SRCS-4090B	SRCS-4090W	8.8	2.7	9.0	4.0	6.5 - 7.5	1000
SRCS-4100B	SRCS-4100W	8.8	2.7	10.0	4.0	7.5 - 8.5	1000
SRCS-5065B	SRCS-5065W	9.8	2.7	6.5	5.0	3.5 - 4.5	1000

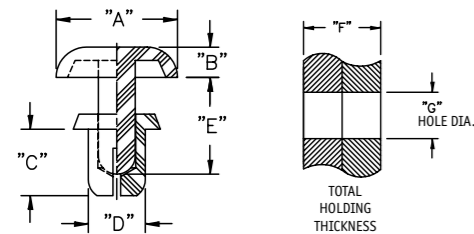
Snap Rivet Heat Resistant

SR 2317

SRHR

Tan UL94 V2 Nylon 4/6, RMS-109

- Withstands temperatures up to 130°C



Part Number	Hole Ø "G"	Total Holding Thickness "F"	Dimensions (mm)					Standard Pack Quantity
			"A" Ø	"B"	"C"	"D" Ø	"E"	
SRHR-3035	3.1 - 3.2	1.0 - 2.0	6.4	1.6	3.5	3.0	5.1	1000
SRHR-3045	3.1 - 3.2	2.0 - 3.0	6.4	1.6	4.5	3.0	6.1	1000
SRHR-3055	3.1 - 3.2	3.0 - 4.0	6.4	1.6	5.6	3.0	6.1	1000
SRHR-3065	3.1 - 3.2	4.0 - 5.0	6.4	1.6	6.5	3.0	7.1	1000
SRHR-3080	3.1 - 3.2	5.0 - 6.5	6.4	1.6	8.0	3.0	9.0	1000
SRHR-3535	3.6 - 3.7	1.2 - 2.1	6.4	1.6	3.5	3.5	5.1	1000
SRHR-3545	3.6 - 3.7	2.2 - 3.1	6.4	1.6	4.5	3.5	6.1	1000
SRHR-3555	3.6 - 3.7	3.0 - 4.0	6.4	1.6	5.6	3.5	7.1	1000
SRHR-4050	4.1 - 4.2	2.5 - 3.5	8.0	1.8	5.0	4.0	7.1	1000
SRHR-4060	4.1 - 4.2	3.5 - 4.5	8.0	1.8	6.0	4.0	7.1	1000
SRHR-4070	4.1 - 4.2	4.5 - 5.5	8.0	1.8	7.2	4.0	9.0	1000
SRHR-4080	4.1 - 4.2	5.5 - 6.5	8.0	1.8	8.0	4.0	9.0	1000
SRHR-4100	4.1 - 4.2	7.5 - 8.5	8.0	1.8	10	4.0	11.0	1000

RIVETS AND PANEL FASTENERS

Snap Latch

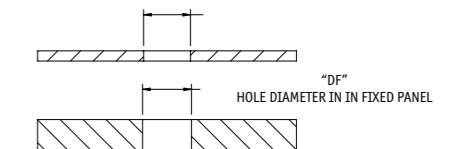
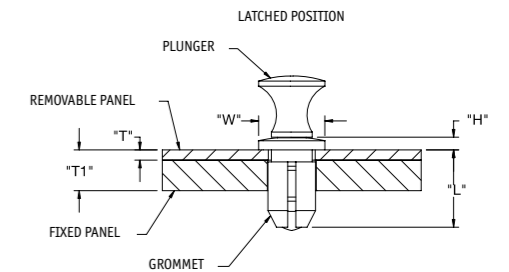
SR 2318

SLG/SLPL/SLPB

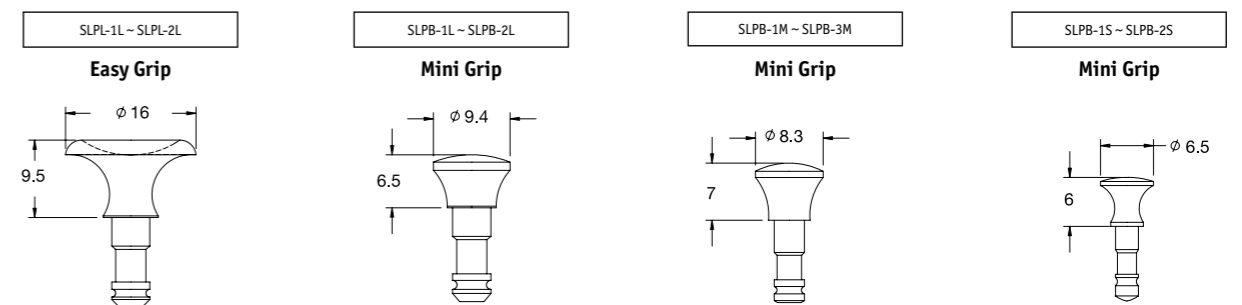
Material: Plunger; UL94V2 Nylon 6, RMS-120

Grommet; UL94 V2 Polycarbonate, RMS-72

- To install, push the grommet into the removable panel and then the desired plunger into the grommet. When the panel and plunger are pushed into the fixed panel, it locks them together
- Simply pull on the plunger to remove the non-fixed panel
- Grommet and mating plunger are sold separately



Mating Plunger Styles



Part Number	Colour	"W"	"H"	"L" Ref.	Removable Panel Thickness "T" Max.	Total Panel Thickness "T1" Min. - Max.	Removable Panel Hole Ø Range "DR"	Fixed Panel Hole Ø Range "DF"	Mating Plunger Part Number	Alternate Mating Plunger Part Number	Standard Pack Quantity
SLG-1L-B	Black	10.8	2.0	9.0	1.6	2.0 - 4.2	7.5 - 7.7	8.0 - 8.2	SLPB-1L-B	SLPL-1L-B	1000
SLG-2L-B	Black	10.8	2.0	10.0	2.5	3.0 - 5.2	7.5 - 7.7	8.0 - 8.2	SLPB-2L-B	SLPL-2L-B	1000
SLG-1M-B	Black	8.5	1.8	8.0	1.1	1.5 - 3.7	5.95 - 6.1	6.35 - 6.5	SLPB-1M-B	-	1000
SLG-2M-B	Black	8.5	1.8	8.5	1.6	2.0 - 4.2	5.95 - 6.1	6.35 - 6.5	SLPB-2M-B	-	1000
SLG-3M-B	Black	8.5	1.8	9.5	2.5	3.0 - 5.2	5.95 - 6.1	6.35 - 6.5	SLPB-3M-B	-	1000
SLG-1S-B	Black	6.5	1.2	7.6	1.0	2.0 - 4.0	4.5 - 4.6	4.7 - 4.8	SLPB-1S-B	-	1000
SLG-2S-B	Black	6.5	1.2	8.1	1.5	2.5 - 4.5	4.5 - 4.6	4.7 - 4.8	SLPB-2S-B	-	1000
SLG-1L-W	White	10.8	2.0	9.0	1.6	2.0 - 4.2	7.5 - 7.7	8.0 - 8.2	SLPB-1L-W	SLPL-1L-W	1000
SLG-2L-W	White	10.8	2.0	10.0	2.5	3.0 - 5.2	7.5 - 7.7	8.0 - 8.2	SLPB-2L-W	SLPL-2L-W	1000
SLG-1M-W	White	8.5	1.8	8.0	1.1	1.5 - 3.7	5.95 - 6.1	6.35 - 6.5	SLPB-1M-W	-	1000
SLG-2M-W	White	8.5	1.8	8.5	1.6	2.0 - 4.2	5.95 - 6.1	6.35 - 6.5	SLPB-2M-W	-	1000
SLG-3M-W	White	8.5	1.8	9.5	2.5	3.0 - 5.2	5.95 - 6.1	6.35 - 6.5	SLPB-3M-W	-	1000
SLG-1S-W	White	6.5	1.2	7.6	1.0	2.0 - 4.0	4.5 - 4.6	4.7 - 4.8	SLPB-1S-W	-	1000
SLG-2S-W	White	6.5	1.2	8.1	1.5	2.5 - 4.5	4.5 - 4.6	4.7 - 4.8	SLPB-2S-W	-	1000

RIVETS AND PANEL FASTENERS

Quarter Turn and Snap Latches

SR 6270

Polyamide

- Ideal access panel fasteners
- Snaps or quarter turn locks into position
- Wide range of panel depths and mounting hole sizes
- Permanent mounting solution



Part Number	Mounting Style	Dimensions (mm)					Removable Panel		Fixed Panel		Standard Pack Quantity
		Type	Plunger Diameter	Closed Height	Grommet Head Diameter	Grommet Depth	Thickness	Hole Diameter	Thickness	Hole Diameter	
551660	Snap in Latch-Standard Panel	1	8.0	8.0	8.5	11.0	3.5-4.1	6.2	<6	6.4	1000
551661	Snap in Latch-Standard Panel	2	7.0	4.0	8.5	12.0	3.25-4.1	6.2	<6	6.4	1000
551662	Snap in Latch-Standard Panel	1	8.0	9.0	8.5	11.0	3.5-4.1	6.0	<6	6.4	1000
551663	Snap in Latch-Thin Panel	2	7.5	5.5	10.5	9.0	0.7-1.0	7.0	<4	6.0	1000
551664	Snap in Latch-Thick Panel	2	7.5	5.0	10.5	12.0	4.9-5.3	7.0	<6	7.7	1000
551665	Snap in Latch-Standard Panel	1	9.5	9.5	10.5	11.0	3.5-4.1	7.0	<6	8.0	1000

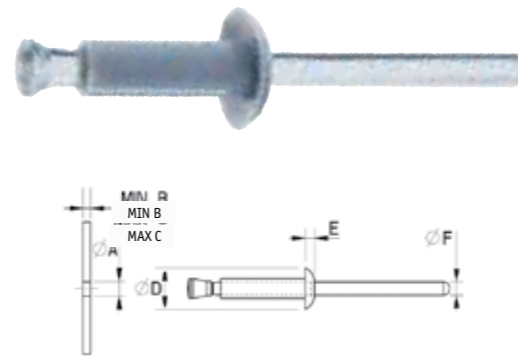
Part Number	Mounting Style	Type	Head Diameter	Grommet Head Diameter	Grommet Depth	Removable Panel		Fixed Panel		Total Panel Depth	Standard Pack Quantity
						Mounting Hole	Mounting Hole				
551666	Round Quarter Turn Latch	3	15.0	15.0	11.0	9 x 9mm	9.5 x 9.5mm	1.4-5mm		1000	
551667*	Round Quarter Turn Latch	4	19.5	18.0 x 18.0	16.0	10 x 10mm	10 x 10mm	1.4-1.8mm		1000	

\*Made of POM

Clinch Rivet

SR 2016

- Made of polycarbonate (PC) and nylon-6 (PA-6)
- Colour: black, white, grey, beige
- Suitable for use with materials such as wood, metal, plastic
- Light in weight, good insulating properties and chemical resistance



Part Number				Dimensions (mm)						Standard Pack Quantity
Black	White	Grey	Beige	A	B	C	D	E	F	
CR32-1-1	CR32-1-2	1283988	1283989	3.3	1.5	3.5	6.4	1.4	2.1	100
CR32-2-1	CR32-2-2	1283990	1283991	3.3	3.5	6.5	6.4	1.4	2.1	100
CR32-3-1	CR32-3-2	-	-	3.3	6.5	9.5	6.4	1.4	2.1	100
CR40-1-1	CR40-1-2	1283994	-	4.1	1.0	3.5	8.0	1.8	2.4	100
CR40-2-1	CR40-2-2	1283996	1283997	4.1	3.5	6.0	8.0	1.8	2.4	100
CR40-3-1	CR40-3-2	1283998	-	4.1	6.0	9.0	8.0	1.8	2.4	100
CR48-1-1	CR48-1-2	1284000	-	4.9	1.5	4.5	9.6	2.0	2.8	100
CR48-2-1	CR48-2-2	1284002	171491138222	4.9	4.5	7.5	9.6	2.0	2.8	100
CR48-3-1	CR48-3-2	1284003	-	4.9	7.5	10.5	9.6	2.0	2.8	100
CR56-1-1	CR56-1-2	1285318	1285319	5.7	2.0	5.0	12.0	2.2	3.4	100
CR56-2-1	1285320	-	-	5.7	5.0	8.0	12.0	2.2	3.4	100
CR56-3-1	CR56-3-2	1285323	1285324	5.7	8.0	11.5	12.0	2.2	3.4	100

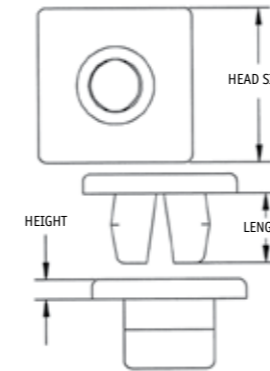
RIVETS AND PANEL FASTENERS

Square Head Grommet Nuts

SR K-0011

Natural PA 6.6

- Low cost, positive connection of thin gauge materials
- Eliminates cross threading
- Snaps into pre-punched holes



Part Number	Dimensions (mm)						Standard Pack Quantity
	Hole Size	Panel Thickness	Screw Size	Head Size	Height	Length	
60SGN00001	6.99-7.37	0.79-3.18	8-10	9.53	0.79	8.13	1000
60SGN00002	6.99-7.37	0.79-3.18	8-10	9.53	1.57	8.13	500
60SGN00003	6.99-7.37	0.79-3.18	8-10	9.53	3.18	8.13	1000
60SGN00004	6.99-7.37	0.79-3.18	8-10	9.53	6.35	8.13	500
60SGN00006	6.35-6.61	0.79-2.92	6	11.05	2.39	5.59	1000
60SGN00007	6.86-6.86	1.57-6.99	6	9.53-12.70	0.79	11.05	1000
60SGN00015	9.40-9.65	0.79-3.96	10	15.87	1.98	8.25	1000
60SGN00912	5.71-6.48	0.79-3.18	8	9.53	4.75	7.62	1000
60SGN00913	6.35-6.35	0.79-1.52	8-10	10.31	0.76	7.14	1000
60SGN00915	6.22-6.48	0.79-3.18	6-8	9.53	0.79	7.14	1000
60SGN01000	6.35-6.48	2.79-3.18	6	9.53	0.79	6.73	1000
60SGN01012	4.39-4.52	0.79-1.98	4	5.54	6.35	5.54	1000
60SGN01014	6.35-6.86	1.57-3.94	6	9.53	0.81	7.92	1000
60SGN01016	7.24-7.49	1.98-4.45	8	9.65	1.14	8.65	1000
60SGN01020	6.99-7.11	1.02-1.14	8-10	9.4	0.81	8.38	1000
60SGN01122	8.89-9.02	5.54-5.84	8-10	12.07	1.63	10.69	1000
60SGN01125	9.40-9.91	1.57-4.75	10	15.47	2.16	7.37	500
60SGN01126	7.75-8.00	0.79-4.44	8	11.94	1.52	7.62	500
60SGN01130	9.40-9.52	0.79-2.54	12	15.75	2.03	6.98	1000
60SGN01135	4.39-4.52	0.79-1.98	4	5.54	1.27	5.54	1000
60SGN01145	6.85-7.87	0.79-4.32	8	10.29	1.57	7.92	1000
60SGN01150	7.87-7.87	0.79-4.32	10	11.81	1.57	7.49	500
60SGN01154	8.12-8.12	0.79-3.93	10	16.51	1.83	7.74	500
60SGN01155	6.22-6.35	1.19-2.41	2	9.52	0.81	6.07	1000
60SGN01160	8.52-8.64	1.58-3.17	8	12.96	1.9	8	1000
60SGN01165	6.86-6.86	1.58-3.17	6	9.9	1.27	6.99	1000
60SGN01170	6.90-7.24	0.79-3.17	4	9.53	1.27	5.54	1000
60SGN00914	6.86-6.99	0.79-2.77	6	9.53	7.75	7.14	1000
60SGN01171	5.08-6.86	0.81-3.96	6	7.93-11.1	0.89	7.93	1000
60SGN01175	6.99-7.11	1.60-3.05	6	9.9	1.4	7.14	1000
60SGN01176	6.61-6.86	2.36-4.75	6	10.41	1.02	7.87	1000
60SGN01177	6.99-6.99	4.76-6.35	4	9.53	0.89	9.92	1000
60SGN01178	6.99-6.99	1.19-4.57	8	9.53	0.81	8.31	1000
60SGN01179	9.40-11.30	1.19-4.57	1/4	15.88	2.04	7.14	1000
60SGN01180	9.40-9.50	1.60-3.05	1/4	15.9	2.04	7.14	500
60SGN01182	9.40-9.50	3.17-6.35	1/4	15.87	2.04	10.31	500
60SGN01185	8.08-8.51	0.81-5.94	10	11.94	1.4	10.67	500
60SGN01190	8.51-8.76	1.58-4.35	10	11.88	2.42	10.16	1000
60SGN01195	8.38-9.28	0.81-2.41	10	12.52	2.39	7.5	500
60SGN01200	6.35-6.61	1.58-3.18	6	9.53	3.56	6.73	1000
60SGN03400	7.92-8.25	4.34	10	11.98	1.49	7.49	1000

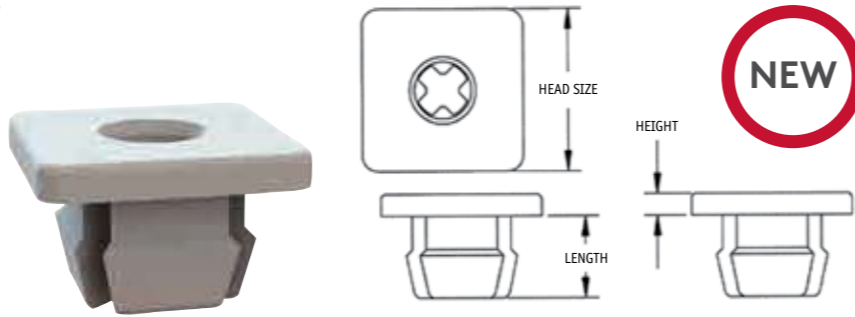
## RIVETS AND PANEL FASTENERS

### Double Split Square Grommet Nuts

SR K-0012

Natural PA 6.6

- Low cost, positive connection of thin gauge materials
- Eliminates cross threading
- Snaps into pre-punched holes



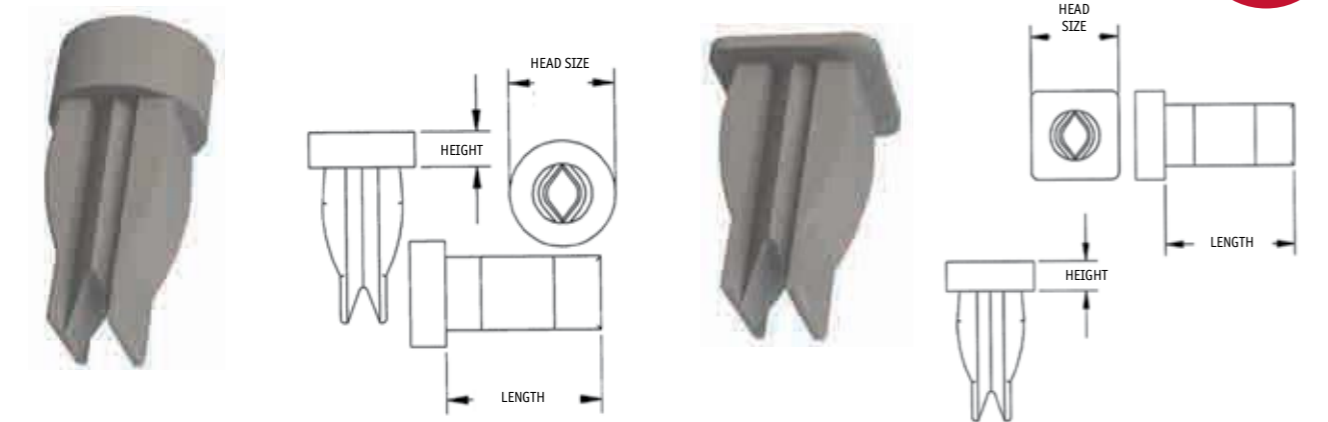
Part Number	Dimensions (mm)						Standard Pack Quantity
	Hole Size	Panel Thickness	Screw Size	Head Size	Height	Length	
60SGN01010	9.58-9.7	3.18-3.30	10	15.48	2.08	7.82	500
60SGN01015	5.79-5.92	6.35-6.88	8	9.53	0.79	10.31	1000
60SGN01018	7.87-8.0	2.79-2.92	8	11.1	1.98	7.14	500
60SGN01019	7.75-7.87	3.18-3.43	8	11.1	1.57	7.14	500
60SGN01021	9.53-9.91	5.48	1/4	15.88	2.03	11.13	1000
60SGN01025	6.35	0.91-6.99	8	9.53	1.19	10.67	500
60SGN01128	8.38	0.79-3.18	8	12.83	0.81	6.98	500
60SGN01030	7.7	0.79-3.68	8-10	11.05	1.57	6.86	1000
60SGN01181	10.42	0.79-1.58	1/4	16.0	3.56	7.12	500

### Closed Screw Grommet Nuts

SR K-0013

Natural PA 6.6

- Low cost, positive connection of thin gauge materials
- Eliminates cross threading
- Snaps into pre-punched holes



Part Number	Dimensions (mm)							Standard Pack Quantity
	Head Style	Hole Size	Panel Thickness	Screw Size	Head Size	Height	Length	
60SGC00001	Square	6.86-7.37	0.51-3.56	8-10	9.53	0.79	13.7	1000
60SGC00002	Square	6.86-7.37	0.51-3.56	8-10	9.53	1.57	13.7	1000
60SGC00003	Square	6.86-7.37	0.51-3.56	8-10	9.53	3.18	13.7	1000
60SGC00004	Square	6.86-7.37	0.51-3.56	8-10	9.53	6.35	13.7	500
60SGC00005	Square	7.85-8.0	0.51-3.56	8-10	11.1	0.79	13.7	1000
60SGC00006	Square	7.85-8.0	0.51-3.56	8-10	11.1	1.57	13.7	1000
60SGC00007	Square	7.85-8.0	0.51-3.56	8-10	11.1	3.18	13.7	500
60SGC00008	Square	7.85-8.0	0.51-3.56	8-10	11.1	6.35	13.7	1000
60SGC00010	Round	6.35-7.14	0.51-3.56	8-10	9.53	3.18	11.1	500
60SPG00001	Round	6.86-7.37	6.86-7.37	8-10	9.53	3.18	13.7	1000
60SPG00002	Round	6.86-7.37	6.86-7.37	8-10	9.53	4.75	13.7	1000
60SPG00003	Round	6.86-7.37	6.86-7.37	8-10	9.53	6.35	13.7	500
60SPG00004	Round	6.86-7.37	6.86-7.37	8-10	9.53	7.92	13.7	1000
60SPG00005	Round	6.86-7.37	6.86-7.37	8-10	9.53	9.53	13.7	1000
60SPG00006	Round	6.86-7.37	6.86-7.37	8-10	9.53	12.7	13.7	1000

## METAL FASTENERS

### Key Locking Threaded Inserts

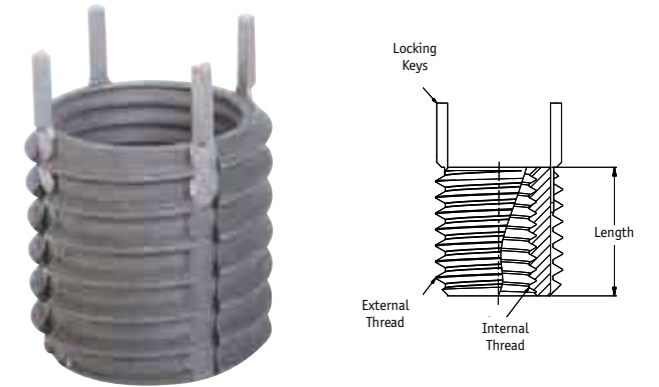
SR 2341

P200535

Steel: C1215, Parkerized

Stainless Steel: 303, Passivated

- Quickly repair stripped, damaged or worn out threads
- Easily installed using standard drills and taps
- Once the locking keys are driven down, the insert is tightly locked and will not turn
- Internal threads are to class 2B
- External threads are to class 2A
- Inserts with internal thread size M7 or larger have four locking keys
- Smaller sizes have two locking keys
- Solid inserts allow you to relocate or fill in holes that are too large



#### Thinwall

Part Number	Steel	Stainless Steel	Internal Thread	External Thread	Length (mm)	Minimum Tap Depth (mm)	Standard Pack Quantity	Corresponding Installation Tool
								Part Number
KLI-65951	-	KLI-66351	M5 x 0.80	M8 x 1.25	8	9.5	1	KLI-64751
KLI-65952	-	KLI-66352	M6 x 1.00	M10 x 1.25	10	11.5	1	KLI-64752
KLI-65953	-	KLI-66353	M8 x 1.25	M12 x 1.25	12	13.5	1	KLI-64753
KLI-66153	-	KLI-66553	M8 x 1.00	M12 x 1.25	12	13.5	1	KLI-64753
KLI-65955	-	KLI-66355	M10 x 1.50	M14 x 1.50	14	15.5	1	KLI-64755
KLI-66155	-	-	M10 x 1.25	M14 x 1.50	14	15.5	1	KLI-64755
KLI-65956	-	KLI-66356	M12 x 1.75	M16 x 1.50	16	17.5	1	KLI-64756

#### Solid

Part Number	Steel	Stainless Steel	Internal Thread	External Thread	Length (mm)	Minimum Tap Depth (mm)	Standard Pack Quantity	Corresponding Installation Tool
								Part Number
KLI-66023	-	-	-	M12 x 1.25	12	14.5	1	KLI-64823
KLI-66026	-	-	-	M18 x 1.50	18	20.5	1	KLI-64826

#### Heavy Duty

Part Number	Steel	Stainless Steel	Internal Thread	External Thread	Length (mm)	Minimum Tap Depth (mm)	Standard Pack Quantity	Corresponding Installation Tool
								Part Number
KLI-65963	-	KLI-66363	M4 x 0.70	M8 x 1.25	8	9.5	1	KLI-64763
KLI-65964	-	KLI-66364	M5 x 0.80	M10 x 1.25	10	12.5	1	KLI-64764
KLI-65965	-	KLI-66365	M6 x 1.00	M12 x 1.25	12	14.5	1	KLI-64765
KLI-65966	-	KLI-66366	M8 x 1.25	M14 x 1.50	14	16.5	1	KLI-64766
KLI-66166	-	-	M8 x 1.00	M14 x 1.50	14	16.5	1	KLI-64766
KLI-65967	-	KLI-66367	M10 x 1.50	M16 x 1.50	16	18.5	1	KLI-64767
KLI-66167	-	-	M10 x 1.25	M16 x 1.50	16	18.5	1	KLI-64767
KLI-65969	-	KLI-66369	M12 x 1.75	M18 x 1.50	18	20.5	1	KLI-64769
KLI-66169	-	-	M12 x 1.25	M18 x 1.50	18	20.5	1	KLI-64769
KLI-65970	-	-	M14 x 2.00	M20 x 1.50	20	22.5	1	KLI-64770
KLI-66170	-	-	M14 x 1.50	M20 x 1.50	20	22.5	1	KLI-64770
KLI-66971	-	KLI-66371	M16 x 2.00	M22 x 1.50	22	24.5	1	KLI-64771
KLI-66171	-	-	M16 x 1.50	M22 x 1.50	22	24.5	1	KLI-64771
KLI-66172	-	-	M18 x 1.50	M24 x 1.50	24	26.5	1	KLI-64772
KLI-65973	-	-	M20 x 2.50	M30 x 2.00	30	34.5	1	KLI-64773
KLI-66173	-	-	M20 x 1.50	M30 x 2.00	30	34.5	1	KLI-64773
KLI-66174	-	-	M22 x 1.50	M32 x 2.00	32	36.5	1	KLI-64774
KLI-65975	-	-	M24 x 3.00	M33 x 2.00	33	37.5	1	KLI-64775

#### Installation instructions:

- Step 1:** Drill out a hole to allow full tap depth shown in the description. Note, the tap drill is oversized
- Step 2:** Countersink to specifications in the chart
- Step 3:** Tap hole to specifications in the chart
- Step 4:** Screw in insert (by hand) to 0.25-0.75mm below surface
- Step 5:** Drive down locking keys with installation tool

#### Installation Instruction Data

Insert	Installation Data			Removal Data	
	External Thread Class 6g Diameter Pitch	Tap Drill Size	Countersink Diameter (+0.25)	Drill	
				Thread Tap Class 6H	Size
M8 x 1.25	6.90	8.25	M8 x 1.25	5.50	4.00
M10 x 1.25	8.80	10.25	M10 x 1.25	7.50	4.75
M12 x 1.25	10.80	12.25	M12 x 1.25	9.50	4.75
M14 x 1.5	12.80	14.25	M14 x 1.5	11.50	4.75
M16 x 1.5	14.75	16.25	M16 x 1.5	13.50	4.75
M18 x 1.5	16.75	18.25	M18 x 1.5	15.50	4.75
M20 x 1.5	18.75	20.25	M20 x 1.5	17.50	4.75
M22 x 1.5	20.50	22.25	M22 x 1.5	17.75	6.35
M24 x 1.5	22.50	24.25	M24 x 1.5	19.75	6.35
M30 x 2.0	28.00	30.25	M30 x 2.0	25.75	6.35
M32 x 2.0	30.00	32.25	M32 x 2.0	27.75	6.35
M33 x 2.0	31.00	33.25	M33 x 2.0	28.75	6.35

## METAL FASTENERS

### Thread Repair Tools

SR 2342  
P200550



- Quickly repairs damaged bolts
- Twisting the handle opens and closes the floating blades around a bolt
- Rotating the tool around the bolt quickly repairs damaged threads
- Adjusts to different diameters, inch or metric
- Blades automatically adapt to any thread pitch or groove
- Can be used on right hand or left hand threads
- Replacement blades are available

Part Number	Description	Standard Pack Quantity
NES-2	Extra Small Rethreader (4-18mm)	1
NES-3	Small Rethreader (6-19mm)	1
NES-1R	Rethreader Replacement	2
NES-2R	Rethreader Replacement	2

## YOUR JOB MADE EASIER:

- **FREE SAMPLES** – try before you buy
- **SMALL PACKS** – available in the quantities you need
- **RELIABLE DELIVERY** – same day shipping from stock
- **OUTSTANDING CUSTOMER SERVICE** – expert advice

Call **+386 4 / 510 53 60**

[www.metalika-kacin.com](http://www.metalika-kacin.com)

