



## Gumijasti čepi, blažilniki, podporniki in odbojniki Rubber Bumpers, Mounting Feet, Buffers and Supports

### METALIKA KACIN

Slovenija

**(+386) 04 510 53 60**

**info@metalika-kacin.com**

Hrvatska

**(+385) 051 213 060**

**hrvatska@metalika-kacin.com**

Srbija

**(+381) 011 25 21 756**

**srbija@metalika-kacin.com**

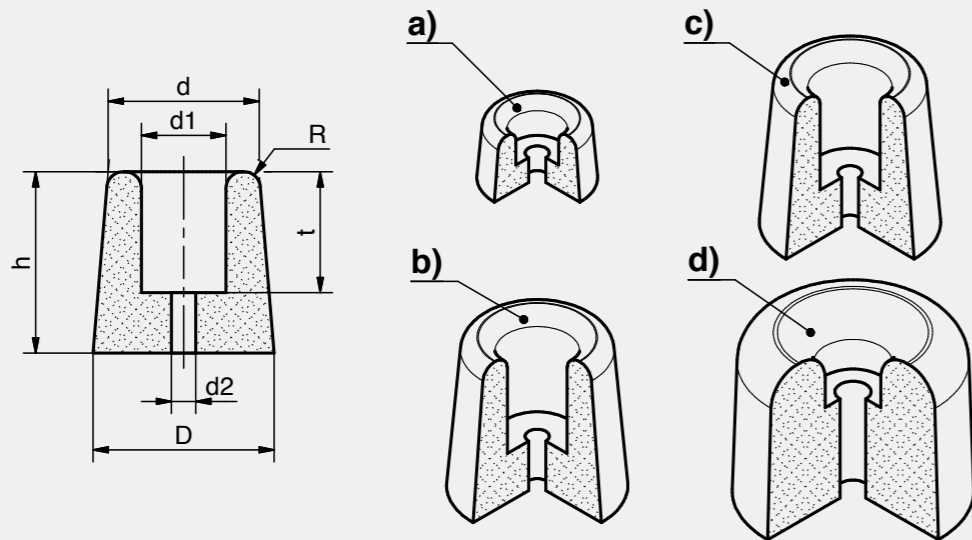


**Advantages**

- Rubber type bumpers in a variety of dimensions.
- Universal in use and made of rubber, they offer long service lives and an economical answer to many needs.
- Protection against damage to other components when opening and closing hinged hatch covers or doors.
- Used as rubber feet, they absorb vibration, too.
- Vigorous movements are damped.
- Scratches on the floor are prevented.

**Materials**

- **Rubber Bumpers:** EPDM 30% / NR 70%, black, Shore A 70-80°



Rubber Bumpers

	Part Number	h	D	d	d1	d2	t	R
a)	209-3001.00-00000	12 mm	20 mm	18 mm	10 mm	4 mm	7 mm	2 mm
b)	209-3002.00-00000	30 mm	30 mm	25 mm	14 mm	4 mm	20 mm	2.8 mm
c)	209-3003.00-00000	22.5 mm	20 mm	19 mm	10 mm	4 mm	8 mm	2 mm
d)	209-3004.00-00000	32 mm	40 mm	38 mm	13 mm	6 mm	12 mm	6 mm

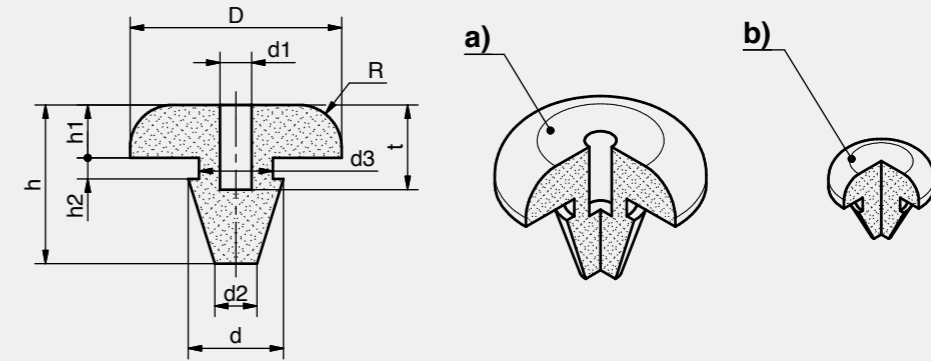


**Advantages**

- Mushroom type bumpers in a variety of dimensions.
- Universal in use and made of rubber, they offer long service lives and an economical answer to many needs.
- Protection against damage to other components when opening and closing hinged hatch covers or doors.
- Used as rubber feet, they absorb vibration, too.
- Vigorous movements are damped.
- Scratches on the floor are prevented.

**Materials**

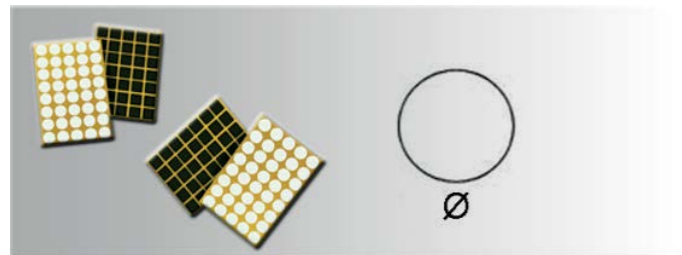
- **Mushroom type bumpers:** EPDM 30% / NR 70%, black, Shore A60°



Mushroom Type Bumpers

	Part Number	D	d	d1	d2	d3	h	h1	h2	t	R
a)	209-3101.00-00000	20 mm	9 mm	3 mm	4 mm	7 mm	15 mm	5 mm	2 mm	8 mm	4 mm
b)	209-3102.00-00000	10 mm	6 mm		2 mm	5 mm	8.5 mm	3 mm	1.5 mm		2 mm

Felt pads | Adhesive felt pads, round

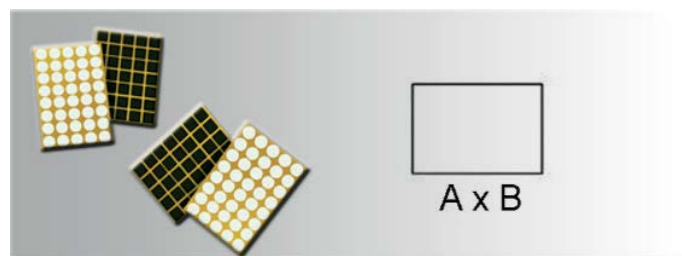


Adhesive felt pads, round.  
Can be used on the base of feet or inserts for smooth movement over floor surfaces.

Colours:  
Last digits 076 = brown  
Last digits 500 = white

Part no.	Ø	Part no.	Ø	Part no.	Ø
3171001076	10	3171007076	24	3171013076	40
3171001500	10	3171007500	24	3171013500	40
3171002076	14	3171008076	26	3171014076	45
3171002500	14	3171008500	26	3171014500	45
3171003076	16	3171009076	28	3171015076	50
3171003500	16	3171009500	28	3171015500	50
3171004076	18	3171010076	30	3171016076	60
3171004500	18	3171010500	30	3171016500	60
3171005076	20	3171011076	32	3171017076	70
3171005500	20	3171011500	32	3171017500	70
3171006076	22	3171012076	36		
3171006500	22	3171012500	36		

Felt pads | Adhesive felt pads, rectangular

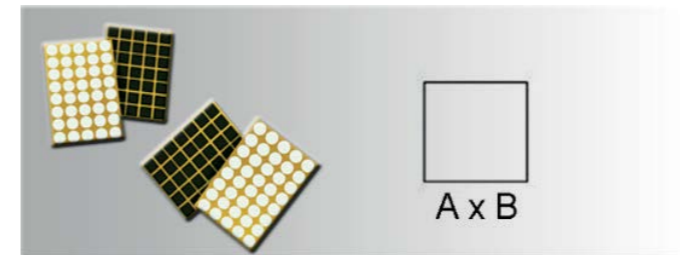


Adhesive felt pads, rectangular.  
Can be used on the base of feet or inserts for smooth movement over floor surfaces.

Colours:  
Last digits 076 = brown  
Last digits 500 = white

Part no.	AxB	Part no.	AxB	Part no.	AxB
3172001076	20x30	3172002500	20x40	3172004076	25x50
3172001500	20x30	3172003076	25x35	3172004500	25x50
3172002076	20x40	3172003500	25x35		

Felt pads | Adhesive felt pads, square

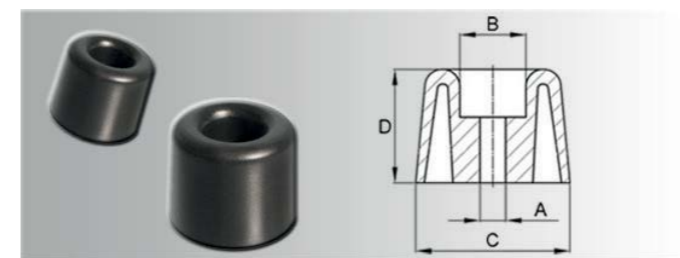


Adhesive felt pads, square.  
Can be used on the base of feet or inserts for smooth movement over floor surfaces.

Colours:  
Last digits 076 = brown  
Last digits 500 = white

Part no.	AxB	Part no.	AxB	Part no.	AxB
3173001076	20x20	3173004076	34x34	3173007076	50x50
3173001500	20x20	3173004500	34x34	3173007500	50x50
3173002076	25x25	3173005076	40x40	3173008076	100x100
3173002500	25x25	3173005500	40x40	3173008500	100x100
3173003076	30x30	3173006076	45x45		
3173003500	30x30	3173006500	45x45		

Buffers | Door bumpers

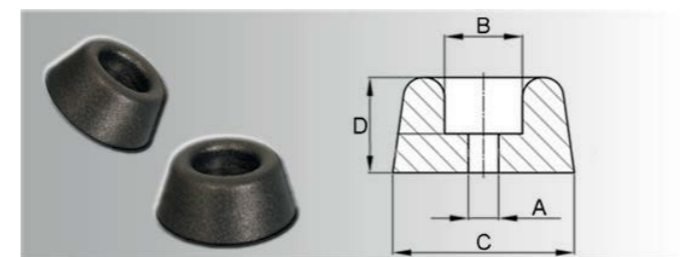


Easy to fix with screws or nails.  
For mounting at door fittings, sliding doors etc.

Material: PVC  
Colour: black

Part no.	A	B	C	D	Part no.	A	B	C	D
0660200	4,1	11	20	23	0660300	6,5	14	29	25
0660250	5,1	11	25	24	0660301	7,5	12	31	25

Buffers | Buffers



Secure hold by means of screwing. Low stack height and plain, clean surface.

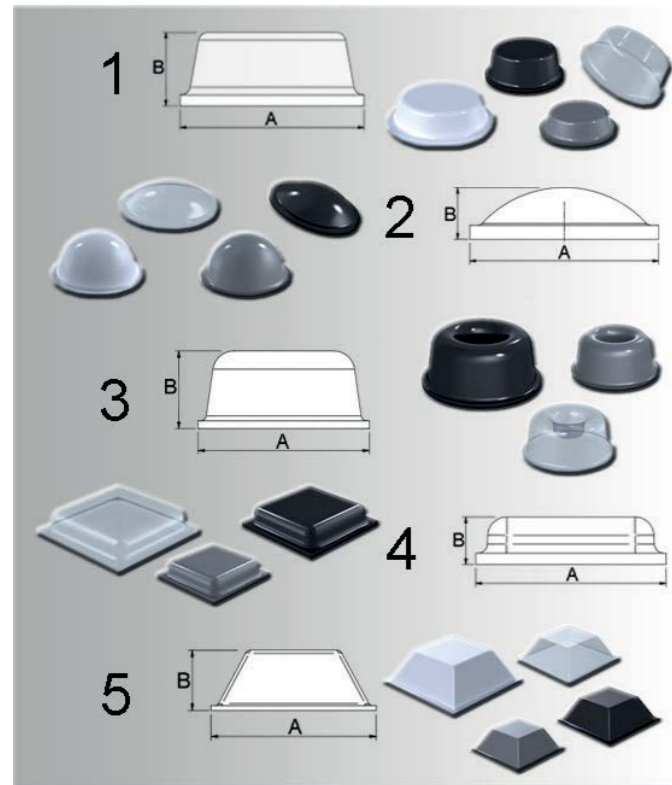
Material: PVC / \* = PE / + = TPG  
Colours:  
Last digits 114 = black  
Last digits 113 = white

Part no.	A	B	C	D	Part no.	A	B	C	D
0480015113	3,2	6,0	15,0	7,5	0480025113	4,3	10,0	25,0	12,5
0480015114	3,2	6,0	15,0	7,5	0480025114	4,3	10,0	25,0	12,5
0480020113	4,3	8,0	20,0	10,0	0480030113	5,3	12,0	30,0	15,0
0480020114	4,3	8,0	20,0	10,0	0480030114	5,3	12,0	30,0	15,0

Part no.	A	B	C	D
0481500114	2,5	6,0	13,0	6,6
0481700114*	4,0	7,5	17,5	9,3
0482000113	4,0	9,0	19,0	10,2
0482000114	4,0	9,0	19,0	10,2
0482013114	4,0	9,0	19,0	13,0

Part no.	A	B	C	D
0482014114+	4,7	9,5	19,8	11,6
0482500114	2,0	9,5	24,0	10,3
0483000113	5,3	13,5	29,0	12,0
0483000114	5,3	13,5	29,0	12,0

Buffers | Adhesive bumpers



Anti-slip and abrasion-proof. Heat-proof up to approx. 65°C.  
The surface to be glued on has to be free of dust and grease, and must be even and dry.  
The optimal sticking temperature is between +18°C and +25°C.

Material: plasticised PVC / polyurethane  
Colours:  
without last digits = black  
last digits 000 = transparent  
last digits 002 = grey  
last digits 500 = white

X = type  
C = quantity of bumpers per card

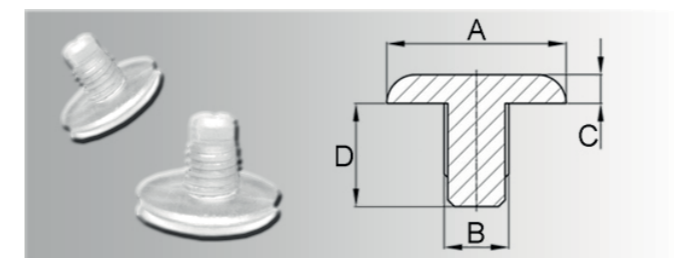
Part no.	A	B	X	C
1172006000	6,4	1,9	2	561
1172079	7,9	2,5	2	392
1172079000	7,9	2,5	2	392
1172816000	8,0	1,6	2	420
1172008	8,0	2,1	2	392
1170012000	8,0	2,2	2	392
1170017	8,0	2,8	1	56
1172075	8,0	3,0	1	288
1172075000	8,0	3,0	1	288
1170020000	9,5	3,8	2	48
1172100000	10,0	2,5	5	242
1172100002	10,0	2,5	5	242

Part no.	A	B	X	C
1172010	10,0	3,1	2	288
1172010000	10,0	3,1	2	288
1172010002	10,0	3,1	2	288
1172104	10,0	4,0	1	242
1172104000	10,0	4,0	1	242
1172120	10,1	1,8	1	288
1172120000	10,1	1,8	1	288
1172100	10,1	2,5	5	242
1170022	10,2	2,5	4	54
1170004	11,0	5,0	2	50
1172115	11,1	5,0	2	242
1172115000	11,1	5,0	2	242

Part no.	A	B	X	C
1172115002	11,1	5,0	2	242
1172115500	11,1	5,0	2	242
1172126	12,6	5,7	5	200
1172126000	12,6	5,7	5	200
1172126002	12,6	5,7	5	200
1170001	12,7	1,5	1	200
1172122	12,7	1,8	1	200
1172122000	12,7	1,8	1	200
1170013	12,7	3,1	4	80
1172127	12,7	3,1	5	200
1172127000	12,7	3,1	5	200
1172127002	12,7	3,1	5	200
1172125	12,7	3,5	1	200
1172125000	12,7	3,5	1	200
1172125002	12,7	3,5	1	200
1172125500	12,7	3,5	1	200
1170014	12,7	5,8	5	25
1172014	14,0	4,5	1	128
1172014000	14,0	4,5	1	128
1172014002	14,0	4,5	1	128
1172150	16,0	7,9	2	128
1172150000	16,0	7,9	2	128
1172150002	16,0	7,9	2	128
1172150500	16,0	7,9	2	128
1172164	16,5	10,2	1	128

Part no.	A	B	X	C
1172164000	16,5	10,2	1	128
1172191	19,0	1,9	1	98
1172191000	19,0	1,9	1	98
1172024	19,0	4,0	1	84
1172024002	19,0	4,0	1	84
1172019	19,0	6,0	1	84
1172019000	19,0	6,0	1	84
1172190	19,0	9,5	2	98
1172190000	19,0	9,5	2	98
1172190002	19,0	9,5	2	98
1172204	19,7	3,0	1	84
1172204000	19,7	3,0	1	84
1172204002	19,7	3,0	1	84
1170019	20,0	5,0	1	84
1172020	20,0	6,2	1	84
1172205	20,5	7,5	5	78
1172205000	20,5	7,5	5	78
1172205002	20,5	7,5	5	78
1172205500	20,5	7,5	5	78
1170006	22,22	12,6	3	36
1172210	22,3	10,1	3	72
1172210000	22,3	10,1	3	72
1172210002	22,3	10,1	3	72

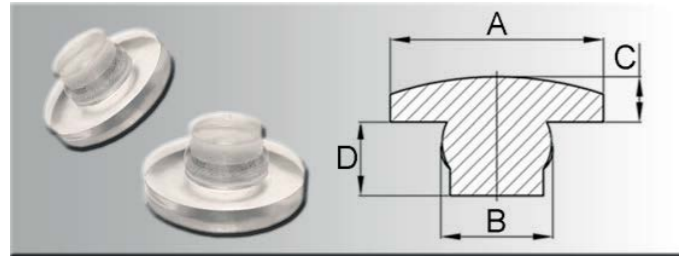
Glass buffers | convex



Material: plasticised PVC  
Colour: transparent

Part no.	A	B	C	D
0700120	12	4,2	2	7

Glass buffers | concave

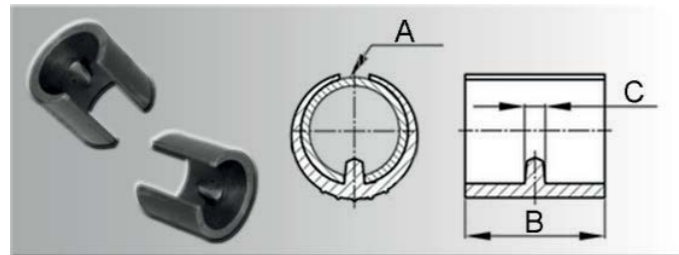


Material: plasticised PVC  
 Colour: transparent  
 (\* = without bead)

Part no.	A	B	C	D
0690080*	8	4	2,5	6,0
0690140	14	8	3,0	7,0

Part no.	A	B	C	D
0690160	16	8	2,7	5,5

Saddle feet | type 147



Protection for floors etc., easy to mount without tools.

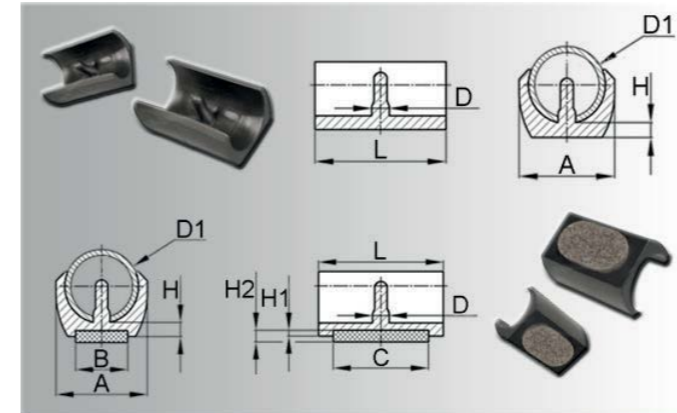
Material: PE  
 Colours:  
 Last digits 699 = black  
 Last digits 600 = white

Part no.	A	B	C
1470150600	14-16	20	5,5
1470150699	14-16	20	5,5
1470170600	16-18	20	5,5
1470170699	16-18	20	5,5

Part no.	A	B	C
1470190600	18-20	20	5,5
1470190699	18-20	20	5,5
1470210600	20-22	20	5,5
1470210699	20-22	20	5,5

Part no.	A	B	C
1470250600	24-26	25	5,5
1470250699	24-26	25	5,5
1470290600	28-30	30	7,5
1470290699	28-30	30	7,5

Saddle feet | type 347



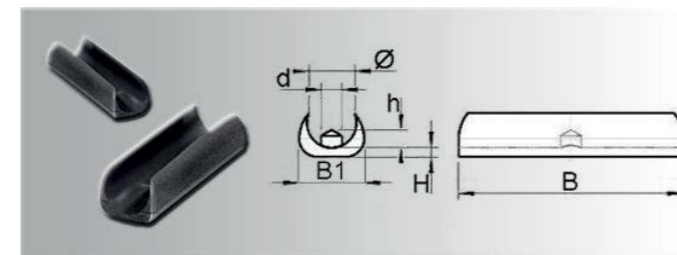
Saddle feet  
 Material: PE  
 Colour: black - white and natural on request

Saddle feet with felt  
 last digit F = with welded felt  
 Material: PA 6  
 Colour: black - natural on request

Prices for special colours, different dimensions or larger quantities on written request!

Part no.	A	B	C	D	D1	L	H	H1	H2
3470001	17,0	-	-	0	8	24	4,0	-	-
3470002	19,5	-	-	0	10	30	4,5	-	-
3470003	20,0	-	-	5,0	14	26	3,5	-	-
3470004	23,5	-	-	5,7	18-20	30	4,5	-	-
3470005	25,5	-	-	5,7	20-22	30	5,0	-	-
3470006F	26,5	15	25	5,6	21-22	30	4,0	2	4
3470007	28,0	-	-	5,7	23-25	45	5,0	-	-
3470008F	29,5	17	31	5,6	24-25	42	5,0	2	4
3470009	32,5	-	-	5,7	28-30	45	5,0	-	-

Saddle feet | type 447



Material: PP  
 Colour: black - natural on request  
 last digit F = with welded felt

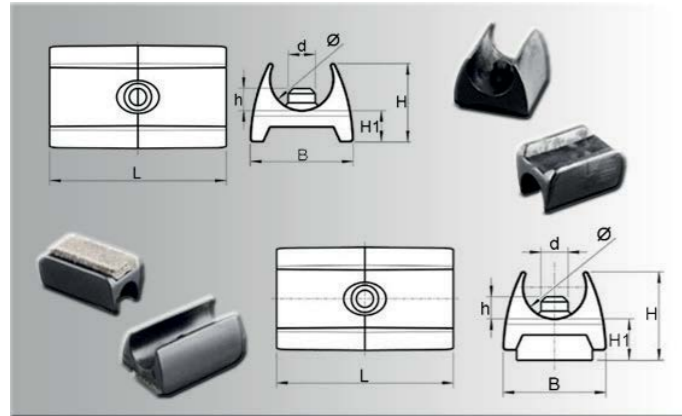
Prices for special colours, different dimensions or larger quantities on written request!

Part no.	B	B1	d	h	H	Ø
4470001	50	13	3,8	2,5	3	10-11
4470001F	50	13	3,8	2,5	4	10-11
4470002	50	13	4,5	2,5	3	12-13
4470002F	50	13	4,5	2,5	4	12-13

Part no.	B	B1	d	h	H	Ø
4470003	50	13	4,5	2,5	3	13-14
4470003F	50	13	4,5	2,5	4	13-14
4470004	50	13	4,5	2,5	3	15-16
4470004F	50	13	4,5	2,5	4	15-16



Saddle feet | type 547

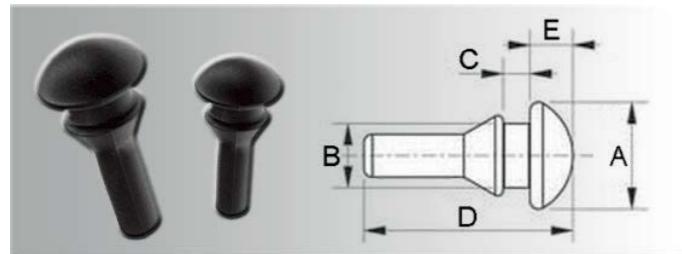


Material: PP  
Colour: black - natural on request  
last digit F = with welded felt

Prices for special colours, different dimensions or larger quantities on written request!

Part no.	L	B	H	H1	d	h	∅
5470001	28	16,5	12,5	5	4,3	3,5	10-11
5470001F	28	16,5	12,5	6	4,3	3,5	10-11
5470002	28	20,0	15,0	6	4,9	4,0	12-13
5470002F	28	20,0	15,0	7	4,9	4,0	12-13
5470003	28	23,0	18,0	7	4,9	4,2	14-15
5470003F	28	23,0	18,0	8	4,9	4,2	14-15
5470004	28	26,0	20,0	8	5,8	4,6	15-16
5470004F	28	26,0	20,0	9	5,8	4,6	15-16

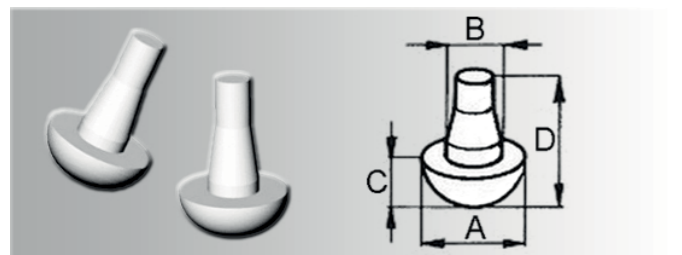
Plug-in feet | PVC black



Material: plasticised PVC  
Colour: black

Part no.	A	B	C	D	E
0470600	10	6	4	19,5	4

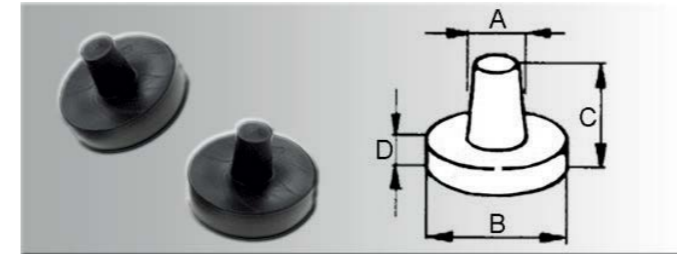
Plug-in feet | plasticised PVC



Material: plasticised PVC  
Colour: natural

Part no.	A	B	C	D
0491000	9	4,2	3,5	13

Plug-in feet | conical

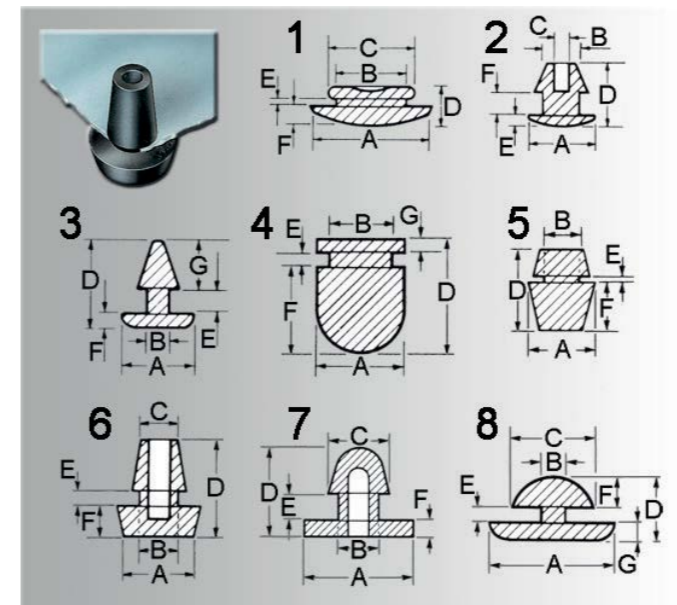


Material: PVC  
Colour: black

Part no.	A	B	C	D
0490800	3	8	10	3
0491200	4	12	10	3

Part no.	A	B	C	D
0491300	5	13	13	3
0491600	5	16	10	4

Plug-in feet | Grommet feet



Appropriate for mounting in metal and plastic cases. Easy to fit by hand: simply push into punched or drilled holes.

X = type

Material: PVC  
Colour: black

Part no.	X	A	B	C	D	E	F	G
1870041	3	7,9	3,7	-	7,0	1,6	2,4	3,0
1870032	3	7,9	3,2	-	8,3	3,2	1,6	3,5
1870021	2	10,3	4,5	2,2	7,6	1,6	2,0	-
1870061	5	10,9	6,9	-	12,8	0,7	8,1	-
1870062	6	12,0	6,0	5,8	15,2	2,1	4,6	-

1870012	1	15,4	9,8	12,7	7,0	1,6	2,7	-
1870031	2	15,8	6,8	4,0	9,7	1,5	5,0	-
1870081	8	17,5	11,1	13,3	10,0	2,6	4,0	4,0
1870011	1	19,0	12,0	13,1	6,5	0,8	3,2	-
1870013	1	19,0	12,8	15,9	7,5	1,6	3,2	-
1870071	7	25,3	12,5	15,3	20,0	5,0	4,0	-

## Vibration-damping elements

### Rubber and steel or stainless steel

#### BASE

- **DVA:** zinc-plated steel.
- **DVA-SST:** AISI 304 stainless steel.

#### VIBRATION-DAMPING BODY

Natural rubber NR, hardness 40, 55, 70 tolerance ±5 Shore A, black colour.

#### STANDARD EXECUTIONS

- **DVA.1:** zinc-plated steel threaded studs.
- **DVA.1-SST:** AISI 304 stainless steel threaded studs.
- **DVA.2:** threaded stud and boss in glossy zinc-plated steel, threaded blind hole.
- **DVA.2-SST:** threaded stud and boss in AISI 304 stainless steel, threaded blind hole.
- **DVA.3:** zinc-plated steel bosses, threaded blind holes.
- **DVA.3-SST:** AISI 304 stainless steel bosses, threaded blind holes.

#### FEATURES AND APPLICATIONS

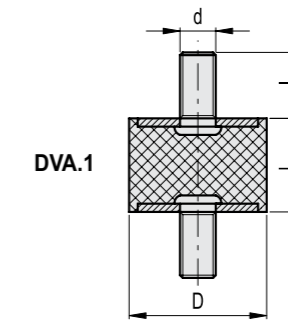
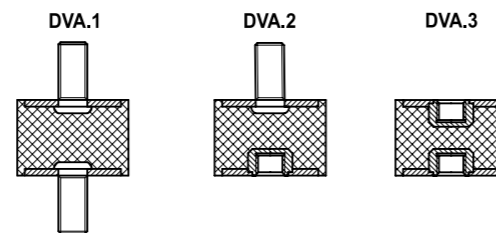
The vibration-damping elements have been designed to damp vibrations, shocks and noises produced by moving bodies or non-balanced vibrating masses of equipment and machines which can cause:

- malfunctioning and reduction of the machine lifespan and/or of the adjacent ones;
- damage to health;
- noise.

Load diagrams for each single code are available on request. See technical data and guidelines for the choice on page A53.

#### SPECIAL EXECUTIONS ON REQUEST

Natural rubber NR, hardness 40, 70 tolerance ±5 Shore A for executions with AISI 304 stainless steel base.



\* Complete the description with the desired hardness: 40, 55 or 70 tolerance ±5 Shore A.

DVA.1 - 8 - 8 - M3 - 6 - 55  
 D L d I Shore A

Description	D	L	d	I	△	Hardness 40 Shore A			Hardness 55 Shore A			Hardness 70 Shore A					
						Code	Max load [N]	Max deflection [mm]	Stiffness [N/mm]	Code	Max load [N]	Max deflection [mm]	Stiffness [N/mm]	Code	Max load [N]	Max deflection [mm]	Stiffness [N/mm]
DVA.1-8-8-M3-6-*	8	8	M3	6	1	413801	50	2	25	411101	85	2	43	416501	150	2	75
DVA.1-8-13-M3-6-*	8	13	M3	6	2	413803	62	3	19	411003	94	3	29	416503	133	3	41
DVA.1-10-10-M4-10-*	10	10	M4	10	2	413811	75	3	30	411121	100	3	40	416511	200	3	80
DVA.1-10-15-M4-10-*	10	15	M4	10	3	413821	65	4	17	411131	100	4	26	416521	150	4	40
DVA.1-10-20-M4-10-*	10	20	M4	10	3	413823	59	5	12	411133	93	5	19	416523	96	5	19
DVA.1-15-8-M4-10-*	15	8	M4	10	5	413831	437	2	219	411141	537	2	269	416531	1325	2	663
DVA.1-15-10-M4-10-*	15	10	M4	10	6	413841	210	3	84	411151	325	3	130	416541	717	3	287
DVA.1-15-15-M4-10-*	15	15	M4	10	7	413851	155	4	41	411161	280	4	75	416551	513	4	137
DVA.1-15-20-M4-10-*	15	20	M4	10	8	413861	151	5	30	411171	234	5	47	416561	468	5	94
DVA.1-15-25-M4-10-*	15	25	M4	10	9	413863	133	6	21	411019	234	6	37	411173	498	6	80
DVA.1-20-15-M6-18-*	20	15	M6	18	18	413871	322	4	86	411181	479	4	128	416571	1044	4	278
DVA.1-20-20-M6-18-*	20	20	M6	18	25	413881	220	5	44	411201	430	5	86	416581	995	5	199
DVA.1-20-25-M6-18-*	20	25	M6	18	20	413891	264	6	42	411211	433	6	69	416591	1010	6	162
DVA.1-20-30-M6-18-*	20	30	M6	18	23	413893	214	8	29	411213	417	8	56	416593	978	8	130
DVA.1-25-15-M6-18-*	25	15	M6	18	28	413901	860	4	229	411221	1068	4	285	416601	2690	4	717
DVA.1-25-20-M6-18-*	25	20	M6	18	31	413911	391	5	78	411241	620	5	124	416611	1533	5	307
DVA.1-25-25-M6-18-*	25	25	M6	18	35	413921	441	6	71	411261	529	6	85	416621	1374	6	220
DVA.1-25-30-M6-18-*	25	30	M6	18	38	413931	432	8	58	411271	524	8	70	416631	1208	8	161
DVA.1-30-15-M8-20-*	30	15	M8	20	45	413941	986	4	263	411281	2080	4	555	416641	3300	4	880
DVA.1-30-20-M8-20-*	30	20	M8	20	50	413951	770	5	154	411301	1067	5	213	416651	2260	5	452
DVA.1-30-30-M8-20-*	30	30	M8	20	57	413961	500	8	67	411321	1055	8	141	416661	1960	8	261
DVA.1-30-40-M8-20-*	30	40	M8	20	65	413963	649	10	65	411323	932	10	93	416663	2000	10	200
DVA.1-40-20-M8-23-*	40	20	M8	23	80	413971	1800	5	360	411331	2430	5	486	416671	4450	5	890
DVA.1-40-30-M8-23-*	40	30	M8	23	95	413981	1137	8	152	411341	1574	8	210	416681	3420	8	456
DVA.1-40-40-M8-23-*	40	40	M8	23	100	413991	1056	10	106	411361	1397	10	140	416691	3190	10	319
DVA.1-50-20-M10-28-*	50	20	M10	28	130	414001	3030	5	606	411381	4100	5	820	416701	9240	5	1848
DVA.1-50-30-M10-28-*	50	30	M10	28	184	414011	2010	8	268	411401	3300	8	440	416711	5450	8	727
DVA.1-50-40-M10-28-*	50	40	M10	28	170	414021	1477	10	148	411421	2130	10	213	416721	4940	10	494
DVA.1-50-45-M10-28-*	50	45	M10	28	180	414031	1368	11	122	411441	2046	11	182	416731	2580	11	229
DVA.1-50-50-M10-28-*	50	50	M10	28	195	414041	1500	13	120	411446	2188	13	175	416741	4750	13	380
DVA.1-60-30-M10-28-*	60	30	M10	28	211	414051	3020	8	403	411451	4170	8	556	416751	9130	8	1217
DVA.1-60-40-M10-28-*	60	40	M10	28	236	414061	2520	10	252	411456	3610	10	361	416761	6950	10	695
DVA.1-60-50-M10-28-*	60	50	M10	28	261	414063	2458	13	197	411457	3410	13	273	416763	6570	13	526
DVA.1-70-30-M10-28-*	70	30	M10	28	297	414070	6370	8	849	411460	8570	8	1143	416770	24010	8	3382
DVA.1-70-45-M10-28-*	70	45	M10	28	380	414071	3810	11	339	411461	7130	11	634	416771	13210	11	1174
DVA.1-75-25-M12-37-*	75	25	M12	37	345	414081	11000	6	1760	411471	12970	6	2075	416781	25000	6	4000
DVA.1-75-40-M12-37-*	75	40	M12	37	410	414091	4910	10	491	411481	6970	10	697	416791	15380	10	1538
DVA.1-75-55-M12-37-*	75	55	M12	37	515	414101	3470	14	252	411501	7510	14	546	416801	11240	14	817
DVA.1-100-40-M16-41-*	100	40	M16	41	765	414111	13990	10	1399	411521	20000	10	2000	416811	29000	10	2900
DVA.1-100-55-M16-41-*	100	55	M16	41	905	414121	7320	14	532	411541	13080	14	951	416821	24260	14	1764
DVA.1-100-60-M16-41-*	100	60	M16	41	950	414131	7000	15	467	411561	11290	15	753	416831	28500	15	1900
DVA.1-100-75-M16-41-*	100	75	M16	41	1090	414141	7790	19	415	411581	9640	19	514	416841	22350	19	1192
DVA.1-125-55-M16-41-*	125	55	M16	41	1320	414161	17270	14	1256	411601	19260	14	1401	416901	23610	14	3008
DVA.1-125-75-M16-41-*	125	75	M16	41	1625	414163	12235	19	653	411603	19440	19	1037	416903	21789	19	1162







Vibration-damping elements

Rubber and steel or stainless steel

BASE

- DVA: zinc-plated steel.
- DVA-SST: AISI 304 stainless steel.

VIBRATION-DAMPING BODY

Natural rubber NR, hardness 40, 55, 70 tolerance ±5 Shore A, black colour.

STANDARD EXECUTIONS

- DVA.4: zinc-plated steel threaded stud.
- DVA.4-SST: AISI 304 stainless steel threaded stud.
- DVA.5: zinc-plated steel boss, threaded blind hole.
- DVA.5-SST: AISI 304 stainless steel boss, threaded blind hole.

FEATURES AND APPLICATION

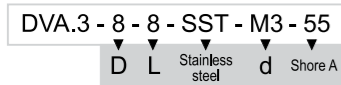
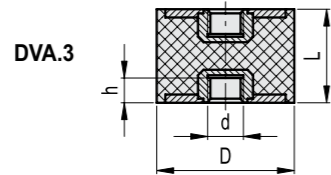
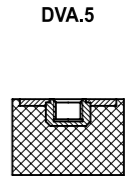
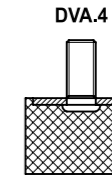
The vibration-damping elements have been designed to damp vibrations, shocks and noises produced by moving bodies or non-balanced vibrating masses of equipment and machines which can cause:

- malfunctioning and reduction of the machine lifespan and/or of the adjacent ones;
- damage to health;
- noise.

Load diagrams for each single code are available on request. See technical data and guidelines for the choice on page A53.

SPECIAL EXECUTIONS ON REQUEST

Natural rubber NR, hardness 40, 70 tolerance ±5 Shore A for executions with AISI 304 stainless steel base.



STAINLESS STEEL

Description	D	L	d	h	△	Hardness 40 Shore A			Hardness 55 Shore A			Hardness 70 Shore A					
						Code	Max load [N]	Max deflection [mm]	Stiffness [N/mm]	Code	Max load [N]	Max deflection [mm]	Stiffness [N/mm]	Code	Max load [N]	Max deflection [mm]	Stiffness [N/mm]
DVA.3-8-8-SST-M3-55	8	8	M3	3	1		50	2	25	410201	85	2	43		150	2	75
DVA.3-8-13-SST-M3-55	8	13	M3	3	2		41	3	13	410203	74	3	23		152	3	47
DVA.3-10-10-SST-M4-55	10	10	M4	4	2		75	3	30	410205	100	3	40		200	3	80
DVA.3-10-15-SST-M4-55	10	15	M4	4	3		65	4	17	410207	100	4	27		150	4	40
DVA.3-10-20-SST-M4-55	10	20	M4	4	3		54	5	11	410209	108	5	22		201	5	40
DVA.3-15-10-SST-M4-55	15	10	M4	4	4		210	2	105	410213	325	2	163		717	2	359
DVA.3-15-15-SST-M4-55	15	15	M4	4	6		155	4	41	410215	280	4	75		513	4	137
DVA.3-15-20-SST-M4-55	15	20	M4	4	8		151	5	30	410217	234	5	47		468	5	94
DVA.3-20-15-SST-M6-55	20	15	M6	6	13		175	2	117	410221	227	2	151		550	2	367
DVA.3-20-20-SST-M6-55	20	20	M6	6	16		220	5	44	410223	430	5	86		995	5	199
DVA.3-20-25-SST-M6-55	20	25	M6	6	19		264	6	42	410225	433	6	69		1010	6	162
DVA.3-25-20-SST-M6-55	25	20	M6	6	26		391	5	78	410231	620	5	124		1533	5	307
DVA.3-25-25-SST-M6-55	25	25	M6	6	29		441	6	71	410233	529	6	85		1374	6	220
DVA.3-25-30-SST-M6-55	25	30	M6	6	25		432	8	58	410237	524	8	70		1208	8	161
DVA.3-30-20-SST-M8-55	30	20	M8	8	39		770	1	1100	410241	1067	1	1524		2260	1	3229
DVA.3-30-30-SST-M8-55	30	30	M8	8	45		500	8	67	410243	1055	8	141		1960	8	261
DVA.3-30-40-SST-M8-55	30	40	M8	8	53		700	10	70	410245	2100	10	210		2400	10	240
DVA.3-40-20-SST-M8-55	40	20	M8	8	64	ON REQUEST	815	3	255	410251	2650	5	530	ON REQUEST	6200	2	2818
DVA.3-40-30-SST-M8-55	40	30	M8	8	80		1137	8	152	410253	1574	8	210		3420	8	456
DVA.3-40-40-SST-M8-55	40	40	M8	8	98		1056	10	106	410255	1397	10	140		3190	10	319
DVA.3-50-30-SST-M10-55	50	30	M10	10	125		2010	8	268	410263	3300	8	440		5450	8	727
DVA.3-50-40-SST-M10-55	50	40	M10	10	150		1477	10	148	410265	2130	10	213		4940	10	494
DVA.3-50-50-SST-M10-55	50	50	M10	10	125		1500	11	133	410269	2188	11	194		4750	11	422
DVA.3-60-30-SST-M10-55	60	30	M10	10	189		3020	8	403	410271	4170	8	556		9130	8	1217
DVA.3-60-40-SST-M10-55	60	40	M10	10	220		2520	10	252	410273	3610	10	361		6950	10	695
DVA.3-60-50-SST-M10-55	60	50	M10	10	310		2930	13	234	410275	3410	13	273		7125	13	570
DVA.3-70-30-SST-M10-55	70	30	M10	10	305		3168	4	792	410276	4900	4	1225		7250	3	2417
DVA.3-70-45-SST-M10-55	70	45	M10	10	335		3810	11	339	410277	7130	11	624		13210	11	1174
DVA.3-75-30-SST-M12-55	75	30	M12	12	320		6880	3	2293	410281	9895	3	3192		25000	5	5000
DVA.3-75-40-SST-M12-55	75	40	M12	12	360		4910	10	491	410283	6970	10	697		15380	10	1538
DVA.3-75-55-SST-M12-55	75	55	M12	12	445		3470	14	252	410285	7510	14	546		11240	14	817
DVA.3-100-40-SST-M16-55	100	40	M16	16	690		13990	10	1399	410291	20000	10	2000		29000	10	2900
DVA.3-100-55-SST-M16-55	100	55	M16	16	765		7320	14	532	410293	13080	14	951		24260	14	1764
DVA.3-100-60-SST-M16-55	100	60	M16	16	885		7000	15	467	410295	11290	15	753		28500	15	1900
DVA.3-100-75-SST-M16-55	100	75	M16	16	965		7790	19	415	410297	9640	19	514		22350	19	1192
DVA.3-125-55-SST-M16-55	125	55	M16	16	1320		18240	14	1327	410298	19260	14	1401		25000	8	3185
DVA.3-125-75-SST-M16-55	125	75	M16	16	1500		13380	19	714	410299	19440	19	1037		23751	19	1267







## Vibration-damping elements

### Rubber and steel or stainless steel

#### BASE

- **DVA:** zinc-plated steel.
- **DVA-SST:** AISI 304 stainless steel.

#### VIBRATION-DAMPING BODY

Natural rubber NR, hardness 40, 55, 70 tolerance ±5 Shore A, black colour.

#### STANDARD EXECUTIONS

- **DVA.6:** zinc-plated steel threaded stud.
- **DVA.6-SST:** AISI 304 stainless steel threaded stud.
- **DVA.7:** zinc-plated steel boss, threaded blind hole.
- **DVA.7-SST:** AISI 304 stainless steel boss, threaded blind hole.

#### FEATURES AND APPLICATIONS

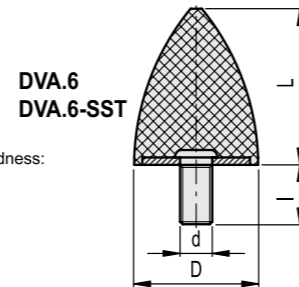
The vibration-damping elements have been designed to damp vibrations, shocks and noises produced by moving bodies or non-balanced vibrating masses of equipment and machines which can cause:

- malfunctioning and reduction of the machine lifespan and/or of the adjacent ones;
- damage to health;
- noise.

Load diagrams for each single code are available on request. See technical data and guidelines for the choice on page A53.

#### SPECIAL EXECUTIONS ON REQUEST

Natural rubber NR, hardness 40, 70 tolerance ±5 Shore A for executions with AISI 304 stainless steel base.



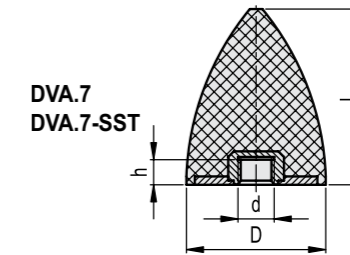
\* Complete the description with the desired hardness: 40, 55 or 70 tolerance ±5 Shore A.

DVA.6 - 20 - 24 - M6 - 18 - 55  
D L d h Shore A

Description	D	L	d	h	⚖	Hardness 40 Shore A				Hardness 55 Shore A				Hardness 70 Shore A			
						Code	Max load [N]	Max deflection [mm]	Stiffness [N/mm]	Code	Max load [N]	Max deflection [mm]	Stiffness [N/mm]	Code	Max load [N]	Max deflection [mm]	Stiffness [N/mm]
DVA.6-10-10-M5-12*	10	10	M5	12	2	416991	46	3	14	413381	59	3	20	418791	113	3	40
DVA.6-20-15-M6-18*	20	15	M6	18	9	416997	84	5	17	413397	194	4	48	418797	321	4	78
DVA.6-20-24-M6-18*	20	24	M6	18	10	416101	82	6	14	413401	130	6	22	418801	330	6	55
DVA.6-25-20-M6-18*	25	20	M6	18	15	416107	84	5	17	413407	190	5	38	418807	495	5	96
DVA.6-30-30-M8-18*	30	30	M8	18	24	416111	190	8	25	413411	260	8	35	418811	630	8	84
DVA.6-30-36-M8-20*	30	36	M8	20	39	416121	180	9	20	413421	320	9	36	418821	650	9	72
DVA.6-35-40-M8-23*	35	40	M8	23	45	416131	260	10	26	413431	300	10	30	418831	630	10	63
DVA.6-50-50-M10-28*	50	50	M10	28	110	416137	481	13	38	413437	740	13	59	418837	1656	13	132
DVA.6-50-61-M8-28*	50	61	M8	28	114	416141	490	15	32	413441	600	15	39	418841	1520	15	100
DVA.6-50-68-M10-28*	50	68	M10	28	131	416151	490	17	29	413451	890	17	52	418851	1950	17	115
DVA.6-70-58-M12-37*	70	58	M12	37	258	416171	769	15	53	413471	1332	15	92	418871	1923	15	133
DVA.6-75-89-M12-37*	75	89	M12	37	373	416181	971	22	44	413481	1680	22	76	418881	2328	22	105

STAINLESS STEEL

Description	D	L	d	h	⚖	Hardness 40 Shore A				Hardness 55 Shore A				Hardness 70 Shore A			
						Code	Max load [N]	Max deflection [mm]	Stiffness [N/mm]	Code	Max load [N]	Max deflection [mm]	Stiffness [N/mm]	Code	Max load [N]	Max deflection [mm]	Stiffness [N/mm]
DVA.6-10-10-SST-M5-12-55	10	10	M5	12	2		46	3	14	410499	59	3	20		113	3	40
DVA.6-20-15-SST-M6-18-55	20	15	M6	18	9		84	5	17	410500	194	4	48		321	4	78
DVA.6-20-24-SST-M6-18-55	20	24	M6	18	10		82	6	14	410501	130	6	22		330	6	55
DVA.6-25-20-SST-M6-18-55	25	20	M6	18	15		84	5	17	410503	190	5	38		495	5	96
DVA.6-30-30-SST-M8-18-55	30	30	M8	18	24		190	8	25	410505	260	8	35		630	8	84
DVA.6-30-36-SST-M8-20-55	30	36	M8	20	39		180	9	20	410507	320	9	36		650	9	72
DVA.6-35-40-SST-M8-23-55	35	40	M8	23	45		260	10	26	410511	300	10	30		630	10	63
DVA.6-50-50-SST-M10-28-55	50	50	M10	28	110		481	13	38	410519	740	13	59		1656	13	132
DVA.6-50-61-SST-M8-28-55	50	61	M8	28	114		490	15	32	410521	600	15	39		1520	15	100
DVA.6-50-68-SST-M10-28-55	50	68	M10	28	131		490	17	29	410523	890	17	52		1950	17	115
DVA.6-70-58-SST-M12-37-55	70	58	M12	37	258		769	15	53	410551	1332	15	92		1923	15	133
DVA.6-75-89-SST-M12-37-55	75	89	M12	37	373		971	22	44	410561	1680	22	76		2328	22	105



\* Complete the description with the desired hardness: 40, 55 or 70 tolerance ±5 Shore A.

DVA.7 - 20 - 24 - M6 - 55  
D L d Shore A

Description	D	L	d	h	⚖	Hardness 40 Shore A				Hardness 55 Shore A				Hardness 70 Shore A			
						Code	Max load [N]	Max deflection [mm]	Stiffness [N/mm]	Code	Max load [N]	Max deflection [mm]	Stiffness [N/mm]	Code	Max load [N]	Max deflection [mm]	Stiffness [N/mm]
DVA.7-10-10-M5*	10	10	M5	5	2	416271	46	3	14	413571	59	3	20	418971	113	3	40
DVA.7-20-15-M6*	20	15	M6	6	7	416297	84	5	17	413597	194	4	48	418997	321	4	78
DVA.7-20-24-M6*	20	24	M6	6	8	416301	82	6	14	413601	130	6	22	419001	330	6	55
DVA.7-25-20-M6*	25	20	M6	6	15	416307	84	5	17	413607	190	5	38	419007	495	5	96
DVA.7-30-30-M8*	30	30	M8	8	28	416311	190	8	25	413611	260	8	35	419011	630	8	84
DVA.7-30-36-M8*	30	36	M8	8	30	416321	180	9	20	413621	320	9	36	419021	650	9	72
DVA.7-35-40-M8*	35	40	M8	8	43	416331	260	10	26	413631	300	10	30	419031	630	10	63
DVA.7-50-50-M10*	50	50	M10	10	100	416337	481	13	38	413637	835	13	67	419037	1147	13	92
DVA.7-50-61-M8*	50	61	M8	8	114	416341	490	15	32	413641	600	15	39	419041	1520	15	100
DVA.7-50-68-M10*	50	68	M10	10	120	416351	490	17	29	413651	890	17	52	419051	1950	17	115
DVA.7-70-58-M12*	70	58	M12	12	230	416371	890	15	61	413671	1390	15	96	419071	1923	15	133
DVA.7-75-89-M12*	75	89	M12	12	373	416381	971	22	44	413681	1675	22	75	419081	2328	22	105

DVA.7 - 20 - 24 - SST - M6 - 55  
D L Stainless steel d Shore A

STAINLESS STEEL

Description	D	L	d	h	⚖	Hardness 40 Shore A				Hardness 55 Shore A				Hardness 70 Shore A			
						Code	Max load [N]	Max deflection [mm]	Stiffness [N/mm]	Code	Max load [N]	Max deflection [mm]	Stiffness [N/mm]	Code	Max load [N]	Max deflection [mm]	Stiffness [N/mm]
DVA.7-10-10-SST-M5-55	10	10	M5	5	2		46	3	14	410581	59	3	20		113	3	40
DVA.7-20-15-SST-M6-55	20	15	M6	6	7		84	5	17	410597	194	4	48		321	4	78
DVA.7-20-24-SST-M6-55	20	24	M6	6	8		82	6	14	410601	130	6	22		330	6	55
DVA.7-25-20-SST-M6-55	25	20	M6	6	15		84	5	17	410606	190	5	38		495	5	96
DVA.7-30-30-SST-M8-55	30	30	M8	8	28		190	8	25	410611	260	8	35		630	8	84
DVA.7-30-36-SST-M8-55	30	36	M8	8	30		180	9	20	410613	320	9	36		650	9	72
DVA.7-35-40-SST-M8-55	35	40	M8	8	43		260	10	26	410621	300	10	30		630	10	63
DVA.7-50-50-SST-M10-55	50	50	M10	10	100		481	13	38	410627	835	13	67		1147	13	92
DVA.7-50-61-SST-M8-55	50	61	M8	8	114		490	15	32	410631	600	15	39		1520	15	100
DVA.7-50-68-SST-M10-55	50	68	M10	10	120		490	17	29	410633	890	17	52		1950	17	115
DVA.7-70-58-SST-M12-55	70	58	M12	12	230		890	15	61	410651	1390	15	96		1923	15	133
DVA.7-75-89-SST-M12-55	75	89	M12	12	373		971	22	44	410661	1675	22	75		2328	22	105



## Vibration-damping elements

Rubber and steel or stainless steel

### VIBRATION-DAMPING BODY

Natural rubber NR, black colour.  
Hardness 40, 55, 70 Shore A ±5.

### STANDARD EXECUTIONS

- **DVB.6**: zinc-plated steel plate and threaded stud.
- **DVB.6-SST**: AISI 304 stainless steel plate and threaded stud.
- **DVB.7**: zinc-plated steel plate and boss, threaded blind hole.
- **DVB.7-SST**: AISI 304 stainless steel plate and boss, threaded blind hole.

### FEATURES AND APPLICATIONS

DVB. vibration-damping elements have been designed to damp vibrations, shocks and noises produced by moving bodies or non-balanced vibrating masses of equipment and machines.

DVB elements are generally used as a bumper or as a limit stop for the absorption of vibrations.

Vibrations can cause:

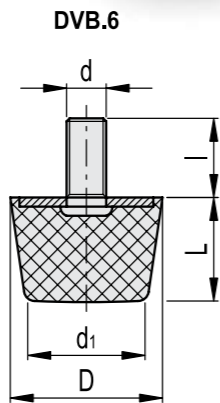
- malfunctioning and reduction of the machine lifespan and/or of the adjacent ones;
- damage to operator's health;
- noise.

Load diagrams for each single code are available on request.

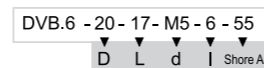
See technical data and guidelines for the choice on page A53

### SPECIAL EXECUTIONS ON REQUEST

Natural rubber NR, hardness 40, 70 Shore A ±5 for the executions with AISI 304 stainless steel base.

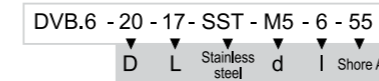
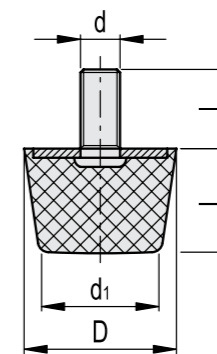


\* Complete the description with the desired hardness: 40, 55 or 70 tolerance ±5 Shore A.



Description	D	L	d	d <sub>1</sub>	I	Hardness 40 Shore A				Hardness 55 Shore A				Hardness 70 Shore A				
						Code	Max load [N]	Max deflection [mm]	Stiffness [N/mm]	Code	Max load [N]	Max deflection [mm]	Stiffness [N/mm]	Code	Max load [N]	Max deflection [mm]	Stiffness [N/mm]	
DVB.6-20-17-M5-6-*	20	17	M5	10	6	10	432201	358	4.25	84	432001	407	4.25	96	432401	468	4.25	110
DVB.6-20-17-M5-10-*	20	17	M5	10	10	12	432202	358	4.25	84	432002	407	4.25	96	432402	468	4.25	110
DVB.6-20-17-M5-20-*	20	17	M5	10	20	16	432203	358	4.25	84	432003	407	4.25	96	432403	468	4.25	110
DVB.6-20-17-M6-12-*	20	17	M6	10	12	13	432211	358	4.25	84	432011	407	4.25	96	432411	468	4.25	110
DVB.6-20-17-M6-18-*	20	17	M6	10	18	17	432212	358	4.25	84	432012	407	4.25	96	432412	468	4.25	110
DVB.6-20-17-M6-25-*	20	17	M6	10	25	21	432213	358	4.25	84	432013	407	4.25	96	432413	468	4.25	110
DVB.6-25-17-M6-8-*	25	17	M6	19	8	26	432221	261	4.25	61	432021	293	4.25	69	432421	374	4.25	88
DVB.6-25-17-M6-12-*	25	17	M6	19	12	29	432222	261	4.25	61	432022	293	4.25	69	432422	374	4.25	88
DVB.6-25-17-M6-18-*	25	17	M6	19	18	34	432223	261	4.25	61	432023	293	4.25	69	432423	374	4.25	88
DVB.6-25-17-M6-25-*	25	17	M6	19	25	40	432224	261	4.25	61	432024	293	4.25	69	432424	374	4.25	88
DVB.6-32-22-M8-10-*	32	22	M8	24	10	36	432231	492	5.5	89	432031	638	5.5	116	432431	813	5.5	148
DVB.6-32-22-M8-16-*	32	22	M8	24	16	48	432232	492	5.5	89	432032	638	5.5	116	432432	813	5.5	148
DVB.6-32-22-M8-23-*	32	22	M8	24	23	53	432233	492	5.5	89	432033	638	5.5	116	432433	813	5.5	148
DVB.6-32-22-M8-30-*	32	22	M8	24	30	60	432234	492	5.5	89	432034	638	5.5	116	432434	813	5.5	148
DVB.6-38-35-M8-10-*	38	35	M8	30	10	67	432241	840	8.75	96	432041	1117	8.75	128	432441	1432	8.75	164
DVB.6-38-35-M8-16-*	38	35	M8	30	16	72	432242	840	8.75	96	432042	1117	8.75	128	432442	1432	8.75	164
DVB.6-38-35-M8-30-*	38	35	M8	30	30	86	432243	840	8.75	96	432043	1117	8.75	128	432443	1432	8.75	164
DVB.6-38-35-M10-12-*	38	35	M10	30	12	110	432251	840	8.75	96	432051	1117	8.75	128	432451	1432	8.75	164
DVB.6-38-35-M10-20-*	38	35	M10	30	20	128	432252	840	8.75	96	432052	1117	8.75	128	432452	1432	8.75	164
DVB.6-38-35-M10-28-*	38	35	M10	30	28	142	432253	840	8.75	96	432053	1117	8.75	128	432453	1432	8.75	164
DVB.6-38-35-M10-40-*	38	35	M10	30	40	169	432254	840	8.75	96	432054	1117	8.75	128	432454	1432	8.75	164
DVB.6-43-50-M10-12-*	43	50	M10	30	12	86	432261	1027	12.5	82	432061	1523	12.5	122	432461	2009	12.5	161
DVB.6-43-50-M10-20-*	43	50	M10	30	20	111	432262	1027	12.5	82	432062	1523	12.5	122	432462	2009	12.5	161
DVB.6-43-50-M10-28-*	43	50	M10	30	28	147	432263	1027	12.5	82	432063	1523	12.5	122	432463	2009	12.5	161
DVB.6-43-50-M10-40-*	43	50	M10	30	40	172	432264	1027	12.5	82	432064	1523	12.5	122	432464	2009	12.5	161
DVB.6-50-20-M10-12-*	50	20	M10	40	12	84	432271	1843	5	369	432071	2310	5	462	432471	3007	5	601
DVB.6-50-20-M10-20-*	50	20	M10	40	20	108	432272	1843	5	369	432072	2310	5	462	432472	3007	5	601
DVB.6-50-20-M10-28-*	50	20	M10	40	28	144	432273	1843	5	369	432073	2310	5	462	432473	3007	5	601
DVB.6-50-20-M10-40-*	50	20	M10	40	40	165	432274	1843	5	369	432074	2310	5	462	432474	3007	5	601
DVB.6-60-40-M10-12-*	60	40	M10	40	12	90	432281	1652	10	165	432081	2090	10	209	432481	3258	10	326
DVB.6-60-40-M10-20-*	60	40	M10	40	20	115	432282	1652	10	165	432082	2090	10	209	432482	3258	10	326
DVB.6-60-40-M10-28-*	60	40	M10	40	28	151	432283	1652	10	165	432083	2090	10	209	432483	3258	10	326
DVB.6-60-40-M10-40-*	60	40	M10	40	40	176	432284	1652	10	165	432084	2090	10	209	432484	3258	10	326

DVB.6-SST



Description	D	L	d	d <sub>1</sub>	I	Hardness 40 Shore A				Hardness 55 Shore A				Hardness 70 Shore A							
						Code	Max load [N]	Max deflection [mm]	Stiffness [N/mm]	Code	Max load [N]	Max deflection [mm]	Stiffness [N/mm]	Code	Max load [N]	Max deflection [mm]	Stiffness [N/mm]				
DVB.6-20-17-SST-M5-6-55	20	17	M5	10	6	10	358	4.25	84	432601	407	4.25	96	432601	407	4.25	96	432601	407	4.25	96
DVB.6-20-17-SST-M5-10-55	20	17	M5	10	10	12	358	4.25	84	432602	407	4.25	96	432602	407	4.25	96	432602	407	4.25	96
DVB.6-20-17-SST-M5-20-55	20	17	M5	10	20	16	358	4.25	84	432603	407	4.25	96	432603	407	4.25	96	432603	407	4.25	96
DVB.6-20-17-SST-M6-12-55	20	17	M6	10	12	13	358	4.25	84	432611	407	4.25	96	432611	407	4.25	96	432611	407	4.25	96
DVB.6-20-17-SST-M6-18-55	20	17	M6	10	18	17	358	4.25	84	432612	407	4.25	96	432612	407	4.25	96	432612	407	4.25	96
DVB.6-20-17-SST-M6-25-55	20	17	M6	10	25	21	358	4.25	84	432613	407	4.25	96	432613	407	4.25	96	432613	407	4.25	96
DVB.6-25-17-SST-M6-8-55	25	17	M6	19	8	26	261	4.25	61	432621	293	4.25	69	432621	293	4.25	69	432621	293	4.25	69
DVB.6-25-17-SST-M6-12-55	25	17	M6	19	12	29	261	4.25	61	432622	293	4.25	69	432622	293	4.25	69	432622	293	4.25	69
DVB.6-25-17-SST-M6-18-55	25	17	M6	19	18	34	261	4.25	61	432623	293	4.25	69	432623	293	4.25	69	432623	293	4.25	69
DVB.6-25-17-SST-M6-25-55	25	17	M6	19	25	40	261	4.25	61	432624	293	4.25	69	432624	293	4.25	69	432624	293	4.25	69
DVB.6-32-22-SST-M8-10-55	32	22	M8	24	10	36	492	5.5	89	432631	638	5.5	116	432631	638	5.5	116	432631	638	5.5	116
DVB.6-32-22-SST-M8-16-55	32	22	M8	24	16	48	492	5.5	89	432632	638	5.5	116	432632	638	5.5	116	432632	638	5.5	116
DVB.6-32-22-SST-M8-23-55	32	22	M8	24	23	53	492	5.5	89	432633	638	5.5	116	432633	638	5.5	116	432633	638	5.5	116
DVB.6-32-22-SST-M8-30-55	32	22	M8	24	30	60	492	5.5	89	432634	638	5.5	116	432634	638	5.5	116	432634	638	5.5	116
DVB.6-38-35-SST-M8-10-55	38	35	M8	30	10	67	840	8.75	96	432641	1117	8.75	128	432641	1117	8.75	128	432641	1117	8.75	128
DVB.6-38-35-SST-M8-16-55	38	35	M8	30	16	72	840	8.75	96	432642	1117	8.75	128	432642	1117	8.75	128	432642	1117	8.75	128
DVB.6-38-35-SST-M8-30-55	38	35	M8	30	30	86	840	8.75	96	432643	1117	8.75	128	432643	1117	8.75	128	432643	1117	8.75	128
DVB.6-38-35-SST-M10-12-55	38	35	M10	30	12	110	840	8.75	96	432651	1117	8.75	128	432651	1117	8.75	128	432651	1117	8.75	128
DVB.6-38-35-SST-M10-20-55	38	35	M10	30	20	128	840	8.75	96	432652	1117	8.75	128	432652	1117	8.75	128	432652	1117	8.75	128
DVB.6-38-35-SST-M10-28-55	38	35	M10	30	28	142	840	8.75	96	432653	1117	8.75	128	432653	1117	8.75	128	432653	1117	8.75	128
DVB.6-38-35-SST-M10-40-55	38	35	M10	30	40	169	840	8.75	96	432654	1117	8.75	128	432654	1117	8.75	128	432654	1117	8.75	128
DVB.6-43-50-SST-M10-12-55	43	50	M10	30	12	86	1027	12.5	82	432661	1523	12.5	122	432661	1523	12.5	122	432661	1523	12.5	122
DVB.6-43-50-SST-M10-20-55	43	50	M10	30	20	111	1027	12.5	82	4326											

Vibration-damping elements

Silicone rubber and stainless steel

BASE

AISI 304 stainless steel.

VIBRATION-DAMPING BODY

Silicone rubber (MVQ) RAL 7040 grey colour, in compliance with FDA (U.S. Food and Drug Administration), giving the possibility to use in the food and medical industry.

- Hardness 55 Shore A ±5.
- High resistance to ageing.
- Resistance to high temperatures (up to 200°C) and low temperatures (-50°C).

STANDARD EXECUTIONS

- **DVF.6-SST:** AISI 304 stainless steel threaded stud.
- **DVF.7-SST:** AISI 304 stainless steel boss, threaded blind hole.

FEATURES AND APPLICATIONS

DVF.6 and DVF.7 vibration-damping elements have been designed to damp vibrations, shocks and noises produced by moving bodies or non-balanced vibrating masses of equipment and machines.

DVF.6 and DVF.7 elements are generally used as a bumper or as a limit stop for the absorption of vibrations, and for preventing:

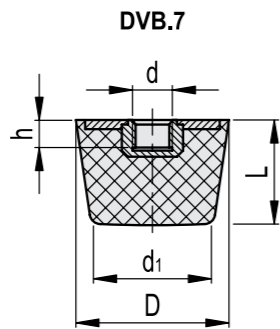
- malfunctioning and reduction of the machine lifespan and/or of the adjacent ones;
- noise and thus also damage to health.

Load diagrams for each single code are available on request.

See technical data and guidelines for the choice on page A53

SPECIAL EXECUTIONS ON REQUEST

Silicone rubber (MVQ) in compliance with FDA, hardness 40, 70 Shore A ±5.



\* Complete the description with the desired hardness: 40, 55 or 70 tolerance ±5 Shore A.

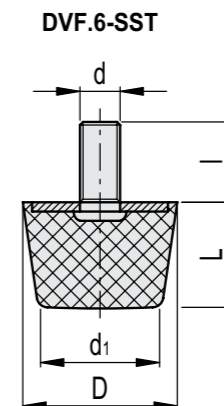
DVB.7 - 20 - 17 - M5 - 55  
D L d Shore A

Description	D	L	d	d1	h	Δ	Hardness 40 Shore A			Hardness 55 Shore A			Hardness 70 Shore A					
							Code	Max load [N]	Max deflection [mm]	Stiffness [N/mm]	Code	Max load [N]	Max deflection [mm]	Stiffness [N/mm]	Code	Max load [N]	Max deflection [mm]	Stiffness [N/mm]
DVB.7-20-17-M5*	20	17	M5	10	5	12	432301	207	4.25	49	432101	253	4.25	60	432501	311	4.25	73
DVB.7-20-17-M6*	20	17	M6	10	6	18	432302	207	4.25	49	432102	253	4.25	60	432502	311	4.25	73
DVB.7-25-17-M6*	25	17	M6	19	6	22	432303	289	4.25	68	432103	358	4.25	84	432503	454	4.25	107
DVB.7-32-22-M8*	32	22	M8	24	8	33	432311	411	5.5	75	432111	506	5.5	92	432511	673	5.5	122
DVB.7-38-35-M8*	38	35	M8	30	8	46	432321	604	8.75	69	432121	893	8.75	102	432521	1104	8.75	126
DVB.7-38-35-M10*	38	35	M10	30	10	56	432331	604	8.75	69	432131	893	8.75	102	432531	1104	8.75	126
DVB.7-43-50-M10*	43	50	M10	30	10	72	432341	1327	12.5	106	432141	2011	12.5	161	432541	3027	12.5	242
DVB.7-50-20-M10*	50	20	M10	40	10	61	432351	2763	5	553	432151	3570	5	714	432551	4875	5	975
DVB.7-60-40-M10*	60	40	M10	40	10	93	432361	1685	10	169	432161	2101	10	210	432561	3231	10	323

DVB.7 - 20 - 17 - SST - M5 - 55  
D L Stainless steel d Shore A

**STAINLESS STEEL**

Description	D	L	d	d1	h	Δ	Hardness 40 Shore A			Hardness 55 Shore A			Hardness 70 Shore A					
							Code	Max load [N]	Max deflection [mm]	Stiffness [N/mm]	Code	Max load [N]	Max deflection [mm]	Stiffness [N/mm]	Code	Max load [N]	Max deflection [mm]	Stiffness [N/mm]
DVB.7-20-17-SST-M5-55	20	17	M5	10	5	12	ON REQUEST	207	4.25	49	432701	253	4.25	60	ON REQUEST	311	4.25	73
DVB.7-20-17-SST-M6-55	20	17	M6	10	6	18		207	4.25	49	432702	253	4.25	60		311	4.25	73
DVB.7-25-17-SST-M6-55	25	17	M6	10	6	22		289	4.25	68	432703	358	4.25	84		454	4.25	107
DVB.7-32-22-SST-M8-55	32	22	M8	24	8	33		411	5.5	75	432711	506	5.5	92		673	5.5	122
DVB.7-38-35-SST-M8-55	38	35	M8	30	8	46		604	8.75	69	432721	893	8.75	102		1104	8.75	126
DVB.7-38-35-SST-M10-55	38	35	M10	30	10	56		604	8.75	69	432731	893	8.75	102		1104	8.75	126
DVB.7-43-50-SST-M10-55	43	50	M10	30	10	72		1327	12.5	106	432741	2011	12.5	161		3027	12.5	242
DVB.7-50-20-SST-M10-55	50	20	M10	40	10	61		2763	5	553	432751	3570	5	714		4875	5	975
DVB.7-60-40-SST-M10-55	60	40	M10	40	10	93		1685	10	169	432761	2101	10	210		3231	10	323



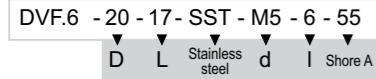
DVF.6 - 20 - 17 - SST - M5 - 6 - 55  
D L Stainless steel d l Shore A

DVF.6-SST

**STAINLESS STEEL**

Code	Description	D	L	d	d1	l	Max. load [N]	Max. deflection [mm]	Stiffness [N/mm]	Δ
432801	DVF.6-20-17-SST-M5-6-55	20	17	M5	10	6	197	4.25	46	14
432802	DVF.6-20-17-SST-M5-10-55	20	17	M5	10	10	197	4.25	46	15
432803	DVF.6-20-17-SST-M5-20-55	20	17	M5	10	20	197	4.25	46	17
432811	DVF.6-20-17-SST-M6-12-55	20	17	M6	10	12	197	4.25	46	16
432812	DVF.6-20-17-SST-M6-18-55	20	17	M6	10	18	197	4.25	46	17
432813	DVF.6-20-17-SST-M6-25-55	20	17	M6	10	25	197	4.25	46	19
432821	DVF.6-25-17-SST-M6-8-55	25	17	M6	19	8	580	4.25	137	18
432822	DVF.6-25-17-SST-M6-12-55	25	17	M6	19	12	580	4.25	137	19
432823	DVF.6-25-17-SST-M6-18-55	25	17	M6	19	18	580	4.25	137	20
432824	DVF.6-25-17-SST-M6-25-55	25	17	M6	19	25	580	4.25	137	21



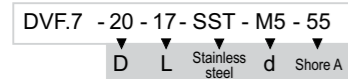
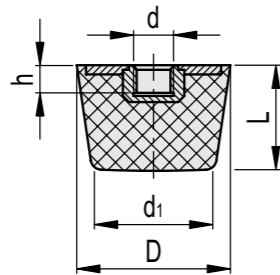


DVF.6-SST

STAINLESS STEEL

Code	Description	D	L	d	d1	l	Max. load [N]	Max. deflection [mm]	Stiffness [N/mm]	⚖
432831	DVF.6-32-22-SST-M8-10-55	32	22	M8	24	10	751	5.5	137	30
432832	DVF.6-32-22-SST-M8-16-55	32	22	M8	24	16	751	5.5	137	32
432833	DVF.6-32-22-SST-M8-23-55	32	22	M8	24	23	751	5.5	137	35
432834	DVF.6-32-22-SST-M8-30-55	32	22	M8	24	30	751	5.5	137	37
432841	DVF.6-38-35-SST-M8-10-55	38	35	M8	30	10	1311	8.75	150	70
432842	DVF.6-38-35-SST-M8-16-55	38	35	M8	30	16	1311	8.75	150	74
432843	DVF.6-38-35-SST-M8-30-55	38	35	M8	30	30	1311	8.75	150	79
432851	DVF.6-38-35-SST-M10-12-55	38	35	M10	30	12	1311	8.75	150	75
432852	DVF.6-38-35-SST-M10-20-55	38	35	M10	30	20	1311	8.75	150	79
432853	DVF.6-38-35-SST-M10-28-55	38	35	M10	30	28	1311	8.75	150	82
432854	DVF.6-38-35-SST-M10-40-55	38	35	M10	30	40	1311	8.75	150	86
432861	DVF.6-43-50-SST-M10-12-55	43	50	M10	30	12	1318	12.5	105	98
432862	DVF.6-43-50-SST-M10-20-55	43	50	M10	30	20	1318	12.5	105	101
432863	DVF.6-43-50-SST-M10-28-55	43	50	M10	30	28	1318	12.5	105	105
432864	DVF.6-43-50-SST-M10-40-55	43	50	M10	30	40	1318	12.5	105	110
432871	DVF.6-50-20-SST-M10-12-55	50	20	M10	40	12	2890	5	578	72
432872	DVF.6-50-20-SST-M10-20-55	50	20	M10	40	20	2890	5	578	75
432873	DVF.6-50-20-SST-M10-28-55	50	20	M10	40	28	2890	5	578	78
432874	DVF.6-50-20-SST-M10-40-55	50	20	M10	40	40	2890	5	578	82
432881	DVF.6-60-40-SST-M10-12-55	60	40	M10	40	12	2830	10	283	295
432882	DVF.6-60-40-SST-M10-20-55	60	40	M10	40	20	2830	10	283	301
432883	DVF.6-60-40-SST-M10-28-55	60	40	M10	40	28	2830	10	283	308
432884	DVF.6-60-40-SST-M10-40-55	60	40	M10	40	40	2830	10	283	316

DVF.7-SST



DVF.7-SST

STAINLESS STEEL

Code	Description	D	L	d	d1	h	Max. load [N]	Max. deflection [mm]	Stiffness [N/mm]	⚖
432901	DVF.7-20-17-SST-M5-55	20	17	M5	10	5	211	4.25	50	16
432902	DVF.7-20-17-SST-M6-55	20	17	M6	10	6	211	4.25	50	14
432906	DVF.7-25-17-SST-M6-55	25	17	M6	10	6	605	4.25	142	15
432911	DVF.7-32-22-SST-M8-55	32	22	M8	24	8	778	5.5	142	18
432916	DVF.7-38-35-SST-M8-55	38	35	M8	30	8	1455	8.75	166	74
432917	DVF.7-38-35-SST-M10-55	38	35	M10	30	10	1455	8.75	166	70
432921	DVF.7-43-50-SST-M10-55	43	50	M10	30	10	1420	12.5	114	98
432931	DVF.7-50-20-SST-M10-55	50	20	M10	40	10	3010	5	602	75
432941	DVF.7-60-40-SST-M10-55	60	40	M10	40	10	2990	10	299	125



Vibration-damping elements

Rubber and steel or stainless steel

VIBRATION-DAMPING BODY

Natural rubber NR, black colour.  
Hardness 40, 55, 70 Shore A ±5.

STANDARD EXECUTIONS

- **DVC.1:** zinc-plated steel plates and threaded studs.
- **DVC.1-SST:** AISI 304 stainless steel plates and threaded studs.
- **DVC.2:** zinc-plated steel plates, threaded stud and boss, threaded blind hole.
- **DVC.2-SST:** AISI 304 stainless steel plates, threaded stud and boss, threaded blind hole.
- **DVC.3:** zinc-plated steel plates and bosses, threaded blind holes.
- **DVC.3-SST:** AISI 304 stainless steel plates and bosses, threaded blind holes.

FEATURES AND APPLICATIONS

DVC. vibration-damping elements have been designed to damp vibrations, shocks and noises produced by moving bodies or non-balanced vibrating masses of equipment and machines. Unlike DVA vibration-damping elements, under pressure these articles allow more lateral movement without leaving the vertical plane of the metal insert.

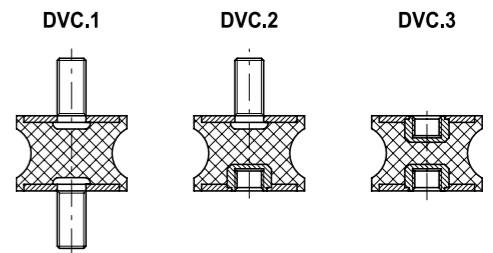
Vibrations can cause:

- malfunctioning and reduction of the machine lifespan and/or of the adjacent ones;
- damage to operator's health;
- noise.

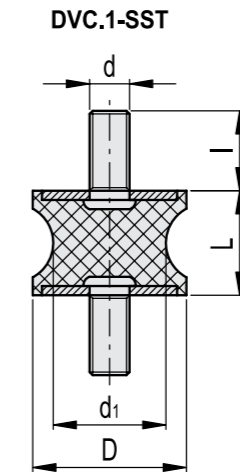
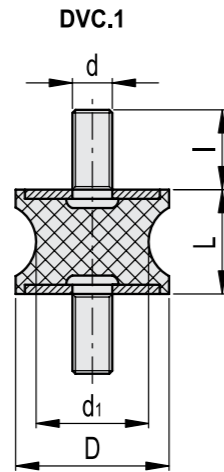
Load diagrams for each single code are available on request. See technical data and guidelines for the choice on page A53

SPECIAL EXECUTIONS ON REQUEST

Natural rubber NR, hardness 40, 70 Shore A ±5, for executions with AISI 304 stainless steel base.







\* Complete the description with the desired hardness: 40, 55 or 70 tolerance ±5 Shore A.

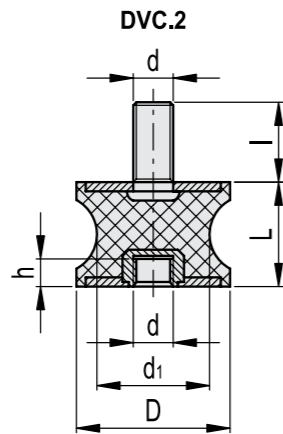
DVC.1 - 10 - 4.5 - 8 - M4 - 10 - 55  
 D d L d I Shore A

DVC.1 - 10 - 4.5 - 8 - SST - M4 - 10 - 55  
 D d L Stainless steel d I Shore A

Description	D	L	d	d <sub>1</sub>	I	Hardness 40 Shore A			Hardness 55 Shore A			Hardness 70 Shore A						
						Code	Max load [N]	Max deflection [mm]	Stiffness [N/mm]	Code	Max load [N]	Max deflection [mm]	Stiffness [N/mm]	Code	Max load [N]	Max deflection [mm]	Stiffness [N/mm]	
DVC.1-10-4.5-8-M4-10-*	10	8	M4	4.5	10	5	433201	43	2	22	433001	80	2	40	433401	105	2	53
DVC.1-10-8-10-M4-10-*	10	10	M4	8	10	8	433206	37	2.5	15	433006	69	2.5	28	433406	98	2.5	39
DVC.1-15-8.5-15-M4-10-*	15	15	M4	8.5	10	12	433211	113	3.75	30	433011	154	3.75	41	433411	207	3.75	55
DVC.1-15-12-15-M4-10-*	15	15	M4	12	10	14	433216	121	3.75	32	433016	163	3.75	43	433416	221	3.75	59
DVC.1-20-14-15-M6-18-*	20	15	M6	14	18	18	433231	211	3.75	56	433031	273	3.75	73	433431	325	3.75	87
DVC.1-20-14-19-M6-18-*	20	19	M6	14	18	25	433233	193	4.75	41	433033	238	4.75	50	433433	302	4.75	64
DVC.1-20-14-20-M6-18-*	20	20	M6	14	18	26	433235	191	5	38	433035	231	5	46	433435	300	5	60
DVC.1-21-16-22-M6-18-*	21	22	M6	16	18	28	433241	205	5.5	37	433041	268	5.5	49	433441	315	5.5	57
DVC.1-20-12-30-M6-18-*	20	30	M6	12	18	30	433221	126	7.5	17	433021	194	7.5	26	433421	217	7.5	29
DVC.1-20-14-30-M6-18-*	20	30	M6	14	18	32	433237	475	7.5	63	433037	202	7.5	27	433437	301	7.5	40
DVC.1-25-18-20-M6-18-*	25	20	M6	18	18	31	433251	539	5	108	433051	887	5	177	433451	1332	5	266
DVC.1-25-20-20-M6-18-*	25	20	M6	20	18	33	433256	560	5	112	433056	902	5	180	433456	1380	5	276
DVC.1-30-22-20-M8-20-*	30	20	M8	22	20	45	433266	738	5	148	433066	1087	5	217	433466	2005	5	401
DVC.1-30-18-25-M8-20-*	30	25	M8	18	20	50	433261	436	6.25	70	433061	671	6.25	107	433461	1342	6.25	215
DVC.1-35-31-15-M8-20-*	35	15	M8	31	20	46	433276	1120	3.75	299	433076	2097	3.75	559	433476	3215	3.75	857
DVC.1-35-25-34-M8-20-*	35	34	M8	25	20	56	433271	1073	8.5	126	433071	1564	8.5	184	433471	2415	8.5	284
DVC.1-40-30-25-M8-23-*	40	25	M8	30	23	58	433285	1823	6.25	292	433085	2430	6.25	389	433485	3378	6.25	540
DVC.1-40-25-30-M8-23-*	40	30	M8	25	23	64	433283	937	7.5	125	433083	1621	7.5	216	433483	2246	7.5	299
DVC.1-40-33-30-M8-23-*	40	30	M8	33	23	68	433289	1007	7.5	134	433089	1873	7.5	250	433489	2423	7.5	323
DVC.1-40-20-48-M8-23-*	40	48	M8	20	23	76	433281	498	12	42	433081	705	12	59	433481	1123	12	94
DVC.1-40-32-50-M8-23-*	40	50	M8	32	23	82	433287	521	12.5	42	433087	795	12.5	64	433487	1321	12.5	106
DVC.1-50-46-15-M10-28-*	50	15	M10	46	28	94	433296	1027	3.75	274	433096	2430	3.75	648	433496	3385	3.75	903
DVC.1-50-42-30-M10-28-*	50	30	M10	42	28	184	433291	1095	7.5	146	433091	1523	7.5	203	433491	2271	7.5	303
DVC.1-55-44-45-M10-28-*	55	45	M10	44	28	233	433293	911	11.25	81	433093	1328	11.25	118	433493	1974	11.25	175
DVC.1-57-25-45-M10-28-*	57	45	M10	25	28	242	433301	902	11.25	80	433101	1222	11.25	109	433501	1765	11.25	157
DVC.1-60-49-60-M10-28-*	60	60	M10	49	28	264	433306	2188	15	146	433106	3785	15	252	433506	4325	15	288
DVC.1-70-45-53-M12-37-*	70	53	M12	45	37	280	433311	1897	13.25	143	433111	2114	13.25	160	433511	3228	13.25	244
DVC.1-72-64-33.5-M12-37-*	72	33.5	M12	64	37	297	433316	2875	8.38	343	433116	4170	8.38	498	433516	7315	8.38	873
DVC.1-75-60-40-M12-37-*	75	40	M12	60	37	380	433321	2409	10	241	433121	3610	10	361	433521	6988	10	699
DVC.1-95-80-75-M16-41-*	95	75	M16	80	41	1090	433326	7584	18.75	404	433126	10865	18.75	579	433526	13263	18.75	707

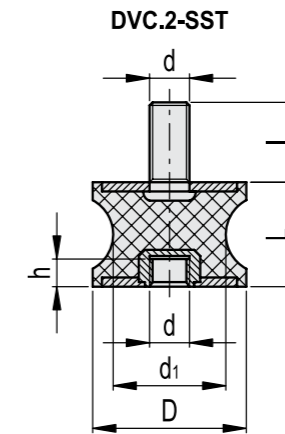
Description	D	L	d	d <sub>1</sub>	I	Hardness 40 Shore A			Hardness 55 Shore A			Hardness 70 Shore A						
						Code	Max load [N]	Max deflection [mm]	Stiffness [N/mm]	Code	Max load [N]	Max deflection [mm]	Stiffness [N/mm]	Code	Max load [N]	Max deflection [mm]	Stiffness [N/mm]	
DVC.1-10-4.5-8-SST-M4-10-55	10	8	M4	4.5	10	5		43	2	22	433601	80	2	40		105	2	53
DVC.1-10-8-10-SST-M4-10-55	10	10	M4	8	10	8		37	2.5	15	433606	69	2.5	28		98	2.5	39
DVC.1-15-8.5-15-SST-M4-10-55	15	15	M4	8.5	10	12		113	3.75	30	433611	113	3.75	30		207	3.75	55
DVC.1-15-12-15-SST-M4-10-55	15	15	M4	12	10	14		121	3.75	32	433616	163	3.75	43		221	3.75	59
DVC.1-20-14-15-SST-M6-18-55	20	15	M6	14	18	18		211	3.75	56	433631	273	3.75	73		325	3.75	87
DVC.1-20-14-19-SST-M6-18-55	20	19	M6	14	18	25		193	4.75	41	433633	238	4.75	50		302	4.75	64
DVC.1-20-14-20-SST-M6-18-55	20	20	M6	14	18	26		191	5	38	433635	231	5	46		300	5	60
DVC.1-21-16-22-SST-M6-18-55	21	22	M6	16	18	28		205	5.5	37	433641	205	5.5	37		315	5.5	57
DVC.1-20-12-30-SST-M6-18-55	20	30	M6	12	18	30		126	7.5	17	433621	280	7.5	37		217	7.5	29
DVC.1-20-14-30-SST-M6-18-55	20	30	M6	14	18	32		475	7.5	63	433637	507	7.5	68		301	7.5	40
DVC.1-25-18-20-SST-M6-18-55	25	20	M6	18	18	31		539	5	108	433651	887	5	177		1332	5	266
DVC.1-25-20-20-SST-M6-18-55	25	20	M6	20	18	33		560	5	112	433656	560	5	112		1380	5	276
DVC.1-30-22-20-SST-M8-20-55	30	20	M8	22	20	45		738	5	148	433666	1087	5	217		2005	5	401
DVC.1-30-18-25-SST-M8-20-55	30	25	M8	18	20	50		436	6.25	70	433661	671	6.25	107		1342	6.25	215
DVC.1-35-31-15-SST-M8-20-55	35	15	M8	31	20	46		1120	3.75	299	433676	2097	3.75	559		3215	3.75	857
DVC.1-35-25-34-SST-M8-20-55	35	34	M8	25	20	56		1073	8.5	126	433671	1564	8.5	184		2415	8.5	284
DVC.1-40-30-25-SST-M8-23-55	40	25	M8	30	23	58		1823	6.25	292	433685	2430	6.25	389		3378	6.25	540
DVC.1-40-25-30-SST-M8-23-55	40	30	M8	25	23	64		937	7.5	125	433683	1621	7.5	216		2246	7.5	299
DVC.1-40-33-30-SST-M8-23-55	40	30	M8	33	23	68		1007	7.5	134	433689	1873	7.5	250		2423	7.5	323
DVC.1-40-20-48-SST-M8-23-55	40	48	M8	20	23	76		498	12	42	433681	705	12.5	56		1123	12	94
DVC.1-40-32-50-SST-M8-23-55	40	50	M8	32	23	82		521	12.5	42	433687	795	12.5	64		1321	12.5	106
DVC.1-50-46-15-SST-M10-28-55	50	15	M10	46	28	94		1027	3.75	274	433696	2430	3.75	648		3385	3.75	903
DVC.1-50-42-30-SST-M10-28-55	50	30	M10	42	28	184		1095	7.5	146	433691	1523	7.5	203		2271	7.5	303
DVC.1-55-44-45-SST-M10-28-55	55	45	M10	44	28	233		911	11.25	81	433693	1328	11.25	118		1974	11.25	175
DVC.1-57-25-45-SST-M10-28-55	57	45	M10	25	28	242		902	11.25	80	433701	1222	11.25	109		1765	11.25	157
DVC.1-60-49-60-SST-M10-28-55	60	60	M10	49	28	264		2188	15	146	433706	3785	15	252		4325	15	288
DVC.1-70-45-53-SST-M12-37-55	70	53	M12	45	37	280		1897	13.25	143	433711	2114	13.25	160		3228	13.25	244
DVC.1-72-64-33.5-SST-M12-37-55	72	33.5	M12	64	37	297		2875	8.38	343	433716	4170	8.38	498		7315	8.38	873
DVC.1-75-60-40-SST-M12-37-55	75	40	M12	60	37	380		2409	10	241	433721	3610	10	361		6988	10	699
DVC.1-95-80-75-SST-M16-41-55	95	75	M16	80	41	1090		7584	18.75	404	433726	10865	18.75	579		13263	18.75	707

STAINLESS STEEL



\* Complete the description with the desired hardness: 40, 55 or 70 tolerance ±5 Shore A.

DVC.2 - 10 - 8 - 10 - M4 - 10 - 55  
 D d1 L d I Shore A

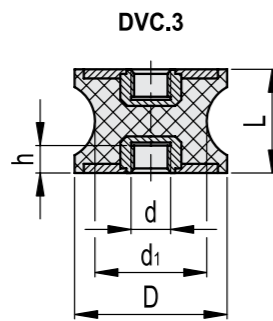


DVC.2 - 10 - 8 - 10 - SST - M4 - 10 - 55  
 D d1 L Stainless steel d I Shore A

Description	D	L	d	d1	I	h	Δ	Hardness 40 Shore A			Hardness 55 Shore A			Hardness 70 Shore A					
								Code	Max load [N]	Max deflection [mm]	Stiffness [N/mm]	Code	Max load [N]	Max deflection [mm]	Stiffness [N/mm]	Code	Max load [N]	Max deflection [mm]	Stiffness [N/mm]
DVC.2-10-8-10-M4-10-*	10	10	M4	8	10	4	3	433901	94	2,5	37	433751	43	2,5	17	434051	81	2,5	32
DVC.2-15-8,5-15-M4-10-*	15	15	M4	8,5	10	4	5	433911	81	3,75	22	433761	132	3,75	35	434061	180	3,75	48
DVC.2-15-12-15-M4-10-*	15	15	M4	12	10	4	6	433916	132	3,75	35	433766	142	3,75	38	434066	191	3,75	51
DVC.2-20-14-15-M6-18-*	20	15	M6	14	18	6	14	433923	191	3,75	51	433773	247	3,75	66	434073	319	3,75	85
DVC.2-20-14-19-M6-18-*	20	19	M6	14	18	6	16	433925	319	4,75	67	433775	226	4,75	48	434075	278	4,75	59
DVC.2-20-14-20-M6-18-*	20	20	M6	14	18	6	17	433927	278	5	56	433777	223	5	45	434077	270	5	54
DVC.2-21-16-22-M6-18-*	21	22	M6	16	18	6	18	433931	270	5,5	49	433781	240	5,5	44	434081	314	5,5	57
DVC.2-20-12-30-M6-18-*	20	30	M6	12	18	6	22	433921	240	7,5	32	433771	147	7,5	20	434071	227	7,5	30
DVC.2-20-14-30-M6-18-*	20	30	M6	14	18	6	25	433929	173	7,5	23	433779	255	7,5	34	434079	380	7,5	51
DVC.2-25-18-20-M6-18-*	25	20	M6	18	18	6	36	433941	593	5	119	433791	631	5	126	434091	1038	5	208
DVC.2-25-20-20-M6-18-*	25	20	M6	20	18	6	39	433946	1038	5	208	433796	655	5	131	434096	1055	5	211
DVC.2-30-22-20-M8-20-*	30	20	M8	22	20	8	44	433956	655	5	131	433806	863	5	173	434106	1272	5	254
DVC.2-30-18-25-M8-20-*	30	25	M8	18	20	8	49	433951	1272	6,25	203	433801	510	6,25	82	434101	785	6,25	126
DVC.2-35-31-15-M8-20-*	35	15	M8	31	20	8	46	433966	785	3,75	209	433816	1310	3,75	349	434116	2453	3,75	654
DVC.2-35-25-34-M8-20-*	35	34	M8	25	20	8	60	433961	2453	8,5	289	433811	1255	8,5	148	434111	1830	8,5	215
DVC.2-40-30-25-M8-23-*	40	25	M8	30	23	8	73	433975	1830	6,25	293	433825	2133	6,25	341	434125	2843	6,25	455
DVC.2-40-25-30-M8-23-*	40	30	M8	25	23	8	76	433973	2843	7,5	379	433823	1096	7,5	146	434123	1897	7,5	253
DVC.2-40-33-30-M8-23-*	40	30	M8	33	23	8	80	433979	861	7,5	115	433829	1178	7,5	157	434129	2191	7,5	292
DVC.2-40-20-48-M8-23-*	40	48	M8	20	23	8	86	433971	2191	12	183	433821	583	12	49	434121	825	12	69
DVC.2-40-32-50-M8-23-*	40	50	M8	32	23	8	94	433977	825	12,5	66	433827	610	12,5	49	434127	930	12,5	74
DVC.2-50-42-30-M10-28-*	50	30	M10	42	28	10	112	433981	2843	7,5	379	433831	1281	7,5	171	434131	1782	7,5	238
DVC.2-55-44-45-M10-28-*	55	45	M10	44	28	10	162	433986	1782	11,25	158	433836	1066	11,25	95	434136	1554	11,25	138
DVC.2-57-25-45-M10-28-*	57	45	M10	25	28	10	155	433991	1554	11,25	138	433841	1055	11,25	94	434141	1430	11,25	127
DVC.2-60-49-60-M10-28-*	60	60	M10	49	28	10	245	433996	1430	15	95	433846	2560	15	171	434146	4428	15	295
DVC.2-70-45-53-M12-37-*	70	53	M12	45	37	12	321	434001	4428	13,25	334	433851	2219	13,25	168	434151	2473	13,25	187
DVC.2-72-64-33,5-M12-37-*	72	33,5	M12	64	37	12	385	434006	2473	8,38	295	433856	3364	8,38	402	434156	4879	8,38	583
DVC.2-75-60-40-M12-37-*	75	40	M12	60	37	12	450	434011	4879	10	488	433861	2819	10	282	434161	4224	10	422
DVC.2-95-80-75-M16-41-*	95	75	M16	80	41	16	740	434016	4224	18,75	225	433866	8873	18,75	473	434166	12712	18,75	678

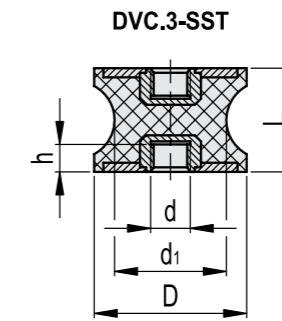
**STAINLESS STEEL**

Description	D	L	d	d1	I	h	Δ	Hardness 40 Shore A			Hardness 55 Shore A			Hardness 70 Shore A			
								Code	Max load [N]	Max deflection [mm]	Stiffness [N/mm]	Code	Max load [N]	Max deflection [mm]	Stiffness [N/mm]	Code	Max load [N]
DVC.2-10-8-10-SST-M4-10-55	10	10	M4	8	10	4	3	94	2,5	37	434201	115	2,5	46	81	2,5	32
DVC.2-15-8,5-15-SST-M4-10-55	15	15	M4	8,5	10	4	5	94	2,5	37	434211	242	3,75	65	81	2,5	32
DVC.2-15-12-15-SST-M4-10-55	15	15	M4	12	10	4	6	81	3,75	22	434216	259	3,75	69	180	3,75	48
DVC.2-20-14-15-SST-M6-18-55	20	15	M6	14	18	6	14	132	3,75	35	434223	380	3,75	101	191	3,75	51
DVC.2-20-14-19-SST-M6-18-55	20	19	M6	14	18	6	16	191	3,75	51	434225	353	4,75	74	319	3,75	85
DVC.2-20-14-20-SST-M6-18-55	20	20	M6	14	18	6	17	319	4,75	67	434227	351	5	70	278	4,75	59
DVC.2-21-16-22-SST-M6-18-55	21	22	M6	16	18	6	18	278	5	56	434231	369	5,5	67	270	5	54
DVC.2-20-12-30-SST-M6-18-55	20	30	M6	12	18	6	22	270	5,5	49	434221	254	7,5	34	314	5,5	57
DVC.2-20-14-30-SST-M6-18-55	20	30	M6	14	18	6	25	240	7,5	32	434229	255	7,5	34	227	7,5	30
DVC.2-25-18-20-SST-M6-18-55	25	20	M6	18	18	6	36	328	7,5	44	434241	1558	5	312	236	7,5	32
DVC.2-25-20-20-SST-M6-18-55	25	20	M6	20	18	6	39	593	5	119	434246	1615	5	323	1038	5	208
DVC.2-30-22-20-SST-M8-20-55	30	20	M8	22	20	8	44	1038	5	208	434256	2346	5	469	1055	5	211
DVC.2-30-18-25-SST-M8-20-55	30	25	M8	18	20	8	49	655	5	131	434251	1570	6,25	251	1272	5	254
DVC.2-35-31-15-SST-M8-20-55	35	15	M8	31	20	8	46	1272	6,25	203	434266	3762	3,75	1003	785	6,25	126
DVC.2-35-25-34-SST-M8-20-55	35	34	M8	25	20	8	60	785	3,75	209	434261	2826	8,5	332	2453	3,75	654
DVC.2-40-30-25-SST-M8-23-55	40	25	M8	30	23	8	73	2453	8,5	289	434275	3952	6,25	632	1830	8,5	215
DVC.2-40-25-30-SST-M8-23-55	40	30	M8	25	23	8	76	1830	6,25	293	434273	2628	7,5	350	2843	6,25	455
DVC.2-40-33-30-SST-M8-23-55	40	30	M8	33	23	8	80	2843	7,5	379	434279	2835	7,5	378	1897	7,5	253
DVC.2-40-20-48-SST-M8-23-55	40	48	M8	20	23	8	86	1897	7,5	253	434271	1314	12	109	2191	7,5	292
DVC.2-40-32-50-SST-M8-23-55	40	50	M8	32	23	8	94	2191	12	183	434277	1546	12,5	124	825	12	69
DVC.2-50-42-30-SST-M10-28-55	50	30	M10	42	28	10	112	825	12,5	66	434281	2657	7,5	354	930	12,5	74
DVC.2-55-44-45-SST-M10-28-55	55	45	M10	44	28	10	162	2843	7,5	379	434286	2310	11,25	205	1782	7,5	238
DVC.2-57-25-45-SST-M10-28-55	57	45	M10	25	28	10	155	1782	11,25	158	434291	2065	11,25	184	1554	11,25	138
DVC.2-60-49-60-SST-M10-28-55	60	60	M10	49	28	10	245	1554	11,25	138	434296	5060	15	337	1430	11,25	127
DVC.2-70-45-53-SST-M12-37-55	70	53	M12	45	37	12	321	4428	13,25	334	434301	3777	13,25	285	4428	13,25	187
DVC.2-72-64-33,5-SST-M12-37-55	72	33,5	M12	64	37	12	385	4428	13,25	334	434306	8559	8,38	1022	2473	13,25	187
DVC.2-75-60-40-SST-M12-37-55	75	40	M12	60	37	12	450	2473	8,38	295	434311	8176	10	818	4879	8,38	583
DVC.2-95-80-75-SST-M16-41-55	95	75	M16	80	41	16	740	4879	10	488	434316	15518	18,75	828	4224	10	422



\* Complete the description with the desired hardness: 40, 55 or 70 tolerance ±5 Shore A.

DVC.3 - 15 - 8,5 - 15 - M4 - 55  
 D d1 L d Shore A



DVC.3 - 15 - 8,5 - 15 - SST - M4 - 55  
 D d1 L d Shore A  
 Stainless steel

Description	D	L	d	d1	h	⚖	Hardness 40 Shore A			Hardness 55 Shore A			Hardness 70 Shore A					
							Code	Max load [N]	Max deflection [mm]	Stiffness [N/mm]	Code	Max load [N]	Max deflection [mm]	Stiffness [N/mm]	Code	Max load [N]	Max deflection [mm]	Stiffness [N/mm]
DVC.3-15-8.5-15-M4-*	15	15	M4	8.5	4	6	434601	94	3.75	25	434501	155	3.75	41	434701	211	3.75	56
DVC.3-15-12-15-M4-*	15	15	M4	12	4	8	434606	155	3.75	41	434506	166	3.75	44	434706	223	3.75	60
DVC.3-20-14-15-M6-*	20	15	M6	14	6	13	434613	223	3.75	60	434513	289	3.75	77	434713	374	3.75	100
DVC.3-20-14-19-M6-*	20	19	M6	14	6	16	434615	374	4.75	79	434515	264	4.75	56	434715	326	4.75	69
DVC.3-20-14-20-M6-*	20	20	M6	14	6	17	434617	326	5	65	434517	261	5	52	434717	316	5	63
DVC.3-21-16-22-M6-*	21	22	M6	16	6	18	434621	316	5.5	57	434521	281	5.5	51	434721	367	5.5	67
DVC.3-20-12-30-M6-*	20	30	M6	12	6	19	434611	281	7.5	37	434511	172	7.5	23	434711	266	7.5	35
DVC.3-20-14-30-M6-*	20	30	M6	14	6	23	434619	383	7.5	51	434519	650	7.5	87	434719	277	7.5	37
DVC.3-25-18-20-M6-*	25	20	M6	18	6	27	434631	694	5	139	434531	738	5	148	434731	1214	5	243
DVC.3-25-20-20-M6-*	25	20	M6	20	6	30	434636	1214	5	243	434536	767	5	153	434736	1235	5	247
DVC.3-30-22-20-M8-*	30	20	M8	22	8	39	434643	767	5	153	434543	1010	5	202	434743	1488	5	298
DVC.3-30-18-25-M8-*	30	25	M8	18	8	42	434641	1488	6.25	238	434541	597	6.25	95	434741	919	6.25	147
DVC.3-35-25-34-M8-*	35	34	M8	25	8	53	434645	2871	8.5	338	434545	1469	8.5	173	434745	2141	8.5	252
DVC.3-40-30-25-M8-*	40	25	M8	30	8	64	434655	2141	6.25	343	434555	2496	6.25	399	434755	3326	6.25	532
DVC.3-40-25-30-M8-*	40	30	M8	25	8	72	434653	3326	7.5	444	434553	1283	7.5	171	434753	2219	7.5	296
DVC.3-40-33-30-M8-*	40	30	M8	33	8	80	434659	2219	7.5	296	434559	1378	7.5	184	434759	2564	7.5	342
DVC.3-40-32-50-M8-*	40	50	M8	32	8	98	434657	2564	12.5	205	434557	682	12.5	55	434757	965	12.5	77
DVC.3-40-20-48-M8-*	40	48	M8	20	8	86	434651	965	12	80	434551	713	12	59	434751	1088	12	91
DVC.3-50-42-30-M10-*	50	30	M10	42	10	125	434656	3326	7.5	444	434556	1499	7.5	200	434756	2085	7.5	278
DVC.3-55-44-45-M10-*	55	45	M10	44	10	150	434661	2085	11.25	185	434561	1247	11.25	111	434761	1818	11.25	162
DVC.3-57-25-45-M10-*	57	45	M10	25	10	140	434666	1818	11.25	162	434566	1235	11.25	110	434766	1673	11.25	149
DVC.3-60-49-60-M10-*	60	60	M10	49	10	310	434671	1673	15	112	434571	2995	15	200	434771	5181	15	345
DVC.3-70-45-53-M12-*	70	53	M12	45	12	336	434676	5181	13.25	391	434576	2597	13.25	196	434776	2894	13.25	218
DVC.3-72-64-33.5-M12-*	72	33.5	M12	64	12	342	434681	2894	8.38	346	434581	3936	8.38	470	434781	5708	8.38	682
DVC.3-75-60-40-M12-*	75	40	M12	60	12	360	434686	5708	10	571	434586	3298	10	330	434786	4942	10	494
DVC.3-95-80-75-M16-*	95	75	M16	80	16	690	434691	4942	18.75	264	434591	10382	18.75	554	434791	14873	18.75	793

STAINLESS STEEL

Description	D	L	d	d1	h	⚖	Hardness 40 Shore A			Hardness 55 Shore A			Hardness 70 Shore A					
							Code	Max load [N]	Max deflection [mm]	Stiffness [N/mm]	Code	Max load [N]	Max deflection [mm]	Stiffness [N/mm]	Code	Max load [N]	Max deflection [mm]	Stiffness [N/mm]
DVC.3-15-8.5-15-SST-M4-55	15	15	M4	8.5	4	6		94	3.75	25	434801	283	3.75	76		211	3.75	56
DVC.3-15-12-15-SST-M4-55	15	15	M4	12	4	8		94	3.75	25	434806	303	3.75	81		211	3.75	56
DVC.3-20-14-15-SST-M6-55	20	15	M6	14	6	13		155	3.75	41	434813	445	3.75	119		223	3.75	60
DVC.3-20-14-19-SST-M6-55	20	19	M6	14	6	16		223	3.75	60	434815	413	4.75	87		374	3.75	100
DVC.3-20-14-20-SST-M6-55	20	20	M6	14	6	17		374	4.75	79	434817	411	5	82		326	4.75	69
DVC.3-21-16-22-SST-M6-55	21	22	M6	16	6	18		326	5	65	434821	431	5.5	78		316	5	63
DVC.3-20-12-30-SST-M6-55	20	30	M6	12	6	19		316	5.5	57	434811	297	7.5	40		367	5.5	67
DVC.3-20-14-30-SST-M6-55	20	30	M6	14	6	23		281	7.5	37	434819	412	7.5	55		266	7.5	35
DVC.3-25-18-20-SST-M6-55	25	20	M6	18	6	27		383	7.5	51	434831	1823	5	365		277	7.5	37
DVC.3-25-20-20-SST-M6-55	25	20	M6	20	6	30		694	5	139	434836	1889	5	378		1214	5	243
DVC.3-30-22-20-SST-M8-55	30	20	M8	22	8	39	ON REQUEST	1214	5	243	434843	2745	5	549	ON REQUEST	1235	5	247
DVC.3-30-18-25-SST-M8-55	30	25	M8	18	8	42		767	5	153	434841	1837	6.25	294		1488	5	298
DVC.3-35-25-34-SST-M8-55	35	34	M8	25	8	53		1488	6.25	238	434845	3306	8.5	389		919	6.25	147
DVC.3-40-30-25-SST-M8-55	40	25	M8	30	8	64		2871	8.5	338	434855	4624	6.25	740		2141	8.5	252
DVC.3-40-25-30-SST-M8-55	40	30	M8	25	8	72		2141	6.25	343	434853	3075	7.5	410		3326	6.25	532
DVC.3-40-33-30-SST-M8-55	40	30	M8	33	8	80		3326	7.5	444	434859	3317	7.5	442		2219	7.5	296
DVC.3-40-32-50-SST-M8-55	40	50	M8	32	8	98		2219	7.5	296	434857	1537	12.5	123		2564	7.5	342
DVC.3-40-20-48-SST-M8-55	40	48	M8	20	8	86		2564	12.5	205	434851	1808	12	151		965	12.5	77
DVC.3-50-42-30-SST-M10-55	50	30	M10	42	10	125		965	12	80	434856	3109	7.5	415		1088	12	91
DVC.3-55-44-45-SST-M10-55	55	45	M10	44	10	150		3326	7.5	444	434861	2702	11.25	240		2085	7.5	278
DVC.3-57-25-45-SST-M10-55	57	45	M10	25	10	140		2085	11.25	185	434866	2416	11.25	215		1818	11.25	162
DVC.3-60-49-60-SST-M10-55	60	60	M10	49	10	310		1818	11.25	162	434871	5920	15	395		1673	11.25	149
DVC.3-70-45-53-SST-M12-55	70	53	M12	45	12	336		1673	15	112	434876	4419	13.25	333		5181	15	345
DVC.3-72-64-33.5-SST-M12-55	72	33.5	M12	64	12	342		5181	13.25	391	434881	10014	8.38	1196		2894	13.25	218
DVC.3-75-60-40-SST-M12-55	75	40	M12	60	12	360		2894	8.38	346	434886	9566	10	957		5708	8.38	682
DVC.3-95-80-75-SST-M16-55	95	75	M16	80	16	690		5708	10	571	434891	18156	18.75	968		4942	10	494

# Vibration-damping elements

Rubber and steel or rubber and stainless steel

### VIBRATION-DAMPING BODY

Natural rubber NR, black colour.  
Hardness 40 and 60 Shore A ±5.

### STANDARD EXECUTIONS

- **DVE-A:** zinc-plated steel oval mounting flange, base plate and tapped boss.
- **DVE-SST-A:** AISI 304 stainless steel oval mounting flange, base plate and tapped boss.
- **DVE-B:** zinc-plated steel square mounting flange, base plate and tapped boss.
- **DVE-SST-B:** AISI 304 stainless steel square mounting flange, base plate and tapped boss.

### FEATURES AND APPLICATIONS

DVE vibration-damping elements are composed of two metallic elements joined together by a rubber anti-vibration body. A round element with a boss with a threaded pass-through hole constitutes the base for fixing the vibrating machine. Another element, oval or square shaped, constitutes the flange for fastening to the floor. Generally used for applications with rotary machines that do not present big dynamic imbalances, where elasticity is required both vertically and transversely.

They are therefore very suitable for use with compressors, fans, vibrating feeders, rotary pumps or electric motors.

Vibrations can cause:

- malfunctioning and reduction of the machine lifespan and/or of the adjacent ones;
- noise and thus also damage to human health.

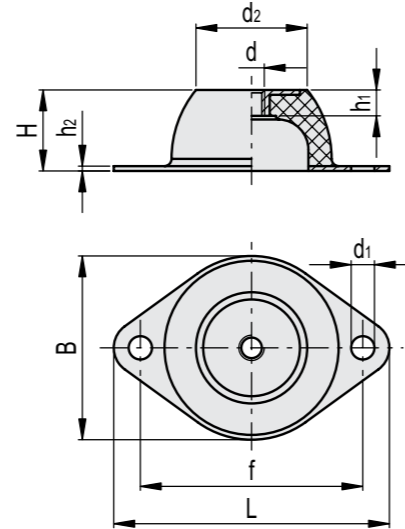
Load diagrams for each single code are available on request. See technical data and guidelines for the choice on page A53

### SPECIAL EXECUTIONS ON REQUEST

- AISI 304 stainless steel elements and NR natural rubber with hardness 40 tolerance ± 5 Shore A.
- Executions with AISI 316 stainless steel mounting flange, base plate and tapped boss.
- Executions with NR natural rubber with different hardness.



DVE-A  
DVE-SST-A



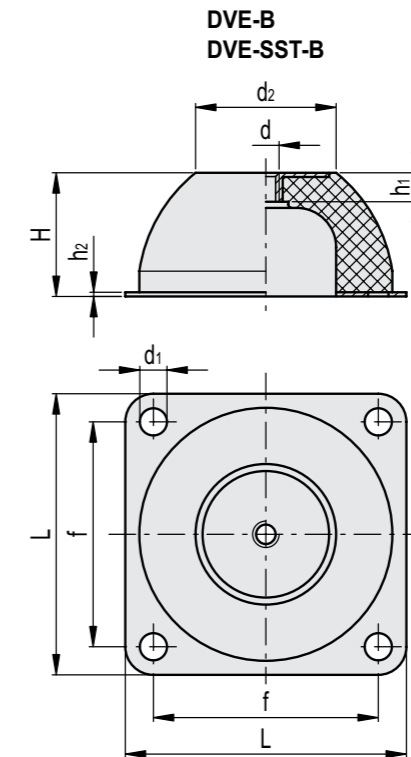
### DVE-A

Code	Description	B	L	H	d	h <sub>1</sub>	d <sub>1</sub>	h <sub>2</sub>	d <sub>2</sub>	f	Static load [N]	Max. deflection [mm]	Stiffness [N/mm]	⚖️
434901	DVE-18-M6-A-40	43	64	20	M6	7	7	2	18	50	62.5	5	13	30
434903	DVE-18-M6-A-60	43	64	20	M6	7	7	2	18	50	141	5	28	30
434906	DVE-33-M8-A-40	56	85	25	M8	9	8	2	33	66	378	6.25	60	70
434908	DVE-33-M8-A-60	56	85	25	M8	9	8	2	33	66	617	6	103	70
434911	DVE-45-M10-A-40	76	114	35	M10	11	10	2	45	92	643	8.75	73	160
434913	DVE-45-M10-A-60	76	114	35	M10	11	10	2	45	92	1374	8.75	157	160
434916	DVE-53-M10-A-40	96	136	40	M10	11	11.5	2	53	110	855	10	86	265
434918	DVE-53-M10-A-60	96	136	40	M10	11	11.5	2	53	110	2307	10	231	265
434921	DVE-58-M10-A-40	101	151	45	M10	11	11.5	3	58	124	1785	11.25	159	400
434923	DVE-58-M10-A-60	101	151	45	M10	11	11.5	3	58	124	3230	11.25	287	400

### DVE-SST-A

STAINLESS STEEL

Code	Description	B	L	H	d	h <sub>1</sub>	d <sub>1</sub>	h <sub>2</sub>	d <sub>2</sub>	f	Static load [N]	Max. deflection [mm]	Stiffness [N/mm]	⚖️
434951	DVE-18-SST-M6-A-60	43	64	20	M6	7	7	2	18	50	141	5	28	30
434956	DVE-33-SST-M8-A-60	56	85	25	M8	9	8	2	33	66	617	6	103	70
434961	DVE-45-SST-M10-A-60	76	114	35	M10	11	10	2	45	92	1374	8.75	157	160
434966	DVE-53-SST-M10-A-60	96	136	40	M10	11	11.5	2	53	110	2307	10	231	265
434971	DVE-58-SST-M10-A-60	101	151	45	M10	11	11.5	3	58	124	3230	11.25	287	400



### DVE-B

Code	Description	L	H	d	h <sub>1</sub>	d <sub>1</sub>	h <sub>2</sub>	d <sub>2</sub>	f	Static load [N]	Max. deflection [mm]	Stiffness [N/mm]	⚖️
434926	DVE-78-M12-B-40	150	63	M12	13	14.5	3	78	120	3073	15.75	195	1025
434928	DVE-78-M12-B-60	150	63	M12	13	14.5	3	78	120	7470	15.75	474	1025
434931	DVE-100-M16-B-40	200	85	M16	16	14.5	3	100	160	8486	21.25	399	2315
434933	DVE-100-M16-B-60	200	85	M16	16	14.5	3	100	160	6003	21.25	282	2315
434936	DVE-186-M24-B-40	310	160	M24	40	18	4	186	250	10528	40	263	10500
434938	DVE-186-M24-B-60	310	160	M24	40	18	4	186	250	20812	46.5	448	10500

### DVE-SST-B

STAINLESS STEEL

Code	Description	L	H	d	h <sub>1</sub>	d <sub>1</sub>	h <sub>2</sub>	d <sub>2</sub>	f	Static load [N]	Max. deflection [mm]	Stiffness [N/mm]	⚖️
434976	DVE-78-SST-M12-B-60	150	63	M12	13	14.5	3	78	120	7470	15.75	474	1025
434981	DVE-100-SST-M16-B-60	200	85	M16	16	14.5	3	100	160	6003	21.25	282	2315
434986	DVE-186-SST-M24-B-60	310	160	M24	40	18	4	186	250	20812	46.5	448	10500



## Buffers

### Retaining washer Stainless Steel

#### SPECIFICATION

Rubber

Perbunan® (NBR)

- black
- vulcanized to the retaining washer
- temperature resistant up 120 °C
- Hardness Shore A  $\pm 5$

soft\* **40**

medium **55**

hard\* **70**

\* not available from stock and requires a minimum order quantity.

Retaining washer  
Stainless Steel A2



#### INFORMATION

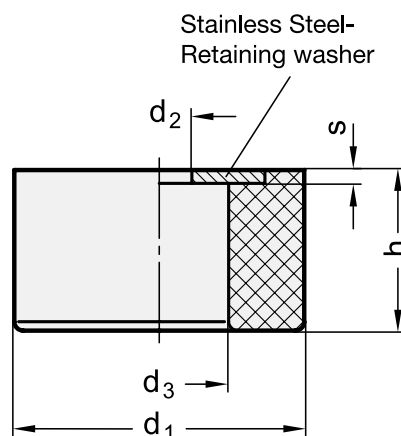
Buffers GN 454 are used as end-stop buffers, e.g. conveyor trolleys. They can be fixed on the damping side with socket head cap screws DIN 912.

They absorb most of the kinetic energy development on impact. They act as dampers and prevent damaging shock and rebound. They also act as sound dampers.

These buffers are also used as levelling feet.

#### TECHNICAL INFORMATION

- Elastomer characteristics (see page A32)



#### GN 454

**STAINLESS STEEL**

Description	d1	h	d2	d3	s	Spring rate $\approx$ in N/mm (Hardness 55)	max. load in N (Hardness 55)	Max. travel $\approx$ in mm	
GN 454-16-8-4,3-55	16	8	4.3	8	1	140	280	2	2
GN 454-20-10-5,3-55	20	10	5.3	9.5	1.2	148	370	2.5	4
GN 454-25-12-6,4-55	25	12	6.4	12.2	1.6	210	630	3	7
GN 454-35-16-8,4-55	35	16	8.4	14	2	345	1380	4	20
GN 454-42-20-10,5-55	42	20	10.5	17.5	2.5	360	1800	5	35
GN 454-56-24-13-55	56	24	13	19.5	3	577	3460	6	76