

**Cover stays**  
**Cover supports**  
**Support stays**  
**Lid stays**  
**Door holders**





**Advantages**

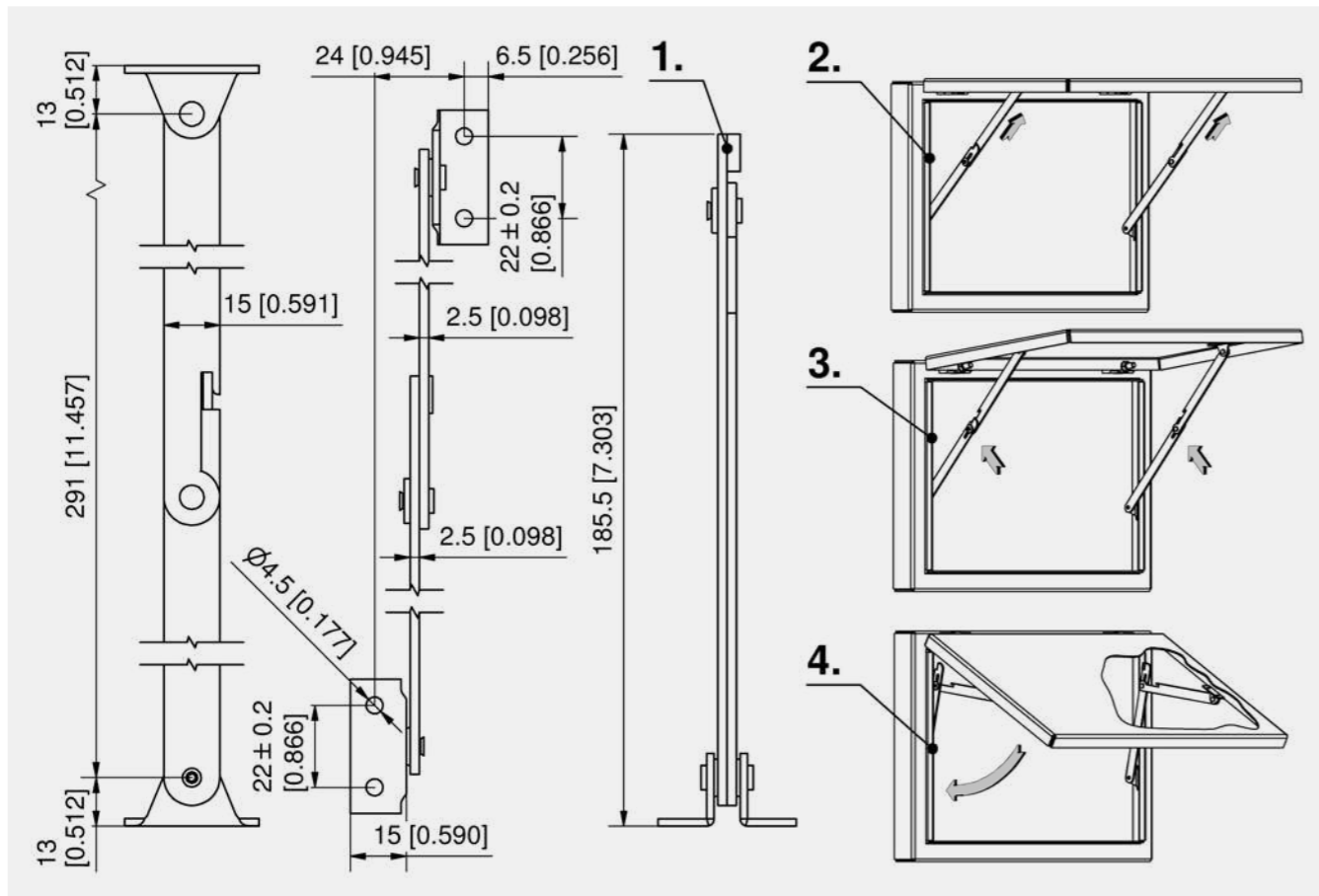
- Cover stay screw-on or weld-on.
- RH and LH version.

**Materials**

- **Cover stay:** steel, nickel plated

**Remarks**

1. snap spike
2. press up to close
3. push in
4. close the flap



Cover stay

Part Number	Version	Delivery Unit
230-9101.00-00000	RH	5 pcs.
230-9102.00-00000	LH	5 pcs.



**Advantages**

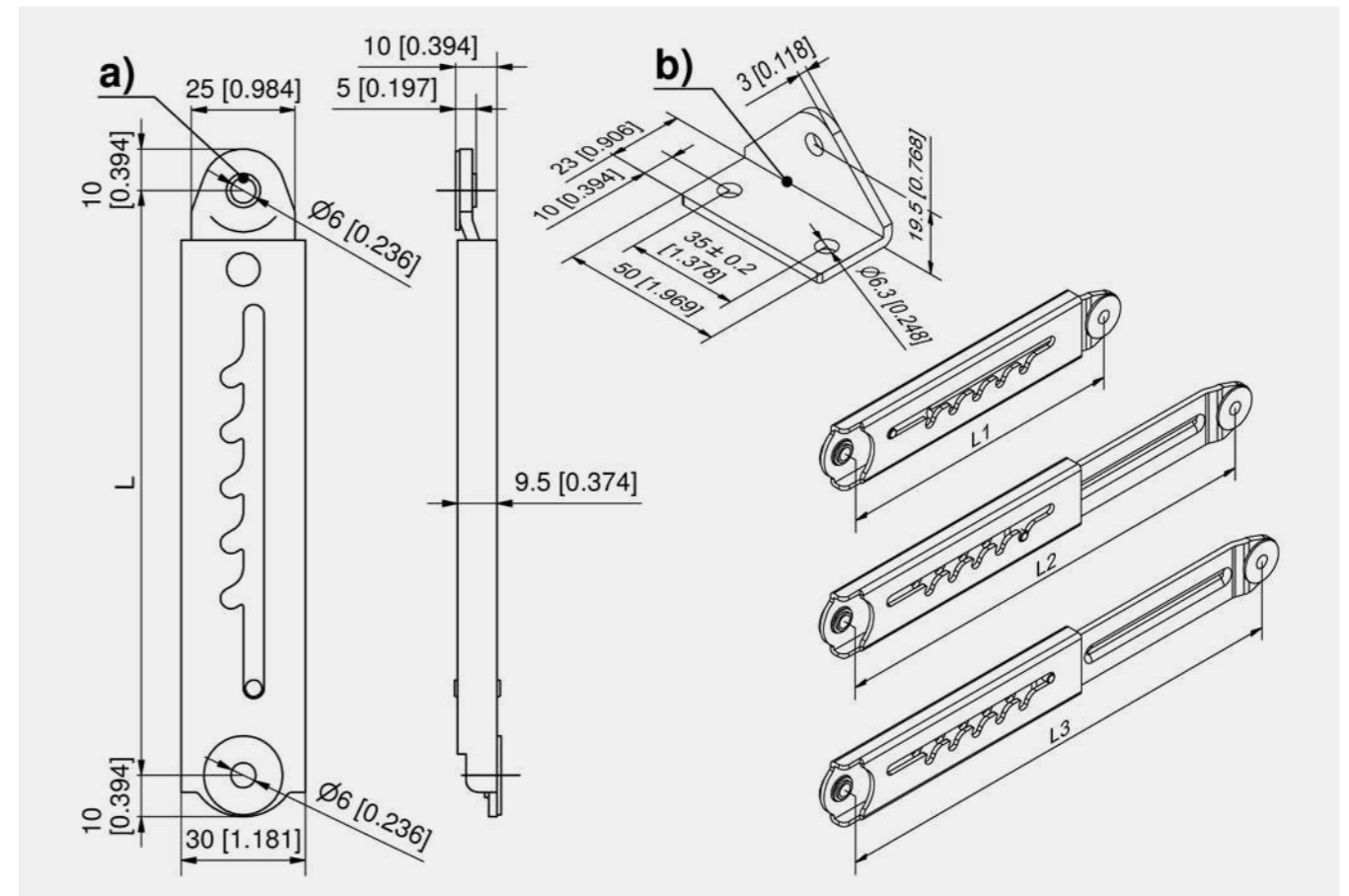
- Telescopic cover stay with multiple stops and release in the end position, for desk-leaves and covers.
- RH / LH application.

**Materials**

- **Telescopic cover support and mounting angle:** steel, zinc plated

**Remarks**

To release the mechanism, the cover stay has to be extended completely.  
2 spacers for M6 screws are included.  
For installation dimensions and application examples see DIRAK.com



Telescopic cover support

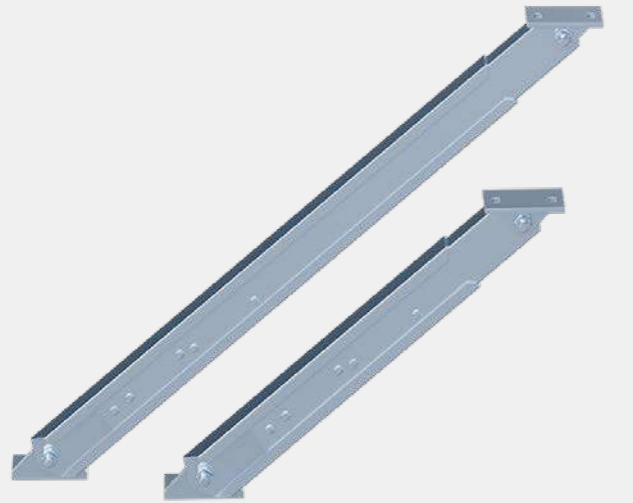
	Part Number	Length L1 retracted	1st stop	2nd stop	3rd stop	4th stop	5th stop	6th stop	7th stop	8th stop	9th stop	10th stop	Length L3 extended	Quantity of stops	Delivery Unit
a)	230-9308.00-00000	140±2	164 mm	177 mm	189.5 mm	202 mm	214.5 mm						230±2	5	1 pc.
a)	230-9309.00-00000	214±2	234.5 mm	248 mm	261 mm	274.5 mm	288 mm	301 mm	314.5 mm	327 mm	340.5 mm	354 mm	374±2	10	1 pc.

Accessories	
+	b) 230-9401.00-00000 Mounting angle



# Telescopic Cover Support

[6-170]



### Advantages

- Telescopic cover support for covers and desk-leafs.
- Automatic locking and unlocking functionality by guide mechanism.
- Guides separately riveted, locking lever made of stainless steel.
- Robust design.
- RH / LH application.

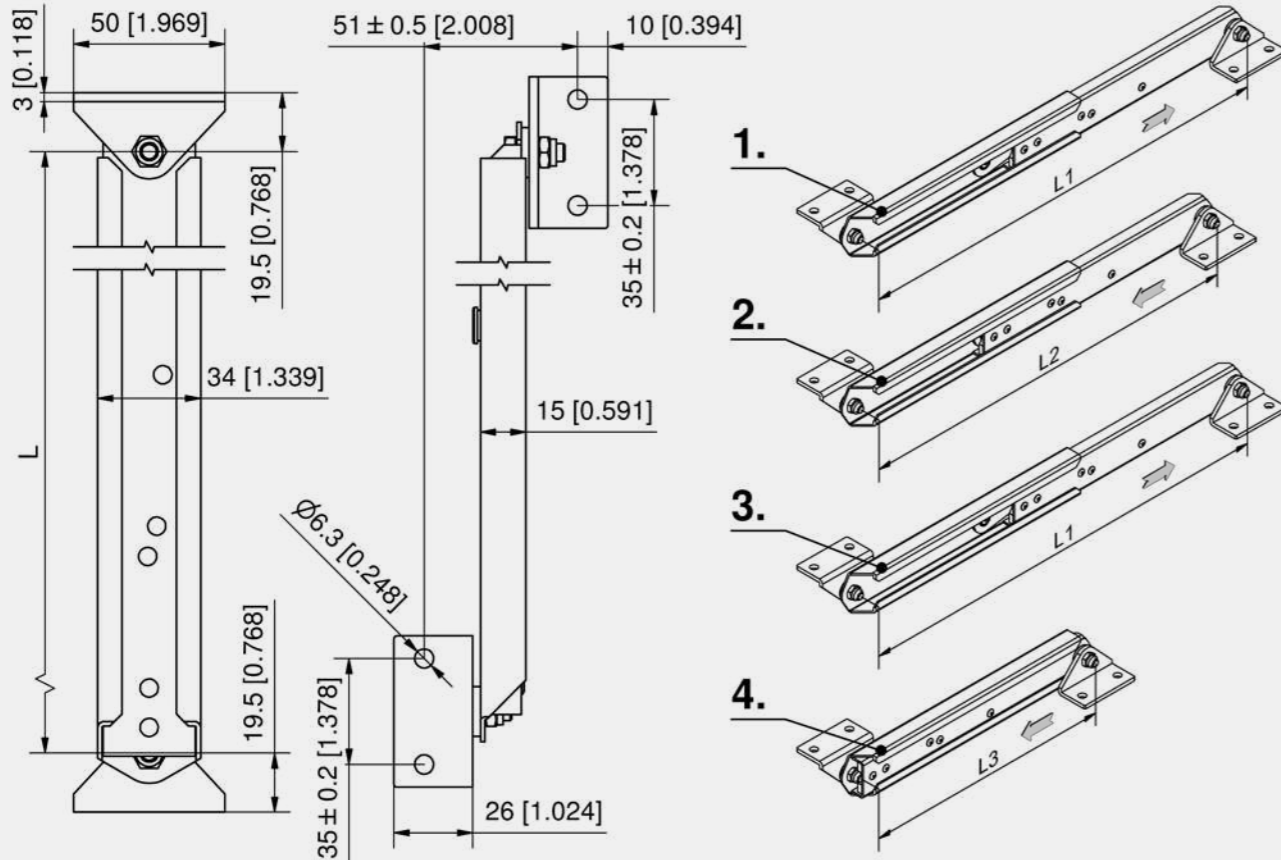
### Materials

- Inner- and outer rails, mounting angles and cam plates:** steel, zinc plated
- Catch lever:** stainless steel (cast)

### Remarks

- alignment of the locking lever by complete extension of the telescopic cover support.
- after retraction of 3 cm the telescopic cover support snaps in securely.
- renewed extension brings the locking lever back into free-run position.
- the telescopic cover support can be retracted now.

For installation dimensions and application examples see DIRAK.com



Telescopic cover support

Part Number	Length L1 extended	Length L2 extended, snapped	Length L3 retracted	Delivery Unit
230-9001.00-00000	365±2	335±2	215±2	1 pc.
230-9002.00-00000	725±2	695±2	395±2	1 pc.



Leveling Foot M6/M8

See page 765



# Telescopic Cover Support

[6-190]



**Advantages**

- Clicks into place.
- When using two cover stays ring bolts (2) can be screwed on the inside of both locks. After connecting them with a steel wire both cover stays can be unlocked simultaneously.
- RH / LH application.

**Materials**

- Telescopic cover support:** steel, zinc plated
- Spring:** stainless steel

**Remarks**

For installation dimensions and application examples see DIRAK.com

# Telescopic Cover Support Stainless Steel

[7-300]



**Advantages**

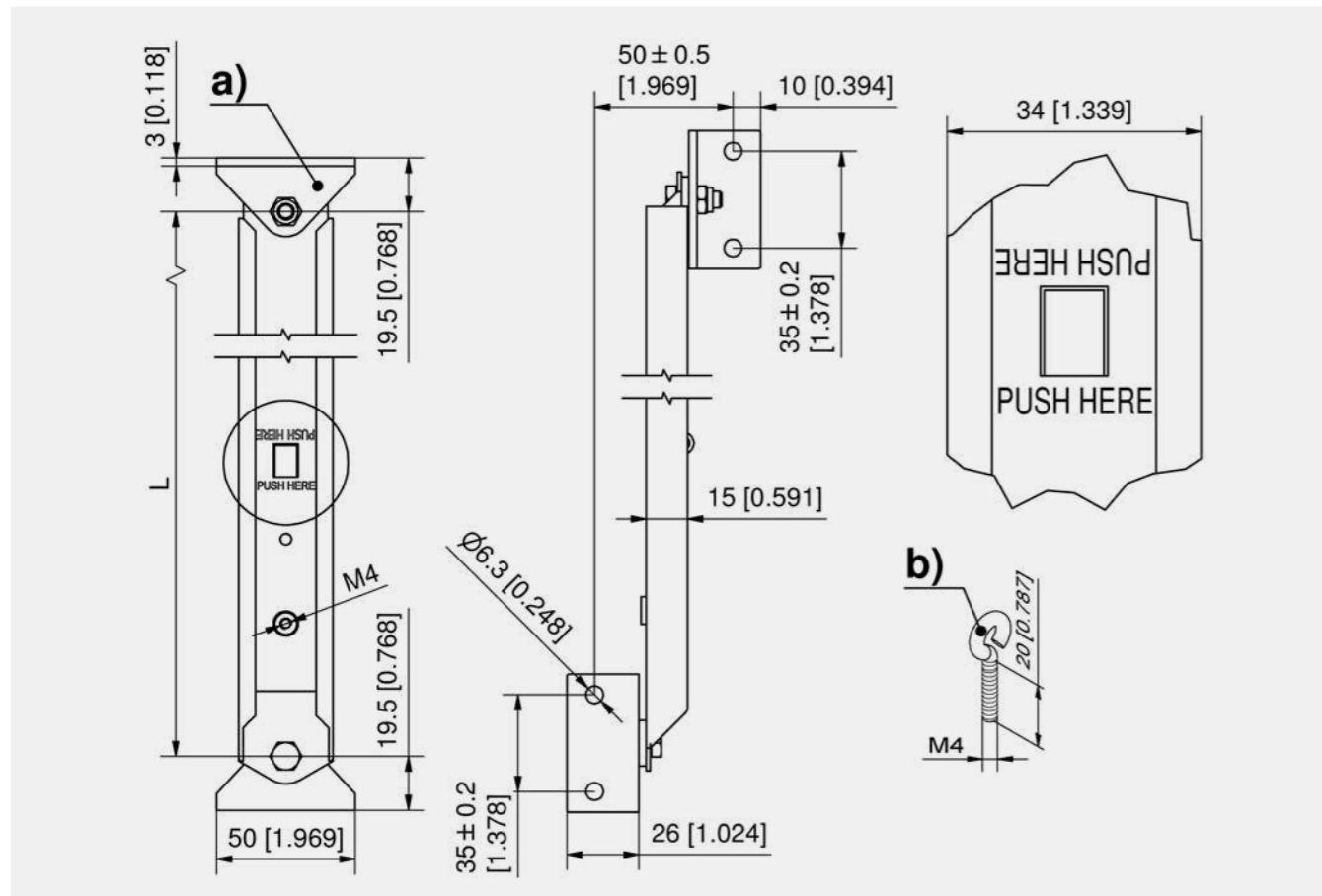
- For doors and lids.
- For wide lids with 2 cover stays you can release the 2 stops by installing 2 eyelets connected by a steel wire.
- RH / LH application.

**Materials**

- Telescopic cover support:** AISI 304

**Remarks**

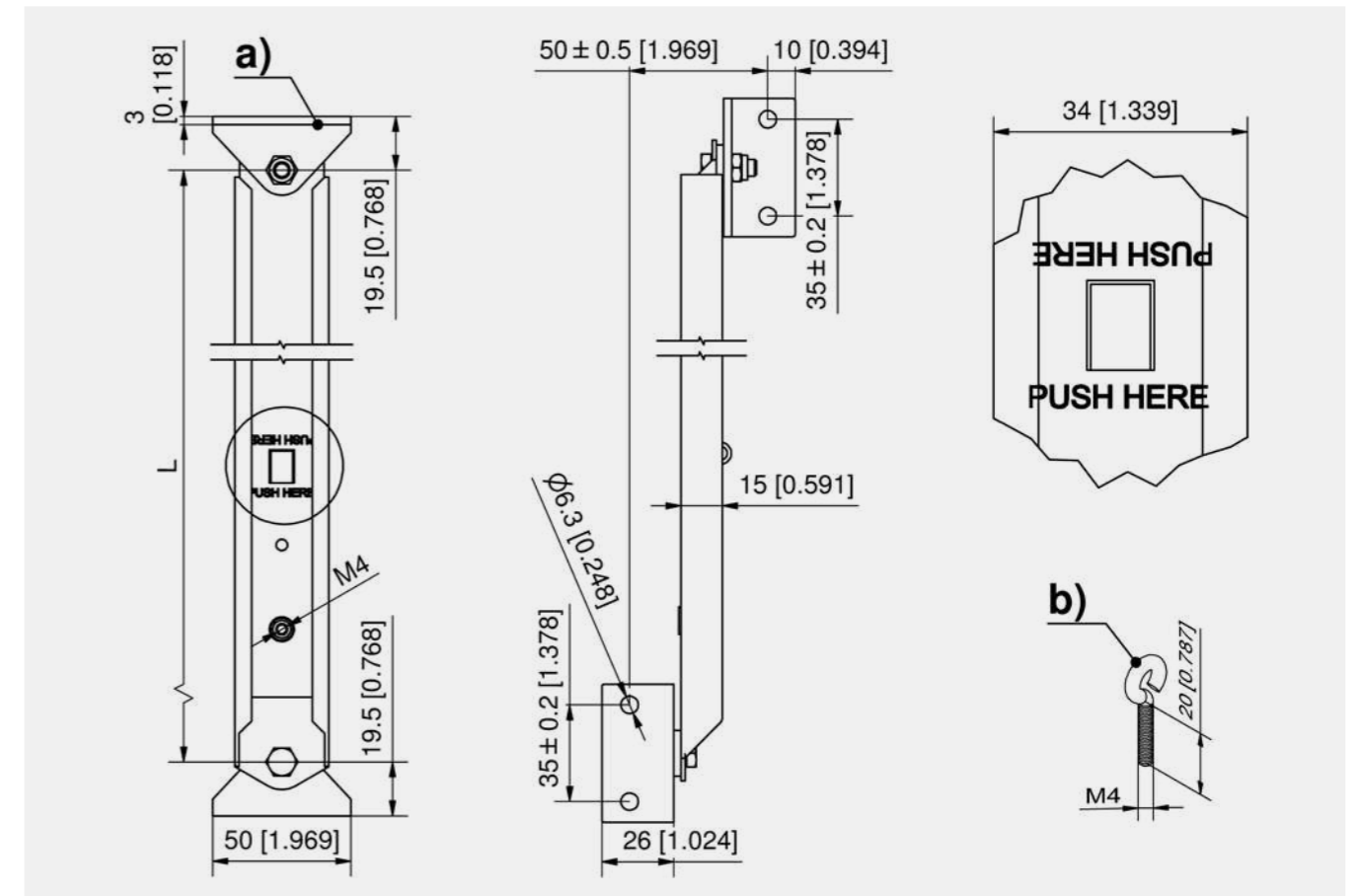
Other length L on request.  
For installation dimensions and application examples see DIRAK.com



Telescopic cover support

	Part Number	Length L retracted	Length L extended	Delivery Unit
a)	230-9305.00-00000	370±2	710±2	1 pc.
a)	230-9306.00-00000	215±2	355±2	1 pc.

Accessories	
b)	860-0048.07-00420 Eyelet



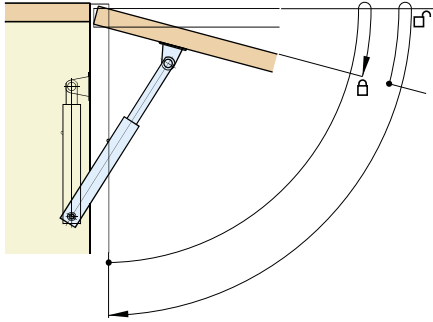
Telescopic cover support

	Part Number	Length L retracted	Length L extended	Delivery Unit
a)	230-9501.00-00000	370±2	710±2	5 pcs.
a)	230-9502.00-00000	215±2	355±2	5 pcs.

Accessories	
b)	860-0048.07-00420 Eyelet



## Support stays with automatic release



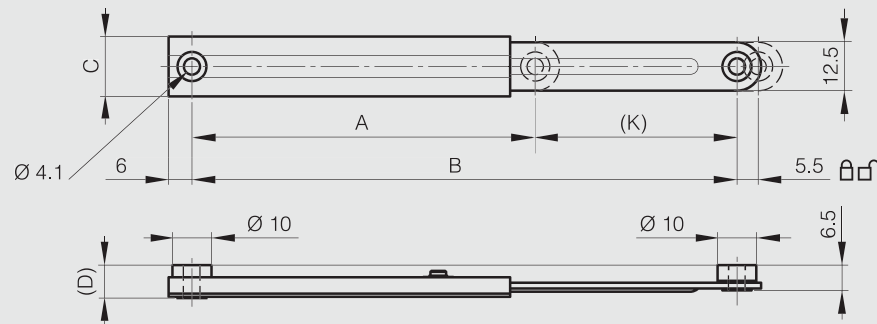
### Support stays with automatic release - small size

Load capacity: 6 kg.

Produced mainly in stainless steel, for a complete description of the materials contact us.



Part number	Material	Finish	A	B	C	D	K	Weight (g)
24-7-3571	304 stainless steel	raw	88	140	15.4	8.8	52	40
24-7-3577	304 stainless steel	raw	67	100	15.4	8.8	32	10



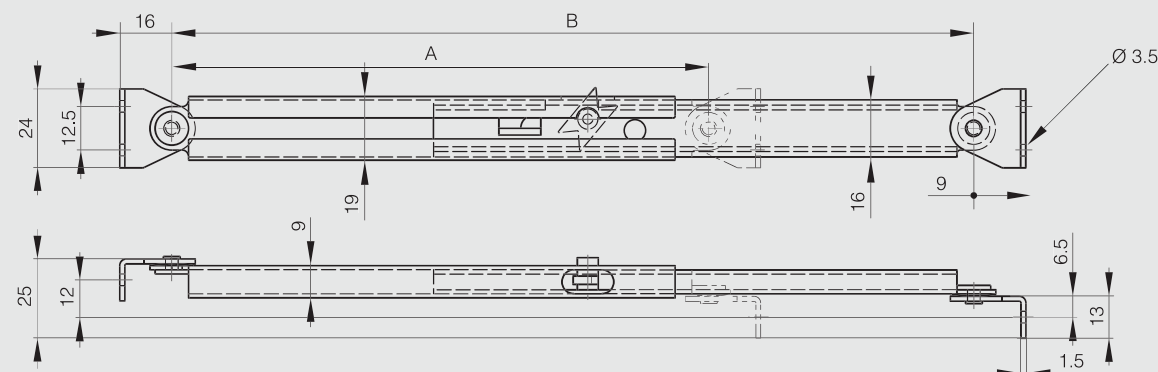
### Support stay with automatic release - 239 mm long

A = closed dimension.

B = extended dimension.



Part number	Material	Finish	A	B	Weight (g)
24-7-3542	steel	zinc plated	159	239	112



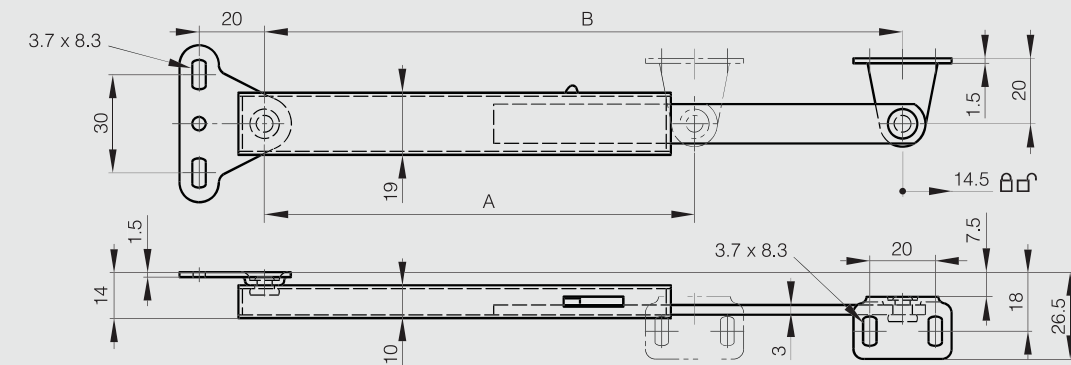
## Support stays with automatic release

### Support stays with automatic release in stainless steel

Load capacity: 15 kg.



Part number	Material	Finish	A	B	Weight (g)
24-7-3552	304 stainless steel	satin	133	195	125
24-7-3553	304 stainless steel	satin	170	270	150



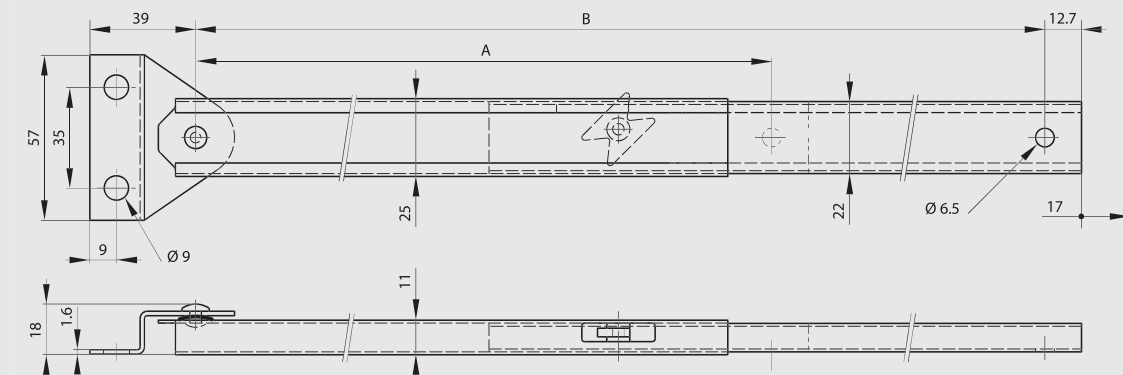
### Support stay with automatic release - 495 mm long

A = closed dimension.

B = extended dimension.



Part number	Material	Finish	A	B	Weight (g)
24-7-3543	steel	zinc plated	290	495	300

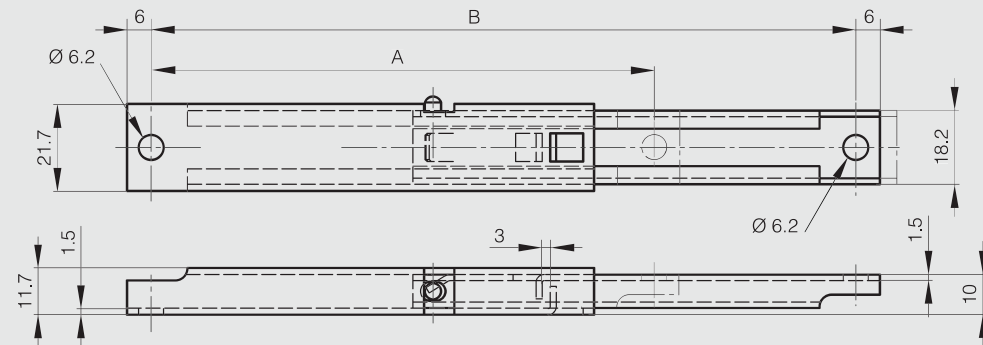


### Support stays with manual release

A = closed dimension.  
B = extended dimension.  
Load capacity: 50 kg.  
Push button release.



Part number	Material	Finish	A	B	Weight (g)
24-1-3558	304 stainless steel	raw	125	175	101
24-1-3559	304 stainless steel	raw	150	225	125
24-1-3560	304 stainless steel	raw	175	275	145

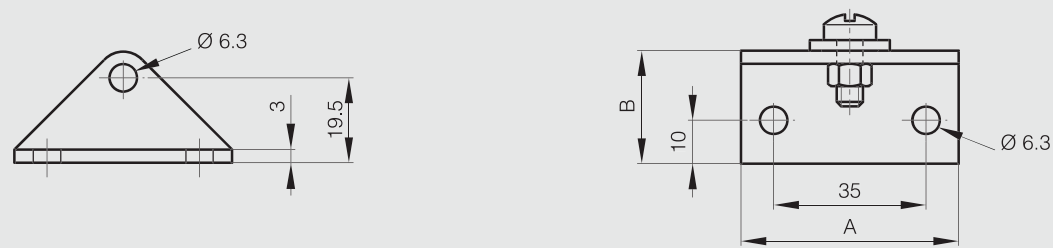


### Bracket

Complete with M6 screw, M6 nut and 3 mm thick washer (included).  
For part numbers 24-1-3558, 24-1-3559 and 24-1-3560.



Part number	Material	Finish	A	B	Weight (g)
99-1-3558	stainless steel	raw	50	26	60

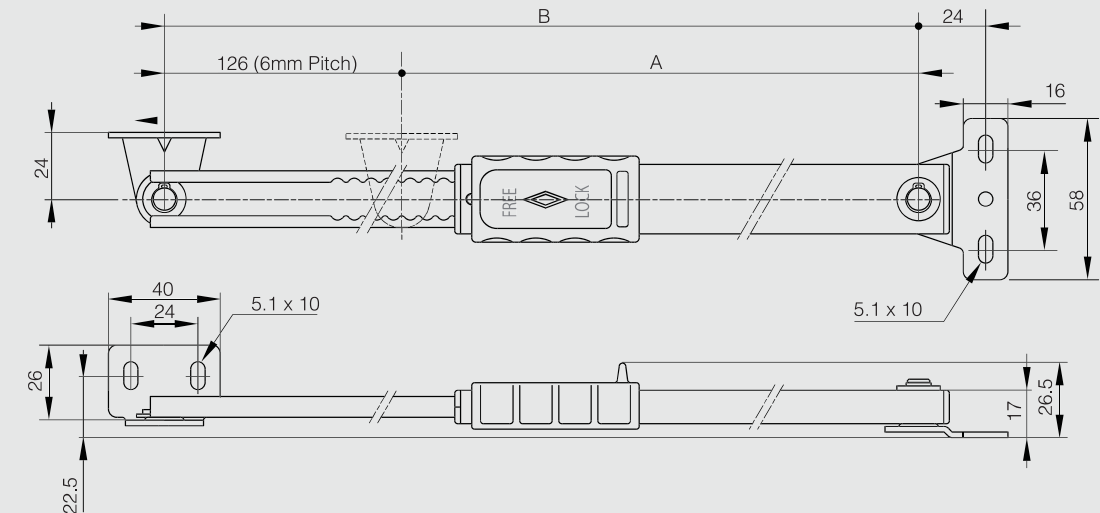


### Multi-angle lid stay with lock

Locks lid in multiple positions by manually sliding lock lever.  
Slide back lever to lock / unlock.  
Ideal for vibration or shock applications.  
Can be installed individually or in pairs.  
Non-handed: can be installed on left or right side.  
Compression load: max. 290 N.  
Produced mainly in stainless steel, for a complete description of the materials contact us.



Part number	Material	Finish	A	B	Weight (g)
24-7-3580	304 stainless steel	satın	224	350	325



## Support stay

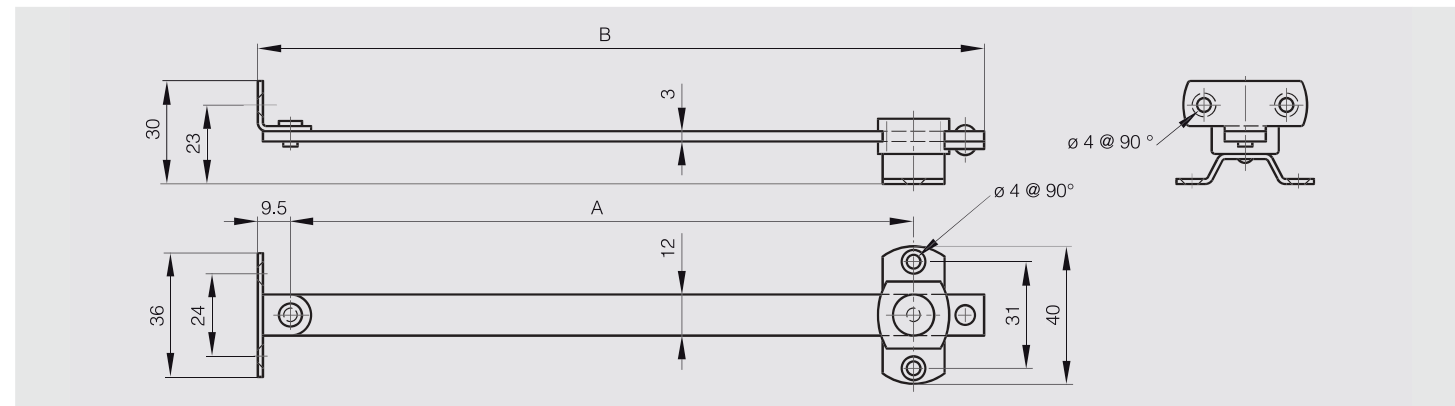
### Support stay

For limiting opening angle of panels..

Produced mainly in stainless steel, for a complete description of the materials contact us.



Part number	Material	Finish	A	B	Weight (g)
24-7-3546	304 stainless steel	satin	180	210	90
24-7-3547	304 stainless steel	satin	210	240	95
24-7-3548	304 stainless steel	satin	240	270	107



## Lid stays

### Heavy duty spring loaded stay

- Spring mechanism assists in lifting door and holds in open position (10° to 80°).

- Can be installed individually or in pairs.

- Non-handed: can be installed on left or right side.

- Torque calculation:

Torque (N.m) = H(m) x 1/2 x W (kg) x 9.8 with:

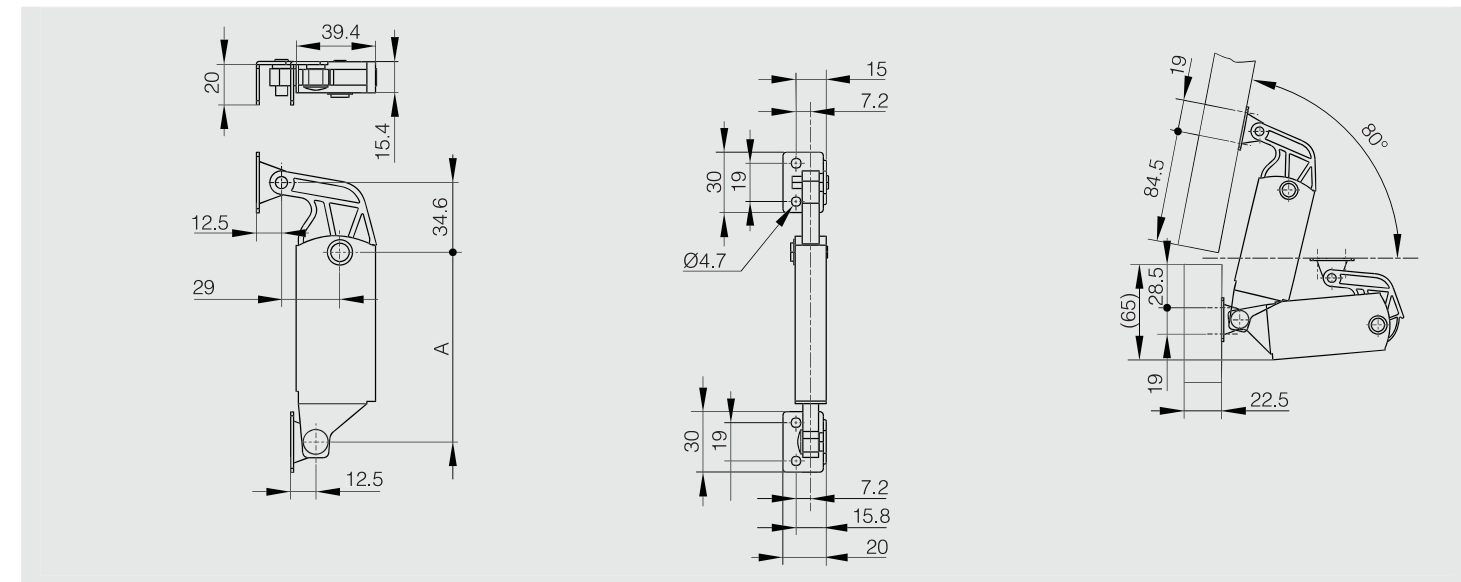
H = door height (m)

W = door weight (kg)

Produced mainly in stainless steel, for a complete description of the materials contact us.



Part number	Material	Finish	A	Torque	Weight (g)
24-7-3579	430 stainless steel	raw	94.2	8.8 - 11.8 N.m	195



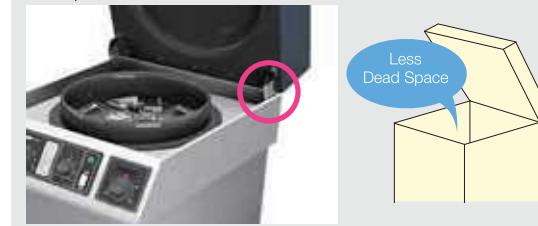
Easy Operation with power assist



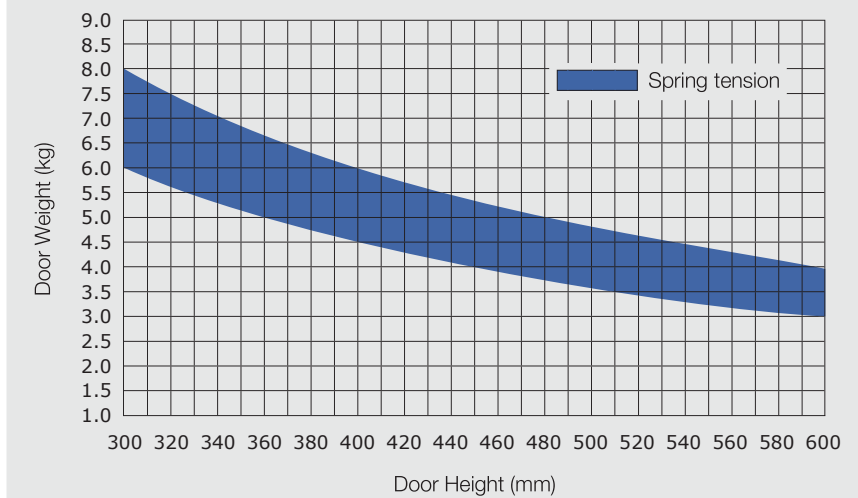
Free stop



Compact



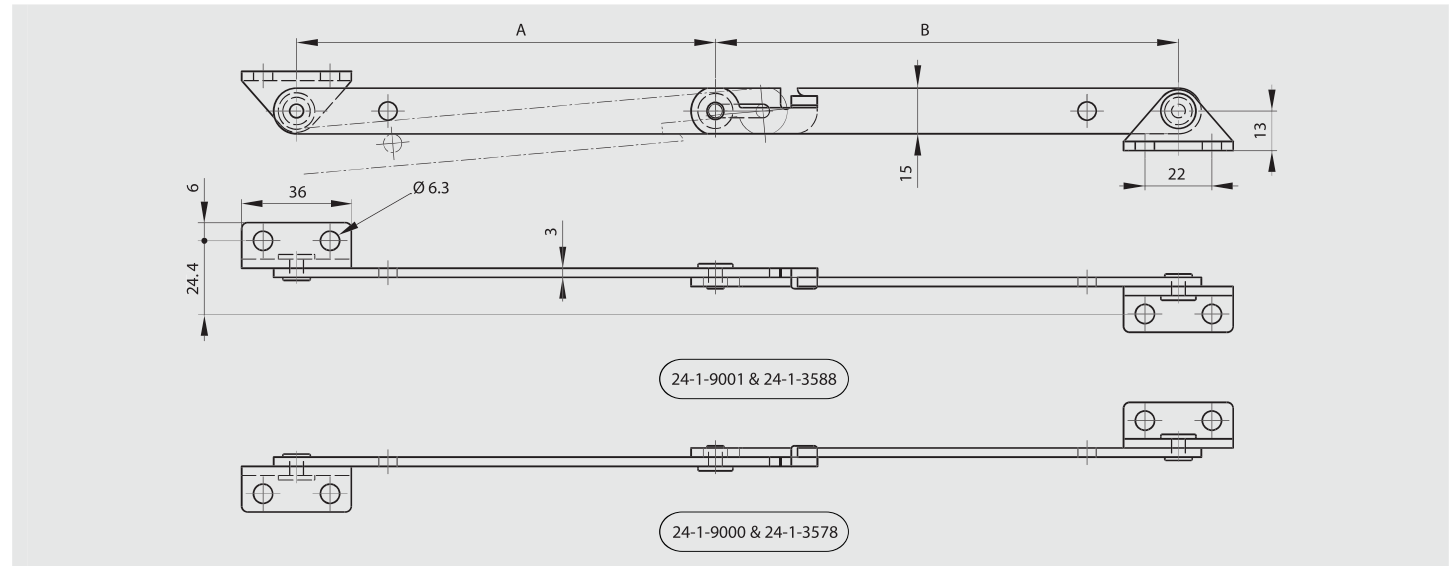
Selection graph



### Stay with safety stop

STAINLESS STEEL ✓  
STEEL ✓  
RoHS ✓

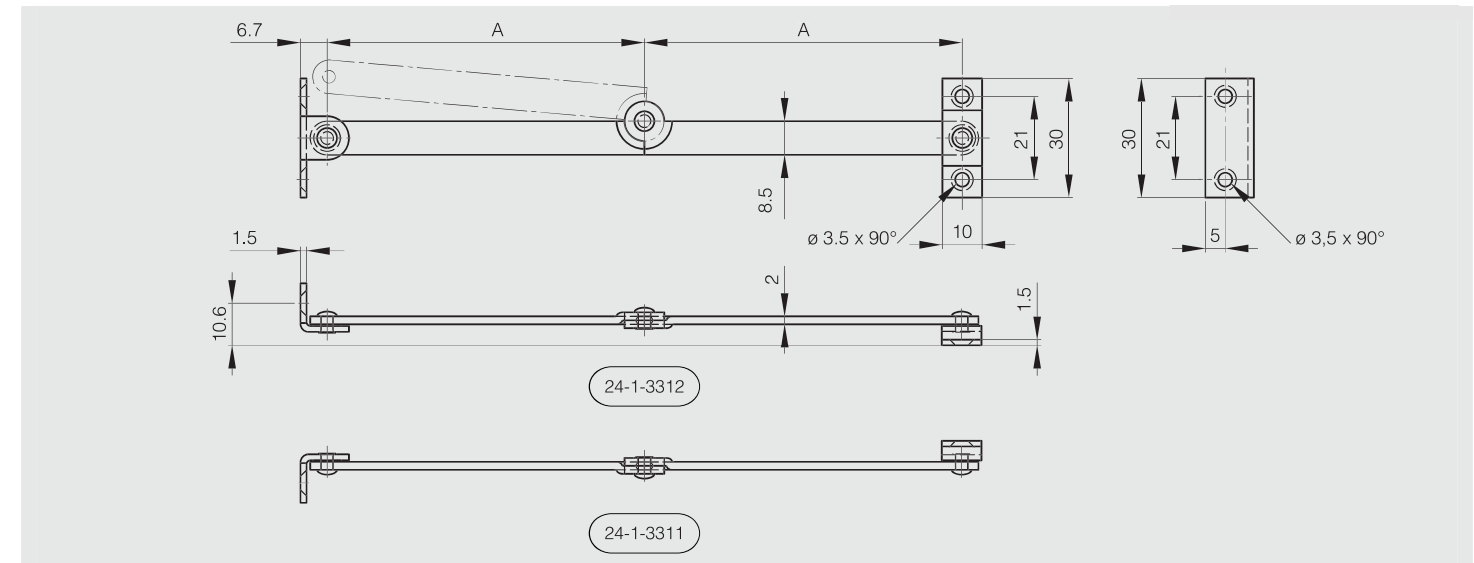
Part number	Material	Finish	A	B	Weight (g)
24-1-3578	steel	zinc plated	137.5	152	148
24-1-3588	steel	zinc plated	137.5	152	148
24-1-9000	304 stainless steel	raw	139	152	148
24-1-9001	304 stainless steel	raw	139	152	148



### Black zinc plated stays A

STEEL ✓  
RoHS ✓

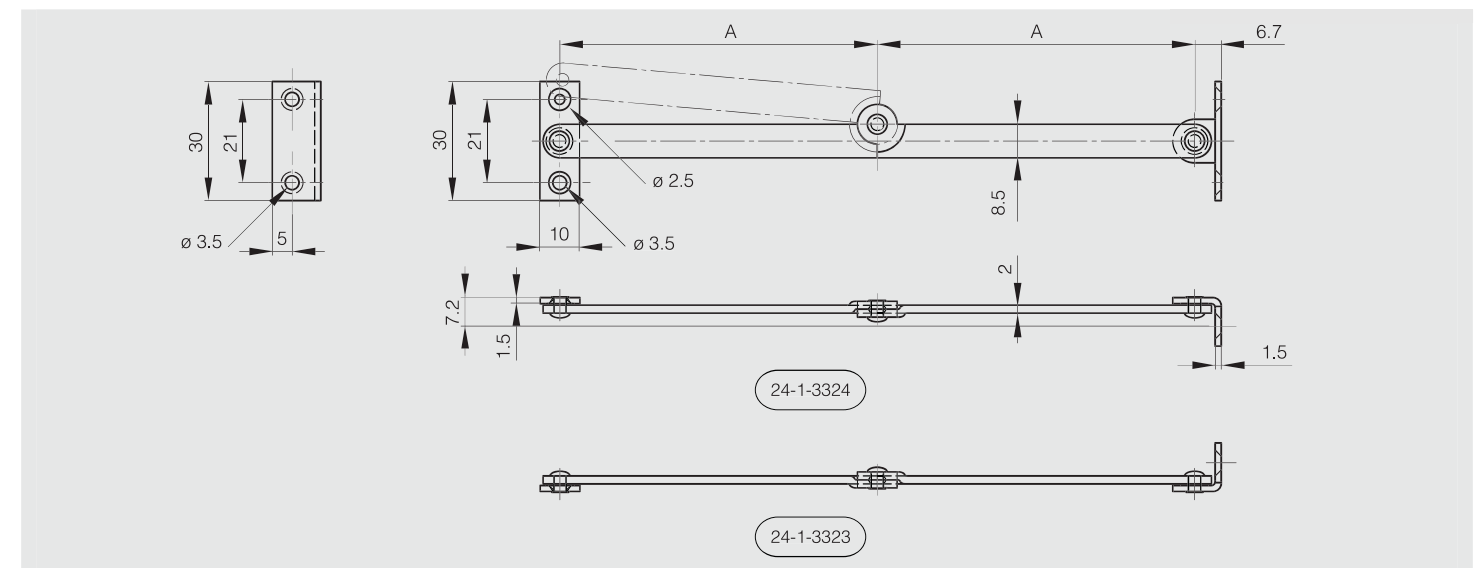
Part number	Material	Finish	A	Weight (g)
24-1-3311	steel	black zinc plated	80	34
24-1-3312	steel	black zinc plated	80	34



### Black zinc plated stays B

STEEL ✓  
RoHS ✓

Part number	Material	Finish	A	Weight (g)
24-1-3323	steel	black zinc plated	80	33
24-1-3324	steel	black zinc plated	80	33



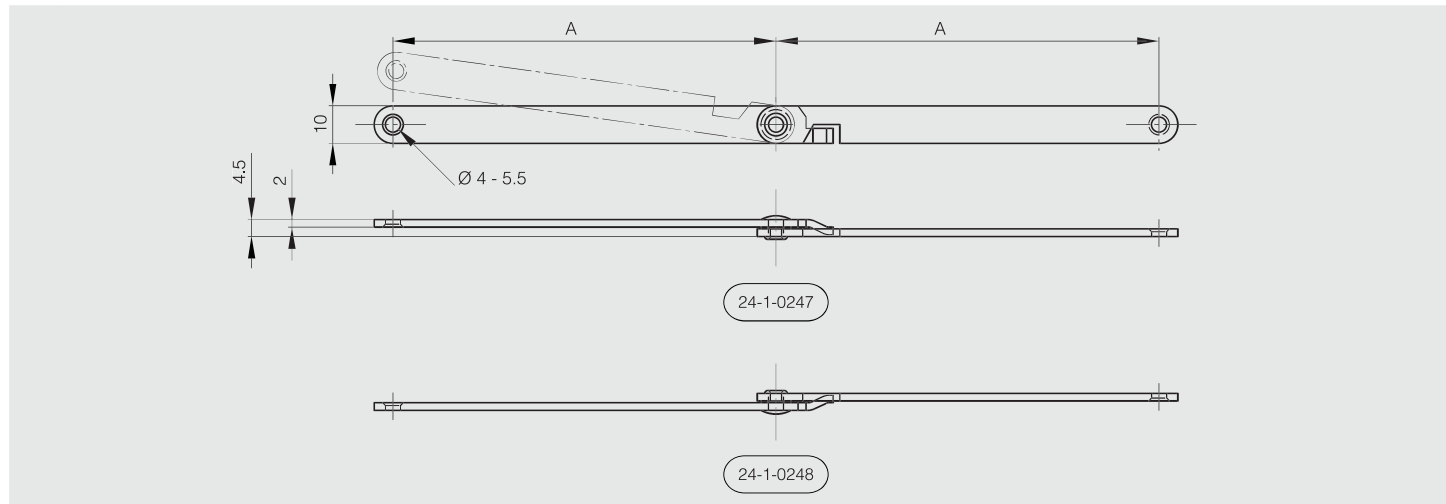


### Stays without bracket

Produced mainly in stainless steel, for a complete description of the materials contact us.



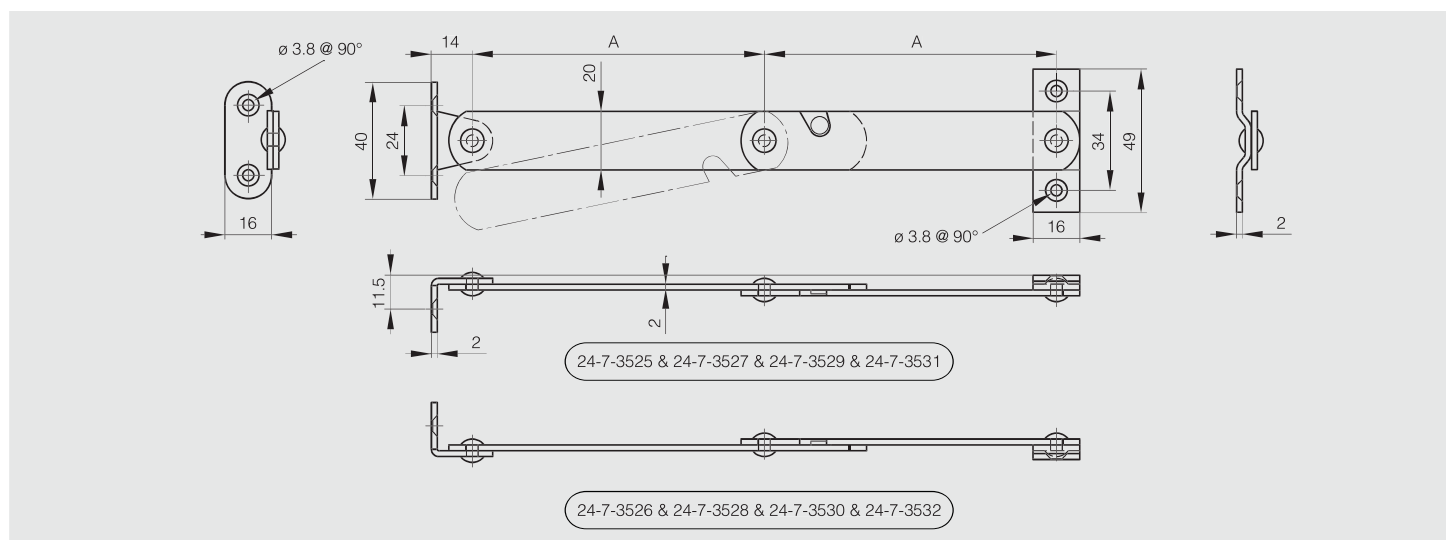
Part number	Material	Finish	A	Weight (g)
24-1-0247	304 stainless steel	polished	102	35
24-1-0248	304 stainless steel	polished	102	35



### Zinc plated stays



Part number	Material	Finish	A	Weight (g)
24-7-3525	steel	zinc plated	125	116
24-7-3526	steel	zinc plated	125	116
24-7-3527	steel	zinc plated	150	133
24-7-3528	steel	zinc plated	150	133
24-7-3529	steel	zinc plated	175	152
24-7-3530	steel	zinc plated	175	152
24-7-3531	steel	zinc plated	200	167
24-7-3532	steel	zinc plated	200	167

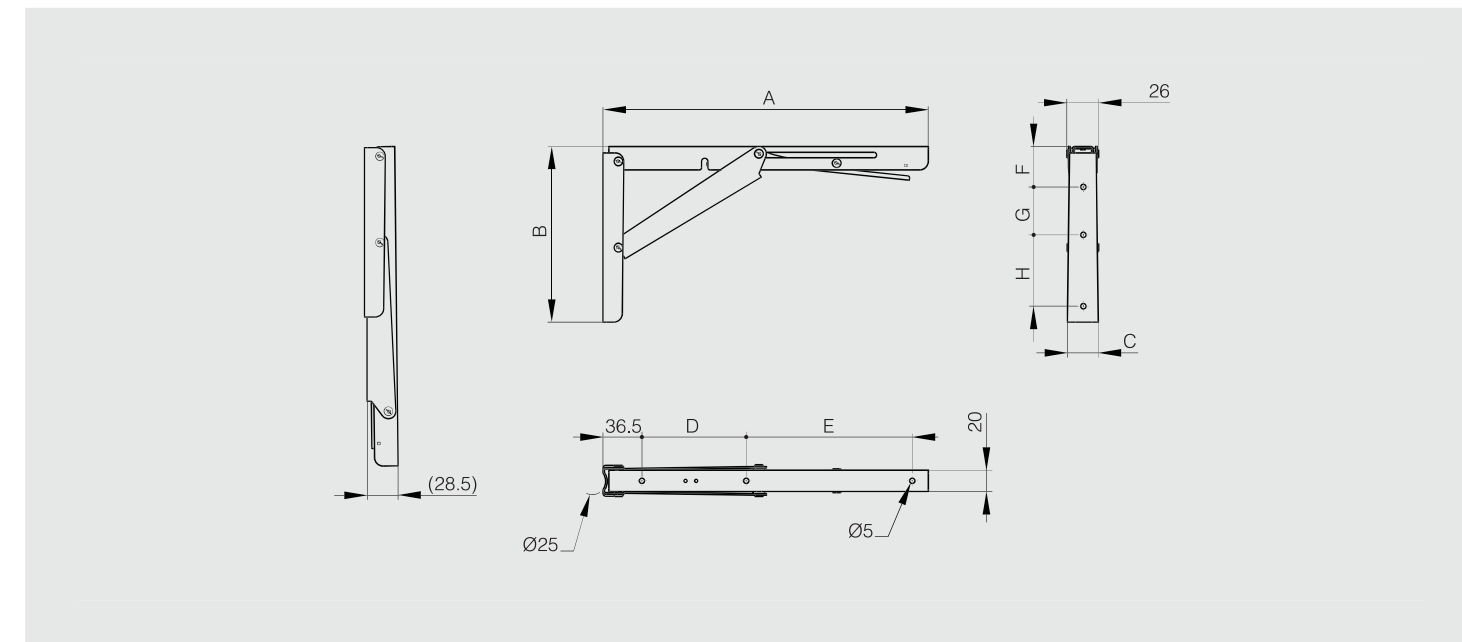


### Folding bracket



Automatically locks when flap is in opened position.  
Press lever to release the lock.  
Bracket with hinge function in one unit.  
Load capacity:  
24-7-2587 = 150kg/unit  
24-7-3595 = 175kg/unit

Part number	Material	Finish	A	B	C	D	E	F	G	H	Weight (g)
<b>NEW</b> 24-7-3595	304 stainless steel	polished	201	116	29	155	-	21	80	-	332
24-7-3587	304 stainless steel	polished	307	165	29	98	156	38	45	67	515





**Advantages**

- Wind stop with automatic lock to keep the door open.
- RH / LH application.

**Materials**

■ **Wind stop:** steel, zinc plated

**Remarks**

Detailed dimensions see drawing.  
For installation dimensions and application examples see DIRAK.com



**Advantages**

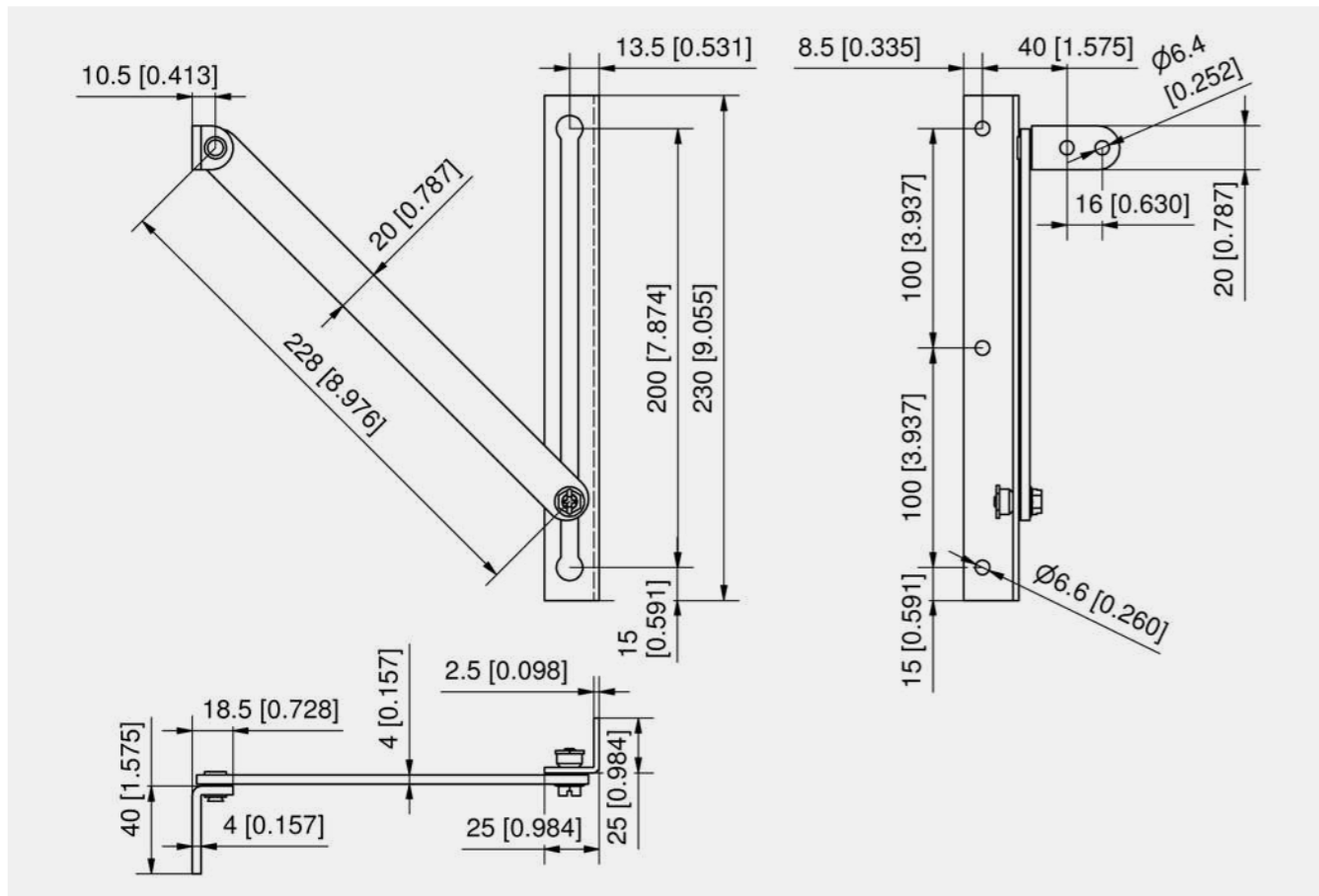
- Wind stop with automatic lock to keep the door open.
- RH / LH application.

**Materials**

■ **Wind stop:** AISI 304

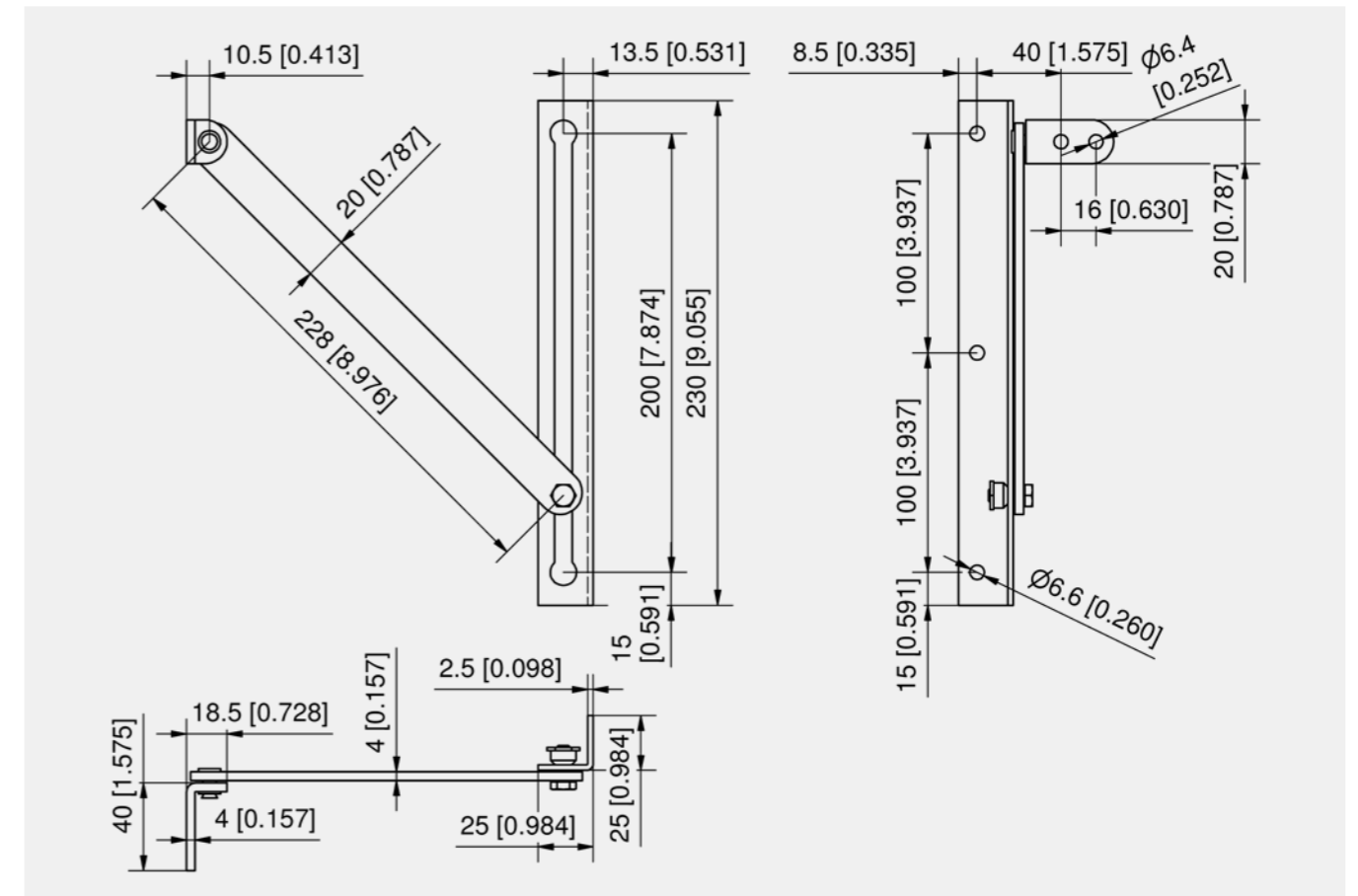
**Remarks**

Detailed dimensions see drawing.  
For installation dimensions and application examples see DIRAK.com



Wind stop

Part Number	Version	Automatic lock	Delivery Unit
221-9001.00-00000	RH/LH	Yes	5 pcs.



Wind stop

Part Number	Version	Automatic lock	Delivery Unit
221-9101.00-00000	RH / LH	Yes	5 pcs.





## Door holder

### Door holders

Automatically locks door when fully opened. Slide the locking lever to release the lock.

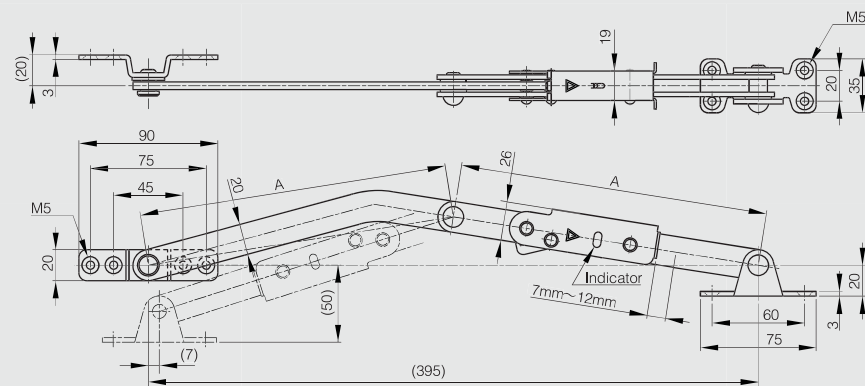
Tensile force: Max 1500 N.

Compression load: Max 600 N.

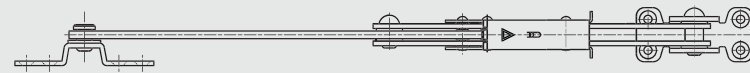
Handed: specific left and right hand mounting.

STAINLESS  
STEEL

Part number	Material	Finish	A	Weight (g)
22-7-3547	304 stainless steel	polished	200	630
22-7-3548	304 stainless steel	polished	200	630



22-7-3547



22-7-3548

