



STRAIGHT-LINE ACTION SERIES

In this series, the circular movement of the control lever is transformed into a linear movement of the push rod. Except for models 120/AS and 300/AS, this series works and clamps either by pushing or pulling. The light version meets clamping requirements from 80 to 720 daN, while the heavy-duty series from 120 to 4500 daN.

PERFORMANCE

FOR THE LIGHT SERIES: Push rod, guide sleeve and other parts in galvanized sheet steel.

The main feature of the ASD/ASS models is the low force application point as well as the very reduced vertical encumbrance. Models 80-165-340/AS have the possibility of front mounting with an external thread that enables rotation of the control lever to the most favourable position for use. The bracket increases the range of applications.

FOR THE HEAVY-DUTY SERIES: Hot forged ASTM A105 steel base body with manganese phosphated finishing for all sizes. Riveted pins for sizes 70-160-360. Pins with bushings hardened for the other sizes. Push rod and control lever in galvanized steel.

PUSH AND PULL STRAIGHT-LINE ACTION SERIES

Material:

Galvanized steel

Riveted pivots, sliding push bar and bearing:

Galvanized steel

Handles:

Red polyurethane resistant to oils, grease and other chemical agents.

Performance:

Form ASS

- push clamping with clockwise control lever rotation

- traction clamping with anti-clockwise control lever rotation

Form ASD

- push clamping with anti-clockwise control lever rotation

- traction clamping with clockwise control lever rotation

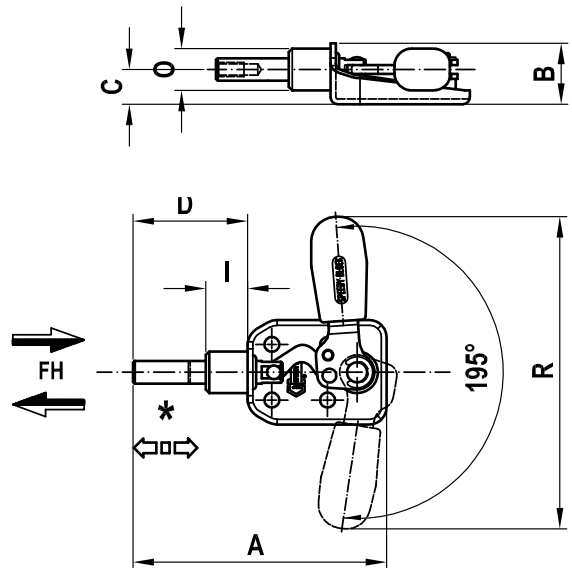
Spindles:

To be ordered separately (see Accessories on page 87).

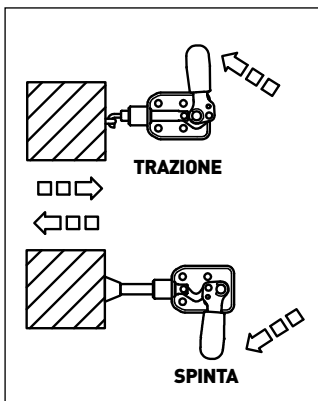
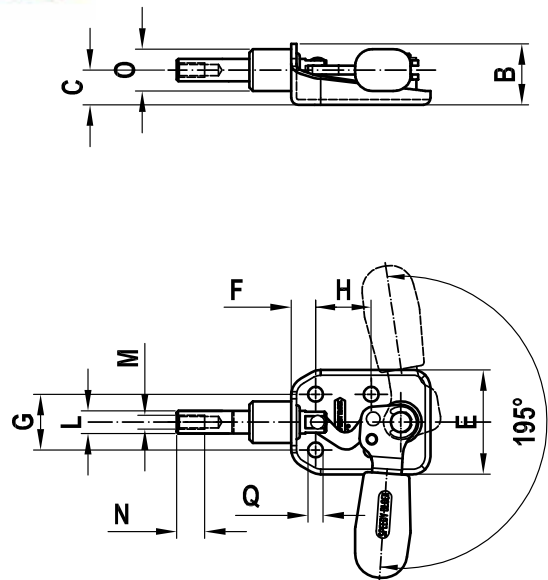
Features and applications:

The main feature of this series is its low force application point as well as the very reduced vertical encumbrance. A special grease is placed between two contacting surfaces during assembly.

FORM ASD

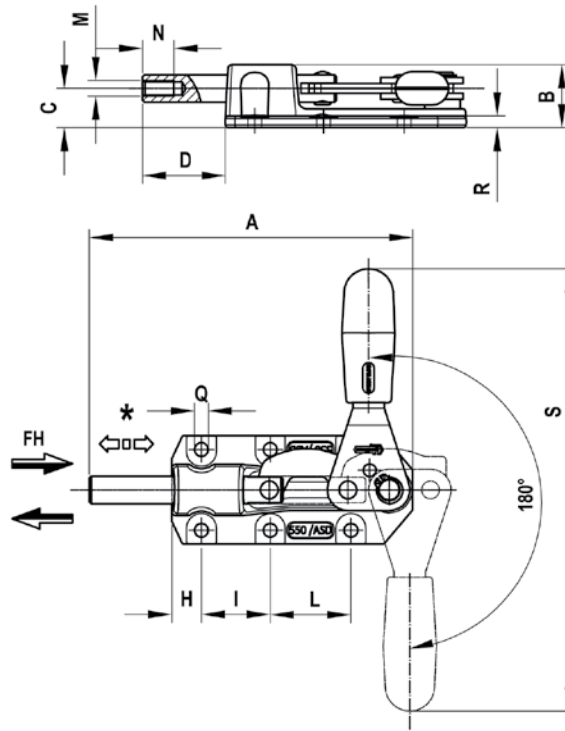


FORM ASS



Code	Description	A	B	C	D	E	F	G	H	I	L	M	N	O	Q	R	*	Fh (daN)	gr.
AG050	50/ASD	73	17,5	10	33	30,5	7	16	16	12	6,5	M4	9	12	4,3	90	16	80	60
AG055	50/ASS	73	17,5	10	33	30,5	7	16	16	12	6,5	M4	9	12	4,3	90	16	80	60

FORM ASD



PUSH AND PULL STRAIGHT-LINE ACTION SERIES

Material:

Galvanized steel

Riveted pivots, push bar and control lever:

Galvanized steel

Basic clamp body:

ASTM A105 hot forged steel with manganese phosphated finishing.

Handles:

Red polyurethane resistant to oils, grease and other chemical agents.

Performance:

Form ASS

- push clamping with clockwise control lever rotation

- traction clamping with anti-clockwise control lever rotation

Form ASD push clamping

- with anti-clockwise control lever rotation

- traction clamping with clockwise control lever rotation

Spindles:

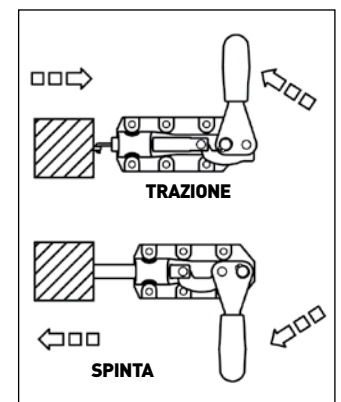
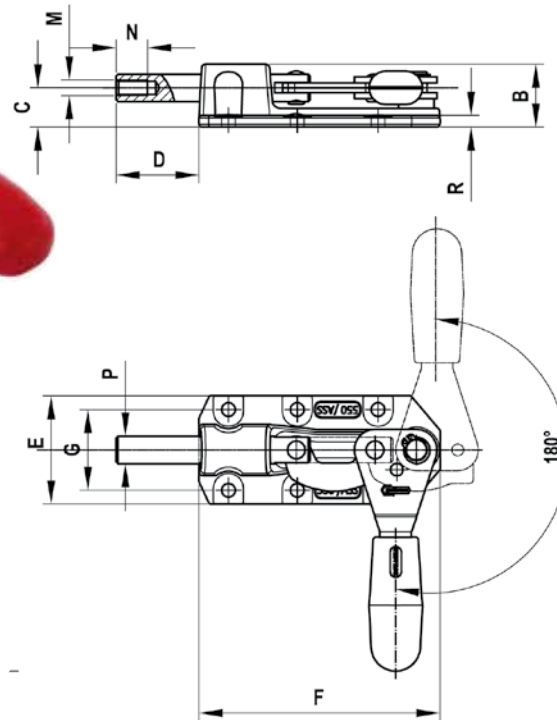
To be ordered separately (see Accessories on page 87).

Features and applications:

The main feature of this series is its low force application point as well as the very reduced vertical encumbrance.

A special grease is placed between two contacting surfaces during assembly.

FORM ASS



Code	Description	A	B	C	D	E	F	G	H	I	L	M	N	P	Q	R	S	*	Fh (daN)	gr.
AG075	70/ASD	85	19,5	12	22	36	64	26	13	26		M6	12	8,5	4,3	6	98	20	90	160
AG080	70/ASS	85	19,5	12	22	36	64	26	13	26		M6	12	8,5	4,3	6	98	20	90	160
AG165	160/ASD	117	25	15	32	46	85	33,5	11,5	36,5		M6	12	11	5,5	7	158	30	130	350
AG170	160/ASS	117	25	15	32	46	85	33,5	11,5	36,5		M6	12	11	5,5	7	158	30	130	350
AG175	550/ASD	164,5	32	20	42	55	122,5	41	15	35	41	M8	16	14	7	7	225	42	450	720
AG180	550/ASS	164,5	32	20	42	55	122,5	41	15	35	41	M8	16	14	7	7	225	42	450	720

ONLY PUSH STRAIGHT-LINE ACTION SERIES

Material:

Galvanized steel

Riveted pivots, push bar, sliding bearing and nut:

Galvanized steel

Handles:

Red polyurethane resistant to oils, grease and other chemical agents.

Spindles:

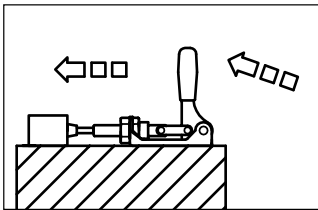
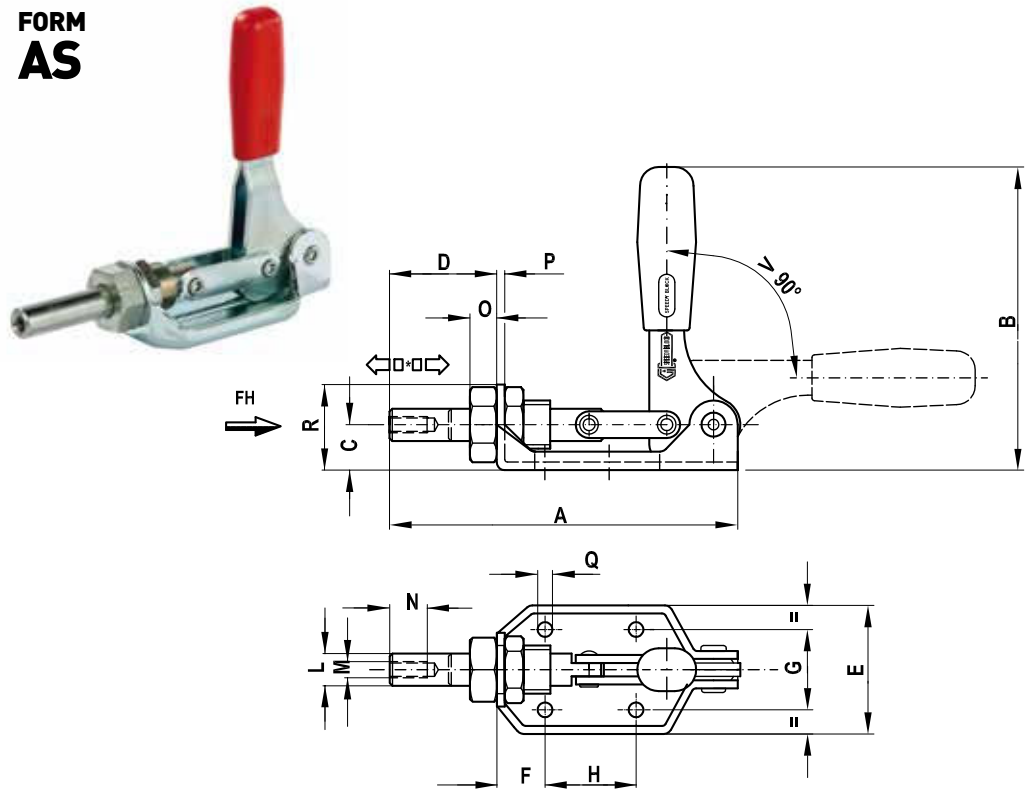
To be ordered separately (see Accessories on page 87).

Features and applications:

The tools of this series can only be pushed.

A special grease is placed between two contacting surfaces during assembly.

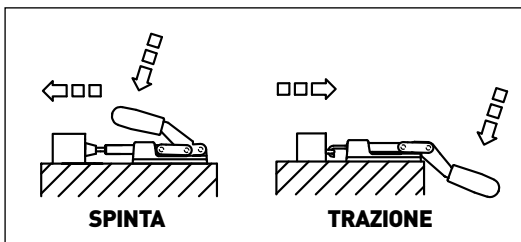
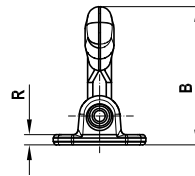
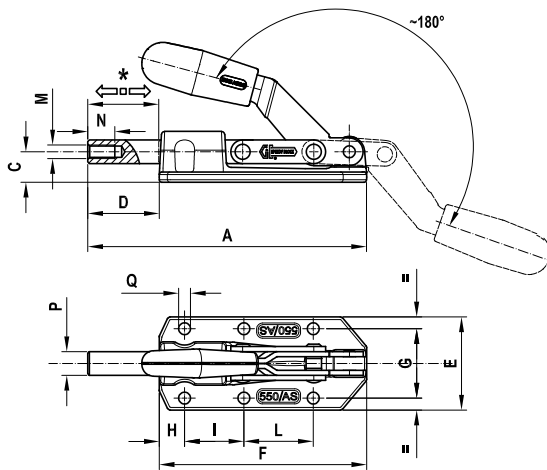
FORM AS



Code	Description	A	B	C	D	E	F	G	H	L	M	N	O	P	Q	R	*	Fh (daN)	gr.
AG120	120/AS	130	111	17	40	48	18	30	34	12	M6	12	10	3	5,5	32	20	360	350
AG300	300/AS	167	140	20	57	58	18	34	50	14	M8	16	12	3	6,5	36	33	720	560



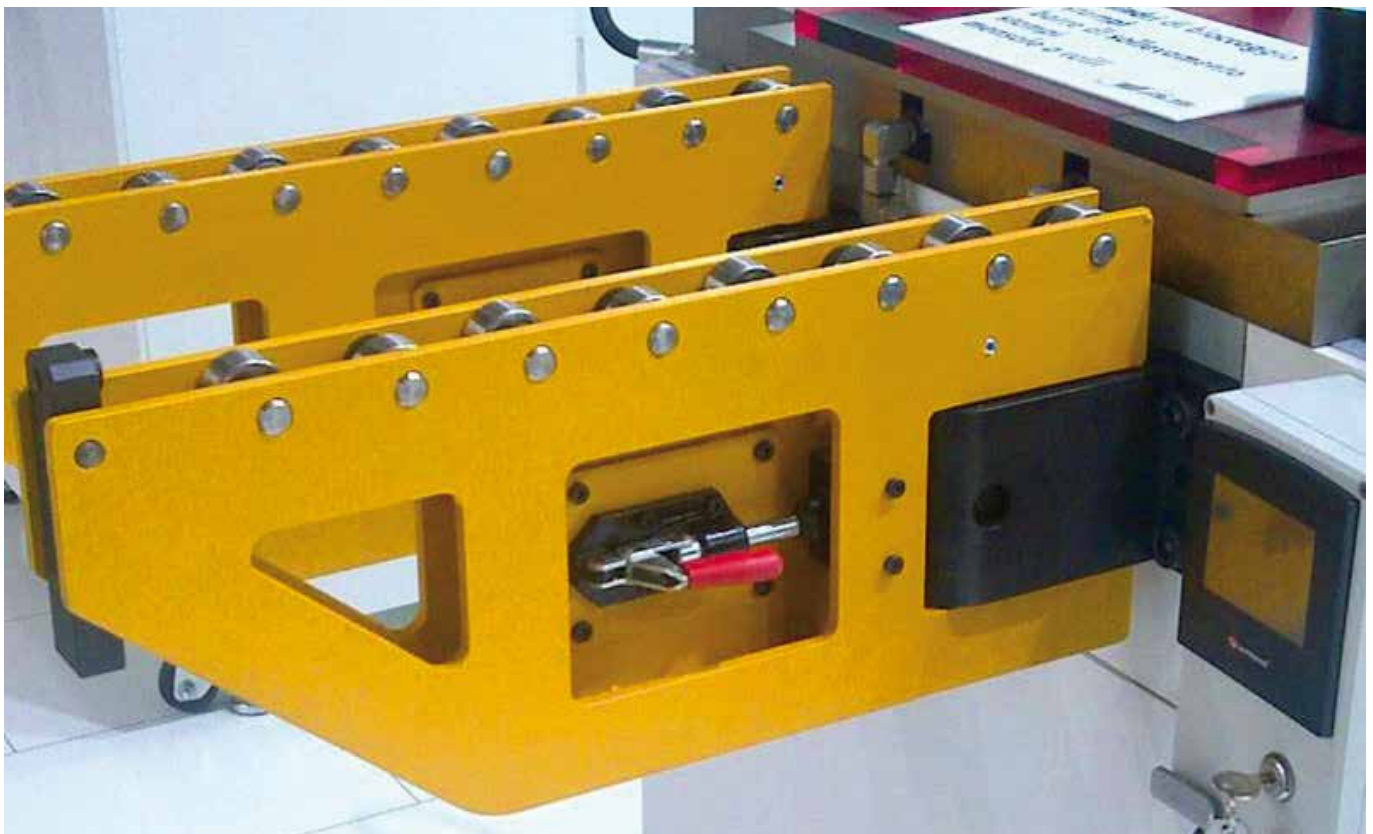
FORM AS



PUSH AND PULL STRAIGHT-LINE ACTION SERIES

Material: Galvanized steel
Riveted pivots, push bar and control lever: Galvanized steel
Basic clamp body: STM A105 hot forged steel and 304 stainless steel for mod. 70-160-360 / ASX
Finish: Manganese phosphating for mod. 70-160-1100 / AS. Painting for mod. 360-550-2100-3100 / AS. Polishing for mod. 70-160-360 / ASX
Handles: Red polyurethane; resistant to oils, grease and other chemical agents.
Spindles: To be ordered separately (see Accessories on page 87).
Features and applications:
 The tools of this series can either be pushed or pulled.
 A special grease is placed between two contacting surfaces during assembly.
 This pneumatic actuated series is found on page 84-85.

Code	Description	Stainless steel Code	Description	A	B	C	D	E	F	G	H	I	L	M	N	P	Q	R	*	Fh (daN)	gr.
AG070	70/AS	AS395	70/ASX	86	41	12	22	36	64	26	13	26		M6	12	8,5	4,3	6	20	120	165
AG160	160/AS	AS397	160/ASX	116	56	15	31	46	85	33,5	11,5	36,5		M6	12	11	5,5	7	30	280	360
AG351	360/AS	AS399	360/ASX	122	70	25	32	45,5	90	33,5	30	36,5		M8	15	12	5,5	7	32	560	485
AG355	550/AS			164,5	75	18	42	55	122,5	41	15	35	41	M8	16	14	7	7	42	800	750
AG361	1100/AS			182	92	25	49	57	133	41	15	35	41	M10	18	16	8,5	8	50	1600	1060
AG371	2100/AS			238	118,5	35	61	70	177	50	35	50	50	M12	22	20	8,5	10	60	2500	2280
AG381	3100/AS			316	137	40	100	76	216	54	40	70	70	M14	25	22	11	10	100	4500	3350



PUSH AND PULL STRAIGHT-LINE ACTION SERIES

The sizes of this series are also produced in stainless steel and are shown below in red.

Material: Galvanized steel or **AISI 304 stainless steel**

Riveted pivots, push bar, bushing fixing screws and sliding bearing and ring:

Galvanized steel or **AISI 304 stainless steel**

Sliding bushes: Galvanized steel or **AISI 303 steel**

Mounting bracket (to be ordered separately): Galvanized steel or **AISI 304 stainless steel**

Handles: Red polyurethane resistant to oils, grease and other chemical agents.

Spindles: To be ordered separately (see Accessories on page 87)

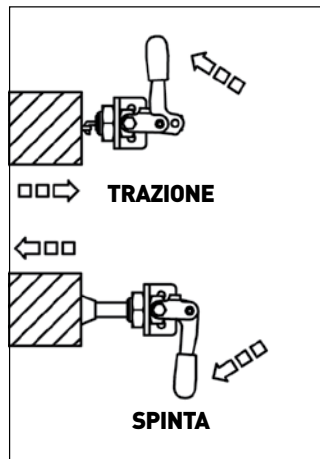
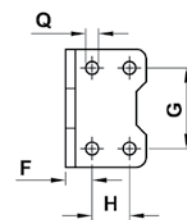
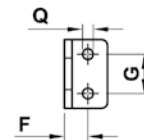
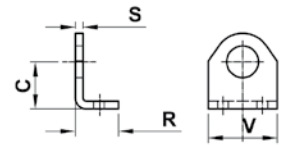
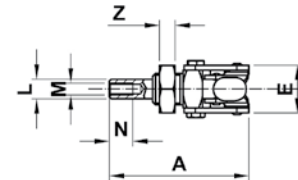
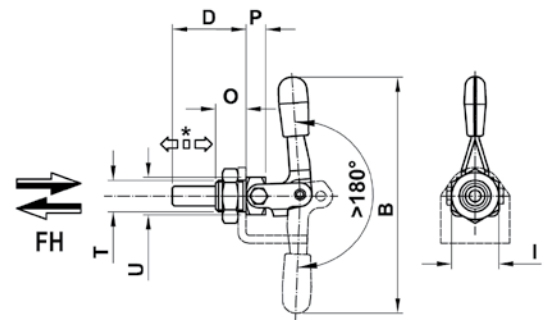
Features and applications:

Thanks to the front thread, the tools of this series can be mounted directly on the equipment used and the control lever can be turned to the most favourable position for use.

The mounting bracket (order separately) increases the possibility of use.

A special grease is placed between two contacting surfaces during assembly.

FORM AS



Code	Description	Stainless steel Code	Description	A	B	D	E	I	L	M	N	O	P	T	U	Z	*	Fh (daN)	gr.
AG401	80/AS	AS401	80/ASX	71	120	38	24	24	10	M6	12	15,5	10	M16X1,5	19	8	21	300	135
AG406	165/AS	AS406	165/ASX	113	194	59	28	30	12	M8	15	20	16	M20X1,5	22	9	38	540	335
AG411	340/AS	AS411	340/ASX	173	256	90	38	36	16	M10	18	22	28	M24X2	30	10	66	700	835

Code	Description	Stainless steel Code	Description	C	F	G	H	Q	R	S	V	Supporto per modello
AG416	30080	AS416	30080X	24	8	20	-	5,5	22	4	35	80/AS - 80/ASX
AG421	30165	AS421	30165X	32	13,5	41	19	6,5	41	5	60	165/AS - 165/ASX
AG426	30340	AS426	30340X	48	19	55	25	8,5	59	5	75	340/AS - 340/ASX



