

Locking Bar System □ 10

[6-320.01]

RoHS
WEEE



Locking bar system for heavy doors

Advantages

- Both ends come ready to be connected to the handle mechanism.
- By cutting the bar, the handle mechanism can be installed in any position.
- Included in the scope of delivery: Locking bar system incl. base plate and 2 rod guides.
- Please order separately:**
Rod one-piece

Materials

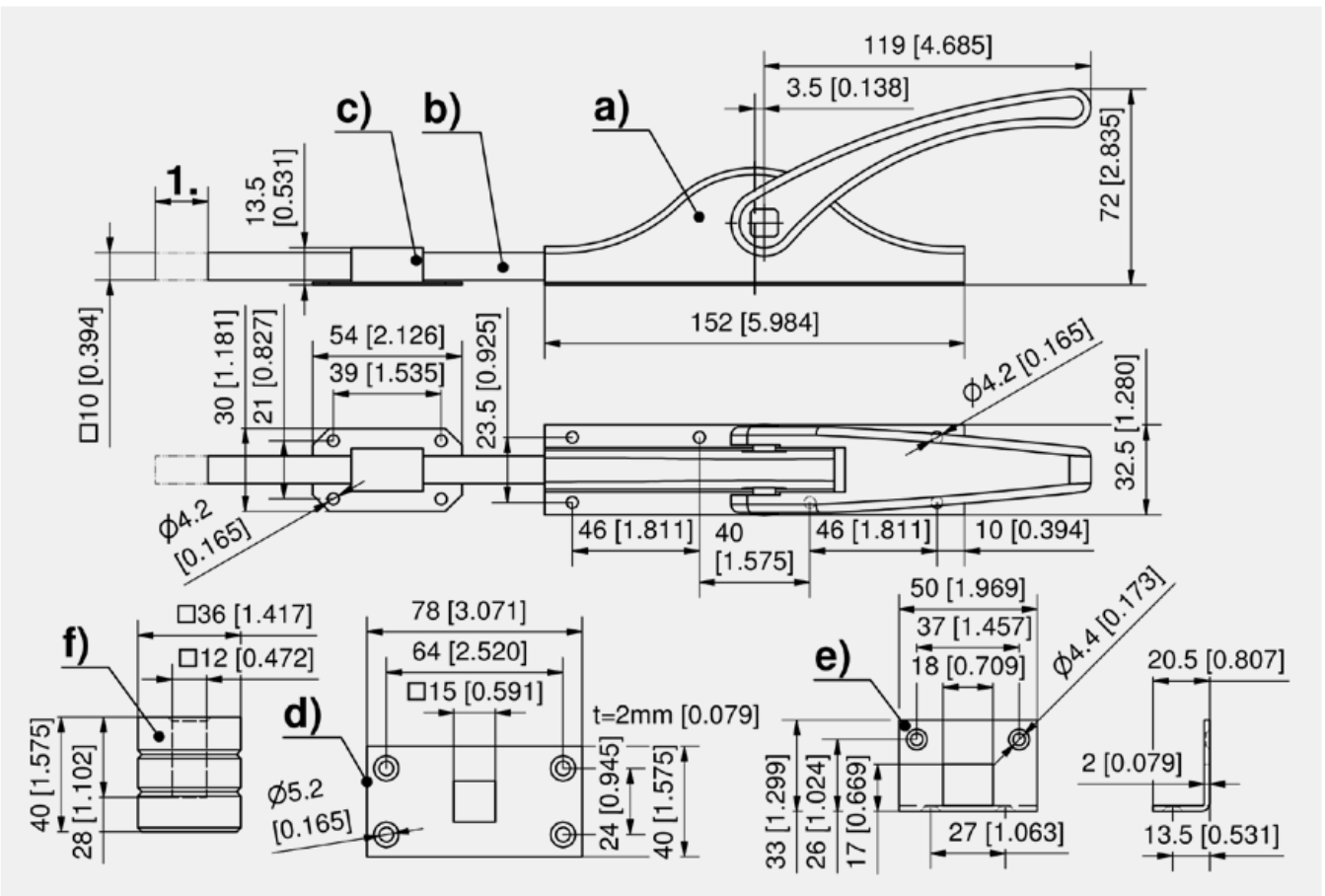
- Handle mechanism with base plate, bar guides and bars:** steel, zinc plated

Remarks

- Stroke 19mm

Latches

www.METALIKA-KACIN.com



Locking bar system incl. base plate and 2 rod guides

Part Number	Multi-point latches	Installation type
a) 249-9005.00-00000	Yes	screw-on

Accessories	
b)	249-0502.00-00000 Rod for locking bar system □ 10, 2000mm
b)	249-0503.00-00000 Rod for locking bar system □ 10, 2500mm
b)	249-0504.00-00000 Rod for locking bar system □ 10, 3000mm
c)	249-0408.00-00000 Rod guide for locking bar system □ 10
e)	249-0301.00-00000 Bottom plate, angled

Accessories	
f)	249-0601.00-00000 Bar latching bushing for concrete, 2 parts
d)	249-0204.00-00000 Bottom plate, straight



Locking bar system for heavy doors

Advantages

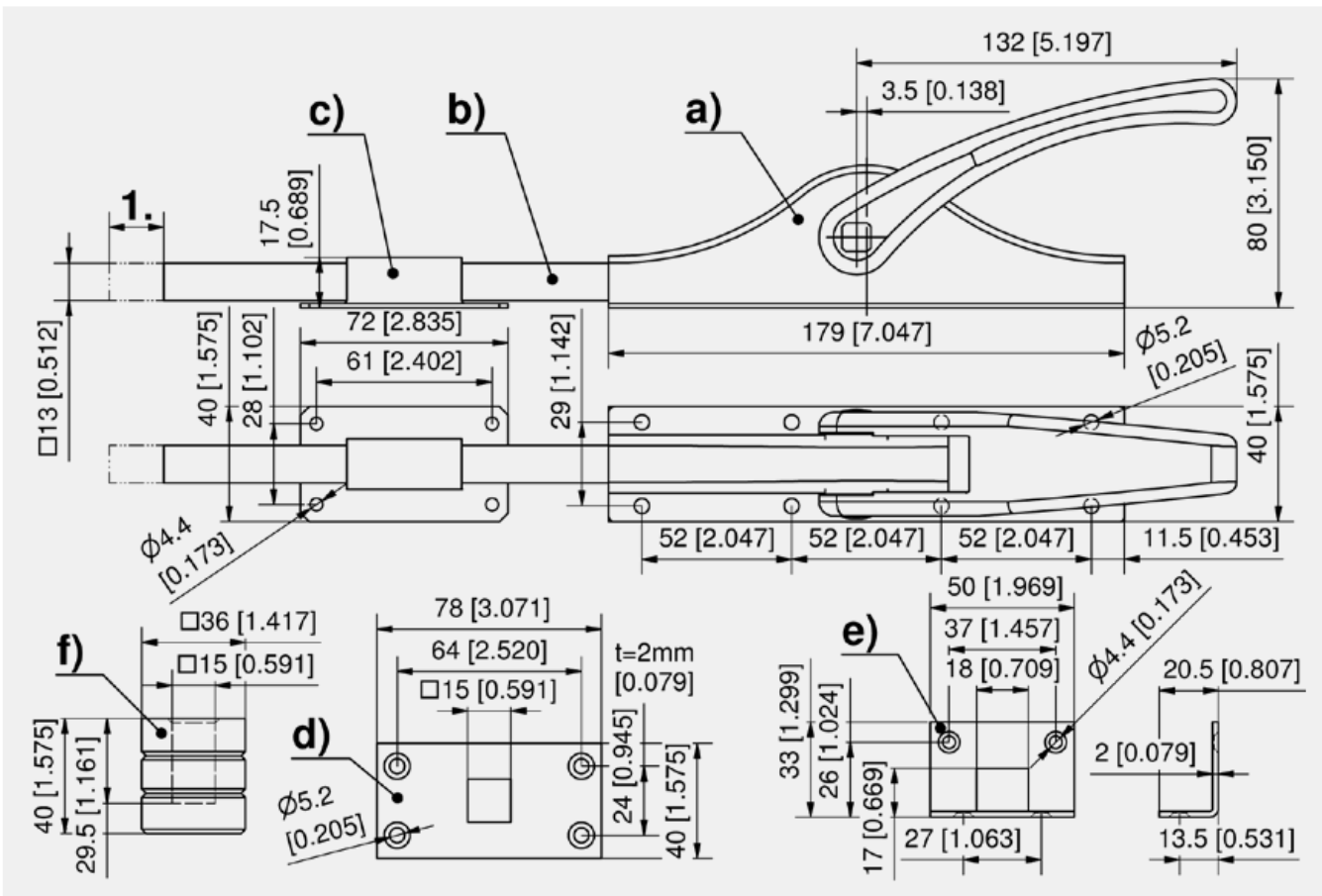
- Both ends come ready to be connected to the handle mechanism.
- By cutting the bar, the handle mechanism can be installed in any position.
- Included in the scope of delivery: Locking bar system incl. base plate and 3 rod guides.
- **Please order separately:** Rod one-piece.

Materials

- **Handle:** aluminium
- **Bolt box, base plate, bar guides and bars:** steel, zinc plated

Remarks

- 1. Stroke 19mm



Locking bar system incl. base plate and 3 rod guides

Part Number	Multi-point latches	Installation type
a) 249-9105.00-00000	Yes	screw-on

Accessories	
e)	249-0301.00-00000 Bottom plate, angled
b)	249-0505.00-00000 Rod for locking bar system □ 13, 2000mm
b)	249-0506.00-00000 Rod for locking bar system □ 13, 2500mm
b)	249-0507.00-00000 Rod for locking bar system □ 13, 3000mm
c)	249-0409.00-00000 Rod guide for locking bar system □ 13

Accessories	
d)	249-0204.00-00000 Bottom plate, straight
f)	249-0602.00-00000 Bar latching bushing for concrete, 2 parts

Locking Bar System □ 16

[6-320.03]

RoHS
WEEE



Locking bar system for heavy doors

Advantages

- Both ends come ready to be connected to the handle mechanism.
- By cutting the bar, the handle mechanism can be installed in any position.
- Included in the scope of delivery: Locking bar system incl. base plate and 4 rod guides.

Materials

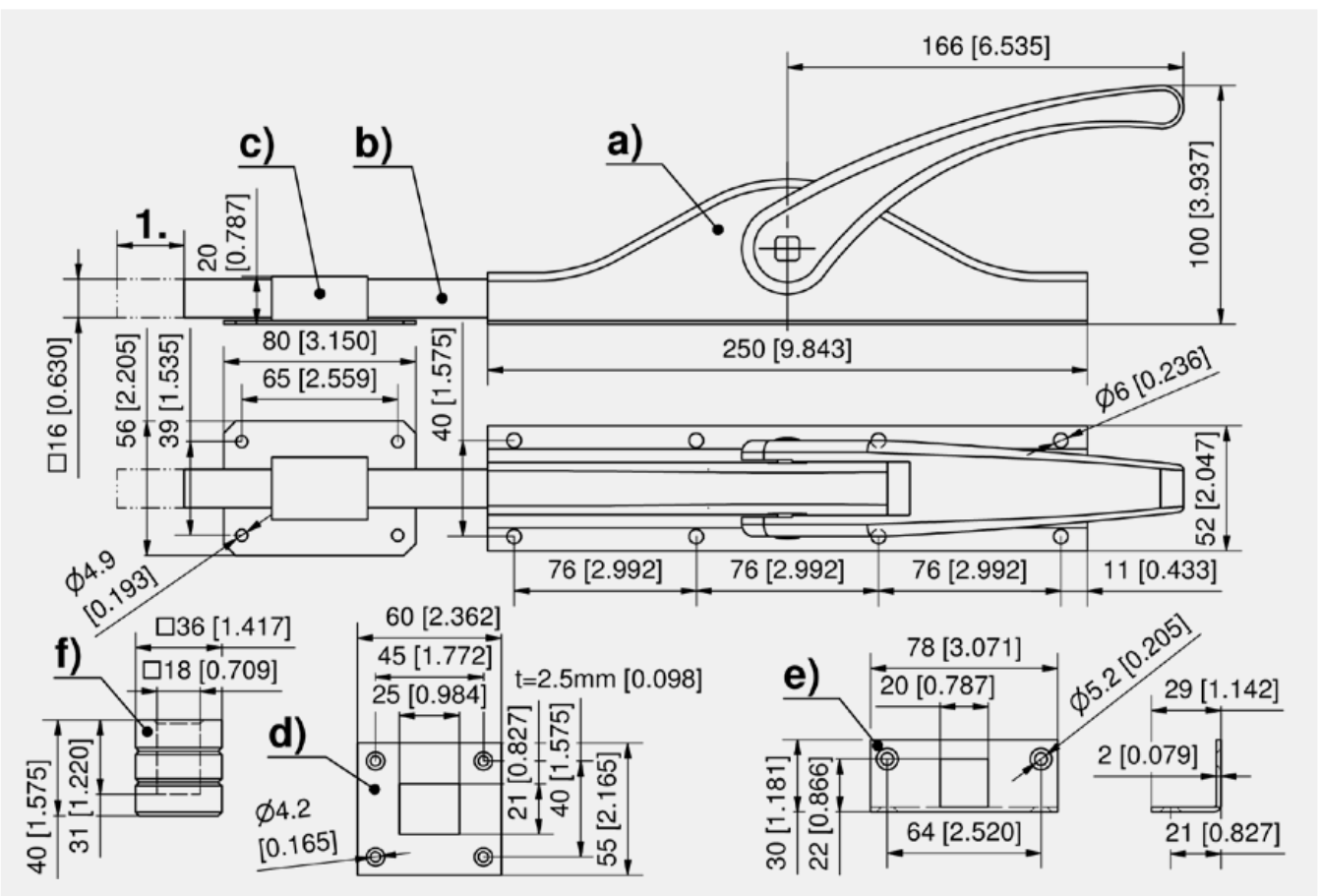
- Handle: aluminium
- Bolt box, base plate, bar guides and bars: steel, zinc plated

Remarks

- Stroke 28mm

Latches

www.METALIKA-KACIN.com



Locking bar system incl. base plate and 4 rod guides

Part Number	Multi-point latches	Installation type
a) 249-9205.00-00000	Yes	screw-on

Specific accessories	
b)	249-0508.00-00000 Rod for locking bar system □ 16, 2000mm
b)	249-0509.00-00000 Rod for locking bar system □ 16, 2500mm
b)	249-0510.00-00000 Rod for locking bar system □ 16, 3000mm
c)	249-0410.00-00000 Rod guide for locking bar system □ 16
d)	249-0203.00-00000 Bottom plate, straight

Specific accessories	
e)	249-0304.00-00000 Bottom plate, angled
f)	249-0603.00-00000 Bar latching bushing for concrete, 2 parts