



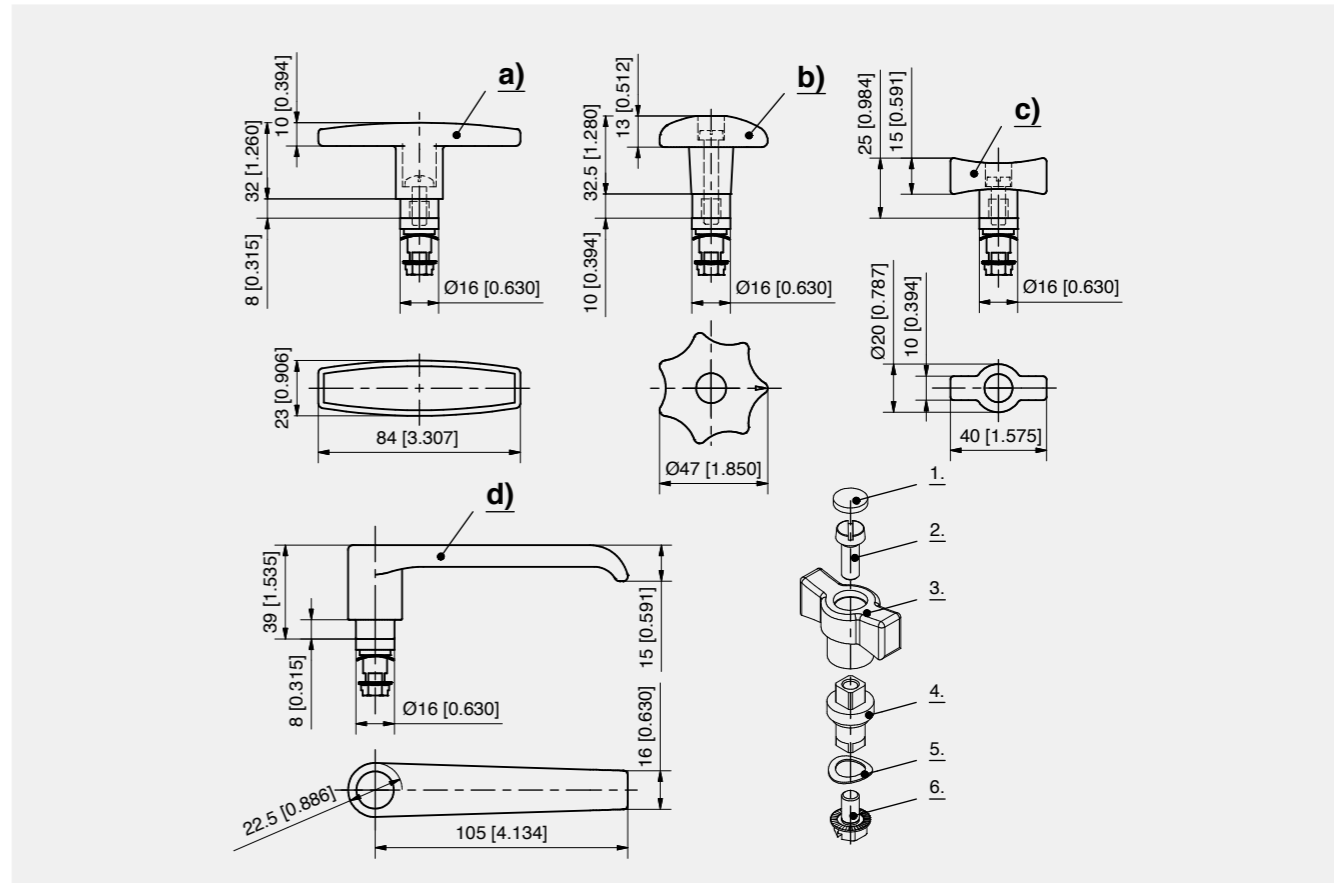
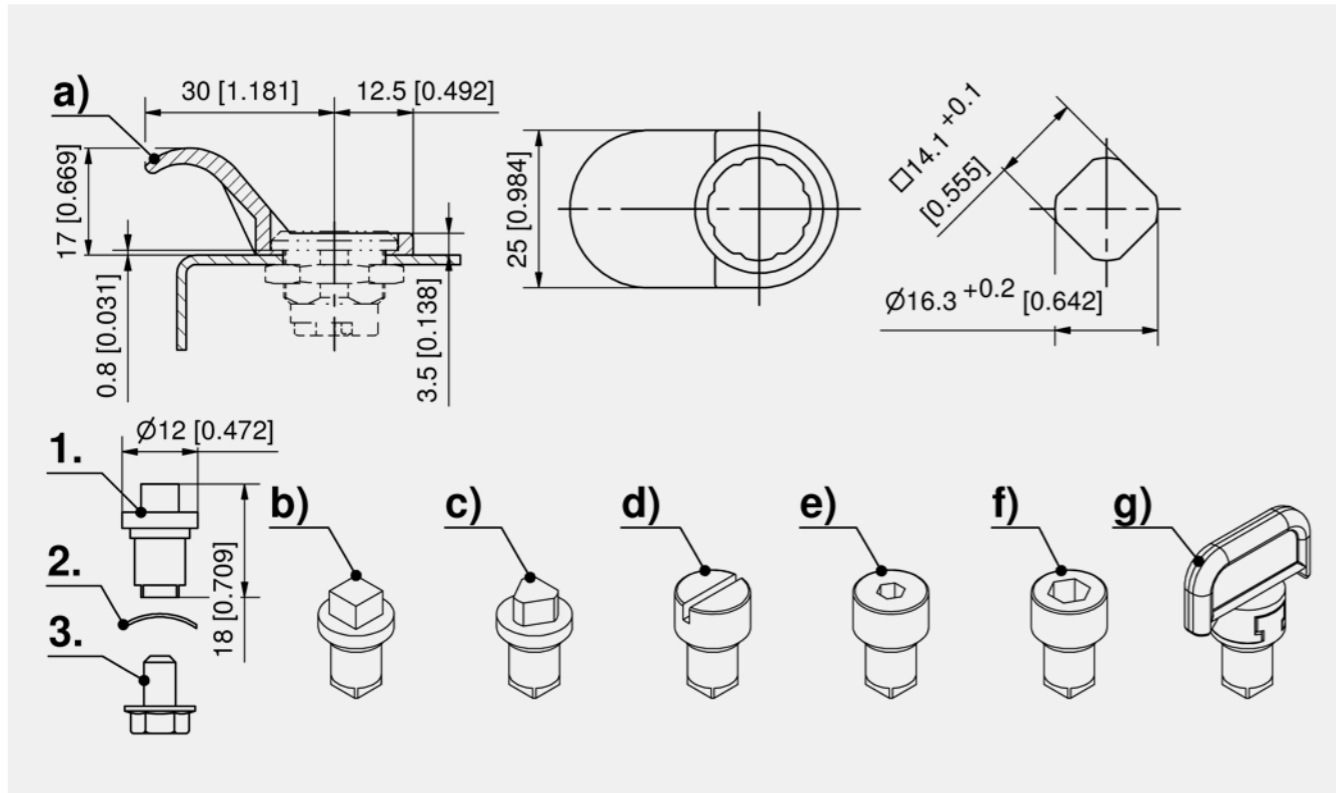
**Advantages**  
 ■ For head Ø20mm.

**Remarks**  
 1. insert  
 2. spring washer  
 3. self-locking screw  
 By using a finger pull the H-dimension changes by 0.8mm.

**Advantages**  
 ■ Can be assembled afterwards for easier transport and packaging (flush).  
 ■ Inserts and screws are included.

**Materials**  
 ■ **Handle:** PA, black  
 ■ **Inserts:** zinc die, zinc plated

**Remarks**  
 Handles consist of:  
 1. cover  
 2. screw M6  
 3. handle element  
 4. insert with thread  
 5. spring washer  
 6. serrated screw



Finger pull and inserts

	Part Number	Name	Material	Surface	Delivery Unit
a)	220-1301.00-00000	Finger pull	PA	black	10 pcs.
b)	220-9102.00-00000	Insert Square 6mm	zinc die	chrome plated	10 pcs.
b)	220-9105.00-00000	Insert Square 6mm	zinc die	black	10 pcs.
c)	220-9101.00-00000	Insert Triangular 6.5mm	zinc die	chrome plated	10 pcs.
c)	220-9104.00-00000	Insert Triangular 6.5mm	zinc die	black	10 pcs.
d)	220-9103.00-00000	Insert Slotted 1.5mm	zinc die	chrome plated	10 pcs.
d)	220-9106.00-00000	Insert Slotted 1.5mm	zinc die	black	10 pcs.
e)	220-9118.00-00000	Insert Socket hex. SW 4mm (5/32")	zinc die	chrome plated	10 pcs.
e)	220-9119.00-00000	Insert Socket hex. SW 4mm (5/32")	zinc die	black	10 pcs.
f)	220-9107.00-00000	Insert Socket hex. SW 6mm	zinc die	chrome plated	10 pcs.
f)	220-9127.00-00000	Insert Socket hex. SW 6mm	PA	black	10 pcs.
g)	220-9117.00-00000	Wing Knob Insert	PA / zinc die core	black	10 pcs.

Handles for quarter-turns Pr20.1

	Part Number	Handle element	Delivery Unit
a)	200-9134.00-09137	T-handle with insert	1 pc.
b)	200-9135.00-09137	Star knob with insert	1 pc.
c)	200-9136.00-09137	Wing knob with insert	1 pc.
d)	200-9144.00-09137	L-handle with insert	1 pc.





### Advantages

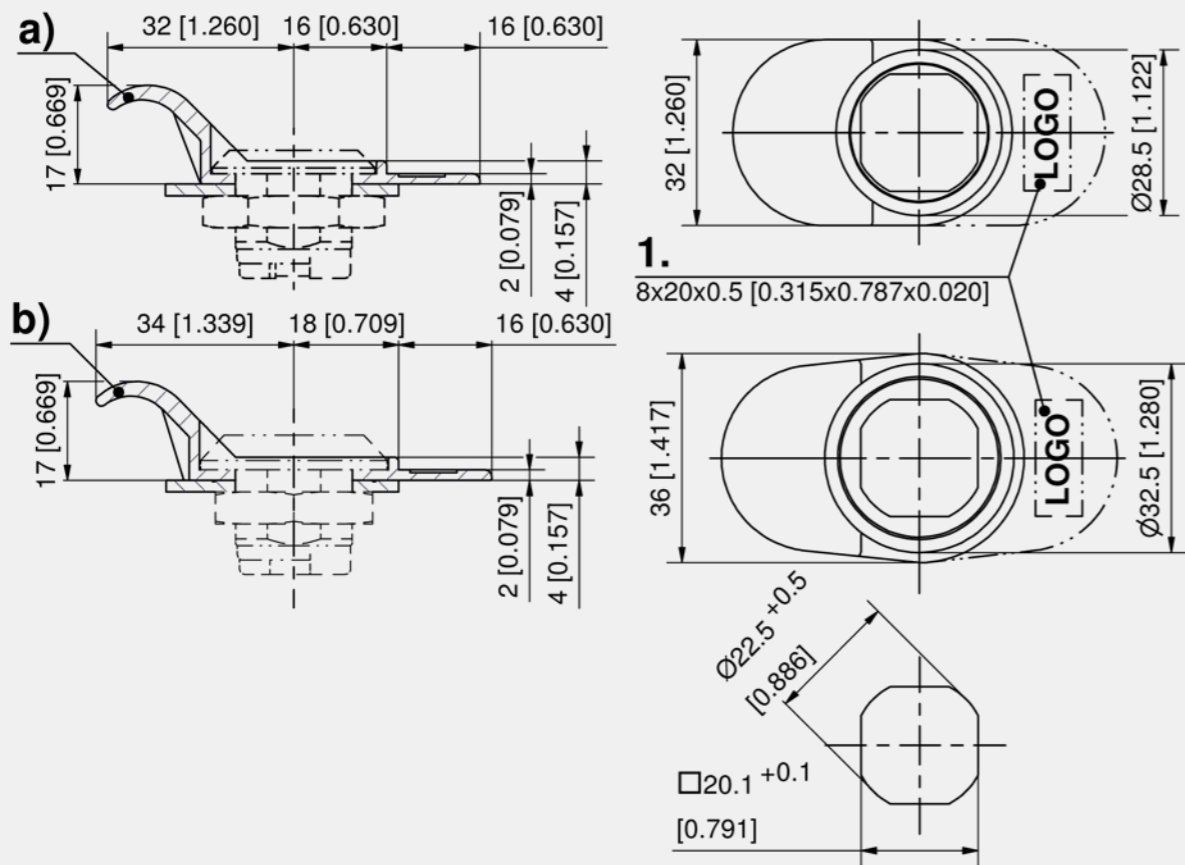
- For head Ø28 mm see product system 1-083, 1-095, 1-100, 1-120, 1-121, 1-210, 7-080 and 7-082.
- For head Ø30/32 mm see product system 1-077, 1-081, 1-085, 1-086, 1-092, 1-100, 1-110, 1-120, 1-200, 7-080.01 and 7-084.

### Materials

- Finger pull:** PA, black

### Remarks

- area for company name or logo
- With Logo on request.  
By using a finger pull the H-dimension changes by 2mm.



Accessories quarter-turn

	Part Number	Name	Recess for label	Delivery Unit
a)	200-4703.03-00000	Finger pull for Ø28	No	10 pcs.
a)	200-4704.03-00000	Finger pull for Ø28	Yes	10 pcs.
b)	200-4705.03-00000	Finger pull for Ø32	No	10 pcs.
b)	200-4706.03-00000	Finger pull for Ø32	Yes	10 pcs.



all product details on DIRAK.com

1-270.01



### Advantages

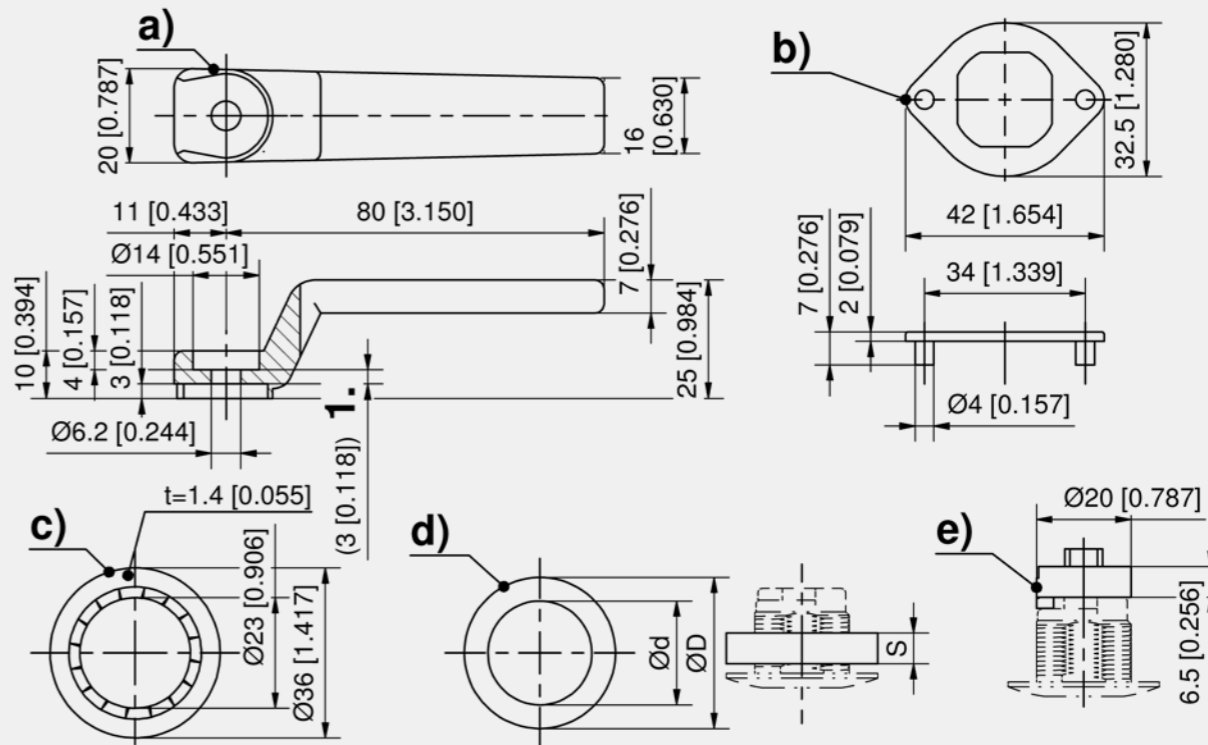
- Emergency handle for internal unlocking for quarter-turns of the Pr20.1. Installation is with the cam.
- Anti-rotation device for all quarter-turns Pr20.1 with nut fastening.
- Distance ring to raise the quarter-turn heads Pr20.1
- Serrated lock washer as protection against the connection unintentionally coming loose due to vibrations.
- Quarter-turn extension for extending quarter-turns by 6.5mm Pr20.1. Screwed on under the housing with the cam.

### Materials

- Emergency handle:** zinc die, red
- Anti-rotation device:** zinc die, zinc plated or black
- Serrated lock washer:** steel, zinc plated or stainless steel
- Spacer:** steel, black or chrome plated, or zinc die, chrome plated or black
- Quarter-turn extension:** zinc die, zinc plated

### Remarks

- please note length of screw



Accessories quarter-turn

	Part Number	Name	Material	Surface	D	d	S	Delivery Unit
a)	200-4701.00-00000	Emergency handle	zinc die	red				10 pcs.
b)	200-4601.00-00000	Anti-rotation device	zinc die	zinc plated				10 pcs.
b)	200-4601.02-00000	Anti-rotation device	zinc die	black				10 pcs.
c)	800-0064.00-00000	Serrated lock washer	steel	zinc plated				10 pcs.
c)	840-6798.00-00023	Serrated lock washer	stainless steel					10 pcs.
d)	200-4608.00-00000	Spacer	steel	black	28 mm	21.9 mm	4 mm	10 pcs.
d)	200-4610.00-00000	Spacer	steel	chrome plated	30 mm	21.9 mm	4 mm	10 pcs.
d)	200-4611.01-00000	Spacer	zinc die	chrome plated	32 mm	21.7 mm	6.6 mm	10 pcs.
d)	200-4611.02-00000	Spacer	zinc die	black	32 mm	21.7 mm	6.6 mm	10 pcs.
e)	200-2809.35-00000	Quarter-turn extension	zinc die	zinc plated	32 mm		6.5 mm	10 pcs.



all product details on DIRAK.com

1-275