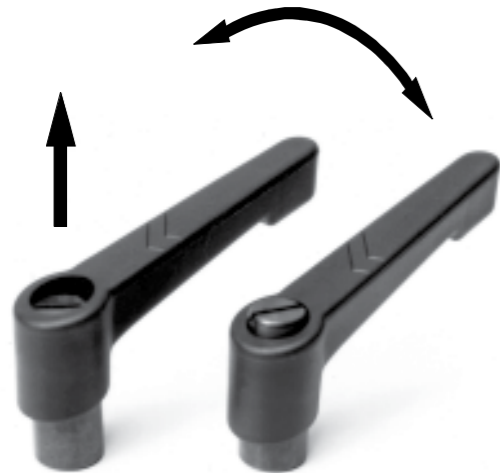


Adjustable Clamp and Tension Levers / Vpenjalne in zatezne ročice

It is especially profitable to use adjustable clamp and tension levers when space is limited or when the handle must be set in a certain clamping position. The adjusting mechanism enables the constructive and economical solution of almost each application.

- 06 *Uporaba zateznih ročic je priporočljiva, ko je prostor omejen ali pa mora biti ročaj nastavljen v točno določeni poziciji. Prilagodljiv mehanizem omogoča konstruktivno in ekonomično rešitev za skoraj kakršnokoli namestitve.*



Handling / Uporaba

In order to reach the most favourable clamping position, the handle must be lifted until the teeth are disengaged, then turn it into the desired position. Self-locking is effected by spring pressure.

Za nastavitev najugodnejše zatezne pozicije, je potrebno ročaj dvigniti in ga zavrteti v željen položaj. Ko ročaj izpustite ta sam pade nazaj v delovno pozicijo.

Important Notes Ensuring an Easy Ordering / Pomembni napotki pri naročanju:

Model

In the catalogue, you will find all current standard sizes. In addition, various types of models can also be supplied quickly at favourable prices.

Order Instructions

Please quote the order numbers stated in the catalogue in order to ensure correct delivery. Thus, delays and incorrect deliveries can be avoided.

Posebne izvedbe

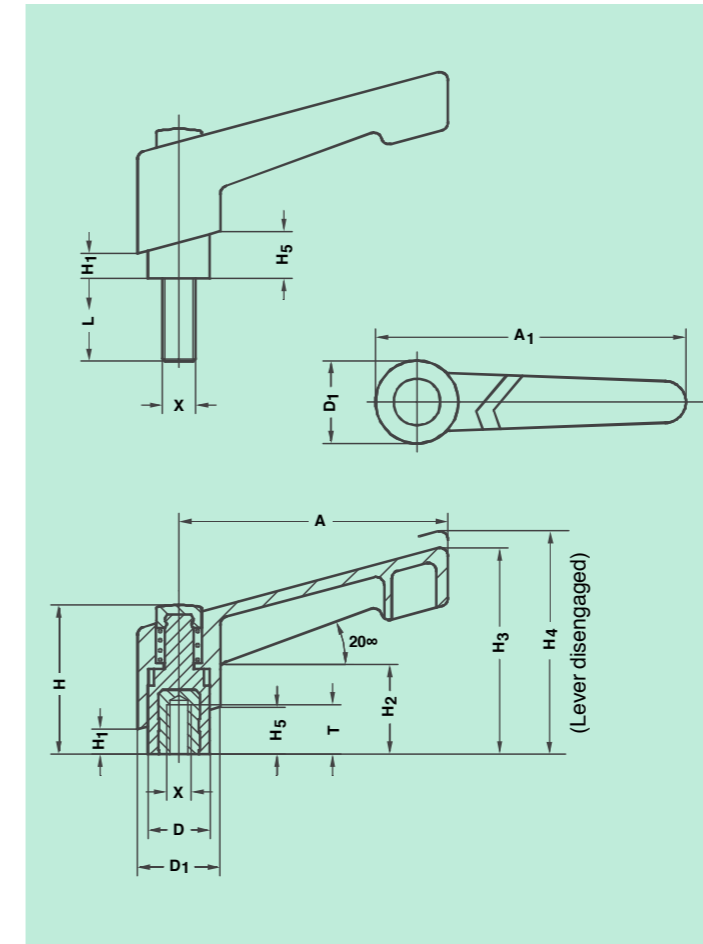
V katalogu najdete naše najbolj standardne izdelke. Poleg navedenih so na voljo tudi različni modeli z drugimi dimenzijami.

Navodila za povpraševanje ali naročanje

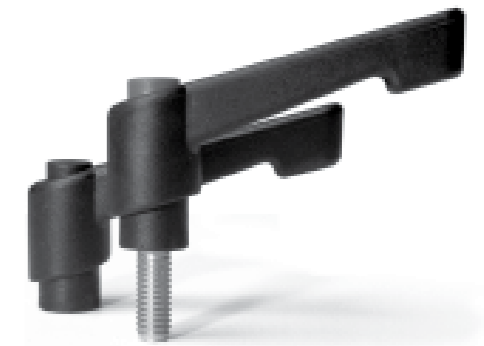
Vaše povpraševanje ali naročilo z veseljem sprejmemo po zgoraj navedenem e-mailu ali telefonu. Za najbolj učinkovito in enostavno komunikacijo vas prosimo, da navedete naročniško številko artikla in željeno količino.

Dobavni roki

Standardni izdelki so vedno na zalogi in dobavljivi v 24 urah.



Clamp Levers adjustable Special glass-fibre reinforced Polyamide At excellent prices



Ergonomy and handling perfectly joined. Convincing quality. The optimum solution for clamping operations. Resistant to oils, solvents, and other chemicals.

Model: Handle from special glass-fibre reinforced polyamide. Bush resp. screw from zinc-plated steel quality 4.8, surrounded by plastic body.

Standard colours:

Handle and push button: black RAL 9005 or orange RAL 2004. Other colours on request.

Clamp Levers - Internal thread

order no. handle black, push button black	order no. handle black, push button orange	order no. handle orange, push button black	size	internal thread X	A mm	A ₁ mm	D mm	D ₁ mm	H mm	H ₁ mm	H ₂ mm	H ₃ mm	H ₄ mm	H ₅ mm	T mm	no. of teeth	weight approx. kg
13 042 04 999 00	13 042 04 999 01	13 042 04 999 10	42	M 4	42	50	12	16	26,5	3,2	15,9	34,9	37,7	7,5	9	10	0,010
13 042 05 999 00	13 042 05 999 01	13 042 05 999 10	42	M 5	42	50	12	16	26,5	3,2	15,9	34,9	37,7	7,5	9	10	0,010
13 042 06 999 00	13 042 06 999 01	13 042 06 999 10	42	M 6	42	50	12	16	26,5	3,2	15,9	34,9	37,7	7,5	9	10	0,010
13 065 06 999 00	13 065 06 999 01	13 065 06 999 10	65	M 6	65	75	15	20	36	6	21,5	49,7	53,7	11,4	12	12	0,022
13 065 08 999 00	13 065 08 999 01	13 065 08 999 10	65	M 8	65	75	15	20	36	6	21,5	49,7	53,7	11,4	12	12	0,022
13 080 08 999 00	13 080 08 999 01	13 080 08 999 10	80	M 8	80	92,5	20	25	46	7,5	28,3	63,1	67,1	14,2	17	12	0,051
13 080 10 999 00	13 080 10 999 01	13 080 10 999 10	80	M 10	80	92,5	20	25	46	7,5	28,3	63,1	67,1	14,2	17	12	0,051
13 080 12 999 00	13 080 12 999 01	13 080 12 999 10	80	M 12	80	92,5	20	25	46	7,5	28,3	63,1	67,1	14,2	17	12	0,051

Clamp Levers - External thread

order no. handle black, push button black	order no. handle black, push button orange	order no. handle orange, push button black	size	external thread X	length of screw L (mm)													
13 042 04 ... 00	13 042 04 ... 01	13 042 04 ... 10		M 4	10													
13 042 05 ... 00	13 042 05 ... 01	13 042 05 ... 10	42	M 5	10				20			30						
13 042 06 ... 00	13 042 06 ... 01	13 042 06 ... 10	42	M 6	10		15		20	25		30						45
13 065 06 ... 00	13 065 06 ... 01	13 065 06 ... 10	65	M 6	10				20			30						
13 065 08 ... 00	13 065 08 ... 01	13 065 08 ... 10	65	M 8			15		20	25		30	35					50
13 080 10 ... 00	13 080 10 ... 01	13 080 10 ... 10	80	M 10					20			30						50
13 080 12 ... 00	13 080 12 ... 01	13 080 12 ... 10	80	M 12								30						50

... Please indicate here the desired length of screw e.g. 025 for L = 25 mm.

Clamp Levers

adjustable
Special glass-fibre reinforced Polyamide
Steel Parts from Stainless Steel

08

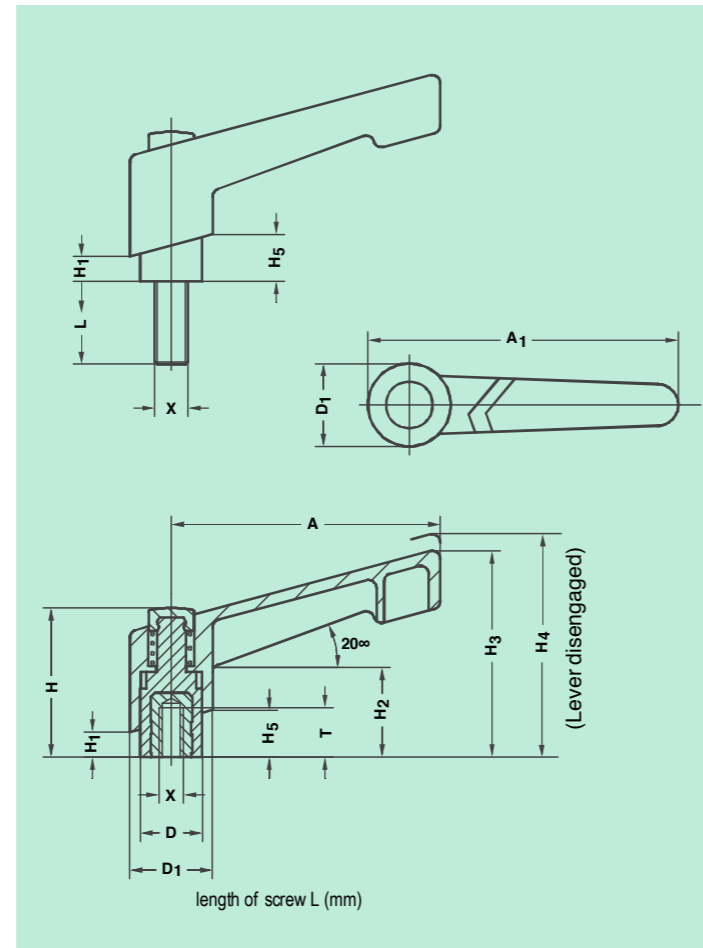


Ergonomy and handling perfectly joined. Convincing quality. The optimum solution for clamping operations. Resistant to oils, solvents, and other chemicals.

Model: Handle from special glass-fibre reinforced polyamide. Bush resp. screw from stainless steel, surrounded by plastic body.

Standard colours:

Handle and push button: black RAL 9005 or orange RAL 2004. Other colours on request.



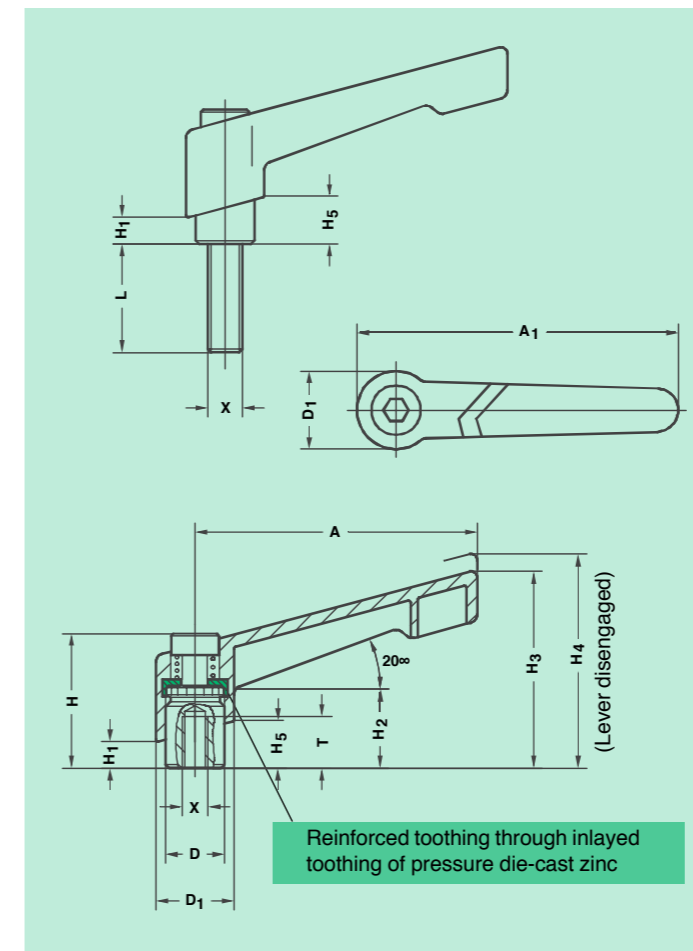
Zimmermann Clamp Levers with Stainless Steel Parts - Internal thread

order no. handle black, push button black	order no. handle black, push button orange	order no. handle orange, push button black	size	internal thread X	A mm	A ₁ mm	D mm	D ₁ mm	H mm	H ₁ mm	H ₂ mm	H ₃ mm	H ₄ mm	H ₅ mm	T mm	no. of teeth	weight approx. kg
13 042 04 999 00 E0A	13 042 04 999 01 E0A	13 042 04 999 10 E0A		M 4													
13 042 05 999 00 E0A	13 042 05 999 01 E0A	13 042 05 999 10 E0A	42	M 5	42	50	12	16	26,5	3,2	15,9	34,9	37,7	7,5	9	10	0,010
13 042 06 999 00 E0A	13 042 06 999 01 E0A	13 042 06 999 10 E0A		M 6													
13 065 06 999 00 E0A	13 065 06 999 01 E0A	13 065 06 999 10 E0A	65	M 6	65	75	15	20	36	6	21,5	49,7	53,7	11,4	12	12	0,022
13 065 08 999 00 E0A	13 065 08 999 01 E0A	13 065 08 999 10 E0A		M 8													
13 080 08 999 00 E0A	13 080 08 999 01 E0A	13 080 08 999 10 E0A		M 8													
13 080 10 999 00 E0A	13 080 10 999 01 E0A	13 080 10 999 10 E0A	80	M 10	80	92,5	20	25	46	7,5	28,3	63,1	67,1	14,2	17	12	0,051
13 080 12 999 00 E0A	13 080 12 999 01 E0A	13 080 12 999 10 E0A		M 12													

Zimmermann Clamp Levers with Stainless Steel Parts - External thread

order no. handle black, push button black	order no. handle black, push button orange	order no. handle orange, push button black	size	external thread X	length of screw L (mm)			
13 042 04 ... 00 E0A	13 042 04 ... 01 E0A	13 042 04 ... 10 E0A		M 4	10			
13 042 05 ... 00 E0A	13 042 05 ... 01 E0A	13 042 05 ... 10 E0A	42	M 5	10			
13 042 06 ... 00 E0A	13 042 06 ... 01 E0A	13 042 06 ... 10 E0A		M 6	10	20	30	
13 065 06 ... 00 E0A	13 065 06 ... 01 E0A	13 065 06 ... 10 E0A	65	M 6	10		30	
13 065 08 ... 00 E0A	13 065 08 ... 01 E0A	13 065 08 ... 10 E0A		M 8		15	20	30
13 080 10 ... 00 E0A	13 080 10 ... 01 E0A	13 080 10 ... 10 E0A	80	M 10		20		35 50

... Please indicate here the desired length of screw e.g. 020 for L = 20 mm.



Clamp Levers with Handle from Polyamide - Internal Thread

Order No.	Order No.	Size	Internal Thread X	A mm	A ₁ mm	D mm	D ₁ mm	H mm	H ₁ mm	H ₂ mm	H ₃ mm	H ₄ mm	H ₅ mm	T mm	No. of Teeth	kg
Black	Orange															
10 042 04 999 sw	10 042 04 999 or	42	M 4	42	49	10	14	24,5	3,2	15,4	33,5	37	6,8	9	18	0,014
10 042 05 999 sw	10 042 05 999 or	65	M 5	65	74	13,5	18	31	6	18,4	45,5	49,5	10,5	11	24	0,031
10 042 06 999 sw	10 042 06 999 or	78	M 6	78	89	16	22	36	7,5	22,3	54	58	13	14	26	0,048
10 065 06 999 sw	10 065 06 999 or	80	M 6	80	92,5	19	25	43	9	27	64	68	15,2	17	28	0,084
10 065 08 999 sw	10 065 08 999 or	92	M 8	92	105	19	25	43	9	27	64	68	15,2	17	28	0,084
10 078 08 999 sw	10 078 08 999 or	92	M 8	92	105	19	25	43	9	27	64	68	15,2	17	28	0,084
10 078 10 999 sw	10 078 10 999 or	92	M 10	92	105	19	25	43	9	27	64	68	15,2	17	28	0,084
10 092 10 999 sw	10 092 10 999 or	92	M 10	92	105	19	25	43	9	27	64	68	15,2	17	28	0,084
10 092 12 999 sw	10 092 12 999 or	92	M 12	92	105	19	25	43	9	27	64	68	15,2	17	28	0,084

Clamp Levers with Handle from Polyamide - External Thread

Order No.	Order No.	Size	External Thread X	Length of Screw L (mm)			
Black	Orange						
10 042 04 ... sw	10 042 04 ... or	42	M 4	12	16	20	25
10 042 05 ... sw	10 042 05 ... or	65	M 5	12	16	20	25
10 042 06 ... sw	10 042 06 ... or	78	M 6	12	16	20	25
10 065 08 ... sw	10 065 08 ... or	80	M 8	12	16	20	25
10 065 10 ... sw	10 065 10 ... or	80	M 10			20	25
10 078 08 ... sw	10 078 08 ... or	80	M 8		16	20	25
10 078 10 ... sw	10 078 10 ... or	80	M 10			20	25
10 092 10 ... sw	10 092 10 ... or	80	M 10			20	25
10 092 12 ... sw	10 092 12 ... or	80	M 12			20	25

... Please indicate here the desired length of Screw e.g., 025 for L = 25 mm.

Clamp Levers

adjustable
Handle from special Polyamide
Reinforced Design

09



Registered Design

Zimmermann Clamp Levers. Modern design. Convincing quality.

Model: Handle from polyamide. Reinforced by glassfibre. Reinforced toothing with zinc ring of pressure die-cast zinc. Steel parts stability class 5.8, black oxide finished. Reinforced toothing through inlayed toothing from pressure die-cast zinc.

Standard colours of the handle: black RAL 9005 and orange RAL 2004.

Special types such as other thread diameter, screw length etc. are available on request.

Clamp Levers

Handle from special Polyamide Reinforced Design, Steel Parts from Stainless Steel

10



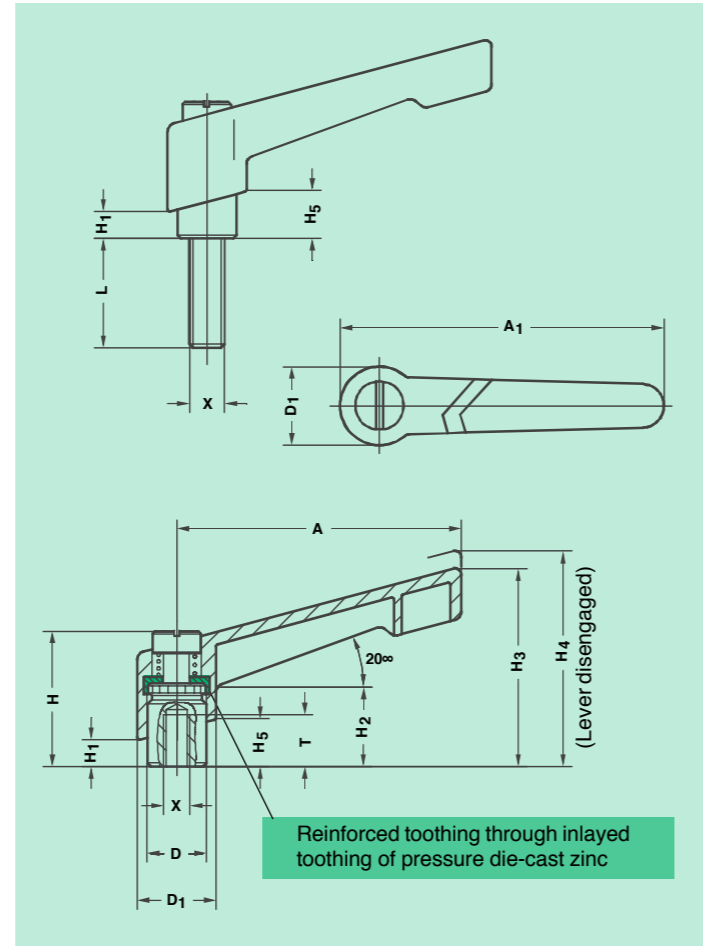
Registered Design

Zimmermann Clamp Levers. Handle from special polyamide and steel parts from stainless steel. For special demand e.g. hospitals and laboratories, food- and beverage industries.

Model: Handle from polyamide with zinc ring from pressure die-cast zinc. Stainless steel parts, material no. 1.4305. Reinforced toothing through inlaid toothing from pressure die-cast zinc

Standard colours of the handle: black RAL 9005 and orange RAL 2004.

Special types such as different thread diameter, screw length etc. are available on request.



Clamp Levers with Handle from Polyamide and Stainless Steel Parts - Internal Thread

Order No.	Order No.	Size	Internal Thread X	A	A ₁	D	D ₁	H	H ₁	H ₂	H ₃	H ₄	H ₅	T	No. of Teeth	Weight approx. Kg
10 042 05 999 sw E0A	10 042 05 999 or E0A	42	M 5	42	49	10	14	24,5	3,2	15,4	33,5	37	6,8	9	18	0,014
10 042 06 999 sw E0A	10 042 06 999 or E0A		M 6													
10 065 06 999 sw E0A	10 065 06 999 or E0A	65	M 6	65	74	13,5	18	31	6	18,4	45,5	49,5	10,5	11	24	0,031
10 065 08 999 sw E0A	10 065 08 999 or E0A		M 8													
10 078 08 999 sw E0A	10 078 08 999 or E0A	78	M 8	78	89	16	22	36	7,5	22,3	54	58	13	14	26	0,048
10 078 10 999 sw E0A	10 078 10 999 or E0A		M 10													
10 092 10 999 sw E0A	10 092 10 999 or E0A	92	M 10	92	105	19	25	43	9	27	64	68	15,2	17	28	0,084
10 092 12 999 sw E0A	10 092 12 999 or E0A		M 12													

Clamp Levers with Handle from Polyamide and Stainless Steel Parts - External Thread

Order No.	Order No.	Size	External Thread X	Length of Screw L (mm)												
10 042 05 ... sw E0A	10 042 05 ... or E0A	42	M 5	12	16	20	25	32	40	50						
10 042 06 ... sw E0A	10 042 06 ... or E0A		M 6	12	16	20	25	32	40	50						
10 065 06 ... sw E0A	10 065 06 ... or E0A	65	M 6		16	20	25	32	40	50						
10 065 08 ... sw E0A	10 065 08 ... or E0A		M 8		16	20	25	32	40	50	63					
10 078 10 ... sw E0A	10 078 10 ... or E0A	78	M 10			20	25	32	40	50	63	80				
10 092 10 ... sw E0A	10 092 10 ... or E0A	92	M 10			20	25	32	40	50	63	80				
10 092 12 ... sw E0A	10 092 12 ... or E0A		M 12			20	25	32	40	50	63	80				

... Please indicate here the desired length of screw e.g. 025 for L = 25 mm.

Clamp Levers

adjustable
Handle from Pressure Die-Cast Zinc For Heavy Load

11



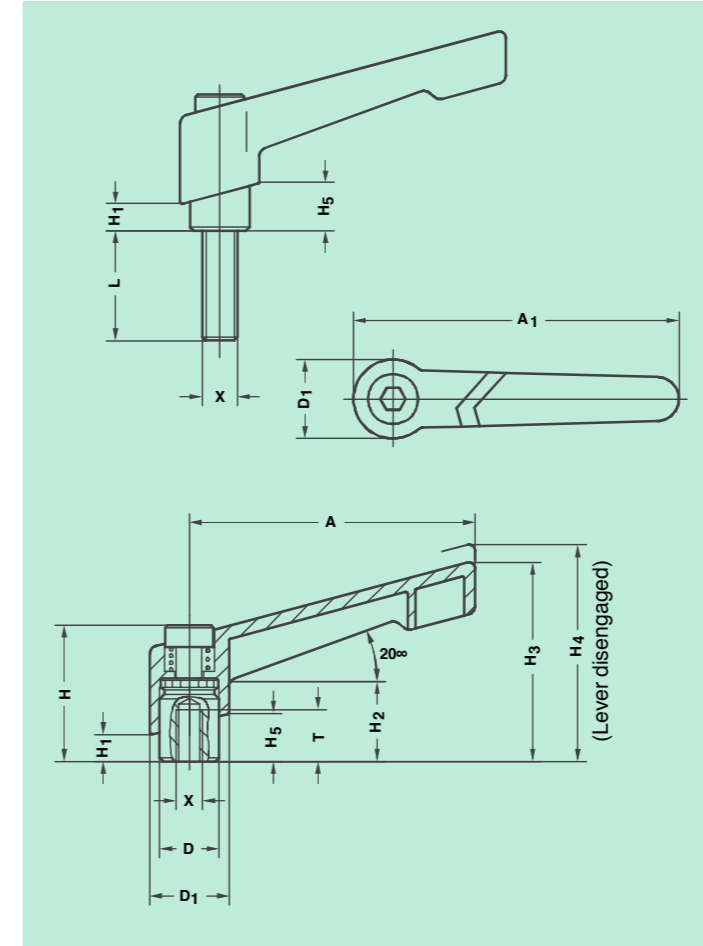
Registered Design

Zimmermann Clamp Levers. Extremely high safety handle. Convincing quality. Modern and functional design. For heavy load.

Model: Handle from pressure die-cast zinc, plastic coated. Steel parts stability class 5.8, black oxide finished.

Standard colours of the handle: black RAL 9005 and orange RAL 2004.

Special types such as other thread diameter, screw length, etc. are available on request.



Clamp Levers with Handle from Pressure Die-Cast Zinc - Internal Thread

Order No.	Order No.	Size	Internal Thread X	A	A ₁	D	D ₁	H	H ₁	H ₂	H ₃	H ₄	H ₅	T	No. of Teeth	Weight approx. kg
11 042 04 999 sw	11 042 04 999 or		M 4													
11 042 05 999 sw	11 042 05 999 or	42	M 5	42	49	10	14	24,5	3,2	15,4	33,5	37	6,8	9	18	0,030
11 042 06 999 sw	11 042 06 999 or		M 6													
11 065 06 999 sw	11 065 06 999 or	65	M 6	65	74	13,5	18	31	6	18,4	45,5	49,5	10,5	11	24	0,072
11 065 08 999 sw	11 065 08 999 or		M 8													
11 078 08 999 sw	11 078 08 999 or	78	M 8	78	89	16	22	36	7,5	22,3	54	58	13	14	26	0,105
11 078 10 999 sw	11 078 10 999 or		M 10													
11 092 10 999 sw	11 092 10 999 or	92	M 10	92	105	19	25	43	9	27	64	68	15,2	17	28	0,170
11 092 12 999 sw	11 092 12 999 or		M 12													
11 108 12 999 sw	11 108 12 999 or	108	M 12	108	123	23	30	50,5	11	30	75	80	17	23	30	0,265
11 108 16 999 sw	11 108 16 999 or		M 16													

Clamp Levers with Handle from Pressure Die-Cast Zinc - External Thread

Order No.	Order No.	Size	External Thread X	Length of Screw L (mm)												
11 042 04 ... sw	11 042 04... or		M 4	12	16	20	25	32	40	50						
11 042 05 ... sw	11 042 05... or	42	M 5	12	16	20	25	32	40	50						
11 042 06 ... sw	11 042 06... or		M 6	12	16	20	25	32	40	50						
11 065 08 ... sw	11 065 08... or	65	M 8	12	16	20	25	32	40	50	63					
11 065 10 ... sw	11 065 10... or		M 10			20	25	32	40	50	63					
11 078 08 ... sw	11 078 08... or	78	M 8		16	20	25	32	40	50	63					
11 078 10 ... sw	11 078 10... or		M 10			20	25	32	40	50	63	80				
11 092 10 ... sw	11 092 10... or	92	M 10			20	25	32	40	50	63	80				
11 092 12 ... sw	11 092 12... or		M 12			20	25	32	40	50	63	80				
11 108 12 ... sw	11 108 12... or	108	M 12			20	25	32	40	50	63	80				
11 108 16 ... sw	11 108 16... or		M 16			20	25	32	40	50	63	80				

... indicate here the desired length of screw e.g. 025 for L = 25 mm.

Clamp Levers

Handle from Pressure Die-Cast Zinc
For Heavy Load, Steel Parts
from Stainless Steel

12

INOX



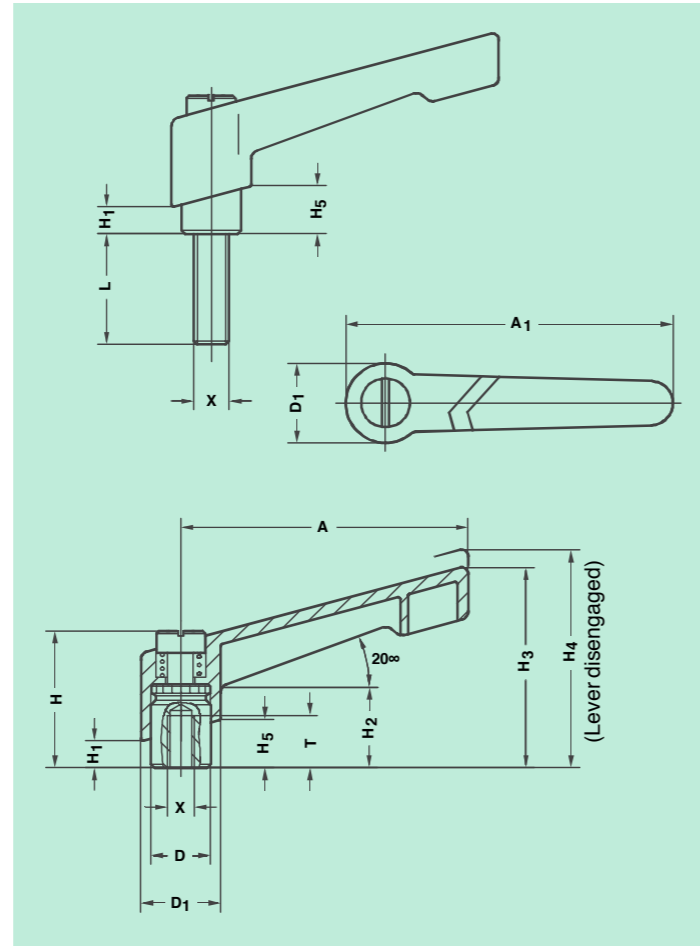
Registered Design

Zimmermann Clamp Levers. For special demand, e.g. hospitals and laboratories, food- and beverage industries.

Model: Handle from pressure die-cast zinc, plastic coated. Stainless steel parts, material no. 1.4305.

Standard colours of the handle: black RAL 9005 and orange RAL 2004.

Special types such as different thread diameter, screw length, etc. are available on request.



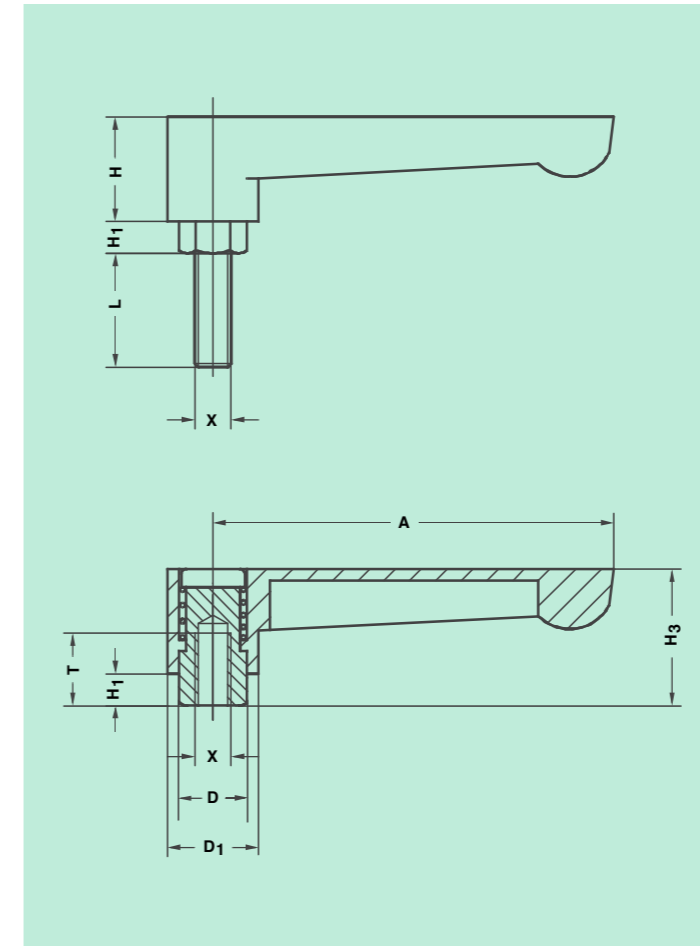
Clamp Levers with Handle from Pressure Die-Cast Zinc, Stainless Steel - Internal Thread

Order No.	Order No.	Size	Internal Thread X	A mm	A1 mm	D mm	D1 mm	H mm	H1 mm	H2 mm	H3 mm	H4 mm	H5 mm	T mm	No. of Teeth	Weight approx. kg
11 042 05 999 sw E0A	11 042 05 999 or E0A	42	M 5	42	49	10	14	24,5	3,2	15,4	33,5	37	6,8	9	18	0,014
11 042 06 999 sw E0A	11 042 06 999 or E0A		M 6													
11 065 06 999 sw E0A	11 065 06 999 or E0A	65	M 6	65	74	13,5	18	31	6	18,4	45,5	49,5	10,5	11	24	0,031
11 065 08 999 sw E0A	11 065 08 999 or E0A		M 8													
11 078 08 999 sw E0A	11 078 08 999 or E0A	78	M 8	78	89	16	22	36	7,5	22,3	54	58	13	14	26	0,048
11 078 10 999 sw E0A	11 078 10 999 or E0A		M 10													
11 092 10 999 sw E0A	11 092 10 999 or E0A	92	M 10	92	105	19	25	43	9	27	64	68	15,2	17	28	0,084
11 092 12 999 sw E0A	11 092 12 999 or E0A		M 12													
11 108 12 999 sw E0A	11 108 12 999 or E0A	108	M 12	108	123	23	30	50,5	11	30	75	80	17	23	30	0,265
11 108 16 999 sw E0A	11 108 16 999 or E0A		M 16													

Clamp Levers with Handle from Pressure Die-Cast Zinc, Stainless Steel - External Thread

Order No.	Order No.	Size	External Thread X	Length of Screw L (mm)												
11 042 05 ... sw E0A	11 042 05 ... or E0A	42	M 5	12	16	20	25	32	40	50						
11 042 06 ... sw E0A	11 042 06 ... or E0A		M 6	12	16	20	25	32	40	50						
11 065 06 ... sw E0A	11 065 06 ... or E0A	65	M 6		16	20	25	32	40	50						
11 065 08 ... sw E0A	11 065 08 ... or E0A		M 8		16	20	25	32	40	50	63					
11 078 10 ... sw E0A	11 078 10 ... or E0A	78	M 10			20	25	32	40	50	63	80				
11 092 10 ... sw E0A	11 092 10 ... or E0A	92	M 10			20	25	32	40	50	63	80				
11 092 12 ... sw E0A	11 092 12 ... or E0A		M 12			20	25	32	40	50	63	80				
11 108 16 ... sw E0A	11 108 16 ... or E0A	108	M 16				20	25	32	40	50	63	80			

... Please indicate here the desired length of screw e.g. 025 for L = 25 mm.



Flat Clamp Levers

adjustable
Handle from Pressure Die-Cast Zinc

13



Zimmermann Flat Clamp Levers. For clamping needs where the vertical space is extremely restricted.

Model: Handle from pressure die-cast zinc, plastic coated. Steel parts stability class 5.8, black oxide finished.

Standard colours of the handle: black RAL 9005 and orange RAL 2004.

Special types such as different thread diameter, screw length, etc. are available on request.

Flat Clamp Levers - Internal Thread

Order No.	Order No.	Internal Thread X	A mm	D mm	D1 mm	H mm	H1 mm	H3 mm	T mm	Weight approx. kg
16 064 06 999 sw	16 064 06 999 or	M 6	64	10	15	19	6	24	11	0,042
16 088 08 999 sw	16 088 08 999 or	M 8	88	13	20	22	7	29	15	0,080
16 112 10 999 sw	16 112 10 999 or	M 10	112	17	25	28	9	37	23	0,136
16 133 12 999 sw	16 133 12 999 or	M 12	133	19	28	32	11	43	24	0,194

Flat Clamp Levers - External Thread

Order No.	Order No.	External Thread X	Length of Screw L (mm)									
16 064 06 ... sw	16 064 06 ... or	M 6	10	15	20	25	30	40	50			
16 088 08 ... sw	16 088 08 ... or	M 8		15	20	25	30	40	50			
16 112 10 ... sw	16 112 10 ... or	M 10			20	25	30	40	50			
16 133 12 ... sw	16 133 12 ... or	M 12				25	30	40	50	60		

... Please indicate here the desired length of screw e.g. 025 for L = 25 mm.

Flat Tension Levers adjustable

14

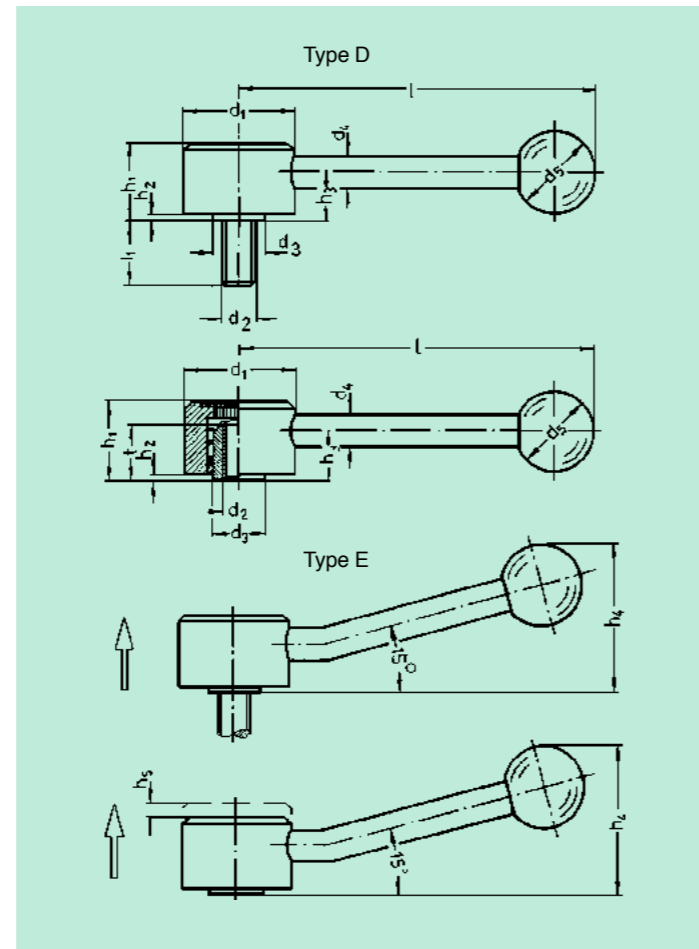


Zimmermann Flat Tension Levers from steel. For clamping needs where the vertical space is extremely restricted. The height of this lever has been kept to a minimum to meet these requirements.

Model: Steel parts stability class 5.8, black oxide finished. Ball knob DIN 319, plastic, black.

Type D: straight handle.
Type E: cranked handle 15°

Special types such as different thread diameter, screw length are available on request.



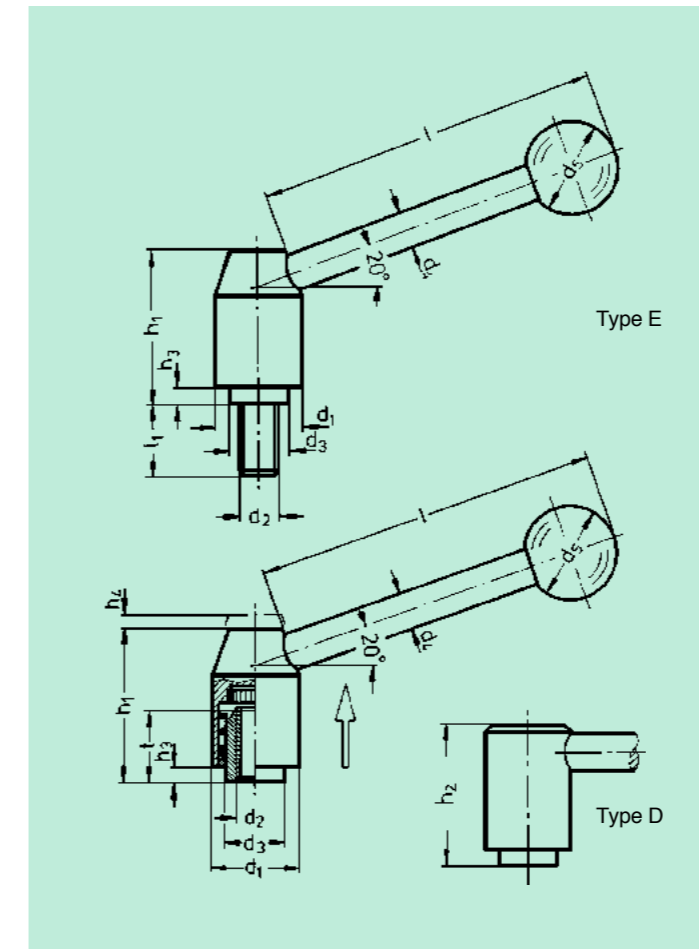
Flat Tension Levers - Internal Thread

Order No. Type D	Order No. Type E	Size	Internal Thread d ₂	d ₁ mm	d ₃ mm	d ₄ mm	d ₅ mm	h ₁ mm	h ₂ mm	h ₃ mm	h ₄ mm	h ₅ mm	l mm	t mm	No. of Teeth	Weight approx. kg
15 32 06 999 D		32	M 6	32	13,5	8	20	20,5	1,5	12,5	36	4	100	11	24	0,139
15 32 08 999 D	15 32 08 999 E		M 8													
15 36 08 999 D		36	M 8	36	16	10	25	24,5	2	15	45	4,5	120	14	26	0,219
15 36 10 999 D	15 36 10 999 E		M 10													
15 40 10 999 D		40	M 10	40	19	12	30	26,5	2	16	50	4,5	130	17	28	0,301
15 40 12 999 D	15 40 12 999 E		M 12													
15 45 16 999 D	15 45 16 999 E	45	M 16	45	23	12	32	31,5	2	20	60	5	145	23	30	0,406

Flat Tension Levers - External Thread

Order No. Type D	Order No. Type E	Size	External Thread d ₂	Length of Screw l ₁ (mm)												
15 32 08 ... D	15 32 08 ... E	32	M 8	16	20	25	32	40	50	63						
15 32 10 ... D	15 32 10 ... E		M 10		20	25	32	40	50	63						
15 36 10 ... D	15 36 10 ... E	36	M 10		20	25	32	40	50	63						
15 36 12 ... D	15 36 12 ... E		M 12			25	32	40	50	63						
15 40 12 ... D	15 40 12 ... E	40	M 12			25	32	40	50	63						
15 45 16 ... D	15 45 16 ... E	45	M 16				32	40	50	63						

... Please indicate here the desired length of screw e.g. 032 for l₁ = 32 mm.



Tension Levers adjustable

15



Zimmermann Tension Levers from steel. For applications requiring maximum stability. Zimmermann tension levers meet the requirements for a strong and comfortable clamping means.

Model: Steel parts stability class 5.8, black oxide finished. Ball knob DIN 319, plastic, black.

Type E: lever position 20°

Type D: lever position 0°

Special types such as different thread diameter, screw length, etc. are available on request.

Tension Levers - Internal Thread

Order No. Type E	Order No. Type D	Internal Thread d ₂	d ₁ mm	Size	d ₃ mm	d ₄ mm	d ₅ mm	h ₁ mm	h ₂ mm	h ₃ mm	h ₄ mm	l mm	t mm	No. of Teeth	Weight approx. kg
14 21 06 999 E	14 21 06 999 D	M 6	21	21	13,5	8	20	33,5	31	1	4	70	11	24	0,095
14 21 08 999 E	14 21 08 999 D	M 8													
14 24 08 999 E	14 24 08 999 D	M 8	24	24	16	10	25	40	37	2,5	4,5	96	14	26	0,155
14 24 10 999 E	14 24 10 999 D	M 10													
14 28 10 999 E	14 28 10 999 D	M 10	28	28	19	12	30	48,5	44,5	4,5	4,5	110	17	28	0,261
14 28 12 999 E	14 28 12 999 D	M 12													
14 33 12 999 E	14 33 12 999 D	M 12	33	33	23	12	32	55	51,5	6	5,5	124	23	30	0,372
14 33 16 999 E	14 33 16 999 D	M 16													
14 40 20 999 E	14 40 20 999 D	M 20	40	40	28	14	35	68	64	6	5,5	138	36	50	0,615

Tension Levers - External Thread

Order No. Type E	Order No. Type D	Size	External Thread d ₂	Length of Screw l ₁ (mm)											
14 21 08 ... E	14 21 08 ... D	21	M 8	16	20	25	32	40	50	63					
14 24 10 ... E	14 24 10 ... D	24	M 10	16	20	25	32	40	50	63					
14 28 10 ... E	14 28 10 ... D	28	M 10		20	25	32	40	50	63					
14 28 12 ... E	14 28 12 ... D		M 12		20	25	32	40	50	63					
14 33 12 ... E	14 33 12 ... D	33	M 12			25	32	40	50	63					
14 33 16 ... E	14 33 16 ... D		M 16				32	40	50	63					
14 40 20 ... E	14 40 20 ... D	40	M 20					40	50	63					

... Please indicate here the desired length of screw e.g. 032 for l₁ = 32 mm.

Tension Levers

adjustable
from Stainless Steel

16

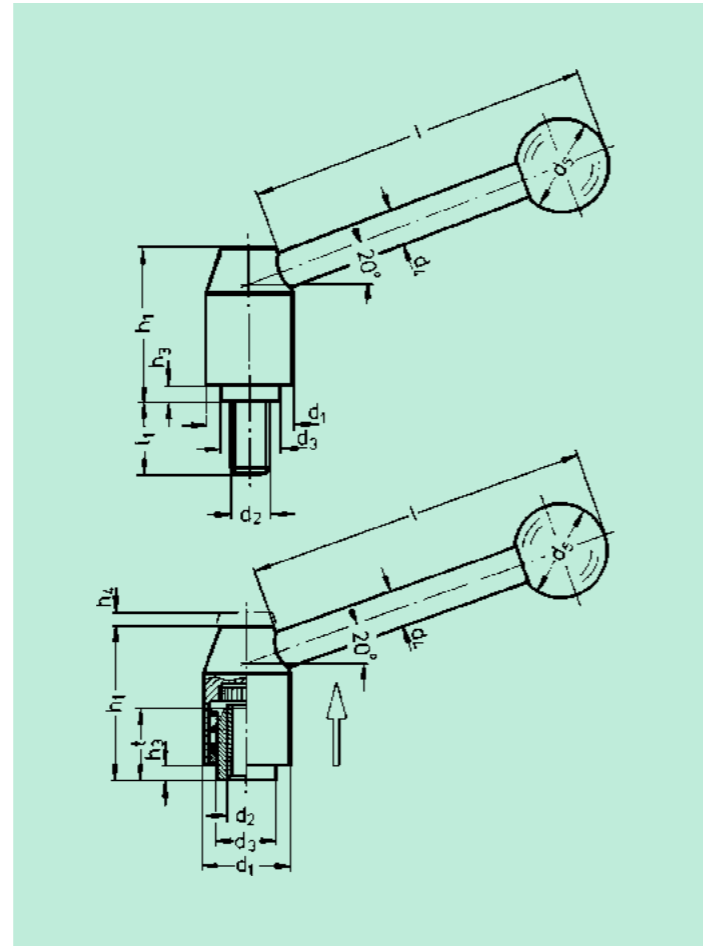


INOX

Zimmermann Tension Levers. For special demand e.g. hospitals and laboratories, food- and beverage industries.

Model: Complete lever from stainless steel, material no. 1.4305, sand-blasted matt. Ball knob DIN 319, plastic, black.

Special types such as different thread diameter, screw length, etc. are available on request.



Tension Levers with Internal Thread - Stainless steel

Order No.	Size	Internal Thread d ₂	d ₁ mm	d ₃ mm	d ₄ mm	d ₅ mm	h ₁ mm	h ₃ mm	h ₄ mm	l mm	t mm	No. of Teeth	Weight approx. kg
14 21 06 999 E E0A	21	M 6	21	13,5	8	20	33,5	1	4	70	10	24	0,095
14 21 08 999 E E0A		M 8											
14 24 08 999 E E0A	24	M 8	24	16	10	25	40	2,5	4,5	96	14	26	0,155
14 24 10 999 E E0A		M 10											
14 28 10 999 E E0A	28	M 10	28	19	12	30	48,5	4,5	4,5	110	17	28	0,261
14 28 12 999 E E0A		M 12											

Tension Levers with External Thread - Stainless Steel

Order No.	Size	External Thread d ₂	Length of Screw l ₁ (mm)																	
14 21 08 ... E E0A	21	M 8	16	20	25	32	40	50	63											
14 24 10 ... E E0A	24	M 10		20	25	32	40	50	63											
14 28 12 ... E E0A	28	M 12			25	32	40	50	63											

... Please indicate here the desired length of screw e.g. 032 for l₁ = 32 mm.

Safety Clamp Levers adjustable

17

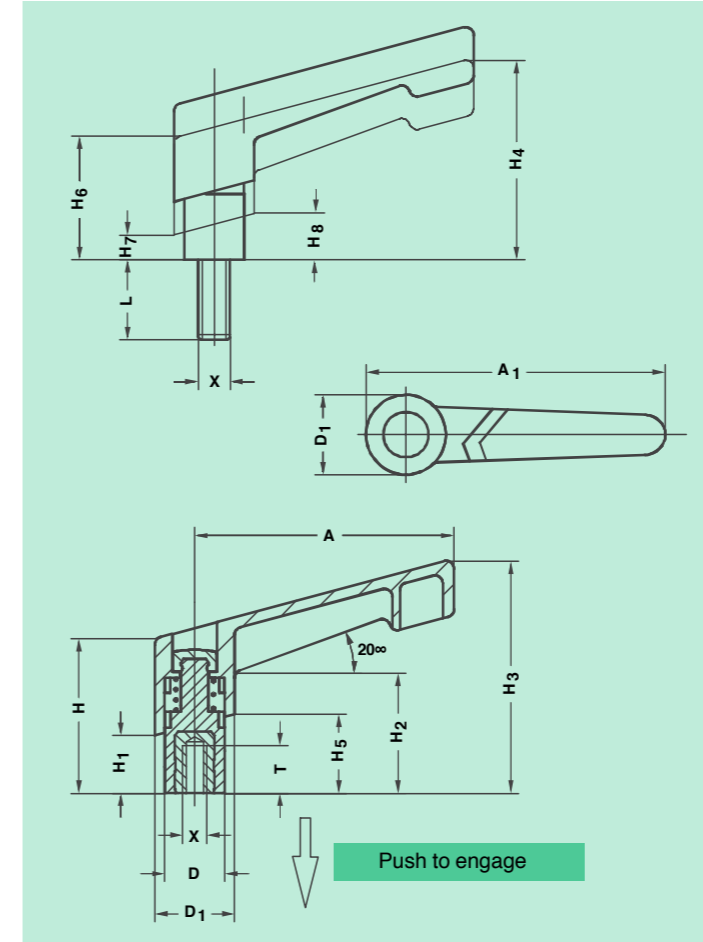


Zimmermann Safety Clamp Levers are used on such applications where a thoughtless or mistaken releasing or re-positioning of the tension lever could lead to an accident. The lever in its rest position is not connected with the internal spindle and can be rotated un-hindered. The tension lever engages in the serration only after pushing it down, thus allowing clamping or unclamping. The ifreewheeli position is re-established as soon as the handle is released.

Model: Handle from special glass-fibre reinforced polyamide. Bush resp. screw from zinc-plated steel quality 4.8, surrounded by plastic body.

Standard colours:
Handle: black RAL 9005.
Push button: orange RAL 2004.

Other colours on request.



Safety Clamp Levers - Internal Thread

order no. handle black, push button orange	size	internal thread X	A mm	A ₁ mm	D mm	D ₁ mm	H mm	H ₁ mm	H ₂ mm	H ₃ mm	H ₄ mm	H ₅ mm	H ₆ mm	H ₇ mm	H ₈ mm	T mm	no. of teeth	weight approx. kg	
44 042 05 999 01	42	M 5	42	50	12	16	27	8,5	20,5	40	36	12	23	4,5	16	9	10	0,010	
44 042 06 999 01		M 6																	
44 065 06 999 01	65	M 6	65	75	15	20	37	14	29	56	50	18,5	30	7	11,5	12	12	0,022	
44 065 08 999 01		M 8																	
44 080 10 999 01	80	M 10	80	92,5	20	25	48	16,5	37	70	61	22	40	9	14	17	12	0,051	
44 080 12 999 01		M 12																	

Safety Clamp Levers - External Thread

order no. handle black, push button orange	size	external thread X	length of screw L (mm)																
44 042 06 ... 01	42	M 6	10	20															
44 065 08 ... 01	65	M 8		15	20	30													
44 080 10 ... 01	80	M 10			20	30	40												
44 080 12 ... 01		M 12				30	50												

... Please indicate here the desired length of screw e.g. 020 for L = 20 mm.

Flat Clamp Lever

Adjustable
Special glass-fibre reinforced Polyamide
New design

18

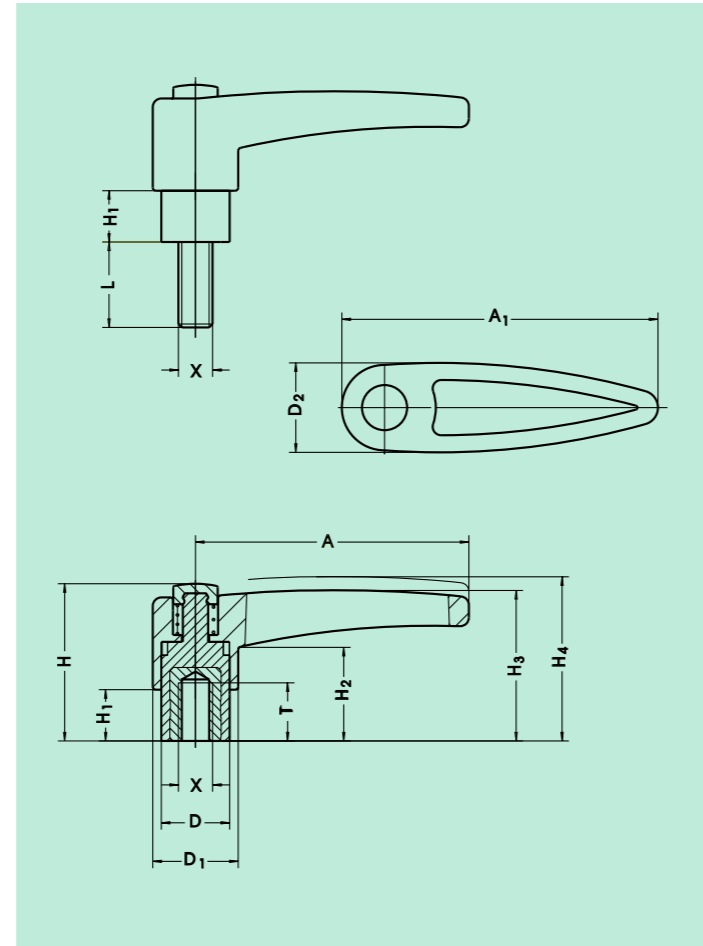


Completely new design with perfect handling. In high quality. Zimmermann Flat Clamp Levers maximize handling and tensioning. Especially suitable in hygiene areas such as hospital equipping and food stuffs or fitness equipment.

Model: Handle from special glass-fibre reinforced polyamide. Bush resp. screw from zinc-plated steel quality 4.8, surrounded by plastic body.

Standard colours:

Handle and push button: black RAL 9005 or orange RAL 2004. Other colours on request.



Flat Clamp Lever - Internal thread

order no. handle black, push button black	order no. handle black, push button orange	order no. handle orange, push button black	size	internal thread X	A mm	A ₁ mm	D mm	D ₁ mm	H mm	H ₁ mm	H ₂ mm	H ₃ mm	H ₄ mm	T mm	no. of teeth	weight approx. kg
17 042 04 999 00	17 042 04 999 01	17 042 04 999 10	42	M 4	42	50	12	16	26,5	7,5	15,1	25,8	28,6	9	10	0,010
17 042 05 999 00	17 042 05 999 01	17 042 05 999 10		M 5												
17 042 06 999 00	17 042 06 999 01	17 042 06 999 10		M 6												
17 065 06 999 00	17 065 06 999 01	17 065 06 999 10	65	M 6	65	75	15	23	36	8	17	35	39	12	12	0,026
17 065 08 999 00	17 065 08 999 01	17 065 08 999 10		M 8												
17 080 08 999 00	17 080 08 999 01	17 080 08 999 10	80	M 8	80	92,5	20	25	46	15	27,4	44	48	17	12	0,051
17 080 10 999 00	17 080 10 999 01	17 080 10 999 10		M 10												
17 080 11 999 00	17 080 11 999 01	17 080 11 999 10		M 11												
17 080 12 999 00	17 080 12 999 01	17 080 12 999 10		M 12												

Flat Clamp Lever - External thread

order no. handle black, push button black	order no. handle black, push button orange	order no. handle orange, push button black	size	external thread X	length of screw L (mm)
17 042 04 ... 00	17 042 04 ... 01	17 042 04 ... 10	42	M 4	10
17 042 05 ... 00	17 042 05 ... 01	17 042 05 ... 10		M 5	10 20 30
17 042 06 ... 00	17 042 06 ... 01	17 042 06 ... 10		M 6	10 15 20 25 30 45
17 065 06 ... 00	17 065 06 ... 01	17 065 06 ... 10	65	M 6	10 20 30 35
17 065 08 ... 00	17 065 08 ... 01	17 065 08 ... 10		M 8	15 20 25 30 35 40 50
17 080 10 ... 00	17 080 10 ... 01	17 080 10 ... 10	80	M 10	20 30 40 50
17 080 12 ... 00	17 080 12 ... 01	17 080 12 ... 10		M 12	30 40 50

Please indicate here the desired length of screw, e.g. 025 for L = 25 mm.

Quick Release Handle

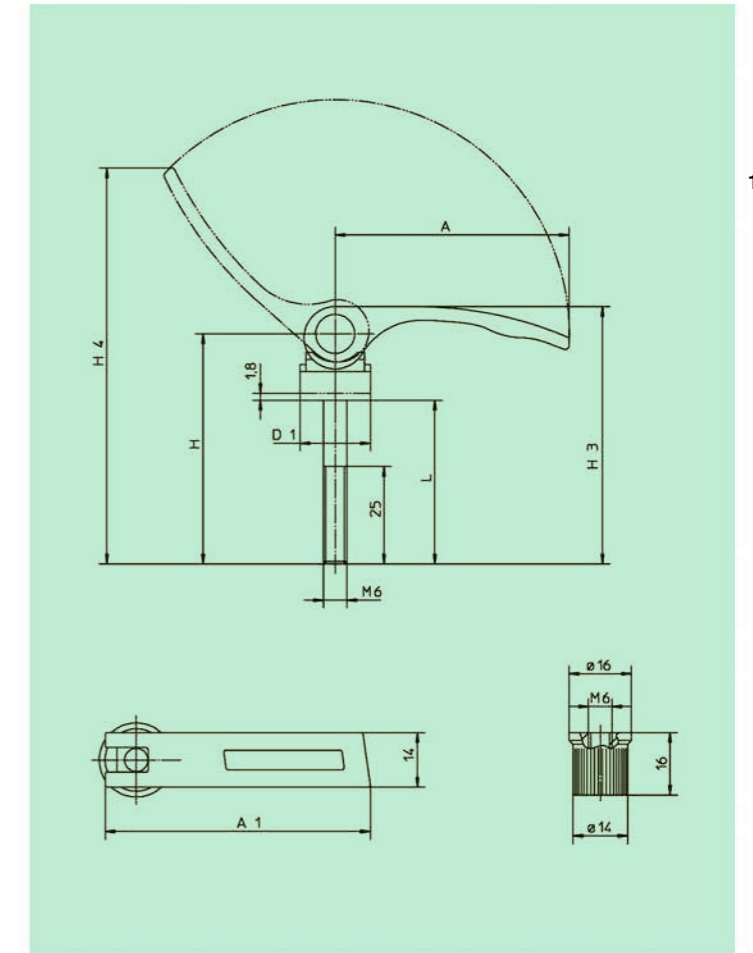


Designed for agreeable and safe operating.

Model: Handle and nut from anodised aluminium. Screw from steel quality 5.8, black oxide finished.

Type A: without nut

Type B: with nut



Quick Release Handle

Order nr. Type A	Order nr. Type B	thread	L mm	A mm	A ₁ mm	D ₁ mm	H mm	H ₃ mm	H ₄ mm	Weight ca. g
95 62 06 043 A	95 62 06 043 B	M6	43	62	71	18	58	66	104	41

Safety Tension Levers

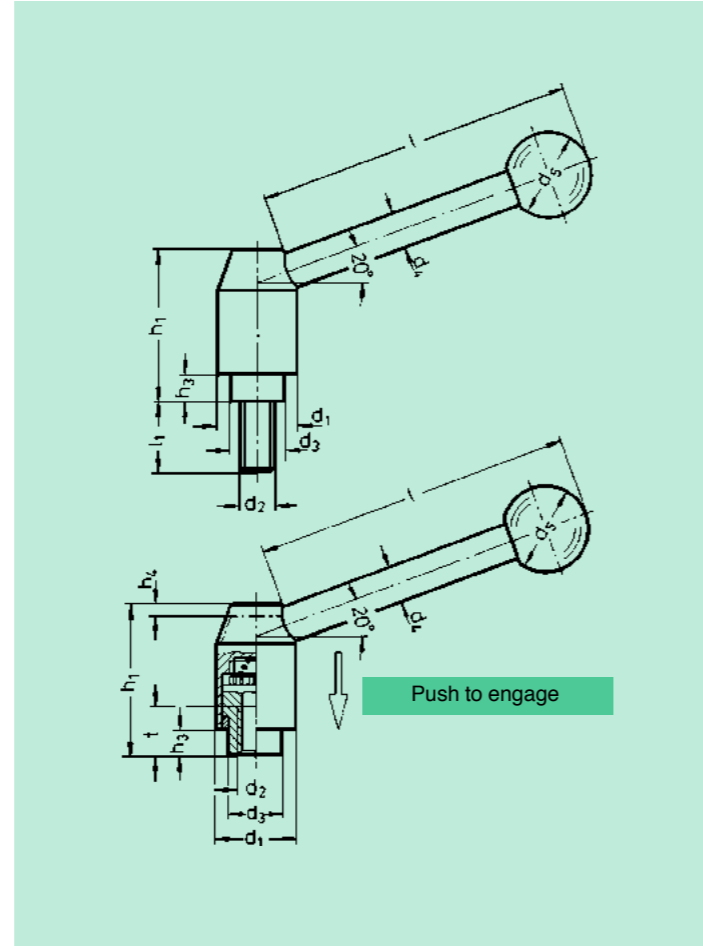
adjustable



20

Safety Tension Levers are used on such applications where a thoughtless or mistaken releasing or re-positioning of the tension lever could lead to an accident. The lever in its rest position is not connected with the internal spindle and can be rotated un-hindered. The tension lever engages in the serration only after pushing it down, thus allowing clamping or unclamping. The freewheel position is re-established as soon as the handle is released.

Model: Steel parts stability class 5.8, black oxide finished. Ball knob DIN 319, plastic, black.



Safety Tension Levers - Internal Thread

Order No.	Size	Internal Thread d ₂	d ₁ mm	d ₃ mm	d ₄ mm	d ₅ mm	h ₁ mm	h ₃ mm	h ₄ mm	l mm	t mm	No. of Teeth	Weight approx. kg
19 21 08 999 E	21	M 8	21	13,5	8	20	37	4,5	3	70	10	24	0,095
19 24 10 999 E	24	M 10	24	16	10	25	44	6,5	3,5	96	14	26	0,155
19 28 12 999 E	28	M 12	28	19	12	30	53	8,5	4	110	17	28	0,261
19 33 16 999 E	33	M 16	33	23	12	32	60	10,5	4,5	124	23	30	0,372

Safety Tension Levers - External Thread

Order No.	Size	External Thread d ₂	Length of Screw l ₁ (mm)
19 21 08 ... E	21	M 8	16
19 24 10 ... E	24	M 10	20
19 28 12 ... E	28	M 12	20
19 33 16 ... E	33	M 16	32

... Please indicate here the desired length of screw e.g. 032 for l₁ = 32 mm.

Clamp Levers

unadjustable



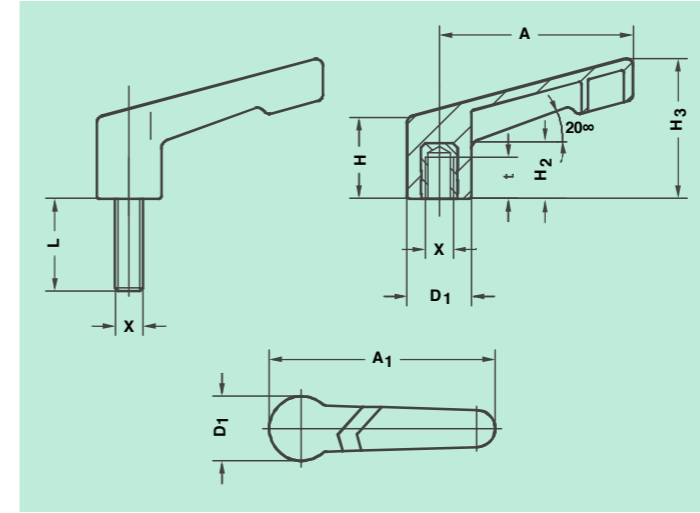
21

Zimmermann Clamp Levers unadjustable are used as tension element as well as for operating process.

Model: Handle from special glass-fibre reinforced polyamide. Bush resp. screw from zinc-plated steel quality 4.8.

Standard colour of the handle: black RAL 9005.

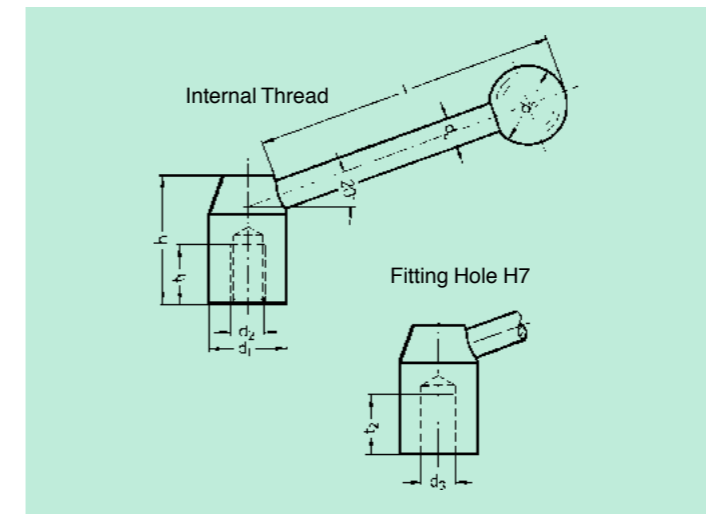
Other sizes and dimensions on request.



Unadjustable Clamp Levers

Order No.	Internal Thread	Internal Thread x	t mm	Weight approx. ca. g	Order No.	External Thread	External Thread X	Length of Screw L (mm)	Size A mm	A ₁ mm	D ₁ mm	H mm	H ₂ mm	H ₃ mm
12 042 04 999 sw	M4		9	7					42	49	14	18	12	30
12 042 05 999 sw	M5		9	7	12 042 05 ... sw	M5		10	42	49	14	18	12	30
12 042 06 999 sw	M6		9	7	12 042 06 ... sw	M6		10	42	49	14	18	12	30

... Please indicate here the desired length e.g. 020 for L = 20 mm.



Tension Levers

unadjustable



STANDARDNI VPENJALNI ELEMENTI
www.metalika-kacin.com

Zimmermann Tension Levers are used as tension element as well as for operating process.

Model: Steel parts stability class 5.8, black oxide finished. Ball knob DIN 319, plastic, black. With internal thread or with fitting hole H7.

Handles with 0° lever position or tension lever from stainless steel are available on request.

Unadjustable Tension Levers

Order No.	Order No.	Size	Internal Thread d ₂	Fitting Hole d ₃ H7	d ₁ mm	d ₄ mm	d ₅ mm	h mm	l ~ mm	t ₁ mm	t ₂ mm
31 20 08 999	31 20 08 PBG	20	M 8	B 8	20	8	20	33	70	15	17
31 22 10 999	31 22 10 PBG	22	M 10	B 10	22	8	20	37	82	15	19
31 28 12 999	31 28 12 PBG	28	M 12	B 12	28	12	30	47	110	18	23
31 36 16 999	31 36 16 PBG	36	M 16	B 16	36	14	35	58	138	24	27
31 40 20 999	31 40 20 PBG	40	M 20	B 20	40	16	40	64	152	27	29

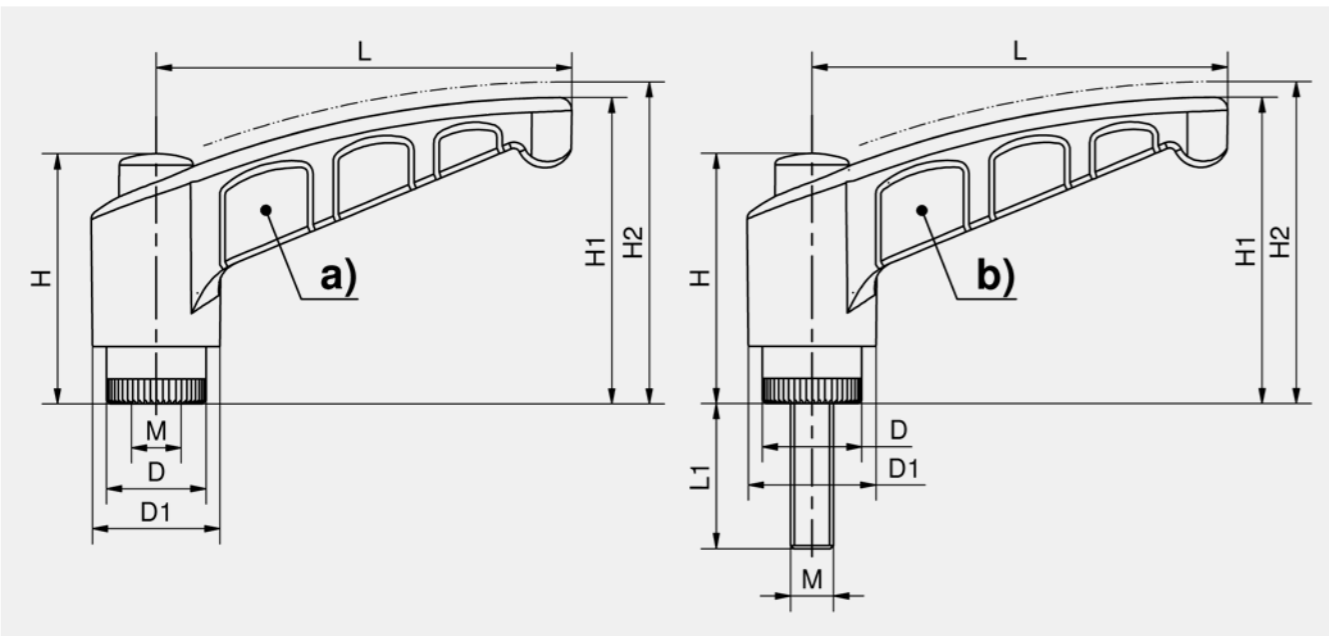


Advantages

- Handle freely adjustable by pressing the button.
- Automatic latching of the handle after releasing the push-button.
- Secure and tool-less clamping and tensioning of components.

Materials

- **Handle:** PA, black
- **Bush:** brass
- **Stud:** steel, zinc plated



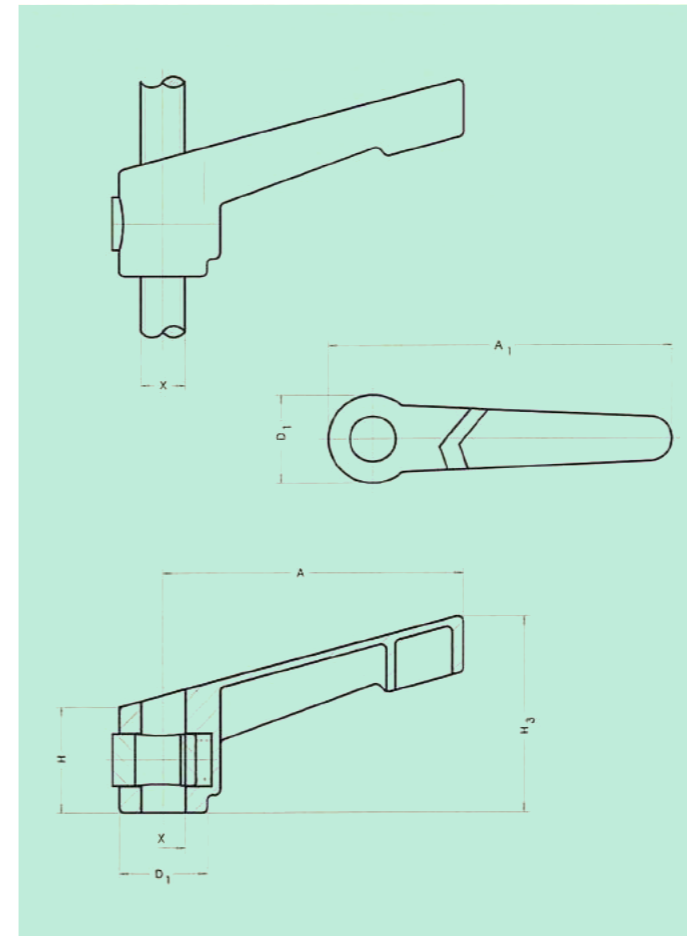
Adjustable clamping lever with internal thread

	Part Number	D	D1	H	H1	H2	L	M	Delivery Unit
a)	214-9101.00-00000	12 mm	15 mm	29 mm	34 mm	37 mm	45 mm	M5	100 pcs.
a)	214-9102.00-00000	12 mm	15 mm	29 mm	34 mm	37 mm	45 mm	M6	100 pcs.
a)	214-9103.00-00000	16 mm	20 mm	36 mm	45 mm	48 mm	65 mm	M8	100 pcs.
a)	214-9104.00-00000	19 mm	23 mm	46 mm	56 mm	59 mm	80 mm	M10	100 pcs.

Adjustable clamping lever with threaded stud

	Part Number	D	D1	H	H1	H2	L	L1	M	Delivery Unit
b)	214-9101.00-00510	12 mm	15 mm	29 mm	34 mm	37 mm	45 mm	10 mm	M5	100 pcs.
b)	214-9102.00-00620	12 mm	15 mm	29 mm	34 mm	37 mm	45 mm	20 mm	M6	100 pcs.
b)	214-9102.00-00625	12 mm	15 mm	29 mm	34 mm	37 mm	45 mm	25 mm	M6	100 pcs.
b)	214-9103.00-00820	16 mm	20 mm	36 mm	45 mm	48 mm	65 mm	20 mm	M8	100 pcs.
b)	214-9103.00-00825	16 mm	25 mm	36 mm	45 mm	48 mm	65 mm	25 mm	M8	100 pcs.
b)	214-9103.00-00830	16 mm	20 mm	36 mm	45 mm	48 mm	65 mm	30 mm	M8	100 pcs.
b)	214-9104.00-01020	19 mm	23 mm	46 mm	56 mm	59 mm	80 mm	20 mm	M10	100 pcs.
b)	214-9104.00-01025	19 mm	23 mm	46 mm	56 mm	59 mm	80 mm	25 mm	M10	100 pcs.
b)	214-9104.00-01030	19 mm	23 mm	46 mm	56 mm	59 mm	80 mm	30 mm	M10	100 pcs.

Quick Release Handles



A big time saver. The handle with continuous thread allows quick clamping with long threaded spindles. Only press the button and the thread is disengaged. Now you can open the handle quickly and easily. Release the button, the thread becomes engaged by spring pressure again and you can carry out the clamping process.

Model: Handle made of zinc die-cast, black RAL 9005. Steel insert bronzed.

Quick Release Handles

Order No.	Internal Thread X	Size A mm	A ₁ mm	D ₁ mm	H mm	H ₃ mm	Weight approx. kg
17 065 06 sw	M 6	65	75	21	26	45	0,082
17 078 08 sw	M 8	78	90	24	29	52	0,118
17 078 10 sw	M 10						
17 108 12 sw	M 12	108	124	32	38	71	0,236
17 108 16 sw	M 16						

