

# RFI Sealing Profiles Clip-on

[5-149]



### Advantages

- The EMV shielding profile is an enhancement of gasketing see product system 5-150 and 5-151.
- These profiles possess an additional form closed clotted Cu/Sn fleece.
- Clip-on sealing profile.
- This profile adds the EMI / RFI shielding feature to the proven profile 5-150/5-151.
- **Version a), b) and c) tested according to UL 157 and UL 50E.**
- On request we put data sheets to your disposal.

### Materials

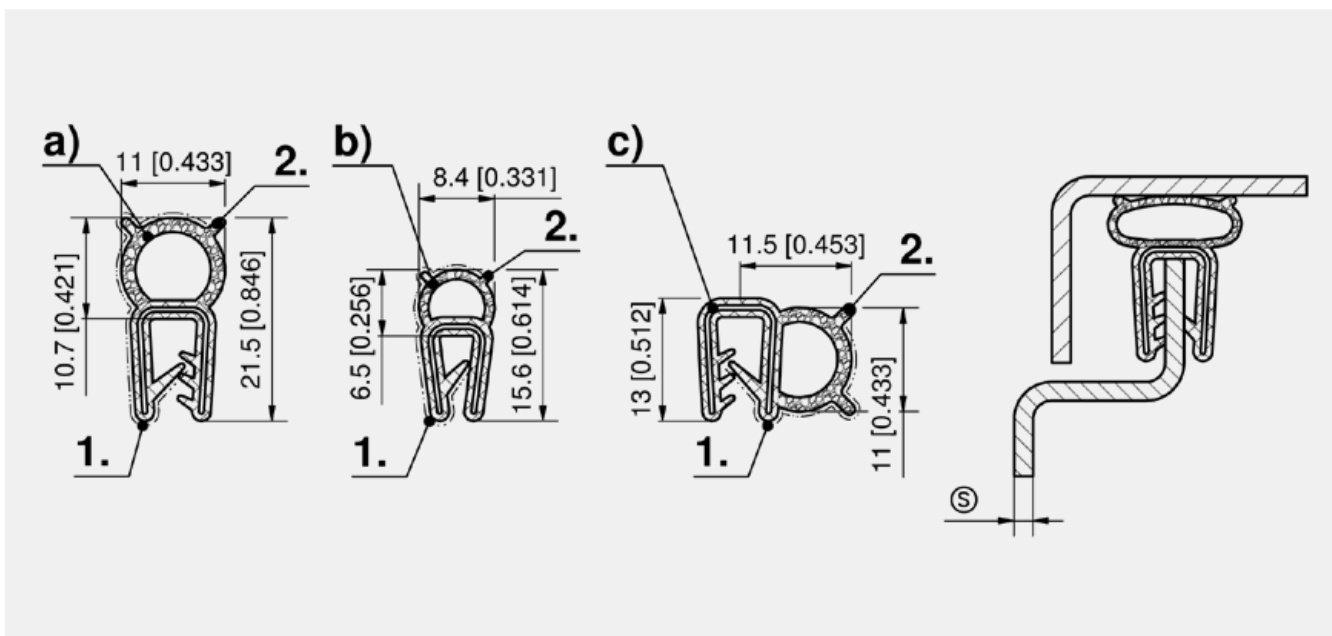
- **Carrier:** EPDM
- **Fleece:** Cu/Sn coated

### Remarks

1. Form closed clotted Cu/Sn fleece.
2. Outside lip (water- and dust sealing)



**RoHS WEEE**



### RFI Sealing Profiles

	Part Number	Material	Colour	RFI	Clamping range	Width W	Height H	Packaging unit
a)	209-1301.00-L2006	EPDM	black	Yes	1.0 - 3 mm	11 mm	21.5 mm	100 m
c)	209-1302.00-L2006	EPDM	black	Yes	2 mm	11.5 mm	13 mm	100 m
b)	209-1305.00-00000	EPDM	black	Yes	1.0 - 2 mm	8.4 mm	15.6 mm	100 m

### Contact tape for EMI/RFI

Part Number	Material	RFI	Width W	Mask	Packaging unit
209-1331.00-00012	fleece (CuSn coated)	Yes	12 mm	9 mm	300 m
209-1331.00-00022	fleece (CuSn coated)	Yes	22 mm	19 mm	300 m
209-1331.00-00025	fleece (CuSn coated)	Yes	25 mm	21 mm	300 m