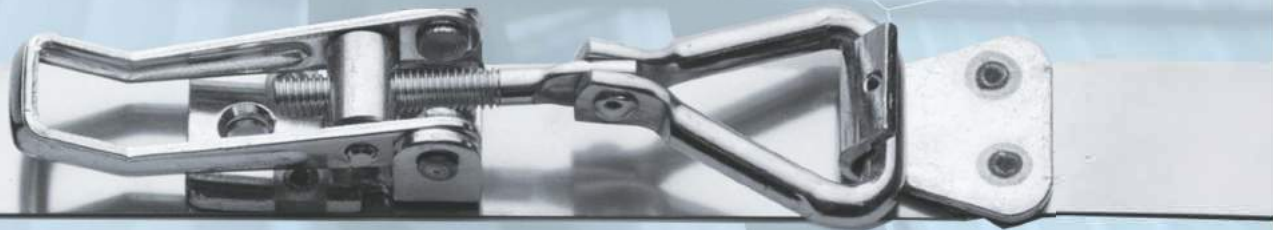
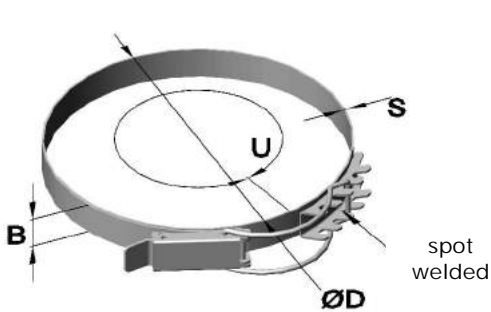


Tension Bands

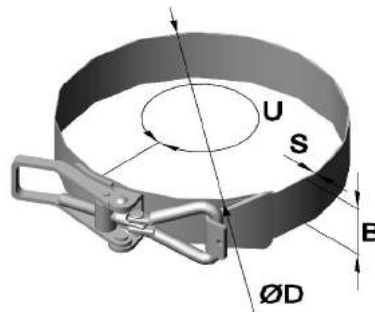


TENSION BANDS AND HOSE CLAMPS.....	C
• TENSION BANDS AND HOSE CLAMPS	C-1
• „BAND-IT“ TENSION BANDS AND CABLE TIES.....	C-31
• HOSE CLIPS AND PIPE CLIPS.....	C-51

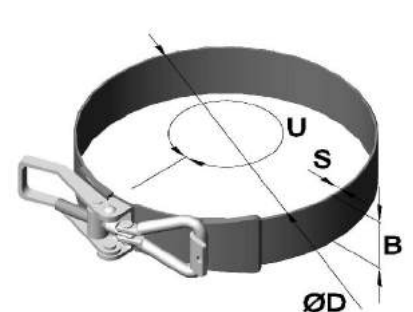
Tension bands and hose clamps



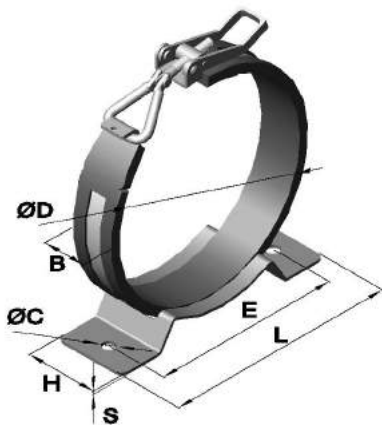
Series 1201
tension band
with and without
spring



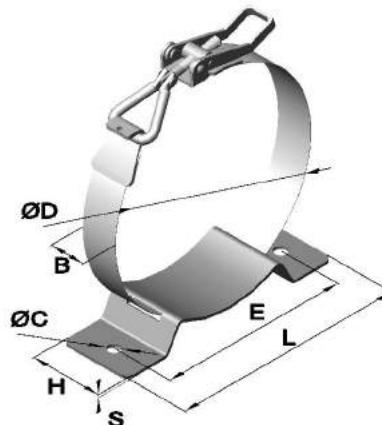
Series 1301
tension band



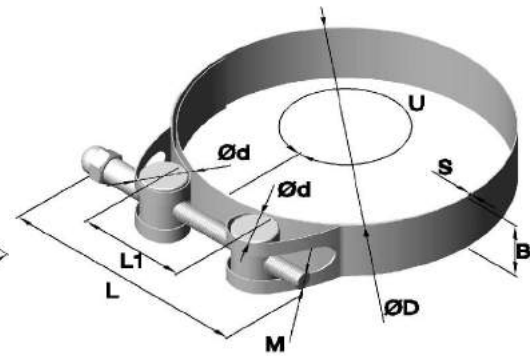
Series 1401
tension band with
plastic coating



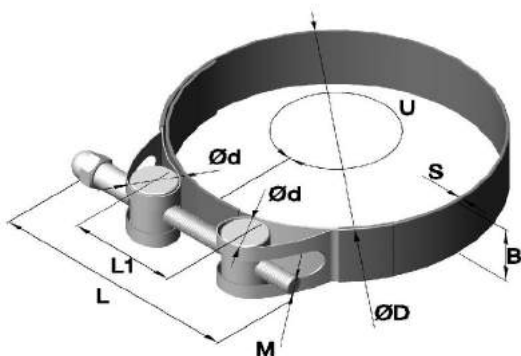
Series 1501
hose clamp
with console and
C-rubber profile



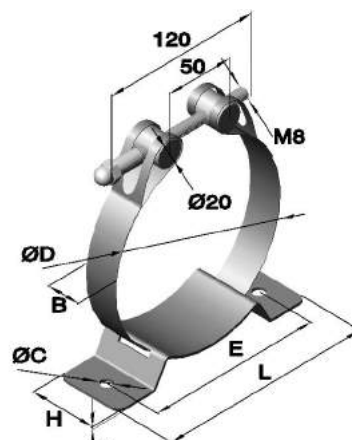
Series 1601
hose clamp
with console



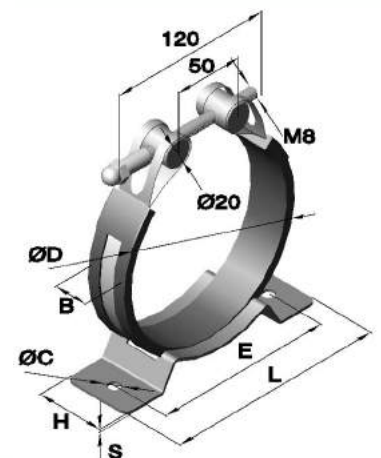
Series 1701
hinge bolt-tension band



Series 1801
hinge bolt-tension band
with rubber profile



Series 1901 Type 1
hose clamp with
console and hinge bolt



Series 1901 Type 2
hose clamp with console, C-rubber
profile and hinge bolt

Tension bands and hose clamps

Tension band „Series 1201.F“

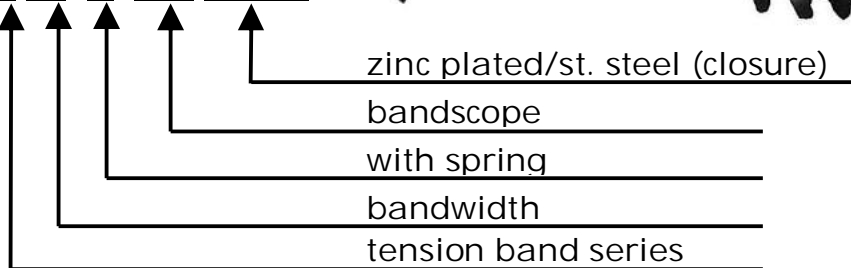
Combination-example: with spring

- latch 1009.04
- strike C-1322-00 with spring
- band 10x0,4mm



Order example:

Art.no 12 10 F. 361 .04/30



Article no.					Dimensions in mm	
Series	B Bandwidth	U Scope in mm	Material		Ø D	S Thickness
			Zinc plated	Raw		
			Steel	Stainless steel		
12	08F.	from 315-until ∞	.04	.30	from Ø100-∞	0,4/1,0
12	10F.	from 315-until ∞	.04	.30	from Ø100-∞	0,4/1,0

Standard dimensions in accordance with DN (Diameter Nominal)

Article no.					Dimensions in mm		
Series	B Bandwidth	DN	Material		Ø D	U Scope	S Thickness
			Zinc plated	Raw			
			Steel	Stainless steel			
1210F.	DN 100		.04	.30	Ø 114,3	359	0,4/1,0
1210F.	DN 125		.04	.30	Ø 139,7	439	0,4/1,0
1210F.	DN 150		.04	.30	Ø 168,3	529	0,4/1,0
1210F.	DN 200		.04	.30	Ø 219,1	688	0,4/1,0
1210F.	DN 250		.04	.30	Ø 273,0	858	0,4/1,0
1210F.	DN 300		.04	.30	Ø 323,9	1018	0,4/1,0

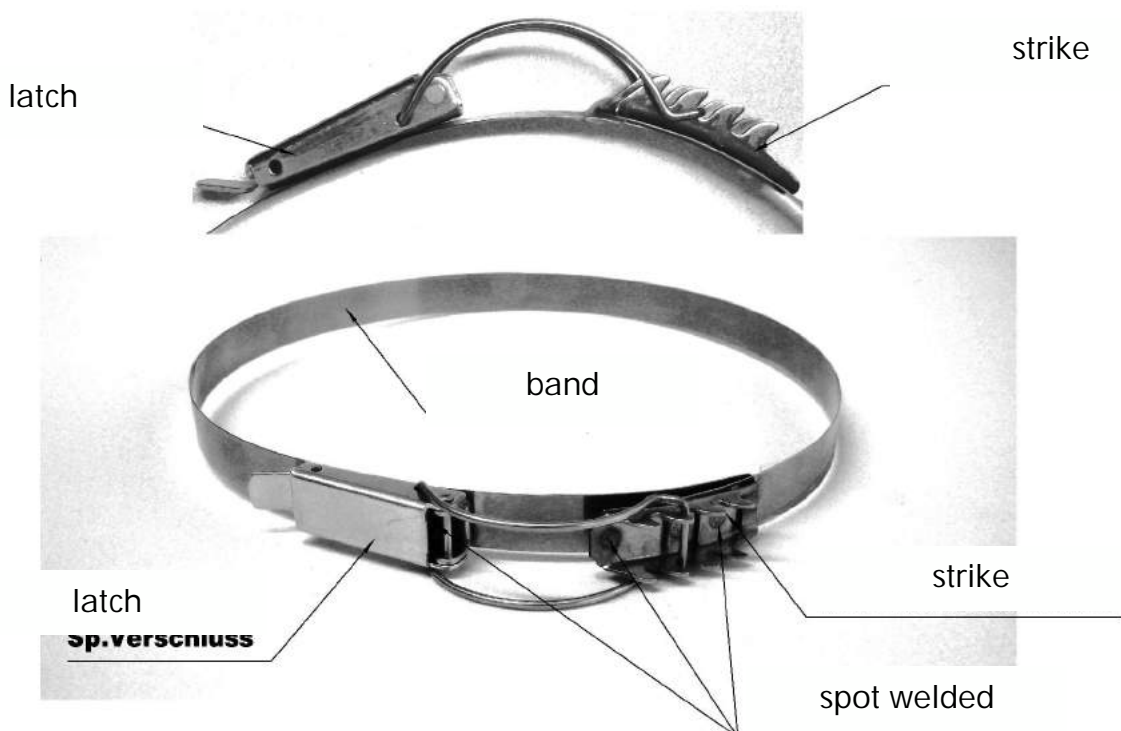
Further combinations are possible

Tension bands and hose clamps

Tension band with latch „Series 1201“

Combination-example: without spring

- latch 1009.30/6
- strike C-1322-202NB.30
- band 15x1,0mm



Standard dimensions in accordance with DN (Diameter Nominal)

Article no.		Dimensions in mm					
Series	B Bandwidth	DN	Material		Ø D	U Scope	S Thickness
			Zinc plated	Raw			
			Steel	Stainless steel			
1215.	DN 100		.04	.30	Ø 114,3	359	0,4/1,0
1215.	DN 125		.04	.30	Ø 139,7	439	0,4/1,0
1215.	DN 150		.04	.30	Ø 168,3	529	0,4/1,0
1215.	DN 200		.04	.30	Ø 219,1	688	0,4/1,0
1215.	DN 250		.04	.30	Ø 273,0	858	0,4/1,0
1215.	DN 300		.04	.30	Ø 323,9	1018	0,4/1,0

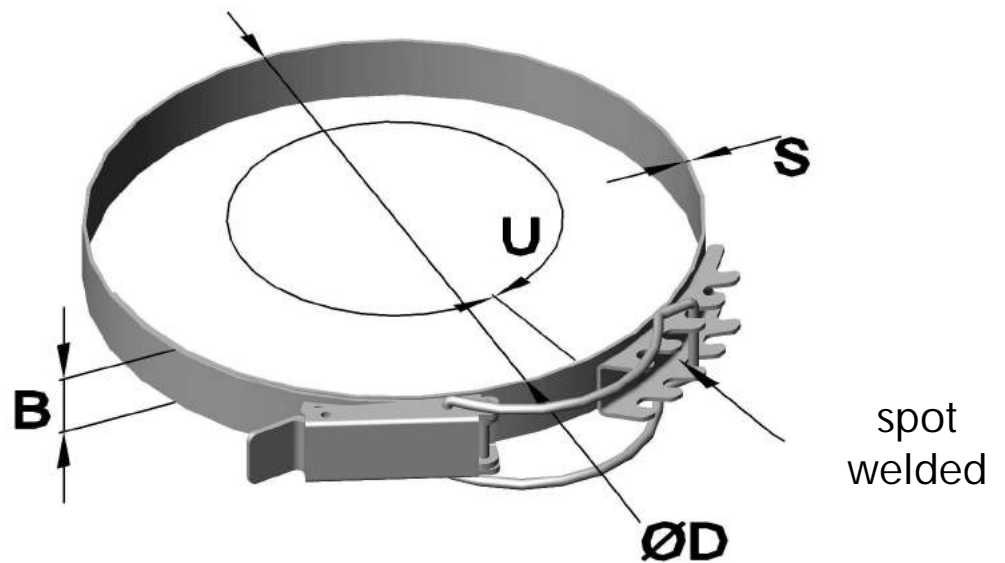
Further combinations are possible

Tension bands and hose clamps

Tension band with latch „Series 1201“

Combination-example: without spring

- latch 1201.33/6
- strike C-1322-202NB.30
- band 15x1,0mm



Order example:

Art.no 12 15.361.04/30



Article no.					Dimensions in mm	
Series	B Bandwidth	U Scope in mm	Material		Ø D	S Thickness
			Zinc plated	Raw		
			Steel	Stainless steel		
12	10.	from 315-untill ∞	.04	.30	ab Ø100-∞	0,4/1,0
12	15.	from 315-untill ∞	.04	.30	ab Ø100-∞	0,4/1,0
12	20.	from 315-untill ∞	.04	.30	ab Ø100-∞	0,4/1,0
12	25.	from 315-untill ∞	.04	.30	ab Ø100-∞	0,4/1,0
12	30.	from 315-untill ∞	.04	.30	ab Ø100-∞	0,4/1,0
12	35.	from 315-untill ∞	.04	.30	ab Ø100-∞	0,4/1,0

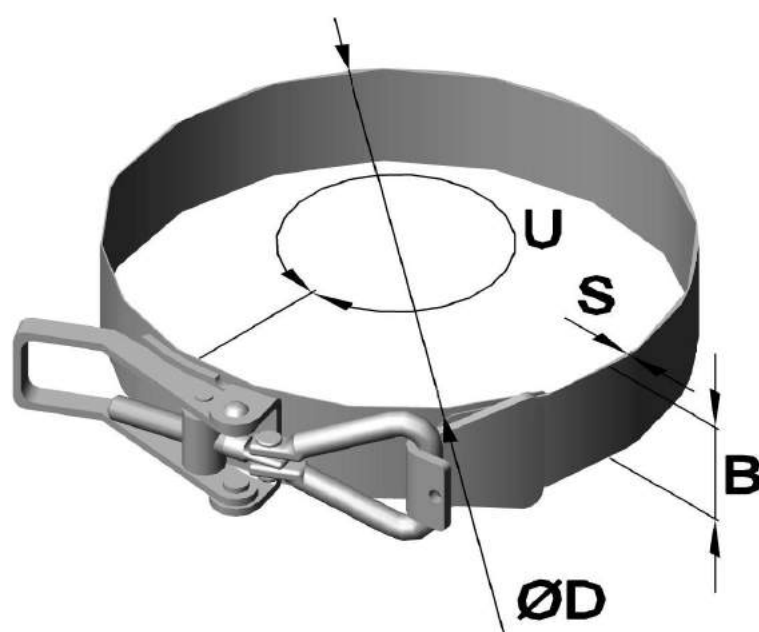
Further combinations are possible

Tension bands and hose clamps

Tension band with latch „Series 1301“

Combination-example:

- latch 3015.33RF-1/MOD
- strike 1301.GEGENHAKEN.33
- band 25x0,4mm
- triangel 120/4.33MOD



Standard dimensions in accordance with DN (Diameter Nominal)

Article no.			Dimensions in mm			
Series	B Bandwidth	DN	Material	Ø D	U Scope	S Thickness
			Raw			
			Stainless steel			
1325.	DN 100		.30	Ø 114,3	359	0,4
1325.	DN 125		.30	Ø 139,7	439	0,4
1325.	DN 150		.30	Ø 168,3	529	0,4
1325.	DN 200		.30	Ø 219,1	688	0,4
1325.	DN 250		.30	Ø 273,0	858	0,4
1325.	DN 300		.30	Ø 323,9	1018	0,4

Further combinations are possible

Tension bands and hose clamps

Tension band with latch „Series 1301“

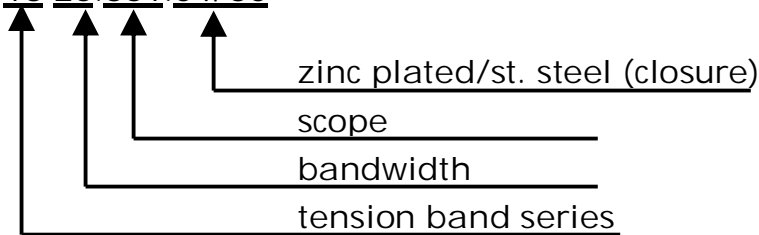
Combination-example:

- latch 3015.04
- strike 3608.04
- band 25x0,4mm



Order example:

Art.no 13 25 361.04/30



Article no.					Dimensions in mm	
Series	B Bandwidth	U Scope in mm	Material		Ø D	S Thickness
			Zinc plated	Raw		
			Steel	Stainless steel		
13	15.	from 315-untill ∞	.04	.30	from Ø100-∞	0,4/1,0
13	20.	from 315-untill ∞	.04	.30	from Ø100-∞	0,4/1,0
13	25.	from 315-untill ∞	.04	.30	from Ø100-∞	0,4/1,0
13	30.	from 315-untill ∞	.04	.30	from Ø100-∞	0,4/1,0
13	35.	from 315-untill ∞	.04	.30	from Ø100-∞	0,4/1,0
13	40.	from 315-untill ∞	.04	.30	from Ø100-∞	0,4/1,0
13	50.	from 315-untill ∞	.04	.30	from Ø100-∞	0,4/1,0

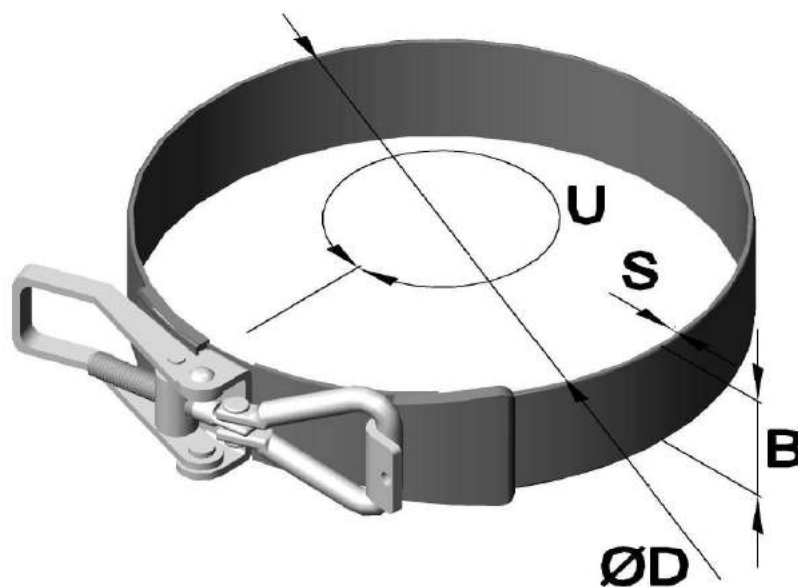
Further combinations are possible

Tension bands and hose clamps

Tension band with latch „Series 1401“
with plastic coating

Combination-example:

- latch 3015.33RF-1/MOD
- strike 1301.GEG.33
- band 25x0,4mm
- triangel 120/4.33MOD
with plastic coating



Standard dimensions in accordance with DN (Diameter Nominal)

Article no.			Dimensions in mm			
Series	B Bandwidth	DN	Material	Ø D	U	S Thickness
			Raw			
			Stainless steel			
	1425.	DN 100	.30	Ø 114,3	359	0,4
	1425.	DN 125	.30	Ø 139,7	439	0,4
	1425.	DN 150	.30	Ø 168,3	529	0,4
	1425.	DN 200	.30	Ø 219,1	688	0,4
	1425.	DN 250	.30	Ø 273,0	858	0,4
	1425.	DN 300	.30	Ø 323,9	1018	0,4

Further combinations are possible

Tension bands and hose clamps

Tension band with latch „Series 1401“
with plastic coating

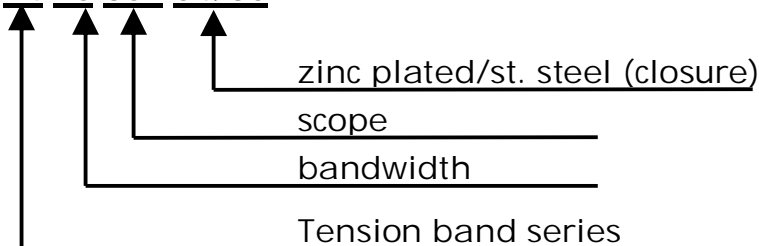
Combination-example:

- latch 3015.04
- strike 3608.04
- band 25x0,4mm
- with plastic coating



Order example:

Art.no 14 25.361.04/30

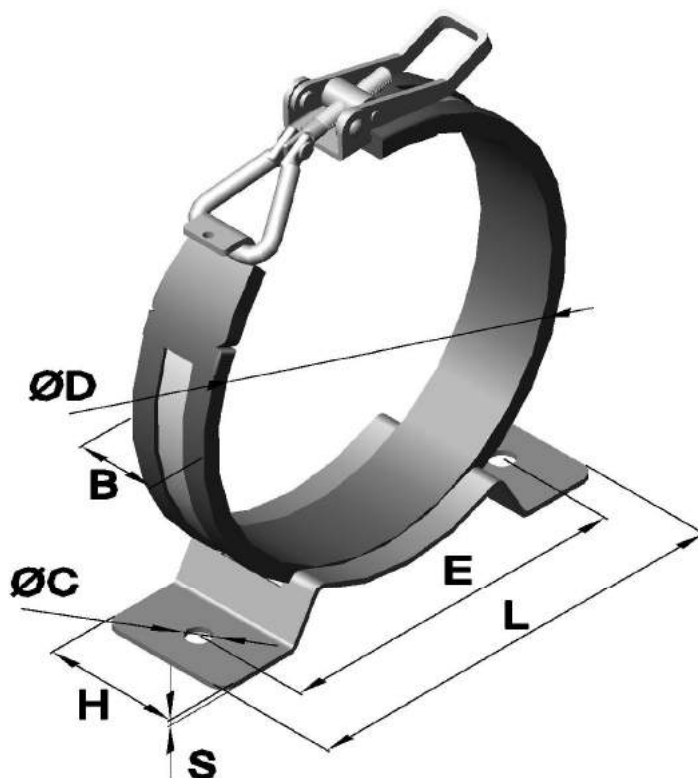


Article no.			Dimensions in mm			
Series	B Bandwidth	U Scope in mm	Material		Ø D	S Thickness
			Zinc plated	Raw		
			Steel	Stainless steel		
14	15.	from 315-untill∞ (stepplesly)	.04	.30	from Ø100-∞	0,4/1,0
14	20.	from 315-untill∞ (stepplesly)	.04	.30	from Ø100-∞	0,4/1,0
14	25.	from 315-untill∞ (stepplesly)	.04	.30	from Ø100-∞	0,4/1,0
14	30.	from 315-untill∞ (stepplesly)	.04	.30	from Ø100-∞	0,4/1,0
14	35.	from 315-untill∞ (stepplesly)	.04	.30	from Ø100-∞	0,4/1,0
14	40.	from 315-untill∞ (stepplesly)	.04	.30	from Ø100-∞	0,4/1,0
14	50.	from 315-untill∞ (stepplesly)	.04	.03	from Ø100-∞	0,4/1,0

Further combinations are possible

Tension bands and hose clamps

Hose clamps „Series 1501“
with console and C-rubber profile



Standard dimensions in accordance with DN (Diameter Nominal)

Article no.			Dimensions in mm						
Series	B Bandwidth	DN	Material	Ø D	H	E	L	ØC	Band
			Raw						
			Stainless steel						
1525.	DN 100		.30	Ø 114,3	50	130	160	9	25x0,4
1525.	DN 125		.30	Ø 139,7	50	130	160	9	25x0,4
1525.	DN 150		.30	Ø 168,3	50	170	200	9	25x0,4
1525.	DN 200		.30	Ø 219,1	50	170	250	9	25x0,4
1525.	DN 250		.30	Ø 273,0	50	220	250	9	25x0,4
1525.	DN 300		.30	Ø 323,9	50	220	250	9	25x0,4

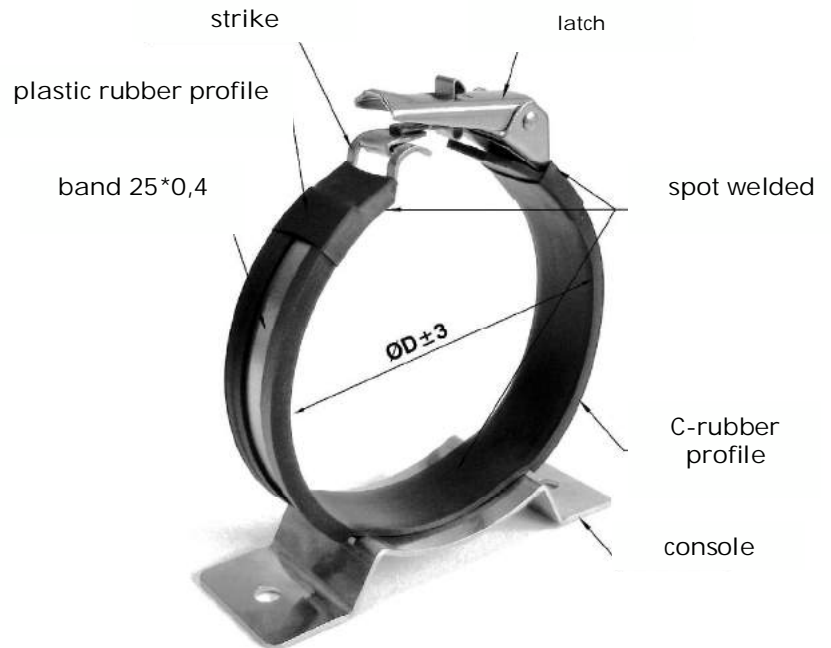
Further combinations are possible

Tension bands and hose clamps

Hose clamps „Series 1501“ with console and C-rubber profile

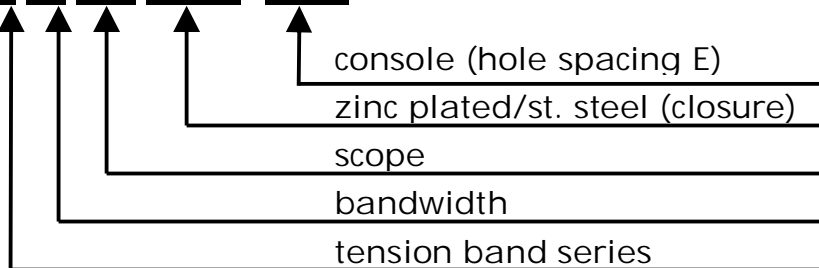
Combination-example:

- latch V951L50-3BP
- strike V951L04x2BP
- band 25x0,4mm
- with C-rubber profile
- with console K130



Order example:

Art.no 15 25 100 04/30 /K130



Article no.						Dimensions in mm					
Series	B Bandwidth	Ø D	Material			Ø C	E	H	L	S	Band
			Zinc plated	Stainless steel	Console						
15	15.	from Ø60-untill Ø120(steplesly)	.04	.30	/K46	5	46	25	56	1,5	15x0,4
15	15.	from Ø100-untill ∞ (steplesly)	.04	.30	/K130	9	130	50	160	2	15x0,4
15	25.	from Ø100-untill ∞ (steplesly)	.04	.30	/K130	9	130	50	160	2	25x0,4
15	15.	from Ø150-untill ∞ (steplesly)	.04	.30	/K170	9	170	50	200	2	15x0,4
15	25.	from Ø150-untill ∞ (steplesly)	.04	.30	/K170	9	170	50	200	2	25x0,4
15	15.	from Ø200-untill ∞ (steplesly)	.04	.30	/K220	9	220	50	250	2	15x0,4
15	25.	from Ø200-untill ∞ (steplesly)	.04	.30	/K220	9	220	50	250	2	25x0,4

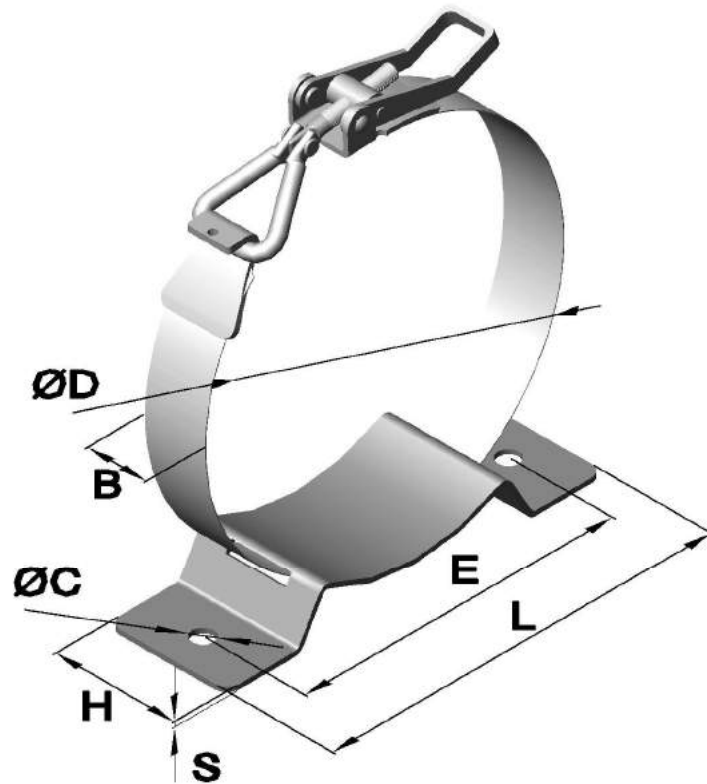
Further combinations are possible

Tension bands and hose clamps

Hose clamps „Series 1601“ with console

Combination-example:

- latch 3015.33RF-1/MOD
- strike 1301.GEGENHAKEN.33
- band 25x0,4mm
- tension band with console 120/4.33MOD
- triangle



Standard dimensions in accordance with DN (Diameter Nominal)

Article no.				Dimensions in mm								
Series	B Bandwidth	DN	Material		Ø D	U	E	H	L	Ø C	S	Band
			Raw									
			Stainless steel	Console								
1625.	DN 100.	.30	K130		Ø 114,3	359	130	50	160	9	2	25x0,4
1625.	DN 125.	.30	K130		Ø 139,7	439	130	50	160	9	2	25x0,4
1625.	DN 150.	.30	K130		Ø 168,3	529	130	50	160	9	2	25x0,4
1625.	DN 200.	.30	K170		Ø 219,1	688	170	50	200	9	2	25x0,4
1625.	DN 250.	.30	K170		Ø 273,0	858	170	50	200	9	2	25x0,4
1625.	DN 300.	.30	K170		Ø 323,9	1018	170	50	200	9	2	25x0,4

Further combinations are possible

Tension bands and hose clamps

Hose clamps „Series 1601“
with console

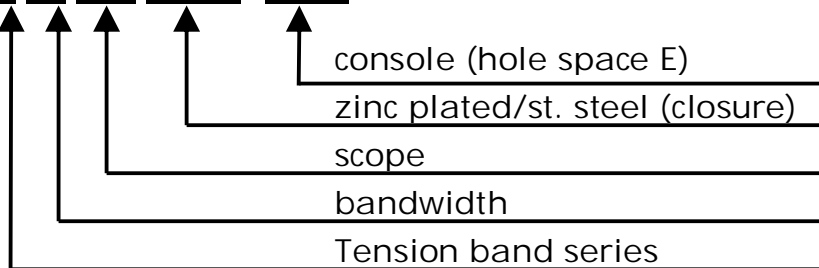
Combination-example:

- latch 3015.04
- strike 3608.04
- band 25x0,4mm
- tension band with console K130



Order example:

Art.no 16 25 100 .04/30 /K130



Article no.			Dimensions in mm								
Series	B Bandwidth	Ø D	Material			Ø C	E	H	L	S	Band
			Zinc plated	Stainless steel	Console						
16	15.	from Ø60-untill Ø120 (stepplesly)	.04	.30	/K46	5	46	25	56	1,5	15x0,4
16	15.	from Ø100-untill ∞ (stepplesly)	.04	.30	/K130	9	130	50	160	2	15x0,4
16	20.	from Ø100-untill ∞ (stepplesly)	.04	.30	/K130	9	130	50	160	2	20x0,4
16	25.	from Ø100-untill ∞ (stepplesly)	.04	.30	/K130	9	130	50	160	2	25x0,4
16	15.	from Ø150-untill ∞ (stepplesly)	.04	.30	/K170	9	170	50	200	2	15x0,4
16	20.	from Ø150-untill ∞ (stepplesly)	.04	.30	/K170	9	170	50	200	2	20x0,4
16	25.	from Ø150-untill ∞ (stepplesly)	.04	.30	/K170	9	170	50	200	2	25x0,4
16	15.	from Ø200-untill ∞ (stepplesly)	.04	.30	/K220	9	220	50	250	2	15x0,4
16	20.	from Ø200-untill ∞ (stepplesly)	.04	.30	/K220	9	220	50	250	2	20x0,4
16	25.	from Ø200-untill ∞ (stepplesly)	.04	.30	/K220	9	220	50	250	2	25x0,4

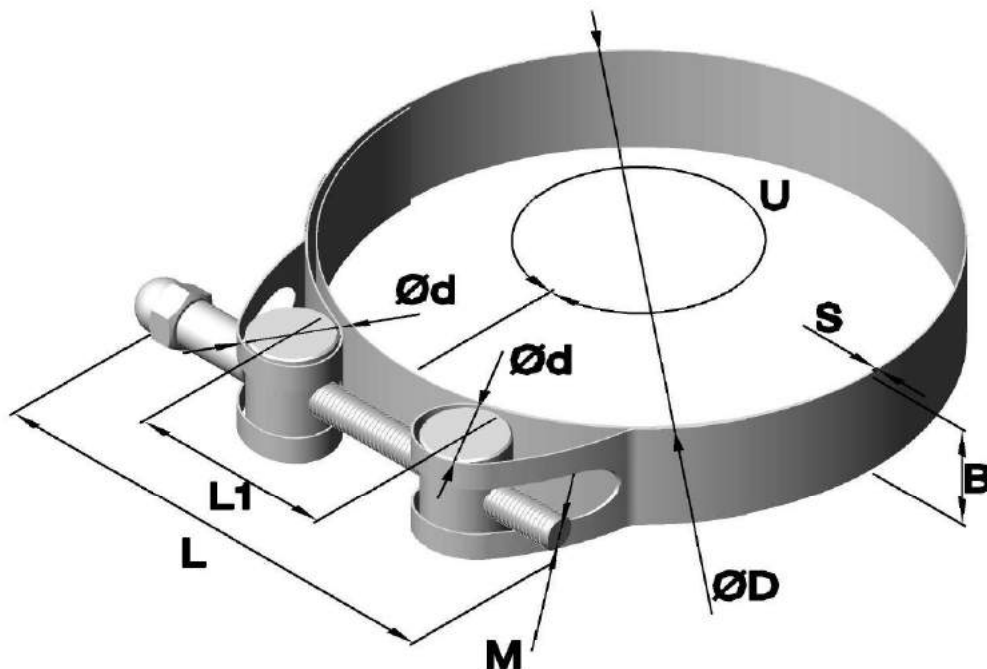
Further combinations are possible

Tension bands and hose clamps

Hinge bolt tension band „Series 1701“

Combination-example:

- band 30x0,4mm
- bolt $\text{Ø}20 \times 30\text{mm}$
- threaded rod M8x120mm



Standard dimensions in accordance with DN (Diameter Nominal)

Article no.			Dimensions in mm							
Series	B Bandwidth	DN	Material	Ø D	U	d	L	L1	M	S Thickness
			Raw							
			Stainless steel							
1730.	DN 100.	30		Ø 114,3	359	20	120	50	M8	0,4
1730.	DN 125.	30		Ø 139,7	439	20	120	50	M8	0,4
1730.	DN 150.	30		Ø 168,3	529	20	120	50	M8	0,4
1730.	DN 200.	30		Ø 219,1	688	20	120	50	M8	0,4
1730.	DN 250.	30		Ø 273,0	858	20	120	50	M8	0,4
1730.	DN 300.	30		Ø 323,9	1018	20	120	50	M8	0,4

Further combinations are possible

Tension bands and hose clamps

Hinge bolt tension band „Series 1701“

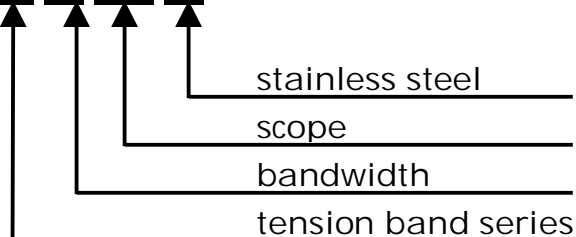
Combination-example:

- band 25x0,4mm
- bolt Ø20x25mm
- threaded rod M8x120mm



Order example:

Art.no 17 30.315.30



Article no.				Dimensions in mm					
Series	B Band-width	U Scope in mm	Material	Ø D	d	L	L1	M	S Thickness
			Raw Stainless steel						
17	20.	from 315-untill ∞ (stepplesly)	.30	from Ø100- ∞	20	100-160	30-50	M8/M10	0,4/1,0
17	25.	from 315-untill ∞ (stepplesly)	.30	from Ø100- ∞	20	120-160	30-50	M8/M10	0,4/1,0
17	30.	from 315-untill ∞ (stepplesly)	.30	from Ø100- ∞	20	160	30-50	M8/M10	0,4/1,0
17	35.	from 315-untill ∞ (stepplesly)	.30	from Ø100- ∞	20	160	30-50	M8/M10	0,4/1,0
17	40.	from 315-untill ∞ (stepplesly)	.30	from Ø100- ∞	20	160	30-50	M8/M10	0,4/1,0
17	50.	from 315-untill ∞ (stepplesly)	.30	from Ø100- ∞	20	160	30-50	M8/M10	0,4/1,0

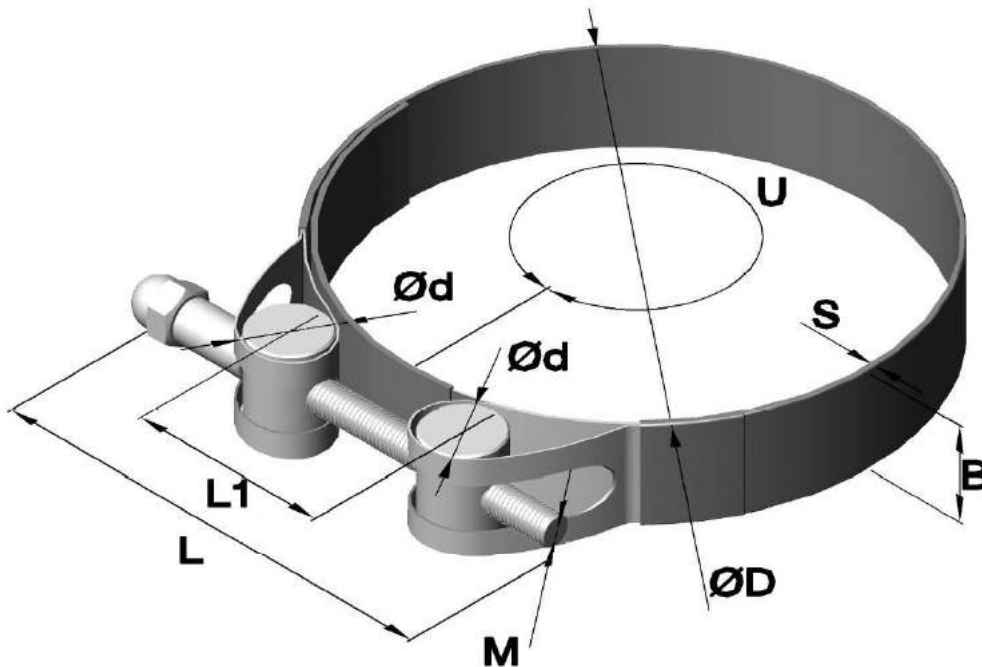
Further combinations are possible

Tension bands and hose clamps

Hinge bolt tension band „Series 1801“
with plastic rubber profile

Combination-example:

- band 30x0,4mm with rubber profile
- bolt $\text{Ø}20 \times 30 \text{mm}$ 1730.QB.30/M8
- threaded rod M8x120mm



Standard dimensions in accordance with DN (Diameter Nominal)

Article no.			Dimensions in mm							
Series	B Bandwidth	DN	Material	Ø D	U	d	L	L1	M	S Thickness
			Raw							
			Stainless steel							
1830.	DN 100.	30		Ø 114,3	359	20	120	50	M8	0,4
1830.	DN 125.	30		Ø 139,7	439	20	120	50	M8	0,4
1830.	DN 150.	30		Ø 168,3	529	20	120	50	M8	0,4
1830.	DN 200.	30		Ø 219,1	688	20	120	50	M8	0,4
1830.	DN 250.	30		Ø 273,0	858	20	120	50	M8	0,4
1830.	DN 300.	30		Ø 323,9	1018	20	120	50	M8	0,4

Further combinations are possible

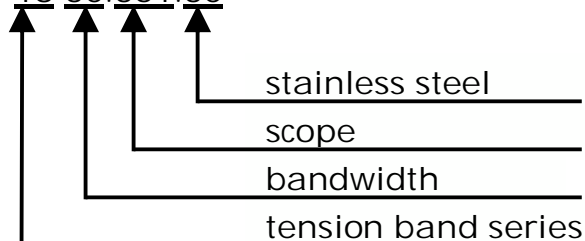
Tension bands and hose clamps

Hinge bolt tension band „Series 1801“
with rubber profile



Order example:

Art.no. 18 30.361.30



Article no.				Dimensions in mm					
Series	B Band- width	U Scope in mm	Material	Ø D	d	L	L1	M	S Thickness
			Raw Stainless steel						
18	20.	from 315-untill ∞ (stepplesly)	.30	from Ø100- ∞	20	100-160	30-50	M8/M10	0,4/1,0
18	25.	from 315-untill ∞ (stepplesly)	.30	from Ø100- ∞	20	120-160	30-50	M8/M10	0,4/1,0
18	30.	from 315-untill ∞ (stepplesly)	.30	from Ø100- ∞	20	160	30-50	M8/M10	0,4/1,0
18	35.	from 315-untill ∞ (stepplesly)	.30	from Ø100- ∞	20	160	30-50	M8/M10	0,4/1,0
18	40.	from 315-untill ∞ (stepplesly)	.30	from Ø100- ∞	20	160	30-50	M8/M10	0,4/1,0
18	50.	from 315-untill ∞ (stepplesly)	.30	from Ø100- ∞	20	160	30-50	M8/M10	0,4/1,0

Tension bands and hose clamps

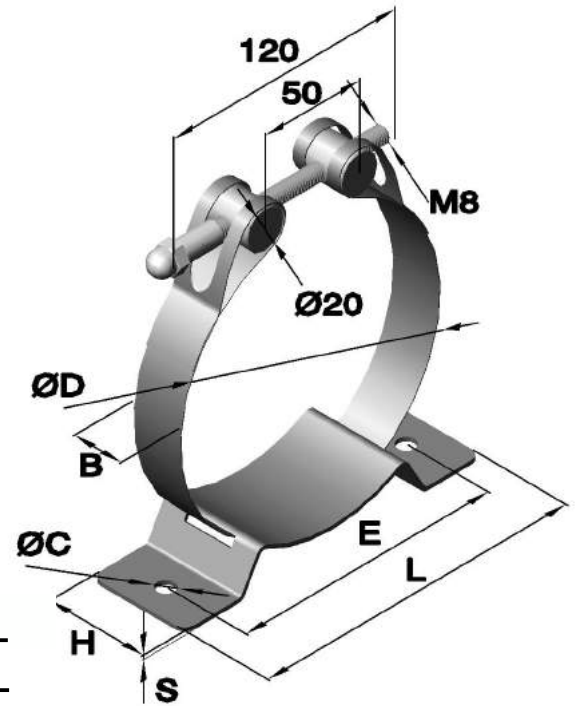
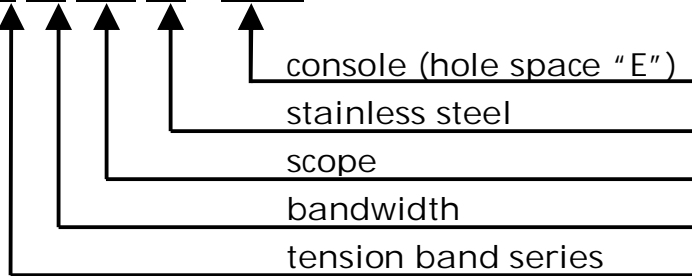
Hinge bolt tension band „Series 1901“ type1 with console

Combination-example:

- band 25x0,4mm
- bolt Ø20x25mm
- threaded rod M8x120mm

Order example:

Art.no 19 25 100.30 / K130



Article no.					Dimensions in mm					
Series	B Bandwidth	Ø D	Material		Ø C	E	H	L	S	Band
			Stainless steel	Console/ Type						
19	20.	from Ø100-untill ∞ (steplesly)	.30	/K130/1	9	130	50	160	2	20x0,4
19	25.	from Ø100-untill ∞ (steplesly)	.30	/K130/1	9	130	50	160	2	25x0,4
19	20.	from Ø150-untill ∞ (steplesly)	.30	/K170/1	9	170	50	200	2	20x0,4
19	25.	from Ø150-untill ∞ (steplesly)	.30	/K170/1	9	170	50	200	2	25x0,4
19	20.	from Ø200-untill ∞ (steplesly)	.30	/K220/1	9	220	50	250	2	20x0,4
19	25.	from Ø200-untill ∞ (steplesly)	.30	/K220/1	9	220	50	250	2	25x0,4

Standard dimensions in accordance with DN (Diameter Nominal)

Article no.				Dimensions in mm								
Series	B Bandwidth	DN	Material	Ø D	U	E Console	d	L	L1	M	Band	
			Raw									
			Stainless steel									
	1925.	DN 100.	30/01		Ø 114,3	359	130	20	120	50	M8	25x0,4
	1925.	DN 125.	30/01		Ø 139,7	439	130	20	120	50	M8	25x0,4
	1925.	DN 150.	30/01		Ø 168,3	529	170	20	120	50	M8	25x0,4
	1925.	DN 200.	30/01		Ø 219,1	688	170	20	120	50	M8	25x0,4
	1925.	DN 250.	30/01		Ø 273,0	858	220	20	120	50	M8	25x0,4
	1925.	DN 300.	30/01		Ø 323,9	1018	220	20	120	50	M8	25x0,4

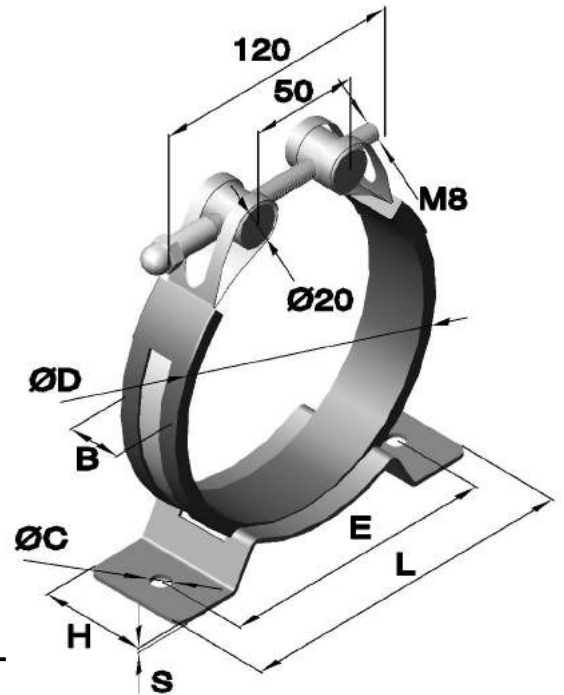
Further combinations are possible

Tension bands and hose clamps

Hinge bolt tension band „Series 1901“ type 2
with console and C-rubber profile

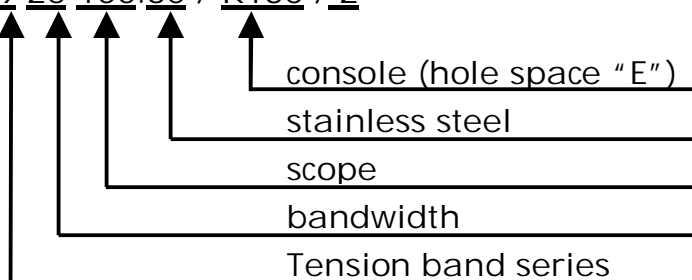
Combination-example:

- band 25x0,4mm
- bolt Ø20x25mm 1725.QB.30/M8
- threaded rod M8x120mm



Order example:

Art.no 19 25 100.30 / K130 / 2



Article no.					Dimensions in mm					
Series	B Bandwidth	Ø D	Material		Ø C	E	H	L	S	Band
			Stainless steel	Console/Type						
19	25.	from Ø100-untill ∞ (steplesly)	.30	/K130/2	9	130	50	160	2	25x0,4
19	25.	from Ø150-untill ∞ (steplesly)	.30	/K170/2	9	170	50	200	2	25x0,4
19	25.	from Ø200-untill ∞ (steplesly)	.30	/K220/2	9	220	50	250	2	25x0,4

Standard dimensions in accordance with DN (Diameter Nominal)

Article no.				Dimensions in mm							
Series	B Bandwidth	DN	Material	Ø D	U	E Console	d	L	L1	M	Band
			Raw								
			Stainless steel								
	1925.	DN 100.	30/02	Ø 114,3	359	130	20	120	50	M8	25x0,4
	1925.	DN 125.	30/02	Ø 139,7	439	130	20	120	50	M8	25x0,4
	1925.	DN 150.	30/02	Ø 168,3	529	170	20	120	50	M8	25x0,4
	1925.	DN 200.	30/02	Ø 219,1	688	170	20	120	50	M8	25x0,4
	1925.	DN 250.	30/02	Ø 273,0	858	220	20	120	50	M8	25x0,4
	1925.	DN 300.	30/02	Ø 323,9	1018	220	20	120	50	M8	25x0,4

Further combinations are possible

Tension bands and hose clamps

Tension band „Special construction “

Tension band „Series 1301 “



Tension bands and hose clamps

Tension band „Series 1201“ with spring with offset for spiral hose



Tension band „Series 1201“ without spring



Hose clamps „Series 1501“ with console and C-rubber profile e.g. for hose clamps according to customer requirements



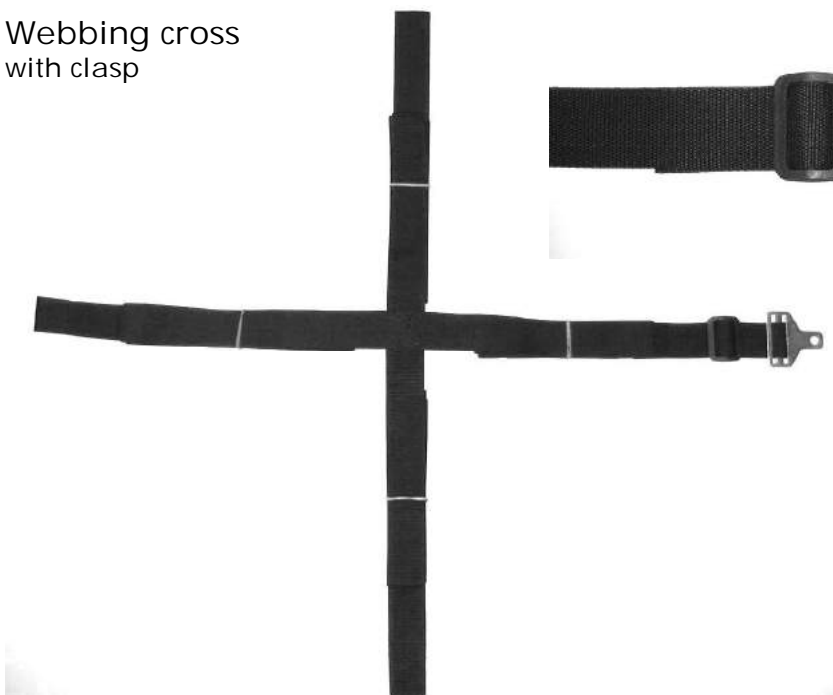
Tension bands and hose clamps

Further combinations are possible



Webbings

Webbing cross with clasp



Webbing with latch with R-Pin



Webbing with clasp



Further combinations are possible

„BAND-IT“ Tension bands and Cable ties



„BAND-IT“

Tension bands and Cable ties

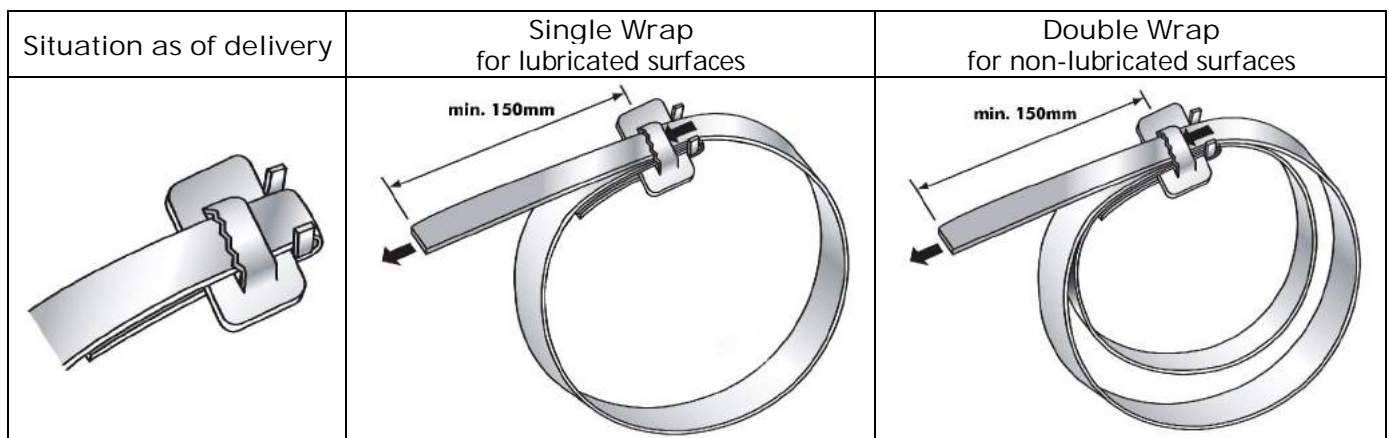
Tension band „Series 1101“
„BAND-FAST“ pre-cut and assembled
with „VALU-CLIP“

Material and surface finish:
Raw, stainless steel (V2A)






Article no.			Dimensions in mm					Package quantity
Series	Execution	Material	Width	Thickness	Length	Maximum Diameter		
		Stainless steel				Single Wrap	Double Wrap	
		V2A						
1101	.L 20499	.30	6.4	0.51	400	88	38	100/St.
1101	.L 20799	.30	6.4	0.51	480	127	63	100/St.
1101	.L 20899	.30	6.4	0.51	680	177	88	100/St.
1101	.L 21099	.30	6.4	0.51	860	228	114	100/St.
1101	.L 22199	.30	9.6	0.64	400	88	38	100/St.
1101	.L 22999	.30	9.6	0.64	1120	305	152	25/St.
1101	.L 24299	.30	12.7	0.76	450	102	50	100/St.
1101	.L 24699	.30	12.7	0.76	780	203	101	25/St.
1101	.L 26399	.30	15.9	0.76	530	127	63	100/St.
1101	.L 27199	.30	15.9	0.76	1420	406	203	25/St.
1101	.L 27399	.30	15.9	0.76	1930	508	175	25/St.
1101	.L 28499	.30	19.1	0.76	600	152	76	50/St.
1101	.L 28899	.30	19.1	0.76	930	254	127	25/St.
1101	.L 29099	.30	19.1	0.76	1270	355	177	25/St.
1101	.L 29299	.30	19.1	0.76	1570	457	228	25/St.

By greater dimensions we recommend our endless belt with loose catches.



Clamping tools for „Series 1101“		
Art. no.: C 00189	Art. no.: C 00369	Art. no.: C 07569 „Bantam“
		
Art. no.: C 40099 „ratchet“	Art. no.: C 08599 „Bantam-ratchet“	Art. no.: J 02069 max. width up to 9.6 mm
		

How to use it Art. no.: C 07569 „Bantam“		
		
1. Pull the band through the catch 2. Insert in the tool	3. Tense it with the ratchet	4. Nod it in the opposite direction 5. Cut off 6. Clamp

„BAND-IT“

Tension bands and Cable ties

Endless belt „Series 1101“

„VALUSTRAP“ for loose „VALU-CLIPS“

Material and surface finish:

Raw stainless steel (V2A)

Article no.		Dimensions in mm			Package quantity in m/roll
Series	Execution	Material	Width	Thickness	
		Raw V2A			
1101	.C 13199	.30	4.8	0.38	30.5 m
1101	.C 13399	.30	9.6	0.38	30.5 m
1101	.C 13499	.30	12.7	0.38	30.5 m
1101	.C 13599	.30	15.9	0.38	30.5 m
1101	.C 13699	.30	19.1	0.38	30.5 m
1101	.C 19199	.30	9.6	0.51	30.5 m
1101	.C 18189	.30	12.7	0.51	30.5 m
1101	.C 17199	.30	15.9	0.51	30.5 m
1101	.C 16189	.30	19.1	0.51	30.5 m
1101	.C 19399	.30	9.6	0.51	61 m
1101	.C 18389	.30	12.7	0.51	61 m
1101	.C 17399	.30	15.9	0.51	61 m
1101	.C 16389	.30	19.1	0.51	61 m
1101	.C 14499	.30	12.7	0.64	30.5 m
1101	.C 14599	.30	15.9	0.64	30.5 m
1101	.C 14699	.30	19.1	0.64	30.5 m
1101	.C 14899	.30	12.7	0.64	61 m
1101	.C 14999	.30	15.9	0.64	61 m
1101	.C 15099	.30	19.1	0.64	61 m
1101	.C 92399	.30	9.6	0.63	30.5 m
1101	.C 92499	.30	12.7	0.76	30.5 m
1101	.C 92599	.30	15.9	0.76	30.5 m
1101	.C 92699	.30	19.1	0.76	30.5 m



Loose Lock-Clips „Series 1101“

„VALU-CLIPS“ for endless belts

Material and surface finish:

Raw stainless steel (1.4301)

Article no.			Dimensions in mm		Package quantity
Series	Execution	Material	Width	Thickness	
		Raw V2A			
1101	.C 15199	.30	4.8	0.8	100/St.
1101	.C 15399	.30	9.6	0.8	100/St.
1101	.C 15499	.30	12.7	0.8	100/St.
1101	.C 15599	.30	15.9	0.8	100/St.
1101	.C 15699	.30	19.1	0.8	100/St.
1101	.C 25299	.30	6.4	1.0	100/St.
1101	.L 15399	.30	9.6	1.0	100/St.



„BAND-IT“

Spannbänder und Kabelbinder

1101	.L 15499	.30	12.7	1.0	100/St.
1101	.L 15599	.30	15.9	1.0	100/St.
1101	.L 15699	.30	19.1	1.0	100/St.

Endless belt „Series 1101“
„VALUSTRAP“ for loose „VALU-CLIPS“

Material and surface finish:
Raw stainless steel (V4A)



Article no.		Dimensions in mm			Package quantity in m/roll
Series	Execution	Material Raw V4A	Width	Thickness	
1101	.C 40299	.35	6,4	0,51	30,5m
1101	.C 40399	.35	9,6	0,64	30,5m
1101	.C 403 Y 9	.35	9,6	0,64	30,5m with yellow bracket
1101	.C 40499	.35	12,7	0,76	30,5m
1101	.C 404 B 9	.35	12,7	0,76	30,5m with blue bracket
1101	.C 40599	.35	15,9	0,76	30,5m
1101	.C 405 G 9	.35	15,9	0,76	30,5m with green bracket
1101	.C 40699	.35	19,1	0,76	30,5m
1101	.C 406 R 9	.35	19,1	0,76	30,5m with red bracket
1101	.C 44499	.35	12,7	0,38	61m
1101	.C 444 B 9	.35	12,7	0,38	61m with blue bracket
1101	.C 44599	.35	15,9	0,38	61m
1101	.C 445 G 9	.35	15,9	0,38	61m with green bracket
1101	.C 44699	.35	19,1	0,38	61m
1101	.C 446 R 9	.35	19,1	0,38	61m with red bracket



Loose Lock-Clips „Series 1101“
„VALU-CLIPS“ for endless belts

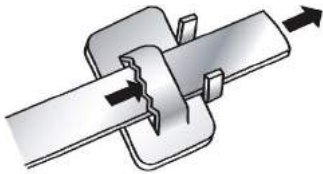
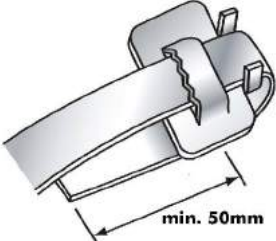
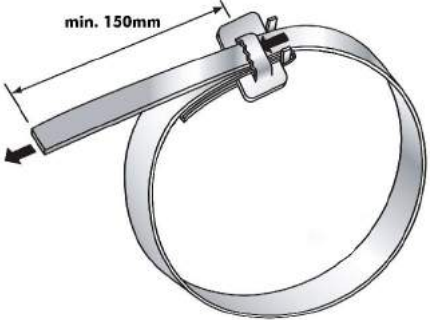
Material and surface finish:
Raw stainless steel (V4A)

Article no.		Dimensions in mm			Package quantity
Series	Execution	Material raw V4A	Width	Thickness	
1101	.AE4529	.35	6,4	1,0	100/St.
1101	.AE4539	.35	9,6	1,0	100/St.
1101	.AE4549	.35	12,7	1,0	100/St.
1101	.AE4559	.35	15,9	1,0	100/St.
1101	.AE4569	.35	19,1	1,0	100/St.



„BAND-IT“

Tension bands and Cable ties

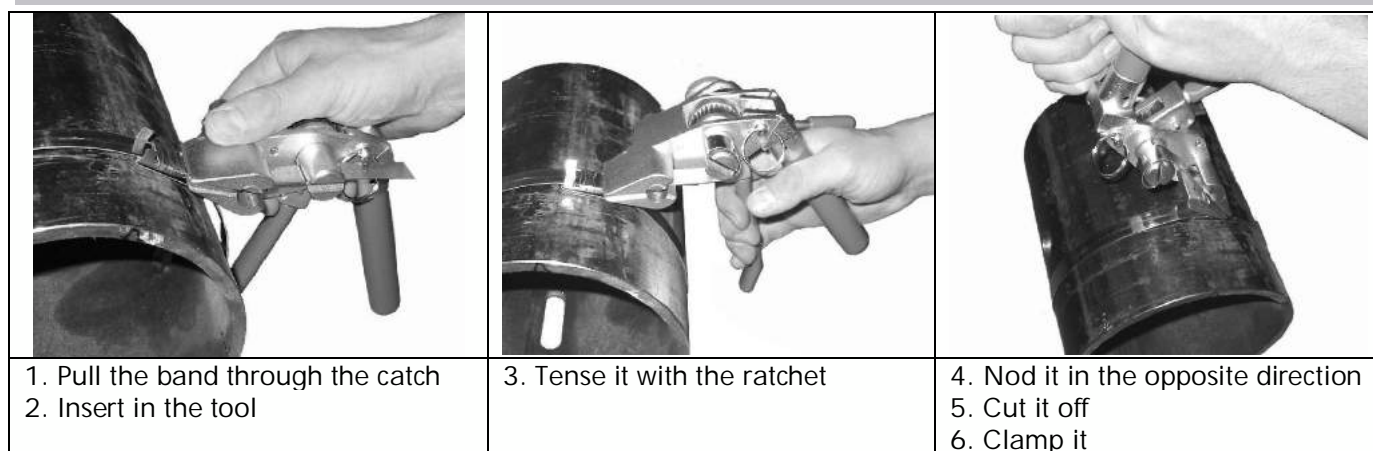
Push the band through the catch	Bend it down	Push the band through the catch Single wrap
		

Clamping tools for „Series 1101“		
Art. no.: C 00189	Art. no.: C 00369	Art. no.: C 07569 „Bantam“
		
Art. no.: C 40099 „Ratchet“	Art. no.: C 08599 „Bantam-Ratchet“	Art. no.: J 02069 max. width bis 9.6 mm
		

How to use it
Art. no.: C 07569 „Bantam“

„BAND-IT“

Spannbänder und Kabelbinder



1. Pull the band through the catch
2. Insert in the tool

3. Tense it with the ratchet

4. Nod it in the opposite direction
5. Cut it off
6. Clamp it

Tension band „Series 1102“
„BAND-FAST“ pre-cut with
assembled „EAR-LOK loop“

Material and surface finish:
Raw stainless steel (V2A)

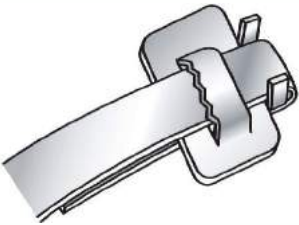

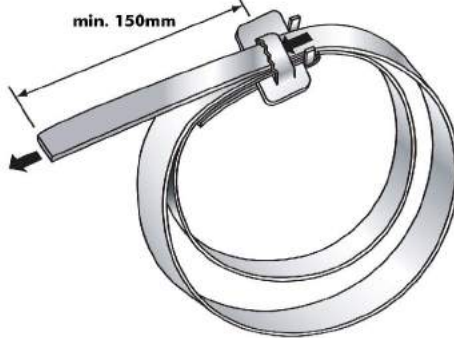


Article no.			Dimensions in mm					Package quantity
Series	Execution	Material	Width	Thickness	Length	Maximum Diameter		
		Raw V2A				Single Wrap	Double Wrap	
1102	.A 0830-020	.30	12.7	0.76	510	102	51	25/St
1102	.A 0830-024	.30	12.7	0.76	610	127	64	25/St
1102	.A 0830-027	.30	12.7	0.76	690	152	76	25/St
1102	.A 0830-034	.30	12.7	0.76	860	203	102	25/St
1102	.A 0830-041	.30	12.7	0.76	1040	254	127	25/St
1102	.A 0830-048	.30	12.7	0.76	1220	305	152	25/St
1102	.A 0830-055	.30	12.7	0.76	1400	356	178	25/St
1102	.A 0830-069	.30	12.7	0.76	1750	457	229	25/St
1102	.A 0830-076	.30	12.7	0.76	1930	508	254	15/St
1102	.A 0830-090	.30	12.7	0.76	2290	610	305	15/St
1102	.A 1230-020	.30	19.1	0.76	510	102	51	25/St
1102	.A 1230-024	.30	19.1	0.76	610	127	64	25/St
1102	.A 1230-027	.30	19.1	0.76	690	152	76	25/St
1102	.A 1230-034	.30	19.1	0.76	860	203	102	25/St
1102	.A 1230-041	.30	19.1	0.76	1040	254	127	25/St
1102	.A 1230-048	.30	19.1	0.76	1220	305	152	25/St
1102	.A 1230-055	.30	19.1	0.76	1400	356	178	25/St
1102	.A 1230-069	.30	19.1	0.76	1750	457	229	25/St
1102	.A 1230-076	.30	19.1	0.76	1930	508	254	15/St
1102	.A 1230-090	.30	19.1	0.76	2290	610	305	15/St

By greater dimensions we recommend our endless belts with loose catches.

„BAND-IT“

Tension bands and Cable ties

Situation as of delivery	Single Wrap for lubricated surfaces	Double Wrap for non-lubricated surfaces
	 <p>min. 150mm</p>	 <p>min. 150mm</p>

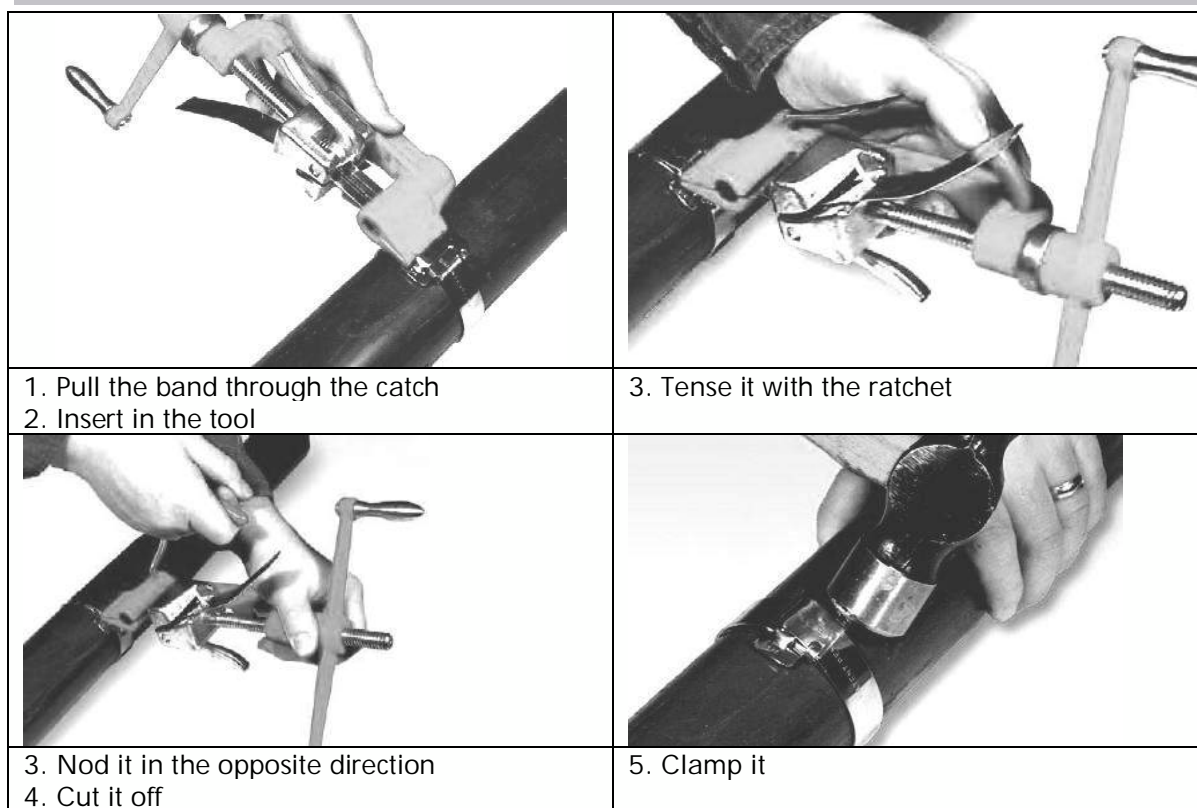
Clamping tools for „Series 1102“

Art. no.: C 00189	Art. no.: C 00369
	
Art. no.: C 40099	Art. no.: C 08599 „Bantam-Ratchet“
	

How to use it
Art. no.: C 00189

„BAND-IT“

Spannbänder und Kabelbinder



Endless belt „Series 1102“ „BAND-IT Band“ for loose „EAR-LOK loop“

Material and surface finish:
Raw stainless steel (V2A)



Article no.		Dimensions in mm			Package quantity in m/roll
Series	Execution	Material	Width	Thickness	
		Raw V2A			
1102	.C 20229	.30	6.4	0.51	30.5 m
1102	.C 20399	.30	9.6	0.64	30.5 m
1102	.C 203Y9	.30	9.6	0.64	30.5 m with yellow bracket
1102	.C 20499	.30	12.7	0.76	30.5 m
1102	.C 204B9	.30	12.7	0.76	30.5 m with blue bracket
1102	.C 20599	.30	15.9	0.76	30.5 m
1102	.C 205G9	.30	15.9	0.76	30.5 m with green bracket
1102	.C 20699	.30	19.1	0.76	30.5 m
1102	.C 206R9	.30	19.1	0.76	30.5 m with red bracket
1102	.G 43099	.30	19.1	1.1	30.5 m
1102	.G 43199	.30	25.4	1.1	30.5 m
1102	.G 43299	.30	31.8	1.1	30.5 m



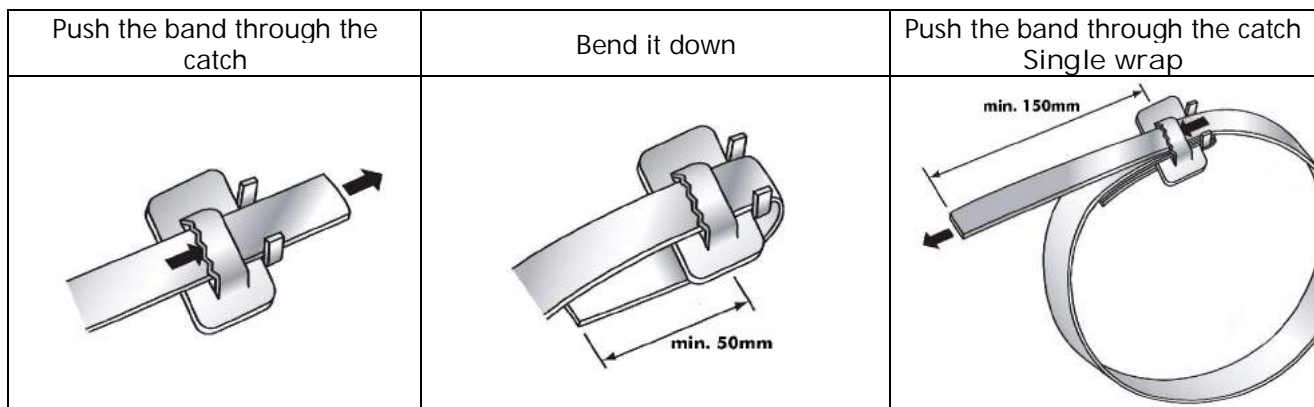
Loose catching-loop „Series 1102“ „EAR-LOK loop“ for endless belts

„BAND-IT“

Tension bands and Cable ties

Material and surface finish:
Raw stainless steel (V2A)

Article no.			Dimensions in mm		Package quantity
Series	Execution	Material	Width	Thickness	
		Raw V2A			
1102	.C 25299	.30	6.4	1.3	100/St.
1102	.C 25399	.30	9.6	1.3	100/St.
1102	.C 25499	.30	12.7	1.3	100/St.
1102	.C 25599	.30	15.9	1.3	100/St.
1102	.C 25699	.30	19.1	1.3	100/St.
1102	.G 44099	.30	19.1	2.3	25/St.
1102	.G 44199	.30	25.4	2.3	25/St.
1102	.G 44299	.30	31.8	2.3	25/St.



Endless belt „Series 1102“
„BAND-IT Band“ for loose „EAR-LOK loop“

Material and surface finish:
Raw stainless steel (V4A)

Article no.			Dimensions in mm		Package quantity in m/roll
Series	Execution	Material	Width	Thickness	
		Raw V4A			
1102	.C 40299	.35	6,4	0,51	30,5m
1102	.C 40399	.35	9,6	0,64	30,5m
1102	.C 403 Y 9	.35	9,6	0,64	30,5m with yellow bracket
1102	.C 40499	.35	12,7	0,76	30,5m
1102	.C 404 B 9	.35	12,7	0,76	30,5m with blue bracket
1102	.C 40599	.35	15,9	0,76	30,5m
1102	.C 405 G 9	.35	15,9	0,76	30,5m with green bracket
1102	.C 40699	.35	19,1	0,76	30,5m
1102	.C 406 R 9	.35	19,1	0,76	30,5m with red bracket
1102	.C 44499	.35	12,7	0,38	61m
1102	.C 444 B 9	.35	12,7	0,38	61m with blue bracket
1102	.C 44599	.35	15,9	0,38	61m
1102	.C 445 G 9	.35	15,9	0,38	61m with green bracket
1102	.C 44699	.35	19,1	0,38	61m
1102	.C 446 R 9	.35	19,1	0,38	61m with red bracket



„BAND-IT“

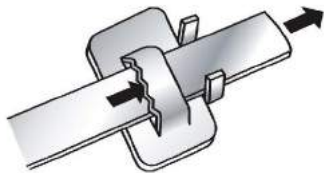
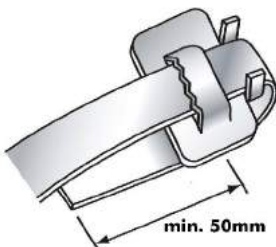
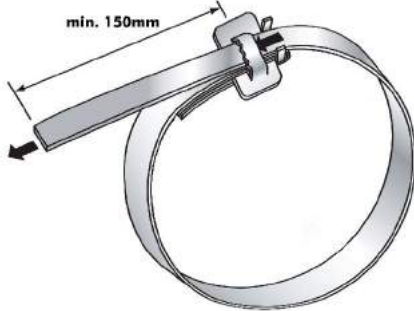
Spannbänder und Kabelbinder

Loose catching-loop „Series 1102“
„EAR-LOK loop“ for endless belts

Material and surface finish:
Raw stainless steel (V4A)

Article no..			Dimensions in mm		Package quantity
Series	Execution	Material	Width	Thickness	
		Raw V4A			
1102	.C 45299	.35	6,4	1,3	100/St.
1102	.C 45399	.35	9,6	1,3	100/St.
1102	.C 45499	.35	12,7	1,3	100/St.
1102	.C 45599	.35	15,9	1,3	100/St.
1102	.C 55699	.35	19,1	1,3	100/St.



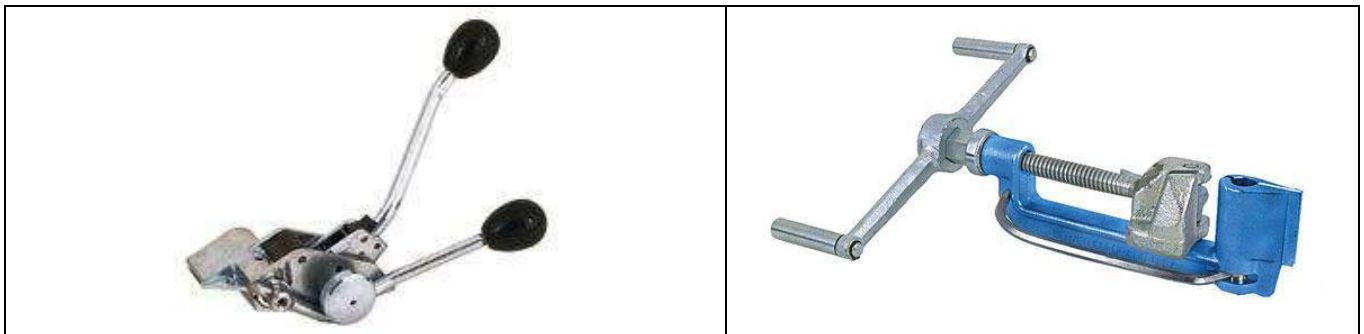
Push the band through the catch	Bend it down	Push the band through the catch Single wrap
		

Clamping tools for „Series 1102“

Art. no.: C 00189 up to 19.1 mm width	Art. no.: C 00369 up to 19.1 mm width	Art. no.: C 40099 up to 19.1 mm width
		
Art. no.: C08599 „Bantam-Ratchet“ up to 19.1 mm width	Art. no.: G40299 from 19.1mm width	

„BAND-IT“

Tension bands and Cable ties

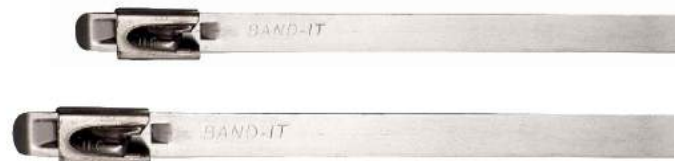


How to use it
Art. no.: C 00189

1. Pull the band through the catch	2. Nod it ca. 50 mm down	3. Insert it in the tool, turn it with a pivot lever
4. Nod it in the opposite direction and cut it	5. Hold it	6. Jam it

Self-closing band „Series 1103“
„BALL-LOK“ stainless steel cable ties
cut according to length

Material and surface finish:
Raw stainless steel (V2A)
Raw Stainless steel (V4A)



Article no.			Dimensions in mm				Package quantity
Series	Execution	Material Raw	Width	Thickness	Length	Max. diameter	

„BAND-IT“

Spannbänder und Kabelbinder

		V2A	V4A					
1103	.KE 1128	.30	-	4.6	0.25	201	50	100/St.
1103	.KE 1138	.30	-	4.6	0.25	259	69	100/St.
1103	.KE 1148	.30	-	4.6	0.25	360	102	100/St.
1103	.KE 1158	.30	-	4.6	0.25	520	152	100/St.
1103	.KE 1168	.30	-	4.6	0.25	679	203	100/St.
1103	.KE 1178	.30	-	4.6	0.25	838	254	100/St.
1103	.KE 1188	.30	-	4.6	0.25	1067	305	100/St.
1103	.KE 0128	-	.35	4.6	0.25	201	50	100/St.
1103	.KE 0138	-	.35	4.6	0.25	259	69	100/St.
1103	.KE 0148	-	.35	4.6	0.25	360	102	100/St.
1103	.KE 0158	-	.35	4.6	0.25	520	152	100/St.
1103	.KE 0168	-	.35	4.6	0.25	679	203	100/St.
1103	.KE 0178	-	.35	4.6	0.25	838	254	100/St.
1103	.KE 0188	-	.35	4.6	0.25	1067	305	100/St.
1103	.KE 1328	.30	-	7.9	0.25	201	50	100/St.
1103	.KE 1338	.30	-	7.9	0.25	259	69	100/St.
1103	.KE 1348	.30	-	7.9	0.25	360	102	100/St.
1103	.KE 1358	.30	-	7.9	0.25	520	152	100/St.
1103	.KE 1368	.30	-	7.9	0.25	679	203	100/St.
1103	.KE 1378	.30	-	7.9	0.25	838	254	100/St.
1103	.KE 1388	.30	-	7.9	0.25	1067	305	100/St.
1103	.KE 0328	-	.35	7.9	0.25	201	50	100/St.
1103	.KE 0338	-	.35	7.9	0.25	259	69	100/St.
1103	.KE 0348	-	.35	7.9	0.25	360	102	100/St.
1103	.KE 0358	-	.35	7.9	0.25	520	152	100/St.
1103	.KE 0368	-	.35	7.9	0.25	679	203	100/St.
1103	.KE 0378	-	.35	7.9	0.25	838	254	100/St.
1103	.KE 0388	-	.35	7.9	0.25	1067	305	100/St.

By greater dimensions we recommend our endless belts with loose catches.

Tension band „Series 1103“ may be used without a tool.

Self closing band „Series 1103“
„BALL-LOK“ stainless steel cable ties
cut according to length, coated

Material and surface finish:
Plastic coated stainless steel (V2A)



Article no.		Dimensions in mm					Package quantity
Series	Execution	Material Coating	Width	Thickness	Length	Max. diameter	

„BAND-IT“

Tension bands and Cable ties

		V2A					
1103	.KE 0228	.37	4.6	0.25	201	50	100/St.
1103	.KE 0238	.37	4.6	0.25	259	69	100/St.
1103	.KE 0248	.37	4.6	0.25	360	102	100/St.
1103	.KE 0258	.37	4.6	0.25	520	152	100/St.
1103	.KE 0268	.37	4.6	0.25	679	203	100/St.
1103	.KE 0278	.37	4.6	0.25	838	254	100/St.
1103	.KE 0428	.37	7.9	0.25	201	50	100/St.
1103	.KE 0438	.37	7.9	0.25	259	69	100/St.
1103	.KE 0448	.37	7.9	0.25	360	102	100/St.
1103	.KE 0458	.37	7.9	0.25	520	152	100/St.
1103	.KE 0468	.37	7.9	0.25	679	203	100/St.
1103	.KE 0478	.37	7.9	0.25	838	254	100/St.

By greater dimensions we recommend our endless belts with loose catches.

Tension band „Series 1103“ may be used without a tool.

Clamping tools for „Series 1103“

Art. no.: K 50289 Adjustable tensile strength, tenses and cuts automatically	Art. no.: KE 9229 Tension tool with pivot lever	Art. no.: AE 2009

Endless belt „Series 1103“
for loose „BALL-LOK“ catches

Material and surface finish:
Raw stainless steel (V2A)
Raw Stainless steel (V4A)



Article no.		Dimensions in mm		Package quantity in m/roll
Series	Execution	Width	Thickness	
	Material Raw			

„BAND-IT“

Spannbänder und Kabelbinder

		V2A	V4A			
1103	.CE 3569	.30	-	4.6	0.25	100m
1103	.CE 2569	-	.35	4.6	0.25	100m
1103	.CE 1569	.30	-	7.9	0.25	100m
1103	.CE 4569	-	.35	7.9	0.25	100m

Loose catch „Series 1103“
„BALL-LOK“ catch for endless belts

Material and surface finish:
Raw stainless steel (V2A)
Raw Stainless steel (V4A)



Article no.			Dimensions in mm	Package quantity
Series	Execution	Material		
		Raw	Width	
		V4A		
1103	.CB 2569	.35	4.6	100/St.
1103	.CB 1569	.35	7.9	100/St.

Tension band „Series 1103“ may be used without a tool.

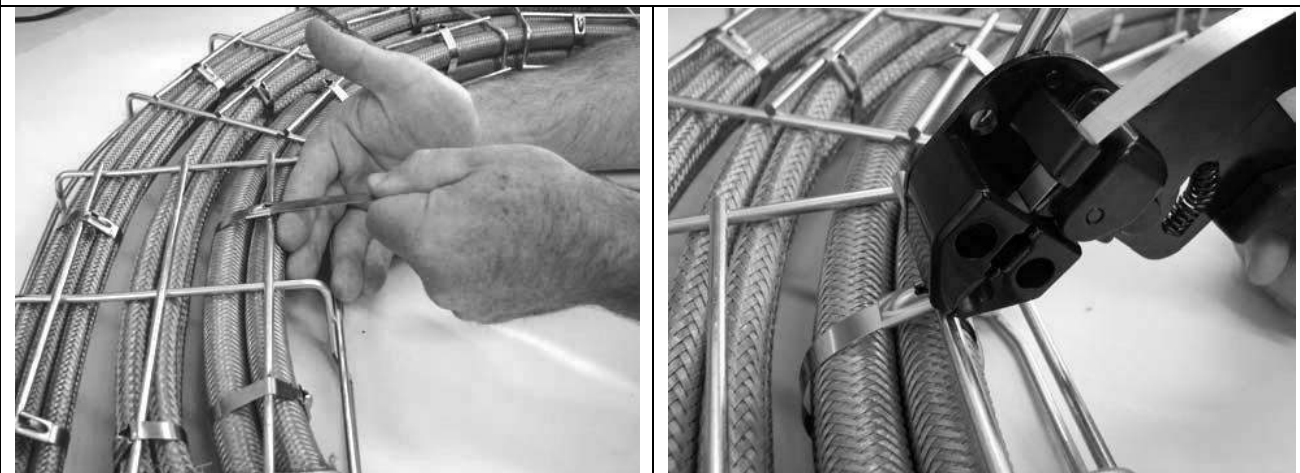
Clamping tools for „Series 1103“		
Art. no.: C 00189 Adjustable tensile strength, tenses and cuts automatically	Art. no.: KE 9229 Tension tool with pivot lever	Art. no.: AE 2009

„BAND-IT“

Tension bands and Cable ties

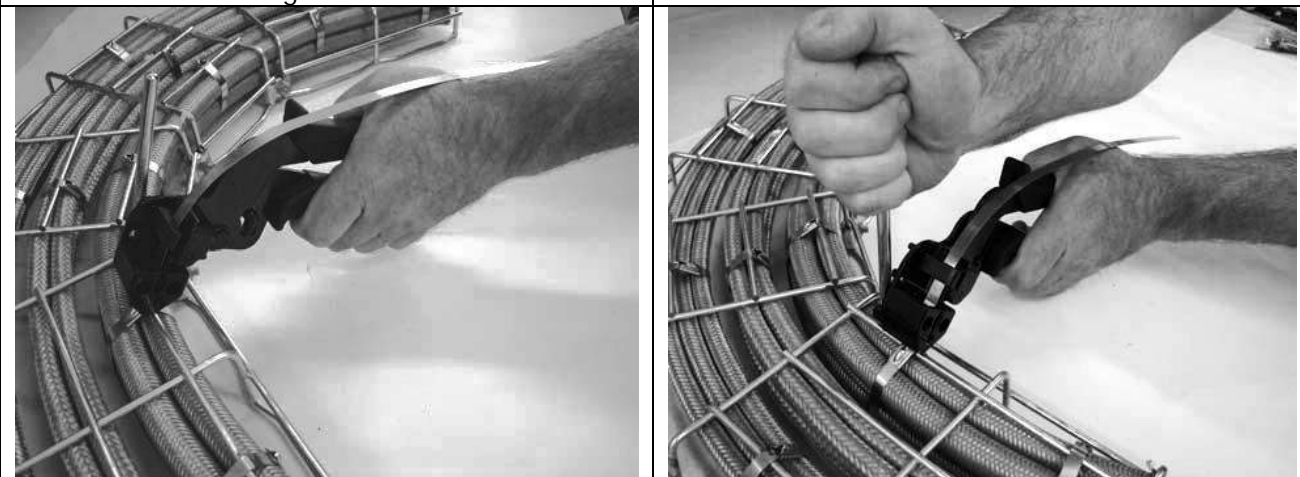


How to use it with trimming lever
Art. no.: KE 9229



1. Pull the band through the catch

2. Insert in tool



3. Clamp it

4. Cut it

Tension band „Series 1104“
„TIE-LOK“ stainless steel cable ties

Material and surface finish:



„BAND-IT“

Spannbänder und Kabelbinder

Raw stainless steel (V2A)
Raw Stainless steel (V4A)

Article no.				Dimensions in mm				Package quantity
Series	Execution	Material		Width	Thickness	Length	Max. diameter	
		Raw						
		V2A	V4A					
1104	.AS 2219	.30	-	4.5	0.38			100/St.
1104	.AS 2229	.30	-	4.5	0.38			100/St.
1104	.AS 2239	.30	-	4.5	0.38			100/St.
1104	.AS 2249	.30	-	4.5	0.38			100/St.
1104	.AS 2259	.30	-	4.5	0.38			100/St.
1104	.AS 4219	-	35	4.5	0.38			100/St.
1104	.AS 4229	-	35	4.5	0.38			100/St.
1104	.AS 4239	-	35	4.5	0.38			100/St.
1104	.AS 4249	-	35	4.5	0.38			100/St.
1104	.AS 4259	-	35	4.5	0.38			100/St.
1104	.AS 2119	.30	-	6.4	0.38			100/St.
1104	.AS 2129	.30	-	6.4	0.38			100/St.
1104	.AS 2139	.30	-	6.4	0.38			100/St.
1104	.AS 2149	.30	-	6.4	0.38			100/St.
1104	.AS 2159	.30	-	6.4	0.38			100/St.
1104	.AS 4119	-	35	6.4	0.38			100/St.
1104	.AS 4129	-	35	6.4	0.38			100/St.
1104	.AS 4139	-	35	6.4	0.38			100/St.
1104	.AS 4149	-	35	6.4	0.38			100/St.
1104	.AS 4159	-	35	6.4	0.38			100/St.
1104	.AS 6219	.30	-	9.6	0.51			100/St.
1104	.AS 6229	.30	-	9.6	0.51			100/St.
1104	.AS 6239	.30	-	9.6	0.51			100/St.
1104	.AS 6249	.30	-	9.6	0.51			100/St.
1104	.AS 6259	.30	-	9.6	0.51			100/St.


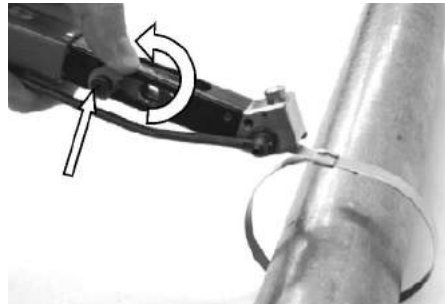
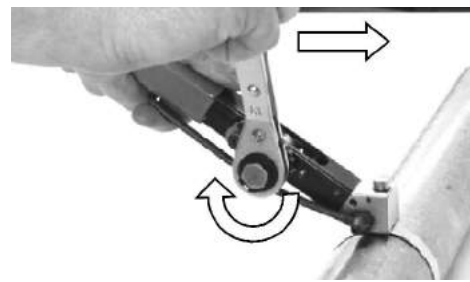

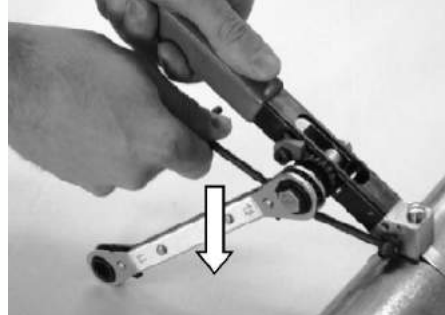

Clamping tools for „Series 1104“

Art. no.: TL 3800 for 9.6 mm width	Art. no.: A 92079 for 6.4 mm width Adjustable tensile strength,	Art. no.: A 91079 Mini for 4.5 mm width Adjustable tensile strength,
---------------------------------------	---	--

„BAND-IT“

Tension bands and Cable ties

	tenses and cuts automatically	tenses and cuts automatically
		

<p>How to use it Art. no.: TL3800</p>		
		
1. Pull the band at least 75 mm through the catch	2. Insert in the tool	3. Clamp it with a pivot lever
		
4. Jam the band with a hammer	5. Cut it	6. Take the rest off

Endless belt „Series 1105“
„BAND-IT Band“ for loose „SCRU-LOKT loop“



„BAND-IT“

Spannbänder und Kabelbinder

Material and surface finish:
Raw Stainless steel (V4A)

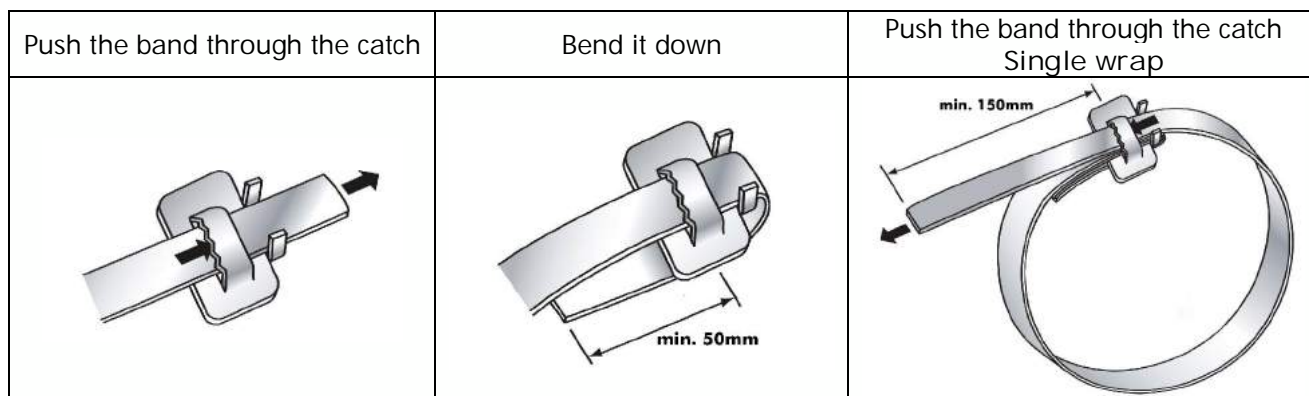
Article no.			Dimensions in mm		Package quantity in m/roll
Series	Execution	Material	Width	Thickness	
		Raw V4A			
1105	.C 40299	.35	6.4	0.51	30.5 m
1105	.C 40399	.35	9.6	0.64	30.5 m
1105	.C 403 Y 9	.35	9.6	0.64	30.5 m with yellow bracket
1105	.C 40499	.35	12.7	0.76	30.5 m
1105	.C 404 B 9	.35	12.7	0.76	30.5 m with blue bracket
1105	.C 40599	.35	15.9	0.76	30.5 m
1105	.C 405 G 9	.35	15.9	0.76	30.5 m with green bracket
1105	.C 40699	.35	19.1	0.76	30.5 m
1105	.C 406 R 9	.35	19.1	0.76	30.5 m with red bracket
1105	.C 44499	.35	12.7	0.38	61 m
1105	.C 444 B 9	.35	12.7	0.38	61 m with blue bracket
1105	.C 44599	.35	15.9	0.38	61 m
1105	.C 445 G 9	.35	15.9	0.38	61 m with green bracket
1105	.C 44699	.35	19.1	0.38	61 m
1105	.C 446 R 9	.35	19.1	0.38	61 m with red bracket



Loose catches „Series 1105“
„SCRU-LOKT loop“ for endless belts

Material and surface finish:
Raw stainless steel (V2A)

Article no.			Dimensions in mm	Package quantity
Series	Execution	Material	Width	
		Raw V2A		
1105	.C 72099	.30	6.4	50/St.
1105	.C 72299	.30	9.6	50/St.
1105	.C 72499	.30	12.7	25/St.
1105	.C 72599	.30	15.9	25/St.
1105	.C 72699	.30	19.1	25/St.

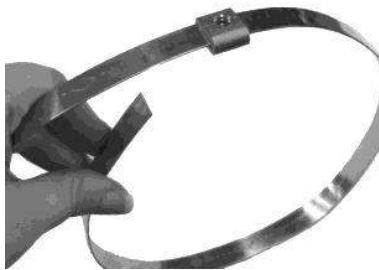






Clamping tools for „Series 1105“

„BAND-IT“

Tension bands and Cable ties

<p>Art. no.: C 00189</p> 	<p>Art. no.: C 00369</p> 
<p>Art. no.: C 40099</p> 	<p>Art. no.: C 08599 „Bantam-Ratchet“</p> 

<p>How to use it Art. no.: C 00189</p>		
		
<p>1. Pull the band through the catch</p>	<p>2. Nod it ca.50mm down</p>	<p>3. Insert it in the tool, turn it with a pivot lever</p>
		
<p>4. Cut it off</p>	<p>5. Clamp it</p>	

„BAND-IT“

Spannbänder und Kabelbinder

Self-closing band „Series 1106“
„MULTI-LOK“ stainless steel cable ties

Material and surface finish:
Raw Stainless steel (V4A)
Coated stainless steel (V4A)



Article no.				Dimensions in mm				Package quantity
Series	Execution	Material		Width	Thickness	Length	Max. diameter	
		Raw	Coating					
		V4A	V4A					
1106	.AE 6019	.35	-	6.9	0.28	150	33	100/St.
1106	.AE 6029	.35	-	6.9	0.28	225	57	100/St.
1106	.AE 6039	.35	-	6.9	0.28	300	81	100/St.
1106	.AE 6049	.35	-	6.9	0.28	450	129	100/St.
1106	.AE 6059	.35	-	6.9	0.28	610	180	100/St.
1106	.AE 7019	.35	-	11.9	0.46	150	33	100/St.
1106	.AE 7029	.35	-	11.9	0.46	225	57	100/St.
1106	.AE 7039	.35	-	11.9	0.46	300	81	100/St.
1106	.AE 7049	.35	-	11.9	0.46	450	129	100/St.
1106	.AE 7059	.35	-	11.9	0.46	610	180	100/St.
1106	.AE 6119	-	.37	6.9	0.28	150	33	100/St.
1106	.AE 6129	-	.37	6.9	0.28	225	57	100/St.
1106	.AE 6139	-	.37	6.9	0.28	300	81	100/St.
1106	.AE 6149	-	.37	6.9	0.28	450	129	100/St.
1106	.AE 6159	-	.37	6.9	0.28	610	180	100/St.
1106	.AE 7119	-	.37	11.9	0.46	150	33	100/St.
1106	.AE 7129	-	.37	11.9	0.46	225	57	100/St.
1106	.AE 7139	-	.37	11.9	0.46	300	81	100/St.
1106	.AE 7149	-	.37	11.9	0.46	450	129	100/St.
1106	.AE 7159	-	.37	11.9	0.46	610	180	100/St.

Tension band „Series 1106“ may be used without a tool.

Clamping tools for „Series 1106“		
Art. no.: M 50389 Adjustable tensile strength, tenses and cuts automatically	Art. no.: AE 2009	Art. no.: AE 2018

Hose clips and Pipe clips



Hose clips and Pipe clips

Materials and surface finishes:

W1 Zinc plated - completely made of coated steel, small requirement from the corrosion resistance.

W2 Stainless steel - band and housing (chrome-steel 1.4016), GALVANIZED screw. From small up to middle requirement from the corrosion resistance, but with warranty of solvability of corrosive connections.

W4 Stainless steel – complete chrome-nickel-steel 1.4301 (or similar steel). Also known as V2A. Great requirements from the corrosion resistance and design.

W5 completely made of chrome-nickel-molybdenum-steel 1.4571 (1.4401). Also known as V4A. W5 is seawater-resistant and heavily magnetizable. Great requirements from the corrosion resistance.

Art. no.	Designation	Function	Package content
7200000002	mounting plier	for front and side assembly of ear clamps	1



Art. no.	Designation	Function	Package content
1200070000	flexible screw driver SW 7	fixing of worm-drive clamps	1



Assortment boxes

Worm-drive clamps TI 9/TI 12

1-ear clamp or 2-ear clamp

Available on enquiry.

Hose clips and pipe clips

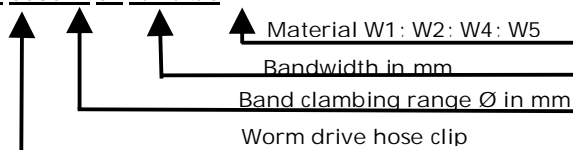
Worm-drive clamps „TI 9“
with embossed band

Art. no.	Material				Ø in mm	Width in mm	Package content
	W1	W2	W4	W5			
100801209/	1	2	3	4	8-12	9	50
101001609/	1	2	4	5	10-16	9	50
101202009/	1	2	4	5	12-20	9	50
101202209/	1	2	4	5	12-22	9	50
101602709/	1	2	4	5	16-27	9	50
102003209/	1	2	4	5	20-32	9	50
102303509/	1	2	4	5	23-35	9	50
102504009/	1	2	4	5	25-40	9	50
103004509/	1	2	4	5	30-45	9	25
103205009/	1	2	4	5	32-50	9	25
104006009/	1	2	4	5	40-60	9	25
105007009/	1	2	4	5	50-70	9	25
106008009/	1	2	4	5	60-80	9	25
107009009/	1	2	4	5	70-90	9	25
108010009/	1	2	4	5	80-100	9	25
109011009/	1	2	4	5	90-110	9	25
110012009/	1	2	4	5	100-120	9	25
111013009/	1	2	4	5	110-130	9	25
112014009/	1	2	4	5	120-140	9	25
113015009/	1	2	4	5	130-150	9	25
114016009/	1	2	4	5	140-160	9	25
115017009/	1	2	4	5	150-170	9	25
116018009/	1	2	4	5	160-180	9	25
117019009/	1	2	4	5	170-190	9	25
118020009/	1	2	4	5	180-200	9	25
119021009/	1	2	4	5	190-210	9	25
120022009/	1	2	4	5	200-220	9	25
121023009/	1	2	4	5	210-230	9	25
122024009/	1	2	4	5	220-240	9	25
123025009/	1	2	4	5	230-250	9	25
124026009/	1	2	4	5	240-260	9	25
125027009/	1	2	4	5	250-270	9	25
126028009/	1	2	4	5	260-280	9	25
127029009/	1	2	4	5	270-290	9	25
128030009/	1	2	4	5	280-300	9	25
129031009/	1	2	4	5	290-310	9	25
130032009/	1	2	4	5	300-320	9	25



Order example:

Art.no. 1 008012 09 1/2"/4/5



By greater dimensions, we recommend our endless band (EB) with loose headers or our fastening clamp with folding housing (VF).

hose clips and pipe clips

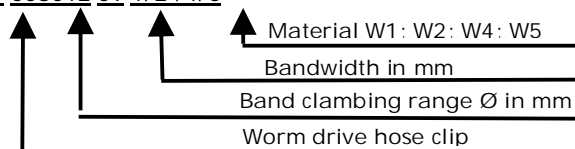
Worm-drive clamps „TI 12“
with embossed band

Art. no.	Material				Ø in mm	Width in mm	Package content
	W1	W2	W4	W5			
101602712/	1	2	4	5	16-27	12	50
102003212/	1	2	4	5	20-32	12	50
102303512/	1	2	4	5	23-35	12	50
102504012/	1	2	4	5	25-40	12	50
103004512/	1	2	4	5	30-45	12	50
103205012/	1	2	4	5	32-50	12	50
104006012/	1	2	4	5	40-60	12	25
105007012/	1	2	4	5	50-70	12	25
106008012/	1	2	4	5	60-80	12	25
107009012/	1	2	4	5	70-90	12	25
108010012/	1	2	4	5	80-100	12	25
109011012/	1	2	4	5	90-110	12	25
110012012/	1	2	4	5	100-120	12	25
111013012/	1	2	4	5	110-130	12	15
112014012/	1	2	4	5	120-140	12	15
113015012/	1	2	4	5	130-150	12	15
114016012/	1	2	4	5	140-160	12	15
115017012/	1	2	4	5	150-170	12	15
116018012/	1	2	4	5	160-180	12	15
117019012/	1	2	4	5	170-190	12	15
118020012/	1	2	4	5	180-200	12	15
119021012/	1	2	4	5	190-210	12	15
120022012/	1	2	4	5	200-220	12	15
121023012/	1	2	4	5	210-230	12	15
122024012/	1	2	4	5	220-240	12	15
123025012/	1	2	4	5	230-250	12	15
124026012/	1	2	4	5	240-260	12	15
125027012/	1	2	4	5	250-270	12	15
126028012/	1	2	4	5	260-280	12	15
127029012/	1	2	4	5	270-290	12	15
128030012/	1	2	4	5	280-300	12	15
129031012/	1	2	4	5	290-310	12	15
130032012/	1	2	4	5	300-320	12	15



Order example:

Art. no. 1 008012 09 1/2"/4/5



By greater dimensions, we recommend our endless band (EB) with loose headers or our fastening clamp with folding housing (VF).

Hose clips and pipe clips

Worm-drive clamps „TI 8“
with punched-through band

Art. no.	Material				Ø in mm	Width in mm	Package content
	W1	W2	W4	W5			
100601608/	-	2	4	-	6-16	8	100
100701708/	-	2	4	-	7-17	8	100
100802208/	-	2	4	-	8-22	8	100
101002708/	-	2	4	-	10-27	8	100
101303808/	-	2	4	-	13-38	8	100
101904408/	-	2	4	-	19-44	8	100
102605108/	-	2	4	-	26-51	8	100
103205708/	-	2	4	-	32-57	8	100
103806308/	-	2	4	-	38-63	8	100
104507008/	-	2	4	-	45-70	8	100
105708208/	-	2	4	-	57-82	8	100
106408908/	-	2	4	-	64-89	8	100
117610208/	-	2	4	-	76-102	8	100



Worm-drive clamps „LF 5“
with punched-through band

Art. no.	Material				Ø in mm	Width in mm	Package content
	W1	W2	W4	W5			
100701105/	-	2	4	-	7-11	5	100
101001905/	-	2	4	-	10-19	5	100



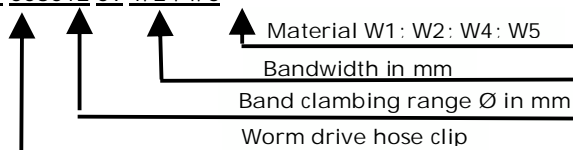
Endless band with loose headers „EB 13“
with punched-through band

Art. no.	Material				Width in mm	Package content
	W1	W2	W4	W5		
121300003B	-	yes	-	-	13	Band 3 m / 6 heads
121300030B	-	yes	-	-	13	30 m
121300050K	-	yes	-	-	13	50 heads
141300003B	-	-	yes	-	13	Band 3 m / 6 heads
141300030B	-	-	yes	-	13	30 m
141300050K	-	-	yes	-	13	50 heads



Order example:

Art.no. 1 008012 09 1/2"/4/5



By greater dimensions, we recommend our endless band (EB) with loose headers or our fastening clamp with folding housing (VF).

hose clips and pipe clips

Fastening clamps „VF 9“
with embossed band

Art. no.	Material				Ø in mm	Width in mm	Package content
	W1	W2	W4	W5			
160080VF09/	-	2	4	-	60-80	9	100
160090VF09/	-	2	4	-	60-90	9	100
160110VF09/	-	2	4	-	60-110	9	100
160135VF09/	-	2	4	-	60-135	9	100
160145VF09/	-	2	4	-	60-145	9	100
160170VF09/	-	2	4	-	60-170	9	100
160215VF09/	-	2	4	-	60-215	9	100
160270VF09/	-	2	4	-	60-270	9	100
160325VF09/	-	2	4	-	60-325	9	100
160380VF09/	-	2	4	-	60-380	9	100
160425VF09/	-	2	4	-	60-425	9	100
160525VF09/	-	2	4	-	60-525	9	100
160660VF09/	-	2	4	-	60-660	9	100



Fastening clamps „VF 12“
with embossed band

Art. no.	Material				Ø in mm	Width in mm	Package content
	W1	W2	W4	W5			
160080VF12/	-	2	-	-	60-80	12	100
160090VF12/	-	2	-	-	60-90	12	100
160110VF12/	-	2	-	-	60-110	12	100
160135VF12/	-	2	-	-	60-135	12	100
160145VF12/	-	2	-	-	60-145	12	100
160170VF12/	-	2	-	-	60-170	12	100
160215VF12/	-	2	-	-	60-215	12	100
160270VF12/	-	2	-	-	60-270	12	100
160325VF12/	-	2	-	-	60-325	12	100
160380VF12/	-	2	-	-	60-380	12	100
160425VF12/	-	2	-	-	60-425	12	100
160525VF12/	-	2	-	-	60-525	12	100
160660VF12/	-	2	-	-	60-660	12	100



Endless band „EB 9“ with loose foldable headers „VF “
with embossed band

Art. no.	Material				Width in mm	Package content
	W1	W2	W4	W5		
110900003B	yes	-	-	-	9	3 m / 6 heads
120900030B	-	yes	-	-	9	30 m
110900050K	yes	-	-	-	9	50 heads
140900003B	-	-	yes	-	9	Band 3 m / 6 heads
140900030B	-	-	yes	-	9	30 m
140900050K	-	-	yes	-	9	50 heads



Hose clips and pipe clips

Hinge bolt clamps „ GBS “ 1-part

Art. no.	Material				Ø in mm	Width in mm	Package content
	W1	W2	W4	W5			
2_18101719	1	-	-	5	17-19	18	50
2_18102022	1	-	-	5	20-22	18	50
2_18102325	1	-	-	5	23-25	18	50
2_18102628	1	-	-	5	26-28	18	50
2_18102931	1	-	-	5	29-31	18	50
2_20103235	1	-	-	5	32-35	20	50
2_20103639	1	-	-	5	36-39	20	50
2_20104043	1	-	-	5	40-43	20	50
2_20104447	1	-	-	5	44-47	20	50
2_20104851	1	-	-	5	48-51	20	50
2_20105255	1	-	-	5	52-55	20	25
2_20105659	1	-	-	5	56-59	20	25
2_20106063	1	-	-	5	60-63	20	25
2_25106467	1	-	-	5	64-67	25	25
2_25106873	1	-	-	5	68-73	25	25
2_25107479	1	-	-	5	74-79	25	25
2_25108085	1	-	-	5	80-85	25	25
2_25108691	1	-	-	5	86-91	25	25
2_25109297	1	-	-	5	92-97	25	25
2_251098103	1	-	-	5	98-103	25	24
2_251104112	1	-	-	5	104-112	25	24
2_251113121	1	-	-	5	113-121	25	20
2_251122130	1	-	-	5	122-130	25	16
2_251131139	1	-	-	5	131-139	25	16
2_251140148	1	-	-	5	140-148	25	12
2_251149161	1	-	-	5	149-161	25	8
2_251162174	1	-	-	5	162-174	25	8
2_251175187	1	-	-	5	175-187	25	8
2_251188200	1	-	-	5	188-200	25	5
2_251201213	1	-	-	5	201-213	25	5
2_251214226	1	-	-	5	214-226	25	5
2_251227239	1	-	-	5	227-239	25	5
2_251240252	1	-	-	5	240-252	25	5



Further sizes and materials are available on enquiry.

hose clips and pipe clips

Hinge bolt clamps „ GBS “
2-part

Art. no.	Material				Ø in mm	Width in mm	Package content
	W1	W2	W4	W5			
2_20204048	1	-	-	5	40-48	20	5
2_20204856	1	-	-	5	48-56	20	5
2_20205664	1	-	-	5	56-64	20	5
2_20206472	1	-	-	5	64-72	20	5
2_20207280	1	-	-	5	72-80	20	5
2_20208088	1	-	-	5	80-88	20	5
2_20208896	1	-	-	5	88-96	20	5
2_202096104	1	-	-	5	96-104	20	5
2_25208095	1	-	-	5	80-95	25	5
2_252095110	1	-	-	5	95-110	25	5
2_252110125	1	-	-	5	110-125	25	5
2_252125140	1	-	-	5	125-140	25	5
2_252140155	1	-	-	5	140-155	25	5
2_252155170	1	-	-	5	155-170	25	5
2_252170185	1	-	-	5	170-185	25	5
2_252185205	1	-	-	5	185-205	25	5
2_252205225	1	-	-	5	205-225	25	5
2_252225245	1	-	-	5	225-245	25	5
2_302185205	1	-	-	5	185-205	30	5
2_302205225	1	-	-	5	205-225	30	5
2_302225245	1	-	-	5	225-245	30	5
2_302245265	1	-	-	5	245-265	30	5
2_302265285	1	-	-	5	265-285	30	5
2_302285305	1	-	-	5	285-305	30	5
2_302305325	1	-	-	5	305-325	30	5
2_302325345	1	-	-	5	325-345	30	5
2_302345365	1	-	-	5	345-365	30	5
2_302365385	1	-	-	5	365-385	30	5
2_302385405	1	-	-	5	385-405	30	5
2_302405425	1	-	-	5	405-425	30	5
2_302425445	1	-	-	5	425-445	30	5
2_302445465	1	-	-	5	445-465	30	5



Further sizes and materials are available on enquiry.

Hose clips and pipe clips

Elongated hose clamp „chimney clamps “
with welding sockets

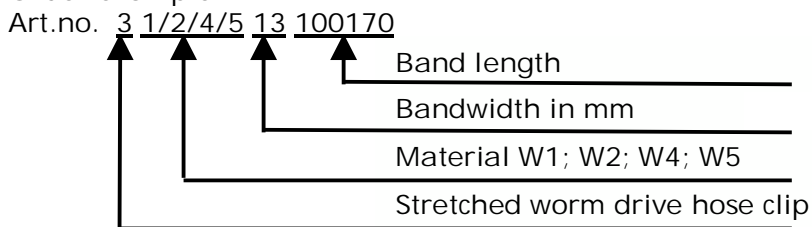
Art. no.	Material				Length in mm	Width in mm	Package content
	W1	W2	W4	W5			
3409100170	-	-	yes	-	100-170	9	-



Further sizes and quantities on enquiry.

Art. no.	Material				Length in mm	Width in mm	Package content
	W1	W2	W4	W5			
3413100170	-	-	yes	-	100-170	13	-

Order example:



Double wire clamps „DDK “

Art. no.	Material				Pipe Ø in mm	Package content
	W1	W2	W4	W5		
5911000016	yes	-	-	-	13-16	50
5911000018	yes	-	-	-	15-18	50
5911000020	yes	-	-	-	17-20	50
5911000023	yes	-	-	-	19-23	50
5911000025	yes	-	-	-	22-25	50
5911000027	yes	-	-	-	24-27	50
5911000031	yes	-	-	-	27-31	50
5911000035	yes	-	-	-	31-35	50
5911000037	yes	-	-	-	33-37	50
5911000040	yes	-	-	-	36-40	50
5911000043	yes	-	-	-	39-43	50
5911000046	yes	-	-	-	41-46	50
5911000049	yes	-	-	-	44-49	50
5911000053	yes	-	-	-	47-53	50
5911000056	yes	-	-	-	51-56	50
5911000060	yes	-	-	-	54-60	50
5911000068	yes	-	-	-	60-68	50
5911000072	yes	-	-	-	64-72	50



Further sizes and materials are available on enquiry.

hose clips and pipe clips

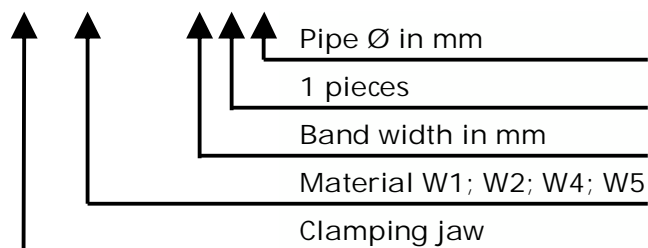
Clamping jaws „S 9“

Art. no.	Material				Ø in mm	Width in mm	Package content
	W1	W2	W4	W5			
6_09100008	1	-	-	-	8	9	100
6_09100009	1	-	-	-	9	9	100
6_09100010	1	-	-	-	10	9	100
6_09100011	1	-	-	-	11	9	100
6_09100012	1	-	-	-	12	9	100
6_09100013	1	-	-	-	13	9	100
6_09100014	1	-	-	-	14	9	100
6_09100015	1	-	-	-	15	9	100
6_09100016	1	-	-	-	16	9	100
6_09100017	1	-	-	-	17	9	100
6_09100018	1	-	-	-	18	9	100
6_09100019	1	-	-	-	19	9	100
6_09100020	1	-	-	-	20	9	100
6_09100021	1	-	-	-	21	9	100



Order example:

Art.no. 6 1/2/4/5 12 1 12



Further sizes and materials are available on enquiry.

Hose clips and pipe clips

Clamping jaws „S 12“

Art. no.	Material				Ø in mm	Width in mm	Package content
	W1	W2	W4	W5			
6_12100012	1	-	-	-	12	12	100
6_12100013	1	-	-	-	13	12	100
6_12100014	1	-	-	-	14	12	100
6_12100015	1	-	-	-	15	12	100
6_12100016	1	-	-	-	16	12	100
6_12100017	1	-	-	-	17	12	100
6_12100018	1	-	-	-	18	12	100
6_12100019	1	-	-	-	19	12	100
6_12100020	1	-	-	-	20	12	100
6_12100021	1	-	-	-	21	12	100
6_12100022	1	-	-	-	22	12	100
6_12100023	1	-	-	-	23	12	100
6_12100024	1	-	-	-	24	12	100
6_12100025	1	-	-	-	25	12	100
6_12100026	1	-	-	-	26	12	100
6_12100027	1	-	-	-	27	12	100
6_12100028	1	-	-	-	28	12	100
6_12100029	1	-	-	-	29	12	100
6_12100030	1	-	-	-	30	12	100
6_12100031	1	-	-	-	31	12	100
6_12100032	1	-	-	-	32	12	100
6_12100033	1	-	-	-	33	12	100
6_12100034	1	-	-	-	34	12	100
6_12100035	1	-	-	-	35	12	100
6_12100036	1	-	-	-	36	12	100
6_12100037	1	-	-	-	37	12	100
6_12100038	1	-	-	-	38	12	100
6_12100039	1	-	-	-	39	12	100
6_12100040	1	-	-	-	40	12	100
6_12100041	1	-	-	-	41	12	100
6_12100042	1	-	-	-	42	12	100
6_12100043	1	-	-	-	43	12	100
6_12100044	1	-	-	-	44	12	100
6_12100045	1	-	-	-	45	12	100



Further sizes and materials are available on enquiry.

hose clips and pipe clips

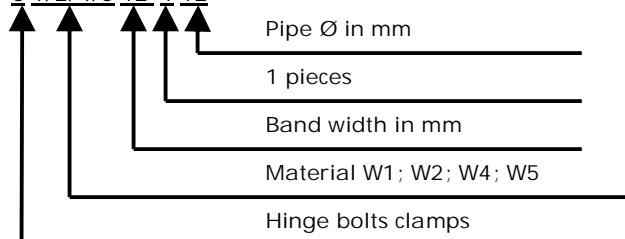
Clamping jaws „S 15“

Art. no.	Material				Ø in mm	Width in mm	Package content
	W1	W2	W4	W5			
6_15100021	1	-	-	-	21	15	100
6_15100022	1	-	-	-	22	15	100
6_15100023	1	-	-	-	23	15	100
6_15100024	1	-	-	-	24	15	100
6_15100025	1	-	-	-	25	15	100
6_15100026	1	-	-	-	26	15	100
6_15100027	1	-	-	-	27	15	100
6_15100028	1	-	-	-	28	15	100
6_15100029	1	-	-	-	29	15	100
6_15100030	1	-	-	-	30	15	100
6_15100031	1	-	-	-	31	15	100
6_15100032	1	-	-	-	32	15	100
6_15100033	1	-	-	-	33	15	100
6_15100034	1	-	-	-	34	15	100
6_15100035	1	-	-	-	35	15	100
6_15100036	1	-	-	-	36	15	100
6_15100037	1	-	-	-	37	15	100
6_15100038	1	-	-	-	38	15	100
6_15100039	1	-	-	-	39	15	100
6_15100040	1	-	-	-	40	15	100
6_15100041	1	-	-	-	41	15	100
6_15100042	1	-	-	-	42	15	100
6_15100043	1	-	-	-	43	15	100
6_15100044	1	-	-	-	44	15	100
6_15100045	1	-	-	-	45	15	100
6_15100046	1	-	-	-	46	15	100
6_15100047	1	-	-	-	47	15	100
6_15100048	1	-	-	-	48	15	100
6_15100049	1	-	-	-	49	15	100
6_15100050	1	-	-	-	50	15	100
6_15100051	1	-	-	-	51	15	100
6_15100052	1	-	-	-	52	15	100
6_15100053	1	-	-	-	53	15	100
6_15100054	1	-	-	-	54	15	100
6_15100055	1	-	-	-	55	15	100
6_15100056	1	-	-	-	56	15	100



Order example:

Art.no. 6 1/2/4/5 12 1 12



Hose clips and pipe clips

„1-ear clamp “

Art. no.	Material				Ø in mm	Width in mm	Package content
	W1	W2	W4	W5			
7_10000709	-	-	4	-	7-9	6	100
7_10000810	1	-	4	-	8-10	6	100
7_10000911	1	-	4	-	9-11	6,5	100
7_10001012	1	-	4	-	10-12	6,5	100
7_10001113	1	-	4	-	11-13	6,5	100
7_10001214	1	-	4	-	12-14	7	100
7_10001416	1	-	4	-	14-16	7	100
7_10001618	1	-	4	-	16-18	7	100



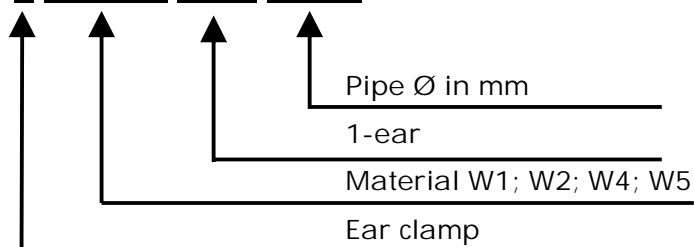
„1-ear clamp “

Art. no.	Material				Ø in mm	Width in mm	Package content
	W1	W2	W4	W5			
7_10075085	1	-	4	-	7,5-8,5	6	100
7_10082095	1	-	4	-	8,2-9,5	6	100
7_10090105	1	-	4	-	9,0-10,5	6,5	100
7_10100115	1	-	4	-	10,0-11,5	6,5	100
7_10105125	1	-	4	-	10,5-12,5	6,5	100
7_10115133	1	-	4	-	11,5-13,5	7	100
7_10130153	1	-	4	-	13,0-15,3	7	100
7_10150173	1	-	4	-	15,0-17,3	7	100
7_10130153	-	-	4	-	16,0-18,3	7,5	100
7_10150173	-	-	4	-	17,0-19,3	7,5	100



Order example:

Art.no. 7 1/2/4/5 1000 05-07



By greater dimensions, we recommend our endless band (EB) with loose headers or our fastening clamp with folding housing (VF).

hose clips and pipe clips

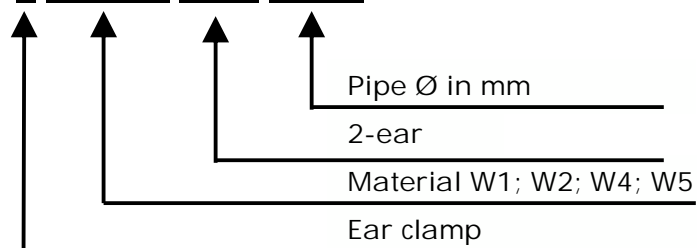
„2-ear clamp “

Art. no.	Material				Ø in mm	Width in mm	Package content
	W1	W2	W4	W5			
7_00000507	1	-	4	-	5-7	6	100
7_00000709	1	-	4	-	7-9	6	100
7_00000911	1	-	4	-	9-11	6,5	100
7_00001113	1	-	4	-	11-13	6,5	100
7_00001315	1	-	4	-	13-15	7	100
7_00001417	1	-	4	-	14-17	7	100
7_00001518	1	-	4	-	15-18	7,5	100
7_00001720	1	-	4	-	17-20	7,5	100
7_00001821	1	-	4	-	18-21	8	100
7_00002023	1	-	4	-	20-23	8	100
7_00002225	1	-	4	-	22-25	8,5	100
7_00002327	1	-	-	-	23-27	8,5	100
7_00002528	1	-	-	-	25-28	9	100
7_00002831	1	-	-	-	28-31	9	100
7_00003134	1	-	-	-	31-34	9,5	100
7_00003437	1	-	-	-	34-37	9,5	100
7_00003740	1	-	-	-	37-40	10	100
7_00004043	1	-	-	-	40-43	10	100
7_00004346	1	-	-	-	43-46	10,5	100



Order example:

Art.no. 7 1/2/4/5 0000 05-07



By greater dimensions, we recommend our endless band (EB) with loose headers or our fastening clamp with folding housing (VF).

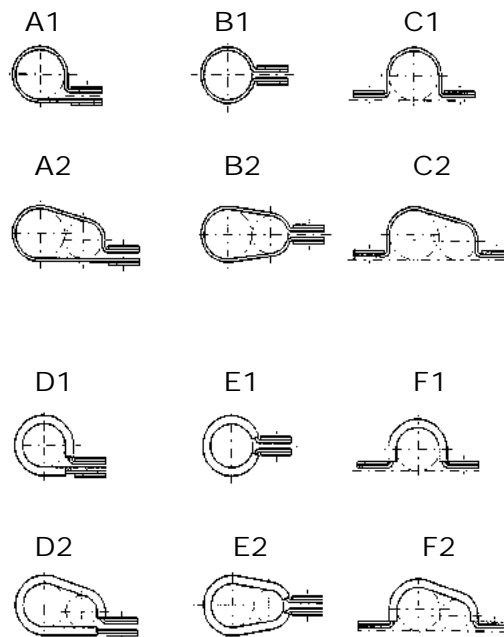
Hose clips and pipe clips

Clamp retainers „RS “ (without elastomer profile)
 „RSGU “ (with elastomer profile)



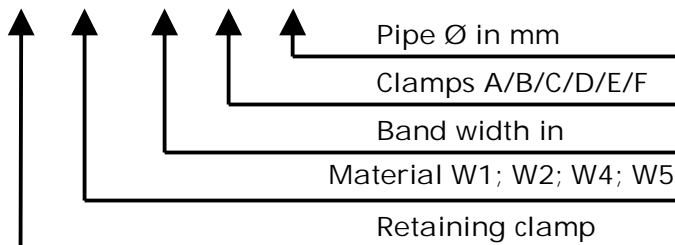
Please insert the art. no. on the enquiry / order according to the form and material of the product.

Art. no.	Material				Pipe Ø in mm	Width in mm	Package content
	W1	W2	W4	W5			
8_12__0005	1	-	4	5	5	12	100
8_12__0006	1	-	4	5	6	12	100
8_12__0007	1	-	4	5	7	12	100
8_12__0008	1	-	4	5	8	12	100
8_12__0009	1	-	4	5	9	12	100
8_12__0010	1	-	4	5	10	12	100
8_12__0011	1	-	4	5	11	12	100
8_12__0012	1	-	4	5	12	12	100
8_12__0013	1	-	4	5	13	12	100
8_12__0014	1	-	4	5	14	12	100
8_12__0015	1	-	4	5	15	12	100
8_12__0016	1	-	4	5	16	12	100
8_12__0017	1	-	4	5	17	12	100
8_12__0018	1	-	4	5	18	12	100
8_12__0019	1	-	4	5	19	12	100
8_12__0020	1	-	4	5	20	12	100
8_12__0021	1	-	4	5	21	12	100
8_12__0022	1	-	4	5	22	12	100
8_12__0023	1	-	4	5	23	12	100
8_12__0024	1	-	4	5	24	12	100
8_12__0025	1	-	4	5	25	12	100
8_12__0026	1	-	4	5	26	12	100
8_12__0027	1	-	4	5	27	12	100
8_12__0028	1	-	4	5	28	12	100
8_12__0029	1	-	4	5	29	12	100
8_12__0030	1	-	4	5	30	12	100



Order example:

Art.no. 8 1/2/4/5 12 A100 05



Further sizes and materials are available on enquiry.

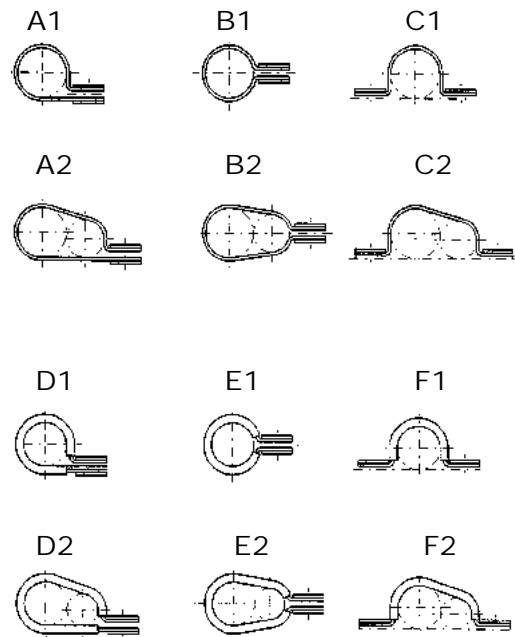
hose clips and pipe clips

Clamp retainers „RS “ (without elastomer profile)
„RSGU “ (with elastomer profile)

Art. no.	Material				Pipe Ø in mm	Width in mm	Package content
	W1	W2	W4	W5			
8_15__0005	1	-	4	5	5	15	100
8_15__0006	1	-	4	5	6	15	100
8_15__0007	1	-	4	5	7	15	100
8_15__0008	1	-	4	5	8	15	100
8_15__0009	1	-	4	5	9	15	100
8_15__0010	1	-	4	5	10	15	100
8_15__0011	1	-	4	5	11	15	100
8_15__0012	1	-	4	5	12	15	100
8_15__0013	1	-	4	5	13	15	100
8_15__0014	1	-	4	5	14	15	100
8_15__0015	1	-	4	5	15	15	100
8_15__0016	1	-	4	5	16	15	100
8_15__0017	1	-	4	5	17	15	100
8_15__0018	1	-	4	5	18	15	100
8_15__0019	1	-	4	5	19	15	100
8_15__0020	1	-	4	5	20	15	100
8_15__0021	1	-	4	5	21	15	100
8_15__0022	1	-	4	5	22	15	100
8_15__0023	1	-	4	5	23	15	100
8_15__0024	1	-	4	5	24	15	100
8_15__0025	1	-	4	5	25	15	100
8_15__0026	1	-	4	5	26	15	100
8_15__0027	1	-	4	5	27	15	100
8_15__0028	1	-	4	5	28	15	100
8_15__0029	1	-	4	5	29	15	100
8_15__0030	1	-	4	5	30	15	100
8_15__0031	1	-	4	5	31	15	100
8_15__0032	1	-	4	5	32	15	100
8_15__0033	1	-	4	5	33	15	100
8_15__0034	1	-	4	5	34	15	100
8_15__0035	1	-	4	5	35	15	100
8_15__0036	1	-	4	5	36	15	100
8_15__0037	1	-	4	5	37	15	100
8_15__0038	1	-	4	5	38	15	100
8_15__0039	1	-	4	5	39	15	100
8_15__0040	1	-	4	5	40	15	100



Please insert the art. no. on the enquiry / order according to the form and material of the product.



Further sizes and materials are available on enquiry.

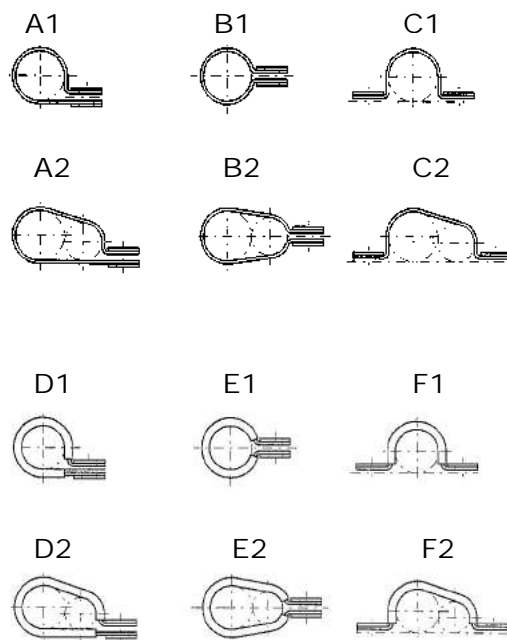
Hose clips and pipe clips

Clamp retainers „RS “ (without elastomer profile)
 „RSGU “ (with elastomer profile)

Art. no.	Material				Pipe Ø in mm	Width in mm	Package content
	W1	W2	W4	W5			
8_20_0008	1	-	4	5	8	20	100
8_20_0009	1	-	4	5	9	20	100
8_20_0010	1	-	4	5	10	20	100
8_20_0011	1	-	4	5	11	20	100
8_20_0012	1	-	4	5	12	20	100
8_20_0013	1	-	4	5	13	20	100
8_20_0014	1	-	4	5	14	20	100
8_20_0015	1	-	4	5	15	20	100
8_20_0016	1	-	4	5	16	20	100
8_20_0017	1	-	4	5	17	20	100
8_20_0018	1	-	4	5	18	20	100
8_20_0019	1	-	4	5	19	20	100
8_20_0020	1	-	4	5	20	20	100
8_20_0021	1	-	4	5	21	20	100
8_20_0022	1	-	4	5	22	20	100
8_20_0023	1	-	4	5	23	20	100
8_20_0024	1	-	4	5	24	20	100
8_20_0025	1	-	4	5	25	20	100
8_20_0026	1	-	4	5	26	20	100
8_20_0027	1	-	4	5	27	20	100
8_20_0028	1	-	4	5	28	20	100
8_20_0029	1	-	4	5	29	20	100
8_20_0030	1	-	4	5	30	20	100
8_20_0031	1	-	4	5	31	20	100
8_20_0032	1	-	4	5	32	20	100
8_20_0033	1	-	4	5	33	20	100
8_20_0034	1	-	4	5	34	20	100
8_20_0035	1	-	4	5	35	20	100
8_20_0036	1	-	4	5	36	20	100
8_20_0037	1	-	4	5	37	20	100
8_20_0038	1	-	4	5	38	20	100
8_20_0039	1	-	4	5	39	20	100
8_20_0040	1	-	4	5	40	20	100



Please insert the art. no. on the enquiry / order according to the form and material of the product.



Order example:

Art.no. 8 1/2/4/5 12 A100 05

