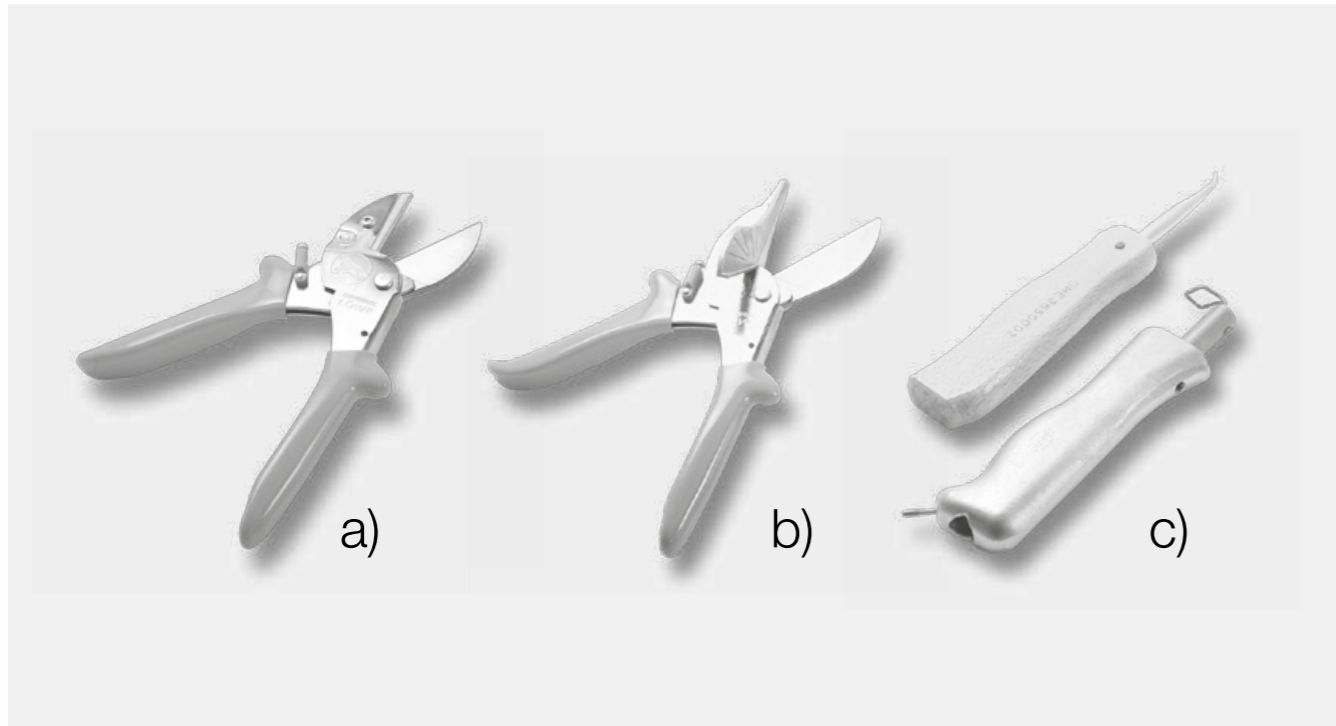




**Advantages**

- Pair of scissors for cutting sealing profiles into length.
- Pair of scissors with protractor.
- Fitting tool for window seals 5-130 / 5-131.
- Glue for EPDM for joining the sealing profiles to rings.



Accessories for Profiles

	Part Number	Name	Eyelets width
a)	209-1001.00-00000	Pair of universal scissors	
b)	209-1002.00-00000	Pair of mitring scissors	
c)	209-1003.00-00000	Fitting tool for window seals, incl. eye 701-7068	
	701-7066.00-00000	Eye for fitting tool, small	9.4 mm
	701-7067.00-00000	Eye for fitting tool, medium	10.6 mm
	701-7068.00-00000	Eye for fitting tool, large	14 mm
	209-7054.00-00000	Glue for EPDM, 50g	



**Advantages**

- Radius Adapter simplifies installation for clip-on sealing profiles by creating a radius within 90° inside corners.
- The radius adapter is easily installed and kept in position at the flange of the housing by the clip-on U-part of the sealing profile.
- No welding and grinding of junction plates due to the corner radius.
- Just put the radius adapter into the angle (after the painting process) and fix with the U-shape carrier of the sealing profile.
- Housing covers can be screwed to the frame at low cost using the integrated device for selftapping screw.

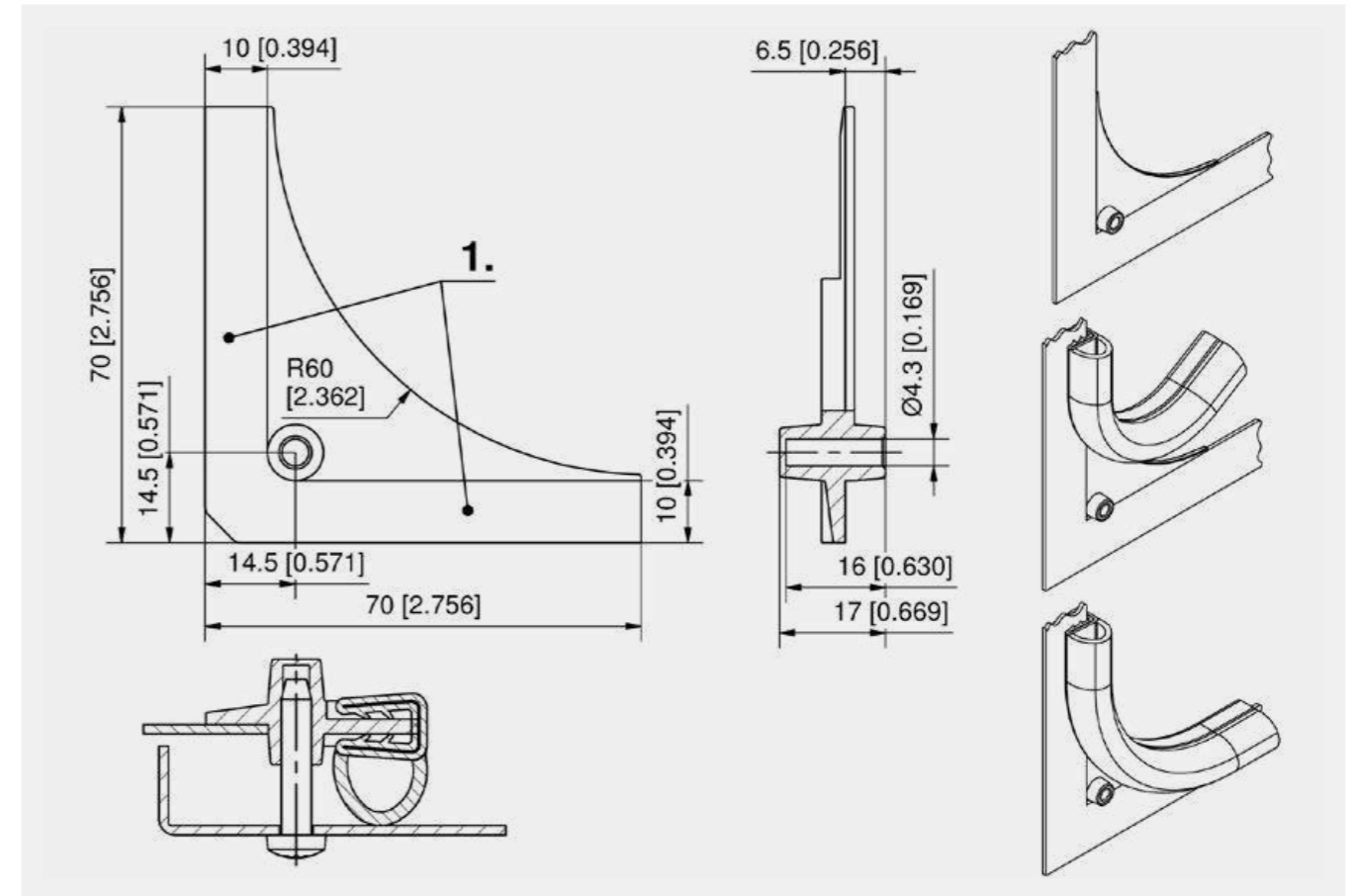
**Materials**

- **Radius Adapter:** PA6 30GF, black



**Remarks**

1. Installation surface



Accessories for Profiles

Part Number	Type	Surface
209-4204.52-00000	Radius adapter for clip-on profiles	black