

SCREWS

DIN 6332
Grub screws
 with thrust point
DIN 6311
Thrust pads
 for Grub screws DIN 6332, for Tommy screws DIN 6304 / DIN 6306




page 912

GN 632.1
Grub screws
 with ball point for Thrust pads GN 631 / GN 631.5



page 914

GN 632.5
Stainless Steel-Grub screws
 with ball point for Thrust pads GN 631 / GN 631.5



page 915

ISO 7379
Shoulder screws
 Steel



page 916

ISO 7379-NI
Shoulder screws
 Stainless Steel



page 916

GN 732.1
Cylinder head shoulder bolts



page 919

GN 913.2
Grub screws
 with hardened pivot




page 920

Z 51
Grub screws
 with brass / plastic pivot



page 921

GN 913.5
Stainless Steel-Grub screws
 with brass / plastic pivot



page 922

GN 806
Protective caps




page 923

GN 251
Setting bolts



page 924

GN 251.2
Setting bolts
 with limit switch



page 926

GN 933.5
Stainless Steel-Hexagon head screws
 with brass / plastic / spherical pivot



page 927

Z 47
Ball point screws
 Steel



page 928

Z 47E0A
Ball point screws
 Stainless Steel



page 929

GN 606
Ball point screws
 Steel



page 931

GN 606-NI
Ball point screws
 Stainless Steel



page 931

GN 1524
Swing bolts
 Steel / Stainless Steel, with long threaded bolt



page 934

DIN 444
Swing bolts
 Steel



page 935

DIN 444-NI
Swing bolts
 Stainless Steel



page 935

GN 444.2
Swing nuts



page 936

SCREWS

DIN 6379
Studs
 for T-Nuts



page 937

GN 6311.1
Thrust pads
 for grub screws DIN 6332, tommy screws DIN 6304 / DIN 6306




page 913

GN 631
Thrust pads
 for Grub screws GN 632.1 / GN 632.5



page 940

GN 631.5
Stainless Steel-Thrust pads
 for Grub screws GN 632.5




page 941

Z 21, 23, 24, 26, 29, 68, 69, 71
Star knobs



page 942-947

Knurled knobs



page 948-955

N' (%z'N' (& Sdf]b['d' i b[Yfg

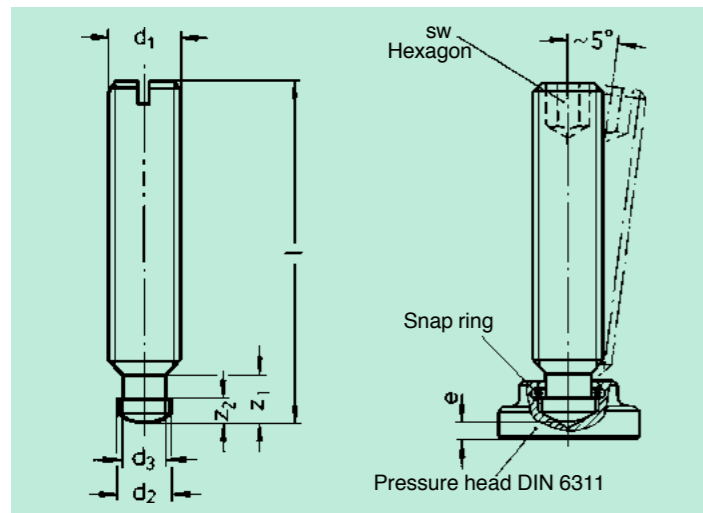


page -)*

N' (\$z'N' (' Sdf]b['d' i b[Yfg



page -)+



Thread Pins with Pressure Point, DIN 6332

INOX



The pressure point of thread pin DIN 6332 is designed to be used with or without the pressure head. The snap ring of the pressure head provides simple and fast connection between screw and pressure head.

Model: Steel, stability class 5.8, black oxide finished. Pressure point hardened.

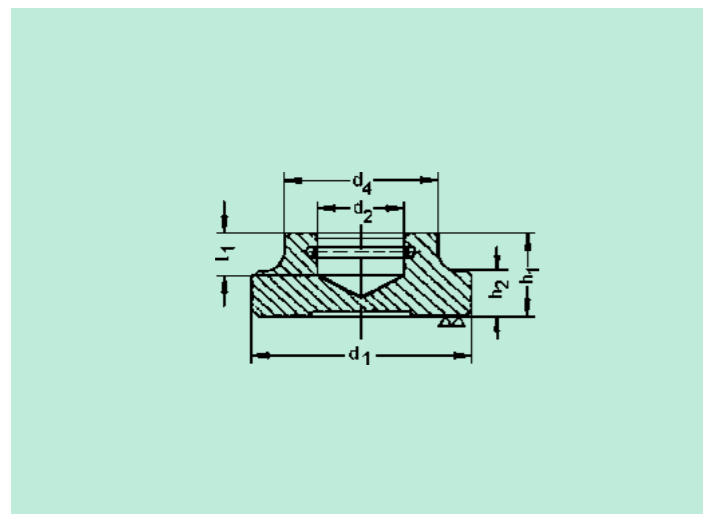
Type S: with slot

Type SK: with internal hexagon

Thread Pins with Pressure Point DIN 6332

Order No.	Order No.	d ₁	Length of Screw l (mm)			d ₂ h ₁₁	d ₃	e	sw	Z ₁	Z ₂
Type S	Type SK					mm	mm	mm	mm	mm	mm
50 06 ... S	50 06 ... SK	M 6	30	40	50	4,5	4	2,2	3	5,4	2,5
50 08 ... S	50 08 ... SK	M 8	40	50	60	6	5,4	3	4	6,8	3
50 10 ... S	50 10 ... SK	M 10			60	8	7,2	3,6	5	8,2	4,5
50 12 ... S	50 12 ... SK	M 12			60	8	7,2	4,5	6	8,6	4,5
50 16 ... S	50 16 ... SK	M 16			80	10	12	5,3	8	10,6	5
50 20 ... S	50 20 ... SK	M 20			100	12,5	15,5	5,6	10	12,4	5,5

... Please indicate here the desired length of screw, e.g. 030 for l = 30 mm.



Pressure Heads DIN 6311



Pressure heads can be connected with pressure point screws (Thread Pins DIN 6332) to transmit the applied tension force. It is also suitable for uneven or non-parallel surfaces and prevent any screw turning movements to the workpiece.

Model: Blank turned, insert hardened. Snap ring inlaid.

Pressure Heads DIN 6311

Order No.	used Thread Pin	d ₁	d ₂ H ₁₂	d ₄	h ₁	h ₂	t ₁
		mm	mm	mm	mm	mm	mm
53 12 06	M 6	12	4,6	10	7	2,5	4
53 16 08	M 8	16	6,1	12	9	4	5
53 20 10	M 10	20	8,1	15	11	5	6
53 25 12	M 12	25	8,1	18	13	6	7
53 32 16	M 16	32	12,1	22	15	7	7,5
53 40 20	M 20	40	15,6	28	16	9	8



Thrust pads

for grub screws DIN 6332, tommy screws DIN 6304 / DIN 6306

SPECIFICATION

Types

- Type **A**: Thrust pad surface plain, without plastic cap
- Type **P**: Thrust pad surface with prism, without plastic cap
- Type **K**: Thrust pad surface plain, with plastic cap

Steel

blackened

Snap ring

Spring steel wire

Plastic cap (Polyacetal POM)

- natural colour

- temperature resistant up to 100 °C



INFORMATION

Thrust pads GN 6311.1 are used in conjunction with grub screws fitted with thrust point (grub screws DIN 6332 (see page 912), tommy screws DIN 6304 (see page 407) and DIN 6306 (see page 409) to transmit clamping force. They align themselves on uneven and non-parallel surfaces and thus prevent the rotating force being transmitted to the workpiece.

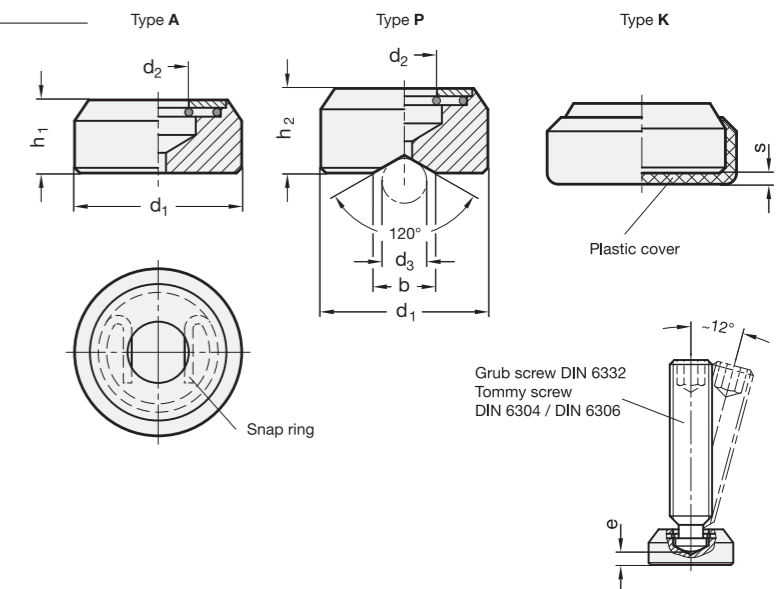
The plastic cap prevents damage to delicate workpieces.

The unique shape of the non-removable retaining ring permits easy insertion and removal of grub screws into or from the thrust pad.

Thrust pads GN 6311.1 can be used in conjunction with DIN 6332 (see page 912) grub screws as levelling pad.

TECHNICAL INFORMATION

- Plastic characteristics (see page A2)



GN 6311.1

Description	d ₁	b	d ₂ +0.2	d ₃ min.	d ₃ max.	e ≈	h ₁	h ₂	s	Grub screw DIN 6332	⚖
GN 6311.1-16-A	16	10	6.3	7.5	20	2.2	8	-	1.5	M 8	11
GN 6311.1-20-A	20	12	9.2	7.5	24	2.6	10	-	1.5	M 10 M 12	18
GN 6311.1-25-A	25	16	9.2	7.5	32	2.9	11	-	1.5	M 10 M 12	34
GN 6311.1-32-A	32	22	12.5	7.5	44	4.5	14	-	1.5	M 16	70
GN 6311.1-16-P	16	10	6.3	7.5	20	5.3	-	11	1.5	M 8	13
GN 6311.1-20-P	20	12	9.2	7.5	24	5.6	-	13	1.5	M 10 M 12	24
GN 6311.1-25-P	25	16	9.2	7.5	32	6.9	-	15	1.5	M 10 M 12	43
GN 6311.1-32-P	32	22	12.5	7.5	44	9.2	-	18	1.5	M 16	80
GN 6311.1-16-K	16	10	6.3	7.5	20	-	8	-	1.5	M 8	12
GN 6311.1-20-K	20	12	9.2	7.5	24	-	10	-	1.5	M 10 M 12	22
GN 6311.1-25-K	25	16	9.2	7.5	32	-	11	-	1.5	M 10 M 12	35
GN 6311.1-32-K	32	22	12.5	7.5	44	-	14	-	1.5	M 16	74

Grub screws

with ball point for Thrust pads GN 631 / GN 631.5

SPECIFICATION

Steel

- Tensile strength class 5.8
- blackened

INFORMATION

Grub screws GN 632.1 with ball point are as a rule used with thrust pads GN 631 (see page 940) / GN 631.5 (see page 941).

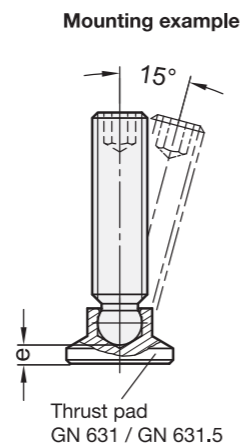
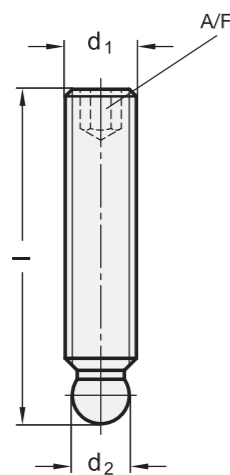
The ball- \varnothing d_2 is smaller than the thread core- \varnothing , which allows fitting over the ball end.

The combination of grub screws GN 632.1 and thrust pads GN 631 / GN 631.5 with gripping elements easily makes clamping screws of many different types.



TECHNICAL INFORMATION

- Strength values of screws (see page A20)



GN 632.1

Description	d1	l	d2	A/F	Thrust pad GN 631 / GN 631.5 d1 - e	⚖
GN 632.1-M6-30	M 6	30	4.5±0.025	3	15 - 3.6 18 - 5.2 21 - 6 25 - 6.5 32 - 7	5
GN 632.1-M6-40	M 6	40	4.5±0.025	3	15 - 3.6 18 - 5.2 21 - 6 25 - 6.5 32 - 7	8
GN 632.1-M6-50	M 6	50	4.5±0.025	3	15 - 3.6 18 - 5.2 21 - 6 25 - 6.5 32 - 7	8
GN 632.1-M8-25	M 8	25	6.1+0.05	4	15 - 2.5 18 - 4.2 21 - 5 25 - 5.5 32 - 6 40 - 8	7
GN 632.1-M8-40	M 8	40	6.1+0.05	4	15 - 2.5 18 - 4.2 21 - 5 25 - 5.5 32 - 6 40 - 8	12
GN 632.1-M8-50	M 8	50	6.1+0.05	4	15 - 2.5 18 - 4.2 21 - 5 25 - 5.5 32 - 6 40 - 8	15
GN 632.1-M8-63	M 8	63	6.1+0.05	4	15 - 2.5 18 - 4.2 21 - 5 25 - 5.5 32 - 6 40 - 8	19
GN 632.1-M10-40	M 10	40	7.8+0.05	5	18 - 3.8 21 - 4.3 25 - 4.6 32 - 5 40 - 7	16
GN 632.1-M10-50	M 10	50	7.8+0.05	5	18 - 3.8 21 - 4.3 25 - 4.6 32 - 5 40 - 7	22
GN 632.1-M10-63	M 10	63	7.8+0.05	5	18 - 3.8 21 - 4.3 25 - 4.6 32 - 5 40 - 7	29
GN 632.1-M10-80	M 10	80	7.8+0.05	5	18 - 3.8 21 - 4.3 25 - 4.6 32 - 5 40 - 7	37
GN 632.1-M12-40	M 12	40	9.4+0.05	6	21 - 3.4 25 - 3.6 32 - 4.2 40 - 6.2	20
GN 632.1-M12-63	M 12	63	9.4+0.05	6	21 - 3.4 25 - 3.6 32 - 4.2 40 - 6.2	41
GN 632.1-M12-80	M 12	80	9.4+0.05	6	21 - 3.4 25 - 3.6 32 - 4.2 40 - 6.2	53
GN 632.1-M12-100	M 12	100	9.4+0.05	6	21 - 3.4 25 - 3.6 32 - 4.2 40 - 6.2	68

Stainless Steel-Grub screws

with ball point for Thrust pads GN 631 / GN 631.5

SPECIFICATION

Stainless Steel AISI 303

INFORMATION

Grub screws GN 632.5 with ball point are as a rule used with thrust pads GN 631 (see page 940) / GN 631.5 (see page 941).

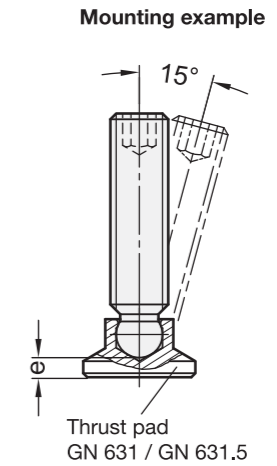
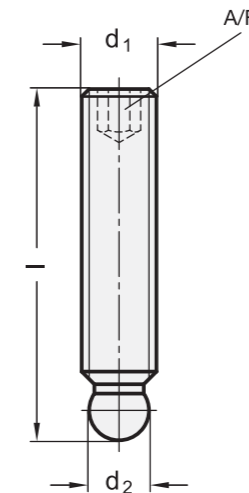
The ball- \varnothing d_2 is smaller than the thread core- \varnothing , which allows fitting over the ball end.

The combination of grub screws GN 632.5 and thrust pads GN 631 / GN 631.5 with gripping elements easily makes clamping screws of many different types.



TECHNICAL INFORMATION

- Stainless Steel characteristics (see page A26)
- Strength values of screws (see page A20)



GN 632.5

STAINLESS STEEL

Description	d1	l	d2	A/F	Thrust pad GN 631 / GN 631.5 d1 - e	⚖
GN 632.5-M6-30	M 6	30	4.5±0.025	3	15 - 3.6 18 - 5.2 21 - 6 25 - 6.5 32 - 7	5
GN 632.5-M6-40	M 6	40	4.5±0.025	3	15 - 3.6 18 - 5.2 21 - 6 25 - 6.5 32 - 7	8
GN 632.5-M6-50	M 6	50	4.5±0.025	3	15 - 3.6 18 - 5.2 21 - 6 25 - 6.5 32 - 7	10
GN 632.5-M8-25	M 8	25	6.1+0.05	4	15 - 2.5 18 - 4.2 21 - 5 25 - 5.5 32 - 6 40 - 8	6
GN 632.5-M8-40	M 8	40	6.1+0.05	4	15 - 2.5 18 - 4.2 21 - 5 25 - 5.5 32 - 6 40 - 8	8
GN 632.5-M8-50	M 8	50	6.1+0.05	4	15 - 2.5 18 - 4.2 21 - 5 25 - 5.5 32 - 6 40 - 8	14
GN 632.5-M8-63	M 8	63	6.1+0.05	4	15 - 2.5 18 - 4.2 21 - 5 25 - 5.5 32 - 6 40 - 8	15
GN 632.5-M10-40	M 10	40	7.8+0.05	5	18 - 3.8 21 - 4.3 25 - 4.6 32 - 5 40 - 7	17
GN 632.5-M10-50	M 10	50	7.8+0.05	5	18 - 3.8 21 - 4.3 25 - 4.6 32 - 5 40 - 7	21
GN 632.5-M10-63	M 10	63	7.8+0.05	5	18 - 3.8 21 - 4.3 25 - 4.6 32 - 5 40 - 7	35
GN 632.5-M10-80	M 10	80	7.8+0.05	5	18 - 3.8 21 - 4.3 25 - 4.6 32 - 5 40 - 7	44
GN 632.5-M12-40	M 12	40	9.4+0.05	6	21 - 3.4 25 - 3.6 32 - 4.2 40 - 6.2	20
GN 632.5-M12-63	M 12	63	9.4+0.05	6	21 - 3.4 25 - 3.6 32 - 4.2 40 - 6.2	40
GN 632.5-M12-80	M 12	80	9.4+0.05	6	21 - 3.4 25 - 3.6 32 - 4.2 40 - 6.2	48
GN 632.5-M12-100	M 12	100	9.4+0.05	6	21 - 3.4 25 - 3.6 32 - 4.2 40 - 6.2	60

Shoulder screws

Steel / Stainless Steel, with collar

SPECIFICATION

Version in Steel

- Tensile strength class 12.9
- blackened
- Adapter dimensions d₁ ground

Version in Stainless Steel NI

- AISI 304 (A2)
- Adapter dimension d₁ ground

INFORMATION

Shoulder screws ISO 7379 are cost-saving construction elements for a wide variety of different uses.

The maximum tightening torque must not be defined by strength class 12.9, it is instead limited by the relatively small bearing points (shoulders) and by the recesses at the transition point from d₁ to d₂ and d₃.

Standard deviation:

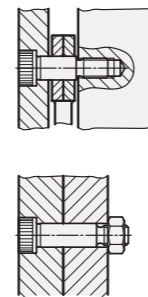
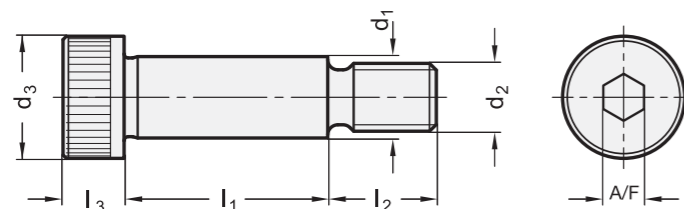
- no information about the concentricity 2 IT 13 and IT 10 2
- the official ISO standard sheet has the following dimensions for d₁ - d₂: 6.5-M5 / 13-M10 / 25-M20
- the dimensions 4-M3 and M4-M5 are not included in the official ISO standard sheet

TECHNICAL INFORMATION

- Stainless Steel characteristics (see page A26)
- ISO-Fundamental Tolerances (see page A21)
- Strength values of screws (see page A20)



Examples of application



ISO 7379

Description	d1 f9	d2	l ₁ +0.25	d3	l ₂	l ₃	A/F	⚙
ISO 7379-4-M3-4	4	M3	4	7	7	3	2	1
ISO 7379-4-M3-5	4	M3	5	7	7	3	2	2
ISO 7379-4-M3-6	4	M3	6	7	7	3	2	2
ISO 7379-4-M3-8	4	M3	8	7	7	3	2	2
ISO 7379-4-M3-10	4	M3	10	7	7	3	2	2
ISO 7379-4-M3-12	4	M3	12	7	7	3	2	3
ISO 7379-4-M3-16	4	M3	16	7	7	3	2	3
ISO 7379-4-M3-20	4	M3	20	7	7	3	2	3
ISO 7379-4-M3-25	4	M3	25	7	7	3	2	4
ISO 7379-4-M3-30	4	M3	30	7	7	3	2	4
ISO 7379-5-M4-5	5	M4	5	9	8	4	2.5	3
ISO 7379-5-M4-6	5	M4	6	9	8	4	2.5	3
ISO 7379-5-M4-8	5	M4	8	9	8	4	2.5	4
ISO 7379-5-M4-10	5	M4	10	9	8	4	2.5	4
ISO 7379-5-M4-12	5	M4	12	9	8	4	2.5	4
ISO 7379-5-M4-16	5	M4	16	9	8	4	2.5	5
ISO 7379-5-M4-20	5	M4	20	9	8	4	2.5	5
ISO 7379-5-M4-25	5	M4	25	9	8	4	2.5	7
ISO 7379-5-M4-30	5	M4	30	9	8	4	2.5	7
ISO 7379-5-M4-40	5	M4	40	9	8	4	2.5	10
ISO 7379-6-M5-10	6	M5	10	10	9.5	4.5	3	5
ISO 7379-6-M5-12	6	M5	12	10	9.5	4.5	3	6
ISO 7379-6-M5-16	6	M5	16	10	9.5	4.5	3	10
ISO 7379-6-M5-20	6	M5	20	10	9.5	4.5	3	10
ISO 7379-6-M5-25	6	M5	25	10	9.5	4.5	3	11
ISO 7379-6-M5-30	6	M5	30	10	9.5	4.5	3	11
ISO 7379-6-M5-35	6	M5	35	10	9.5	4.5	3	12
ISO 7379-6-M5-40	6	M5	40	10	9.5	4.5	3	15
ISO 7379-6-M5-45	6	M5	45	10	9.5	4.5	3	16
ISO 7379-6-M5-50	6	M5	50	10	9.5	4.5	3	17
ISO 7379-6-M5-55	6	M5	55	10	9.5	4.5	3	18
ISO 7379-6-M5-60	6	M5	60	10	9.5	4.5	3	18
ISO 7379-6-M5-65	6	M5	65	10	9.5	4.5	3	18
ISO 7379-6-M5-70	6	M5	70	10	9.5	4.5	3	19
ISO 7379-6-M5-80	6	M5	80	10	9.5	4.5	3	21
ISO 7379-8-M6-16	8	M6	16	13	10	5.5	4	14
ISO 7379-8-M6-20	8	M6	20	13	10	5.5	4	15
ISO 7379-8-M6-25	8	M6	25	13	10	5.5	4	16
ISO 7379-8-M6-30	8	M6	30	13	10	5.5	4	18
ISO 7379-8-M6-35	8	M6	35	13	10	5.5	4	19
ISO 7379-8-M6-40	8	M6	40	13	10	5.5	4	21
ISO 7379-8-M6-45	8	M6	45	13	10	5.5	4	25
ISO 7379-8-M6-50	8	M6	50	13	10	5.5	4	26
ISO 7379-8-M6-55	8	M6	55	13	10	5.5	4	28
ISO 7379-8-M6-60	8	M6	60	13	10	5.5	4	30
ISO 7379-8-M6-65	8	M6	65	13	10	5.5	4	32
ISO 7379-8-M6-70	8	M6	70	13	10	5.5	4	34
ISO 7379-8-M6-80	8	M6	80	13	10	5.5	4	38
ISO 7379-8-M6-90	8	M6	90	13	10	5.5	4	42
ISO 7379-8-M6-100	8	M6	100	13	10	5.5	4	47
ISO 7379-10-M8-16	10	M8	16	16	13	7	5	23
ISO 7379-10-M8-20	10	M8	20	16	13	7	5	25
ISO 7379-10-M8-25	10	M8	25	16	13	7	5	29
ISO 7379-10-M8-30	10	M8	30	16	13	7	5	31
ISO 7379-10-M8-35	10	M8	35	16	13	7	5	33
ISO 7379-10-M8-40	10	M8	40	16	13	7	5	41
ISO 7379-10-M8-45	10	M8	45	16	13	7	5	43

ISO 7379

Description	d1 f9	d2	l ₁ +0.25	d3	l ₂	l ₃	A/F	⚙
ISO 7379-10-M8-50	10	M8	50	16	13	7	5	45
ISO 7379-10-M8-55	10	M8	55	16	13	7	5	47
ISO 7379-10-M8-60	10	M8	60	16	13	7	5	50
ISO 7379-10-M8-65	10	M8	65	16	13	7	5	53
ISO 7379-10-M8-70	10	M8	70	16	13	7	5	56
ISO 7379-10-M8-80	10	M8	80	16	13	7	5	62
ISO 7379-10-M8-90	10	M8	90	16	13	7	5	68
ISO 7379-10-M8-100	10	M8	100	16	13	7	5	75
ISO 7379-12-M10-16	12	M10	16	18	16	9	6	35
ISO 7379-12-M10-20	12	M10	20	18	16	9	6	39
ISO 7379-12-M10-25	12	M10	25	18	16	9	6	43
ISO 7379-12-M10-30	12	M10	30	18	16	9	6	47
ISO 7379-12-M10-35	12	M10	35	18	16	9	6	51
ISO 7379-12-M10-40	12	M10	40	18	16	9	6	56
ISO 7379-12-M10-45	12	M10	45	18	16	9	6	60
ISO 7379-12-M10-50	12	M10	50	18	16	9	6	65
ISO 7379-12-M10-55	12	M10	55	18	16	9	6	71
ISO 7379-12-M10-60	12	M10	60	18	16	9	6	76
ISO 7379-12-M10-65	12	M10	65	18	16	9	6	75
ISO 7379-12-M10-70	12	M10	70	18	16	9	6	83
ISO 7379-12-M10-80	12	M10	80	18	16	9	6	91
ISO 7379-12-M10-90	12	M10	90	18	16	9	6	96
ISO 7379-12-M10-100	12	M10	100	18	16	9	6	100
ISO 7379-16-M12-25	16	M12	25	24	18	11	8	85
ISO 7379-16-M12-30	16	M12	30	24	18	11	8	93
ISO 7379-16-M12-35	16	M12	35	24	18	11	8	100
ISO 7379-16-M12-40	16	M12	40	24	18	11	8	108
ISO 7379-16-M12-45	16	M12	45	24	18	11	8	116
ISO 7379-16-M12-50	16	M12	50	24	18	11	8	123
ISO 7379-16-M12-55	16	M12	55	24	18	11	8	131
ISO 7379-16-M12-60	16	M12	60	24	18	11	8	140
ISO 7379-16-M12-65	16	M12	65	24	18	11	8	148
ISO 7379-16-M12-70	16	M12	70	24	18	11	8	155
ISO 7379-16-M12-80	16	M12	80	24	18	11	8	170
ISO 7379-16-M12-90	16	M12	90	24	18	11	8	186
ISO 7379-16-M12-100	16	M12	100	24	18	11	8	200
ISO 7379-20-M16-30	20	M16	30	30	22	14	10	169
ISO 7379-20-M16-35	20	M16	35	30	22	14	10	180
ISO 7379-20-M16-40	20	M16	40	30	22	14	10	190
ISO 7379-20-M16-45	20	M16	45	30	22	14	10	205
ISO 7379-20-M16-50	20	M16	50	30	22	14	10	220
ISO 7379-20-M16-55	20	M16	55	30	22	14	10	230
ISO 7379-20-M16-60	20	M16	60	30	22	14	10	234
ISO 7379-20-M16-65	20	M16	65	30	22	14	10	260
ISO 7379-20-M16-70	20	M16	70	30	22	14	10	266
ISO 7379-20-M16-80	20	M16	80	30	22	14	10	293
ISO 7379-20-M16-90	20	M16	90	30	22	14	10	315
ISO 7379-20-M16-100	20	M16	100	30	22	14	10	340
ISO 7379-24-M20-50	24	M20	50	36	27	16	12	340
ISO 7379-24-M20-55	24	M20	55	36	27	16	12	360
ISO 7379-24-M20-60	24	M20	60	36	27	16	12	370
ISO 7379-24-M20-65	24	M20	65	36	27	16	12	400
ISO 7379-24-M20-70	24	M20	70	36	27	16	12	410
ISO 7379-24-M20-80	24	M20	80	36	27	16	12	450
ISO 7379-24-M20-90	24	M20	90	36	27	16	12	480
ISO 7379-24-M20-100	24	M20	100	36	27	16	12	520

Cylinder head shoulder bolts

SPECIFICATION

Steel **ST**

- Tensile strength class 5.8
- blackened
- case hardened (all round depth 0.2 to 0.4 mm)

INFORMATION

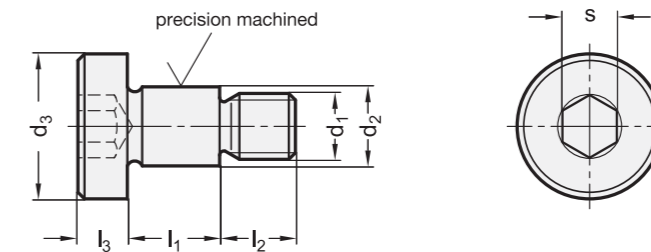
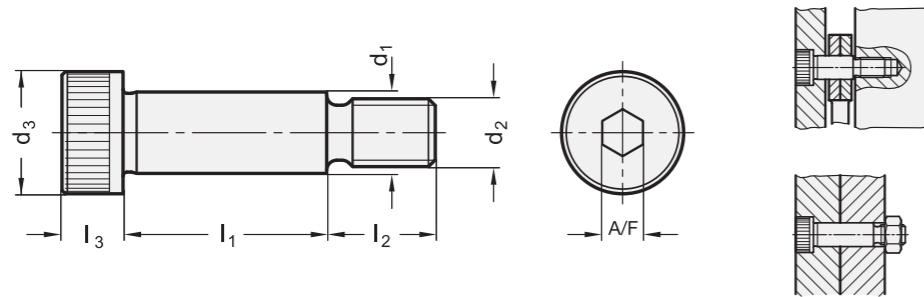
The dimensions d2 / l1 of the cylinder head shoulder bolts GN 732.1 permit a use as bearing pin for swing bolts DIN 444 (see page 935), swing nuts GN 444.2 (see page 936) and hub with eccentric cam GN 919 (see page 1055).

TECHNICAL INFORMATION

- Strength values of screws (see page A20)



Examples of application



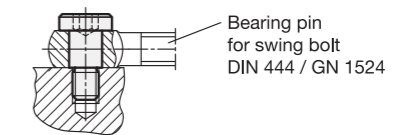
ISO 7379-NI STAINLESS STEEL

Description	d1 f9	d2	l1 +0.25	d3	l2	l3	A/F	⚙️
ISO 7379-4-M3-4-NI	4	M3	4	7	7	3	2	1
ISO 7379-4-M3-5-NI	4	M3	5	7	7	3	2	2
ISO 7379-4-M3-6-NI	4	M3	6	7	7	3	2	2
ISO 7379-4-M3-8-NI	4	M3	8	7	7	3	2	2
ISO 7379-4-M3-10-NI	4	M3	10	7	7	3	2	2
ISO 7379-4-M3-12-NI	4	M3	12	7	7	3	2	2
ISO 7379-4-M3-16-NI	4	M3	16	7	7	3	2	3
ISO 7379-5-M4-5-NI	5	M4	5	9	8	4	2.5	3
ISO 7379-5-M4-6-NI	5	M4	6	9	8	4	2.5	3
ISO 7379-5-M4-8-NI	5	M4	8	9	8	4	2.5	4
ISO 7379-5-M4-10-NI	5	M4	10	9	8	4	2.5	4
ISO 7379-5-M4-12-NI	5	M4	12	9	8	4	2.5	4
ISO 7379-5-M4-16-NI	5	M4	16	9	8	4	2.5	5
ISO 7379-5-M4-20-NI	5	M4	20	9	8	4	2.5	5
ISO 7379-5-M4-25-NI	5	M4	25	9	8	4	2.5	6
ISO 7379-5-M4-30-NI	5	M4	30	9	8	4	2.5	7
ISO 7379-6-M5-10-NI	6	M5	10	10	9.5	4.5	3	6
ISO 7379-6-M5-12-NI	6	M5	12	10	9.5	4.5	3	6
ISO 7379-6-M5-16-NI	6	M5	16	10	9.5	4.5	3	7
ISO 7379-6-M5-20-NI	6	M5	20	10	9.5	4.5	3	8
ISO 7379-6-M5-25-NI	6	M5	25	10	9.5	4.5	3	10
ISO 7379-6-M5-30-NI	6	M5	30	10	9.5	4.5	3	10
ISO 7379-6-M5-40-NI	6	M5	40	10	9.5	4.5	3	12
ISO 7379-6-M5-50-NI	6	M5	50	10	9.5	4.5	3	14
ISO 7379-6-M5-60-NI	6	M5	60	10	9.5	4.5	3	14
ISO 7379-8-M6-16-NI	8	M6	16	13	11	5.5	4	8
ISO 7379-8-M6-20-NI	8	M6	20	13	11	5.5	4	12
ISO 7379-8-M6-25-NI	8	M6	25	13	11	5.5	4	16
ISO 7379-8-M6-30-NI	8	M6	30	13	11	5.5	4	18
ISO 7379-8-M6-40-NI	8	M6	40	13	11	5.5	4	21
ISO 7379-8-M6-50-NI	8	M6	50	13	11	5.5	4	26
ISO 7379-8-M6-60-NI	8	M6	60	13	11	5.5	4	27

ISO 7379-NI STAINLESS STEEL

Description	d1 f9	d2	l1 +0.25	d3	l2	l3	A/F	⚙️
ISO 7379-10-M8-16-NI	10	M8	16	16	13	7	5	23
ISO 7379-10-M8-20-NI	10	M8	20	16	13	7	5	25
ISO 7379-10-M8-25-NI	10	M8	25	16	13	7	5	29
ISO 7379-10-M8-30-NI	10	M8	30	16	13	7	5	32
ISO 7379-10-M8-40-NI	10	M8	40	16	13	7	5	41
ISO 7379-10-M8-50-NI	10	M8	50	16	13	7	5	45
ISO 7379-10-M8-60-NI	10	M8	60	16	13	7	5	50
ISO 7379-10-M8-70-NI	10	M8	70	16	13	7	5	56
ISO 7379-10-M8-80-NI	10	M8	80	16	13	7	5	62
ISO 7379-10-M8-90-NI	10	M8	90	16	13	7	5	68
ISO 7379-10-M8-100-NI	10	M8	100	16	13	7	5	75
ISO 7379-12-M10-16-NI	12	M10	16	18	16	9	6	35
ISO 7379-12-M10-20-NI	12	M10	20	18	16	9	6	39
ISO 7379-12-M10-25-NI	12	M10	25	18	16	9	6	43
ISO 7379-12-M10-30-NI	12	M10	30	18	16	9	6	47
ISO 7379-12-M10-40-NI	12	M10	40	18	16	9	6	56
ISO 7379-12-M10-50-NI	12	M10	50	18	16	9	6	65
ISO 7379-12-M10-60-NI	12	M10	60	18	16	9	6	76
ISO 7379-12-M10-70-NI	12	M10	70	18	16	9	6	86
ISO 7379-12-M10-80-NI	12	M10	80	18	16	9	6	91
ISO 7379-12-M10-90-NI	12	M10	90	18	16	9	6	96
ISO 7379-12-M10-100-NI	12	M10	100	18	16	9	6	100
ISO 7379-16-M12-30-NI	16	M12	30	24	18	11	8	93
ISO 7379-16-M12-40-NI	16	M12	40	24	18	11	8	110
ISO 7379-16-M12-50-NI	16	M12	50	24	18	11	8	123
ISO 7379-16-M12-60-NI	16	M12	60	24	18	11	8	136
ISO 7379-16-M12-70-NI	16	M12	70	24	18	11	8	155
ISO 7379-16-M12-80-NI	16	M12	80	24	18	11	8	170
ISO 7379-16-M12-90-NI	16	M12	90	24	18	11	8	186
ISO 7379-16-M12-100-NI	16	M12	100	24	18	11	8	200

Application example



GN 732.1

Description	d1	d2	l1 +0.20/+0.13	d3	l2	l3	s	⚙️
GN 732.1-M5-6-5-ST	M5	6 -0.03/-0.05	5	12	7	3	3	4
GN 732.1-M5-6-6-ST	M5	6 -0.03/-0.05	6	12	7	3	3	4
GN 732.1-M5-6-7-ST	M5	6 -0.03/-0.05	7	12	7	3	3	5
GN 732.1-M5-6-8-ST	M5	6 -0.03/-0.05	8	12	7	3	3	5
GN 732.1-M6-8-5-ST	M6	8 -0.05/-0.08	5	14	8	4	4	8
GN 732.1-M6-8-6-ST	M6	8 -0.05/-0.08	6	14	8	4	4	9
GN 732.1-M6-8-8-ST	M6	8 -0.05/-0.08	8	14	8	4	4	9
GN 732.1-M6-8-9-ST	M6	8 -0.05/-0.08	9	14	8	4	4	9
GN 732.1-M6-8-10-ST	M6	8 -0.05/-0.08	10	14	8	4	4	10
GN 732.1-M6-8-12-ST	M6	8 -0.05/-0.08	12	14	8	4	4	10
GN 732.1-M6-8-13-ST	M6	8 -0.05/-0.08	13	14	8	4	4	11
GN 732.1-M8-10-8-ST	M8	10 -0.05/-0.08	8	16	11	5	5	15
GN 732.1-M8-10-10-ST	M8	10 -0.05/-0.08	10	16	11	5	5	17
GN 732.1-M8-10-12-ST	M8	10 -0.05/-0.08	12	16	11	5	5	18
GN 732.1-M8-10-14-ST	M8	10 -0.05/-0.08	14	16	11	5	5	18
GN 732.1-M8-10-15-ST	M8	10 -0.05/-0.08	15	16	11	5	5	19
GN 732.1-M10-12-12-ST	M10	12 -0.05/-0.08	12	19	13	6	6	29
GN 732.1-M10-12-14-ST	M10	12 -0.05/-0.08	14	19	13	6	6	30
GN 732.1-M10-12-16-ST	M10	12 -0.05/-0.08	16	19	13	6	6	33
GN 732.1-M10-12-17-ST	M10	12 -0.05/-0.08	17	19	13	6	6	33
GN 732.1-M12-14-14-ST	M12	14 -0.05/-0.08	14	22	16	8	8	49
GN 732.1-M12-14-16-ST	M12	14 -0.05/-0.08	16	22	16	8	8	51
GN 732.1-M12-14-18-ST	M12	14 -0.05/-0.08	18	22	16	8	8	53

Grub screws

with hardened pivot

SPECIFICATION

Types

- Type **A**: Semi-spherical pivot
- Type **B**: Pointed pivot

Steel

- Tensile strength class 5.8
- blackened

Thrust pivot
hardened

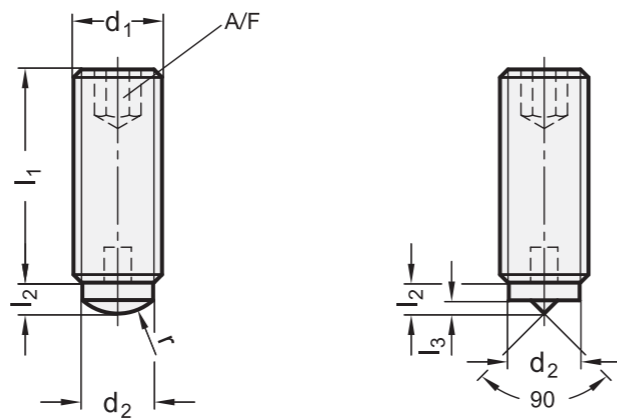
INFORMATION

Grub screws GN 913.2 with hardened spherical pivot (Type A) are used in such cases where point contact is required. They are a lower cost alternative to ball point screws GN 605 (see page 928).

Grub screws GN 913.2 with hardened pointed pivot (Type B) offer an alternative form of finish.

TECHNICAL INFORMATION

- Strength values of screws (see page A20)



*Complete with type index of the Grub screws

A Semi-spherical pad **B** Pointed pad

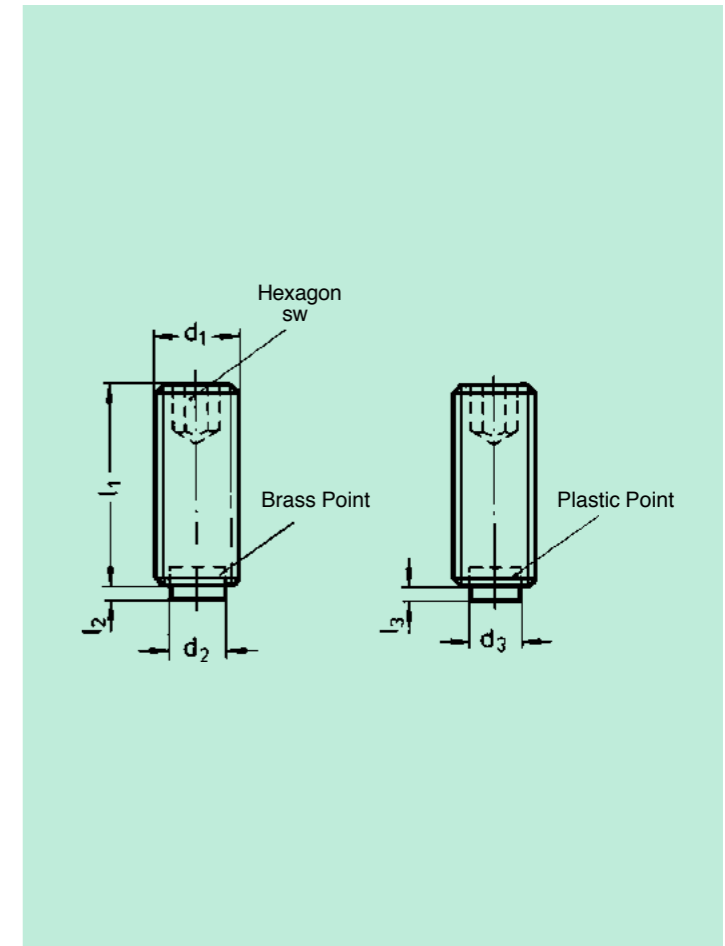
GN 913.2

Description	d1	l1	d2	l2	l3	r	A/F	⚖️
GN 913.2-M5-8-*	M 5	8	3	1	0.5	2.5	2.5	1
GN 913.2-M5-12-*	M 5	12	3	1	0.5	2.5	2.5	1
GN 913.2-M5-16-*	M 5	16	3	1	0.5	2.5	2.5	1
GN 913.2-M5-20-*	M 5	20	3	1	0.5	2.5	2.5	2
GN 913.2-M6-12-*	M 6	12	4	1.8	0.8	3	3	2
GN 913.2-M6-16-*	M 6	16	4	1.8	0.8	3	3	3
GN 913.2-M6-20-*	M 6	20	4	1.8	0.8	3	3	3
GN 913.2-M6-25-*	M 6	25	4	1.8	0.8	3	3	4
GN 913.2-M8-12-*	M 8	12	6	2.5	1	5	4	3
GN 913.2-M8-16-*	M 8	16	6	2.5	1	5	4	5
GN 913.2-M8-20-*	M 8	20	6	2.5	1	5	4	6
GN 913.2-M8-25-*	M 8	25	6	2.5	1	5	4	7
GN 913.2-M8-32-*	M 8	32	6	2.5	1	5	4	9
GN 913.2-M10-16-*	M 10	16	8	3.5	1.5	6	5	7
GN 913.2-M10-20-*	M 10	20	8	3.5	1.5	6	5	9
GN 913.2-M10-25-*	M 10	25	8	3.5	1.5	6	5	11
GN 913.2-M10-32-*	M 10	32	8	3.5	1.5	6	5	15
GN 913.2-M10-40-*	M 10	40	8	3.5	1.5	6	5	18

Weight type A

Thread Pins

with Brass resp. Plastic Point



Through the application of thread pins with pressure point of brass resp. plastic, marks or damages in the tension surface can be prevented. Thread pins are also suitable for combinations with grip elements.

Model: Steel, stability class 5.8, black oxide finished. Pressure point from brass (MS) resp. plastic (KU) Delrin.

Thread Pins with Brass resp. Plastic Point

Order No.	Order No.	d1	Length of Screw l1 (mm)				d2	d3	l2	l3	sw					
Brass Point	Plastic Point					Brass Point	Plastic Point	Brass Point	Plastic Point							
51 04 ... E5A	51 04 ... KU	M 4	6	8	10	16	20	2,5	2	0,5	1	2				
51 05 ... E5A	51 05 ... KU	M 5		8	10	16	20	3	3	0,5	1	2,5				
51 06 ... E5A	51 06 ... KU	M 6			10	16	20	4	3,5	1	1,3	3				
51 08 ... E5A	51 08 ... KU	M 8				12	20	32	50	63	1,5	1,6	4			
51 10 ... E5A	51 10 ... KU	M 10					16	20	32	50	63	8	6,5	2	1,9	5
51 12 ... E5A	51 12 ... KU	M 12						20	32	50	63	10	8	2	2,1	6

... Please indicate here the desired length of screw e.g. 025 for l1 = 25 mm.

Stainless Steel-Grub screws

with brass / plastic pivot

SPECIFICATION

Screw
Stainless Steel AISI 303

Thrust pivot

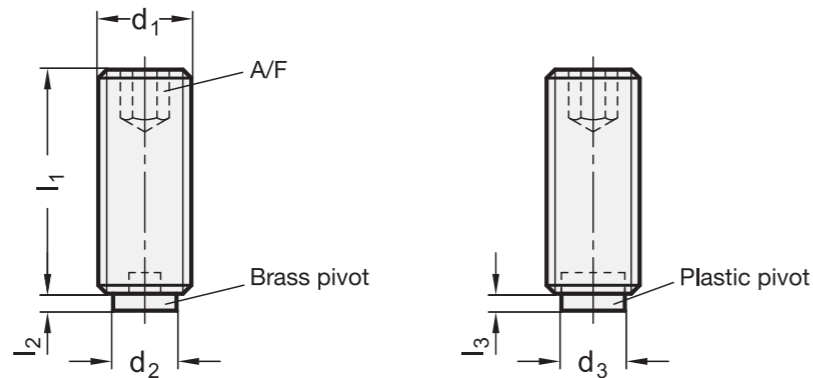
- Brass **MS**
- Plastic (Polyacetal POM) **KU**

INFORMATION

Stainless Steel-Grub screws GN 913.5 with pivots in brass or plastic are used in applications, where marks and damage on the workpiece are unacceptable.

TECHNICAL INFORMATION

- Stainless Steel characteristics (see page A26)
- Plastic characteristics (see page A2)



* Complete with type index of the Grub screws

MS	KU
Brass	Plastic

GN 913.5 STAINLESS STEEL

Description	d1	l1	d2	d3	l2	l3	A/F	⚖
GN 913.5-M3-3-*	M3	3	1.9	1.5	0.5	0.8	1.5	1
GN 913.5-M3-4-*	M3	4	1.9	1.5	0.5	0.8	1.5	1
GN 913.5-M3-5-*	M3	5	1.9	1.5	0.5	0.8	1.5	1
GN 913.5-M3-6-*	M3	6	1.9	1.5	0.5	0.8	1.5	1
GN 913.5-M3-8-*	M3	8	1.9	1.5	0.5	0.8	1.5	1
GN 913.5-M3-10-*	M3	10	1.9	1.5	0.5	0.8	1.5	1
GN 913.5-M4-4-*	M4	4	2.5	2	0.5	1.2	1.5	1
GN 913.5-M4-5-*	M4	5	2.5	2	0.5	1	1.5	1
GN 913.5-M4-6-*	M4	6	2.5	2	0.5	1	2	1
GN 913.5-M4-8-*	M4	8	2.5	2	0.5	1	2	1
GN 913.5-M4-10-*	M4	10	2.5	2	0.5	1	2	1
GN 913.5-M4-12-*	M4	12	2.5	2	0.5	1	2	1
GN 913.5-M4-16-*	M4	16	2.5	2	0.5	1	2	1
GN 913.5-M5-5-*	M5	5	3	3	0.5	1	2	1
GN 913.5-M5-6-*	M5	6	3	3	0.5	1	2	1
GN 913.5-M5-8-*	M5	8	3	3	0.5	1	2.5	1
GN 913.5-M5-10-*	M5	10	3	3	0.5	1	2.5	1
GN 913.5-M5-12-*	M5	12	3	3	0.5	1	2.5	1
GN 913.5-M5-16-*	M5	16	3	3	0.5	1	2.5	2
GN 913.5-M5-20-*	M5	20	3	3	0.5	1	2.5	2
GN 913.5-M6-6-*	M6	6	4	3.5	1	1.3	3	1
GN 913.5-M6-8-*	M6	8	4	3.5	1	1.3	3	1
GN 913.5-M6-10-*	M6	10	4	3.5	1	1.3	3	1
GN 913.5-M6-12-*	M6	12	4	3.5	1	1.3	3	2

GN 913.5 STAINLESS STEEL

Description	d1	l1	d2	d3	l2	l3	A/F	⚖
GN 913.5-M6-16-*	M6	16	4	3.5	1	1.3	3	2
GN 913.5-M6-20-*	M6	20	4	3.5	1	1.3	3	3
GN 913.5-M6-25-*	M6	25	4	3.5	1	1.3	3	4
GN 913.5-M6-32-*	M6	32	4	3.5	1	1.3	3	5
GN 913.5-M8-8-*	M8	8	6	5	1.5	1.6	4	1
GN 913.5-M8-10-*	M8	10	6	5	1.5	1.6	4	1
GN 913.5-M8-12-*	M8	12	6	5	1.5	1.6	4	2
GN 913.5-M8-16-*	M8	16	6	5	1.5	1.6	4	4
GN 913.5-M8-20-*	M8	20	6	5	1.5	1.6	4	5
GN 913.5-M8-25-*	M8	25	6	5	1.5	1.6	4	7
GN 913.5-M8-32-*	M8	32	6	5	1.5	1.6	4	6
GN 913.5-M8-40-*	M8	40	6	5	1.5	1.6	4	9
GN 913.5-M10-16-*	M10	16	8	6.5	2	1.9	5	5
GN 913.5-M10-20-*	M10	20	8	6.5	2	1.9	5	8
GN 913.5-M10-25-*	M10	25	8	6.5	2	1.9	5	10
GN 913.5-M10-32-*	M10	32	8	6.5	2	1.9	5	15
GN 913.5-M10-40-*	M10	40	8	6.5	2	1.9	5	17
GN 913.5-M10-50-*	M10	50	8	6.5	2	1.9	5	22
GN 913.5-M12-20-*	M12	20	10	8	2	2.1	6	9
GN 913.5-M12-25-*	M12	25	10	8	2	2.1	6	13
GN 913.5-M12-32-*	M12	32	10	8	2	2.1	6	18
GN 913.5-M12-40-*	M12	40	10	8	2	2.1	6	24
GN 913.5-M12-50-*	M12	50	10	8	2	2.1	6	30
GN 913.5-M12-63-*	M12	63	10	8	2	2.1	6	40

Protective caps

SPECIFICATION

Types

- Type **A**: Protective cap without screw / threaded bushing
- Type **B**: Protective cap with threaded bushing

Protective cap

Rubber (CR)

- Hardness 85±5 Shore A
- black

Threaded bushing

Steel

zinc plated, blue passivated

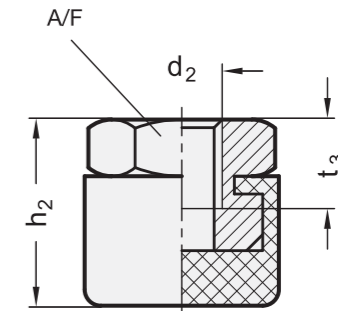
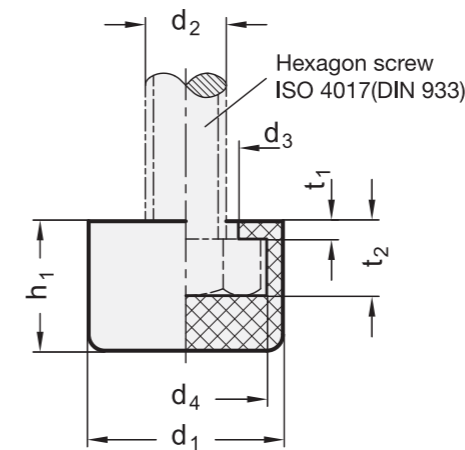


INFORMATION

Protective caps GN 806 can be used with hexagon screws ISO 4017 or together with threaded pins type B as thrust pins with soft clamping head surface, or as soft end stop bolts. A typical application is in conjunction with toggle clamps.

TECHNICAL INFORMATION

- Elastomer characteristics (see page A32)



GN 806

Description	d1	d2	d3	d4	h1	h2	A/F	t1	t2	t3 min.	⚖
GN 806-11-A	11*	M 4	5.5	8.2	6.5	-	-	1	4	-	1
GN 806-12-A	12	M 5	7	9.3	8	-	-	1.5	5.3	-	1
GN 806-15-A	15	M 6	8.5	11.5	10	-	-	2	6	-	2
GN 806-19-A	19	M 8	11	15	13	-	-	2	7.5	-	3
GN 806-24-A	24	M 10	13	20	16	-	-	2.2	9.2	-	6
GN 806-26-A	26	M 12	16	22	19	-	-	2.5	10.5	-	9
GN 806-12-B	12	M 5	7	9.3	8	11	10	1.5	5.3	6	4
GN 806-15-B	15	M 6	8.5	11.5	10	14	12	2	6	7	7
GN 806-19-B	19	M 8	11	15	13	18	16	2	7.5	8.5	16
GN 806-24-B	24	M 10	13	20	16	23.5	21	2.2	9.2	10	38
GN 806-26-B	26	M 12	16	22	19	26	22	2.5	10.5	12	43

* Protective caps d1 = 11 are not available in Type B (with a threaded bush)

Setting bolts

SPECIFICATION

Types

- Type **AK**: Locating surface with rounded end, hardened
- Type **BK**: Locating surface with Polyurethan disc

Screw

Steel, tensile strength class 5.8

Type AK

blackened

Locating surface, hardened (HRC 45)

Type BK

nickel plated

Polyurethan disc, 90 Shore

Hexagon nut

Steel zinc plated, blue passivated

INFORMATION

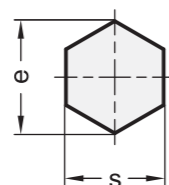
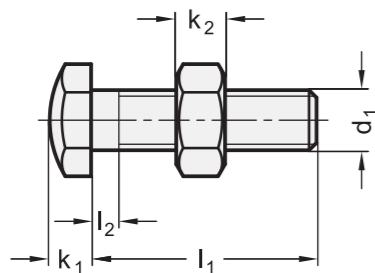
Setting bolts GN 251 are produced with a hardened and rounded head which can be used as support or setting bolt as an end stop. The version with Polyurethan disc (Type BK) functions as damping element or protection for sensitive surfaces.

TECHNICAL INFORMATION

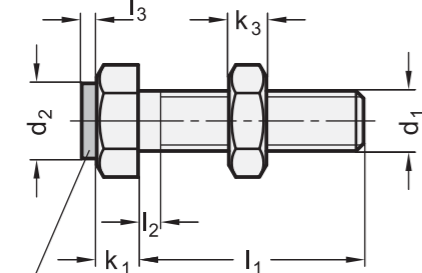
- Strength values of screws (see page A20)



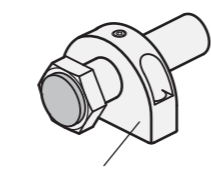
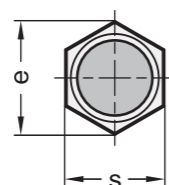
Type AK



Type BK



PU disc



Mounting block GN 412.1

GN 251-AK

Description	d1	l1	e	k1	k2	l2 max.	s	△
GN 251-M3-10-AK	M 3	10	6.4	2	2.4	1.5	5.5	1
GN 251-M3-15-AK	M 3	15	6.4	2	2.4	1.5	5.5	1
GN 251-M3-20-AK	M 3	20	6.4	2	2.4	1.5	5.5	2
GN 251-M3-25-AK	M 3	25	6.4	2	2.4	1.5	5.5	2
GN 251-M3-30-AK	M 3	30	6.4	2	2.4	1.5	5.5	2
GN 251-M4-10-AK	M 4	10	8.1	2.8	3.2	2.1	7	2
GN 251-M4-15-AK	M 4	15	8.1	2.8	3.2	2.1	7	3
GN 251-M4-20-AK	M 4	20	8.1	2.8	3.2	2.1	7	3
GN 251-M4-25-AK	M 4	25	8.1	2.8	3.2	2.1	7	3
GN 251-M4-30-AK	M 4	30	8.1	2.8	3.2	2.1	7	4
GN 251-M4-35-AK	M 4	35	8.1	2.8	3.2	2.1	7	4
GN 251-M4-40-AK	M 4	40	8.1	2.8	3.2	2.1	7	4
GN 251-M5-10-AK	M 5	10	9.2	3.5	4	2.4	8	4
GN 251-M5-15-AK	M 5	15	9.2	3.5	4	2.4	8	4
GN 251-M5-20-AK	M 5	20	9.2	3.5	4	2.4	8	5
GN 251-M5-25-AK	M 5	25	9.2	3.5	4	2.4	8	5
GN 251-M5-30-AK	M 5	30	9.2	3.5	4	2.4	8	6
GN 251-M5-35-AK	M 5	35	9.2	3.5	4	2.4	8	6
GN 251-M5-40-AK	M 5	40	9.2	3.5	4	2.4	8	7
GN 251-M5-50-AK	M 5	50	9.2	3.5	4	2.4	8	8
GN 251-M6-15-AK	M 6	15	11.5	4	5	3	10	7
GN 251-M6-20-AK	M 6	20	11.5	4	5	3	10	8
GN 251-M6-25-AK	M 6	25	11.5	4	5	3	10	9
GN 251-M6-30-AK	M 6	30	11.5	4	5	3	10	10
GN 251-M6-35-AK	M 6	35	11.5	4	5	3	10	11
GN 251-M6-40-AK	M 6	40	11.5	4	5	3	10	12
GN 251-M6-50-AK	M 6	50	11.5	4	5	3	10	14
GN 251-M8-15-AK	M 8	15	15	5.5	6.5	3.7	13	15
GN 251-M8-20-AK	M 8	20	15	5.5	6.5	3.7	13	16
GN 251-M8-25-AK	M 8	25	15	5.5	6.5	3.7	13	18
GN 251-M8-30-AK	M 8	30	15	5.5	6.5	3.7	13	19
GN 251-M8-35-AK	M 8	35	15	5.5	6.5	3.7	13	20
GN 251-M8-40-AK	M 8	40	15	5.5	6.5	3.7	13	23
GN 251-M8-50-AK	M 8	50	15	5.5	6.5	3.7	13	27
GN 251-M8-60-AK	M 8	60	15	5.5	6.5	3.7	13	28
GN 251-M8-70-AK	M 8	70	15	5.5	6.5	3.7	13	32
GN 251-M8-80-AK	M 8	80	15	5.5	6.5	3.7	13	35
GN 251-M10-30-AK	M 10	30	19.6	7	8	4.5	17	36
GN 251-M10-35-AK	M 10	35	19.6	7	8	4.5	17	36
GN 251-M10-40-AK	M 10	40	19.6	7	8	4.5	17	36
GN 251-M10-50-AK	M 10	50	19.6	7	8	4.5	17	48
GN 251-M10-60-AK	M 10	60	19.6	7	8	4.5	17	54
GN 251-M10-70-AK	M 10	70	19.6	7	8	4.5	17	61
GN 251-M10-80-AK	M 10	80	19.6	7	8	4.5	17	61
GN 251-M12-30-AK	M 12	30	21.9	8	10	5.2	19	53
GN 251-M12-35-AK	M 12	35	21.9	8	10	5.2	19	56
GN 251-M12-40-AK	M 12	40	21.9	8	10	5.2	19	60
GN 251-M12-50-AK	M 12	50	21.9	8	10	5.2	19	67
GN 251-M12-60-AK	M 12	60	21.9	8	10	5.2	19	78
GN 251-M12-70-AK	M 12	70	21.9	8	10	5.2	19	87
GN 251-M12-80-AK	M 12	80	21.9	8	10	5.2	19	89
GN 251-M16-50-AK	M 16	50	27.7	10	13	6	24	127
GN 251-M16-60-AK	M 16	60	27.7	10	13	6	24	142
GN 251-M16-70-AK	M 16	70	27.7	10	13	6	24	158
GN 251-M16-80-AK	M 16	80	27.7	10	13	6	24	174

GN 251-BK

Description	d1	l1	d2	e	k1	k3	l2 max.	l3	s	△
GN 251-M4-15-BK	M 4	15	5	8.1	2.8	2.4	2.1	1.5	7	2
GN 251-M4-20-BK	M 4	20	5	8.1	2.8	2.4	2.1	1.5	7	3
GN 251-M4-25-BK	M 4	25	5	8.1	2.8	2.4	2.1	1.5	7	3
GN 251-M4-30-BK	M 4	30	5	8.1	2.8	2.4	2.1	1.5	7	3
GN 251-M4-35-BK	M 4	35	5	8.1	2.8	2.4	2.1	1.5	7	4
GN 251-M4-40-BK	M 4	40	5	8.1	2.8	2.4	2.1	1.5	7	4
GN 251-M5-15-BK	M 5	15	6	9.2	3.5	3.2	2.4	1.5	8	4
GN 251-M5-20-BK	M 5	20	6	9.2	3.5	3.2	2.4	1.5	8	4
GN 251-M5-25-BK	M 5	25	6	9.2	3.5	3.2	2.4	1.5	8	5
GN 251-M5-30-BK	M 5	30	6	9.2	3.5	3.2	2.4	1.5	8	6
GN 251-M5-35-BK	M 5	35	6	9.2	3.5	3.2	2.4	1.5	8	6
GN 251-M5-40-BK	M 5	40	6	9.2	3.5	3.2	2.4	1.5	8	7
GN 251-M6-20-BK	M 6	20	8	11.5	4	3.6	3	2	10	7
GN 251-M6-25-BK	M 6	25	8	11.5	4	3.6	3	2	10	8
GN 251-M6-30-BK	M 6	30	8	11.5	4	3.6	3	2	10	9
GN 251-M6-35-BK	M 6	35	8	11.5	4	3.6	3	2	10	10
GN 251-M6-40-BK	M 6	40	8	11.5	4	3.6	3	2	10	10
GN 251-M6-45-BK	M 6	45	8	11.5	4	3.6	3	2	10	11
GN 251-M6-50-BK	M 6	50	8	11.5	4	3.6	3	2	10	12
GN 251-M8-20-BK	M 8	20	10	15	5.5	5	3.7	2	13	15
GN 251-M8-25-BK	M 8	25	10	15	5.5	5	3.7	2	13	16
GN 251-M8-30-BK	M 8	30	10	15	5.5	5	3.7	2	13	18
GN 251-M8-35-BK	M 8	35	10	15	5.5	5	3.7	2	13	20
GN 251-M8-40-BK	M 8	40	10	15	5.5	5	3.7	2	13	21
GN 251-M8-45-BK	M 8	45	10	15	5.5	5	3.7	2	13	23
GN 251-M8-50-BK	M 8	50	10	15	5.5	5	3.7	2	13	24
GN 251-M10-20-BK	M 10	20	13	19.6	7	6	4.5	2	17	29
GN 251-M10-25-BK	M 10	25	13	19.6	7	6	4.5	2	17	31
GN 251-M10-30-BK	M 10	30	13	19.6	7	6	4.5	2	17	34
GN 251-M10-35-BK	M 10	35	13	19.6	7	6	4.5	2	17	36
GN 251-M10-40-BK	M 10	40	13	19.6	7	6	4.5	2	17	39
GN 251-M10-45-BK	M 10	45	13	19.6	7	6	4.5	2	17	41
GN 251-M10-50-BK	M 10	50	13	19.6	7	6	4.5	2	17	43



Setting bolts

with limit switch

SPECIFICATION

Types

- Type **S**: Normally open
- Type **O**: Normally closed

Bolt Steel

- Tensile strength class 5.8
- Hexagon head hardened to HRC 45
- nickel plated

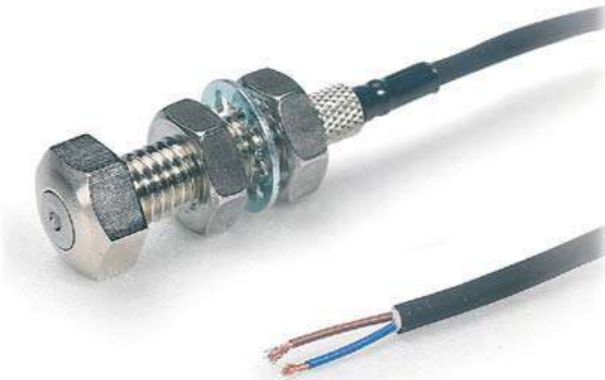
Hexagon nuts Steel nickel plated

End limit switch

- Voltage: 5 ... 24 V DC
- Switching load recom.: 5-10 mA
- Switching load: 20 mA DC max.
- Life expectancy: 3 mio. operations
- Temperature range: -10 °C ... +80 °C
- Load: ~1 N

Supply cable PVC:

- Ø 3 ; 2-phase, ~ 2 meters long
- max. tensile load 30 N
- grey for Type S (normally open)
- black for Type O (normally closed)



INFORMATION

Setting bolts GN 251.2 are supplied with a hardened round head which serves as a firm end stop.

In general these bolts are installed with a locknut.

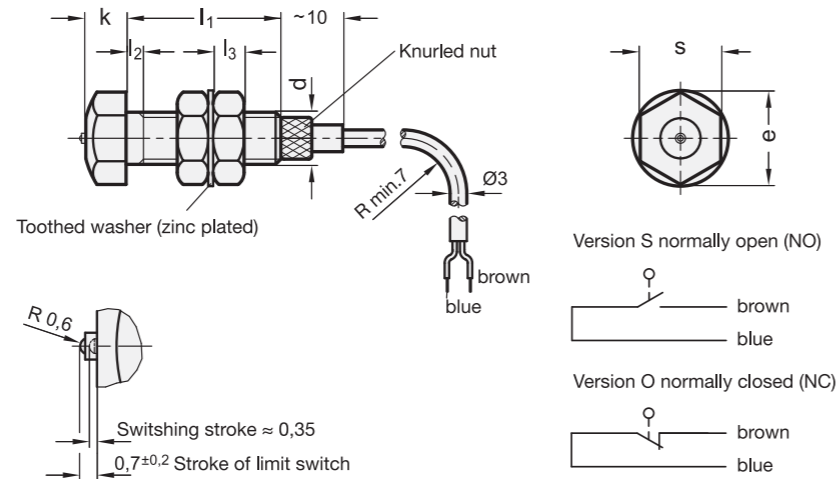
When the workpiece contacts the bolt head an electrical signal is transmitted by means of the limit switch.

By means of the knurled nut, the limit switch can be installed resp. taken out without having the need to loosen the setting bolt.

Operating instructions showing more important technical information are included with every setting bolt.

TECHNICAL INFORMATION

- Strength values of screws (see page A20)
- IP Protection classes (see page A32)



GN 251.2

Description	d	l ₁	e	k	l ₂ max.	l ₃	s	⚖
GN 251.2-M6-21-O	M 6	21	11.5	4	3	3.6	10	50
GN 251.2-M8-25-O	M 8	25	15	7	4	5	13	71
GN 251.2-M10-25-O	M 10	25	19.6	7	4	6	17	80
GN 251.2-M6-21-S	M 6	21	11.5	4	3	3.6	10	44
GN 251.2-M8-25-S	M 8	25	15	7	4	5	13	60
GN 251.2-M10-25-S	M 10	25	19.6	7	4	6	17	80



Stainless Steel- Hexagon head screws

with brass / plastic / spherical pivot

SPECIFICATION

Types

- Type **MS**: Brass pivot
- Type **KU**: Plastic pivot (Polyacetal POM)
- Type **ZK**: Spherical pivot

Hexagon head screw
Stainless Steel AISI 304 (A2)



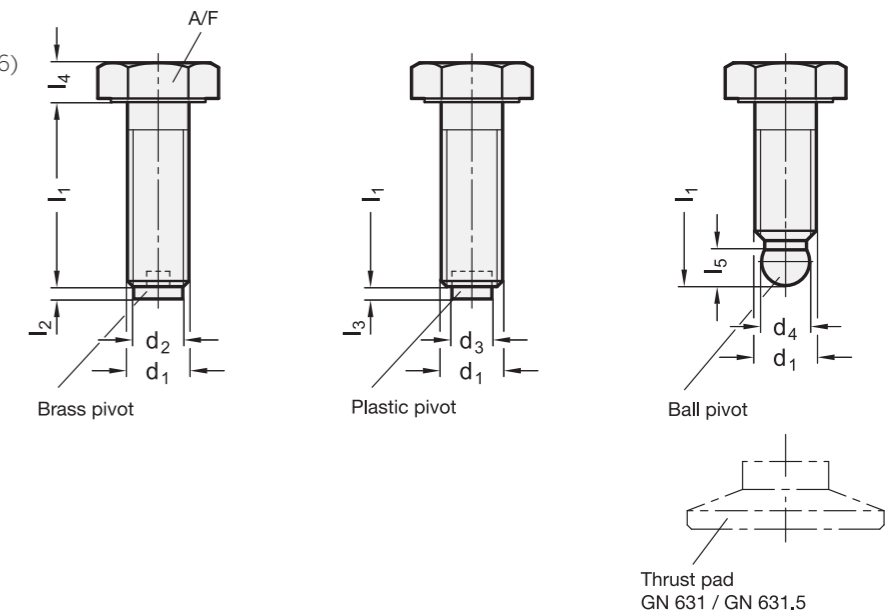
INFORMATION

Stainless Steel-Hexagon head screws GN 933.5 with brass or plastic pivots are used when pressure dents or damage to the clamping surface must be avoided.

Stainless Steel-Hexagon head screws GN 933.5, type ZK, feature a spherical pivot whose diameter d₄ is smaller than the core diameter d₁ of the thread. This makes them suitable for holding thrust pads GN 631 (see page 940) / GN 631.5 (see page 941) which must be ordered separately.

TECHNICAL INFORMATION

- Plastic characteristics (see page A2)
- Stainless Steel characteristics (see page A26)



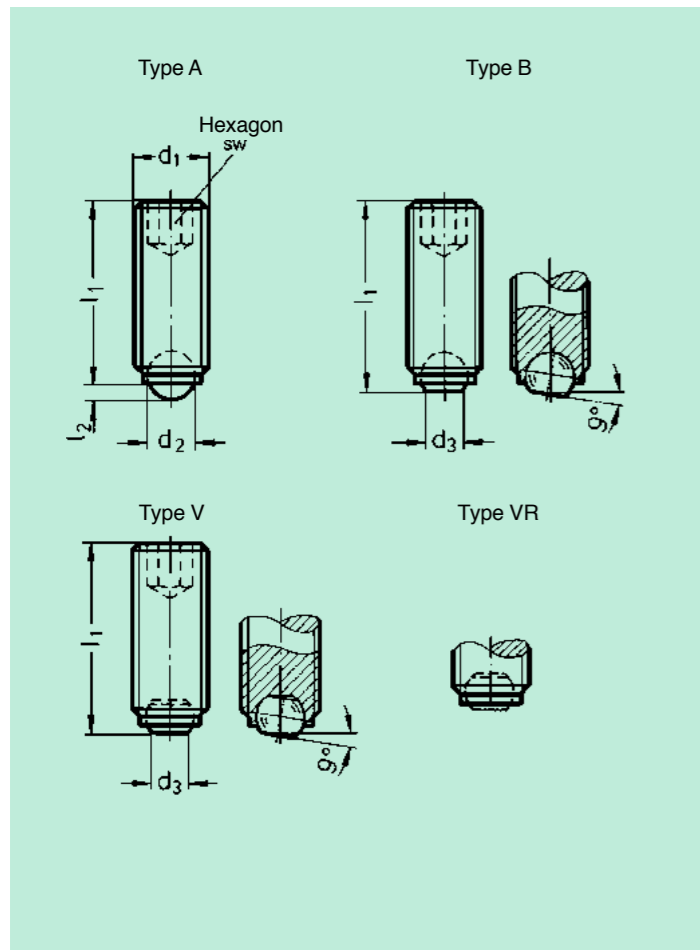
* Complete with type index of the Hexagon head screw

MS	KU	ZK
Brass pivot	Plastic pivot	Spherical pivot

GN 933.5

Description	d ₁	l ₁	d ₂	d ₃	d ₄	l ₂	l ₃	l ₄ ≈	l ₅ ≈	A/F	⚖
GN 933.5-M6-16-*	M 6	16	4	3.5	-	1	1.3	4	-	10	5
GN 933.5-M6-20-*	M 6	20	4	3.5	4.5 ± 0.03	1	1.3	4	5.1	10	6
GN 933.5-M6-25-*	M 6	25	4	3.5	4.5 ± 0.03	1	1.3	4	5.1	10	6
GN 933.5-M6-30-*	M 6	30	4	3.5	4.5 ± 0.03	1	1.3	4	5.1	10	7
GN 933.5-M6-35-*	M 6	35	4	3.5	4.5 ± 0.03	1	1.3	4	5.1	10	8
GN 933.5-M8-20-*	M 8	20	6	5	-	1.5	1.6	5.3	-	13	11
GN 933.5-M8-25-*	M 8	25	6	5	6.1 ± 0.05	1.5	1.6	5.3	6.2	13	13
GN 933.5-M8-30-*	M 8	30	6	5	6.1 ± 0.05	1.5	1.6	5.3	6.2	13	14
GN 933.5-M8-35-*	M 8	35	6	5	6.1 ± 0.05	1.5	1.6	5.3	6.2	13	16
GN 933.5-M8-45-*	M 8	45	6	5	6.1 ± 0.05	1.5	1.6	5.3	6.2	13	19
GN 933.5-M10-25-*	M 10	25	8	6.5	-	2	1.9	6.4	-	17	23
GN 933.5-M10-30-*	M 10	30	8	6.5	7.8 ± 0.05	2	1.9	6.4	7.3	17	25
GN 933.5-M10-35-*	M 10	35	8	6.5	7.8 ± 0.05	2	1.9	6.4	7.3	17	28
GN 933.5-M10-45-*	M 10	45	8	6.5	7.8 ± 0.05	2	1.9	6.4	7.3	17	32
GN 933.5-M10-55-*	M 10	55	8	6.5	7.8 ± 0.05	2	1.9	6.4	7.3	17	37

Weight type MS



Ball Clamping Screws



Ball clamping screws with solid ball (Type A) are used in applications where a ball point contact is required.

The flat faced movable ball allows the clamping or supporting of non parallel surfaces.

The maximum rotating efficiency (Type V/VR) for the ball is only 9°, thereby safely adjusted, so that always tensioned with the surface.

Model: Steel 10.9 or 12.9, black oxide finished. Ball hardened, blank.

Type A: solid ball

Type B: flat ball

Type V: flat ball with safety rotary

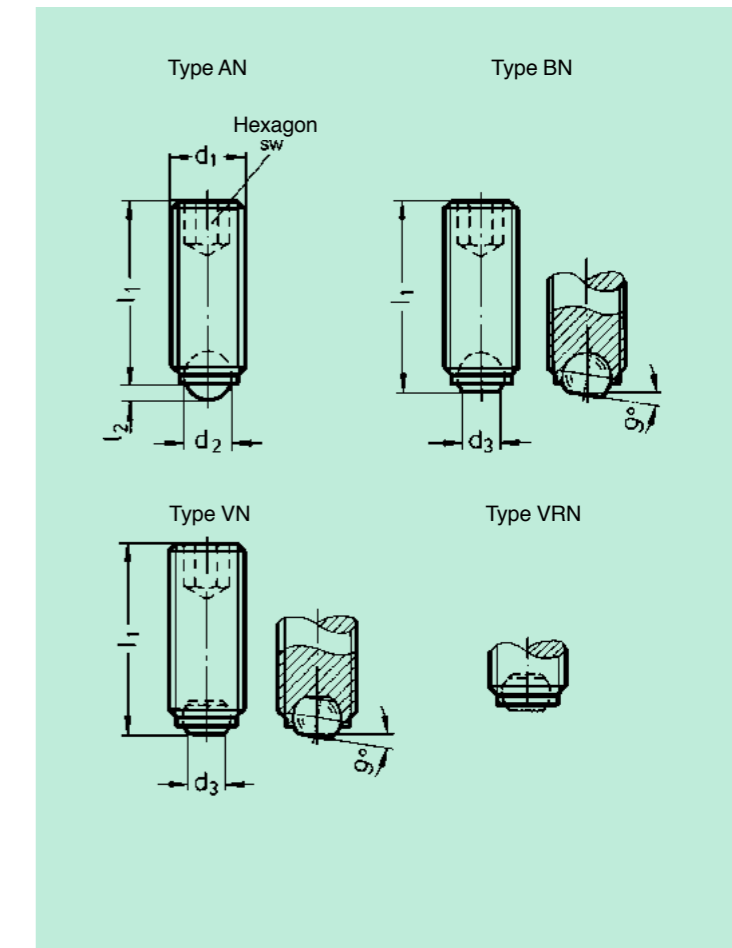
Type VR: flat ball with safety rotary, knurled

Ball clamping screws with head are available on request.

Ball Clamping Screws

Order No.	Order No.	Order No.	Order No.	Thread d ₁	Length of Screw l ₁ (mm)			d ₂ mm	d ₃ mm	l ₂ mm	sw
Type A	Type B	Type V	Type VR								
47 04 .. A				M 4	10	16		2,5	0,4	2	
47 05 .. A				M 5	12	20		3	0,6	2,5	
47 06 .. A	47 06 .. B	47 06 .. V	47 06 .. VR	M 6	10	20	25	4	3,2	0,8	3
47 08 .. A	47 08 .. B	47 08 .. V	47 08 .. VR	M 8	10	20	30	5,5	4,5	1,2	4
47 10 .. A	47 10 .. B	47 10 .. V	47 10 .. VR	M 10	12	20	25	7	6	1,7	5
47 12 .. A	47 12 .. B	47 12 .. V	47 12 .. VR	M 12	16	30	40	8,5	7,2	2	6
47 16 .. A	47 16 .. B	47 16 .. V	47 16 .. VR	M 16	20	50	12	10,7	3,3	8	

..Please indicate here the desired length, e.g. 010 for l₁ = 10 mm



Ball Clamping Screws

from Stainless Steel

INOX



Ball clamping screws with solid ball (Type AN) are used in applications where a ball point contact is required.

The flat faced movable ball allows the clamping or supporting of non-parallel surfaces.

The maximum rotating efficiency (Type VN/VRN) for the ball is only 9°, thereby safely adjusted, so that always tensioned with the surface.

Model: stainless steel 1.4301/1.4006. Ball hardened, blank.

Type AN: solid ball

Type BN: flat ball

Type VN: flat ball with safety rotary

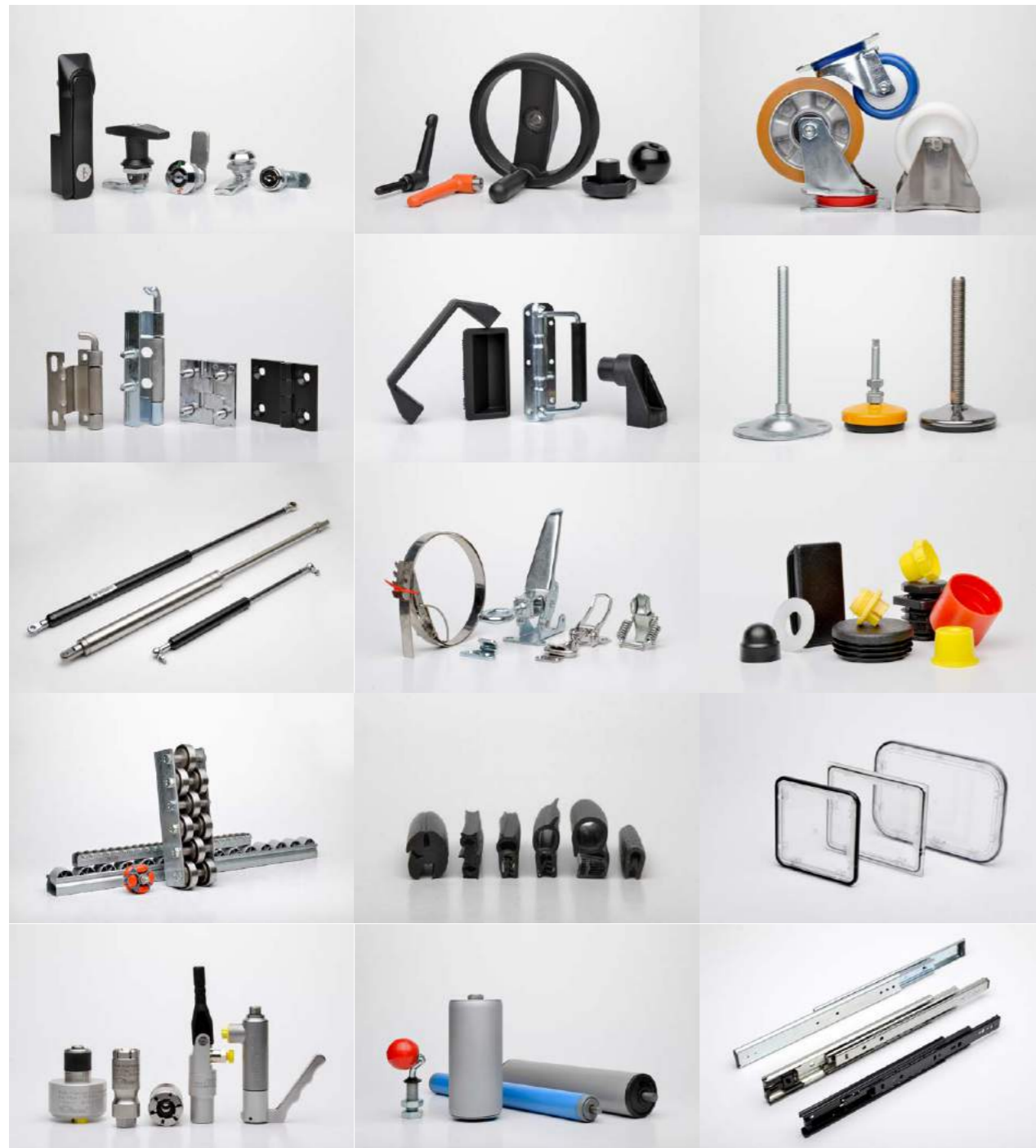
Type VRN: flat ball with safety rotary, knurled

Ball clamping screws with head are available on request.

Ball Clamping Screws - Stainless Steel

Order No.	Order No.	Order No.	Order No.	Thread d ₁	Length of Screw l ₁ (mm)			d ₂ mm	d ₃ mm	l ₂ mm	sw
Type AN	Type BN	Type VN	Type VRN								
47 04 .. AN E0A				M 4	10	16		2,5	0,4	2	
47 05 .. AN E0A				M 5	12	20		3	0,6	2,5	
47 06 .. AN E0A	47 06 .. BN E0A	47 06 .. VN E0A	47 06 .. VRN E0A	M 6	10	20	25	4	3,2	0,8	3
47 08 .. AN E0A	47 08 .. BN E0A	47 08 .. VN E0A	47 08 .. VRN E0A	M 8	10	20	30	5,5	4,5	1,2	4
47 10 .. AN E0A	47 10 .. BN E0A	47 10 .. VN E0A	47 10 .. VRN E0A	M 10	12	20	25	7	6	1,7	5
47 12 .. AN E0A	47 12 .. BN E0A	47 12 .. VN E0A	47 12 .. VRN E0A	M 12	16	30	40	8,5	7,2	2	6
47 16 .. AN E0A	47 16 .. BN E0A	47 16 .. VN E0A	47 16 .. VRN E0A	M 16	20	50	12	10,	3,3	8	

..Please indicate here the desired length, e.g. 010 for l₁ = 10 mm



Ball point screws

Steel / Stainless Steel

SPECIFICATION

Version in Steel

Types

- Type **A**: full ball
- Type **B**: flat ball
- Type **V**: flat ball, with swivel limiting stop
- Type **VR**: flat ball, with swivel limiting stop, corrugated

Steel

- Tensile strength class 12.9
- blackened

Ball

- hardened
- blank

Version in Stainless Steel

Types

- Type **AN**: full ball
- Type **BN**: flat ball
- Type **VN**: flat ball, with swivel limiting stop
- Type **VRN**: flat ball, with swivel limiting stop, corrugated

Screw

Stainless Steel AISI 304

Ball

Stainless Steel AISI 440C
hardened

INFORMATION

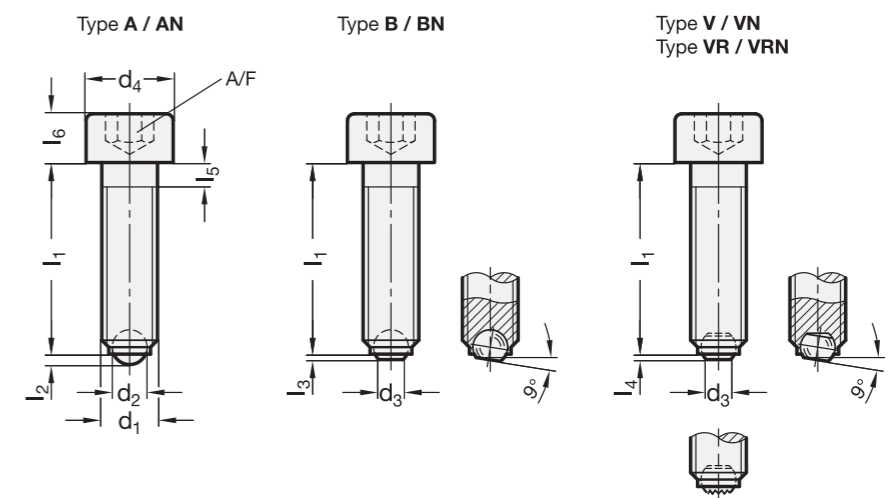
Ball point screws GN 606 with full ball (Type A / Type AN) are used in applications where a ball point contact is required. The flat faced moving ball (Type B / Type BN) allows a clamping or supporting of non parallel surfaces. The ball of Type V/VN/VR/VRN can be swivelled to a maximum of 9° to ensure that clamping is always maintained on the flat section of the ball.

ON REQUEST

- Ball point screws with (full) plastic ball (Type AK)

TECHNICAL INFORMATION

- Stainless Steel characteristics (see page A26)
- Strength values of screws (see page A20)



GN 606-A/B

Description	d1	l1	d2	d3	d4	l2 ≈ l3 ≈ l5	l6	A/F	Static load in N	⚖️
GN 606-M4-10-A	M 4	10	2.5	-	7	0.8	-	2.1 4 3	3500	2
GN 606-M4-12-A	M 4	12	2.5	-	7	0.8	-	2.1 4 3	3500	2
GN 606-M4-16-A	M 4	16	2.5	-	7	0.8	-	2.1 4 3	3500	2
GN 606-M4-20-A	M 4	20	2.5	-	7	0.8	-	2.1 4 3	3500	2
GN 606-M4-25-A	M 4	25	2.5	-	7	0.8	-	2.1 4 3	3500	3
GN 606-M5-12-A	M 5	12	3	-	8.5	1.0	-	2.4 5 4	5000	3
GN 606-M5-16-A	M 5	16	3	-	8.5	1.0	-	2.4 5 4	5000	3
GN 606-M5-20-A	M 5	20	3	-	8.5	1.0	-	2.4 5 4	5000	4
GN 606-M5-25-A	M 5	25	3	-	8.5	1.0	-	2.4 5 4	5000	4
GN 606-M5-30-A	M 5	30	3	-	8.5	1.0	-	2.4 5 4	5000	5
GN 606-M6-16-A	M 6	16	4	-	10	1.3	-	3 6 5	9000	6
GN 606-M6-20-A	M 6	20	4	-	10	1.3	-	3 6 5	9000	7
GN 606-M6-25-A	M 6	25	4	-	10	1.3	-	3 6 5	9000	8
GN 606-M6-30-A	M 6	30	4	-	10	1.3	-	3 6 5	9000	9
GN 606-M6-40-A	M 6	40	4	-	10	1.3	-	3 6 5	9000	11
GN 606-M8-20-A	M 8	20	5.5	-	13	1.8	-	3.5 8 6	15000	14
GN 606-M8-30-A	M 8	30	5.5	-	13	1.8	-	3.5 8 6	15000	15
GN 606-M8-35-A	M 8	35	5.5	-	13	1.8	-	3.5 8 6	15000	19
GN 606-M8-40-A	M 8	40	5.5	-	13	1.8	-	3.5 8 6	15000	19
GN 606-M8-50-A	M 8	50	5.5	-	13	1.8	-	3.5 8 6	15000	25
GN 606-M10-25-A	M 10	25	7	-	16	2.3	-	4.5 10 8	24000	26
GN 606-M10-30-A	M 10	30	7	-	16	2.3	-	4.5 10 8	24000	26
GN 606-M10-40-A	M 10	40	7	-	16	2.3	-	4.5 10 8	24000	34
GN 606-M10-50-A	M 10	50	7	-	16	2.3	-	4.5 10 8	24000	37
GN 606-M10-60-A	M 10	60	7	-	16	2.3	-	4.5 10 8	24000	45
GN 606-M12-30-A	M 12	30	8.5	-	18	2.8	-	5 12 10	30000	36
GN 606-M12-50-A	M 12	50	8.5	-	18	2.8	-	5 12 10	30000	56
GN 606-M12-80-A	M 12	80	8.5	-	18	2.8	-	5 12 10	30000	74
GN 606-M16-40-A	M 16	40	12	-	24	4.3	-	6 16 14	73000	91
GN 606-M16-60-A	M 16	60	12	-	24	4.3	-	6 16 14	73000	122
GN 606-M16-80-A	M 16	80	12	-	24	4.3	-	6 16 14	73000	154
GN 606-M4-10-B	M 4	10	-	2	7	-	0.2 2.1 4 3	3500	2	
GN 606-M4-12-B	M 4	12	-	2	7	-	0.2 2.1 4 3	3500	2	
GN 606-M4-16-B	M 4	16	-	2	7	-	0.2 2.1 4 3	3500	2	
GN 606-M4-20-B	M 4	20	-	2	7	-	0.2 2.1 4 3	3500	2	
GN 606-M4-25-B	M 4	25	-	2	7	-	0.2 2.1 4 3	3500	3	
GN 606-M5-12-B	M 5	12	-	2.5	8.5	-	0.4 2.4 5 4	5000	3	
GN 606-M5-16-B	M 5	16	-	2.5	8.5	-	0.4 2.4 5 4	5000	3	
GN 606-M5-20-B	M 5	20	-	2.5	8.5	-	0.4 2.4 5 4	5000	4	
GN 606-M5-25-B	M 5	25	-	2.5	8.5	-	0.4 2.4 5 4	5000	4	
GN 606-M5-30-B	M 5	30	-	2.5	8.5	-	0.4 2.4 5 4	5000	5	
GN 606-M6-16-B	M 6	16	-	3.2	10	-	0.6 3 6 5	9000	2	
GN 606-M6-20-B	M 6	20	-	3.2	10	-	0.6 3 6 5	9000	2	
GN 606-M6-25-B	M 6	25	-	3.2	10	-	0.6 3 6 5	9000	8	
GN 606-M6-30-B	M 6	30	-	3.2	10	-	0.6 3 6 5	9000	9	
GN 606-M6-40-B	M 6	40	-	3.2	10	-	0.6 3 6 5	9000	11	
GN 606-M8-20-B	M 8	20	-	4.5	13	-	0.8 3.5 8 6	15000	11	
GN 606-M8-30-B	M 8	30	-	4.5	13	-	0.8 3.5 8 6	15000	11	
GN 606-M8-35-B	M 8	35	-	4.5	13	-	0.8 3.5 8 6	15000	19	
GN 606-M8-40-B	M 8	40	-	4.5	13	-	0.8 3.5 8 6	15000	19	
GN 606-M8-50-B	M 8	50	-	4.5	13	-	0.8 3.5 8 6	15000	25	
GN 606-M10-25-B	M 10	25	-	6	16	-	0.8 4.5 10 8	24000	26	
GN 606-M10-30-B	M 10	30	-	6	16	-	0.8 4.5 10 8	24000	30	
GN 606-M10-40-B	M 10	40	-	6	16	-	0.8 4.5 10 8	24000	34	
GN 606-M10-50-B	M 10	50	-	6	16	-	0.8 4.5 10 8	24000	36	
GN 606-M10-60-B	M 10	60	-	6	16	-	0.8 4.5 10 8	24000	47	

GN 606-A/B

Description	d1	l1	d2	d3	d4	l2 ≈ l3 ≈ l5	l6	A/F	Static load in N	⚖️
GN 606-M12-30-B	M 12	30	-	7.2	18	-	1 5 12 10	30000	40	
GN 606-M12-50-B	M 12	50	-	7.2	18	-	1 5 12 10	30000	56	
GN 606-M12-80-B	M 12	80	-	7.2	18	-	1 5 12 10	30000	70	
GN 606-M16-40-B	M 16	40	-	10.7	24	-	1.3 6 16 14	73000	91	
GN 606-M16-60-B	M 16	60	-	10.7	24	-	1.3 6 16 14	73000	122	
GN 606-M16-80-B	M 16	80	-	10.7	24	-	1.3 6 16 14	73000	154	

GN 606-V/VR

Description	d1	l1	d3	d4	l4 ≈ l5	l6	A/F	⚖️
GN 606-M6-16-V	M 6	16	3.2	10	0.45	3	6 5 6	6
GN 606-M6-20-V	M 6	20	3.2	10	0.45	3	6 5 7	7
GN 606-M6-25-V	M 6	25	3.2	10	0.45	3	6 5 8	8
GN 606-M6-30-V	M 6	30	3.2	10	0.45	3	6 5 9	9
GN 606-M6-40-V	M 6	40	3.2	10	0.45	3	6 5 11	11
GN 606-M8-20-V	M 8	20	4.5	13	0.5	3.5	8 6 13	13
GN 606-M8-30-V	M 8	30	4.5	13	0.5	3.5	8 6 15	15
GN 606-M8-35-V	M 8	35	4.5	13	0.5	3.5	8 6 17	17
GN 606-M8-40-V	M 8	40	4.5	13	0.5	3.5	8 6 19	19
GN 606-M8-50-V	M 8	50	4.5	13	0.5	3.5	8 6 23	23
GN 606-M10-25-V	M 10	25	6	16	0.6	4.5	10 8 25	25
GN 606-M10-30-V	M 10	30	6	16	0.6	4.5	10 8 26	26
GN 606-M10-40-V	M 10	40	6	16	0.6	4.5	10 8 31	31
GN 606-M10-50-V	M 10	50	6	16	0.6	4.5	10 8 38	38
GN 606-M10-60-V	M 10	60	6	16	0.6	4.5	10 8 44	44
GN 606-M12-30-V	M 12	30	7.2	18	0.75	5	12 10 38	38
GN 606-M12-50-V	M 12	50	7.2	18	0.75	5	12 10 54	54
GN 606-M12-80-V	M 12	80	7.2	18	0.75	5	12 10 80	80
GN 606-M16-40-V	M 16	40	10.7	24	1.0	6	16 14 92	92
GN 606-M16-60-V	M 16	60	10.7	24	1.0	6	16 14 123	123
GN 606-M16-80-V	M 16	80	10.7	24	1.0	6	16 14 151	151
GN 606-M6-16-VR	M 6	16	3.2	10	0.45	3	6 5 6	6
GN 606-M6-20-VR	M 6	20	3.2	10	0.45	3	6 5 7	7
GN 606-M6-25-VR	M 6	25	3.2	10	0.45	3	6 5 8	8
GN 606-M6-30-VR	M 6	30	3.2	10	0.45	3	6 5 9	9
GN 606-M6-40-VR	M 6	40	3.2	10	0.45	3	6 5 11	11
GN 606-M8-20-VR	M 8	20	4.5	13	0.5	3.5	8 6 13	13
GN 606-M8-30-VR	M 8	30	4.5	13	0.5	3.5	8 6 15	15
GN 606-M8-35-VR	M 8	35	4.5	13	0.5	3.5	8 6 17	17
GN 606-M8-40-VR	M 8	40	4.5	13	0.5	3.5	8 6 19	19
GN 606-M8-50-VR	M 8	50	4.5	13	0.5	3.5	8 6 23	23
GN 606-M10-25-VR	M 10	25	6	16	0.6	4.5	10 8 25	25
GN 606-M10-30-VR	M 10	30	6	16	0.6	4.5	10 8 26	26
GN 606-M10-40-VR	M 10	40	6	16	0.6	4.5	10 8 31	31
GN 606-M10-50-VR	M 10	50	6	16	0.6	4.5	10 8 37	37
GN 606-M10-60-VR	M 10	60	6	16	0.6	4.5	10 8 44	44
GN 606-M12-30-VR	M 12	30	7.2	18	0.75	5	12 10 38	38
GN 606-M12-50-VR	M 12	50	7.2	18	0.75	5	12 10 54	54
GN 606-M12-80-VR	M 12	80	7.2	18	0.75	5	12 10 80	80
GN 606-M16-40-VR	M 16	40	10.7	24	1.0	6	16 14 92	92
GN 606-M16-60-VR	M 16	60	10.7	24	1.0	6	16 14 123	123
GN 606-M16-80-VR	M 16	80	10.7	24	1.0	6	16 14 151	151

GN 606-AN/BN

STAINLESS STEEL

Description	d1	l1	d2	d3	d4	l2 ≈ l3 ≈ l5	l6	A/F	Static load in N	⚖️
GN 606-M4-10-AN	M 4	10	2.5	-	7	0.8	-	2.1 4 3	2040	2
GN 606-M4-12-AN	M 4	12	2.5	-	7	0.8	-	2.1 4 3	2040	2
GN 606-M4-16-AN	M 4	16	2.5	-	7	0.8	-	2.1 4 3	2040	2
GN 606-M4-20-AN	M 4	20	2.5	-	7	0.8	-	2.1 4 3	2040	2
GN 606-M4-25-AN	M 4	25	2.5	-	7	0.8	-	2.1 4 3	2040	3
GN 606-M5-12-AN	M 5	12	3	-	8.5	1.0	-	2.4 5 4	3000	3
GN 606-M5-16-AN	M 5	16	3	-	8.5	1.0	-	2.4 5 4	3000	3
GN 606-M5-20-AN	M 5	20	3	-	8.5	1.0	-	2.4 5 4	3000	4
GN 606-M5-25-AN	M 5	25	3	-	8.5	1.0	-	2.4 5 4	3000	4
GN 606-M5-30-AN	M 5	30	3	-	8.5	1.0	-	2.4 5 4	3000	5
GN 606-M6-16-AN	M 6	16	4	-	10	1.3	-	3 6 5	4500	6
GN 606-M6-20-AN	M 6	20	4	-	10	1.3	-	3 6 5	4500	7
GN 606-M6-25-AN	M 6	25	4	-	10	1.3	-	3 6 5	4500	8
GN 606-M6-30-AN	M 6	30	4	-	10	1.3	-	3 6 5	4500	9
GN 606-M6-40-AN	M 6	40	4	-	10	1.3	-	3 6 5	4500	11
GN 606-M8-20-AN	M 8	20	5.5	-	13	1.8	-	3.5 8 6	9000	14
GN 606-M8-30-AN	M 8	30	5.5	-	13	1.8	-	3.5 8 6	9000	16
GN 606-M8-35-AN	M 8	35	5.5	-	13	1.8	-	3.5 8 6	9000	19
GN 606-M8-40-AN	M 8	40	5.5	-	13	1.8	-	3.5 8 6	9000	19
GN 606-M8-50-AN	M 8	50	5.5	-	13	1.8	-	3.5 8 6	9000	25
GN 606-M10-25-AN	M 10	25	7	-	16	2.3	-	4.5 10 8	14400	26
GN 606-M10-30-AN										

Swing bolts

Steel / Stainless Steel, with long threaded bolt

SPECIFICATION

Version in Steel

- Tensile strength class 5.8
- turned
- blackened

Version in Stainless Steel NI

- AISI 303
- turned
- matt shot-blasted

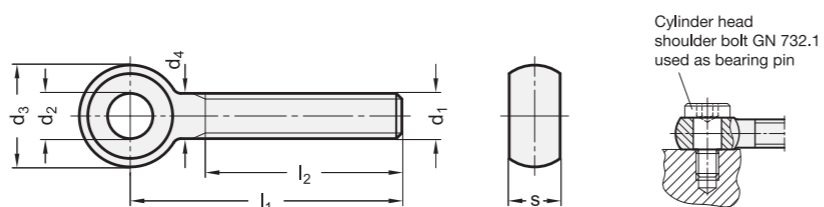
INFORMATION

Swing bolts GN 1524 offer a longer threaded bolt contrary to DIN 444 (see page 935).

For stocking purpose cylinder head shoulder bolts GN 732 (see page 919) can be used for the sizes M8, M10 and M12.

TECHNICAL INFORMATION

- ISO-Fundamental Tolerance (see page A21)
- Stainless Steel characteristics (see page A26)
- Strength values of screws (see page A20)



GN 1524

Description	d1	l1	l2	d2 E8	d3 -0.4	s -0.2	d4	⚖
GN 1524-M6-50	M 6	50	40	6	12	8	6	10
GN 1524-M6-60	M 6	60	40	6	12	8	6	15
GN 1524-M6-70	M 6	70	40	6	12	8	6	15
GN 1524-M6-80	M 6	80	40	6	12	8	6	20
GN 1524-M8-50	M 8	50	40	8	16	10	8	25
GN 1524-M8-60	M 8	60	45	8	16	10	8	25
GN 1524-M8-70	M 8	70	45	8	16	10	8	30
GN 1524-M8-80	M 8	80	45	8	16	10	8	35
GN 1524-M8-100	M 8	100	45	8	16	10	8	35
GN 1524-M10-50	M 10	50	38	10	20	12	10	35
GN 1524-M10-60	M 10	60	46	10	20	12	10	40
GN 1524-M10-70	M 10	70	50	10	20	12	10	45
GN 1524-M10-80	M 10	80	50	10	20	12	10	55
GN 1524-M10-100	M 10	100	50	10	20	12	10	66
GN 1524-M10-120	M 10	120	50	10	20	12	10	75
GN 1524-M12-50	M 12	50	35	12	25	14	12	60
GN 1524-M12-60	M 12	60	42	12	25	14	12	70
GN 1524-M12-70	M 12	70	52	12	25	14	12	75
GN 1524-M12-80	M 12	80	60	12	25	14	12	85
GN 1524-M12-100	M 12	100	60	12	25	14	12	100
GN 1524-M12-120	M 12	120	60	12	25	14	12	115
GN 1524-M12-130	M 12	130	60	12	25	14	12	125
GN 1524-M16-70	M 16	70	49	16	32	18	16	140
GN 1524-M16-80	M 16	80	59	16	32	18	16	158
GN 1524-M16-100	M 16	100	77	16	32	18	16	180
GN 1524-M16-120	M 16	120	80	16	32	18	16	210
GN 1524-M16-140	M 16	140	80	16	32	18	16	245
GN 1524-M16-160	M 16	160	80	16	32	18	16	275
GN 1524-M20-100	M 20	100	75	20	40	22	20	300
GN 1524-M20-120	M 20	120	95	20	40	22	20	346
GN 1524-M20-140	M 20	140	100	20	40	22	20	390
GN 1524-M20-160	M 20	160	100	20	40	22	20	438
GN 1524-M24-160	M 24	160	120	25	50	28	24	685
GN 1524-M24-240	M 24	240	120	25	50	28	24	965

GN 1524-NI

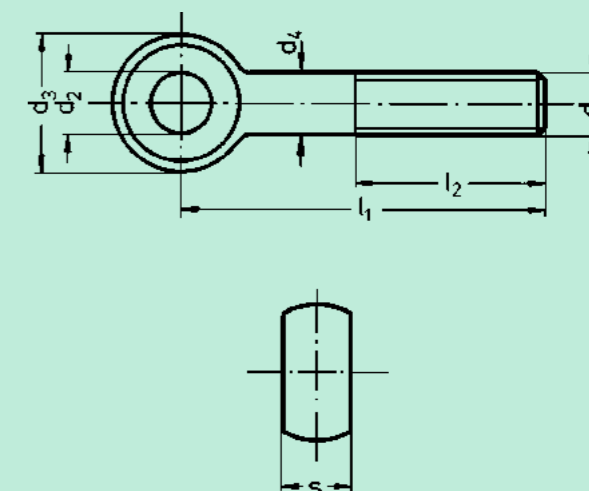
STAINLESS STEEL

Description	d1	l1	l2	d2 E8	d3 -0.4	s -0.2	d4	⚖
GN 1524-M6-50-NI	M 6	50	40	6	12	8	6	10
GN 1524-M6-60-NI	M 6	60	40	6	12	8	6	15
GN 1524-M6-70-NI	M 6	70	40	6	12	8	6	15
GN 1524-M6-80-NI	M 6	80	40	6	12	8	6	20
GN 1524-M8-50-NI	M 8	50	40	8	16	10	8	25
GN 1524-M8-60-NI	M 8	60	45	8	16	10	8	25
GN 1524-M8-70-NI	M 8	70	45	8	16	10	8	30
GN 1524-M8-80-NI	M 8	80	45	8	16	10	8	35
GN 1524-M8-100-NI	M 8	100	45	8	16	10	8	40
GN 1524-M10-50-NI	M 10	50	38	10	20	12	10	35
GN 1524-M10-60-NI	M 10	60	46	10	20	12	10	40
GN 1524-M10-70-NI	M 10	70	50	10	20	12	10	45
GN 1524-M10-80-NI	M 10	80	50	10	20	12	10	55
GN 1524-M10-100-NI	M 10	100	50	10	20	12	10	66
GN 1524-M10-120-NI	M 10	120	50	10	20	12	10	75
GN 1524-M12-50-NI	M 12	50	35	12	25	14	12	60
GN 1524-M12-60-NI	M 12	60	42	12	25	14	12	70
GN 1524-M12-70-NI	M 12	70	52	12	25	14	12	75
GN 1524-M12-80-NI	M 12	80	60	12	25	14	12	85
GN 1524-M12-100-NI	M 12	100	60	12	25	14	12	100
GN 1524-M12-120-NI	M 12	120	60	12	25	14	12	115
GN 1524-M12-130-NI	M 12	130	60	12	25	14	12	127
GN 1524-M16-70-NI	M 16	70	49	16	32	18	16	140
GN 1524-M16-80-NI	M 16	80	59	16	32	18	16	155
GN 1524-M16-100-NI	M 16	100	77	16	32	18	16	180
GN 1524-M16-120-NI	M 16	120	80	16	32	18	16	210
GN 1524-M16-140-NI	M 16	140	80	16	32	18	16	245
GN 1524-M16-160-NI	M 16	160	80	16	32	18	16	275
GN 1524-M20-100-NI	M 20	100	75	20	40	22	20	300
GN 1524-M20-120-NI	M 20	120	95	20	40	22	20	346
GN 1524-M20-140-NI	M 20	140	100	20	40	22	20	390
GN 1524-M20-160-NI	M 20	160	100	20	40	22	20	438

Eye Screws

DIN 444
from Steel resp. Stainless Steel

INOX



In precise design finished. Mainly used for jigs and fixtures.

Different from the specified standard, the eye screw have stability class 5.8 (instead of 4.6/5.6) and a larger thread length l_2 .

Model: Steel 5.8, black oxide finished resp. stainless steel 1.4305, sand-blasted matt. Thread rolled. Eye screws M 12, M 16, M 20 from steel 5.8 can also be supplied at more reasonable prices in finish \bar{N} Screw/Eye butt welded \bar{i} , weld turned.

Eye Screws DIN 444

Order No. Steel	Order No. Stainless Steel	l ₁ mm	Thread d ₁	l ₂ mm	d ₂ H ₇	d ₃ -0,3 mm	s -0,15 mm	d ₄ mm
54 050 06	54 050 06 E0A	50	M 6	32	6	14	7	6
54 075 06	54 075 06 E0A	75	M 6					
54 050 08	54 050 08 E0A	50	M 8	32	8	18	9	8
54 075 08	54 075 08 E0A	75	M 8					
54 075 10	54 075 10 E0A	75	M 10	40	10	20	12	10
54 100 10	54 100 10 E0A	100	M 10					
54 100 12	54 100 12 E0A	100	M 12	40	12	25	14	12
54 130 12	54 130 12 E0A	130	M 12					
54 100 16	54 100 16 E0A	100	M 16	50	16	32	17	16
54 130 16	54 130 16 E0A	130	M 16					

Eye Screws DIN 444 - Type B

Zimmermann Eye Screws, Type B in the usual model DIN 444 at more reasonable prices are available on request.



Swing nuts

SPECIFICATION

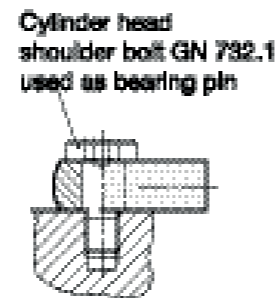
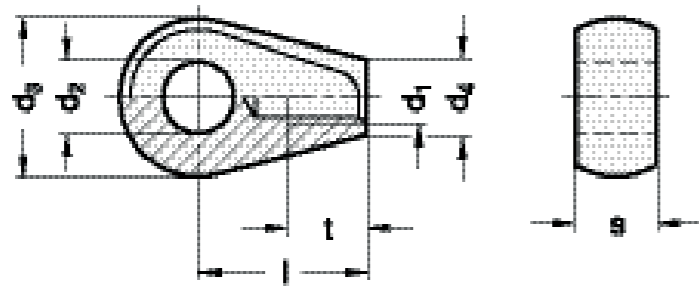
- Steel
- Tensile strength class 5.8
- blackened

INFORMATION

In combination with grub screws i.e. DIN 913 or DIN 6379 (see page 937) and swing nuts GN 444.2 can be used together as swing bolts in varying lengths.
In addition, used with a cap screw DIN 912, a swivelling clamping screw can be produced.
Dimensions d_2 , d_3 and s are identical to DIN 444 (see page 935).
For stocking purposes cylinder head shoulder bolts GN 732.1 (see page 919) can be used for the sizes M8, M10 and M12.

TECHNICAL INFORMATION

- ISO-Fundamental Tolerances (see page A21)
- Strength values of nuts (see page A20)



GN 444.2

Description	d1	d2 H7	d3 -0.3	d4	l	s -0.15	t min.	△△
GN 444.2-M6-8	M 6	8	18	8.5	19	9	9	18
GN 444.2-M8-10	M 8	10	20	11	24	12	11	30
GN 444.2-M10-12	M 10	12	25	13.5	28	14	14	52
GN 444.2-M12-16	M 12	16	32	16	34	17	16	101



Studs

for T-Nuts

SPECIFICATION

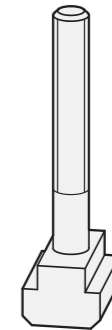
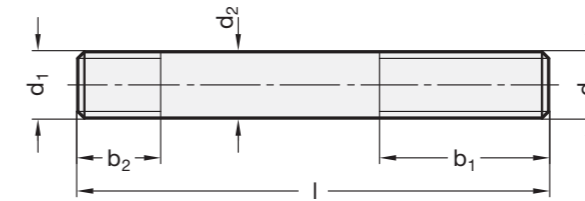
- Heat-treatable Steel
- M 6 ... M12: Tensile strength class 10.9
- M 14 ... M24: Tensile strength class 8.8
- blackened

INFORMATION

Studs DIN 6379 are mainly used in DIN 508 (see page 977), DIN 6330 (see page 988) and washers DIN 6340 (see page 972) to form a complete clamp unit.

TECHNICAL INFORMATION

- Strength values of screws (see page A20)



DIN 6379

Description	d1	l - b1	b2	d2	△△
DIN 6379-M6-50	M 6	50-30	9	5.3	11
DIN 6379-M6-80	M 6	80-50	9	5.3	18
DIN 6379-M8-40	M 8	40-20	11	7.1	10
DIN 6379-M8-63	M 8	63-40	11	7.1	20
DIN 6379-M8-100	M 8	100-63	11	7.1	31
DIN 6379-M10-50	M 10	50-25	13	9	20
DIN 6379-M10-80	M 10	80-50	13	9	40
DIN 6379-M10-125	M 10	125-75	13	9	65
DIN 6379-M10-200	M 10	200-125	13	9	100
DIN 6379-M12-50	M 12	50-25	15	10.7	35
DIN 6379-M12-80	M 12	80-50	15	10.7	60
DIN 6379-M12-125	M 12	125-75	15	10.7	90
DIN 6379-M12-200	M 12	200-125	15	10.7	140
DIN 6379-M14-63	M 14	63-32	17	12.6	60
DIN 6379-M14-100	M 14	100-63	17	12.6	95
DIN 6379-M14-160	M 14	160-100	17	12.6	150
DIN 6379-M14-250	M 14	250-160	17	12.6	240
DIN 6379-M16-63	M 16	63-32	19	14.6	85
DIN 6379-M16-100	M 16	100-63	19	14.6	125
DIN 6379-M16-160	M 16	160-100	19	14.6	210
DIN 6379-M16-250	M 16	250-160	19	14.6	325
DIN 6379-M20-80	M 20	80-32	27	18.2	160
DIN 6379-M20-125	M 20	125-70	27	18.2	255
DIN 6379-M20-200	M 20	200-125	27	18.2	410
DIN 6379-M20-315	M 20	315-190	27	18.2	640
DIN 6379-M24-100	M 24	100-50	35	21.9	290
DIN 6379-M24-160	M 24	160-100	35	21.9	470
DIN 6379-M24-250	M 24	250-160	35	21.9	730
DIN 6379-M24-400	M 24	400-250	35	21.9	1160

Thrust pads

for Grub screws GN 632.1 / GN 632.5

SPECIFICATION

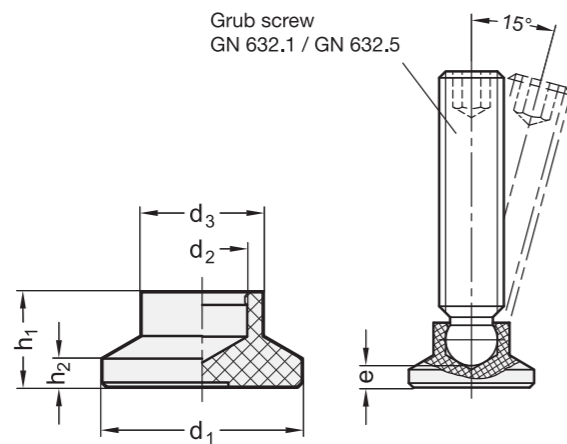
Plastic
 Technopolymer (Polyacetal POM)
 - temperature resistant up to 80 °C
 - black, matt

INFORMATION

Thrust pads GN 631 with ball point grub screw GN 632.1 (see page 914) / GN 632.5 (see page 915) are ideal to transmit clamping forces. They lean to uneven and unparallel surfaces. They are easy to press-on to the ball point of the grub screw by hand.



Mounting example



GN 631

Description	d1	d2	d3	e ≈	h1	h2	Grub screw GN 632.1/ GN 632.5	⚖
GN 631-15-4,5	15	4,5	8,6	3,6	7,6	2,5	M 6	2
GN 631-15-6,1	15	6,1	8,6	2,5	7,6	2,5	M 8	2
GN 631-18-4,5	18	4,5	10,8	5,2	9,2	2,5	M 6	3
GN 631-18-6,1	18	6,1	10,8	4,2	9,2	2,5	M 8	3
GN 631-18-7,8	18	7,8	10,8	3,8	9,2	2,5	M 10	3
GN 631-21-4,5	21	4,5	12,8	6	10	3	M 6	4
GN 631-21-6,1	21	6,1	12,8	5	10	3	M 8	4
GN 631-21-7,8	21	7,8	12,8	4,3	10	3	M 10	4
GN 631-21-9,4	21	9,4	12,8	3,4	10	3	M 12	4
GN 631-25-4,5	25	4,5	13	6,5	10,5	3	M 6	4
GN 631-25-6,1	25	6,1	13	5,5	10,5	3	M 8	4
GN 631-25-7,8	25	7,8	13	4,6	10,5	3	M 10	4
GN 631-25-9,4	25	9,4	13	3,6	10,5	3	M 12	4
GN 631-32-4,5	32	4,5	14	7	11	3	M 6	6
GN 631-32-6,1	32	6,1	14	6	11	3	M 8	6
GN 631-32-7,8	32	7,8	14	5	11	3	M 10	6
GN 631-32-9,4	32	9,4	14	4,2	11	3	M 12	6
GN 631-40-6,1	40	6,1	16	8	13	4	M 8	11
GN 631-40-7,8	40	7,8	16	7	13	4	M 10	11
GN 631-40-9,4	40	9,4	16	6,2	13	4	M 12	11

Stainless Steel-Thrust pads

for Grub screws GN 632.5

SPECIFICATION

Stainless Steel AISI 303
 O-Ring rubber FPM (Vition®)
 temperature resistant up to 200 °C

INFORMATION

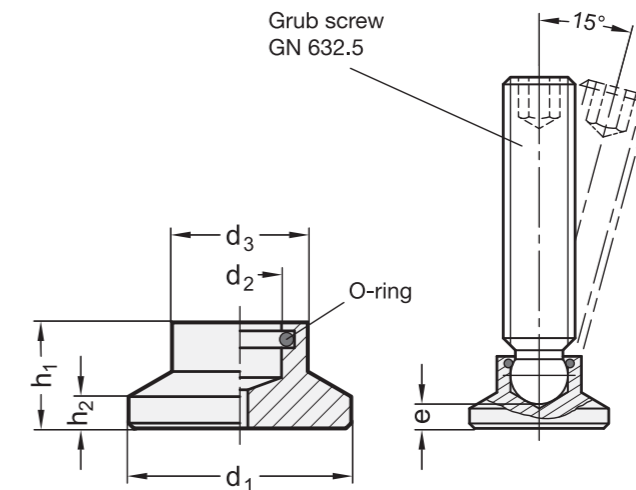
Thrust pads GN 631.5 with ball point grub screw GN 632.5 (see page 915) are ideal to transmit clamping forces. They lean to uneven and unparallel surfaces. They are easy to press-on to the ball point of the grub screw by hand.

TECHNICAL INFORMATION

- Stainless Steel characteristics (see page A26)



Mounting example



GN 631.5

STAINLESS STEEL

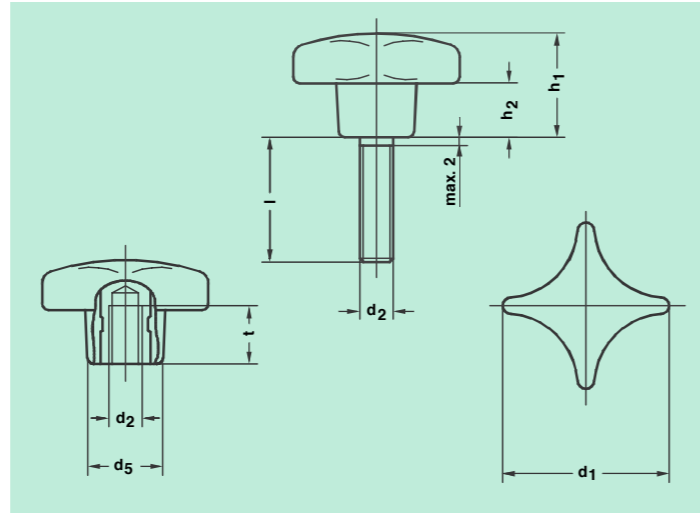
Description	d1	d2	d3	e ≈	h1	h2	Grub screw GN 632.5	⚖
GN 631.5-21-4,5	21	4,5	12,8	6	10	3	M 6	17
GN 631.5-21-6,1	21	6,1	12,8	5	10	3	M 8	17
GN 631.5-21-7,8	21	7,8	12,8	4,3	10	3	M 10	16
GN 631.5-21-9,4	21	9,4	12,8	3,4	10	3	M 12	14
GN 631.5-25-4,5	25	4,5	13	6,5	10,5	3	M 6	23
GN 631.5-25-6,1	25	6,1	13	5,5	10,5	3	M 8	21
GN 631.5-25-7,8	25	7,8	13	4,6	10,5	3	M 10	21
GN 631.5-25-9,4	25	9,4	13	3,6	10,5	3	M 12	21
GN 631.5-32-4,5	32	4,5	14	7	11	3	M 6	35
GN 631.5-32-6,1	32	6,1	14	6	11	3	M 8	35
GN 631.5-32-7,8	32	7,8	14	5	11	3	M 10	34
GN 631.5-32-9,4	32	9,4	14	4,2	11	3	M 12	33
GN 631.5-40-6,1	40	6,1	16	8	13	4	M 8	68
GN 631.5-40-7,8	40	7,8	16	7	13	4	M 10	68
GN 631.5-40-9,4	40	9,4	16	6,2	13	4	M 12	66

Cross Knobs similar to DIN 6335



Model: Body from duroplastic FS 31.
Bush resp. screw from steel, zinc-plated.

Cross knobs from cast iron or aluminium are available on request.



Cross Knobs similar to DIN 6335

Order No.	Internal Thread	t mm	Weight approx. kg	Order No.	External Thread	Length of Screw l (mm)				Size			
Internal Thread	d ₂			External Thread	d ₂				d ₁ mm	d ₅ mm	h ₁ mm	h ₂ mm	
21 25 05	M 5	10,5	0,006	21 25 05 ...	M 5	10	15	20	25	11	17	9	
21 32 06	M 6	13,5	0,010	21 32 06 ...	M 6		15	20	30	14	20	10	
21 40 08	M 8	16	0,018	21 40 08 ...	M 8		15	20	30	18	26	15	
21 50 10	M 10	21	0,033	21 50 10 ...	M 10			20	30	22	23	20	
21 63 12	M 12	25	0,061	21 63 12 ...	M 12		25	40	63	27	40	23	

... Please indicate here the desired length of screw e.g. 020 for l = 20 mm.

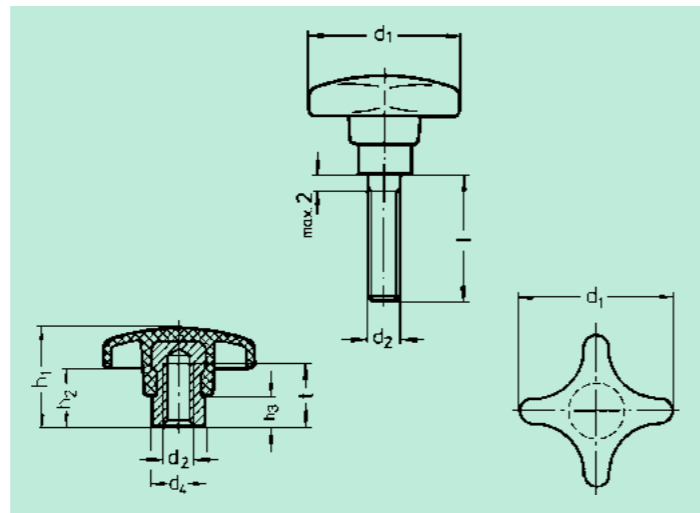
Cross Knobs

with Projecting Steel Bush



Cross Knobs with projecting steel bush.
Especially suitable for cross pin connections.

Model: Body from polyamide, black matt. Bush resp. screw from steel, zinc-plated.



Cross Knobs with fitting hole H7 are available on request.

Cross Knobs with Projecting Steel Bush

Order No.	Internal Thread	t mm	Order No.	External Thread	Length of Screw l (mm)				Size				
Internal Thread	d ₂		External Thread	d ₂				d ₁ mm	d ₄ mm	h ₁ mm	h ₂ mm	h ₃ mm	
23 32 06	M 6	12	23 32 06 ...	M 6	16	20	30	32	12	20	10	9	
23 40 08	M 8	14	23 40 08 ...	M 8	16	25	40	40	14	25	13	10	
23 50 10	M 10	18	23 50 10 ...	M 10		25	35	55	18	32	20	12	
23 63 12	M 12	22	23 63 12 ...	M 12		30	40	60	20	40	25	14	

... Please indicate here the desired length of screw e.g. 020 for l = 20 mm.

Star Knobs

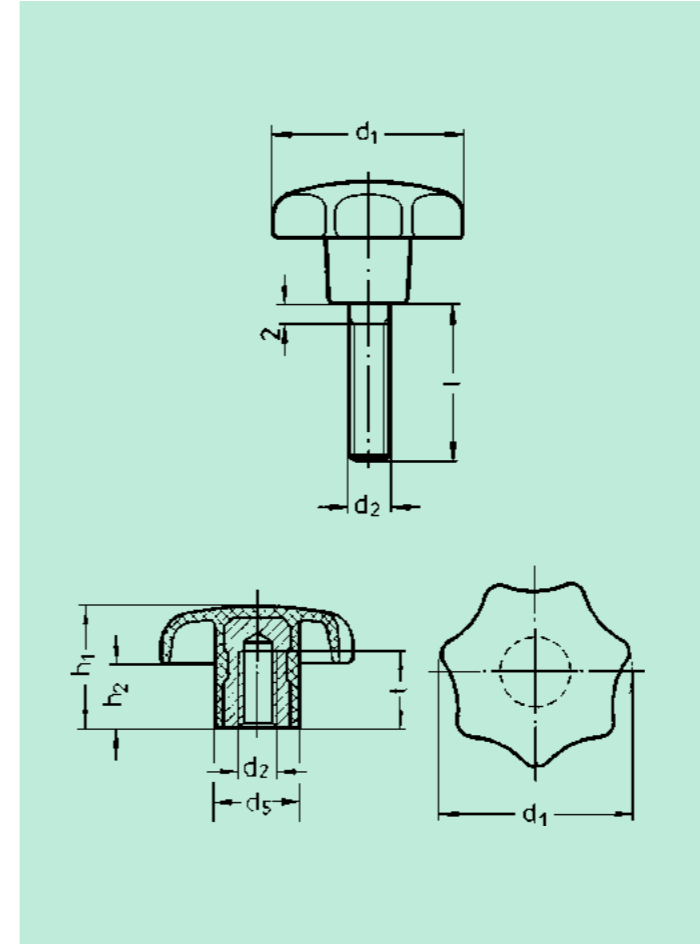
similar to DIN 6336



Zimmermann Star Knobs for various applications and individual solutions. Zimmermann star knobs offer high flexibility and captivate by their modern design and nice surface finish.

Model: Body from reinforced polyamide, black matt. Bush resp. screw from steel, zinc-plated.

Star knobs with fitting hole H7 and star knobs from cast iron or aluminium are available on request.



Star Knobs similar to DIN 6336

Order No.	Internal Thread	t mm	Weight approx. g	Order No.	External Thread	Length of Screw l (mm)				Size			
Internal Thread	d ₂			External Thread	d ₂				d ₁ mm	d ₅ mm	h ₁ mm	h ₂ mm	
24 25 04	M 4	7,5		24 25 05 ...	M 5	10	15	20	25	12	16	8	
24 25 05	M 5	8,5	5	24 25 06 ...	M 6	10	15	20	25	15	20	10	
24 25 06	M 6	9		24 32 05 ...	M 5	11	16	21	26	16	21	10	
24 32 05	M 5	8,5		24 32 06 ...	M 6	11	16	21	26	16	21	10	
24 32 06	M 6	9	8	24 32 08 ...	M 8	15	20	25	30	18	25	13	
24 40 05	M 5	8,5	15	24 50 08 ...	M 8	14	19	24	29	22	32	17	
24 40 06	M 6	9	16	24 50 10 ...	M 10	20	30	40	50	26	40	21	
24 40 08	M 8	14	17	24 63 10 ...	M 10	20	30	40	50	26	40	21	
24 50 08	M 8	14	31	24 63 12 ...	M 12	25	30	40	60	26	40	21	
24 50 10	M 10	21	30										
24 63 10	M 10	23	85										
24 63 12	M 12	23	82										

... Please indicate here the desired length of screw e.g. 025 for l = 25 mm.

with Projecting Steel or
Stainless Steel Bush

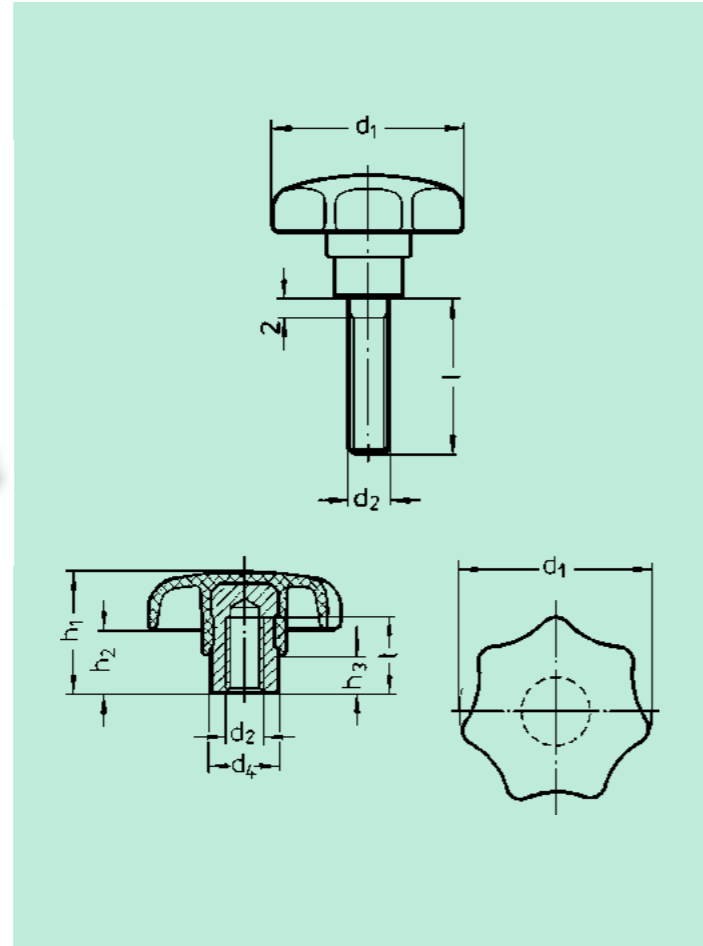
INOX



Zimmermann Star Knobs with projecting steel bush. Especially suitable for cross pin connections.

Model: Body from reinforced polyamide, black matt. Bush resp. screw from steel, zinc-plated resp. from stainless steel, material no. 1.4305.

Star knobs with fitting hole H7 are available on request.



Star Knobs with Projecting Bush - Steel

Order No.	Internal Thread	t	Order No.	External Thread	Length of Screw l (mm)	Size	d1	d4	h1	h2	h3
Internal Thread	d2	mm	External Thread	d2		mm	mm	mm	mm	mm	mm
26 32 06	M 6	12	26 32 06 ...	M 6	16 25 30	32	12	21	11	8,5	
26 40 06	M 6	14				40	14	26	14	10	
26 40 08	M 8		26 40 08 ...	M 8	16 30 40						
26 50 08	M 8	18				50	18	32	17	10	
26 50 10	M 10		26 50 10 ...	M 10	25 35 55						
26 63 10	M 10	22				63	20	40	21	14	
26 63 12	M 12		26 63 12 ...	M 12	30 60						

... Please indicate here the desired length of screw e.g. 025 for l = 25 mm.

Star Knobs with Projecting Bush - Stainless Steel

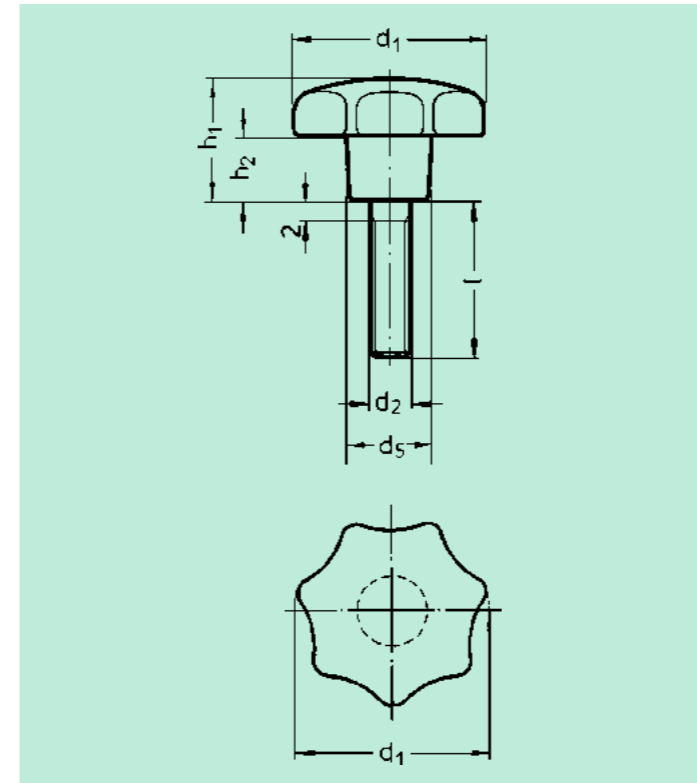
Order No.	Internal Thread	t	Size	d1	d4	h1	h2	h3
	d2	mm	mm	mm	mm	mm	mm	mm
26 32 06 E0A	M 6	12	32	12	21	11	8,5	
26 40 08 E0A	M 8	14	40	14	26	14	10	
26 50 10 E0A	M 10	18	50	18	32	17	10	
26 63 12 E0A	M 12	22	63	22	40	21	14	

Star Knobs
Steel Parts from Stainless Steel
Similar to DIN 6336

INOX



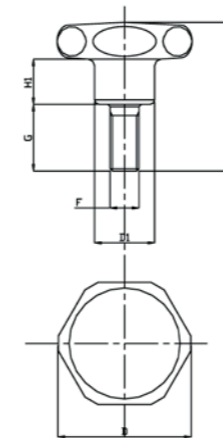
Model: Body from reinforced polyamide, black matt. Screw from stainless steel, material no. 1.4567.



Star Knobs similar to DIN 6336 - Stainless Steel

Order No.	External Thread	External Thread d2	Length of Screw l (mm)	Size	d1	d5	h1	h2
				mm	mm	mm	mm	mm
24 25 05 ... E0A	M 5	10	15 25	25	12	16	8	
24 32 06 ... E0A	M 6		21 26 31	32	14	20	10	
24 40 08 ... E0A	M 8		20 30 40	40	18	25	13	
24 50 10 ... E0A	M 10		25 30 45	50	22	32	17	
24 63 12 ... E0A	M 12		30 40 50	63	26	40	21	

... Please indicate here the desired length of screw e.g. 025 for l = 25 mm.



INOX Star Knobs



CODICE - CODE	descrizione - description	DIMENSIONI PRINCIPALI - MAIN DIMENSIONS					
		D	D1	H			
30060E/27	VOLANTINO D27 M6	27	15	30	10	10	M6
30070E/33	VOLANTINO D33 M8	33	19	43	11	20	M8
30080E/40	VOLANTINO D40 M8	40	21	47	15	20	M8
30090E/50	VOLANTINO D50 M10	50	25	63	17,5	30	M10
30100E/60	VOLANTINO D60 M12	60	27	77	20	40	M12

• Material: 1.4301 (1.4401 request). Polished surface (sandblasted treatment on request). Thanks to their design the knobs avoid any dirt and dust deposit.

• Applications: pharmaceutical, chemical, food, wine and packaging industry.

Star Knobs

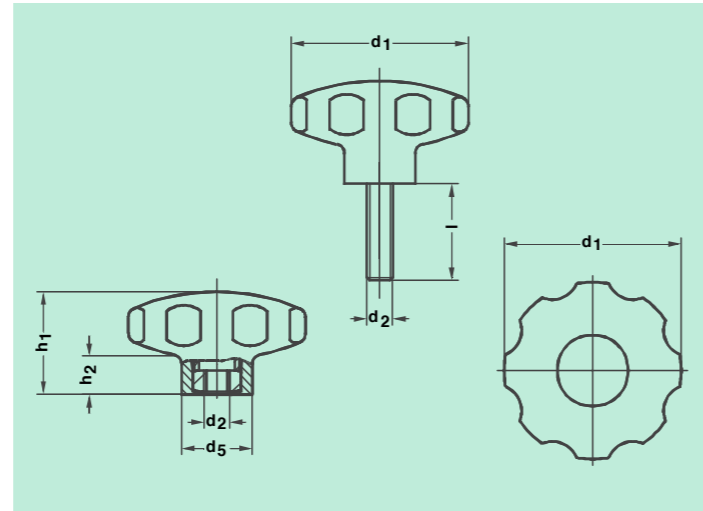
Closed Shape



Due to their closed shape and smooth surface these star knobs meet great demands on hygiene. Knobs size 55 are also available as safety star knobs.

Model: Body from glass-fibre reinforced polyamide, black matt. Nut resp. screw acc. to DIN 934.

Knobs are also available disassembled or without nuts/ screws.



Star Knobs closed shape

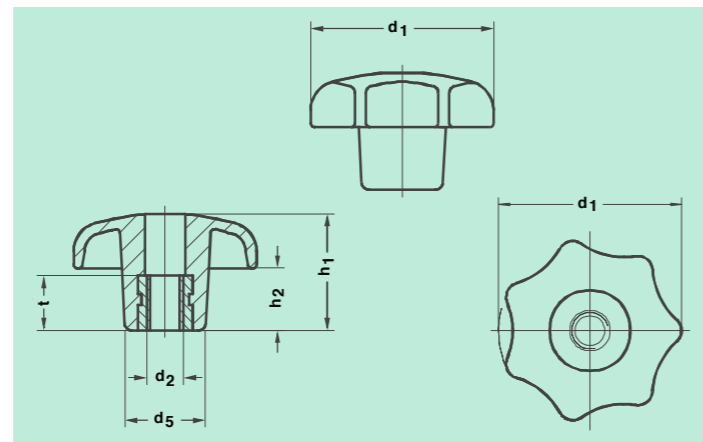
Order No.	Internal Thread	Order No.	External Thread	Length of Screw l (mm)				Size d ₁ mm	d ₅ mm	h ₁ mm	h ₂ mm
Internal Thread	d ₂	External Thread	d ₂								
29 32 05	M 5	29 32 05 ...	M 5	10	14	28	32	19	19	10	
29 32 06	M 6	29 32 06 ...	M 6	14	23	28					
29 39 06	M 6	29 39 06 ...	M 6	14	23	28	39	23	27	11	
29 39 08	M 8	29 39 08 ...	M 8	18	23	33	38				
29 55 08	M 8	29 55 08 ...	M 8	18	23	33	38	55	22	32	13

... Please indicate here the desired length of screw e.g. 023 for l = 23 mm.

similar to DIN 6336 threaded through-bore



Model: Body from glass-fibre reinforced polyamide, black matt. Bush from steel, zinc-plated.



Star Knobs similar to DIN 6336, threaded through-bore

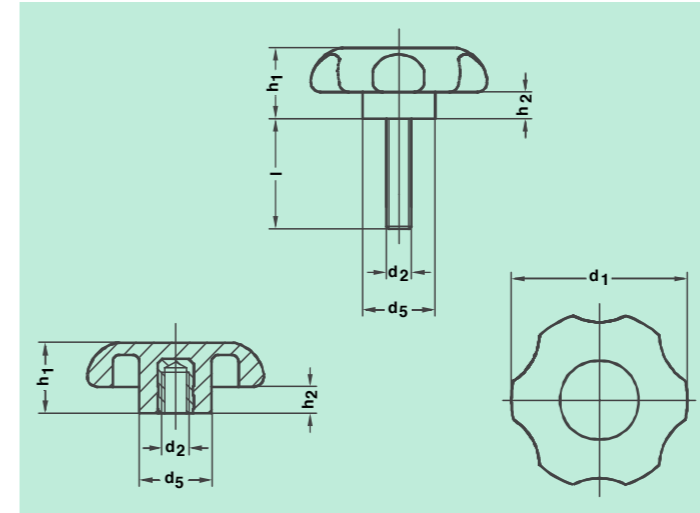
Order No.	Internal Thread	t mm	Size d ₁ mm	d ₅ mm	h ₁ mm	h ₂ mm	Weight approx. g
71 32 06	M 6	11	32	14	20	10	9
71 40 08	M 8	14	40	18	25	13	17
71 50 10	M 10	15	50	22	32	17	33
71 63 12	M 12	20	63	26	40	21	60

Star Knobs



At excellent prices.

Model: Body from polyamide, black. Bush resp. screw from steel, zinc-plated.



Star Knobs

Order No.	Internal Thread	t mm	Order No.	External Thread	Length of Screw l (mm)			Size d ₁ mm	d ₅ mm	h ₁ mm	h ₂ mm
Internal Thread	d ₂		External Thread	d ₂							
68 32 06	M 6	9	68 32 06 ...	M 6	15	20	30	32	12	16	5
68 32 08	M 8		68 32 08 ...	M 8	15	20	30				
68 40 06	M 6	15	68 40 06 ...	M 6	18	28	40	17	25	10	
68 40 08	M 8		68 40 08 ...	M 8	18	28	40				

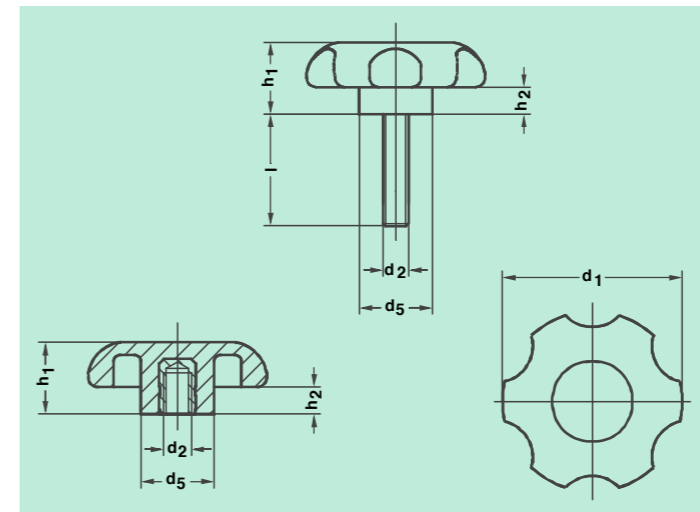
... Please indicate here the desired length of screw e.g. 020 for l = 20 mm.

Star Knobs



At excellent prices.

Model: Body from polyamide, black. Bush resp. screw from steel, zinc-plated.

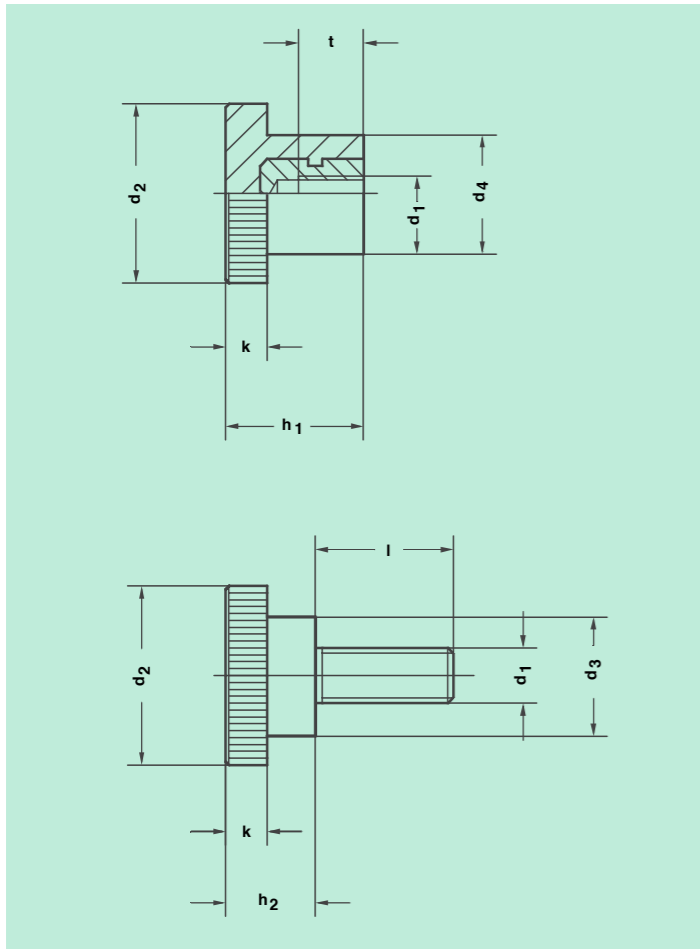


Star Knobs

Order No.	Internal Thread	t mm	Order No.	External Thread	Length of Screw l (mm)			Size d ₁ mm	d ₅ mm	h ₁ mm	h ₂ mm
Internal Thread	d ₂		External Thread	d ₂							
69 55 06	M 6	9	69 55 06 ...	M 6	17	22	32	55	22,5	22,5	9
69 55 08	M 8	15	69 55 08 ...	M 8	17	32	47	55	22,5	22,5	9
69 55 10	M10	15	69 55 10 ...	M10	32	42	47	55	22,5	22,5	9

... Please indicate here the desired length of screw e.g. 032 for l = 32 mm.

Knurl Nuts/Screws



Model: Body from duroplastic FS 31, black. Bush resp. screw from steel, zinc-plated.

Knurl Nuts/Screws

Order No. Internal Thread	Internal Thread d ₁	t mm	d ₄ mm	h ₁ mm	Order No. External Thread	External Thread d ₁	Length of Screw l (mm)	l max mm	Size d ₂ mm	d ₃ mm	h ₂ mm	k mm
					67 18 04 ...	M 4	12	45	18	10	12	5,5
					67 22 05 ...	M 5	10	20	22	12	13	6
					67 22 06 ...	M 6	15 20 30					
67 26 06	M 6	13,5	17	20	67 26 06 ...	M 6	15 20 30	70	26	15	13	6
67 26 08	M 8	11	17	20	67 26 08 ...	M 8	15 20 30					

... Please indicate here the desired length of screw e.g. 020 for l = 20 mm.

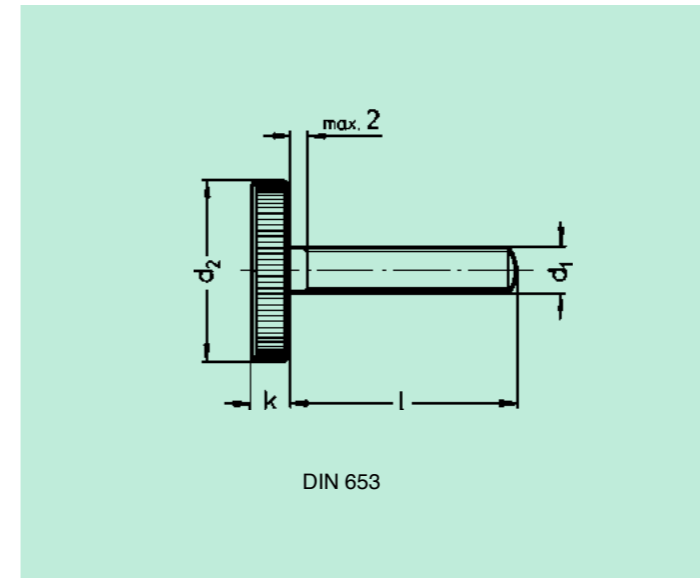
Flat Knurl Nuts/Screws

DIN 467 resp. DIN 653



Model: Steel, stability class 5.8, visible fine turning end surface, black oxide finished.

Also available from polyamide.



DIN 653

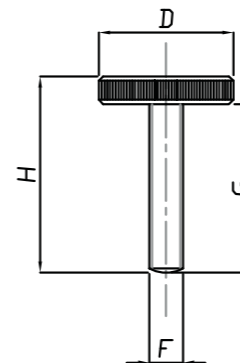
Flat Knurl Nuts/Screws

Order No. Internal Thread	Internal Thread d ₁	Order No. External Thread	External Thread d ₁	Length of Screw l (mm)				Size d ₂ mm	d ₃ mm	h mm	k mm
52 12 03	M 3	52 12 03 ...	M 3	6	10	16		12	6	3	2,5
52 16 04	M 4	52 16 04 ...	M 4	8	10	12	16	16	8	4	3,5
52 20 05	M 5	52 20 05 ...	M 5		10	12	16	20	10	5	4
52 24 06	M 6	52 24 06 ...	M 6		12	16	20	24	12	6	5
52 30 08	M 8	52 30 08 ...	M 8		16	20	25	30	16	8	6
52 36 10	M 10	52 36 10 ...	M 10		20	25	30	40	20	10	8

... Please indicate here the desired length of screw e.g. 020 for l = 20 mm.

Flat Knurl Nuts/Screws INOX

DIN 467 resp. DIN 653



CODICE - CODE	descrizione - description	DIMENSIONI PRINCIPALI - MAIN DIMENSIONS			
		D	F	G	H
3017	VOLANTINO MASCHIO M5x10	20	M5	10	14
3018	VOLANTINO MASCHIO M5x12	20	M5	12	16
3019	VOLANTINO MASCHIO M5x16	20	M5	16	20
3020	VOLANTINO MASCHIO M5x20	20	M5	20	24
3021	VOLANTINO MASCHIO M6x12	24	M6	12	17
3022	VOLANTINO MASCHIO M6x16	24	M6	16	21
3023	VOLANTINO MASCHIO M6x20	24	M6	20	25
3024	VOLANTINO MASCHIO M6x25	24	M6	25	30
3025	VOLANTINO MASCHIO M6x30	24	M6	30	35
3026	VOLANTINO MASCHIO M8x12	30	M8	12	18
3027	VOLANTINO MASCHIO M8x16	30	M8	16	22
3028	VOLANTINO MASCHIO M8x20	30	M8	20	26
3029	VOLANTINO MASCHIO M8x25	30	M8	25	31
3030	VOLANTINO MASCHIO M8x30	30	M8	30	36

Elevated Knurl Nuts/Screws

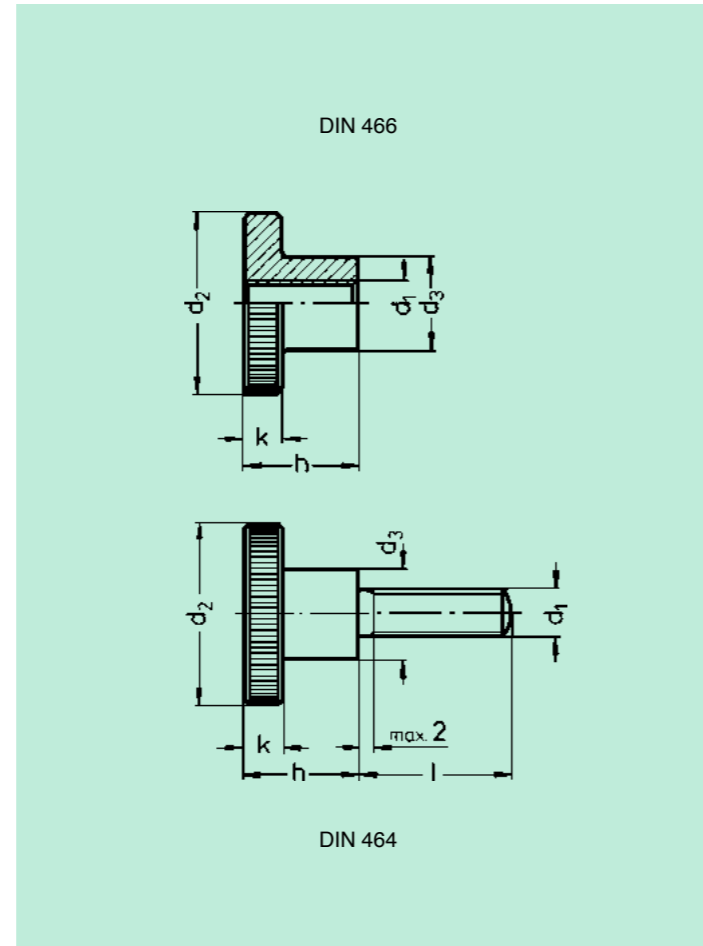
from Steel resp. Stainless Steel
DIN 466 resp. 464

INOX



Model: Steel, stability class 5.8, visible fine turning end surface, black oxide finished. Stainless steel 1.4305, matt finished.

Also available from polyamide.



Elevated Knurl Nuts/Screws - Steel

Order No.	Internal Thread	Order No.	External Thread	Length of Screw l (mm)	Size d ₂ mm	d ₃ mm	h mm	k mm
36 12 03	M 3	36 12 03 ...	M 3	6 10 12 16	12	6	7,5	2,5
36 16 04	M 4	36 16 04 ...	M 4	5 8 10 12 16 20	16	8	9,5	3,5
36 20 05	M 5	36 20 05 ...	M 5	6 8 10 12 16 20	20	10	11,5	4
36 24 06	M 6	36 24 06 ...	M 6	8 10 12 16 20 25	24	12	16	5
36 30 08	M 8	36 30 08 ...	M 8	12 16 20 25 30 40	30	16	18	6
36 36 10	M 10	36 36 10 ...	M 10	16 20 25 30 40	36	20	23	8

... Please indicate here the desired length of screw e.g. 020 for l = 20 mm.

Elevated Knurl Nuts/Screws - Stainless Steel

Order No.	Internal Thread	Order No.	External Thread	Length of Screw l (mm)	Size d ₂ mm	d ₃ mm	h mm	k mm
36 16 04 E0A	M 4	36 16 04 ... E0A	M 4	8 10 12 16	16	8	9,5	3,5
36 20 05 E0A	M 5	36 20 05 ... E0A	M 5	10 12 16 20	20	10	11,5	4
36 24 06 E0A	M 6	36 24 06 ... E0A	M 6	12 16 20 30 24	24	12	15	5
36 30 08 E0A	M 8	36 30 08 ... E0A	M 8	16 20 30 30	30	16	18	6

... Please indicate here the desired length of screw e.g. 020 for l = 20 mm.

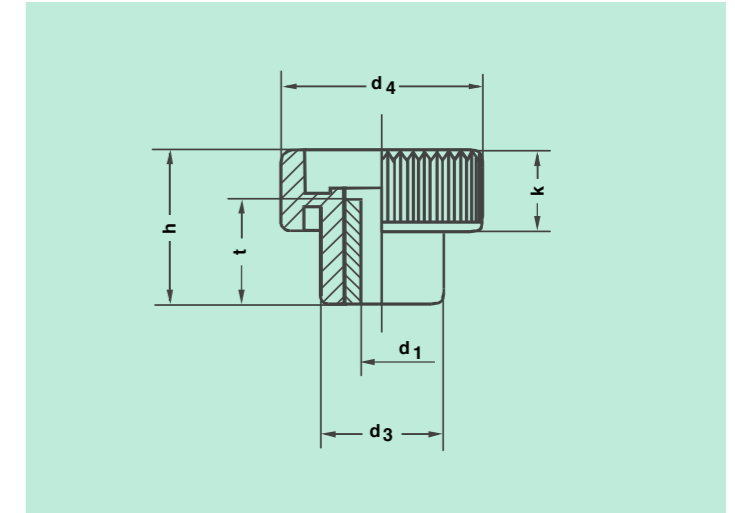
Knurl Nuts

threaded through-bore

INOX



Model: Body from polyamide PA 6. Bush from brass resp. from stainless steel.



Knurl Nuts threaded through-bore

Order No. Bush from brass	Order No. Bush from Stainless Steel	Internal Thread d ₁	d ₃ mm	d ₄ mm	h mm	t mm	k mm
57 20 04 E5A		M 4	12	20	13	11	8
57 20 05 E5A	57 20 05 E0A	M 5					
57 25 06 E5A	57 25 06 E0A	M 6	15	25	19	14	9
57 30 08 E5A	57 30 08 E0A	M 8	18	30	21	14	11
57 35 10 E5A	57 35 10 E0A	M 10	21	35	28	17	13

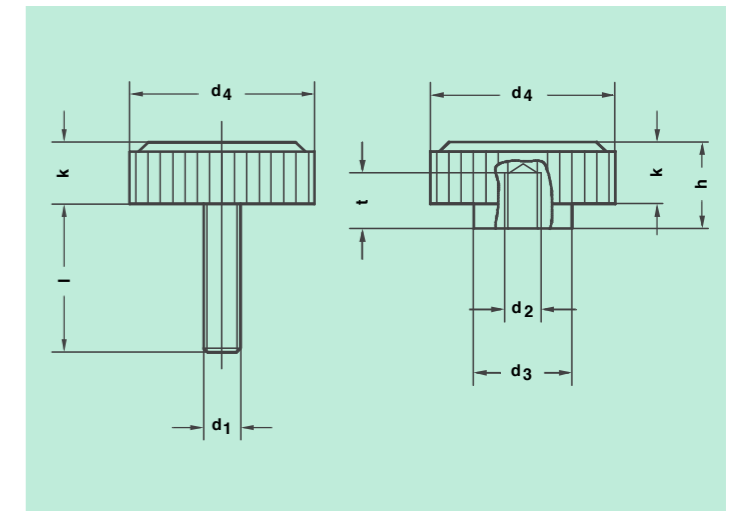
Knurl Nuts/Screws

resp. Height Adjusters rough



Model: Body from plastic PA 6, black polished. Bush from brass. Screw from steel, zinc-plated.

Other colours on request.



Knurl Nuts/Screws resp. Height Adjusters, rough knurl

Order No. Internal Thread	Internal Thread d ₂	Thread Depth t	d ₃ mm	h mm	Order No. External Thread	External Thread d ₁	Length of Screw l (mm)	Size d ₄ mm	k mm
					27 30 05 ... A	M 5	20	30	10
27 30 06 A	M 6	9	16	14	27 30 06 ... A	M 6	16 20 30	40	30 10
27 30 08 A	M 8	12	16	14	27 30 08 ... A	M 8	16 20 30	40	30 10

... Please indicate here the desired length of screw e.g. 020 for l = 20 mm.

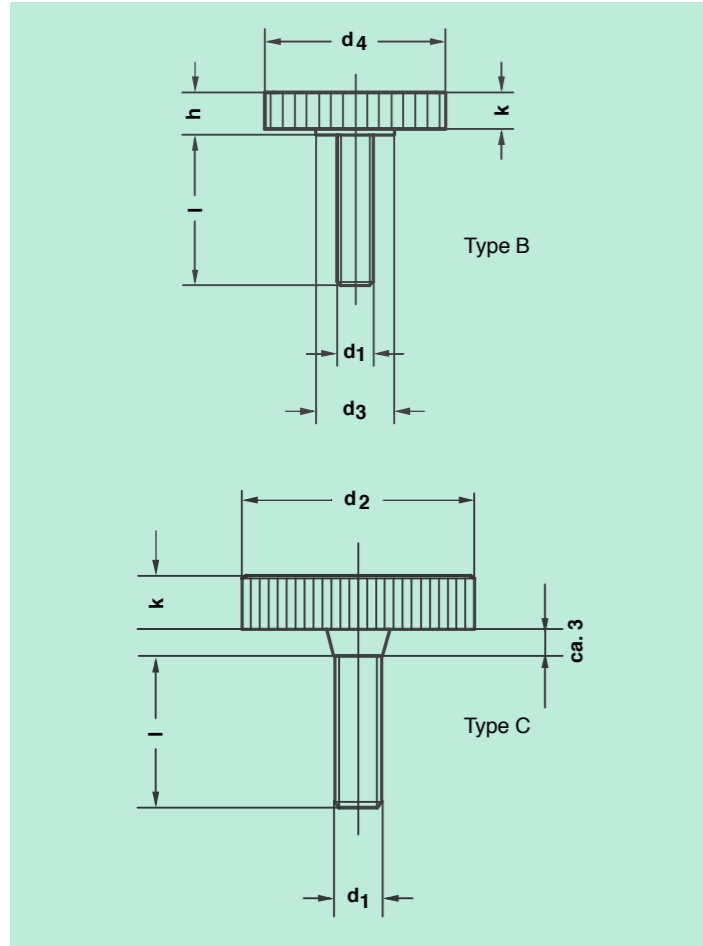
Knurl Screws

resp. Height Adjusters



Model: Body from polyamide, black. Screw from steel, zinc-plated.

Other colours on request.



Knurl Screws resp. Height Adjusters Type B

Order No.	External Thread d_1	Length of Screw l (mm)			Size			
		d_4 mm	d_3 mm	h mm	k mm	d_1 mm	d_2 mm	d_3 mm
27 14 04 ... B	M 4	14	15	19	14	10	6	5
27 20 04 ... B	M 4	10	15					
27 20 05 ... B	M 5	10	15	20	20	13	7	6
27 20 06 ... B	M 6	10	15	20	20	13	7	6

... Please indicate here the desired length of screw e.g. 020 for $l = 20$ mm.

Knurl Screws resp. Height Adjusters Type C

Order No.	External Thread d_1	Length of Screw l (mm)			Size	
		d_2 mm	k mm	d_1 mm	d_2 mm	k mm
27 25 06 ... C	M 6	17	27	25	7	
27 30 06 ... C	M 6	17	27	30	7	
27 30 08 ... C	M 8	16	26	36	7	
27 35 08 ... C	M 8	16	26	36	7	
27 35 10 ... C	M 10	15	35	45	7	

... Please indicate here the desired length of screw e.g. 016 for $l = 16$ mm.

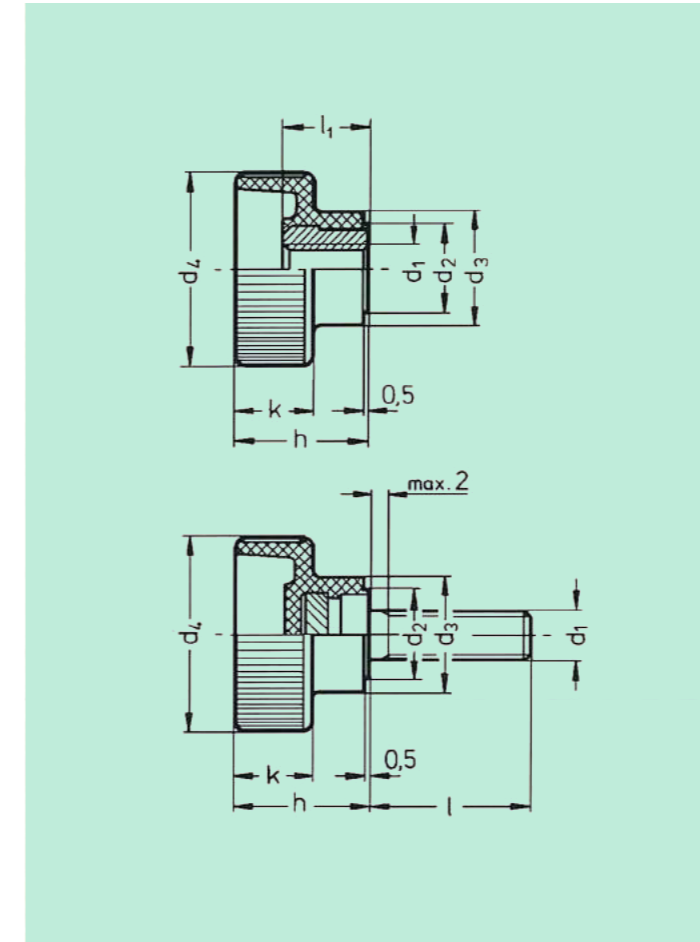
Knurl Nuts / Screws

INOX



Model: Body Termoplast (Polyamid)
Black, Polished

Socket Screw made of galvanized steel or stainless steel
Nirosta 1.4305.



Knurl Nuts / Screws

Order No. Internal Thread	Internal Thread d_1	l_1 mm	Order No. External Thread	External Thread d_1	Length of Screw l (mm)				d_2 mm	d_3 mm	d_4 mm	h mm	k mm	
					16	20	25	30						
33 19 04	M 4	9	33 19 04 ...	M 4	10	15	20	9	12	19	14	8		
33 19 05	M 5		33 19 05 ...	M 5	10	15	20	25						
33 24 06	M 6	10,5	33 24 06 ...	M 6	10	16	20	25	30	11	14	24	16,5	9,5
33 30 08	M 8	11,5	33 30 08 ...	M 8	16	20	25	30	40	13	16	30	19,5	11
33 36 10	M 10	14	33 36 10 ...	M 10	20	25	30	40	15	18	36	22,5	12,5	

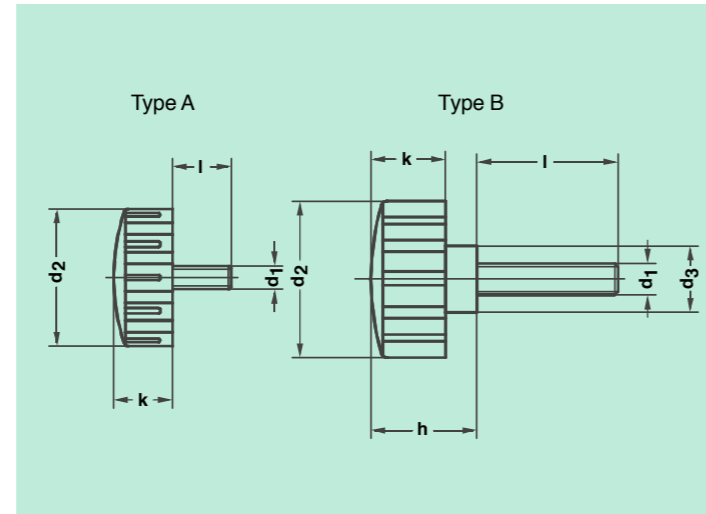
... Please indicate here the desired length of screw e.g. 020 for $l = 20$ mm.

Knurl Nuts / Screws - Nirosta - Stainless steel

Order No. Internal Thread	Internal Thread d_1	l_1 mm	Order No. External Thread	External Thread d_1	Length of Screw l (mm)				d_2 mm	d_3 mm	d_4 mm	h mm	k mm
					16	20	25	30					
33 19 05 E0A	M 5	9	33 19 05 ... E0A	M 5	10	15	20	25	9	12	19	14	8
33 24 06 E0A	M 6	10,5	33 24 06 ... E0A	M 6	16	20	25	30	11	14	24	16,5	9,5
33 30 08 E0A	M 8	11,5	33 30 08 ... E0A	M 8	20	25	30	40	13	16	30	19,5	11

... Please indicate here the desired length of screw e.g. 020 for $l = 20$ mm.

Knurl Screws



Model: Body from polyamide, black. Screw from steel, zinc-plated.

Type A: without collar.
Type B: with collar.

Internal Thread on request.

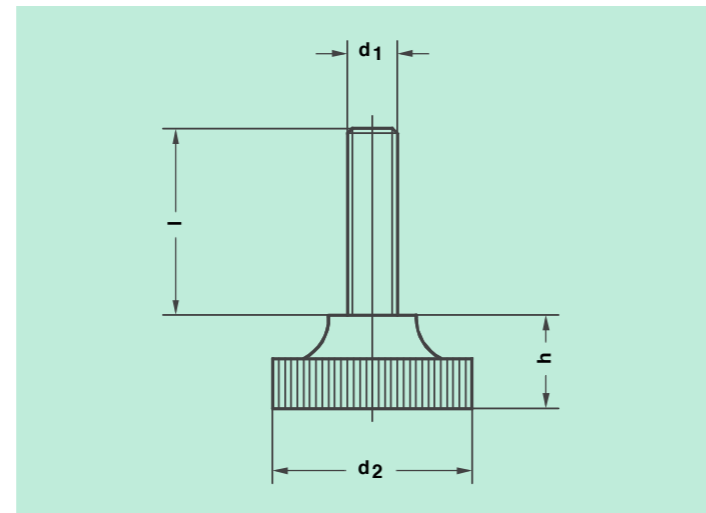
Knurl Screws

Order No.	Order No.	External Thread d ₁	Length of Screw l (mm)			Size d ₂ mm	k mm	h mm
Type A	Type B							
86 30 06 ...		M 6	12	15	20	30	12	-
86 35 06 ...		M 6		15	20	30	35	-
86 35 08 ...		M 8			20	30		
	86 40 06 ...	M 6	16	21	26	31	40	19
	86 40 08 ...	M 8				31		27

... Please indicate here the desired length of screw e.g. 020 for l = 20 mm.

Knurl Screws

resp. Height Adjusters



Model: No-slip body from rubber, black. Screw from steel, zinc-plated.

Knurl Screws resp. Height Adjusters

Order No.	External Thread d ₁	Length of Screw l (mm)			Size d ₂ mm	h mm
78 32 06 ...	M 6	20	30	40	32	14,5
78 32 08 ...	M 8	20	30	40	32	14,5
78 32 10 ...	M 10	30	40		32	14,5

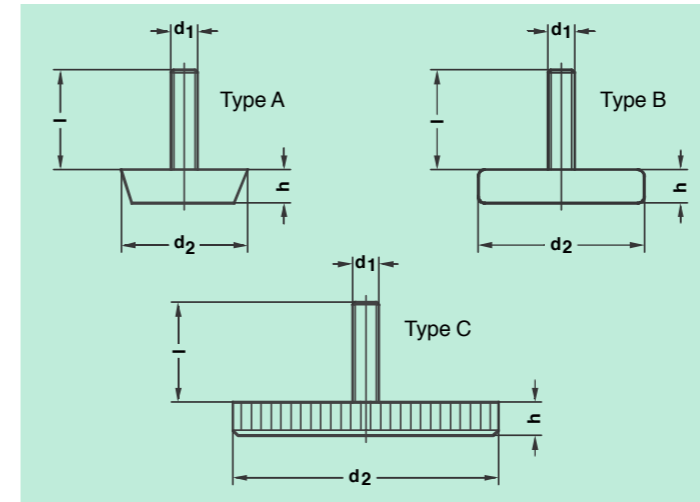
... Please indicate here the desired length of screw e.g. 020 for l = 20 mm.

Levelling Elements

resp. Height Adjusters



Model: Disk from polyamide, black. Screw from steel, zinc-plated.



Levelling Elements resp. Height Adjusters

Order No.	Order No.	Order No.	External Thread d ₁	Length of Screw l (mm)			Size d ₂ mm	h mm
Form A	Type B	Type C						
80 38 06 ... A			M 6	15	30	38	10	
80 38 08 ... A			M 8		20 30			
	80 50 06 ... B		M 6		20	50	10	
	80 50 08 ... B		M 8		20			
	80 50 10 ... B		M 10		20			
		80 60 08 ... C	M 8	15	35	55	60	
		80 60 10 ... C	M 10	15	35	55	8	

... Please indicate here the desired length of screw e.g. 020 for l = 20 mm.

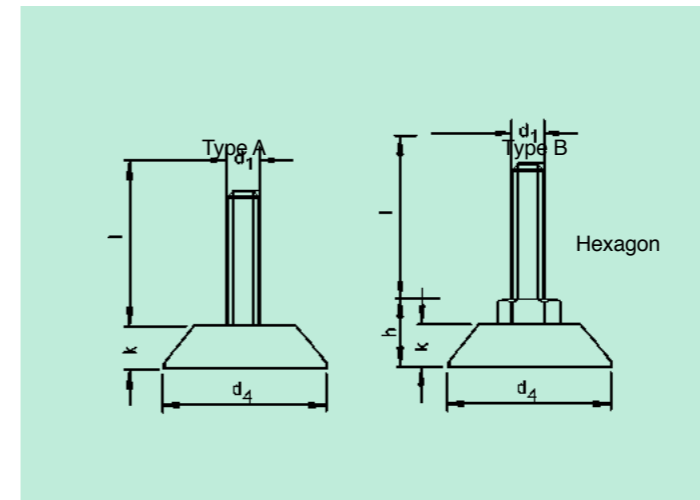
Levelling Elements

resp. Height Adjusters



Model: Body from polyamide, black. Screw from steel, zinc-plated.

Type A: without Hexagon.
Type B: with Hexagon.



Levelling Elements resp. Height Adjusters

Order No.	Order No.	External Thread d ₁	Length of Screw l (mm)			Size d ₂ mm	h mm	k mm	sw
Type A	Type B								
28 30 06 ... A	28 30 06 ... B	M 6	20	30	40	30	15	10	13
28 30 08 ... A	28 30 08 ... B	M 8	20	30	40				
28 47 08 ... A	28 47 08 ... B	M 8	20	40	50	47	15	10	13
28 47 10 ... A	28 47 10 ... B	M 10		30	50	60			

... Please indicate here the desired screw length e.g. 020 for l = 20 mm.

Spring Plungers

INOX



Model with Hexagon Socket and Pressure Pin:
Capable of being assembled from both sides.

Type A: Insert from steel, black oxide finished. Pressure pin of steel, hardened.

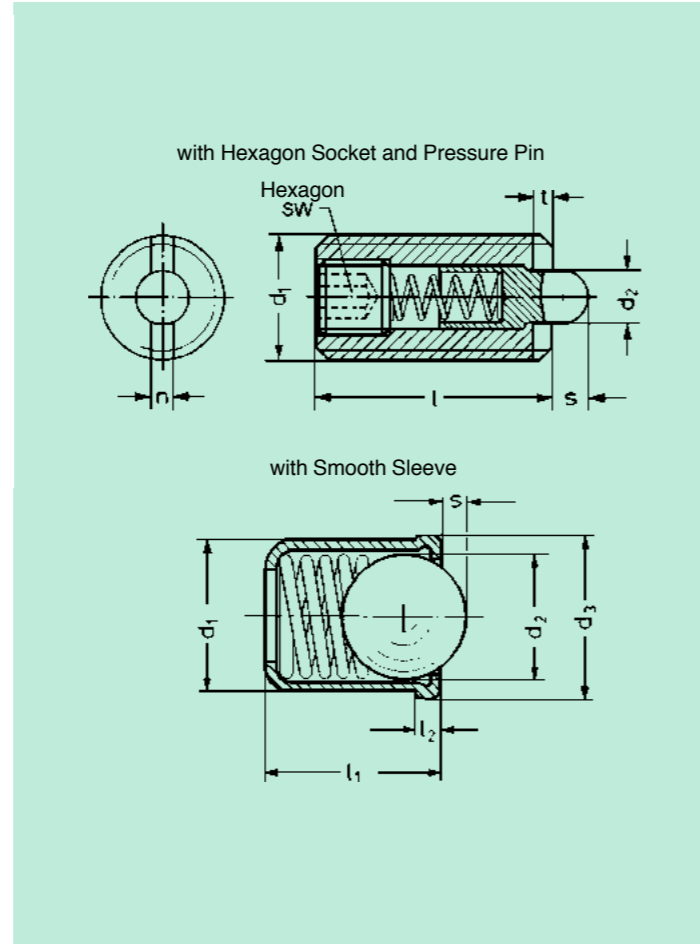
Type D: Insert from steel. Pressure pin from plastic (delrin).

Type AN: Complete from stainless steel available on request.

Model with Smooth Sleeve:

Type K: Sleeve from plastic (delrin), ball from stainless steel.

Type N: Sleeve and ball from stainless steel.

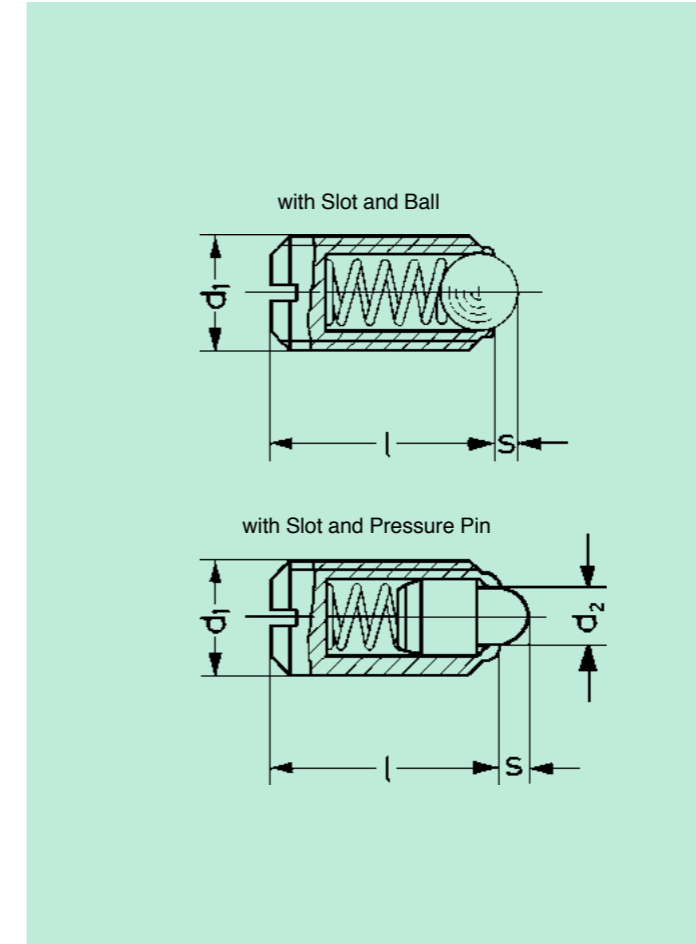


Spring Plungers with Hexagon Socket and Pressure Pin

Order No.	Order No.	d ₁	d ₂	l	s	n	t	sw	Initial Pressure approx. N	Final Pressure approx. N	Weight approx. g
Type A	Type D		mm	mm	mm	mm	mm				
41 104	41 204	M 4	1,5	15	1,5	0,6	0,6	1,3	5	15	0,8
41 105	41 205	M 5	2,4	18	2,3	1,2	0,8	1,5	7	20	1,3
41 106	41 206	M 6	2,7	20	2,5	1,3	0,9	2	7	20	2,5
41 108	41 208	M 8	3,5	22	3	1,5	1,4	2,5	9	35	6
41 110	41 210	M 10	4	22	3	1,5	1,4	3	9	35	9
41 112	41 212	M 12	6	28	4	2,7	2	4	15	55	16
41 116	41 216	M 16	7,5	32	5	3,2	2,5	5	45	100	35
41 120		M 20	10	40	7	3,7	3	6	70	140	65
41 124		M 24	12	52	10	3,7	3	8	80	180	120

Spring Plungers with Smooth Sleeve

Order No.	d ₁	Initial Pressure approx. N	Final Pressure approx. N	Weight approx. g	Order No.	d ₁	Initial Pressure approx. N	Final Pressure approx. N	Weight approx. g	d ₂	d ₃	l ₁	l ₂	s
Type K	mm				Type N	mm				mm	mm	mm	mm	mm
42 204	4	3,5	7	0,17	42 104	4	2	5	0,3	3	4,6	5	1	0,9
42 205	5	5	9	0,35	42 105	5	4	7	0,6	4	5,6	6	1	1
42 206	6	8	14	0,68	42 106	6	6	12	1,0	5	6,5	7	1	1,5
42 208	8	9	17	1,45	42 108	8	6	12	2,0	6,5	8,5	9	1	1,8



Spring Plungers with Slot and Ball

Order No.	Order No.	d ₁	Ball Ø	l	s	Initial Pressure approx. N	Final Pressure approx. N	Weight approx. g
Type K	Type KN		mm	mm	mm			
40 103	40 203	M 3	1,5	7	0,5	2	3	0,2
40 104	40 204	M 4	2,5	9	0,8	6	12	0,6
40 105	40 205	M 5	3	12	0,9	7	13	0,9
40 106	40 206	M 6	3,5	14	1	9	15	1,5
40 108	40 208	M 8	5	16	1,5	20	35	3,5
40 110	40 210	M 10	6	19	2	25	45	7
40 112	40 212	M 12	8	22	2,5	35	60	10
40 116	40 216	M 16	10	24	3,5	65	110	24
40 120	40 220	M 20	12	30	4,5	90	140	43
40 124	40 224	M 24	15	34	5,5	125	180	70

Spring Plungers with Slot and Pressure Pin

Order No.	d ₁	d ₂	l	s	Initial Pressure approx. N	Final Pressure approx. N
Type K		mm	mm	mm		
43 104	M 4	1,8	9	1,5	6	16
43 105	M 5	2,4	12	2	6	17
43 106	M 6	2,7	14	2	7	18
43 108	M 8	4	16	2	20	35
43 110	M 10	4,5	19	2,5	20	45
43 112	M 12	6	22	3,5	25	60
43 116	M 16	8,5	24	4,5	50	95
43 120	M 20	10	30	6,5	80	140

Spring Plungers

INOX



Spring Plungers are used for locking and positioning. They also serve for push-on and push-off operations. They are used for example in fixture and tool shops.

Model Spring Plungers with Slot and Ball:

Type K: Steel, black oxide finished. Ball hardened and blank.

Type KN: Stainless steel, material no. 1.4305, blank. Ball hardened and blank. Heat-resistance: 250°-350° C.

Model Spring Plungers with Slot and Pressure Pin:

Type K: Steel, black oxide finished. Pressure pin hardened.



Vorteile

- Grounding is implemented by segment cutting edge (2.) or scraping tooth (3.).
- Tested according to DIN EN 61439-1 (VDE 0660 part 600): 2012-06 "Low Voltage Switchgear Combinations".
- Sliding coating ensures low screw-in torques.
- Hexagon socket drive in accordance with DIN EN ISO 10664 no. 30 (4.).
- DIRAK screws are shaped for applications without a nut thread so that they cut a metric nut thread.
- The counter thread is formed due to the non-circular cross-section and the slightly conical design.

Werkstoffe

- **Screw:** steel (10B21), strength 8.8 ISO898, zinc plated, sliding coated

Anmerkungen

- Please request our data sheet with detailed technical information.
- a) metric thread M6.
- b) metric thread cutting screw M6 according to DIN 7500. (1.)
- 5. Embossing at a cylindrical hole for flush surface.

5. Embossing at a cylindrical hole for flush surface.

5. Embossing at a cylindrical hole for flush surface.

5. Embossing at a cylindrical hole for flush surface.

5. Embossing at a cylindrical hole for flush surface.

5. Embossing at a cylindrical hole for flush surface.

5. Embossing at a cylindrical hole for flush surface.

5. Embossing at a cylindrical hole for flush surface.

5. Embossing at a cylindrical hole for flush surface.

5. Embossing at a cylindrical hole for flush surface.

5. Embossing at a cylindrical hole for flush surface.

5. Embossing at a cylindrical hole for flush surface.

5. Embossing at a cylindrical hole for flush surface.

5. Embossing at a cylindrical hole for flush surface.

5. Embossing at a cylindrical hole for flush surface.

5. Embossing at a cylindrical hole for flush surface.

5. Embossing at a cylindrical hole for flush surface.

5. Embossing at a cylindrical hole for flush surface.

5. Embossing at a cylindrical hole for flush surface.

5. Embossing at a cylindrical hole for flush surface.

5. Embossing at a cylindrical hole for flush surface.

5. Embossing at a cylindrical hole for flush surface.

5. Embossing at a cylindrical hole for flush surface.

5. Embossing at a cylindrical hole for flush surface.

5. Embossing at a cylindrical hole for flush surface.

5. Embossing at a cylindrical hole for flush surface.

5. Embossing at a cylindrical hole for flush surface.

5. Embossing at a cylindrical hole for flush surface.

5. Embossing at a cylindrical hole for flush surface.

5. Embossing at a cylindrical hole for flush surface.

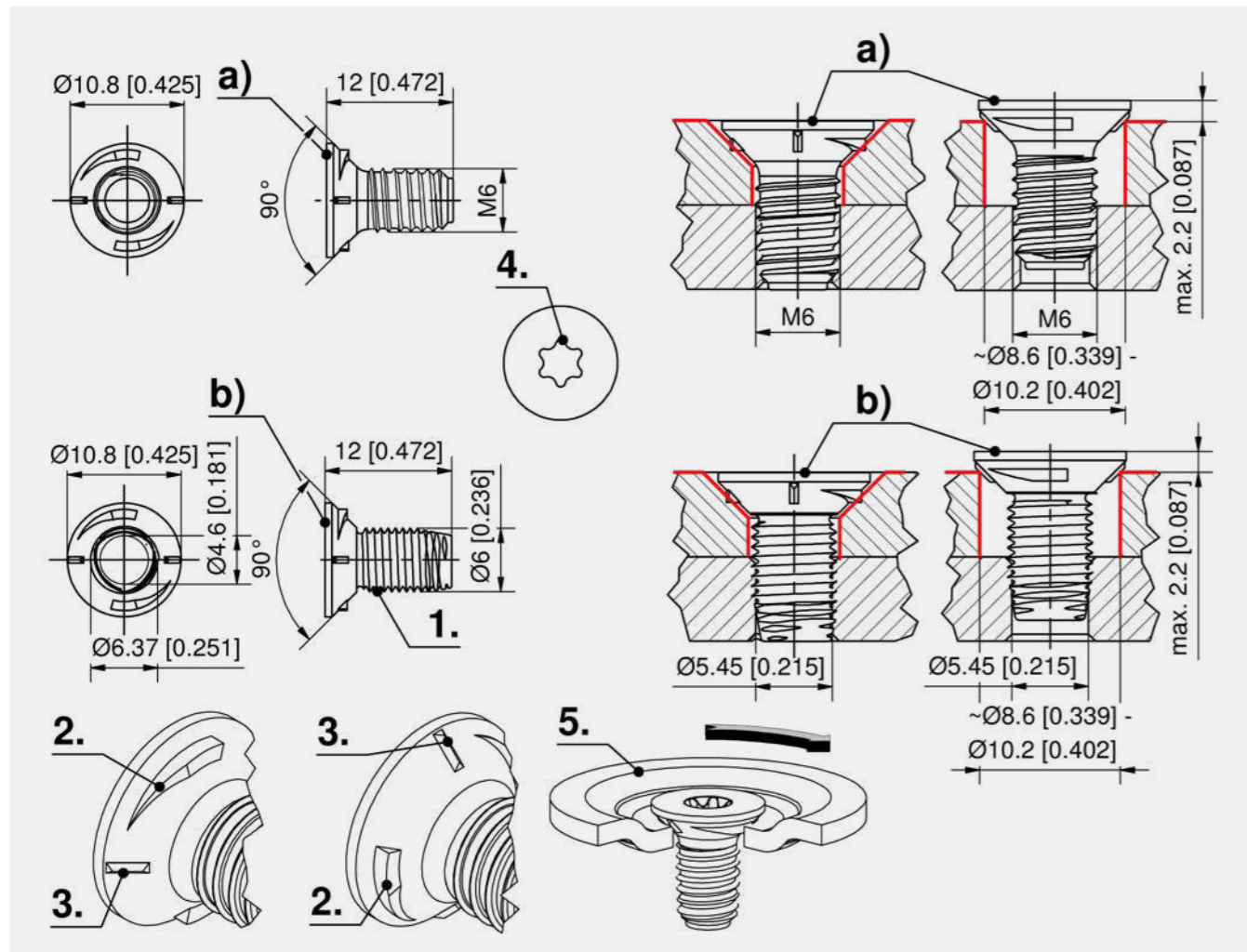
5. Embossing at a cylindrical hole for flush surface.

5. Embossing at a cylindrical hole for flush surface.

5. Embossing at a cylindrical hole for flush surface.

5. Embossing at a cylindrical hole for flush surface.

5. Embossing at a cylindrical hole for flush surface.



Grounding countersunk screws

	Part Number	Version	Dimension	Delivery Unit
a)	800-9001.00-00000	metric thread	M6 x 12	100 pcs.
b)	800-9002.00-00000	metric thread cutting	Ø6 x 12	100 pcs.



all product details on DIRAK.com



Advantages

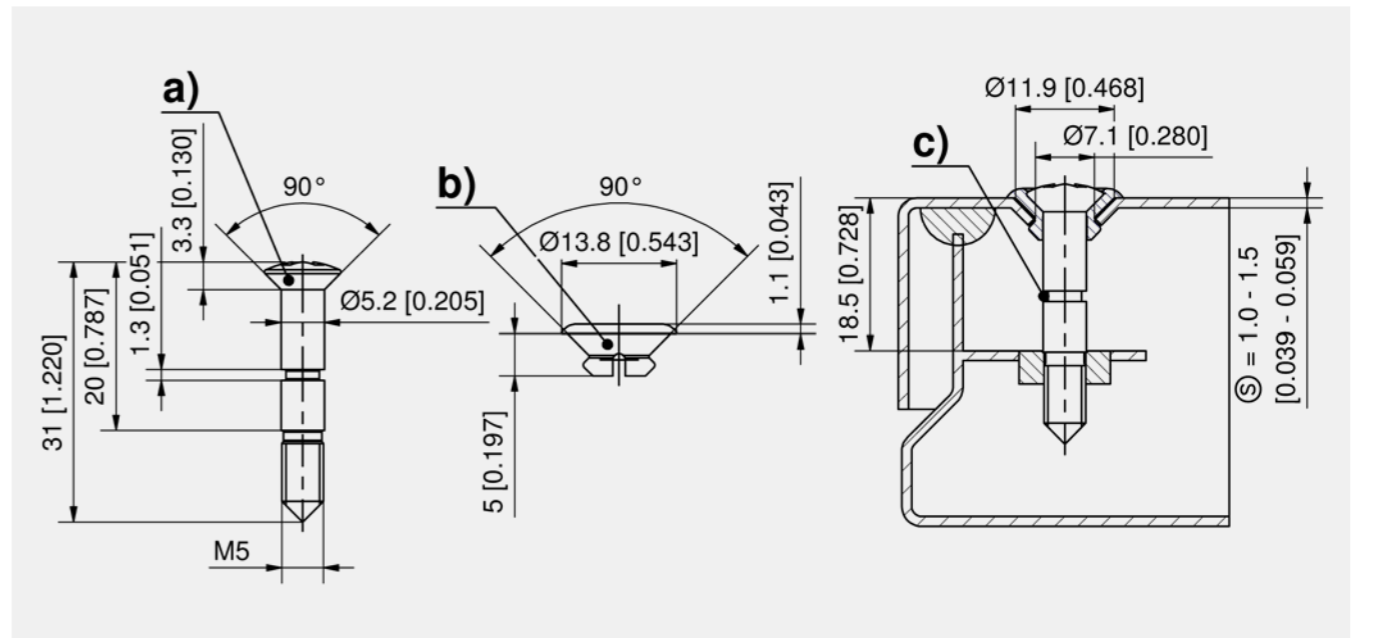
- Screw assembly consists of raised countersunk M5x30 Phillips H2 screw and sleeve.
- Meets IP66 certification (applicable for installation example shown below with even compression of the foam/glued seal).
- Captive by using o-ring 839-3770.00-00412.

Materials

- **Screw:** steel, zinc plated
- **Sleeve:** PA, black
- **O-ring:** NBR, black

Remarks

Additional lengths and materials of the screw available on request.



Screw assembly

	Part Number	Name	Material	Surface	Delivery Unit
a)	202-1103.15-00530	Raised countersunk screw, M5x30	steel	zinc plated	50 pcs.
b)	203-0655.61-00000	Sleeve	TPV Santoprene	black	50 pcs.



Specific accessories

- c) 839-3770.00-00412 O-ring 4 x 1.2mm



all product details on DIRAK.com



Advantages

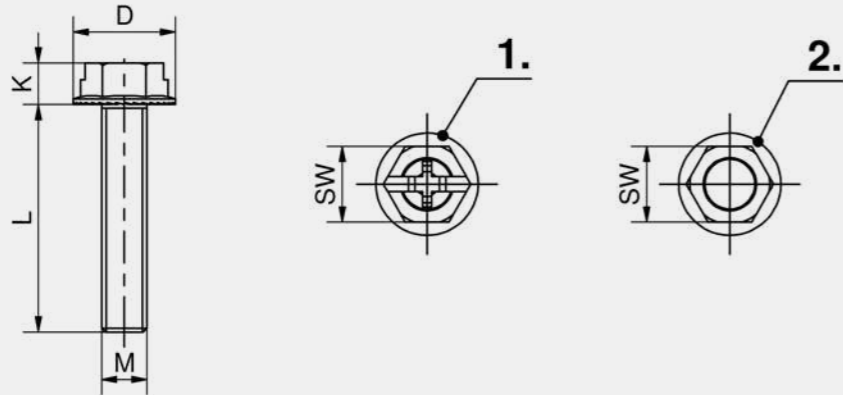
- Serrated screw with under-head serrations with Phillips/slot head.

Materials

- Serrated screws:** steel, zinc plated property class 5.8 or AISI 304
- Versions with powder locking dot on request.

Remarks

- 202-0606.04-00000 = only available with hexagon head.
- 202-0635.00-00000 = as long as stock lasts, hexagon head property class 8.8.
- 1. version Phillips/ slot
- 2. version hexagon



Serrated screws

Part Number	D	k	SW	L	Thread size	Material	Surface	Delivery Unit
202-0506.00-00000	10 mm	4.5 mm	8 mm	6 mm	M5	steel	zinc plated	200 pcs.
202-0508.00-00000	10 mm	4.5 mm	8 mm	8 mm	M5	steel	zinc plated	200 pcs.
202-0606.00-00000	13.5 mm	5.5 mm	10 mm	6 mm	M6	steel	zinc plated	200 pcs.
202-0607.00-00000	13.5 mm	5.5 mm	10 mm	7 mm	M6	steel	zinc plated	200 pcs.
202-0608.00-00000	13.5 mm	5.5 mm	10 mm	8 mm	M6	steel	zinc plated	200 pcs.
202-0610.00-00000	13.5 mm	5.5 mm	10 mm	10 mm	M6	steel	zinc plated	200 pcs.
202-0616.00-00000	13.5 mm	5.5 mm	10 mm	16 mm	M6	steel	zinc plated	200 pcs.
202-0620.00-00000	13.5 mm	5.5 mm	10 mm	20 mm	M6	steel	zinc plated	200 pcs.
202-0625.00-00000	13.5 mm	5.5 mm	10 mm	25 mm	M6	steel	zinc plated	200 pcs.
202-0630.00-00000	13.5 mm	5.5 mm	10 mm	30 mm	M6	steel	zinc plated	200 pcs.
202-0635.00-00000	13.5 mm	5.5 mm	10 mm	35 mm	M6	steel	zinc plated	200 pcs.
202-0640.00-00000	13.5 mm	5.5 mm	10 mm	40 mm	M6	steel	zinc plated	200 pcs.
202-0650.00-00000	13.5 mm	5.5 mm	10 mm	50 mm	M6	steel	zinc plated	200 pcs.
202-0810.00-00000	16.5 mm	7.5 mm	13 mm	10 mm	M6	steel	zinc plated	200 pcs.
202-0606.04-00000	13.5 mm	5.5 mm	10 mm	6 mm	M6	AISI 304	stainless steel	200 pcs.
202-0608.04-00000	13.5 mm	5.5 mm	10 mm	8 mm	M6	AISI 304	stainless steel	200 pcs.
202-0610.04-00000	13.5 mm	5.5 mm	10 mm	10 mm	M6	AISI 304	stainless steel	200 pcs.
202-0616.04-00000	13.5 mm	5.5 mm	10 mm	16 mm	M6	AISI 304	stainless steel	200 pcs.



Advantages

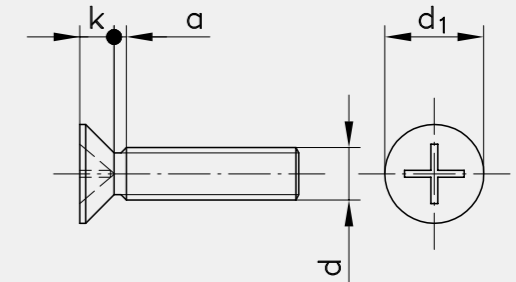
- Countersunk machine screws according to DIN 965 DIN-EN-ISO 7046.
- Hex. nut according to DIN 934 DIN-EN-ISO 4032 and DIN 985 DIN-EN-ISO 10511.

Materials

- Countersunk machine screws and hex. nuts:** steel, zinc plated



$d = M5$	$d = M6$	$d = M8$
$a = 1.6$	$a = 2.0$	$a = 2.5$
$k = 2.5$	$k = 3.0$	$k = 4.0$
$d_1 = 9.2$	$d_1 = 11.0$	$d_1 = 14.5$



Countersunk screws

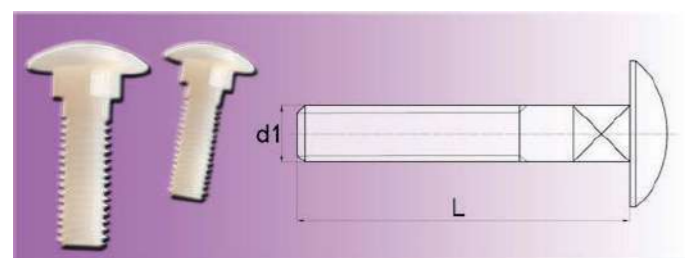
Part Number	Thread size	L	Delivery Unit
860-0965.00-00512	M5	12 mm	200 pcs.
860-0965.00-00516	M5	16 mm	200 pcs.
860-0965.00-00520	M5	20 mm	200 pcs.
860-0965.00-00525	M5	25 mm	200 pcs.
860-0965.00-00530	M5	30 mm	200 pcs.
860-0965.00-00540	M5	40 mm	200 pcs.
860-0965.00-00612	M6	12 mm	200 pcs.
860-0965.00-00616	M6	16 mm	200 pcs.
860-0965.00-00620	M6	20 mm	200 pcs.
860-0965.00-00625	M6	25 mm	200 pcs.

Hexagon nut

Part Number	Thread size	self-locking	Delivery Unit
860-0934.00-00005	M5		200 pcs.
860-0985.00-00005	M5	Yes	200 pcs.
800-0035.00-00000	M6		200 pcs.
800-0074.00-00000	M6	Yes	200 pcs.
860-0934.00-00008	M8		200 pcs.
800-0036.00-00000	M8		200 pcs.
800-0022.00-00000	M8	Yes	200 pcs.



Screws according to DIN of plastic | Mushroom head bolts ~DIN 603 PA



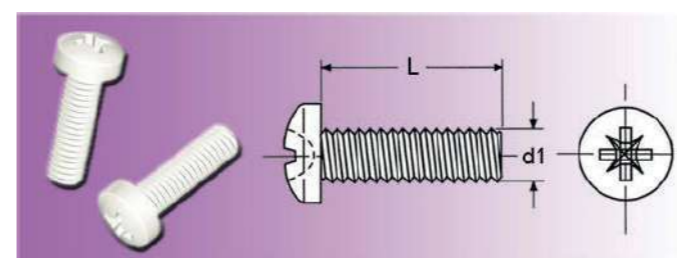
Mushroom head bolts ~DIN 603

Minimum order quantity: 1,000 pcs. per dimension and order

Material: PA 6.6
Colour: natural

Part no.	d1 x L	Part no.	d1 x L	Part no.	d1 x L
2450509	M5 x 9	2450611	M6 x 11	2450818	M8 x 18
2450510	M5 x 10	2450612	M6 x 12	2450819	M8 x 19
2450511	M5 x 11	2450615	M6 x 15	2450820	M8 x 20
2450512	M5 x 12	2450616	M6 x 16	2450821	M8 x 21
2450513	M5 x 13	2450618	M6 x 18	2450822	M8 x 22
2450514	M5 x 14	2450619	M6 x 19	2450823	M8 x 23
2450515	M5 x 15	2450620	M6 x 20	2450825	M8 x 25
2450517	M5 x 17	2450621	M6 x 21	2450828	M8 x 28
2450518	M5 x 18	2450624	M6 x 24	2450830	M8 x 30
2450519	M5 x 19	2450625	M6 x 25	2450835	M8 x 35
2450520	M5 x 20	2450629	M6 x 29	2450840	M8 x 40
2450521	M5 x 21	2450630	M6 x 30	2450845	M8 x 45
2450522	M5 x 22	2450634	M6 x 34	2450850	M8 x 50
2450523	M5 x 23	2450639	M6 x 39	2450855	M8 x 55
2450524	M5 x 24	2450644	M6 x 44	2450860	M8 x 60
2450525	M5 x 25	2450649	M6 x 49	2450865	M8 x 65
2450528	M5 x 28	2450654	M6 x 54	2450870	M8 x 70
2450530	M5 x 30	2450664	M6 x 64	2450875	M8 x 75
2450533	M5 x 33	2450810	M8 x 10	2450880	M8 x 80
2450535	M5 x 35	2450811	M8 x 11	2450885	M8 x 85
2450540	M5 x 40	2450812	M8 x 12	2450890	M8 x 90
2450545	M5 x 45	2450813	M8 x 13	2450895	M8 x 95
2450550	M5 x 50	2450814	M8 x 14	24508100	M8 x 100
2450555	M5 x 55	2450815	M8 x 15	24508120	M8 x 120
2450609	M6 x 9	2450816	M8 x 16		
2450610	M6 x 10	2450817	M8 x 17		

Screws according to DIN of plastic | Raised head screws ~DIN 7985 PA



Raised head screws ~DIN 7985 (~DIN 34812)

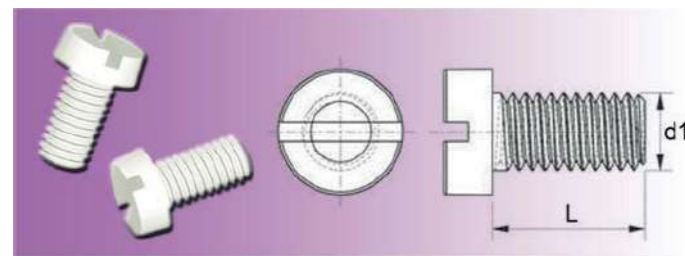
Minimum order quantity: 1,000 pcs. per dimension and order

Material: PA 6.6
Colour: natural

Part no.	d1 x L	Part no.	d1 x L	Part no.	d1 x L
2490304	M3 x 4	2490428	M4 x 28	2490605	M6 x 5
2490305	M3 x 5	2490430	M4 x 30	2490606	M6 x 6
2490306	M3 x 6	2490435	M4 x 35	2490607	M6 x 7
2490308	M3 x 8	2490440	M4 x 40	2490608	M6 x 8
2490310	M3 x 10	2490445	M4 x 45	2490610	M6 x 10
2490312	M3 x 12	2490450	M4 x 50	2490612	M6 x 12
2490314	M3 x 14	2490455	M4 x 55	2490615	M6 x 15
2490315	M3 x 15	2490460	M4 x 60	2490616	M6 x 16
2490316	M3 x 16	2490470	M4 x 70	2490617	M6 x 17
2490318	M3 x 18	2490504	M5 x 4	2490620	M6 x 20
2490320	M3 x 20	2490506	M5 x 6	2490625	M6 x 25
2490322	M3 x 22	2490507	M5 x 7	2490630	M6 x 30
2490325	M3 x 25	2490508	M5 x 8	2490635	M6 x 35
2490328	M3 x 28	2490509	M5 x 9	2490640	M6 x 40
2490330	M3 x 30	2490510	M5 x 10	2490645	M6 x 45
2490333	M3 x 33	2490512	M5 x 12	2490650	M6 x 50
2490335	M3 x 35	2490513	M5 x 13	2490655	M6 x 55
2490340	M3 x 40	2490514	M5 x 14	2490660	M6 x 60
2490345	M3 x 45	2490515	M5 x 15	2490670	M6 x 70
2490404	M4 x 4	2490516	M5 x 16	2490675	M6 x 75
2490405	M4 x 5	2490517	M5 x 17	2490680	M6 x 80
2490406	M4 x 6	2490518	M5 x 18	2490690	M6 x 90
2490408	M4 x 8	2490520	M5 x 20	2490804	M8 x 4
2490410	M4 x 10	2490525	M5 x 25	2490805	M8 x 5
2490412	M4 x 12	2490530	M5 x 30	2490806	M8 x 6
2490413	M4 x 13	2490535	M5 x 35	2490807	M8 x 7
2490414	M4 x 14	2490540	M5 x 40	2490808	M8 x 8
2490415	M4 x 15	2490545	M5 x 45	2490809	M8 x 9
2490416	M4 x 16	2490550	M5 x 50	2490810	M8 x 10
2490418	M4 x 18	2490560	M5 x 60	2490811	M8 x 11
2490420	M4 x 20	2490565	M5 x 65	2490812	M8 x 12
2490423	M4 x 23	2490570	M5 x 70	2490813	M8 x 13
2490425	M4 x 25	2490580	M5 x 80	2490815	M8 x 15

Part no.	d1 x L	Part no.	d1 x L	Part no.	d1 x L
2490816	M8 x 16	2490830	M8 x 30	2490865	M8 x 65
2490817	M8 x 17	2490835	M8 x 35	2490870	M8 x 70
2490818	M8 x 18	2490840	M8 x 40	2490875	M8 x 75
2490820	M8 x 20	2490845	M8 x 45	2490880	M8 x 80
2490823	M8 x 23	2490850	M8 x 50	2490890	M8 x 90
2490825	M8 x 25	2490855	M8 x 55		
2490826	M8 x 26	2490860	M8 x 60		

Screws according to DIN of plastic | Slotted head screws ~DIN 84 PA



Slotted head screws ~DIN 84 (~DIN EN ISO 1207)

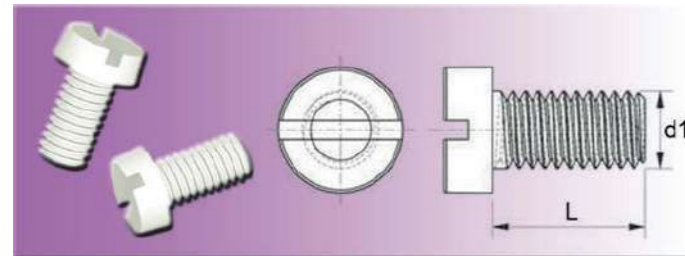
Minimum order quantity:
 500 pcs. for M3
 200 pcs. for M4, M5 + M6
 100 pcs. from M8 upwards

Material: PA 6.6
 Colour: natural

Part no.	d1 x L	Part no.	d1 x L	Part no.	d1 x L
2500304	M3 x 4	2500410	M4 x 10	2500509	M5 x 9
2500305	M3 x 5	2500412	M4 x 12	2500510	M5 x 10
2500306	M3 x 6	2500413	M4 x 13	2500512	M5 x 12
2500308	M3 x 8	2500414	M4 x 14	2500513	M5 x 13
2500310	M3 x 10	2500415	M4 x 15	2500514	M5 x 14
2500312	M3 x 12	2500416	M4 x 16	2500515	M5 x 15
2500314	M3 x 14	2500418	M4 x 18	2500516	M5 x 16
2500315	M3 x 15	2500420	M4 x 20	2500517	M5 x 17
2500316	M3 x 16	2500423	M4 x 23	2500518	M5 x 18
2500318	M3 x 18	2500425	M4 x 25	2500520	M5 x 20
2500320	M3 x 20	2500428	M4 x 28	2500525	M5 x 25
2500322	M3 x 22	2500430	M4 x 30	2500530	M5 x 30
2500325	M3 x 25	2500435	M4 x 35	2500535	M5 x 35
2500328	M3 x 28	2500440	M4 x 40	2500540	M5 x 40
2500330	M3 x 30	2500445	M4 x 45	2500545	M5 x 45
2500333	M3 x 33	2500450	M4 x 50	2500550	M5 x 50
2500335	M3 x 35	2500455	M4 x 55	2500560	M5 x 60
2500340	M3 x 40	2500460	M4 x 60	2500565	M5 x 65
2500345	M3 x 45	2500470	M4 x 70	2500570	M5 x 70
2500404	M4 x 4	2500504	M5 x 4	2500580	M5 x 80
2500405	M4 x 5	2500506	M5 x 6	2500605	M6 x 5
2500406	M4 x 6	2500507	M5 x 7	2500606	M6 x 6
2500408	M4 x 8	2500508	M5 x 8	2500607	M6 x 7

Part no.	d1 x L	Part no.	d1 x L	Part no.	d1 x L
2500608	M6 x 8	2500815	M8 x 15	2501025	M10 x 25
2500610	M6 x 10	2500816	M8 x 16	2501030	M10 x 30
2500612	M6 x 12	2500817	M8 x 17	2501035	M10 x 35
2500614	M6 x 14	2500818	M8 x 18	2501040	M10 x 40
2500615	M6 x 15	2500820	M8 x 20	2501045	M10 x 45
2500616	M6 x 16	2500823	M8 x 23	2501050	M10 x 50
2500617	M6 x 17	2500825	M8 x 25	2501055	M10 x 55
2500620	M6 x 20	2500830	M8 x 30	2501060	M10 x 60
2500625	M6 x 25	2500835	M8 x 35	2501065	M10 x 65
2500630	M6 x 30	2500840	M8 x 40	2501070	M10 x 70
2500635	M6 x 35	2500845	M8 x 45	2501080	M10 x 80
2500640	M6 x 40	2500850	M8 x 50	2501090	M10 x 90
2500645	M6 x 45	2500855	M8 x 55	25010100	M10 x 100
2500650	M6 x 50	2500860	M8 x 60	2501209	M12 x 9
2500655	M6 x 55	2500865	M8 x 65	2501210	M12 x 10
2500660	M6 x 60	2500870	M8 x 70	2501211	M12 x 11
2500670	M6 x 70	2500875	M8 x 75	2501212	M12 x 12
2500675	M6 x 75	2500880	M8 x 80	2501215	M12 x 15
2500680	M6 x 80	2500890	M8 x 90	2501220	M12 x 20
2500690	M6 x 90	2501004	M10 x 4	2501225	M12 x 25
2500804	M8 x 4	2501006	M10 x 6	2501230	M12 x 30
2500805	M8 x 5	2501007	M10 x 7	2501235	M12 x 35
2500806	M8 x 6	2501008	M10 x 8	2501240	M12 x 40
2500807	M8 x 7	2501010	M10 x 10	2501245	M12 x 45
2500808	M8 x 8	2501012	M10 x 12	2501250	M12 x 50
2500809	M8 x 9	2501013	M10 x 13	2501260	M12 x 60
2500810	M8 x 10	2501014	M10 x 14	2501270	M12 x 70
2500811	M8 x 11	2501015	M10 x 15	2501275	M12 x 75
2500812	M8 x 12	2501016	M10 x 16	2501280	M12 x 80
2500813	M8 x 13	2501020	M10 x 20		

Screws according to DIN of plastic | Slotted head screws ~DIN 84 PP

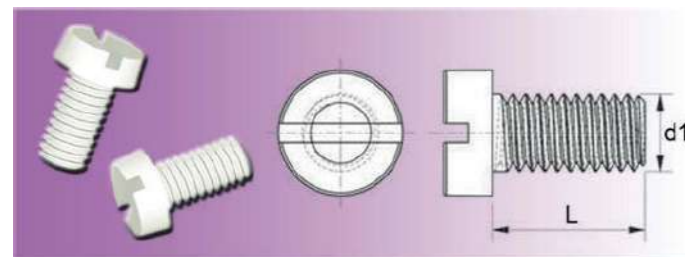


Slotted head screws ~DIN 84 (~DIN EN ISO 1207)

Material: PP
Colour: natural

Part no.	d1 x L	Part no.	d1 x L	Part no.	d1 x L
2500310PP	M3 x 10	2500516PP	M5 x 16	2500625PP	M6 x 25
2500316PP	M3 x 16	2500520PP	M5 x 20	2500630PP	M6 x 30
2500320PP	M8 x 30	2500525PP	M5 x 25	2500810PP	M8 x 10
2500406PP	M4 x 6	2500530PP	M5 x 30	2500816PP	M8 x 16
2500410PP	M4 x 10	2500540PP	M5 x 40	2500820PP	M8 x 20
2500416PP	M4 x 16	2500608PP	M6 x 8	2500830PP	M8 x 30
2500420PP	M4 x 20	2500610PP	M6 x 10	2500840PP	M8 x 40
2500430PP	M4 x 30	2500616PP	M6 x 16	2501020PP	M10 x 20
2500510PP	M5 x 10	2500620PP	M6 x 20	2501040PP	M10 x 40

Screws according to DIN of plastic | Slotted head screws ~DIN 84 PVDF

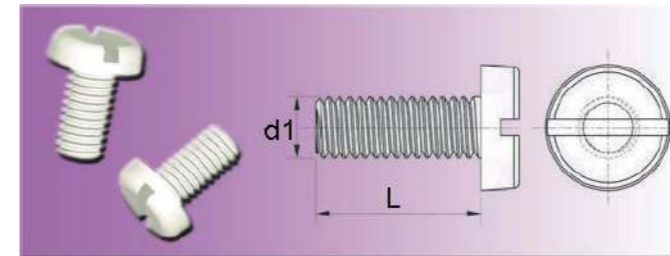


Slotted head screws ~DIN 84 (~DIN EN ISO 1207)

Material: PVDF
Colour: natural

Part no.	d1 x L	Part no.	d1 x L	Part no.	d1 x L
2500310PVDF	M3 x 10	2500430PVDF	M4 x 30	2500608PVDF	M6 x 8
2500316PVDF	M3 x 16	2500510PVDF	M5 x 10	2500610PVDF	M6 x 10
2500320PVDF	M3 x 20	2500516PVDF	M5 x 16	2500616PVDF	M6 x 16
2500406PVDF	M4 x 6	2500520PVDF	M5 x 20	2500620PVDF	M6 x 20
2500410PVDF	M4 x 10	2500525PVDF	M5 x 25	2500625PVDF	M6 x 25
2500416PVDF	M4 x 16	2500530PVDF	M5 x 30	2500630PVDF	M6 x 30
2500420PVDF	M4 x 20	2500540PVDF	M5 x 40		

Screws according to DIN of plastic | Flat head screws ~DIN 85 PA



Flat head screws ~DIN 85 (~DIN EN ISO 1580)

Minimum order quantity:
500 pcs. for M3
200 pcs. for M4, M5 + M6
100 pcs. from M8 upwards

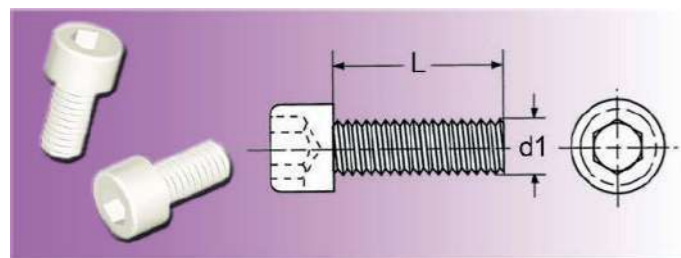
Material: PA 6.6
Colour: natural

Part no.	d1 x L	Part no.	d1 x L	Part no.	d1 x L
0500304	M3 x 4	0500435	M4 x 35	0500608	M6 x 8
0500305	M3 x 5	0500440	M4 x 40	0500610	M6 x 10
0500306	M3 x 6	0500445	M4 x 45	0500612	M6 x 12
0500308	M3 x 8	0500450	M4 x 50	0500614	M6 x 14
0500310	M3 x 10	0500455	M4 x 55	0500615	M6 x 15
0500312	M3 x 12	0500460	M4 x 60	0500616	M6 x 16
0500315	M3 x 15	0500470	M4 x 70	0500617	M6 x 17
0500316	M3 x 16	0500504	M5 x 4	0500620	M6 x 20
0500318	M3 x 18	0500506	M5 x 6	0500625	M6 x 25
0500320	M3 x 20	0500507	M5 x 7	0500630	M6 x 30
0500322	M3 x 22	0500508	M5 x 8	0500635	M6 x 35
0500325	M3 x 25	0500509	M5 x 9	0500640	M6 x 40
0500330	M3 x 30	0500510	M5 x 10	0500645	M6 x 45
0500333	M3 x 33	0500512	M5 x 12	0500650	M6 x 50
0500335	M3 x 35	0500513	M5 x 13	0500655	M6 x 55
0500340	M3 x 40	0500514	M5 x 14	0500660	M6 x 60
0500345	M3 x 45	0500515	M5 x 15	0500670	M6 x 70
0500404	M4 x 4	0500516	M5 x 16	0500675	M6 x 75
0500405	M4 x 5	0500517	M5 x 17	0500680	M6 x 80
0500406	M4 x 6	0500520	M5 x 20	0500690	M6 x 90
0500408	M4 x 8	0500525	M5 x 25	0500804	M8 x 4
0500410	M4 x 10	0500530	M5 x 30	0500805	M8 x 5
0500412	M4 x 12	0500535	M5 x 35	0500806	M8 x 6
0500413	M4 x 13	0500540	M5 x 40	0500807	M8 x 7
0500414	M4 x 14	0500545	M5 x 45	0500808	M8 x 8
0500415	M4 x 15	0500550	M5 x 50	0500809	M8 x 9
0500416	M4 x 16	0500560	M5 x 60	0500810	M8 x 10
0500418	M4 x 18	0500565	M5 x 65	0500811	M8 x 11
0500420	M4 x 20	0500570	M5 x 70	0500812	M8 x 12
0500423	M4 x 23	0500580	M5 x 80	0500813	M8 x 13
0500425	M4 x 25	0500605	M6 x 5	0500815	M8 x 15
0500428	M4 x 28	0500606	M6 x 6	0500816	M8 x 16
0500430	M4 x 30	0500607	M6 x 7	0500817	M8 x 17

Part no.	d1 x L	Part no.	d1 x L	Part no.	d1 x L
0500818	M8 x 18	0501004	M10 x 4	0501065	M10 x 65
0500820	M8 x 20	0501006	M10 x 6	0501070	M10 x 70
0500823	M8 x 23	0501007	M10 x 7	0501080	M10 x 80
0500825	M8 x 25	0501008	M10 x 8	0501090	M10 x 90
0500826	M8 x 26	0501010	M10 x 10	0501209	M12 x 9
0500830	M8 x 30	0501012	M10 x 12	0501210	M12 x 10
0500835	M8 x 35	0501014	M10 x 14	0501211	M12 x 11
0500840	M8 x 40	0501015	M10 x 15	0501215	M12 x 15
0500845	M8 x 45	0501020	M10 x 20	0501220	M12 x 20
0500850	M8 x 50	0501025	M10 x 25	0501225	M12 x 25
0500855	M8 x 55	0501030	M10 x 30	0501230	M12 x 30
0500860	M8 x 60	0501035	M10 x 35	0501235	M12 x 35
0500865	M8 x 65	0501040	M10 x 40	0501240	M12 x 40
0500870	M8 x 70	0501045	M10 x 45	0501245	M12 x 45
0500875	M8 x 75	0501050	M10 x 50	0501250	M12 x 50
0500880	M8 x 80	0501055	M10 x 55	0501260	M12 x 60
0500890	M8 x 90	0501060	M10 x 60		

Part no.	d1 x L	Part no.	d1 x L	Part no.	d1 x L
2520455	M4 x 55	2520630	M6 x 30	2520890	M8 x 90
2520460	M4 x 60	2520635	M6 x 35	2521004	M10 x 4
2520470	M4 x 70	2520640	M6 x 40	2521006	M10 x 6
2520504	M5 x 4	2520645	M6 x 45	2521007	M10 x 7
2520506	M5 x 6	2520650	M6 x 50	2521008	M10 x 8
2520507	M5 x 7	2520655	M6 x 55	2521010	M10 x 10
2520508	M5 x 8	2520660	M6 x 60	2521012	M10 x 12
2520509	M5 x 9	2520665	M6 x 65	2521013	M10 x 13
2520510	M5 x 10	2520670	M6 x 70	2521014	M10 x 14
2520512	M5 x 12	2520675	M6 x 75	2521015	M10 x 15
2520513	M5 x 13	2520680	M6 x 80	2521016	M10 x 16
2520514	M5 x 14	2520690	M6 x 90	2521020	M10 x 20
2520515	M5 x 15	2520805	M8 x 5	2521025	M10 x 25
2520516	M5 x 16	2520806	M8 x 6	2521030	M10 x 30
2520517	M5 x 17	2520807	M8 x 7	2521035	M10 x 35
2520518	M5 x 18	2520808	M8 x 8	2521040	M10 x 40
2520520	M5 x 20	2520809	M8 x 9	2521045	M10 x 45
2520525	M5 x 25	2520810	M8 x 10	2521050	M10 x 50
2520530	M5 x 30	2520811	M8 x 11	2521055	M10 x 55
2520535	M5 x 35	2520812	M8 x 12	2521060	M10 x 60
2520540	M5 x 40	2520813	M8 x 13	2521065	M10 x 65
2520545	M5 x 45	2520815	M8 x 15	2521070	M10 x 70
2520550	M5 x 50	2520816	M8 x 16	2521080	M10 x 80
2520555	M5 x 55	2520817	M8 x 17	2521090	M10 x 90
2520560	M5 x 60	2520820	M8 x 20	2521200	M12 x 100
2520565	M5 x 65	2520823	M8 x 23	2521209	M12 x 9
2520570	M5 x 70	2520825	M8 x 25	2521210	M12 x 10
2520580	M5 x 80	2520826	M8 x 26	2521211	M12 x 11
2520605	M6 x 5	2520830	M8 x 30	2521215	M12 x 15
2520606	M6 x 6	2520835	M8 x 35	2521220	M12 x 20
2520607	M6 x 7	2520840	M8 x 40	2521225	M12 x 25
2520608	M6 x 8	2520845	M8 x 45	2521230	M12 x 30
2520610	M6 x 10	2520850	M8 x 50	2521235	M12 x 35
2520612	M6 x 12	2520855	M8 x 55	2521240	M12 x 40
2520615	M6 x 15	2520860	M8 x 60	2521245	M12 x 45
2520616	M6 x 16	2520865	M8 x 65	2521250	M12 x 50
2520617	M6 x 17	2520870	M8 x 70	2521260	M12 x 60
2520620	M6 x 20	2520875	M8 x 75	2521270	M12 x 70
2520625	M6 x 25	2520880	M8 x 80	2521280	M12 x 80

Screws according to DIN of plastic | Socket head screws ~DIN 912 PA



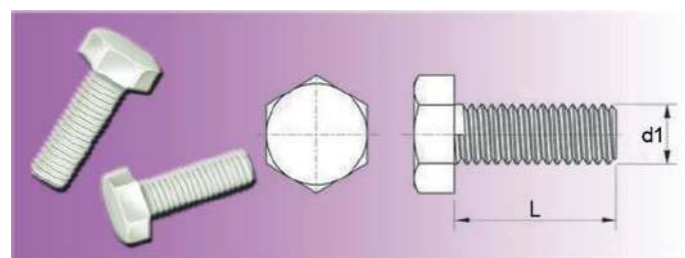
Socket head screws ~DIN 912 (~DIN EN ISO 4762)

Minimum order quantity: 1,000 pcs. per dimension and order

Material: PA 6.6
Colour: natural

Part no.	d1 x L	Part no.	d1 x L	Part no.	d1 x L
2520304	M3 x 4	2520328	M3 x 28	2520414	M4 x 14
2520305	M3 x 5	2520330	M3 x 30	2520415	M4 x 15
2520306	M3 x 6	2520333	M3 x 33	2520416	M4 x 16
2520308	M3 x 8	2520335	M3 x 35	2520418	M4 x 18
2520310	M3 x 10	2520340	M3 x 40	2520420	M4 x 20
2520312	M3 x 12	2520345	M3 x 45	2520423	M4 x 23
2520314	M3 x 14	2520404	M4 x 4	2520425	M4 x 25
2520315	M3 x 15	2520405	M4 x 5	2520428	M4 x 28
2520316	M3 x 16	2520406	M4 x 6	2520430	M4 x 30
2520318	M3 x 18	2520408	M4 x 8	2520435	M4 x 35
2520320	M3 x 20	2520410	M4 x 10	2520440	M4 x 40
2520322	M3 x 22	2520412	M4 x 12	2520445	M4 x 45
2520325	M3 x 25	2520413	M4 x 13	2520450	M4 x 50

Screws according to DIN of plastic | Hexagon head screws ~DIN 933/931 PA



Hexagon head screws ~DIN 933/931 (~DIN 34810)

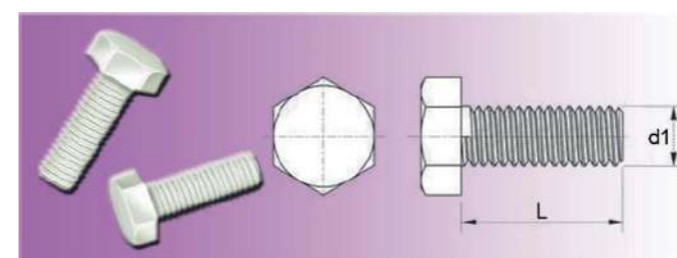
Minimum order quantity:
500 pcs. for M3
200 pcs. for M4, M5 + M6
100 pcs. from M8 upwards

Material: PA 6.6
Colour: natural (black on request)

Part no.	d1 x L	Part no.	d1 x L	Part no.	d1 x L
2510304	M3 x 4	2510504	M5 x 4	2510612	M6 x 12
2510305	M3 x 5	2510506	M5 x 6	2510615	M6 x 15
2510306	M3 x 6	2510507	M5 x 7	2510616	M6 x 16
2510308	M3 x 8	2510508	M5 x 8	2510617	M6 x 17
2510310	M3 x 10	2510509	M5 x 9	2510620	M6 x 20
2510312	M3 x 12	2510510	M5 x 10	2510625	M6 x 25
2510315	M3 x 15	2510512	M5 x 12	2510630	M6 x 30
2510316	M3 x 16	2510513	M5 x 13	2510635	M6 x 35
2510318	M3 x 18	2510514	M5 x 14	2510640	M6 x 40
2510320	M3 x 20	2510515	M5 x 15	2510645	M6 x 45
2510325	M3 x 25	2510516	M5 x 16	2510650	M6 x 50
2510330	M3 x 30	2510517	M5 x 17	2510660	M6 x 60
2510333	M3 x 33	2510520	M5 x 20	2510670	M6 x 70
2510404	M4 x 4	2510525	M5 x 25	2510675	M6 x 75
2510405	M4 x 5	2510530	M5 x 30	2510680	M6 x 80
2510406	M4 x 6	2510535	M5 x 35	2510690	M6 x 90
2510408	M4 x 8	2510540	M5 x 40	2510695	M6 x 95
2510410	M4 x 10	2510545	M5 x 45	25106100	M6 x 100
2510412	M4 x 12	2510550	M5 x 50	25106110	M6 x 110
2510413	M4 x 13	2510555	M5 x 50	25106120	M6 x 120
2510414	M4 x 14	2510560	M5 x 60	25106130	M6 x 130
2510415	M4 x 15	2510570	M5 x 70	2510804	M8 x 4
2510416	M4 x 16	2510575	M5 x 75	2510805	M8 x 5
2510418	M4 x 18	2510580	M5 x 80	2510806	M8 x 6
2510420	M4 x 20	2510590	M5 x 90	2510807	M8 x 7
2510423	M4 x 23	25105100	M5 x 100	2510808	M8 x 8
2510425	M4 x 25	25105110	M5 x 110	2510809	M8 x 9
2510428	M4 x 28	25105120	M5 x 120	2510810	M8 x 10
2510430	M4 x 30	2510605	M6 x 5	2510812	M8 x 12
2510435	M4 x 35	2510606	M6 x 6	2510813	M8 x 13
2510440	M4 x 40	2510607	M6 x 7	2510815	M8 x 15
2510460	M4 x 60	2510608	M6 x 8	2510816	M8 x 16
2510470	M4 x 70	2510610	M6 x 10	2510817	M8 x 17

Part no.	d1 x L	Part no.	d1 x L	Part no.	d1 x L
2510820	M8 x 20	2511008	M10 x 8	2511211	M12 x 11
2510823	M8 x 23	2511010	M10 x 10	2511212	M12 x 12
2510825	M8 x 25	2511012	M10 x 12	2511215	M12 x 15
2510826	M8 x 26	2511015	M10 x 15	2511216	M12 x 16
2510830	M8 x 30	2511020	M10 x 20	2511220	M12 x 20
2510835	M8 x 35	2511025	M10 x 25	2511225	M12 x 25
2510840	M8 x 40	2511030	M10 x 30	2511230	M12 x 30
2510845	M8 x 45	2511035	M10 x 35	2511235	M12 x 35
2510850	M8 x 50	2511040	M10 x 40	2511240	M12 x 40
2510860	M8 x 60	2511045	M10 x 45	2511245	M12 x 45
2510865	M8 x 65	2511050	M10 x 50	2511250	M12 x 50
2510870	M8 x 70	2511060	M10 x 60	2511260	M12 x 60
2510875	M8 x 75	2511070	M10 x 70	2511270	M12 x 70
2510880	M8 x 80	2511075	M10 x 75	2511275	M12 x 75
2510885	M8 x 85	2511080	M10 x 80	2511280	M12 x 80
2510890	M8 x 90	2511085	M10 x 85	2511285	M12 x 85
2510895	M8 x 95	2511090	M10 x 90	2511290	M12 x 90
25108100	M8 x 100	2511095	M10 x 95	2511295	M12 x 95
25108110	M8 x 110	25110100	M10 x 100	25112100	M12 x 100
25108120	M8 x 120	25110110	M10 x 110	25112110	M12 x 110
25108130	M8 x 130	25110120	M10 x 120	25112120	M12 x 120
2511004	M10 x 4	25110130	M10 x 130	25112130	M12 x 130
2511006	M10 x 6	2511209	M12 x 9	2511680	M 16 x 80
2511007	M10 x 7	2511210	M12 x 10		

Screws according to DIN of plastic | Hexagon head screws ~DIN 933 PP



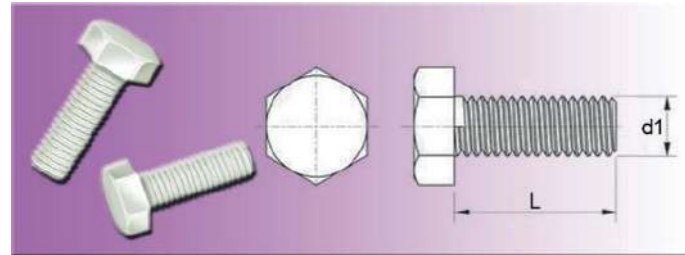
Hexagon head screws ~DIN 933 (~DIN 34810)

Material: PP
Colour: natural

Part no.	d1 x L	Part no.	d1 x L	Part no.	d1 x L
2510310PP	M3 x 10	2510512PP	M5 x 12	2510620PP	M6 x 20
2510316PP	M3 x 16	2510516PP	M5 x 16	2510625PP	M6 x 25
2510320PP	M8 x 30	2510520PP	M5 x 20	2510640PP	M6 x 40
2510410PP	M4 x 10	2510525PP	M5 x 25	2510820PP	M8 x 20
2510416PP	M4 x 16	2510530PP	M5 x 30	2510830PP	M8 x 30
2510420PP	M4 x 20	2510616PP	M6 x 16	2510840PP	M8 x 40

Part no.	d1 x L	Part no.	d1 x L	Part no.	d1 x L
2510860PP	M8 x 60	2511060PP	M10 x 60	2511260PP	M12 x 60
2511020PP	M10 x 20	2511240PP	M12 x 40		

Screws according to DIN of plastic | Hexagon head screws ~DIN 933 PVDF

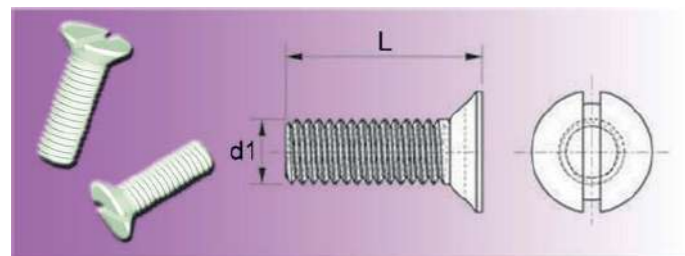


Hexagon head screws ~DIN 933 (~DIN 34810)

Material: PVDF
Colour: natural

Part no.	d1 x L	Part no.	d1 x L	Part no.	d1 x L
2510310PVDF	M3 x 10	2510430PVDF	M4 x 30	2510610PVDF	M6 x 10
2510316PVDF	M3 x 16	2510512PVDF	M5 x 12	2510612PVDF	M6 x 12
2510320PVDF	M3 x 20	2510516PVDF	M5 x 16	2510616PVDF	M6 x 16
2510410PVDF	M4 x 10	2510520PVDF	M5 x 20	2510620PVDF	M6 x 20
2510416PVDF	M4 x 16	2510525PVDF	M5 x 25	2510625PVDF	M6 x 25
2510420PVDF	M4 x 20	2510530PVDF	M5 x 30	2510640PVDF	M6 x 40

Screws according to DIN of plastic | Countersunk head screws with slot ~DIN 963 PA



Countersunk head screws with slot ~DIN 963 (~DIN EN ISO 2009)

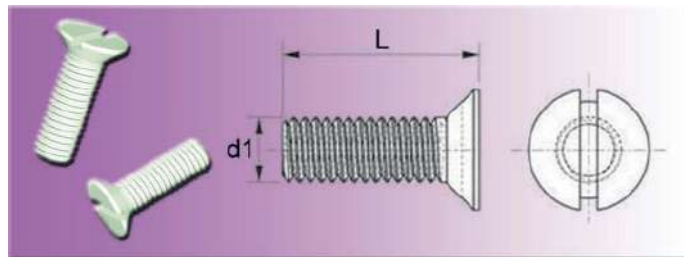
Minimum order quantity:
500 pcs. for M3
200 pcs. for M4, M5 + M6
100 pcs. from M8 upwards

Material: PA 6.6
Colour: natural

Part no.	d1 x L	Part no.	d1 x L	Part no.	d1 x L
2480305	M3 x 5	2480320	M3 x 20	2480342	M3 x 42
2480306	M3 x 6	2480322	M3 x 22	2480344	M3 x 44
2480308	M3 x 8	2480324	M3 x 24	2480404	M4 x 4
2480310	M3 x 10	2480325	M3 x 25	2480406	M4 x 6
2480312	M3 x 12	2480327	M3 x 27	2480407	M4 x 7
2480314	M3 x 14	2480329	M3 x 29	2480408	M4 x 8
2480315	M3 x 15	2480330	M3 x 30	2480410	M4 x 10
2480316	M3 x 16	2480332	M3 x 32	2480412	M4 x 12
2480317	M3 x 17	2480334	M3 x 34	2480414	M4 x 14
2480318	M3 x 18	2480335	M3 x 35	2480415	M4 x 15
2480319	M3 x 19	2480337	M3 x 37	2480416	M4 x 16

Part no.	d1 x L	Part no.	d1 x L	Part no.	d1 x L
2480417	M4 x 17	2480548	M5 x 48	2480817	M8 x 17
2480418	M4 x 18	2480550	M5 x 50	2480818	M8 x 18
2480420	M4 x 20	2480553	M5 x 53	2480820	M8 x 20
2480422	M4 x 22	2480555	M5 x 55	2480821	M8 x 21
2480425	M4 x 25	2480563	M5 x 63	2480822	M8 x 22
2480427	M4 x 27	2480583	M5 x 83	2480825	M8 x 25
2480430	M4 x 30	2480608	M6 x 8	2480828	M8 x 28
2480432	M4 x 32	2480610	M6 x 10	2480830	M8 x 30
2480435	M4 x 35	2480611	M6 x 11	2480835	M8 x 35
2480440	M4 x 40	2480612	M6 x 12	2480840	M8 x 40
2480442	M4 x 42	2480613	M6 x 13	2480845	M8 x 45
2480472	M4 x 72	2480615	M6 x 15	2480850	M8 x 50
2480507	M5 x 7	2480616	M6 x 16	2480855	M8 x 55
2480508	M5 x 8	2480617	M6 x 17	2480860	M8 x 60
2480509	M5 x 9	2480619	M6 x 19	2480865	M8 x 65
2480510	M5 x 10	2480620	M6 x 20	2480870	M8 x 70
2480511	M5 x 11	2480621	M6 x 21	2480875	M8 x 75
2480512	M5 x 12	2480622	M6 x 22	2480880	M8 x 80
2480513	M5 x 13	2480624	M6 x 24	2481010	M10 x 10
2480514	M5 x 14	2480625	M6 x 25	2481011	M10 x 11
2480515	M5 x 15	2480630	M6 x 30	2481012	M10 x 12
2480516	M5 x 16	2480635	M6 x 35	2481013	M10 x 13
2480517	M5 x 17	2480640	M6 x 40	2481015	M10 x 15
2480518	M5 x 18	2480645	M6 x 45	2481016	M10 x 16
2480519	M5 x 19	2480650	M6 x 50	2481018	M10 x 18
2480520	M5 x 20	2480655	M6 x 55	2481020	M10 x 20
2480521	M5 x 21	2480660	M6 x 60	2481025	M10 x 25
2480522	M5 x 22	2480665	M6 x 65	2481030	M10 x 30
2480523	M5 x 23	2480675	M6 x 75	2481035	M10 x 35
2480525	M5 x 25	2480680	M6 x 80	2481040	M10 x 40
2480530	M5 x 30	2480685	M6 x 85	2481045	M10 x 45
2480533	M5 x 33	2480810	M8 x 10	2481050	M10 x 50
2480535	M5 x 35	2480812	M8 x 12	2481055	M10 x 55
2480538	M5 x 38	2480813	M8 x 13	2481060	M10 x 60
2480540	M5 x 40	2480814	M8 x 14	2481065	M10 x 65
2480543	M5 x 43	2480815	M8 x 15	2481070	M10 x 70
2480545	M5 x 45	2480816	M8 x 16	2481080	M10 x 80

Screws according to DIN of plastic | Countersunk head screws with slot ~DIN 963 PP

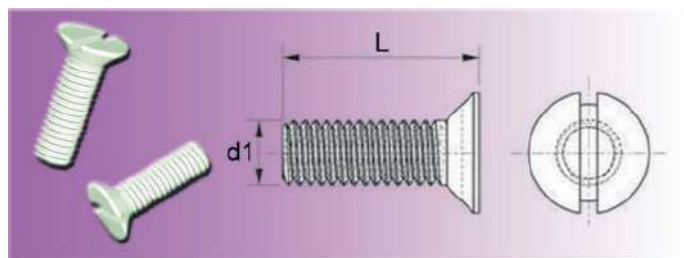


Countersunk head screws with slot ~DIN 963 (~DIN EN ISO 2009)

Material: PP
Colour: natural

Part no.	d1 x L	Part no.	d1 x L	Part no.	d1 x L
2480316PP	M3 x 16	2480520PP	M5 x 20	2480640PP	M6 x 40
2480320PP	M3 x 20	2480525PP	M5 x 25	2480660PP	M6 x 60
2480410PP	M4 x 10	2480530PP	M5 x 30	2480816PP	M8 x 16
2480412PP	M4 x 12	2480540PP	M5 x 40	2480820PP	M8 x 20
2480416PP	M4 x 16	2480610PP	M6 x 10	2480825PP	M8 x 25
2480420PP	M4 x 20	2480616PP	M6 x 16	2480830PP	M8 x 30
2480425PP	M4 x 25	2480620PP	M6 x 20	2481040PP	M10 x 40
2480510PP	M5 x 10	2480625PP	M6 x 25		
2480516PP	M5 x 16	2480630PP	M6 x 30		

Screws according to DIN of plastic | Countersunk head screws with slot ~DIN 963 PVDF

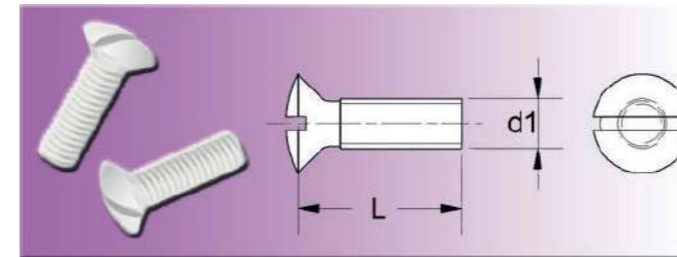


Countersunk head screws with slot ~DIN 963 (~DIN EN ISO 2009)

Material: PVDF
Colour: natural

Part no.	d1 x L	Part no.	d1 x L	Part no.	d1 x L
2480309PVDF	M3 x 9	2480420PVDF	M4 x 20	2480610PVDF	M6 x 10
2480310PVDF	M3 x 10	2480425PVDF	M4 x 25	2480612PVDF	M6 x 12
2480312PVDF	M3 x 12	2480510PVDF	M5 x 10	2480616PVDF	M6 x 16
2480316PVDF	M3 x 16	2480516PVDF	M5 x 16	2480620PVDF	M6 x 20
2480320PVDF	M3 x 20	2480520PVDF	M5 x 20	2480625PVDF	M6 x 25
2480410PVDF	M4 x 10	2480525PVDF	M5 x 25	2480630PVDF	M6 x 30
2480412PVDF	M4 x 12	2480530PVDF	M5 x 30	2480640PVDF	M6 x 40
2480416PVDF	M4 x 16	2480540PVDF	M5 x 40	2480660PVDF	M6 x 60

Screws according to DIN of plastic | Raised countersunk screws ~DIN 964 PA



Raised countersunk screws ~DIN 964 (~DIN EN ISO 2010)

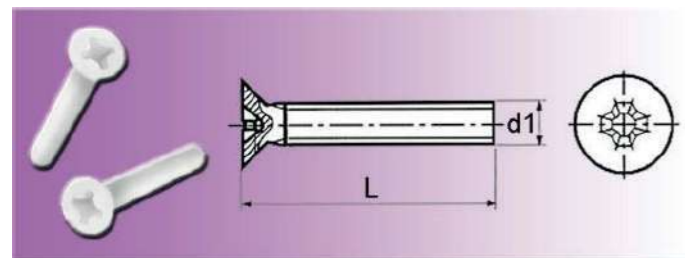
Minimum order quantity: 1,000 pcs. per dimension and order

Material: PA 6.6
Colour: natural

Part no.	d1 x L	Part no.	d1 x L	Part no.	d1 x L
2470305	M3 x 5	2470418	M4 x 18	2470540	M5 x 40
2470306	M3 x 6	2470420	M4 x 20	2470543	M5 x 43
2470308	M3 x 8	2470422	M4 x 22	2470545	M5 x 45
2470310	M3 x 10	2470425	M4 x 25	2470548	M5 x 48
2470312	M3 x 12	2470427	M4 x 27	2470550	M5 x 50
2470314	M3 x 14	2470430	M4 x 30	2470553	M5 x 53
2470316	M3 x 16	2470432	M4 x 32	2470555	M5 x 55
2470317	M3 x 17	2470435	M4 x 35	2470563	M5 x 63
2470318	M3 x 18	2470440	M4 x 40	2470583	M5 x 83
2470319	M3 x 19	2470442	M4 x 42	2470608	M6 x 8
2470320	M3 x 20	2470472	M4 x 72	2470610	M6 x 10
2470322	M3 x 22	2470507	M5 x 7	2470611	M6 x 11
2470324	M3 x 24	2470508	M5 x 8	2470612	M6 x 12
2470325	M3 x 25	2470509	M5 x 9	2470613	M6 x 13
2470327	M3 x 27	2470510	M5 x 10	2470615	M6 x 15
2470329	M3 x 29	2470511	M5 x 11	2470616	M6 x 16
2470330	M3 x 30	2470512	M5 x 12	2470617	M6 x 17
2470332	M3 x 32	2470513	M5 x 13	2470619	M6 x 19
2470334	M3 x 34	2470514	M5 x 14	2470620	M6 x 20
2470335	M3 x 35	2470515	M5 x 15	2470621	M6 x 21
2470337	M3 x 37	2470516	M5 x 16	2470622	M6 x 22
2470342	M3 x 42	2470517	M5 x 17	2470625	M6 x 25
2470344	M3 x 44	2470518	M5 x 18	2470630	M6 x 30
2470404	M4 x 4	2470519	M5 x 19	2470635	M6 x 35
2470406	M4 x 6	2470520	M5 x 20	2470640	M6 x 40
2470407	M4 x 7	2470521	M5 x 21	2470645	M6 x 45
2470408	M4 x 8	2470522	M5 x 22	2470650	M6 x 50
2470410	M4 x 10	2470523	M5 x 23	2470655	M6 x 55
2470412	M4 x 12	2470525	M5 x 25	2470660	M6 x 60
2470414	M4 x 14	2470530	M5 x 30	2470665	M6 x 65
2470415	M4 x 15	2470533	M5 x 33	2470675	M6 x 75
2470416	M4 x 16	2470535	M5 x 35	2470680	M6 x 80
2470417	M4 x 17	2470538	M5 x 38	2470685	M6 x 85

Part no.	d1 x L	Part no.	d1 x L	Part no.	d1 x L
2470810	M8 x 10	2470820	M8 x 20	2470845	M8 x 45
2470812	M8 x 12	2470821	M8 x 21	2470850	M8 x 50
2470813	M8 x 13	2470822	M8 x 22	2470855	M8 x 55
2470814	M8 x 14	2470825	M8 x 25	2470860	M8 x 60
2470815	M8 x 15	2470828	M8 x 28	2470865	M8 x 65
2470816	M8 x 16	2470830	M8 x 30	2470870	M8 x 70
2470817	M8 x 17	2470835	M8 x 35	2470875	M8 x 75
2470818	M8 x 18	2470840	M8 x 40	2470880	M8 x 80

Screws according to DIN of plastic | Countersunk screws with cross slot ~DIN 965 PA



Countersunk screws with cross slot ~DIN 965 (~DIN 34811)

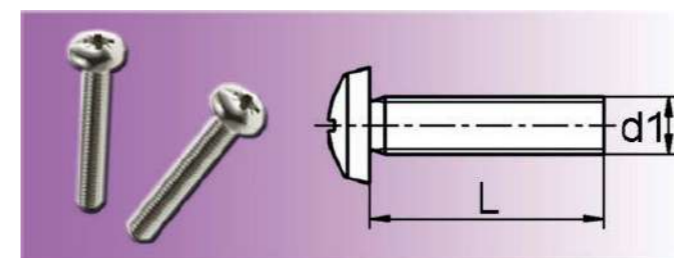
Minimum order quantity: 1,000 pcs. per dimension and order

Material: PA 6.6
Colour: natural

Part no.	d1 x L	Part no.	d1 x L	Part no.	d1 x L
2460305	M3 x 5	2460344	M3 x 44	2460507	M5 x 7
2460306	M3 x 6	2460404	M4 x 4	2460508	M5 x 8
2460308	M3 x 8	2460406	M4 x 6	2460509	M5 x 9
2460310	M3 x 10	2460407	M4 x 7	2460510	M5 x 10
2460312	M3 x 12	2460408	M4 x 8	2460511	M5 x 11
2460314	M3 x 14	2460410	M4 x 10	2460512	M5 x 12
2460316	M3 x 16	2460412	M4 x 12	2460513	M5 x 13
2460317	M3 x 17	2460414	M4 x 14	2460514	M5 x 14
2460318	M3 x 18	2460415	M4 x 15	2460515	M5 x 15
2460319	M3 x 19	2460416	M4 x 16	2460516	M5 x 16
2460320	M3 x 20	2460417	M4 x 17	2460517	M5 x 17
2460322	M3 x 22	2460418	M4 x 18	2460518	M5 x 18
2460324	M3 x 24	2460420	M4 x 20	2460519	M5 x 19
2460325	M3 x 25	2460422	M4 x 22	2460520	M5 x 20
2460327	M3 x 27	2460425	M4 x 25	2460521	M5 x 21
2460329	M3 x 29	2460427	M4 x 27	2460522	M5 x 22
2460330	M3 x 30	2460430	M4 x 30	2460523	M5 x 23
2460332	M3 x 32	2460432	M4 x 32	2460525	M5 x 25
2460334	M3 x 34	2460435	M4 x 35	2460530	M5 x 30
2460335	M3 x 35	2460440	M4 x 40	2460533	M5 x 33
2460337	M3 x 37	2460442	M4 x 42	2460535	M5 x 35
2460342	M3 x 42	2460472	M4 x 72	2460538	M5 x 38

Part no.	d1 x L	Part no.	d1 x L	Part no.	d1 x L
2460540	M5 x 40	2460621	M6 x 21	2460816	M8 x 16
2460543	M5 x 43	2460622	M6 x 22	2460817	M8 x 17
2460545	M5 x 45	2460624	M6 x 24	2460818	M8 x 18
2460548	M5 x 48	2460625	M6 x 25	2460820	M8 x 20
2460550	M5 x 50	2460630	M6 x 30	2460821	M8 x 21
2460553	M5 x 53	2460635	M6 x 35	2460822	M8 x 22
2460555	M5 x 55	2460640	M6 x 40	2460825	M8 x 25
2460563	M5 x 63	2460645	M6 x 45	2460828	M8 x 28
2460565	M5 x 65	2460650	M6 x 50	2460830	M8 x 30
2460583	M5 x 83	2460655	M6 x 55	2460835	M8 x 35
2460608	M6 x 8	2460660	M6 x 60	2460840	M8 x 40
2460610	M6 x 10	2460665	M6 x 65	2460845	M8 x 45
2460611	M6 x 11	2460675	M6 x 75	2460850	M8 x 50
2460612	M6 x 12	2460680	M6 x 80	2460855	M8 x 55
2460613	M6 x 13	2460685	M6 x 85	2460860	M8 x 60
2460615	M6 x 15	2460810	M8 x 10	2460865	M8 x 65
2460616	M6 x 16	2460812	M8 x 12	2460870	M8 x 70
2460617	M6 x 17	2460813	M8 x 13	2460875	M8 x 75
2460619	M6 x 19	2460814	M8 x 14	2460880	M8 x 80
2460620	M6 x 20	2460815	M8 x 15		

Screws according to DIN of metal | Lens head screws ~DIN 7985 stainless steel



Lens head screws - metal, cross slot
~DIN 7985 (~DIN EN ISO 7045 - form H)

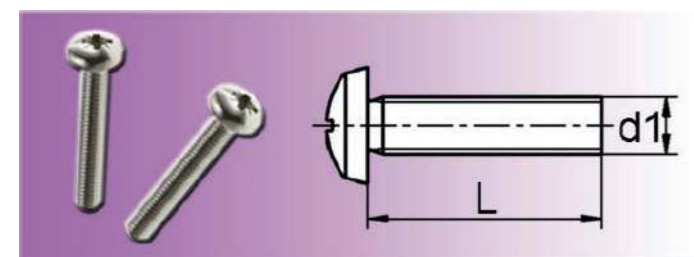
Material: stainless steel A2

Part no.	d1 x L	Part no.	d1 x L	Part no.	d1 x L
549010453	M2 x 4	549021653	M2,5 x 16	549032053	M3 x 20
549010553	M2 x 5	549022053	M2,5 x 20	549032553	M3 x 25
549010653	M2 x 6	549030453	M3 x 4	549033053	M3 x 30
549010853	M2 x 8	549030553	M3 x 5	549040653	M4 x 6
549011053	M2 x 10	549030653	M3 x 6	549040853	M4 x 8
549011253	M2 x 12	549030853	M3 x 8	549041053	M4 x 10
549020453	M2,5 x 4	549031053	M3 x 10	549041253	M4 x 12
549020653	M2,5 x 6	549031253	M3 x 12	549041453	M4 x 14
549020853	M2,5 x 8	549031453	M3 x 14	549041653	M4 x 16
549021053	M2,5 x 10	549031653	M3 x 16	549042053	M4 x 20

Part no.	d1 x L	Part no.	d1 x L	Part no.	d1 x L
549042553	M4 x 25	549051653	M5 x 16	549062553	M6 x 25
549043053	M4 x 30	549052053	M5 x 20	549063053	M6 x 30
549043553	M4 x 35	549052553	M5 x 25	549063553	M6 x 35
549044053	M4 x 40	549053053	M5 x 30	549064053	M6 x 40
549044553	M4 x 45	549053553	M5 x 35	549065053	M6 x 50
549045053	M4 x 50	549054053	M5 x 40	549066053	M6 x 60
549050653	M5 x 6	549061053	M6 x 10	549067053	M6 x 70
549050853	M5 x 8	549061253	M6 x 12	549068053	M6 x 80
549051053	M5 x 10	549061653	M6 x 16	549069053	M6 x 90
549051253	M5 x 12	549062053	M6 x 20		

Part no.	d1 x L	Part no.	d1 x L	Part no.	d1 x L
549062552	M6 x 25	549065552	M6 x 55	549081252	M8 x 12
549063052	M6 x 30	549066052	M6 x 60	549081652	M8 x 16
549063552	M6 x 35	549066552	M6 x 65	549082052	M8 x 20
549064052	M6 x 40	549067052	M6 x 70	549082552	M8 x 25
549064552	M6 x 45	549068052	M6 x 80	549083052	M8 x 30
549065052	M6 x 50	549069052	M6 x 90	549085052	M8 x 50

Screws according to DIN of metal | Lens head screws ~DIN 7985 machining steel

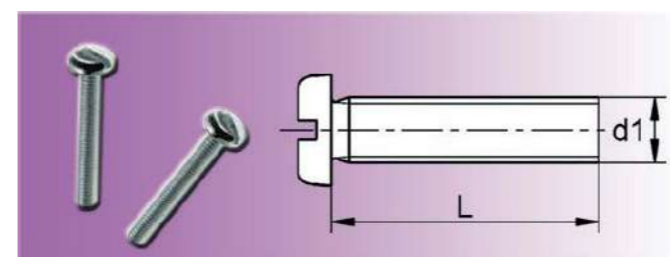


Lens head screws - metal, cross slot
~DIN 7985 (~DIN EN ISO 7045 - form H)

Material: machining steel 4.8 zinc-plated

Part no.	d1 x L	Part no.	d1 x L	Part no.	d1 x L
549010452	M2 x 4	549031452	M3 x 14	549045052	M4 x 50
549010652	M2 x 6	549031652	M3 x 16	549045552	M4 x 55
549010852	M2 x 8	549031852	M3 x 18	549050652	M5 x 6
549011052	M2 x 10	549032052	M3 x 20	549050852	M5 x 8
549011252	M2 x 12	549032552	M3 x 25	549051052	M5 x 10
549011652	M2 x 16	549033052	M3 x 30	549051252	M5 x 12
549020452	M2,5 x 4	549033552	M3 x 35	549051452	M5 x 14
549020552	M2,5 x 5	549034052	M3 x 40	549051652	M5 x 16
549020652	M2,5 x 6	549040652	M4 x 6	549051852	M5 x 18
549020852	M2,5 x 8	549040852	M4 x 8	549052052	M5 x 20
549021052	M2,5 x 10	549041052	M4 x 10	549052552	M5 x 25
549021252	M2,5 x 12	549041252	M4 x 12	549053052	M5 x 30
549021652	M2,5 x 16	549041452	M4 x 14	549053552	M5 x 35
549022052	M2,5 x 20	549041852	M4 x 18	549054052	M5 x 40
549030452	M3 x 4	549042052	M4 x 20	549055052	M5 x 50
549030552	M3 x 5	549042552	M4 x 25	549061052	M6 x 10
549030652	M3 x 6	549043052	M4 x 30	549061252	M6 x 12
549030852	M3 x 8	549043552	M4 x 35	549061452	M6 x 14
549031052	M3 x 10	549044052	M4 x 40	549061652	M6 x 16
549031252	M3 x 12	549044552	M4 x 45	549062052	M6 x 20

Screws according to DIN of metal | Pan head screws ~DIN 85 stainless steel

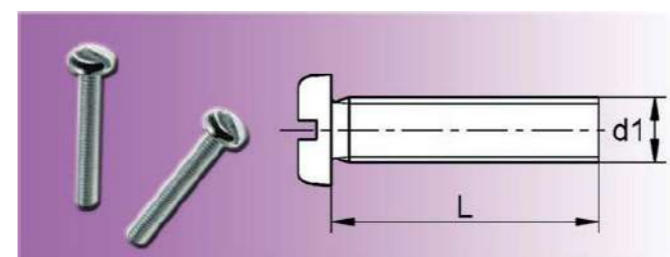


Pan head screws - metal
~DIN 85 (~DIN EN ISO 1580)

Material: stainless steel A2

Part no.	d1 x L	Part no.	d1 x L	Part no.	d1 x L
450030653	M3 x 6	450041053	M4 x 10	450052053	M5 x 20
450030853	M3 x 8	450041253	M4 x 12	450053053	M5 x 30
450031053	M3 x 10	450041653	M4 x 16	450054053	M5 x 40
450031253	M3 x 12	450042053	M4 x 20	450061653	M6 x 16
450031653	M3 x 16	450042553	M4 x 25	450062053	M6 x 20
450032053	M3 x 20	450043053	M4 x 30	450063053	M6 x 30
450040653	M4 x 6	450051053	M5 x 10	450064053	M6 x 40
450040853	M4 x 8	450051653	M5 x 16		

Screws according to DIN of metal | Pan head screws ~DIN 85 machining steel



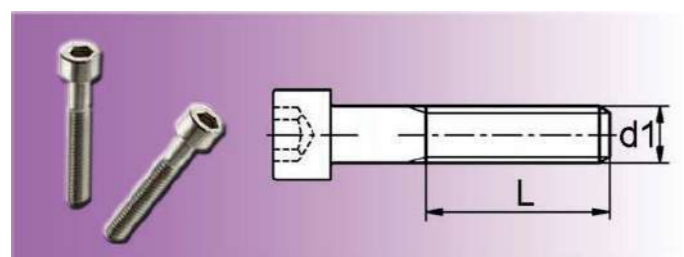
Pan head screws - metal
~DIN 85 (~DIN EN ISO 1580)

Material: machining steel 4.8 zinc-plated

Part no.	d1 x L	Part no.	d1 x L	Part no.	d1 x L
450030652	M3 x 6	450032052	M3 x 20	450041652	M4 x 16
450030852	M3 x 8	450040652	M4 x 6	450042052	M4 x 20
450031052	M3 x 10	450040852	M4 x 8	450042552	M4 x 25
450031252	M3 x 12	450041052	M4 x 10	450043052	M4 x 30
450031652	M3 x 16	450041252	M4 x 12	450051052	M5 x 10

Part no.	d1 x L	Part no.	d1 x L	Part no.	d1 x L
450051652	M5 x 16	450054052	M5 x 40	450063052	M6 x 30
450052052	M5 x 20	450061652	M6 x 16	450064052	M6 x 40
450053052	M5 x 30	450062052	M6 x 20		

Screws according to DIN of metal | Cylinder head screws ~DIN 912 stainless steel

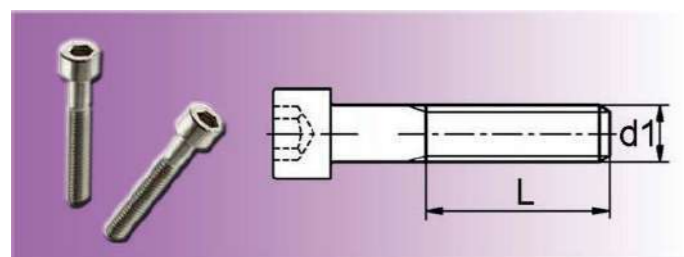


Cylinder head screws - metal, internal hexagon ~DIN 912 (~DIN EN ISO 4762)

Material: stainless steel A2

Part no.	d1 x L	Part no.	d1 x L	Part no.	d1 x L
552030653	M3 x 6	552040853	M4 x 8	552051053	M5 x 10
552030853	M3 x 8	552041053	M4 x 10	552051253	M5 x 12
552031053	M3 x 10	552041253	M4 x 12	552051653	M5 x 16
552031253	M3 x 12	552041653	M4 x 16	552052053	M5 x 20
552031653	M3 x 16	552042053	M4 x 20	552052553	M5 x 25
552032053	M3 x 20	552042553	M4 x 25	552053053	M5 x 30
552040653	M4 x 6	552050853	M5 x 8		

Screws according to DIN of metal | Cylinder head screws ~DIN 912 machining steel

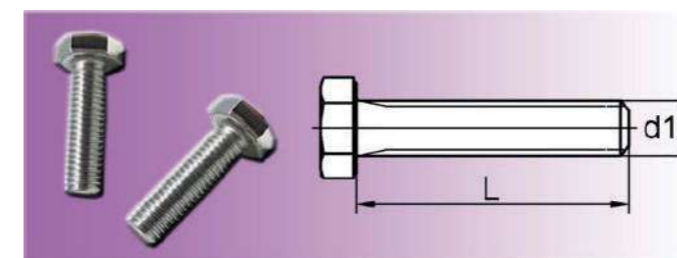


Cylinder head screws - metal, internal hexagon ~DIN 912 (~DIN EN ISO 4762)

Material: machining steel 4.8 zinc-plated

Part no.	d1 x L	Part no.	d1 x L	Part no.	d1 x L
552030652	M3 x 6	552040852	M4 x 8	552051052	M5 x 10
552030852	M3 x 8	552041052	M4 x 10	552051252	M5 x 12
552031052	M3 x 10	552041252	M4 x 12	552051652	M5 x 16
552031252	M3 x 12	552041652	M4 x 16	552052052	M5 x 20
552031652	M3 x 16	552042052	M4 x 20	552052552	M5 x 25
552032052	M3 x 20	552042552	M4 x 25	552053052	M5 x 30
552040652	M4 x 6	552050852	M5 x 8		

Screws according to DIN of metal | Hexagon head screws ~DIN 933 stainless steel

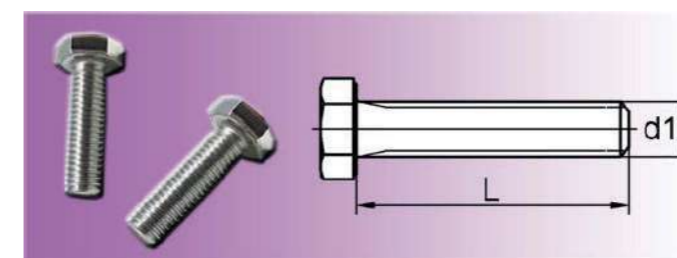


Hexagon head screws - metal ~DIN 933 (~DIN EN ISO 4017, threaded to head)

Material: stainless steel A2

Part no.	d1 x L	Part no.	d1 x L	Part no.	d1 x L
551040653	M4 x 6	551052053	M5 x 20	551064053	M6 x 40
551040853	M4 x 8	551052253	M5 x 22	551064553	M6 x 45
551041053	M4 x 10	551052553	M5 x 25	551065053	M6 x 50
551041253	M4 x 12	551053053	M5 x 30	551065553	M6 x 55
551041653	M4 x 16	551054053	M5 x 40	551066053	M6 x 60
551042053	M4 x 20	551054553	M5 x 45	551067053	M6 x 70
551042553	M4 x 25	551055053	M5 x 50	551081053	M8 x 10
551043053	M4 x 30	551055553	M5 x 55	551081253	M8 x 12
551043553	M4 x 35	551061053	M6 x 10	551081653	M8 x 16
551044053	M4 x 40	551061253	M6 x 12	551082053	M8 x 20
551045053	M4 x 50	551061453	M6 x 14	551082553	M8 x 25
551050853	M5 x 8	551061653	M6 x 16	551083053	M8 x 30
551051053	M5 x 10	551062053	M6 x 20	551083553	M8 x 35
551051253	M5 x 12	551062553	M6 x 25	551084053	M8 x 40
551051653	M5 x 16	551063053	M6 x 30	551084553	M8 x 45
551051853	M5 x 18	551063553	M6 x 35	551085053	M8 x 50

Screws according to DIN of metal | Hexagon head screws ~DIN 933 machining steel



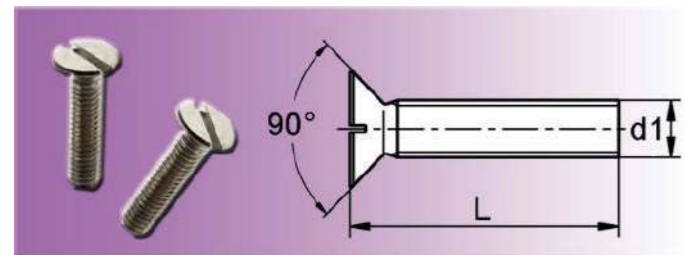
Hexagon head screws - metal ~DIN 933 (~DIN EN ISO 4017, fully threaded)

Material: machining steel 4.8 zinc-plated

Part no.	d1 x L	Part no.	d1 x L	Part no.	d1 x L
551040652	M4 x 6	551042552	M4 x 25	551051052	M5 x 10
551040852	M4 x 8	551043052	M4 x 30	551051252	M5 x 12
551041052	M4 x 10	551043552	M4 x 35	551051652	M5 x 16
551041252	M4 x 12	551044052	M4 x 40	551051852	M5 x 18
551041652	M4 x 16	551045052	M4 x 50	551052052	M5 x 20
551042052	M4 x 20	551050852	M5 x 8	551052252	M5 x 22

Part no.	d1 x L	Part no.	d1 x L	Part no.	d1 x L
551052552	M5 x 25	551062052	M6 x 20	551081052	M8 x 10
551053052	M5 x 30	551062552	M6 x 25	551081252	M8 x 12
551054052	M5 x 40	551063052	M6 x 30	551081652	M8 x 16
551054552	M5 x 45	551063552	M6 x 35	551082052	M8 x 20
551055052	M5 x 50	551064052	M6 x 40	551082552	M8 x 25
551055552	M5 x 55	551064552	M6 x 45	551083052	M8 x 30
551061052	M6 x 10	551065052	M6 x 50	551083552	M8 x 35
551061252	M6 x 12	551065552	M6 x 55	551084052	M8 x 40
551061452	M6 x 14	551066052	M6 x 60	551084552	M8 x 45
551061652	M6 x 16	551067052	M6 x 70	551085052	M8 x 50

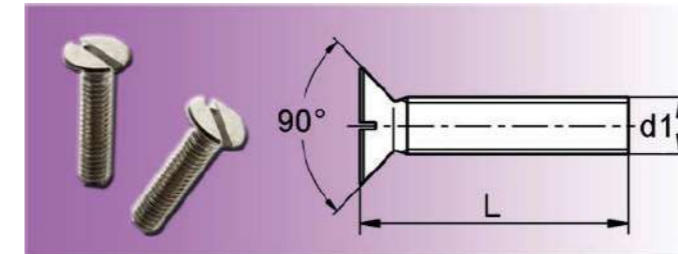
Screws according to DIN of metal | Countersunk screws ~DIN 963 stainless steel



Countersunk screws - metal
~DIN 963 (~DIN EN ISO 2009)
Material: stainless steel A2

Part no.	d1 x L	Part no.	d1 x L	Part no.	d1 x L
548030653	M3 x 6	548042053	M4 x 20	548055053	M5 x 50
548030853	M3 x 8	548042553	M4 x 25	548061053	M6 x 10
548031053	M3 x 10	548043053	M4 x 30	548061253	M6 x 12
548031253	M3 x 12	548043553	M4 x 35	548061653	M6 x 16
548031653	M3 x 16	548051053	M5 x 10	548062053	M6 x 20
548032053	M3 x 20	548051253	M5 x 12	548062553	M6 x 25
548032553	M3 x 25	548051653	M5 x 16	548063053	M6 x 30
548040653	M4 x 6	548052053	M5 x 20	548063553	M6 x 35
548040853	M4 x 8	548052553	M5 x 25	548064053	M6 x 40
548041053	M4 x 10	548053053	M5 x 30	548064553	M6 x 45
548041253	M4 x 12	548053553	M5 x 35	548065053	M6 x 50
548041653	M4 x 16	548054053	M5 x 40		

Screws according to DIN of metal | Countersunk screws ~DIN 963 machining steel

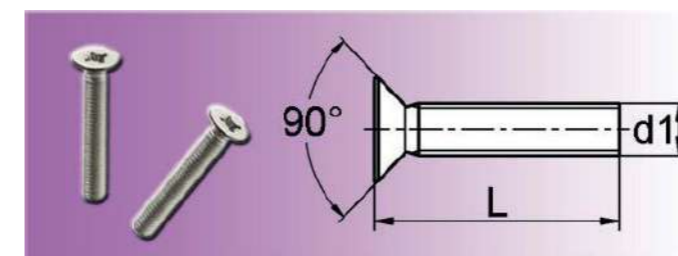


Countersunk screws - metal
~DIN 963 (~DIN EN ISO 2009)

Material: machining steel 4.8 zinc-plated

Part no.	d1 x L	Part no.	d1 x L	Part no.	d1 x L
548030652	M3 x 6	548042052	M4 x 20	548055052	M5 x 50
548030852	M3 x 8	548042552	M4 x 25	548061052	M6 x 10
548031052	M3 x 10	548043052	M4 x 30	548061252	M6 x 12
548031252	M3 x 12	548043552	M4 x 35	548061652	M6 x 16
548031652	M3 x 16	548051052	M5 x 10	548062052	M6 x 20
548032052	M3 x 20	548051252	M5 x 12	548062552	M6 x 25
548032552	M3 x 25	548051652	M5 x 16	548063052	M6 x 30
548040652	M4 x 6	548052052	M5 x 20	548063552	M6 x 35
548040852	M4 x 8	548052552	M5 x 25	548064052	M6 x 40
548041052	M4 x 10	548053052	M5 x 30	548064552	M6 x 45
548041252	M4 x 12	548053552	M5 x 35	548065052	M6 x 50
548041652	M4 x 16	548054052	M5 x 40		

Screws according to DIN of metal | Countersunk screws ~DIN 965 stainless steel



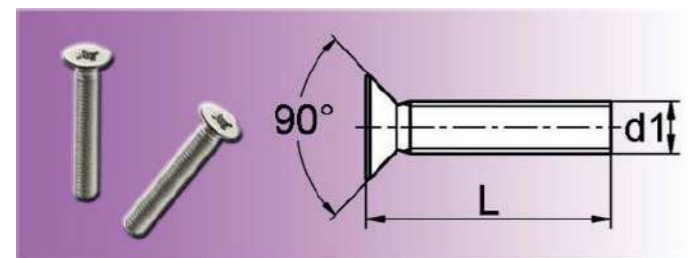
Countersunk screws - metal, cross slot
~DIN 965 (~DIN EN ISO 7046)

Material: stainless steel A2

Part no.	d1 x L	Part no.	d1 x L	Part no.	d1 x L
546030653	M3 x 6	546041053	M4 x 10	546051653	M5 x 16
546030853	M3 x 8	546041253	M4 x 12	546052053	M5 x 20
546031053	M3 x 10	546041653	M4 x 16	546052553	M5 x 25
546031253	M3 x 12	546042053	M4 x 20	546053053	M5 x 30
546031653	M3 x 16	546042553	M4 x 25	546053553	M5 x 35
546032053	M3 x 20	546043053	M4 x 30	546054053	M5 x 40
546032553	M3 x 25	546043553	M4 x 35	546054553	M5 x 45
546033053	M3 x 30	546044053	M4 x 40	546055053	M5 x 50
546040653	M4 x 6	546051053	M5 x 10	546060853	M6 x 8
546040853	M4 x 8	546051253	M5 x 12	546061053	M6 x 10

Part no.	d1 x L	Part no.	d1 x L	Part no.	d1 x L
546061253	M6 x 12	546065053	M6 x 50	546084053	M8 x 40
546061653	M6 x 16	546066053	M6 x 60	546085053	M8 x 50
546062053	M6 x 20	546081253	M8 x 12	546086053	M8 x 60
546062553	M6 x 25	546081653	M8 x 16	546102053	M10 x 20
546063053	M6 x 30	546082053	M8 x 20	546102553	M10 x 25
546063553	M6 x 35	546082553	M8 x 25	546103053	M10 x 30
546064053	M6 x 40	546083053	M8 x 30	546103553	M10 x 35
546064553	M6 x 45	546083553	M8 x 35	546104053	M10 x 40

Screws according to DIN of metal | Countersunk screws ~DIN 965 machining steel

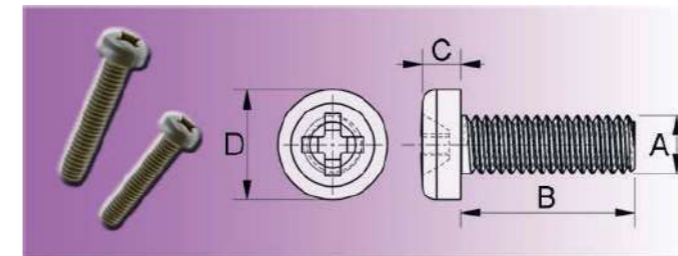


Countersunk screws - metal, cross slot
~DIN 965 (~DIN EN ISO 7046)

Material: machining steel 4.8 zinc-plated

Part no.	d1 x L	Part no.	d1 x L	Part no.	d1 x L
546030652	M3 x 6	546051052	M5 x 10	546064052	M6 x 40
546030852	M3 x 8	546051252	M5 x 12	546064552	M6 x 45
546031052	M3 x 10	546051652	M5 x 16	546065052	M6 x 50
546031252	M3 x 12	546052052	M5 x 20	546066052	M6 x 60
546031652	M3 x 16	546052552	M5 x 25	546081252	M8 x 12
546032052	M3 x 20	546053052	M5 x 30	546081652	M8 x 16
546032552	M3 x 25	546053552	M5 x 35	546082052	M8 x 20
546033052	M3 x 30	546054052	M5 x 40	546082552	M8 x 25
546040652	M4 x 6	546054552	M5 x 45	546083052	M8 x 30
546040852	M4 x 8	546055052	M5 x 50	546083552	M8 x 35
546041052	M4 x 10	546060852	M6 x 8	546084052	M8 x 40
546041252	M4 x 12	546061052	M6 x 10	546085052	M8 x 50
546041652	M4 x 16	546061252	M6 x 12	546086052	M8 x 60
546042052	M4 x 20	546061652	M6 x 16	546102052	M10 x 20
546042552	M4 x 25	546062052	M6 x 20	546102552	M10 x 25
546043052	M4 x 30	546062552	M6 x 25	546103052	M10 x 30
546043552	M4 x 35	546063052	M6 x 30	546103552	M10 x 35
546044052	M4 x 40	546063552	M6 x 35	546104052	M10 x 40

Screws without DIN of plastic | Pan head screws PEEK



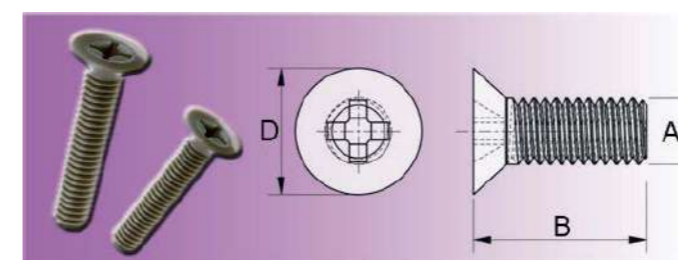
Material: PEEK
Colour: light brown

- Temperature: max. 180°C
- High-strength and excellent form stability
- High modulus of elasticity and excellent creep resistance
- Resistant to many chemicals
- Flammability rating: UL94 V0
- Further PEEK products: series 280 to series 285

Part no.	A	B	C	D
2800306	M3	6,0	2,0	5,5
2800308	M3	8,0	2,0	5,5
2800310	M3	10,0	2,0	5,5
2800312	M3	12,0	2,0	5,5
2800316	M3	16,0	2,0	5,5
2800320	M3	20,0	2,0	5,5
2800325	M3	25,0	2,0	5,5
2800406	M4	6,0	2,6	7,0
2800408	M4	8,0	2,6	7,0
2800410	M4	10,0	2,6	7,0
2800412	M4	12,0	2,6	7,0
2800416	M4	16,0	2,6	7,0
2800420	M4	20,0	2,6	7,0

Part no.	A	B	C	D
2800425	M4	25,0	2,6	7,0
2800508	M5	8,0	3,3	9,0
2800510	M5	10,0	3,3	9,0
2800512	M5	12,0	3,3	9,0
2800516	M5	16,0	3,3	9,0
2800520	M5	20,0	3,3	9,0
2800525	M5	25,0	3,3	9,0
2800610	M6	10,0	3,9	10,5
2800612	M6	12,0	3,9	10,5
2800616	M6	16,0	3,9	10,5
2800620	M6	20,0	3,9	10,5
2800625	M6	25,0	3,9	10,5
2800630	M6	30,0	3,9	10,5

Screws without DIN of plastic | Countersunk screws PEEK



Material: PEEK
Colour: light brown

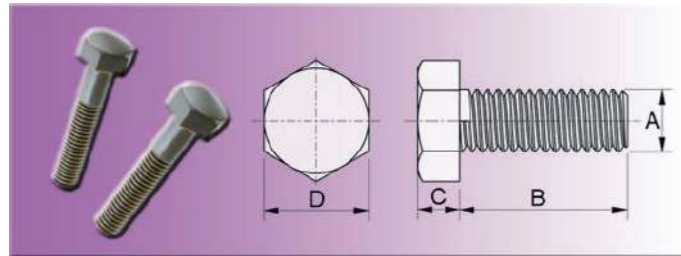
- Temperature: max. 180°C
- High-strength and excellent form stability
- High modulus of elasticity and excellent creep resistance
- Resistant to many chemicals
- Flammability rating: UL94 V0
- Further PEEK products: series 280 to series 285

Part no.	A	B	D
2810306	M3	6,0	6,0
2810308	M3	8,0	6,0
2810310	M3	10,0	6,0
2810312	M3	12,0	6,0
2810316	M3	16,0	6,0
2810320	M3	20,0	6,0
2810325	M3	25,0	6,0
2810406	M4	6,0	8,0

Part no.	A	B	D
2810408	M4	8,0	8,0
2810410	M4	10,0	8,0
2810412	M4	12,0	8,0
2810416	M4	16,0	8,0
2810420	M4	20,0	8,0
2810425	M4	25,0	8,0
2810508	M5	8,0	10,0
2810510	M5	10,0	10,0

Part no.	A	B	D
2810512	M5	12,0	10,0
2810515	M5	15,0	10,0
2810520	M5	20,0	10,0
2810525	M5	25,0	10,0
2810610	M6	10,0	12,0
2810615	M6	15,0	12,0
2810620	M6	20,0	12,0
2810630	M6	30,0	12,0

Screws without DIN of plastic | Hexagon head screws PEEK



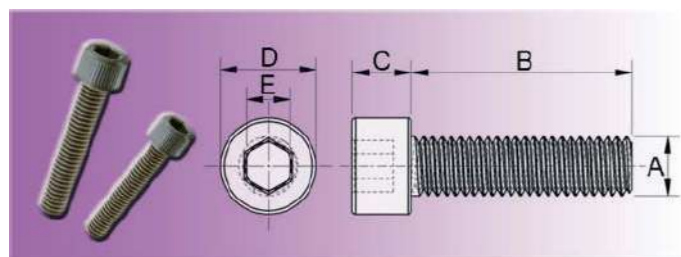
Material: PEEK
Colour: light brown

- Temperature: max. 180°C
- High-strength and excellent form stability
- High modulus of elasticity and excellent creep resistance
- Resistant to many chemicals
- Flammability rating: UL94 V0
- Further PEEK products: series 280 to series 285

Part no.	A	B	C	D
2820510	M5	10,0	3,5	8,0
2820512	M5	12,0	3,5	8,0
2820515	M5	15,0	3,5	8,0
2820520	M5	20,0	3,5	8,0
2820525	M5	25,0	3,5	8,0
2820530	M5	30,0	3,5	8,0
2820610	M6	10,0	4,0	10,0
2820612	M6	12,0	4,0	10,0
2820615	M6	15,0	4,0	10,0
2820620	M6	20,0	4,0	10,0
2820625	M6	25,0	4,0	10,0
2820630	M6	30,0	4,0	10,0
2820635	M6	35,0	4,0	10,0
2820640	M6	40,0	4,0	10,0
2820645	M6	45,0	4,0	10,0
2820650	M6	50,0	4,0	10,0
2820810	M8	10,0	5,5	13,0

Part no.	A	B	C	D
2820812	M8	12,0	5,5	13,0
2820815	M8	15,0	5,5	13,0
2820820	M8	20,0	5,5	13,0
2820825	M8	25,0	5,5	13,0
2820830	M8	30,0	5,5	13,0
2820835	M8	35,0	5,5	13,0
2820840	M8	40,0	5,5	13,0
2820845	M8	45,0	5,5	13,0
2820850	M8	50,0	5,5	13,0
2821015	M10	15,0	7,0	17,0
2821020	M10	20,0	7,0	17,0
2821025	M10	25,0	7,0	17,0
2821030	M10	30,0	7,0	17,0
2821035	M10	35,0	7,0	17,0
2821040	M10	40,0	7,0	17,0
2821045	M10	45,0	7,0	17,0
2821050	M10	50,0	7,0	17,0

Screws without DIN of plastic | Socket head screws PEEK



Material: PEEK
Colour: light brown

- Temperature: max. 180°C
- High-strength and excellent form stability
- High modulus of elasticity and excellent creep resistance
- Resistant to many chemicals
- Flammability rating: UL94 V0
- Further PEEK products: series 280 to series 285

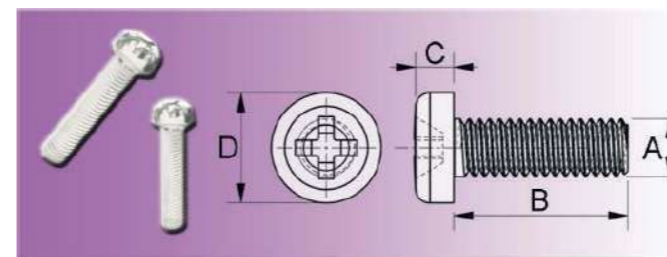
Part no.	A	B	C	D	E
2830308	M3	8,0	3,0	5,5	2,5
2830310	M3	10,0	3,0	5,5	2,5
2830312	M3	12,0	3,0	5,5	2,5
2830315	M3	15,0	3,0	5,5	2,5
2830320	M3	20,0	3,0	5,5	2,5

Part no.	A	B	C	D	E
2830325	M3	25,0	3,0	5,5	2,5
2830408	M4	8,0	4,0	7,0	3,0
2830410	M4	10,0	4,0	7,0	3,0
2830412	M4	12,0	4,0	7,0	3,0
2830415	M4	15,0	4,0	7,0	3,0

Part no.	A	B	C	D	E
2830420	M4	20,0	4,0	7,0	3,0
2830425	M4	25,0	4,0	7,0	3,0
2830430	M4	30,0	4,0	7,0	3,0
2830508	M5	8,0	5,0	8,5	4,0
2830510	M5	10,0	5,0	8,5	4,0
2830512	M5	12,0	5,0	8,5	4,0
2830515	M5	15,0	5,0	8,5	4,0
2830520	M5	20,0	5,0	8,5	4,0
2830525	M5	25,0	5,0	8,5	4,0
2830530	M5	30,0	5,0	8,5	4,0
2830610	M6	10,0	6,0	10,0	5,0
2830612	M6	12,0	6,0	10,0	5,0

Part no.	A	B	C	D	E
2830615	M6	15,0	6,0	10,0	5,0
2830620	M6	20,0	6,0	10,0	5,0
2830625	M6	25,0	6,0	10,0	5,0
2830630	M6	30,0	6,0	10,0	5,0
2830635	M6	35,0	6,0	10,0	5,0
2830810	M8	10,0	8,0	13,0	6,0
2830812	M8	12,0	8,0	13,0	6,0
2830815	M8	15,0	8,0	13,0	6,0
2830820	M8	20,0	8,0	13,0	6,0
2830825	M8	25,0	8,0	13,0	6,0
2830830	M8	30,0	8,0	13,0	6,0
2830835	M8	35,0	8,0	13,0	6,0

Screws without DIN of plastic | Cylinder head screws PC



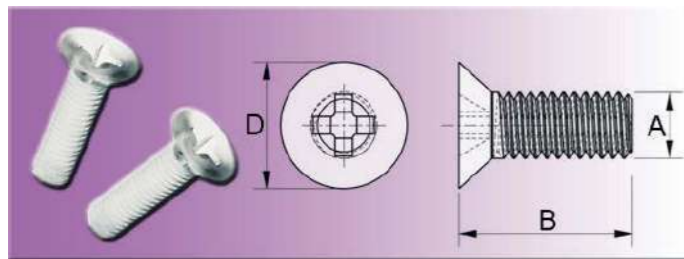
Material: PC
Colour: transparent

Part no.	A	B	C	D
2690206	M2	6,0	1,3	3,5
2690208	M2	8,0	1,3	3,5
2690210	M2	10,0	1,3	3,5
2690212	M2	12,0	1,3	3,5
2690304	M3	4,0	2,0	5,5
2690305	M3	5,0	2,0	5,5
2690306	M3	6,0	2,0	5,5
2690308	M3	8,0	2,0	5,5
2690310	M3	10,0	2,0	5,5
2690312	M3	12,0	2,0	5,5
2690315	M3	15,0	2,0	5,5
2690316	M3	16,0	2,0	5,5
2690318	M3	18,0	2,0	5,5
2690320	M3	20,0	2,0	5,5
2690325	M3	25,0	2,0	5,5
2690330	M3	30,0	2,0	5,5
2690405	M4	5,0	2,6	7,0
2690406	M4	6,0	2,6	7,0

Part no.	A	B	C	D
2690408	M4	8,0	2,6	7,0
2690410	M4	10,0	2,6	7,0
2690412	M4	12,0	2,6	7,0
2690415	M4	15,0	2,6	7,0
2690416	M4	16,0	2,6	7,0
2690418	M4	18,0	2,6	7,0
2690420	M4	20,0	2,6	7,0
2690425	M4	25,0	2,6	7,0
2690430	M4	30,0	2,6	7,0
2690506	M5	6,0	3,3	9,0
2690508	M5	8,0	3,3	9,0
2690510	M5	10,0	3,3	9,0
2690512	M5	12,0	3,3	9,0
2690515	M5	15,0	3,3	9,0
2690516	M5	16,0	3,3	9,0
2690518	M5	18,0	3,3	9,0
2690520	M5	20,0	3,3	9,0
2690525	M5	25,0	3,3	9,0

Part no.	A	B	C	D	Part no.	A	B	C	D
2690530	M5	30,0	3,3	9,0	2690635	M6	35,0	3,9	10,5
2690535	M5	35,0	3,3	9,0	2690640	M6	40,0	3,9	10,5
2690610	M6	10,0	3,9	10,5	2690812	M8	12,0	5,2	14,0
2690612	M6	12,0	3,9	10,5	2690815	M8	15,0	5,2	14,0
2690615	M6	15,0	3,9	10,5	2690820	M8	20,0	5,2	14,0
2690620	M6	20,0	3,9	10,5	2690825	M8	25,0	5,2	14,0
2690625	M6	25,0	3,9	10,5	2690830	M8	30,0	5,2	14,0
2690630	M6	30,0	3,9	10,5	2690840	M8	40,0	5,2	14,0

Screws without DIN of plastic | Countersunk screws PC

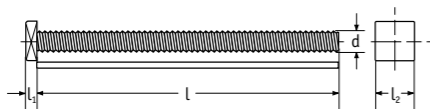


Material: PC
Colour: transparent

Part no.	A	B	D	Part no.	A	B	D	Part no.	A	B	D
2700203	M2	4,0	4,0	2700415	M4	15,0	8,0	2700612	M6	12,0	12,0
2700305	M3	6,0	6,0	2700416	M4	16,0	8,0	2700615	M6	15,0	12,0
2700307	M3	8,0	6,0	2700418	M4	18,0	8,0	2700620	M6	20,0	12,0
2700309	M3	10,0	6,0	2700420	M4	20,0	8,0	2700625	M6	25,0	12,0
2700315	M3	15,0	6,0	2700425	M4	25,0	8,0	2700630	M6	30,0	12,0
2700318	M3	18,0	6,0	2700508	M5	8,0	10,0	2700635	M6	35,0	12,0
2700320	M3	20,0	6,0	2700510	M5	10,0	10,0	2700810	M8	10,0	16,0
2700325	M3	25,0	6,0	2700512	M5	12,0	10,0	2700815	M8	15,0	16,0
2700406	M4	6,0	8,0	2700515	M5	15,0	10,0	2700820	M8	20,0	16,0
2700408	M4	8,0	8,0	2700520	M5	20,0	10,0	2700825	M8	25,0	16,0
2700410	M4	10,0	8,0	2700525	M5	25,0	10,0	2700830	M8	30,0	16,0
2700412	M4	12,0	8,0	2700610	M6	10,0	12,0				

Screws without DIN of plastic | Square Head Screws

SR 1980
Natural Nylon 6.6



Part Number	Dimensions (mm)				Standard Pack Quantity
	d	l	l ₁	l ₂	
0900530000VR	M6 x 1.0	40.0	3.0	10 x 10	1000
0900540000VR	M6 x 1.0	50.0	3.0	10 x 10	500
0900550000VR	M6 x 1.0	60.0	3.0	10 x 10	500
0900570000VR	M6 x 1.0	80.0	3.0	10 x 10	125
0900610000VR	M8 x 1.25	50.0	3.0	10 x 10	500



Screws according to DIN of metal | Countersunk screws ~DIN 963 machining steel

Micro Pan Head Screws

K-0054

Natural Reny

- Continuous use temperature 105°C
- Flammability UL94 HB
- 50% Glass filled PA
- High strength and elasticity coefficient
- Excellent oil resistance



Part Number	Dimensions (mm)				Standard Pack Quantity
	A	B	C	D	
1439958	M1.2	1.5	0.5	1.8	100
1439962	M1.2	1.8	0.5	1.8	100
1439963	M1.2	2.0	0.5	1.8	100
1439964	M1.2	2.5	0.5	1.8	100
1439965	M1.2	3.0	0.5	1.8	100
1439966	M1.2	3.5	0.5	1.8	100
1439967	M1.2	4.0	0.5	1.8	100
1439968	M1.4	2.0	0.5	2.0	100
1439969	M1.4	2.5	0.5	2.0	100
1439970	M1.4	3.0	0.5	2.0	100
1439971	M1.4	3.5	0.5	2.0	100
1439972	M1.4	4.0	0.5	2.0	100
1439973	M1.4	6.0	0.5	2.0	100
1439974	M1.6	2.0	0.5	2.3	100
1439975	M1.6	2.5	0.5	2.3	100
1439976	M1.6	3.0	0.5	2.3	100
1439977	M1.6	3.5	0.5	2.3	100
1439978	M1.6	4.0	0.5	2.3	100
1439979	M1.6	6.0	0.5	2.3	100

Micro Pan Head Screws

K-0055

Light Brown PEEK

- Continuous use temperature 108°C
- Flammability UL94 V-0
- Resistant to most chemicals



Part Number	Dimensions (mm)				Standard Pack Quantity
	A	B	C	D	
1439986	M1.2	1.5	0.5	1.8	100
1439987	M1.2	1.8	0.5	1.8	100
1439988	M1.2	2.0	0.5	1.8	100
1439989	M1.2	2.5	0.5	1.8	100
1439990	M1.2	3.0	0.5	1.8	100
1439991	M1.2	3.5	0.5	1.8	100
1439992	M1.2	4.0	0.5	1.8	100
1439993	M1.4	2.0	0.5	2.0	100
1439994	M1.4	2.5	0.5	2.0	100
1439995	M1.4	3.0	0.5	2.0	100
1439996	M1.4	3.5	0.5	2.0	100
1439997	M1.4	4.0	0.5	2.0	100
1439998	M1.4	6.0	0.5	2.0	100
1439999	M1.6	2.0	0.5	2.3	100
1440000	M1.6	2.5	0.5	2.3	100
1440001	M1.6	3.0	0.5	2.3	100
1440002	M1.6	3.5	0.5	2.3	100
1440003	M1.6	4.0	0.5	2.3	100
1440004	M1.6	6.0	0.5	2.3	100

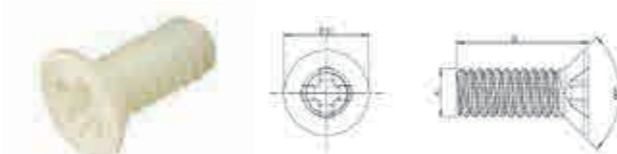
Micro Countersunk Screws

Micro Countersunk Screws

K-0056

Natural Reny

- Continuous use temperature 105°C
- Flammability UL94 HB
- 50% Glass filled PA
- High strength and elasticity
- Excellent oil resistance



Part Number	Dimensions (mm)			Standard Pack Quantity
	A	B	D	
1439980	M1.2	2.5	2.3	100
1439981	M1.2	4.0	2.3	100
1439982	M1.4	2.5	2.5	100
1439983	M1.4	4.0	2.5	100
1439984	M1.6	2.5	2.8	100
1439985	M1.6	4.0	2.8	100

Micro Countersunk Screws

K-0057

Light Brown PEEK

- Continuous use temperature 108°C
- Flammability UL94 V-0
- Resistant to most chemicals

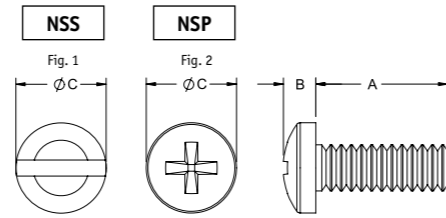


Part Number	Dimensions (mm)			Standard Pack Quantity
	A	B	D	
1440005	M1.2	2.5	2.3	100
1440006	M1.2	4.0	2.3	100
1440007	M1.4	2.5	2.5	100
1440008	M1.4	4.0	2.5	100
1440009	M1.6	2.5	2.8	100
1440010	M1.6	4.0	2.8	100

Slotted and Phillips Pan Head Screws

Slotted and Phillips Pan Head Screws

SR 2300
NSS/NSP
Natural PA 6/6 RMS-179

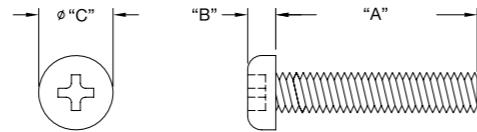


Slotted, Pan (Fig. 1)			Phillips, Pan (Fig. 2)			"A"	Standard Pack Quantity
Thread: #4-40	Thread: #6-32	Thread: #8-32	Thread: #4-40	Thread: #6-32	Thread: #8-32		
"B" = 1.8 "C" = 5.3	"B" = 2 "C" = 6.9	"B" = 2 "C" = 8.1	"B" = 2 "C" = 5.3	"B" = 2.3 "C" = 6.6	"B" = 2.8 "C" = 8.1		
NSS-4-2-01	NSS-6-2-01	NSS-8-2-01	NSP-4-2-01	NSP-6-2-01	NSP-8-2-01	3.2	1000
NSS-4-3-01	NSS-6-3-01	NSS-8-3-01	NSP-4-3-01	NSP-6-3-01	NSP-8-3-01	4.8	1000
-	NSS-6-4-01	NSS-8-4-01	NSP-4-4-01	NSP-6-4-01	NSP-8-4-01	6.4	1000
-	-	NSS-8-5-01	NSP-4-5-01	NSP-6-5-01	NSP-8-5-01	7.9	1000
NSS-4-6-01	NSS-6-6-01	NSS-8-6-01	-	-	NSP-8-6-01	9.5	1000
NSS-4-7-01	-	NSS-8-7-01	NSP-4-7-01	NSP-6-7-01	NSP-8-7-01	11.1	1000
-	NSS-6-8-01	NSS-8-8-01	-	NSP-6-8-01	NSP-8-8-01	12.7	1000

Nylon Metric Screw

Nylon Metric Screw

SR 2301
NMS
Natural UL94 V2 PA 6/6 RMS-01

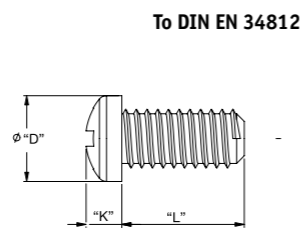


Part Number	Dimensions (mm)				Standard Pack Quantity
	"A"	"B"	Thread	"C"	
NMS-306	6.4	2.5	M3	5.7	1000
NMS-308	8	2.5	M3	5.7	1000
NMS-310	10	2.5	M3	5.7	1000
NMS-312	12.1	2.5	M3	5.7	1000
NMS-408	8	2.8	M4	7.4	1000

Cross Recessed Oval Head Screw

Cross Recessed Oval Head Screw

SR 2302
NSE-34812
Natural PA 6/6 RMS-179

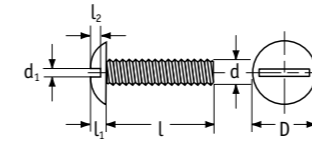


Thread: M3	Thread: M4	Thread: M5	Thread: M6	"L"	Standard Pack Quantity
"D" = 6 "K" = 2.4	"D" = 8 "K" = 3.1	"D" = 9.5 "K" = 3.7	"D" = 12 "K" = 4.6		
NSE-34812-M3-4	-	-	-	4	1000
008120000VR	-	-	-	5	1000
NSE-34812-M3-6	NSE-34812-M4-6	-	-	6	1000
NSE-34812-M3-8	NSE-34812-M4-8	NSE-34812-M5-8	NSE-34812-M6-8	8	1000
NSE-34812-M3-10	NSE-34812-M4-10	NSE-34812-M5-10	NSE-34812-M6-10	10	1000
-	NSE-34812-M4-12	-	NSE-34812-M6-12	12	1000
-	NSE-34812-M4-16	NSE-34812-M5-16	NSE-34812-M6-16	16	1000
NSE-34812-M3-20	NSE-34812-M4-20	-	NSE-34812-M6-20	20	1000
NSE-34812-M3-25	-	NSE-34812-M5-25	NSE-34812-M6-25	25	1000
-	NSE-34812-M4-30	-	NSE-34812-M6-30	30	1000
-	NSE-34812-M4-40	NSE-34812-M5-40	NSE-34812-M6-40	40	1000

Cross Slotted Mushroom Head Screws

Cross Slotted Mushroom Head Screws

SR 1971
Natural and Black Nylon 6.6
• Refer to standard NF E 25-129 for guidance purposes only
• Black Screws Standard Pack Quantity = 100

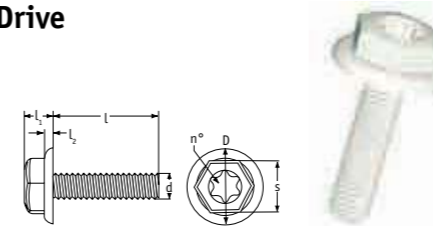


Part Number		Dimensions (mm)						Standard Pack Quantity
Natural	Black	d	l	D	H	l1	l2	
017065000VR	0170650001VR	M8 x 1.25	10.0	20.0	4.4	2.0	2.0	1000
087069000VR	0870690001VR	M8 x 1.25	20.0	20.0	4.4	2.0	2.0	1000
087070000VR	1287345	M8 x 1.25	25.0	20.0	4.4	2.0	2.0	1000
087071000VR	0870710001VR	M8 x 1.25	30.0	20.0	4.4	2.0	2.0	1000

Flanged Hexagonal Screws with Internal Star Drive

Flanged Hexagonal Screws with Internal Star Drive

SR 1975
Natural PA 6.6

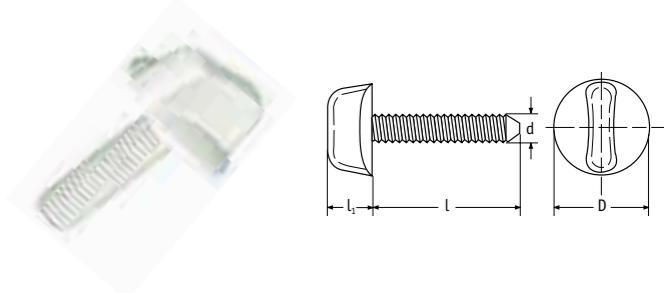


Part Number	Dimensions (mm)							No.	Standard Pack Quantity
	d	l	l1	l2	D	s			
007016000VR	M4 x 0.7	6.0	5.8	2.0	11.5	8.0	20	1000	
007017000VR	M4 x 0.7	8.0	5.8	2.0	11.5	8.0	20	1000	
007018000VR	M4 x 0.7	10.0	5.8	2.0	11.5	8.0	20	1000	
007019000VR	M4 x 0.7	12.0	5.8	2.0	11.5	8.0	20	1000	
007021000VR	M4 x 0.7	16.0	5.8	2.0	11.5	8.0	20	1000	
007182000VR	M4 x 0.7	18.0	5.8	2.0	11.5	8.0	20	1000	
007022000VR	M4 x 0.7	20.0	5.8	2.0	11.5	8.0	20	1000	
007026000VR	M5 x 0.8	6.0	5.8	2.0	11.5	8.0	20	1000	
007028000VR	M5 x 0.8	10.0	5.8	2.0	11.5	8.0	20	1000	
007029000VR	M5 x 0.8	12.0	5.8	2.0	11.5	8.0	20	1000	
007031000VR	M5 x 0.8	16.0	5.8	2.0	11.5	8.0	20	1000	
007033000VR	M5 x 0.8	20.0	5.8	2.0	11.5	8.0	20	1000	
007041000VR	M6 x 1.0	8.0	6.6	2.4	14.0	10.0	30	1000	
007042000VR	M6 x 1.0	10.0	6.6	2.4	14.0	10.0	30	1000	
007043000VR	M6 x 1.0	12.0	6.6	2.4	14.0	10.0	30	1000	
007045000VR	M6 x 1.0	16.0	6.6	2.4	14.0	10.0	30	1000	
007046000VR	M6 x 1.0	20.0	6.6	2.4	14.0	10.0	30	1000	
007048000VR	M6 x 1.0	25.0	6.6	2.4	14.0	10.0	30	1000	
007050000VR	M6 x 1.0	30.0	6.6	2.4	14.0	10.0	30	1000	
007068000VR	M8 x 1.25	16.0	8.1	2.7	18.0	13.0	40	1000	
007069000VR	M8 x 1.25	20.0	8.1	2.7	18.0	13.0	40	500	
007070000VR	M8 x 1.25	25.0	8.1	2.7	18.0	13.0	40	1000	
007071000VR	M8 x 1.25	30.0	8.1	2.7	18.0	13.0	40	1000	
007127000VR	M10 x 1.5	40.0	10.4	3.5	22.0	16.0	50	250	
007089000VR	M10 x 1.5	50.0	10.4	3.5	22.0	16.0	50	250	
007090000VR	M10 x 1.5	60.0	10.4	3.5	22.0	16.0	50	1000	
007091000VR	M10 x 1.5	70.0	10.4	3.5	22.0	16.0	50	250	

Wing Screws with Washer

Wing Screws with Washer

SR 1979
Natural Nylon 6.6



Part Number	Dimensions (mm)				Standard Pack Quantity
	d	l	D	l1	
027045000VR	M4 x 0.7	6.0	16.0	10.0	1000
027046000VR	M4 x 0.7	8.0	16.0	10.0	1000
027047000VR	M4 x 0.7	10.0	16.0	10.0	1000
027048000VR	M4 x 0.7	12.0	16.0	10.0	1000
027049000VR	M4 x 0.7	15.0	16.0	10.0	1000
027052000VR	M4 x 0.7	20.0	16.0	10.0	1000
027054000VR	M4 x 0.7	25.0	16.0	10.0	1000
027055000VR	M4 x 0.7	30.0	16.0	10.0	1000
027056000VR	M4 x 0.7	40.0	16.0	10.0	1000
027057000VR	M5 x 0.8	6.0	16.0	10.0	1000
027058000VR	M5 x 0.8	8.0	16.0	10.0	1000
027021000VR	M5 x 0.8	10.0	16.0	10.0	1000
027059000VR	M5 x 0.8	15.0	16.0	10.0	1000
027023000VR	M5 x 0.8	20.0	16.0	10.0	1000
027024000VR	M5 x 0.8	25.0	16.0	10.0	1000
027025000VR	M5 x 0.8	30.0	16.0	10.0	1000
027026000VR	M5 x 0.8	40.0	16.0	10.0	1000
027061000VR	M6 x 1.0	8.0	25.0	12.0	1000
027001000VR	M6 x 1.0	10.0	25.0	12.0	1000
027002000VR	M6 x 1.0	12.0	25.0	12.0	1000
027062000VR	M6 x 1.0	15.0	25.0	12.0	1000
027004000VR	M6 x 1.0	20.0	25.0	12.0	1000
027006000VR	M6 x 1.0	25.0	25.0	12.0	1000
027007000VR	M6 x 1.0	30.0	25.0	12.0	1000
027063000VR	M6 x 1.0	40.0	25.0	12.0	1000
027065000VR	M6 x 1.0	50.0	25.0	12.0	1000
027066000VR	M6 x 1.0	60.0	25.0	12.0	500
027068000VR	M6 x 1.0	80.0	25.0	12.0	500
027020000VR	M8 x 1.25	8.0	25.0	12.0	1000
027008000VR	M8 x 1.25	10.0	25.0	12.0	1000
027009000VR	M8 x 1.25	16.0	25.0	12.0	1000
027010000VR	M8 x 1.25	20.0	25.0	12.0	1000
027011000VR	M8 x 1.25	25.0	25.0	12.0	1000
027012000VR	M8 x 1.25	30.0	25.0	12.0	1000
027013000VR	M8 x 1.25	35.0	25.0	12.0	1000
027014000VR	M8 x 1.25	40.0	25.0	12.0	1000
027028000VR	M8 x 1.25	50.0	25.0	12.0	500
027029000VR	M8 x 1.25	60.0	25.0	12.0	500
027030000VR	M8 x 1.25	70.0	25.0	12.0	500
027031000VR	M8 x 1.25	80.0	25.0	12.0	500
027027000VR	M10 x 1.5	16.0	25.0	12.0	500
027016000VR	M10 x 1.5	20.0	25.0	12.0	500
027017000VR	M10 x 1.5	30.0	25.0	12.0	250
027032000VR	M10 x 1.5	40.0	25.0	12.0	500
027033000VR	M10 x 1.5	50.0	25.0	12.0	250
027034000VR	M10 x 1.5	60.0	25.0	12.0	250
027036000VR	M10 x 1.5	80.0	25.0	12.0	250
027037000VR	M12 x 1.75	16.0	25.0	12.0	1000
027038000VR	M12 x 1.75	20.0	25.0	12.0	500
027039000VR	M12 x 1.75	30.0	25.0	12.0	500
027040000VR	M12 x 1.75	40.0	25.0	12.0	500
027041000VR	M12 x 1.75	50.0	25.0	12.0	250
027044000VR	M12 x 1.75	80.0	25.0	12.0	250

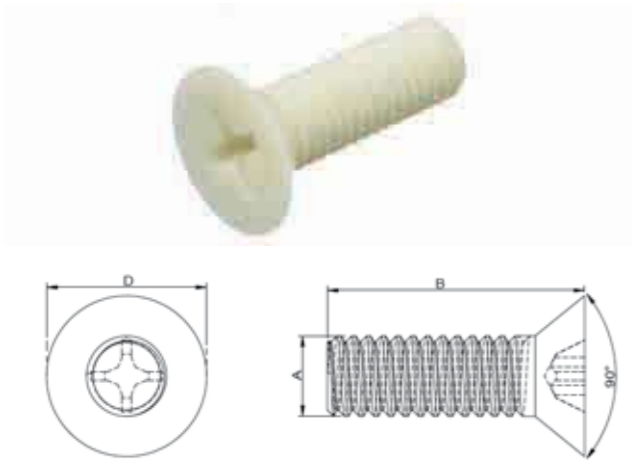
Countersunk Screws

Countersunk Screws

K-0058

Natural and Black Reny

- Continuous use temperature 105°C
- Flammability UL94 HB
- High strength and elasticity coefficient
- Excellent oil resistance
- Available in natural and black



Part Number		Dimensions (mm)			Standard Pack Quantity
Natural	Black	A	B	D	
1440011	1440044	M2	6.0	4.0	100
1440012	1440045	M2	8.0	4.0	100
1440013	1440046	M2	10.0	4.0	100
1440014	1440047	M2.6	4.0	5.2	100
1440015	1440048	M2.6	6.0	5.2	100
1440016	1440049	M2.6	8.0	5.2	100
1440017	1440050	M2.6	10.0	5.2	100
1440018	1440051	M3	5.0	6.0	100
1440019	1440052	M3	6.0	6.0	100
1440020	1440053	M3	8.0	6.0	100
1440021	1440054	M3	10.0	6.0	100
1440022	1440055	M3	12.0	6.0	100
1440023	1440056	M3	15.0	6.0	100
1440024	1440057	M3	20.0	6.0	100
1440025	1440058	M3	25.0	6.0	100
1440026	1440059	M4	6.0	8.0	100
1440027	1440060	M4	8.0	8.0	100
1440028	1440061	M4	10.0	8.0	100
1440029	1440062	M4	12.0	8.0	100
1440030	1440063	M4	15.0	8.0	100
1440031	1440064	M4	20.0	8.0	100
1440032	1440065	M4	25.0	8.0	50
1440033	1440066	M5	10.0	10.0	100
1440034	1440067	M5	12.0	10.0	100
1440035	1440068	M5	15.0	10.0	50
1440036	1440069	M5	20.0	10.0	50
1440037	1440070	M5	25.0	10.0	50
1440038	1440071	M6	10.0	12.0	50
1440039	1440072	M6	12.0	12.0	50
1440040	1440073	M6	15.0	12.0	50
1440041	1440074	M6	20.0	12.0	25
1440042	1440075	M6	25.0	12.0	25
1440043	1440076	M6	30.0	12.0	25

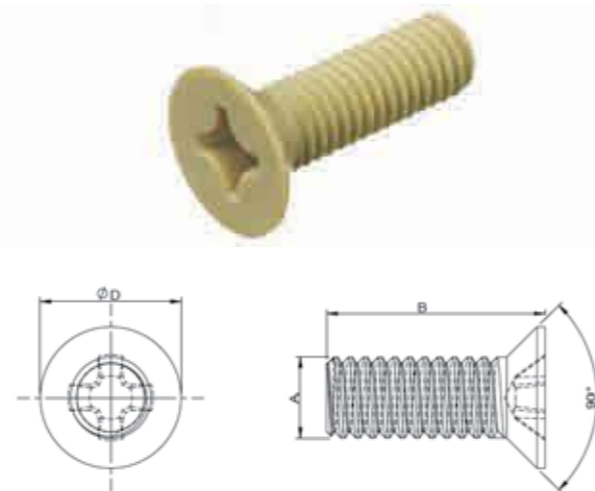
Countersunk Screws

Countersunk Screws

K-0060

Beige PPS

- Continuous use temperature: 200°C
- Flammability: UL94 V0
- Excellent resistance to chemicals



Part Number		Dimensions (mm)			Standard Pack Quantity
		A	B	D	
1440077	M3	6.0	6.0	6.0	25
1440078	M3	8.0	6.0	6.0	25
1440079	M3	10.0	6.0	6.0	25
1440080	M3	12.0	6.0	6.0	25
1440081	M3	15.0	6.0	6.0	25
1440082	M3	20.0	6.0	6.0	25
1440083	M3	25.0	6.0	6.0	25
1440084	M4	8.0	8.0	8.0	25
1440085	M4	10.0	8.0	8.0	25
1440086	M4	12.0	8.0	8.0	25
1440087	M4	15.0	8.0	8.0	25
1440088	M4	20.0	8.0	8.0	25
1440089	M4	25.0	8.0	8.0	25
1440090	M5	10.0	10.0	10.0	25
1440091	M5	12.0	10.0	10.0	25
1440092	M5	15.0	10.0	10.0	25
1440093	M5	20.0	10.0	10.0	25
1440094	M5	25.0	10.0	10.0	25
1440095	M6	10.0	12.0	12.0	25
1440096	M6	12.0	12.0	12.0	25
1440097	M6	15.0	12.0	12.0	25
1440098	M6	20.0	12.0	12.0	25
1440099	M6	25.0	12.0	12.0	25
1440100	M6	30.0	12.0	12.0	25

Pan Head Screws

Pan Head Screws

K-0059

Natural Reny

- Continuous use temperature 105°C
- Flammability UL94 HB
- High strength and elasticity coefficient
- Excellent oil resistance



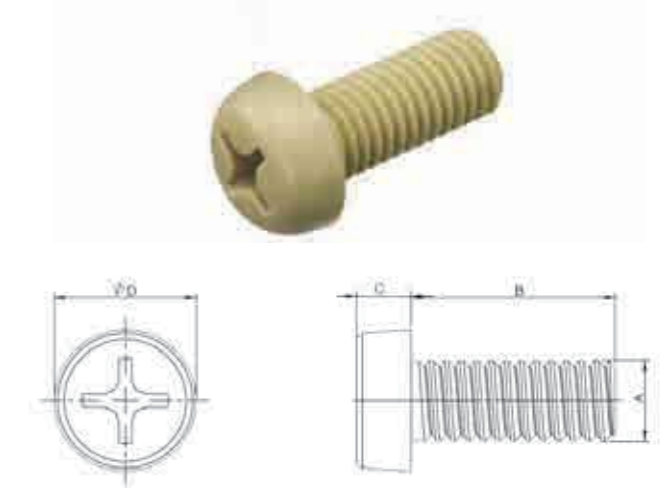
Part Number	Dimensions (mm)				Standard Pack Quantity
	A	B	C	D	
1440139	M2	3.0	1.3	3.5	100
1440140	M2	4.0	1.3	3.5	100
1440141	M2	5.0	1.3	3.5	100
1440142	M2	6.0	1.3	3.5	100
1440143	M2	8.0	1.3	3.5	100
1440144	M2	10.0	1.3	3.5	100
1440145	M2	12.0	1.3	3.5	100
1440146	M2.6	4.0	1.7	4.5	100
1440147	M2.6	5.0	1.7	4.5	100
1440148	M2.6	6.0	1.7	4.5	100
1440149	M2.6	8.0	1.7	4.5	100
1440150	M2.6	10.0	1.7	4.5	100
1440151	M2.6	12.0	1.7	4.5	100
1440152	M3	4.0	2.0	5.5	100
1440153	M3	5.0	2.0	5.5	100
1440154	M3	6.0	2.0	5.5	100
1440155	M3	8.0	2.0	5.5	100
1440156	M3	10.0	2.0	5.5	100
1440157	M3	12.0	2.0	5.5	100
1440158	M3	15.0	2.0	5.5	100
1440159	M3	20.0	2.0	5.5	100
1440160	M3	25.0	2.0	5.5	100
1440161	M3	30.0	2.0	5.5	100
1440162	M4	5.0	2.6	7.0	100
1440163	M4	6.0	2.6	7.0	100
1440164	M4	8.0	2.6	7.0	100
1440165	M4	10.0	2.6	7.0	100
1440166	M4	12.0	2.6	7.0	100
1440167	M4	15.0	2.6	7.0	100
1440168	M4	20.0	2.6	7.0	100
1440169	M4	25.0	2.6	7.0	50
1440170	M4	30.0	2.6	7.0	50
1440171	M5	8.0	3.3	9.0	100
1440172	M5	10.0	3.3	9.0	100
1440173	M5	12.0	3.3	9.0	100
1440174	M5	15.0	3.3	9.0	50
1440175	M5	20.0	3.3	9.0	50
1440176	M5	25.0	3.3	9.0	50
1440177	M5	30.0	3.3	9.0	25
1440178	M5	35.0	3.3	9.0	25
1440179	M6	10.0	3.9	10.5	50
1440180	M6	12.0	3.9	10.5	50
1440181	M6	15.0	3.9	10.5	50
1440182	M6	20.0	3.9	10.5	25
1440183	M6	25.0	3.9	10.5	25
1440184	M6	30.0	3.9	10.5	25
1440185	M6	35.0	3.9	10.5	25

Pan Head Screws

K-0061

Beige PPS

- Continuous use temperature: 200°C
- Flammability: UL94 V0
- Excellent resistance to chemicals

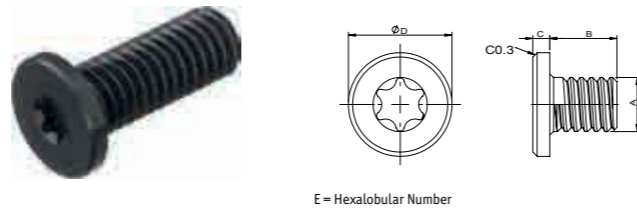


Part Number	Dimensions (mm)				Standard Pack Quantity
	A	B	C	D	
1440101	M2	4.0	1.3	3.5	25
1440102	M2	6.0	1.3	3.5	25
1440103	M2	8.0	1.3	3.5	25
1440104	M2	10.0	1.3	3.5	25
1440105	M2	12.0	1.3	3.5	25
1440106	M2.6	6.0	1.7	4.5	25
1440107	M2.6	8.0	1.7	4.5	25
1440108	M2.6	10.0	1.7	4.5	25
1440109	M2.6	12.0	1.7	4.5	25
1440110	M3	6.0	2.0	5.5	25
1440111	M3	8.0	2.0	5.5	25
1440112	M3	10.0	2.0	5.5	25
1440113	M3	12.0	2.0	5.5	25
1440114	M3	15.0	2.0	5.5	25
1440115	M3	20.0	2.0	5.5	25
1440116	M3	25.0	2.0	5.5	25
1440117	M3	30.0	2.0	5.5	25
1440118	M4	6.0	2.6	7.0	25
1440119	M4	8.0	2.6	7.0	25
1440120	M4	10.0	2.6	7.0	25
1440121	M4	12.0	2.6	7.0	25
1440122	M4	15.0	2.6	7.0	25
1440123	M4	20.0	2.6	7.0	25
1440124	M4	25.0	2.6	7.0	25
1440125	M4	30.0	2.6	7.0	25
1440126	M5	8.0	3.3	9.0	25
1440127	M5	10.0	3.3	9.0	25
1440128	M5	12.0	3.3	9.0	25
1440129	M5	15.0	3.3	9.0	25
1440130	M5	20.0	3.3	9.0	25
1440131	M5	25.0	3.3	9.0	25
1440132	M5	30.0	3.3	9.0	25
1440133	M6	10.0	3.9	10.5	25
1440134	M6	12.0	3.9	10.5	25
1440135	M6	15.0	3.9	10.5	25
1440136	M6	20.0	3.9	10.5	25
1440137	M6	25.0	3.9	10.5	25
1440138	M6	30.0	3.9	10.5	25

Reny Special Low Head Hexalobular Screw

Reny Special Low Head Hexalobular Screw

- Black Reny: 50% Glass filled Polyamide**
- High strength and elasticity coefficient
 - Excellent oil resistance
 - Continuous use of temperature 105°C



E = Hexalobular Number

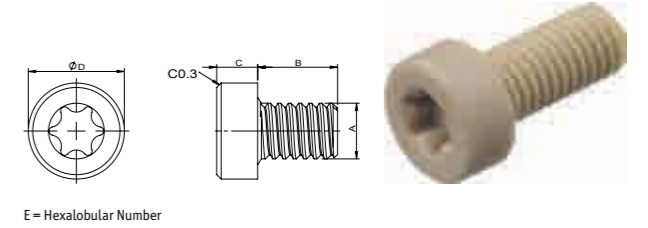
Part Number	Dimensions (mm)					Standard Pack Quantity
	A	B	C	D	E	
1440753	M3	6	1.3	6	8	50
1440754	M3	8	1.3	6	8	50
1440755	M3	10	1.3	6	8	50
1440756	M3	12	1.3	6	8	50
1440757	M3	16	1.3	6	8	50
1440758	M3	20	1.3	6	8	50
1440759	M4	6	1.5	8	10	50
1440760	M4	8	1.5	8	10	50
1440761	M4	10	1.5	8	10	50
1440762	M4	12	1.5	8	10	50
1440763	M4	16	1.5	8	10	50
1440764	M4	20	1.5	8	10	25
1440765	M4	25	1.5	8	10	25

Part Number	Dimensions (mm)					Standard Pack Quantity
	A	B	C	D	E	
1440766	M5	8	1.5	9	15	25
1440768	M5	12	1.5	9	15	25
1440769	M5	16	1.5	9	15	25
1440770	M5	20	1.5	9	15	25
1440771	M5	25	1.5	9	15	25
1440772	M5	30	1.5	9	15	10
1440773	M6	10	1.5	10	20	25
1440774	M6	12	1.5	10	20	25
1440775	M6	16	1.5	10	20	25
1440776	M6	20	1.5	10	20	25
1440777	M6	25	1.5	10	20	25
1440778	M6	30	1.5	10	20	25
1440779	M6	25	1.5	10	20	10

PPS Low Head Hexalobular Screw

PPS Low Head Hexalobular Screw

- Light Brown**
- Excellent Temperature resistance, continuous use up to 200 °C
 - Excellent resistance to chemicals
 - Flame resistance: UL94 V0



E = Hexalobular Number

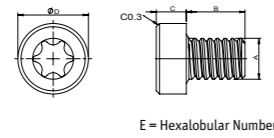
Part Number	Dimensions (mm)					Standard Pack Quantity
	A	B	C	D	E	
1440233	M3	6	2.4	5.5	10	25
1440234	M3	8	2.4	5.5	10	25
1440235	M3	10	2.4	5.5	10	25
1440236	M3	12	2.4	5.5	10	25
1440237	M3	16	2.4	5.5	10	25
1440238	M3	20	2.4	5.5	10	25
1440239	M4	6	3.1	7.0	20	25
1440240	M4	8	3.1	7.0	20	25
1440241	M4	10	3.1	7.0	20	25
1440242	M4	12	3.1	7.0	20	25
1440243	M4	16	3.1	7.0	20	25
1440244	M4	20	3.1	7.0	20	25
1440245	M4	25	3.1	7.0	20	25

Part Number	Dimensions (mm)					Standard Pack Quantity
	A	B	C	D	E	
1440246	M5	8	3.65	8.5	25	25
1440247	M5	10	3.65	8.5	25	25
1440248	M5	12	3.65	8.5	25	25
1440249	M5	16	3.65	8.5	25	25
1440250	M5	20	3.65	8.5	25	10
1440251	M5	25	3.65	8.5	25	10
1440252	M5	30	3.65	8.5	25	10
1440253	M6	10	4.4	10.0	30	10
1440254	M6	12	4.4	10.0	30	10
1440255	M6	16	4.4	10.0	30	10
1440256	M6	20	4.4	10.0	30	10
1440257	M6	25	4.4	10.0	30	10
1440258	M6	30	4.4	10.0	30	10

PEEK Low Head Hexalobular Screw

PEEK Low Head Hexalobular Screw

- PEEK®: Light Brown**
- Continuous use temperature 180°C
 - Resistant to most chemicals
 - Flame resistance: UL94 V0



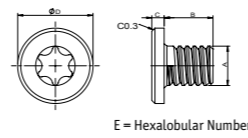
E = Hexalobular Number

Part Number	Dimensions (mm)					Standard Pack Quantity
	A	B	C	D	E	
1440341	M3	6	2.4	5.5	10	25
1440342	M3	8	2.4	5.5	10	25
1440343	M3	10	2.4	5.5	10	25
1440344	M3	12	2.4	5.5	10	25
1440345	M3	16	2.4	5.5	10	25
1440346	M3	20	2.4	5.5	10	25
1440347	M4	6	3.1	7	20	25
1440348	M4	8	3.1	7	20	25
1440349	M4	10	3.1	7	20	25
1440350	M4	12	3.1	7	20	25
1440351	M4	16	3.1	7	20	25
1440352	M4	20	3.1	7	20	10
1440353	M4	25	3.1	7	20	10
1440354	M5	8	3.65	8.5	25	10
1440355	M5	10	3.65	8.5	25	10
1440356	M5	12	3.65	8.5	25	10
1440357	M5	16	3.65	8.5	25	10
1440358	M5	20	3.65	8.5	25	10
1440359	M5	25	3.65	8.5	25	10
1440360	M5	30	3.65	8.5	25	10
1440361	M6	10	4.4	10	30	10
1440362	M6	12	4.4	10	30	10
1440363	M6	16	4.4	10	30	10
1440364	M6	20	4.4	10	30	10
1440365	M6	25	4.4	10	30	10
1440366	M6	30	4.4	10	30	10
1440367	M6	40	4.4	10	30	10

PEEK Special Low Head Hexalobular Screw

PEEK Special Low Head Hexalobular Screw

- PEEK®: Light Brown**
- Continuous use temperature 180°C
 - Resistant to most chemicals
 - Flame resistance: UL94 V0



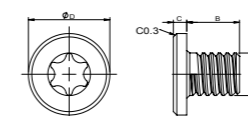
E = Hexalobular Number

Part Number	Dimensions (mm)					Standard Pack Quantity
	A	B	C	D	E	
1440368	M3	6	1.3	6	8	25
1440369	M3	8	1.3	6	8	25
1440370	M3	10	1.3	6	8	25
1440371	M3	12	1.3	6	8	25
1440372	M3	16	1.3	6	8	25
1440373	M3	20	1.5	6	8	25
1440374	M4	6	1.5	8	10	25
1440375	M4	8	1.5	8	10	25
1440376	M4	10	1.5	8	10	25
1440377	M4	12	1.5	8	10	25
1440778	M4	16	1.5	8	10	25
1440779	M4	20	1.5	8	10	25
1440780	M4	25	1.5	8	10	10
1440781	M5	8	1.5	9	15	10
1440782	M5	10	1.5	9	15	10
1440783	M5	12	1.5	9	15	10
1440784	M5	16	1.5	9	15	10
1440785	M5	20	1.5	9	15	10
1440786	M5	25	1.5	9	15	10
1440787	M5	30	1.5	9	15	10
1440788	M6	10	1.5	10	20	10
1440789	M6	12	1.5	10	20	10
1440790	M6	16	1.5	10	20	10
1440791	M6	20	1.5	10	20	10
1440792	M6	25	1.5	10	20	10
1440793	M6	30	1.5	10	20	10
1440794	M6	35	1.5	10	20	10
1440795	M6	40	1.5	10	20	10

PPS Special Low Head Hexalobular Screw

PPS Special Low Head Hexalobular Screw

- Light Brown**
- Excellent Temperature resistance, continuous use up to 200 °C
 - Excellent resistance to chemicals
 - Flame resistance: UL94 V0



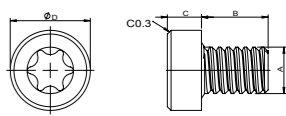
E = Hexalobular Number

Part Number	Dimensions (mm)					Standard Pack Quantity
	A	B	C	D	E	
1440260	M3	6	1.3	6	8	25
1440261	M3	8	1.3	6	8	25
1440262	M3	10	1.3	6	8	25
1440263	M3	12	1.3	6	8	25
1440264	M3	16	1.3	6	8	25
1440265	M3	20	1.3	6	8	25
1440266	M4	6	1.5	8	10	25
1440267	M4	8	1.5	8	10	25
1440268	M4	10	1.5	8	10	25
1440269	M4	12	1.5	8	10	25
1440270	M4	16	1.5	8	10	25
1440271	M4	20	1.5	8	10	25
1440272	M4	25	1.5	8	10	25
1440273	M5	8	1.5	9	15	25
1440274	M5	10	1.5	9	15	25
1440275	M5	12	1.5	9	15	25
1440276	M5	16	1.5	9	15	25
1440277	M5	20	1.5	9	15	10
1440278	M5	25	1.5	9	15	10
1440279	M5	30	1.5	9	15	10
1440280	M6	10	1.5	10	20	10
1440281	M6	12	1.5	10	20	10
1440282	M6	16	1.5	10	20	10
1440283	M6	20	1.5	10	20	10
1440284	M6	25	1.5	10	20	10
1440285	M6	30	1.5	10	20	10
1440286	M6	40	1.5	10	20	10

PPS Special Low Head Hexalobular Screw

Reny Low Head Hexalobular Screw

- Reny: 50% Glass filled Polyamide**
- High strength and elasticity coefficient
 - Excellent oil resistance
 - Continuous use of temperature 105°C



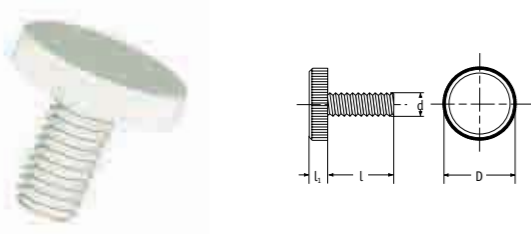
E = Hexalobular Number

Part Number	Dimensions (mm)					Standard Pack Quantity
	A	B	C	D	E	
1440726	M3	6	C	5.5	10	50
1440727	M3	8	2.4	5.5	10	50
1440728	M3	10	2.4	5.5	10	50
1440729	M3	12	2.4	5.5	10	50
1440730	M3	16	2.4	5.5	10	50
1440731	M3	20	2.4	5.5	10	50
1440732	M4	6	2.4	7.0	20	50
1440733	M4	8	3.1	7.0	20	50
1440734	M4	10	3.1	7.0	20	50
1440735	M4	12	3.1	7.0	20	50
1440736	M4	16	3.1	7.0	20	50
1440737	M4	20	3.1	7.0	20	25
1440738	M4	25	3.1	7.0	20	25
1440739	M5	8	3.1	8.5	25	25
1440740	M5	10	3.65	8.5	25	25
1440741	M5	12	3.65	8.5	25	25
1440742	M5	16	3.65	8.5	25	25
1440743	M5	20	3.65	8.5	25	25
1440744	M5	25	3.65	8.5	25	25
1440745	M5	30	3.65	8.5	25	10
1440746	M6	10	3.65	10.0	30	25
1440747	M6	12	4.4	1		

Thumb Screws

Thumb Screws

SR 1976
Natural Nylon 6.6

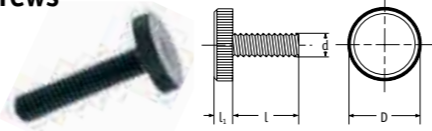


Part Number	Dimensions (mm)				Standard Pack Quantity
	d	D	l	l1	
0140230000VR	M4 x 0.7	16.0	25.0	3.4	1000
0140240000VR	M4 x 0.7	16.0	30.0	3.4	1000
0140250000VR	M4 x 0.7	16.0	40.0	3.4	1000
0140320000VR	M5 x 0.8	16.0	15.0	3.4	1000
0140330000VR	M5 x 0.8	16.0	20.0	3.4	1000
0140340000VR	M5 x 0.8	16.0	25.0	3.4	1000
0140350000VR	M5 x 0.8	16.0	30.0	3.4	1000
0140360000VR	M5 x 0.8	16.0	40.0	3.4	1000
0140390000VR	M6 x 1.0	16.0	6.5	3.4	1000
0140410000VR	M6 x 1.0	16.0	8.0	3.4	1000
0140420000VR	M6 x 1.0	16.0	10.0	3.4	1000
0140430000VR	M6 x 1.0	16.0	12.0	3.4	1000
0140450000VR	M6 x 1.0	16.0	16.0	3.4	1000
0140460000VR	M6 x 1.0	16.0	20.0	3.4	1000
0140470000VR	M6 x 1.0	16.0	22.0	3.4	1000
0140480000VR	M6 x 1.0	16.0	25.0	3.4	1000
0140500000VR	M6 x 1.0	16.0	30.0	3.4	1000
0140650000VR	M8 x 1.25	16.0	10.0	3.4	1000
0140680000VR	M8 x 1.25	16.0	16.0	3.4	1000
0140690000VR	M8 x 1.25	16.0	20.0	3.4	1000
0140700000VR	M8 x 1.25	16.0	25.0	3.4	1000
0140710000VR	M8 x 1.25	16.0	30.0	3.4	1000
0140720000VR	M8 x 1.25	16.0	35.0	3.4	1000
0141850000VR	M10 x 1.5	16.0	16.0	3.4	500
0140860000VR	M10 x 1.5	16.0	20.0	3.4	500
0140880000VR	M10 x 1.5	16.0	30.0	3.4	500
0400230000VR	M4 x 0.7	30.0	25.0	5.0	1000
0400410000VR	M6 x 1.0	30.0	8.0	5.0	1000
0400420000VR	M6 x 1.0	30.0	10.0	5.0	1000
0400450000VR	M6 x 1.0	30.0	16.0	5.0	1000
0400470000VR	M6 x 1.0	30.0	22.0	5.0	1000
0400480000VR	M6 x 1.0	30.0	25.0	5.0	1000
0400500000VR	M6 x 1.0	30.0	30.0	5.0	1000
0400650000VR	M8 x 1.25	30.0	10.0	5.0	1000
0400680000VR	M8 x 1.25	30.0	16.0	5.0	1000
0400690000VR	M8 x 1.25	30.0	20.0	5.0	1000
0400700000VR	M8 x 1.25	30.0	25.0	5.0	1000
0400710000VR	M8 x 1.25	30.0	30.0	5.0	1000
0400720000VR	M8 x 1.25	30.0	35.0	5.0	1000
0401850000VR	M10 x 1.5	30.0	16.0	5.0	500
0400860000VR	M10 x 1.5	30.0	20.0	5.0	1000
0400880000VR	M10 x 1.5	30.0	30.0	5.0	1000

Black Thumb Screws

Black Thumb Screws

SR 1976
Black Nylon 6.6

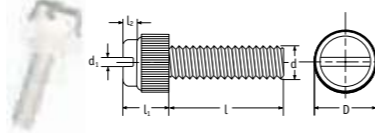


Part Number	Dimensions (mm)				Standard Pack Quantity
	d	D	l	l1	
0140230001VR	M4 x 0.7	16.0	25.0	3.4	100
0140240001VR	M4 x 0.7	16.0	30.0	3.4	100
0140250001VR	M4 x 0.7	16.0	40.0	3.4	100
0140320001VR	M5 x 0.8	16.0	15.0	3.4	100
0140330001VR	M5 x 0.8	16.0	20.0	3.4	100
0140340001VR	M5 x 0.8	16.0	25.0	3.4	100
0140350001VR	M5 x 0.8	16.0	30.0	3.4	100
0140360001VR	M5 x 0.8	16.0	40.0	3.4	100
0140390001VR	M6 x 1.0	16.0	6.5	3.4	100
0140410001VR	M6 x 1.0	16.0	8.0	3.4	100
0140420001VR	M6 x 1.0	16.0	10.0	3.4	100
0140430001VR	M6 x 1.0	16.0	12.0	3.4	100
0140450001VR	M6 x 1.0	16.0	16.0	3.4	100
0140460001VR	M6 x 1.0	16.0	20.0	3.4	100
0140470001VR	M6 x 1.0	16.0	22.0	3.4	100
0140480001VR	M6 x 1.0	16.0	25.0	3.4	100
0140500001VR	M6 x 1.0	16.0	30.0	3.4	100

Slotted Thumb Screws

Slotted Thumb Screws

SR 1977
Natural Nylon 6.6

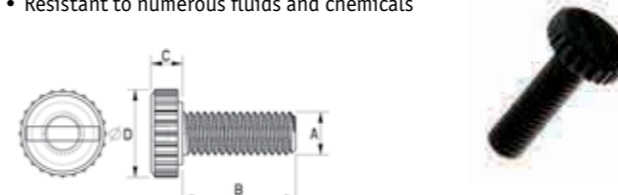


Part Number	Dimensions (mm)						Standard Pack Quantity
	d	l	D	l1	d1	l2	
0330000000VR	M3 x 0.5	4.0	8.1	5.5	1.0	1.1	1000
0330010000VR	M3 x 0.5	5.0	8.1	5.5	1.0	1.1	1000
0330020000VR	M3 x 0.5	6.0	8.1	5.5	1.0	1.1	1000
0330030000VR	M3 x 0.5	8.0	8.1	5.5	1.0	1.1	1000
0330040000VR	M3 x 0.5	10.0	8.1	5.5	1.0	1.1	1000
0330050000VR	M3 x 0.5	12.0	8.1	5.5	1.0	1.1	1000
0330060000VR	M3 x 0.5	16.0	8.1	5.5	1.0	1.1	1000
0330070000VR	M3 x 0.5	20.0	8.1	5.5	1.0	1.1	1000
0330080000VR	M3 x 0.5	25.0	8.1	5.5	1.0	1.1	1000
50M030050T030	M3 x 0.5	30.0	8.1	5.5	1.0	1.1	1000
0330130000VR	M4 x 0.7	6.0	10.5	8.1	1.4	1.7	1000
0330140000VR	M4 x 0.7	8.0	10.5	8.1	1.4	1.7	1000
0330150000VR	M4 x 0.7	10.0	10.5	8.1	1.4	1.7	1000
0330160000VR	M4 x 0.7	12.0	10.5	8.1	1.4	1.7	1000
0330170000VR	M4 x 0.7	16.0	10.5	8.1	1.4	1.7	1000
0330180000VR	M4 x 0.7	20.0	10.5	8.1	1.4	1.7	1000
0330190000VR	M4 x 0.7	25.0	10.5	8.1	1.4	1.7	1000
0330200000VR	M4 x 0.7	30.0	10.5	8.1	1.4	1.7	1000
50M040070T035	M4 x 0.7	35.0	10.5	8.1	1.4	1.7	1000
0330220000VR	M4 x 0.7	40.0	10.5	8.1	1.4	1.7	1000
0330240000VR	M5 x 0.8	8.0	10.5	8.1	1.4	1.7	1000
0330250000VR	M5 x 0.8	10.0	10.5	8.1	1.4	1.7	1000
0330260000VR	M5 x 0.8	12.0	10.5	8.1	1.4	1.7	1000
0330270000VR	M5 x 0.8	16.0	10.5	8.1	1.4	1.7	1000
0330280000VR	M5 x 0.8	20.0	10.5	8.1	1.4	1.7	1000
0330300000VR	M5 x 0.8	30.0	10.5	8.1	1.4	1.7	1000
0330310000VR	M5 x 0.8	40.0	10.5	8.1	1.4	1.7	1000
0330340000VR	M6 x 1.0	10.0	12.3	8.3	1.5	2.2	1000
0330350000VR	M6 x 1.0	12.0	12.3	8.3	1.5	2.2	1000
0330360000VR	M6 x 1.0	16.0	12.3	8.3	1.5	2.2	1000
0330370000VR	M6 x 1.0	20.0	12.3	8.3	1.5	2.2	1000
0330390000VR	M6 x 1.0	25.0	12.3	8.3	1.5	2.2	1000
0330500000VR	M6 x 1.0	30.0	12.3	8.3	1.5	2.2	1000
50M060100T040	M6 x 1.0	40.0	12.3	8.3	1.5	2.2	1000
50M060100T045	M6 x 1.0	45.0	12.3	8.3	1.5	2.2	1000
50M060100T050	M6 x 1.0	50.0	12.3	8.3	1.5	2.2	500

Knurled Screw

Knurled Screw

SR 5741
Nylon and 30% Glass Fibre
• Knurled Head for extra grip
• Resistant to numerous fluids and chemicals

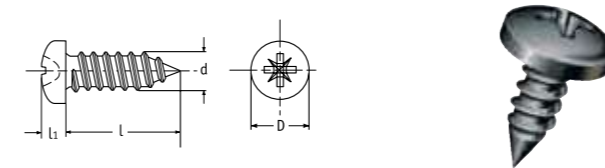


Part Number	Dimensions (mm)				Standard Pack Quantity
	A	B	C	D	
140040669916	M4	6	4.0	13	100
140041069916	M4	10	4.0	13	100
140041569916	M4	15	4.0	13	100
140042069916	M4	20	4.0	13	100
140051069916	M5	10	4.0	13	100
140051569916	M5	15	4.0	13	100
140052069916	M5	20	4.0	13	100
140061069916	M6	10	4.0	13	100
140061369916	M6	13	4.0	13	100
140061569916	M6	15	4.0	13	100
140062069916	M6	20	4.0	13	100

Crossed Pan Head Tapping Screws

Crossed Pan Head Tapping Screws

SR 1983
Black Polyptalamide 45% Glass Filled
• Refer to standard NF E 25-658 for guidance purposes only

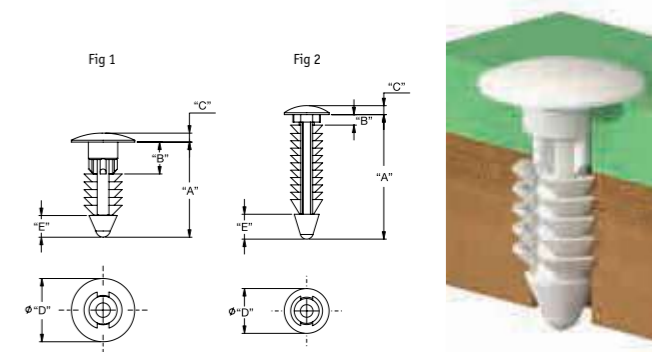


Part Number	Dimensions (mm)				Standard Pack Quantity
	d	l	D	l1	
6580111301VR	3.5	6.5	8.0	3.1	1000
6580121301VR	3.5	9.5	8.0	3.1	1000
6580131301VR	3.5	13.0	8.0	3.1	1000
6580141301VR	3.5	16.0	8.0	3.1	1000
6580181301VR	4.2	9.5	8.0	3.1	1000
6580191301VR	4.2	13.0	8.0	3.1	1000
6580201301VR	4.2	16.0	8.0	3.1	1000
6580251301VR	4.8	9.5	9.5	3.7	1000
6580261301VR	4.8	13.0	9.5	3.7	1000
6580271301VR	4.8	16.0	9.5	3.7	1000
6580281301VR	4.8	19.0	9.5	3.7	1000
6580291301VR	4.8	22.0	9.5	3.7	1000
6580321301VR	4.5	39.7	9.3	3.5	1000
6580351301VR	5.5	19.0	9.5	3.7	1000
6580411301VR	6.3	16.0	12.0	4.6	1000
6580421301VR	6.3	19.0	12.0	4.6	1000
6580441301VR	6.3	25.0	12.0	4.6	1000
6580551301VR	8.0	50.0	16.0	6.0	500
6580701301VR	9.5	60.0	20.0	7.5	500

Pawl Lock

Pawl Lock

SR 2303
PL
Material: Nylon 6/6, RMS-01

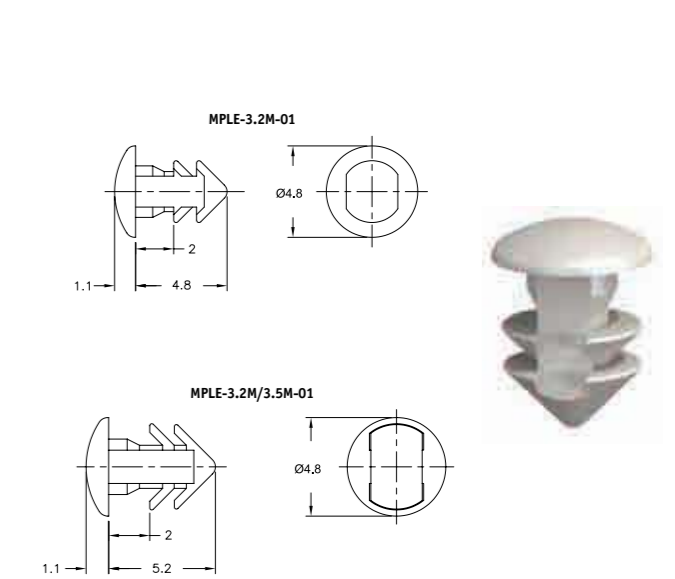


Colour: Natural	Colour: Black	Dimensions (mm)					Hole Size	Fig.	Standard Pack Quantity
		A	B	C	D	E			
PL-250-10-01	PL-250-10-01BK	15.4	3.2	2.0	12.7	4.1	6.35	1	1000
PL-250-12-01	PL-250-12-01BK	19.1	6.7	1.8	12.7	4.1	6.35	1	1000
PL-250-20-01	PL-250-20-01BK	25	2.1	1.8	9.0	5.0	5.5	2	1000

Mini Pawl Locks

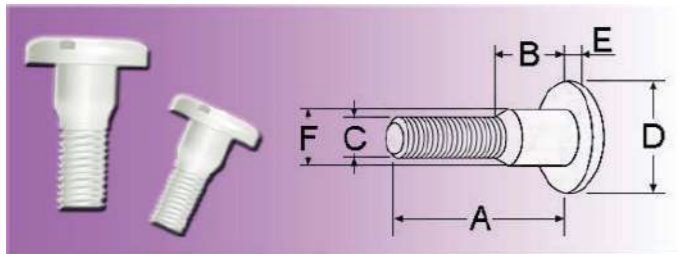
Mini Pawl Locks

SR 2304
MPLE
Material: UL94 V2 Nylon 6/6
Material: UL94 V0 Nylon 6/6



Colour: Natural RMS-01	Colour: Black RMS-01	Colour: Natural RMS-19	Hole Ø	Total Holding Thickness	Standard Pack Quantity
MPL-3.2M-01	MPL-3.2M-01BK	MPL-3.2M-19	3.2	1.85 Max	1000
MPL-3.2M/3.5M-01	MPL-3.2M/3.5MBK	MPL-3.2M/3.5M-19	3.2-3.5	1.85 Max	1000

Screws without DIN of plastic | Binding screws



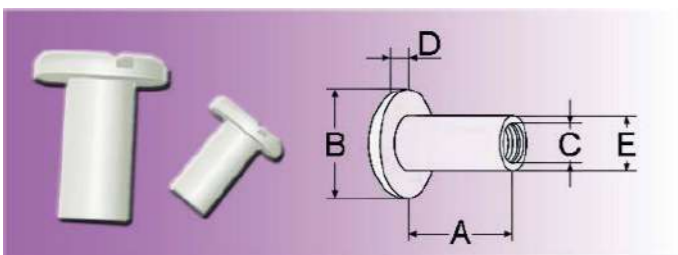
Suitable for the connection of pattern books, colour fans etc.
To be used with appropriate female part of series 081, page 298.

Material: PA 6
Colours:
Last digits 500 = white
Last digits 599 = black

Part no.	A	B	C	D	E	F
0820410500	10,0	-	M4	12,0	2,5	6,0
0820410599	10,0	-	M4	12,0	2,5	6,0
0820510500	10,0	-	M5	14,0	2,5	7,0
0820510599	10,0	-	M5	14,0	2,5	7,0
0820515500	15,0	5,0	M5	14,0	2,5	7,0
0820515599	15,0	5,0	M5	14,0	2,5	7,0
0820520500	20,0	10,0	M5	14,0	2,5	7,0
0820520599	20,0	10,0	M5	14,0	2,5	7,0
0820526500	25,0	15,0	M5	14,0	2,5	7,0
0820526599	25,0	15,0	M5	14,0	2,5	7,0
0820530500	30,0	20,0	M5	14,0	2,5	7,0
0820530599	30,0	20,0	M5	14,0	2,5	7,0
0820540500	40,0	30,0	M5	14,0	2,5	7,0
0820540599	40,0	30,0	M5	14,0	2,5	7,0

Part no.	A	B	C	D	E	F
0820610500	10,0	-	M6	16,0	3,0	8,0
0820610599	10,0	-	M6	16,0	3,0	8,0
0820618500	18,0	8,0	M6	16,0	3,0	8,0
0820618599	18,0	8,0	M6	16,0	3,0	8,0
0820625500	25,0	8,0	M6	16,0	3,0	8,0
0820625599	25,0	8,0	M6	16,0	3,0	8,0
0820630500	30,0	8,0	M6	16,0	3,0	8,0
0820630599	30,0	8,0	M6	16,0	3,0	8,0
0820636500	36,0	8,0	M6	16,0	3,0	8,0
0820636599	36,0	8,0	M6	16,0	3,0	8,0
0820639500	39,0	8,0	M6	16,0	3,0	8,0
0820639599	39,0	8,0	M6	16,0	3,0	8,0
0820648500	48,0	8,0	M6	16,0	3,0	8,0
0820648599	48,0	8,0	M6	16,0	3,0	8,0

Nuts without DIN of plastic | Book screw nuts



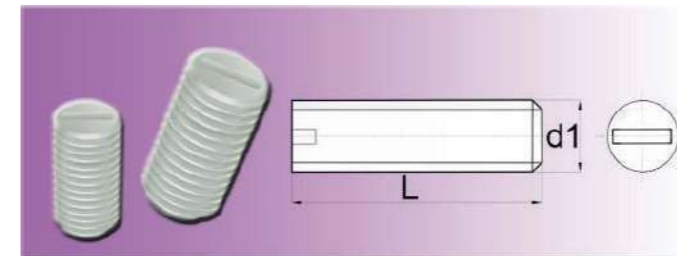
Suitable for screwing of sample books, colour fans etc.
To be used with adequate male part of series 082, page 296.

Material: PA 6
Colours:
Last digits 500 = white
Last digits 599 = black

Part no.	A	B	C	D	E
0810410500	10,0	12,0	M4	2,2	6,0
0810410599	10,0	12,0	M4	2,2	6,0
0810415500	15,0	12,0	M4	2,2	6,0
0810415599	15,0	12,0	M4	2,2	6,0
0810420500	20,0	12,0	M4	2,2	6,0
0810420599	20,0	12,0	M4	2,2	6,0
0810425500	25,0	12,0	M4	2,2	6,0
0810425599	25,0	12,0	M4	2,2	6,0

Part no.	A	B	C	D	E
0810430500	30,0	12,0	M4	2,2	6,0
0810430599	30,0	12,0	M4	2,2	6,0
0810510500	10,0	14,0	M5	2,5	7,0
0810510599	10,0	14,0	M5	2,5	7,0
0810610500	10,0	16,0	M6	3,0	8,0
0810610599	no longer available!				
0810616500	no longer available!				
0810616599	16,0	16,0	M6	3,0	8,0

Threaded pins/bars according to DIN | Threaded pins ~DIN 551



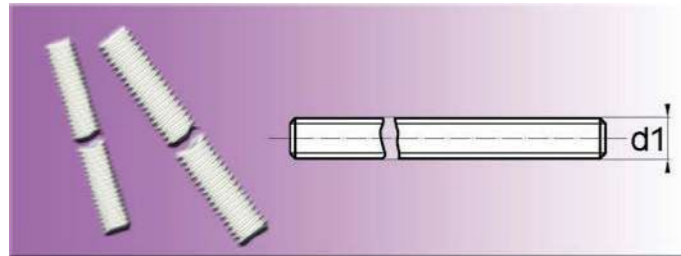
Threaded pins ~DIN 551 (~DIN EN ISO 24766)

Material: PA 6.6
Colour: natural
(* = version without cone point)

Further types on written request.

Part no.	d1 x L	Part no.	d1 x L	Part no.	d1 x L
0860308	M3 x 8,6	0860505	M5 x 5	0860825	M8 x 25
0860310	M3 x 10	0860506	M5 x 6	0860826	M8 x 26
0860311	M3 x 11	0860507	M5 x 7	0860827	M8 x 27
0860313	M3 x 13	0860508	M5 x 8	0860830	M8 x 30
0860315	M3 x 15	0860509	M5 x 9	0860835	M8 x 35
0860316	M3 x 16	0860510	M5 x 10	0860837	M8 x 37
0860317	M3 x 17	0860511	M5 x 11	0860860	M8 x 60
0860319	M3 x 19	0860512	M5 x 12	0860862	M8 x 62
0860321	M3 x 21	0860513	M5 x 13	0860867	M8 x 67
0860326	M3 x 26	0860515	M5 x 15	0860880	M8 x 80
0860331	M3 x 31	0860516	M5 x 16	0861005	M10 x 5
0860334	M3 x 34	0860517	M5 x 17	0861006	M10 x 6
0860335	M3 x 35	0860518	M5 x 18	0861007	M10 x 7
0860404	M4 x 4	0860521	M5 x 21	0861008	M10 x 8
0860405*	M4 x 5	0860526	M5 x 26	0861009	M10 x 9
0860406	M4 x 6	0860531	M5 x 31	0861010	M10 x 10
0860407	M4 x 7	0860536	M5 x 36	0861012	M10 x 12
0860408	M4 x 8	0860541	M5 x 41	0861013	M10 x 13
0860410	M4 x 10	0860550	M5 x 50	0861014	M10 x 14
0860411	M4 x 11	0860605	M6 x 5	0861016	M10 x 16
0860413	M4 x 13	0860606	M6 x 6	0861020	M10 x 20
0860415	M4 x 15	0860607	M6 x 7	0861021	M10 x 21
0860416	M4 x 16	0860608	M6 x 8	0861022	M10 x 22
0860417	M4 x 17	0860609	M6 x 9	0861026	M10 x 26
0860419	M4 x 19	0860610	M6 x 10	0861027	M10 x 27
0860420	M4 x 20	0860611	M6 x 11	0861036	M10 x 36
0860421	M4 x 21	0860612	M6 x 12	0861037	M10 x 37
0860425	M4 x 25	0860613	M6 x 13	0861052	M10 x 52
0860426	M4 x 26	0860615	M6 x 15	0861210	M12 x 10
0860429	M4 x 29	0860616	M6 x 16	0861212	M12 x 12
0860430	M4 x 30	0860617	M6 x 17	0861216	M12 x 16
0860431	M4 x 31	0860618	M6 x 18	0861221	M12 x 21
0860435	M4 x 35	0860621	M6 x 21	0861225	M12 x 25
0860440	M4 x 40	0860622	M6 x 22	0861230	M12 x 30

Threaded pins/bars according to DIN | Threaded bars ~DIN 975

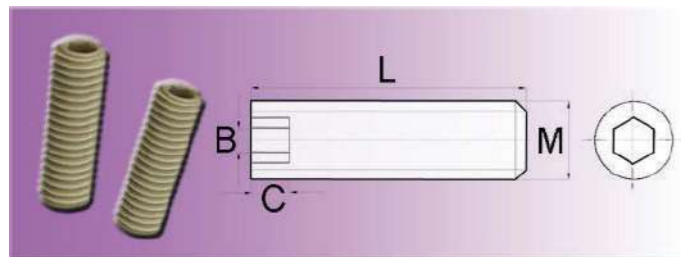


Threaded bars ~DIN 975
Standard length 1000 mm, further lengths on written request.

Material: PA 6
Colour: natural

Part no.	d1	Part no.	d1	Part no.	d1
9750030	M3	9750080	M8	9751600	M16
9750040	M4	9751000	M10	9751800	M18
9750050	M5	9751200	M12	9752000	M20
9750060	M6	9751400	M14	9752400	M24

Threaded pins/bars without DIN | Threaded pins with internal hexagon PEEK

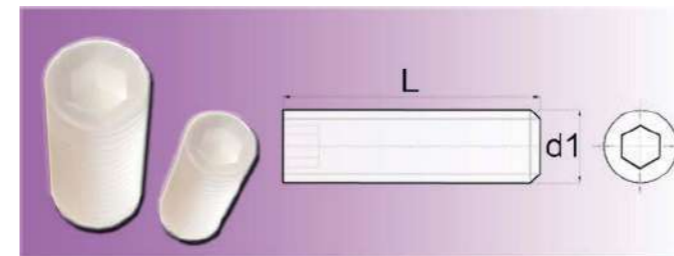


Material: PEEK
Colour: light brown

- Temperature: max. 180°C
- High-strength and excellent form stability
- High modulus of elasticity and excellent creep resistance
- Resistant to many chemicals
- Flammability rating: UL94 V0
- Further PEEK products: series 280 to series 285 and 302

Part no.	M x L	B x C	Part no.	M x L	B x C	Part no.	M x L	B x C
3860304	M3 x 4	1,5 x 2	3860420	M4 x 20	2 x 2,5	3860615	M6 x 15	3 x 3,5
3860306	M3 x 6	1,5 x 2	3860506	M5 x 6	2,5 x 3	3860620	M6 x 20	3 x 3,5
3860308	M3 x 8	1,5 x 2	3860508	M5 x 8	2,5 x 3	3860625	M6 x 25	3 x 3,5
3860310	M3 x 10	1,5 x 2	3860510	M5 x 10	2,5 x 3	3860810	M8 x 10	4 x 5
3860312	M3 x 12	1,5 x 2	3860512	M5 x 12	2,5 x 3	3860812	M8 x 12	4 x 5
3860315	M3 x 15	1,5 x 2	3860515	M5 x 15	2,5 x 3	3860815	M8 x 15	4 x 5
3860406	M4 x 6	2 x 2,5	3860520	M5 x 20	2,5 x 3	3860820	M8 x 20	4 x 5
3860408	M4 x 8	2 x 2,5	3860606	M6 x 6	3 x 3,5	3860825	M8 x 25	4 x 5
3860410	M4 x 10	2 x 2,5	3860608	M6 x 8	3 x 3,5	3860830	M8 x 30	4 x 5
3860412	M4 x 12	2 x 2,5	3860610	M6 x 10	3 x 3,5			
3860415	M4 x 15	2 x 2,5	3860612	M6 x 12	3 x 3,5			

Threaded pins/bars according to DIN | Threaded pins ~DIN 913



Threaded pins with internal hexagon ~DIN 913 (~DIN EN ISO 4026)

Minimum order quantity: 1,000 pcs. per order and dimension

Material: PA 6.6
Colour: natural

Part no.	d1 x L	Part no.	d1 x L	Part no.	d1 x L
2860505	M5 x 5	2860609	M6 x 9	2860807	M8 x 7
2860506	M5 x 6	2860610	M6 x 10	2860808	M8 x 8
2860507	M5 x 7	2860611	M6 x 11	2860809	M8 x 9
2860508	M5 x 8	2860612	M6 x 12	2860810	M8 x 10
2860509	M5 x 9	2860613	M6 x 13	2860811	M8 x 11
2860510	M5 x 10	2860615	M6 x 15	2860812	M8 x 12
2860511	M5 x 11	2860616	M6 x 16	2860813	M8 x 13
2860512	M5 x 12	2860617	M6 x 17	2860814	M8 x 14
2860513	M5 x 13	2860618	M6 x 18	2860815	M8 x 15
2860515	M5 x 15	2860620	M6 x 20	2860816	M8 x 16
2860516	M5 x 16	2860621	M6 x 21	2860817	M8 x 17
2860517	M5 x 17	2860622	M6 x 22	2860818	M8 x 18
2860518	M5 x 18	2860625	M6 x 25	2860819	M8 x 19
2860521	M5 x 21	2860626	M6 x 26	2860820	M8 x 20
2860526	M5 x 26	2860630	M6 x 30	2860822	M8 x 22
2860531	M5 x 30	2860631	M6 x 31	2860825	M8 x 25
2860536	M5 x 36	2860632	M6 x 32	2860826	M8 x 26
2860541	M5 x 41	2860636	M6 x 36	2860827	M8 x 27
2860546	M5 x 46	2860641	M6 x 41	2860842	M8 x 42
2860551	M5 x 51	2860646	M6 x 46	2860847	M8 x 47
2860605	M6 x 5	2860651	M6 x 51	2860851	M8 x 51
2860606	M6 x 6	2860656	M6 x 56	2860852	M8 x 52
2860607	M6 x 7	2860805	M8 x 5	2860862	M8 x 62
2860608	M6 x 8	2860806	M8 x 6	2860867	M8 x 65