

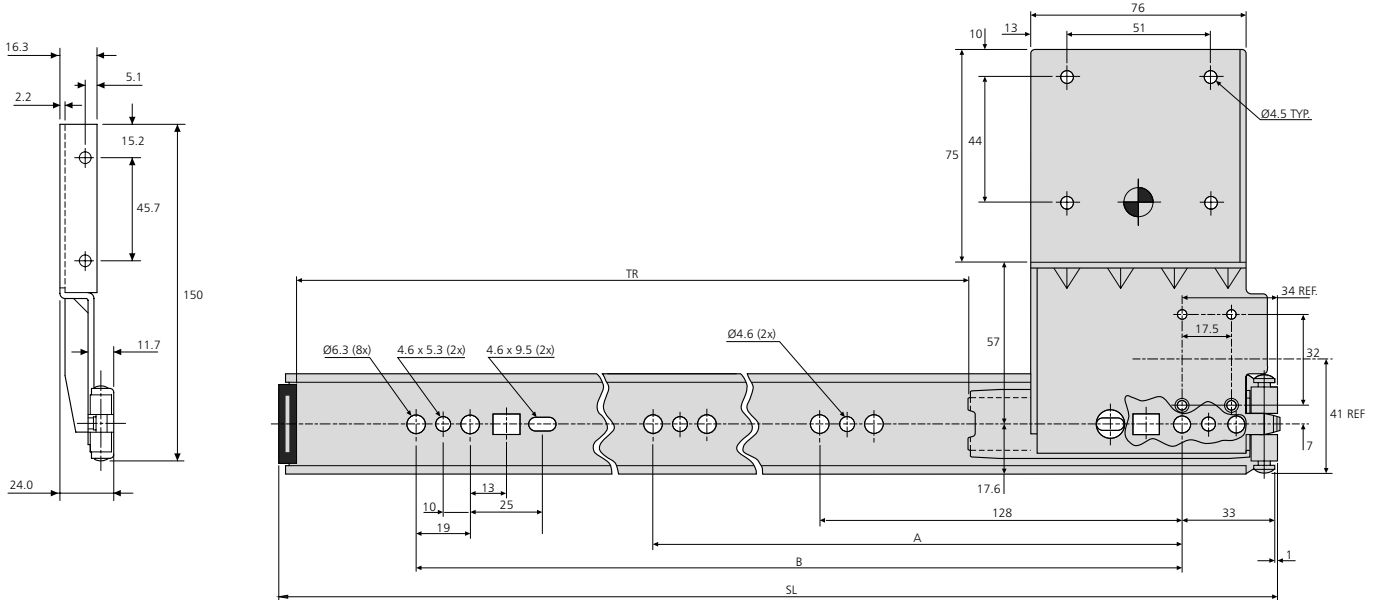


| Model | Load kg | Max door height mm | Wood thickness mm | Inset / Overlay | Page |
|---|---------|---------------------|-------------------|--|------------|
| Schienennummer | Last kg | Maximale Türhöhe mm | Holzstärke mm | Innenliegende (Türen) / vorliegende | Seite |
| 1234 | 14.0 | 1100 | 16-32 | Inset or partial overlay / Innenliegende (Türen) [OR] Teilweise vorliegende (Türen) | 152 |
| 1312 | 5.5 | 900 | 16-24 | Inset / Innenliegende (Türen) | 153 |
| 1316/1319 | 25.0 | 2300 | 16-20 | Inset / Innenliegende (Türen) | 155 |
| 1319 | 5.5 | 700 | 16-20 | Inset / Innenliegende (Türen) | 158 |
| 1321 | 14.0 | 1065 | 19-38 | Inset or full overlay / Innenliegende (Türen) [OR] Komplett vorliegende (Türen) | 160 |
| 1432 | 34.0 | 2300 | 19-32 | Inset or partial overlay / Innenliegende (Türen) [OR] Teilweise vorliegende (Türen) | 162 |
| Hinge recommendations / Empfohlene Scharniere | | | | | 164 |

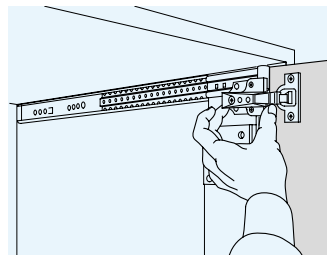
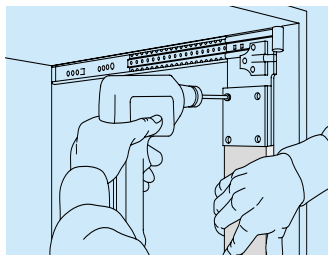
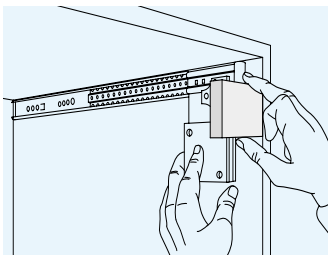
- Maximum door weight 14kg
- Installs in 3 easy steps
- Vertical or horizontal use
- Temperature -20°C to +70°C
- DB - 96 hours salt spray test

80,000

- Maximales Türgewicht 14kg
- In 3 einfachen Schritten eingebaut
- Vertikaler oder horizontaler Einsatz
- Temperatur -20°C bis +70°C
- DB - 96 Stunden Salzsprühtest



| 1234 | mm | | | | kg |
|---------------|-----|-----|-----|-----|------|
| | SL | TR | A | B | W |
| DB1234-0035-2 | 354 | 239 | - | 224 | 1.03 |
| DB1234-0040-2 | 405 | 289 | - | 320 | 1.09 |
| DB1234-0045-2 | 456 | 340 | - | 352 | 1.15 |
| DB1234-0050-2 | 506 | 391 | - | 416 | 1.22 |
| DB1234-0055-2 | 557 | 442 | 352 | 480 | 1.27 |
| DB1234-0060-2 | 608 | 493 | 352 | 480 | 1.35 |



Notes:

- Doors 1100mm high x 610mm wide (maximum)
- Wood thickness should be 16-32mm
- Hinges, base plates and follower strip not supplied
- Follower strip must be used (not supplied). Oak or hard maple recommended
- Refer to "Hinge recommendations" at the end of this section
- Fixing recommendation: 4mm wood screw (supplied)/6mm Euro screw

Hinweise:

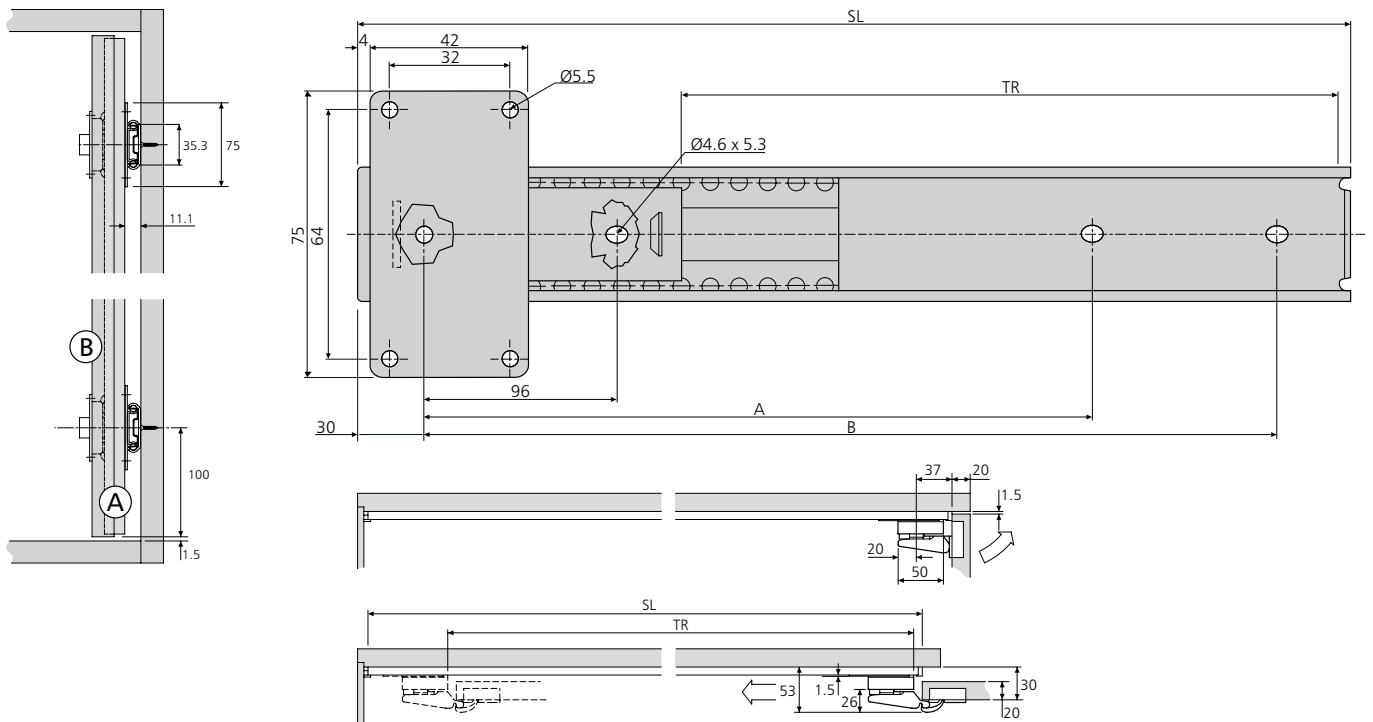
- Türen 1100mm hoch x 610mm breit (max.)
- Holzstärke sollte 16mm-32mm sein
- Scharniere, Grundplatten und Traverse nicht mitgeliefert
- Traverse muss benutzt werden. Eiche oder Buche empfohlen
- ‚Empfohlene Scharniere‘ siehe Ende dieses Abschnitts
- Empfohlene Befestigung: Holzschraube 4mm (mitgeliefert)/Euro-Schraube 6mm

- Maximum door weight 5.5kg
- Vertical or horizontal use
- Temperature -20°C to +70°C
- DZ - 12 hours salt spray test

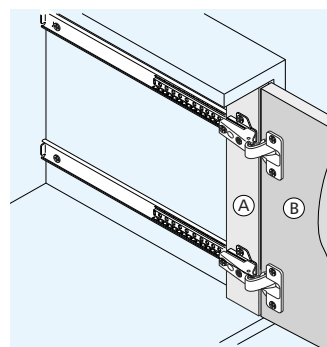
50,000

Notes:

- Wood thickness should be 16-24mm
- Maximum door height 900mm
- Hinges, base plates and follower strip not supplied
- Follower strip must be used (not supplied). Oak or hard maple recommended
- Refer to "Hinge recommendations" at the end of this section
- Door supports are required when slides are installed horizontally
- Fixing recommendation: 4mm wood screw A= Follower strip, B= Door



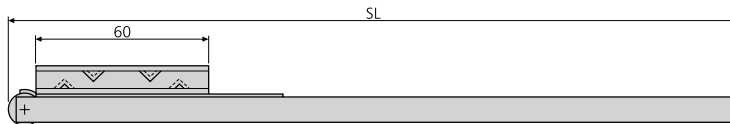
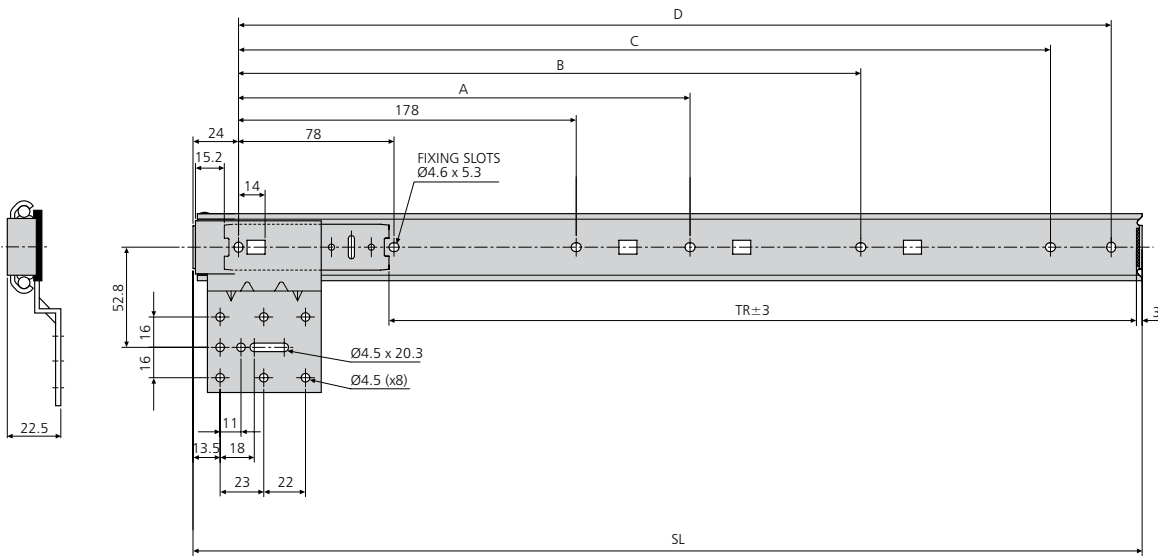
| 1312 | mm | | | | kg |
|-------------|-----|-----|-----|-----|------|
| | SL | TR | A | B | W |
| DZ1312-0035 | 350 | 257 | 192 | 288 | 0.58 |
| DZ1312-0040 | 400 | 307 | 224 | 320 | 0.66 |
| DZ1312-0045 | 450 | 357 | 256 | 352 | 0.72 |
| DZ1312-0050 | 50 | 407 | 352 | 448 | 0.78 |
| DZ1312-0055 | 550 | 457 | 352 | 448 | 0.84 |
| DZ1312-0060 | 600 | 502 | 448 | 544 | 0.90 |



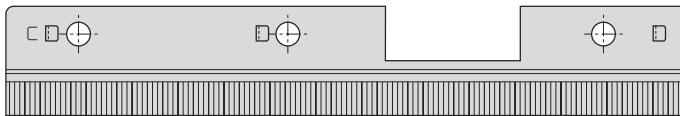
- Anti-Racking mechanism for 1319 slide
- Maximum door weight 25kg
- Synchronised movement
- Not suitable for flat mounting
- Temperature -20°C to +70°C
- DZ - 12 hours salt spray test



- Anti-Racking Mechanismus für Schiene 1319
- Maximales Türgewicht 25kg
- Synchronen Schienenlauf
- Nicht für Flachmontage geeignet
- Temperatur -20°C bis +70°C
- DZ - 12 Stunden Salzsprühtest



DZ1319



DZ1316

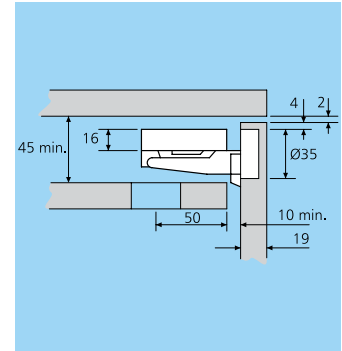
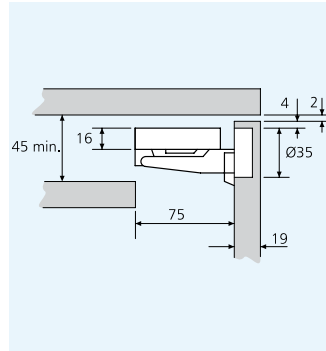
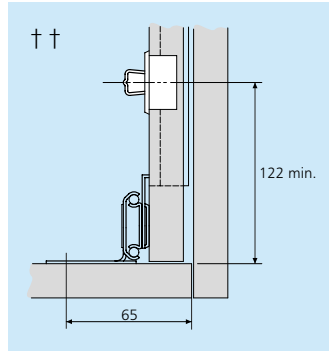
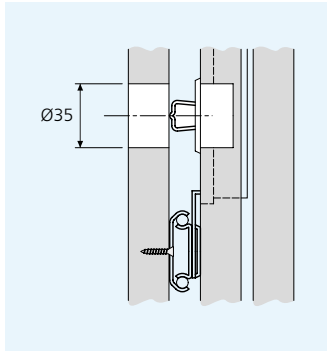


DZ61040/DZ61050

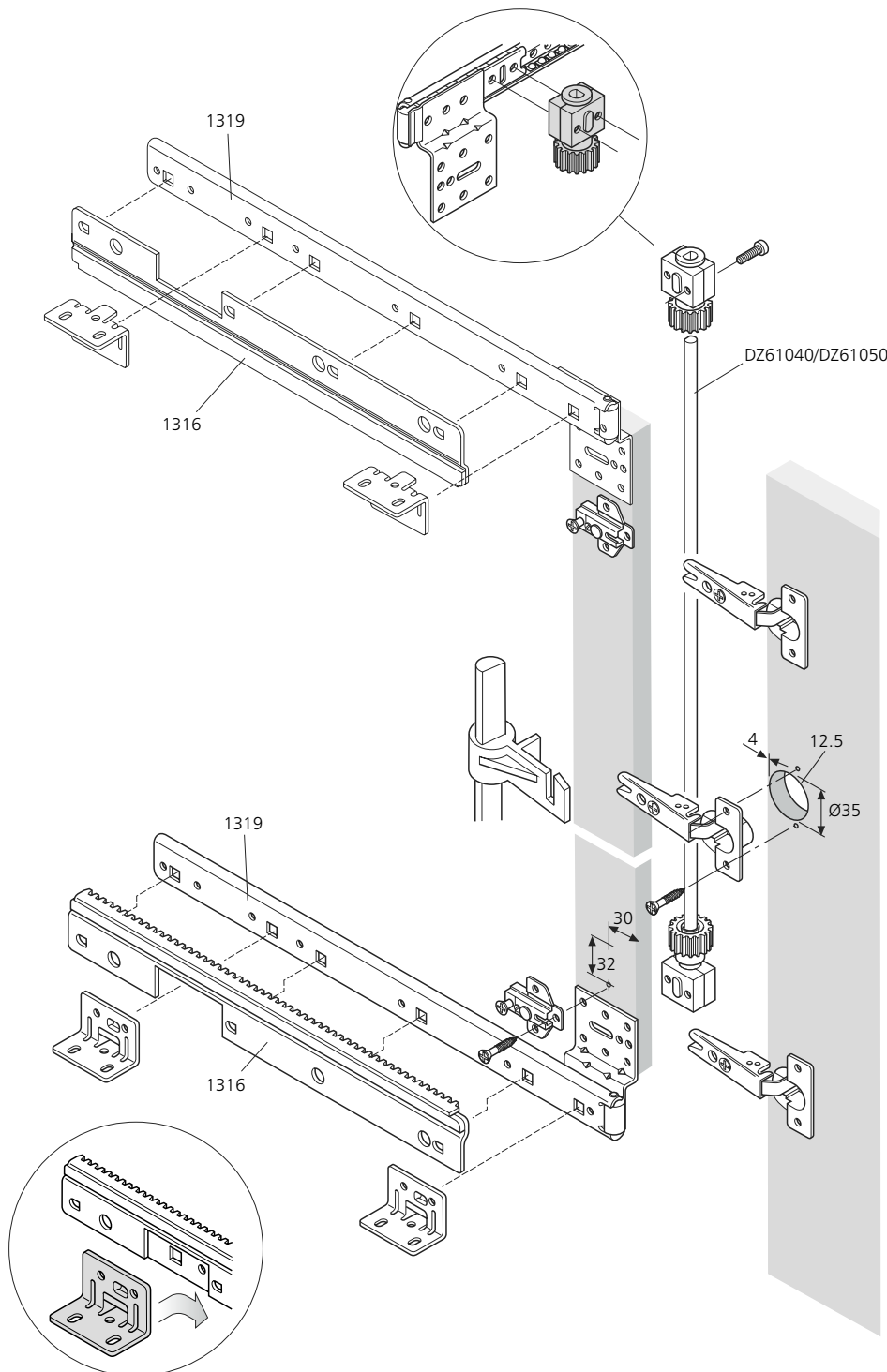
| 1316 † | DZ1319 SL (mm) | W (kg) |
|-------------|----------------|--------|
| DZ1316-0035 | 350 | 0.49 |
| DZ1316-0040 | 400 | 0.55 |
| DZ1316-0045 | 450 | 0.66 |
| DZ1316-0050 | 500 | 0.74 |
| DZ1316-0055 | 550 | 0.83 |
| DZ1316-0060 | 600 | 0.92 |

| | mm | W |
|---------|------|------|
| DZ61040 | 2000 | 0.71 |
| DZ61050 | 2500 | 0.90 |

† 1316 – Anti-Racking mechanism for 1319 slide
1316 – Anti-Racking Mechanismus für Schiene 1319



†† Only when using more than 2 hinges



DZ1316 kit comprises:

- 2 x toothed rails, galvanised steel/white plastic
- 2 x pinions with screw mounts, white plastic
- Mounting screws, M4 x 25mm
- 1 rod support

DZ61040 kit comprises:

- 1 x profiled rod (2000mm), drawn steel, polished nickel-plated. Maximum door height 1800mm

DZ61050 kit comprises:

- 1 x profiled rod (2500mm), drawn steel, polished nickel-plated. Maximum door height 2300mm. Maximum horizontal door width 1200mm

Notes:

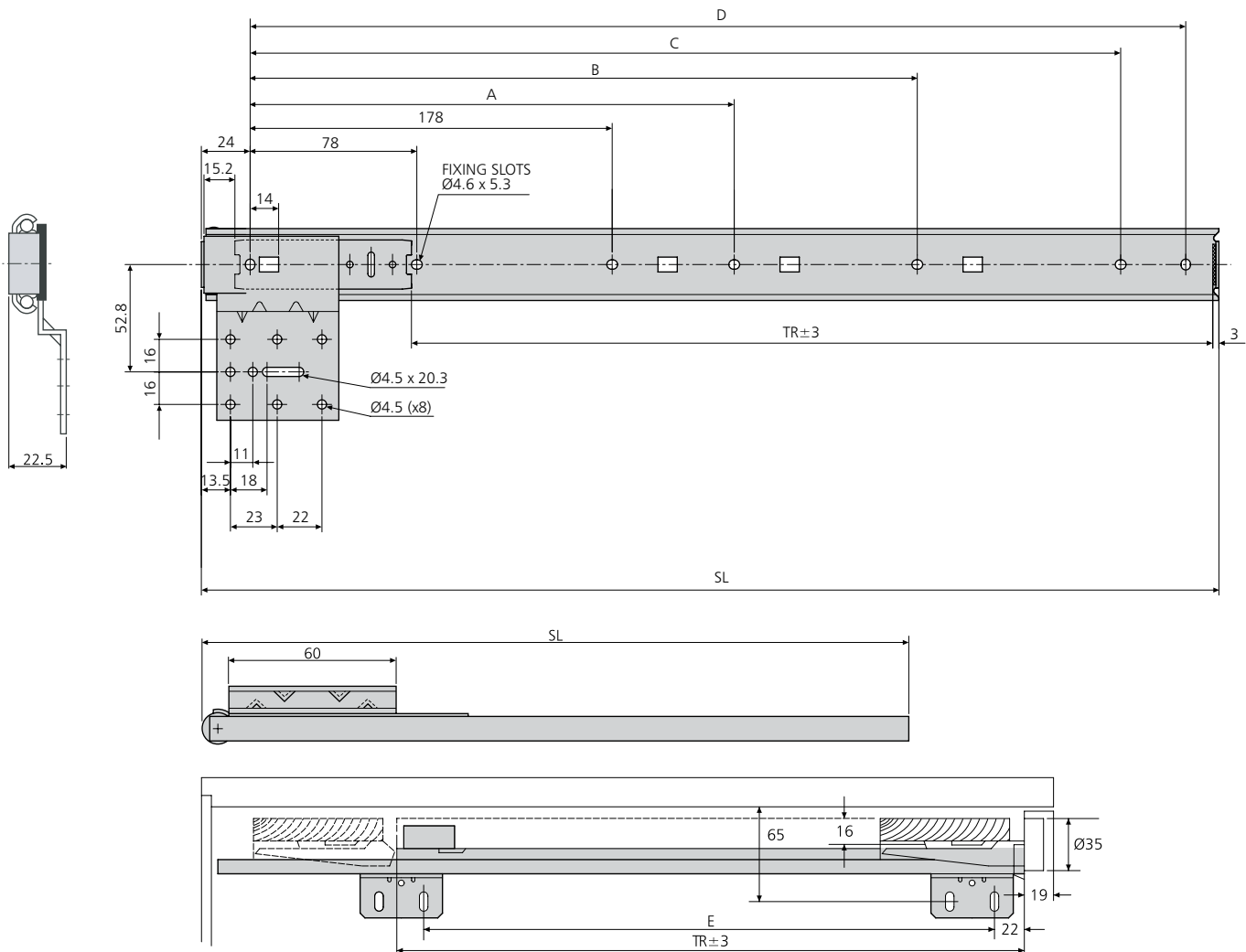
- Wood thickness should be 16-20mm
- Hinges, base plates and follower strip not supplied
- 2-5 hinges required on doors up to 2300mm
- Follower strip must be used (not supplied). Oak or hard maple recommended
- Refer to "Hinge recommendations" at the end of this section
- Fixing recommendation: 4mm wood screw/ 6mm Euro screw
- It is essential to order 1316 as an additional part number to 1319
- Connection rod ordered separately (DZ61040/DZ61050)
- Vertical (side) mounting only

- Maximum door weight 5.5kg
- Use with 1316 for synchronised movement and to increase door weight and size
- Vertical or horizontal use
- Temperature -20°C to +70°C
- DZ - 12 hours salt spray test

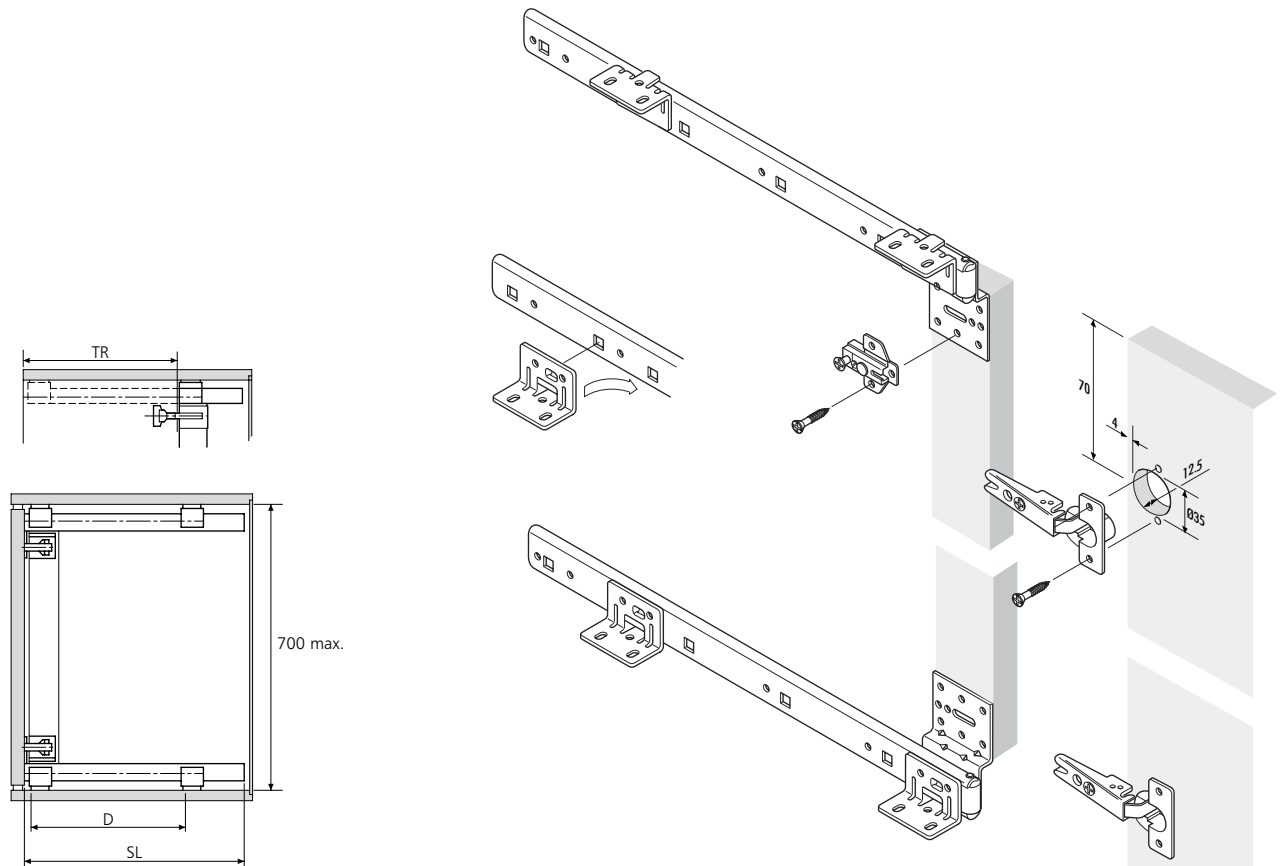
- Maximales Türgewicht 5,5kg
- In Verbindung mit 1316 synchronisierte Bewegung für schwere und grössere Türen
- Vertikaler oder horizontaler Einsatz
- Temperatur -20°C bis +70°C
- DZ - 12 Stunden Salzsprühstest



50,000



| 1319 | mm | | | | | | | kg |
|---------------|-----|-----|-----|-----|-----|-----|-----|------|
| | SL | TR | A | B | C | D | E | W |
| DZ1319-0035-2 | 350 | 244 | - | 278 | 310 | - | 186 | 0.77 |
| DZ1319-0040-2 | 400 | 294 | 228 | 38 | 360 | - | 236 | 0.84 |
| DZ1319-0045-2 | 450 | 344 | 278 | 378 | 410 | - | 286 | 0.89 |
| DZ1319-0050-2 | 500 | 394 | 328 | 428 | 460 | - | 366 | 0.96 |
| DZ1319-0055-2 | 550 | 444 | 38 | 478 | 510 | - | 386 | 1.04 |
| DZ1319-0060-2 | 600 | 494 | 278 | 428 | 528 | 560 | 436 | 1.09 |



Notes:

- Wood thickness should be 16-20mm
- Maximum door height 700mm
- Hinges, base plates and follower strip not supplied
- Follower strip must be used (not supplied). Oak or hard maple recommended
- Refer to "Hinge recommendations" at the end of this section
- Fixing recommendation: 4mm wood screw

Hinweise:

- Holzstärke sollte 16-20mm betragen
- Maximale Türenhöhe 700mm
- Scharniere, Grundplatten und Traverse nicht mitgeliefert
- Traverse muss benutzt werden. Eiche oder Buche empfohlen
- ‚Empfohlene Scharniere‘ siehe Ende dieses Abschnitts
- Empfohlene Befestigung: Holzschraube 4mm

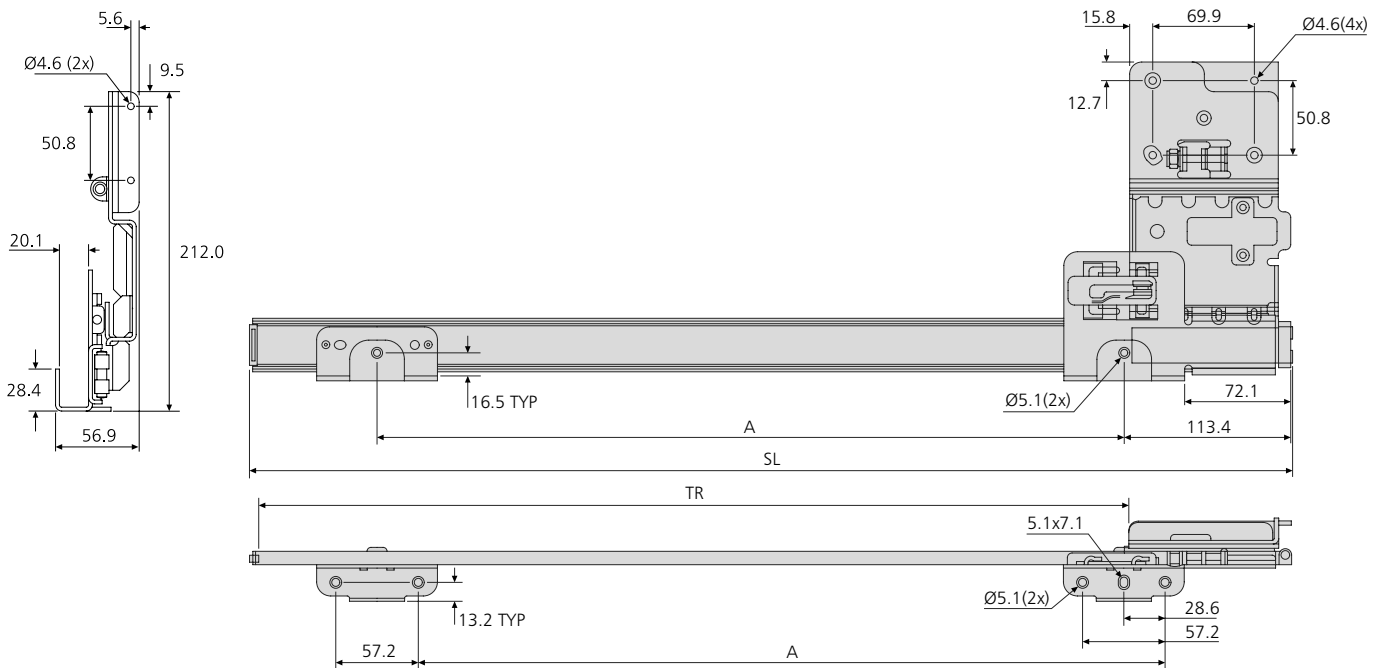
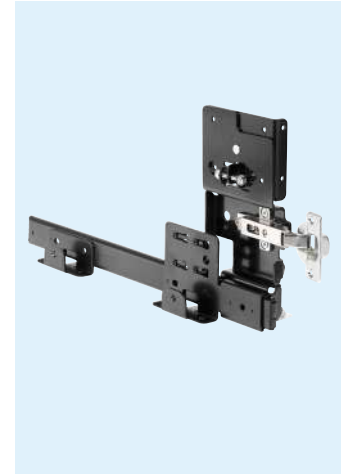
- Full overlay on 19.1mm side panels
- Maximum door weight 14kg
- Auto-open mechanism pushes doors open the last 32mm of travel
- Anti-sag adjustment
- Not suitable for flat mounting
- Temperature -20°C to +70°C
- DB - 96 hours salt spray test

20,000

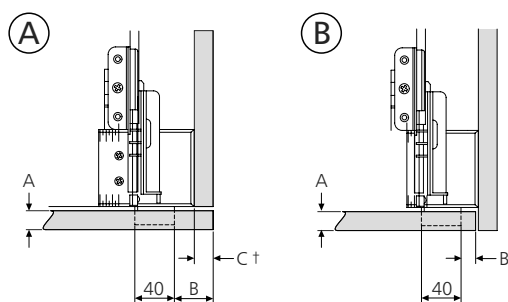
Notes:

- Load ratings for this product are based on a 20,000 cycle dynamic test
- Door thickness should be 19-38mm
- Vertical doors 1065 high x 610mm wide (maximum)
- Hinges (40mm), base plate, skid blocks, cover and mounting screws included
- Follower strip must be used (not supplied). Oak or hard maple recommended, 102mm wide
- Vertical (side) mounting only

† Maximum overlay



| 1321 | mm | | | kg |
|---------------|-----|-----|-------|------|
| | SL | TR | A | W |
| DB1321-0040-2 | 405 | 290 | 203.2 | 3.00 |
| DB1321-0045-2 | 456 | 340 | 254.0 | 3.11 |
| DB1321-0050-2 | 506 | 391 | 304.8 | 3.17 |
| DB1321-0055-2 | 557 | 442 | 355.6 | 3.23 |
| DB1321-0060-2 | 608 | 493 | 406.2 | 3.30 |
| DB1321-0065-2 | 659 | 544 | 457.2 | 3.38 |
| DB1321-0070-2 | 710 | 594 | 508.0 | 3.43 |



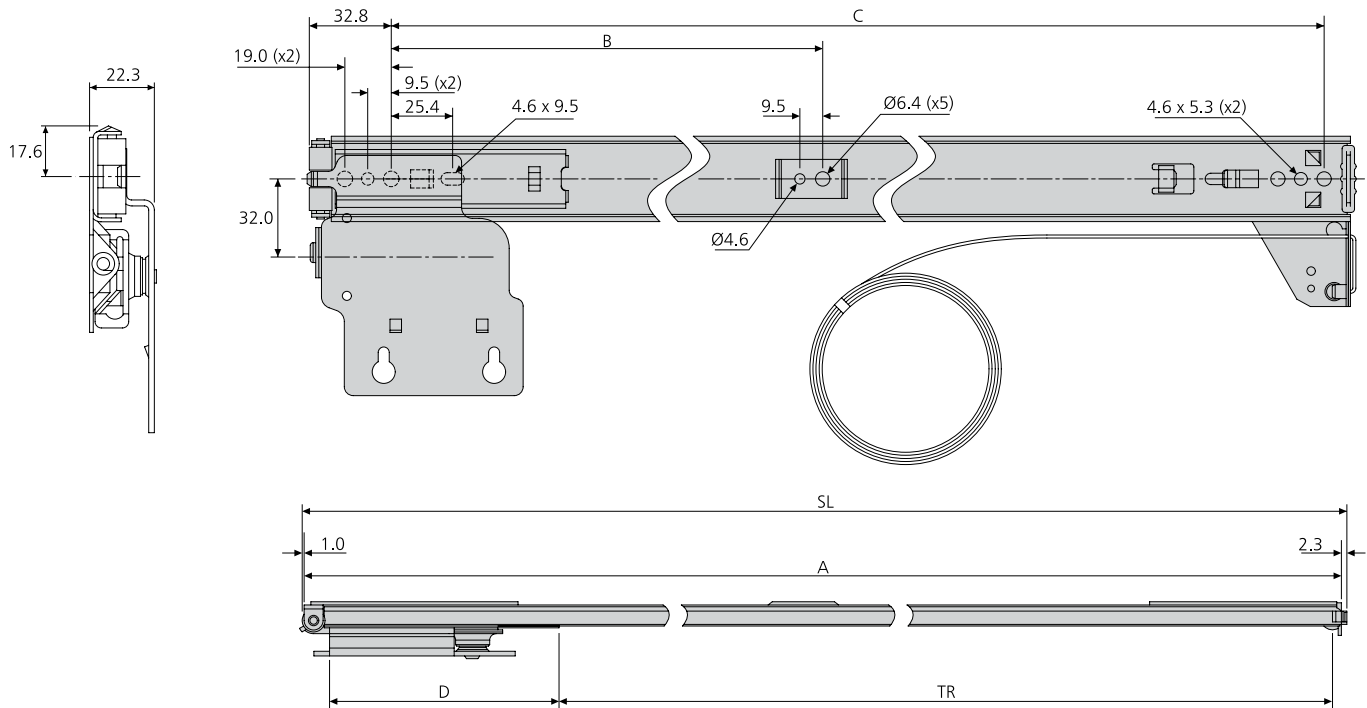
| 1321 | | A | B | C |
|------|------|------|------|------|
| A | 40mm | 19.1 | 12.7 | 19.1 |
| | 40mm | 22.2 | 12.7 | 15.9 |
| | 40mm | 25.4 | 12.7 | 12.7 |
| | 40mm | 31.8 | 12.7 | 6.4 |
| B | 40mm | 19.1 | 9.5 | - |
| | 40mm | 22.2 | 9.5 | - |
| | 40mm | 25.4 | 9.5 | - |
| | 40mm | 38.1 | 9.5 | - |

- Maximum door weight 34kg
- Cable system for synchronized slide operation
- Maximum door height 2300mm
- Not suitable for flat mounting
- Temperature -20°C to +70°C
- DB - 96 hours salt spray test

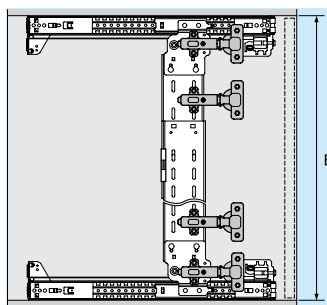
- Maximales Türgewicht 34kg
- Kabelsystem für synchronen Schienenlauf
- Maximale Türhöhe 2300mm
- Nicht für Flachmontage geeignet
- Temperatur -20°C bis +70°C
- DB - 96 Stunden Salzsprühtest



← 20,000 →



| 1432 | mm | | | | | | kg |
|---------------|-----|-----|-------|-------|-------|------|------|
| | SL | TR | A | B | C | D | W |
| DB1432-0030-2 | 303 | 210 | 299.9 | - | 256.5 | 77.7 | 0.92 |
| DB1432-0035-2 | 354 | 261 | 350.7 | - | 307.3 | 77.7 | 1.00 |
| DB1432-0040-2 | 405 | 312 | 401.5 | - | 358.1 | 77.7 | 1.06 |
| DB1432-0045-2 | 456 | 343 | 452.3 | 177.5 | 408.9 | 96.8 | 1.14 |
| DB1432-0050-2 | 506 | 394 | 503.1 | 202.9 | 459.7 | 96.8 | 1.20 |
| DB1432-0055-2 | 557 | 445 | 553.9 | 228.3 | 510.5 | 96.8 | 1.28 |
| DB1432-0060-2 | 608 | 496 | 604.7 | 253.7 | 561.3 | 96.8 | 1.33 |
| DB1432-0065-2 | 659 | 546 | 655.5 | 279.1 | 612.1 | 96.8 | 1.41 |
| DB1432-0070-2 | 710 | 597 | 706.3 | 304.5 | 662.9 | 96.8 | 1.43 |



| E | |
|---------------|----|
| 915mm-1193mm | x3 |
| 1194mm-1498mm | x4 |
| 1499mm-1803mm | x5 |
| 1804mm-2300mm | x6 |

Optional kit ordering codes:

81020590 – hinge carrier strip kit comprises:

- 2 x hinge carrier strips, black
- 3 x connector clips, stainless steel
- assembly hardware

Order 2 x 81020590 for 2 doors 915-1422mm tall

Order 3 x 81020590 for 2 doors 1423-2000mm tall

Order 4 x 81020590 for 2 doors 2001-2300mm tall

Bestellnummern für optionalen Kit:

81020590 – Scharnierleisten-Kit enthält:

- 2 x Scharnierleisten, schwarz
- 3 x Clips, Edelstahl
- Schrauben

Bestellen Sie 2 x 81020590 für 2 Türen
915-1422mm hoch

Bestellen Sie 3 x 81020590 für 2 Türen
1423-2000mm hoch

Bestellen Sie 4 x 81020590 für 2 Türen
2001mm-2300mm hoch

Hinge kits:

81020690 – 35mm hinge kit for inset doors
19.0-20.6mm comprises:

- 2 x 35mm Salice black clip-on hinge
- 2 x 3mm mounting base plate
- 2 x 3mm hinge base spacer
- Assembly hardware and Accuride logo cap

81020790 – 40mm hinge kit for partial overlay
doors 19.0mm maximum comprises:

- 2 x 40mm Salice Zinc clip-on hinge
- 2 x 0mm mounting base plate
- 2 x 3mm hinge base spacer
- Assembly hardware and Accuride logo cap

81020890 – 40mm hinge kit for thick inset doors
20.6-31.8mm comprises:

- 2 x 40mm Salice Zinc clip-on hinge
- 2 x 3mm mounting base plate
- 2 x 3mm hinge base spacer
- Assembly hardware and Accuride logo cap

Scharnier-Kits:

81020690 – 35mm Scharnier-Kit für innenliegende
Türen 19,0mm-20,6mm enthält:

- 2 x 35mm Clipscharniere, Salice, schwarz
- 2 x 3mm Montageplatte
- 2 x 3mm Distanzstück
- Schrauben und Abdeckung mit Accuride-Logo

81020790 – 40mm Scharnier-Kit für Teilweise
vorliegende (Türen) 19,0mm max. enthält:

- 40mm Clipscharnier, Salice, verzinkt
- 2 x 0mm Montageplatte
- 2 x 3mm Distanzstück
- Schrauben und Abdeckung mit Accuride-Logo

81020890 – 40mm Scharnier-Kit für dicke
innenliegende Türen 20,6mm-31,8mm enthält:

- 40mm Clipscharnier, Salice, verzinkt
- 2 x 3mm Montageplatte
- 2 x 3mm Distanzstück
- Schrauben und Abdeckung mit Accuride-Logo

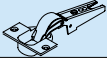
Notes:

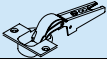
- Wood thickness should be 19-32mm
- Door widths 255-660mm, door heights
915-2300mm
- Vertical mounting only
- Hinges ordered separately
- Hinge carrier strip kit ordered separately


Hinweise:

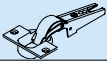
- Holzstärke sollte 19-32mm betragen
- Türbreiten 255mm-660mm, Türhöhen
915mm-2300mm
- Nur Vertikalmontage
- Scharniere sind separat zu bestellen
- Scharnierleisten-Kit ist separat zu bestellen

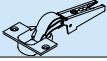
Empfohlene Scharniere

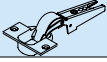
| 1 | 1234 |  | E | F | A (mm) | B (mm) | C (mm) |
|---|--------|---|------------|------------|--------------|------------|---------|
| | BLUM | 35mm | 175H9160 | 71T9550 | 16.0-19.0 | 6.0 | 1.0±2.0 |
| | SALICE | 35mm | BAR3R39 | C2ABG99 | 19.0 20.6 | 8.0 9.5 | 0.7 |
| | SALICE | 40mm | BAR3R09 | CFA7P99 | 19.0-31.8 | 14.0 | 0.7 |
| | GRASS | 35mm | F058139747 | F028138521 | 19.0-25.0 | 6.0 | 1=/-2.0 |

| 2 | 1234 |  | E | F | A (mm) | B (mm) | C (mm) |
|---|--------|---|---------|---------|-----------|--------|--------|
| | SALICE | 40mm | BAR3R09 | CFA7G99 | 16.0-20.6 | 15.0 | 11.3 |

| 1 | 1312 |  | E | F | A (mm) | B (mm) | C (mm) |
|---|--------|---|----------------------------------|------------|-----------|--------|---------|
| | BLUM | 35mm | 173L6100 175H7100 173H7100 | 71T9550 | 16.0-19.0 | 7.0 | 1.0±2.0 |
| | SALICE | 35mm | BAR3R09 | C2ABA99 | 19.0-22.0 | 8.0 | 1.0±2.0 |
| | GRASS | 35mm | F058139720 | F028138519 | 16.0-24.0 | 7.0 | 1=/-2.0 |

| 1 | 1316/1319 |  | E | F | A (mm) | B (mm) | C (mm) |
|---|-----------|---|----------------------|--------------------|------------------------|------------|--------------------|
| | BLUM | 35mm | 175H7100 175H7100 | 75T1550 91M2550 | 16.0-20.0 16.0-20.0 | 6.0 6.0 | 4.0±2.0 4.0±2.0 |
| | SALICE | 35mm | BAR3R39 | C2ABA99 | 16.0-20.0 | 6.5 | 1.0 |
| | GRASS | 35mm | F058139746 | F028138519 | 16.0-20.0 | 6.0 | 3.0±2.0 |

| 1 | 1432 |  | E | F | A (mm) | B (mm) | C (mm) |
|---|--------|---|----------------------------------|--------------------|--------------|------------|------------|
| | BLUM | 35mm | 173L6100 175H7100 173H7100 | 71T9550 | 19.0-22.0 | 7.0 | 4.3±2.0 |
| | SALICE | 35mm | BAR3R39 | C2ABA99 C2ABG99 | 19.0 20.6 | 8.0 9.0 | 2.3 1.8 |
| | SALICE | 40mm | BAR3R39 | CFA7G99 | 19.0-31.8 | 15.0 | 2.3 |
| | GRASS | 35mm | F058139746 | F028138520 | 19.0-32.0mm | 7.0 | 1=/-2.0 |

| 2 | 1432 |  | E | F | A (mm) | B (mm) | C (mm) |
|---|--------|---|---------|---------|--------|--------|--------|
| | SALICE | 40mm | BAR3P09 | CFA7A99 | 19.0 | 15.0 | 11.7 |

