



## Karbonski tečaji

### Carbon Kevlar Hinges

#### METALIKA KACIN

Slovenija

**(+386) 04 510 53 60**

**info@metalika-kacin.com**

Hrvatska

**(+385) 051 213 060**

**hrvatska@metalika-kacin.com**

Srbija

**(+381) 011 25 21 756**

**srbija@metalika-kacin.com**

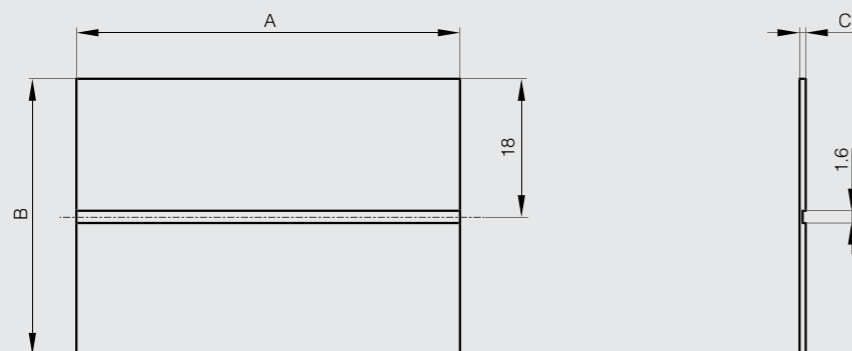
### Carbon Kevlar hinges - 36 mm width



Hinge is constructed of rigid leaves and a flex unit.  
 The rigid leaves are woven carbon fibre in an epoxy matrix.  
 The Kevlar flex units are impregnated with a flexible urethane.  
 Design for bonding.  
 No metallic component. Ultra light, ultra thin.



	Part number	Material	Finish	A	B	C	Weight (g)
NEW	54-7-3600	carbon / Kevlar	black	50	36	0.8	2
NEW	54-7-3601	carbon / Kevlar	black	100	36	0.8	3



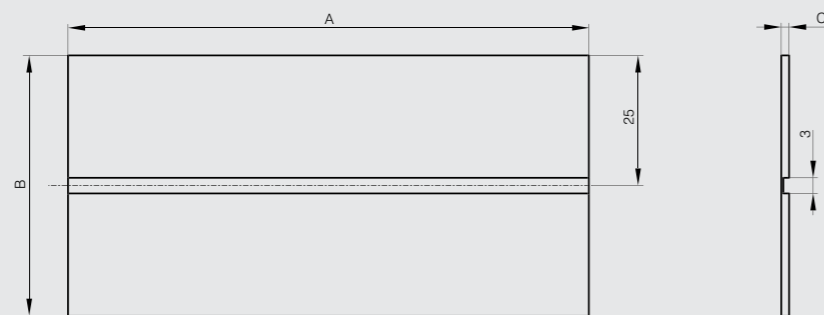
### Carbon Kevlar hinges - 50 mm width



Hinge is constructed of rigid leaves and a flex unit.  
 The rigid leaves are woven carbon fibre in an epoxy matrix.  
 The Kevlar flex units are impregnated with a flexible urethane.  
 Design for bond or screws assembly.  
 Part number 54-7-3602 tested to over one million cycles through an 80° arc.  
 No metallic component. Ultra light, ultra thin.



	Part number	Material	Finish	A	B	C	Weight (g)
NEW	54-7-3602	carbon / Kevlar	black	50	50	1.5	4
NEW	54-7-3603	carbon / Kevlar	black	100	50	1.5	9
NEW	54-7-3604	carbon / Kevlar	black	600	50	1.5	51



### Carbon Kevlar hinges with glass fiber - 50 mm width



Hinge is constructed of rigid leaves and a flex unit.  
 The rigid leaves are a glass fibre carbon hybrid.  
 The Kevlar flex units are impregnated with a flexible urethane.  
 Design for bond or screws assembly.  
 No metallic component. Ultra light, ultra thin.



	Part number	Material	Finish	A	B	C	Weight (g)
NEW	54-7-3605	carbon / glass fibre / Kevlar	black	50	50	2.5	8
NEW	54-7-3606	carbon / glass fibre / Kevlar	black	100	50	2.5	16

