



Zaščita vogalov in kotov Edge Protectors

METALIKA KACIN

Slovenija

(+386) 04 510 53 60

info@metalika-kacin.com

Hrvatska

(+385) 051 213 060

hrvatska@metalika-kacin.com

Srbija

(+381) 011 25 21 756

srbija@metalika-kacin.com

Advantages

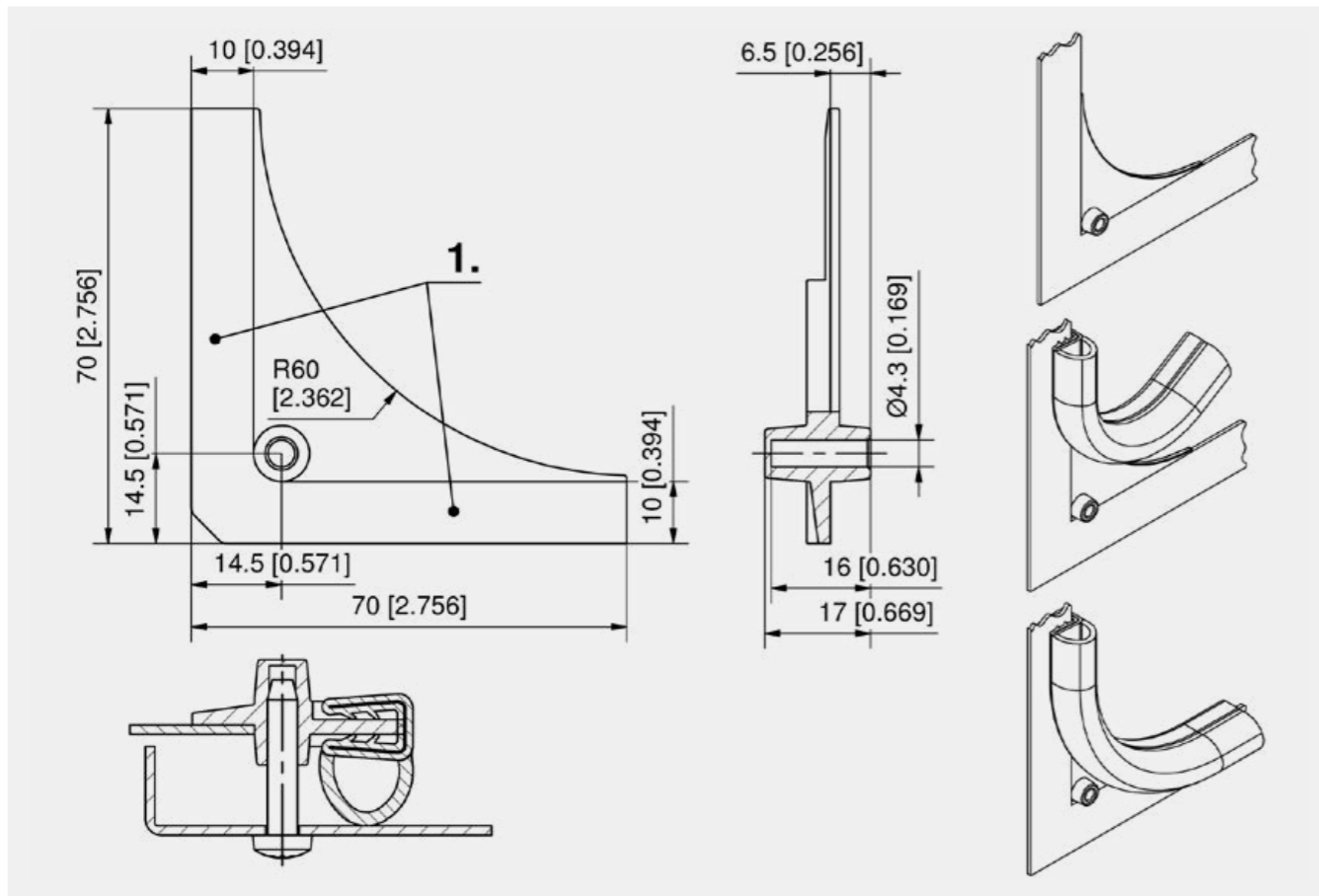
- Radius Adapter simplifies installation for clip-on sealing profiles by creating a radius within 90° inside corners.
- The radius adapter is easily installed and kept in position at the flange of the housing by the clip-on U-part of the sealing profile.
- No welding and grinding of junction plates due to the corner radius.
- Just put the radius adapter into the angle (after the painting process) and fix with the U-shape carrier of the sealing profile.
- Housing covers can be screwed to the frame at low cost using the integrated device for selftapping screw.

Materials

Radius Adapter: PA6 30GF, black

Remarks

1. Installation surface



Accessories for Profiles

Part Number	Type	Surface
209-4204.52-00000	Radius adapter for clip-on profiles	black

Corner & edge protectors | Tubular protective netting



Protection of irregular shapes, excellent extensibility.

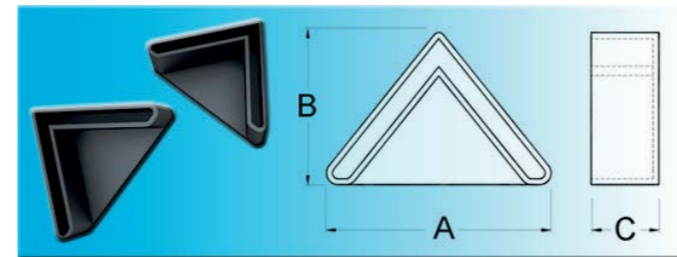
Order unit: meter

Material: LDPE
Size indication by different colours.
Colours: (X = Colour)
1 = orange / 2 = black / 3 = purple / 4 = red / 5 = yellow / 6 = blue

∅ = diameter range

Part no.	∅	X	Part no.	∅	X	Part no.	∅	X
1980006	6 - 17	1	1980018	25 - 60	3	1980100	100 - 200	5
1980010	10 - 25	2	1980050	50 - 100	4	1980200	200 - 300	6

Corner & edge protectors | Angle bar feet



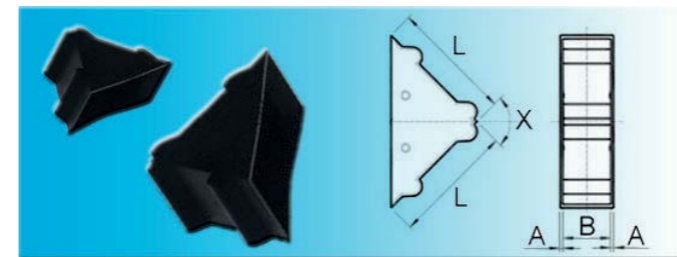
Angle bar feet for profiles

Material: PE
Colour: black

W = angle profile / S = wall thickness

Part no.	W	A	B	C	S	Part no.	W	A	B	C	S
2122500	25 x 25	42,6	26,6	11,5	1,5 - 2	2123600	36 x 36	58,5	34,6	11,3	1,5 - 2,5
2123000	30 x 30	47,4	27,5	10,0	1 - 2,5	2124000	40 x 40	62,9	36,2	12,0	1,5 - 3

Corner & edge protectors | Corner protectors

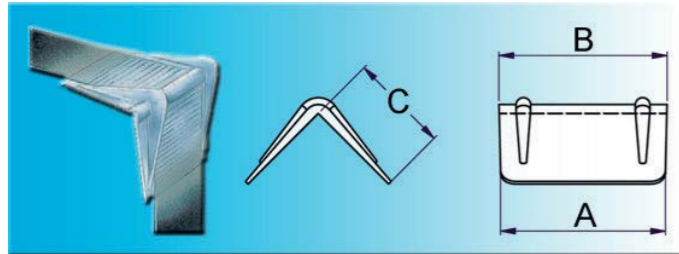


Material: PE
Colour: black

Special colours, other dimensions or larger quantities on written request.

Part no.	A	B	L	X	Part no.	A	B	L	X
5110001	1	2-3	50	90°	5110009	1	15-16	50	90°
5110002	1	3-4	30	90°	5110010	1	19-20	50	90°
5110003	1	3-4	50	90°	5110011	1	21-22	50	90°
5110004	1	4-5	50	90°	5110012	1	25-26	50	90°
5110005	1	5-6	50	90°	5110013	1	32-33	50	90°
5110006	1	7-8	50	90°	5110014	1	39-40	50	90°
5110007	1	9-10	50	90°	5110015	1	28,5-30	50	90°
5110008	1	11-12	50	90°	5110016	1	49-50	50	90°

Corner & edge protectors | Edge protectors



These edge protectors are easy to assemble and provide a good and economic material protection during transport and storage. They are ideal to be used with belt tensioners.

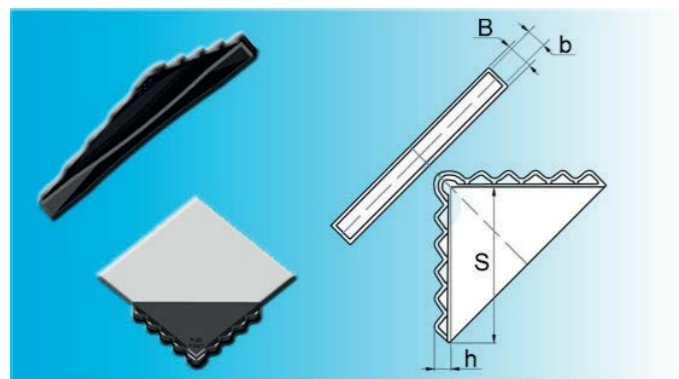
Material: LDPE
Colour: natural

Further types on written request.

Part no.	A	B	C	X
2110019	26,3	33,3	26,3	19,0
2110024	29,4	29,3	21,9	24,0

Part no.	A	B	C	X
2110028	44,3	45,2	27,0	28,0

Corner & edge protectors | Angle protectors



Angle protection for clamping

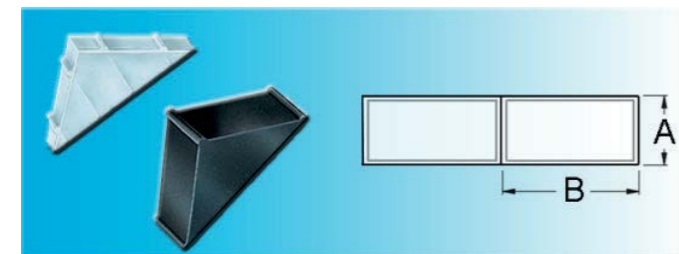
Material: PE
Colour: black

Further types on written request.

Part no.	B	b	S	h
2170004	6,0	4,0	50,0	6,0
2170005	7,0	5,0	50,0	6,0
2170006	8,0	6,0	50,0	6,0

Part no.	B	b	S	h
2170008	10,4	8,0	60,0	6,0
2170010	12,4	10,0	60,0	6,0
2170012	14,4	12,0	60,0	6,0

Corner & edge protectors | Angle protectors



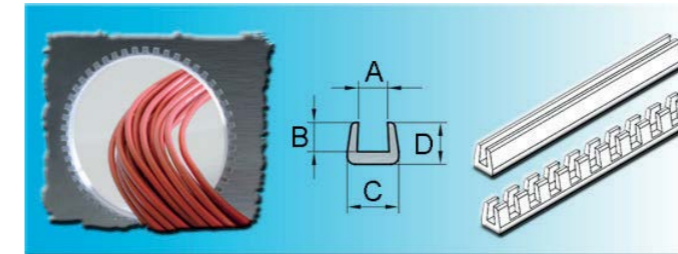
These angle protectors are easy to assemble and provide a good and economic material protection during transport and storage.

Material: LDPE
Colour:
+ natural / * black

Further types on written request.

Part no.	A	B	Part no.	A	B
2110001	0,8-1,2	32,0	2110003	4,0	45,0
2110002	2,0-3,0	45,0	2110004	4,0	46,0

Corner & edge protectors | Edge-protection profile



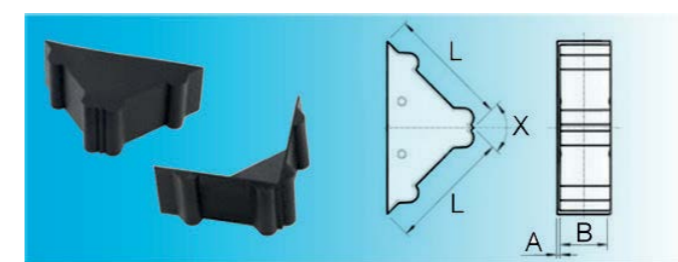
Edge protection profiles - to protect cables from sharp edges in distribution boxes etc. Available with closed or toothed edge.

X = type (G = closed edge / Z = toothed edge)
S = sheet thickness in mm
Y = packing unit (minimum quantity per roll)

Two materials available:
polyethylene (PE)
flame-resistant polyethylene (PE AF), last digit F
Colour: natural

Part no.	A	B	C	D	S	X	Y
2160010	1	2	3	3,2	0,8 - 1	G	35m
2160010F	1	2	3	3,2	0,8 - 1	G	35m
2160020	1	2	3	3,2	0,8 - 1	Z	35m
2160020F	1	2	3	3,2	0,8 - 1	Z	35m
2160011	1,5	2	3,5	3,2	1,1 - 1,5	G	30m
2160011F	1,5	2	3,5	3,2	1,1 - 1,5	G	30m
2160021	1,5	2	3,5	3,2	1,1 - 1,5	Z	30m
2160021F	1,5	2	3,5	3,2	1,1 - 1,5	Z	30m
2160012	2	3	4,3	4,3	1,6 - 2	G	25m
2160012F	2	3	4,3	4,3	1,6 - 2	G	25m
2160022	2	3	4,3	4,3	1,6 - 2	Z	25m
2160022F	2	3	4,3	4,3	1,6 - 2	Z	25m
2160013	3	3	5,3	4,3	2,1 - 3	G	20m
2160013F	3	3	5,3	4,3	2,1 - 3	G	20m
2160023	3	3	5,3	4,3	2,1 - 3	Z	20m
2160023F	3	3	5,3	4,3	2,1 - 3	Z	20m
2160014	4	3,5	6,9	5,3	3,1 - 4	G	15m
2160014F	4	3,5	6,9	5,3	3,1 - 4	G	15m
2160024	4	3,5	6,9	5,3	3,1 - 4	Z	15m
2160024F	4	3,5	6,9	5,3	3,1 - 4	Z	15m

Corner & edge protectors | Corner protectors - with one side open



Material: PE
Colour: black

Special colours, other dimensions or larger quantities on written request.

Part no.	A	B	L	X
5120001	1	25	50	90°