

Hygiene Quarter-Turn with Insert Square SW13 [7-081.01HD]



Specially developed Hygiene stainless steel Quarter-Turn (HD, Hygienic Design) with insert square SW13, for applications in the food sector and hygienic areas

Advantages

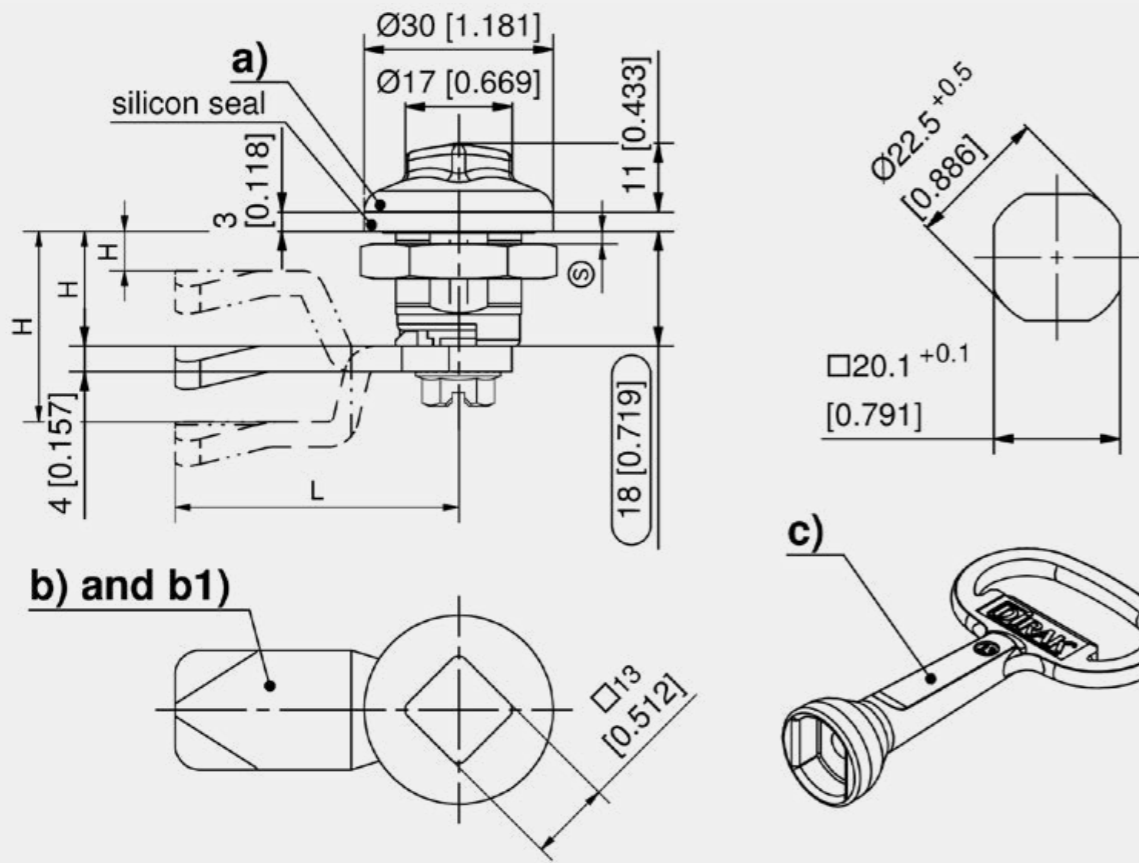
- Tested according to: GS-NV 2:2013/06 Principles for the testing of food processing machines GS-NV 6:2013/06 Principles for the testing of hygiene requirements Machine Ordinance: DIN EN 1672-2:2009
- DGUV Test Certificate NV 13090.
- Dirt resistant and easy to clean by means of polished surface and transition radii.
- RH / LH application.
- IP 65/67/69K according to DIN EN 60529 / DIN 40050.
- Cam can be delivered pre-assembled upon request.
- A pre-assembled Quarter-Turn can be installed in the cutout.

Materials

- **Housing and insert:** stainless steel AISI 316 L
- **Grounding nut and serrated screws:** stainless steel
- **Seal:** silicone, blue, FDA conform (Food and Drug Administration)

Remarks

(S) = max. 8 mm.



Hygiene Quarter-Turn

Part Number	Housing length	Insert	Grounding type	Material	Installation type
a) 100-9503.00-00000	18 mm	SW13	Grounding nut	Stainless Steel	screw-on

Accessories

- b) 162 7-105 Cams L35/45 stainless steel
- c) 759 204-0140.39-05010 Key SW13

Quarter-Turn with Insert SW13 Pr20.1 L18 [7-081.01]



stainless steel AISI 316L, Quarter-Turn with insert SW13 for hygienic applications

Advantages

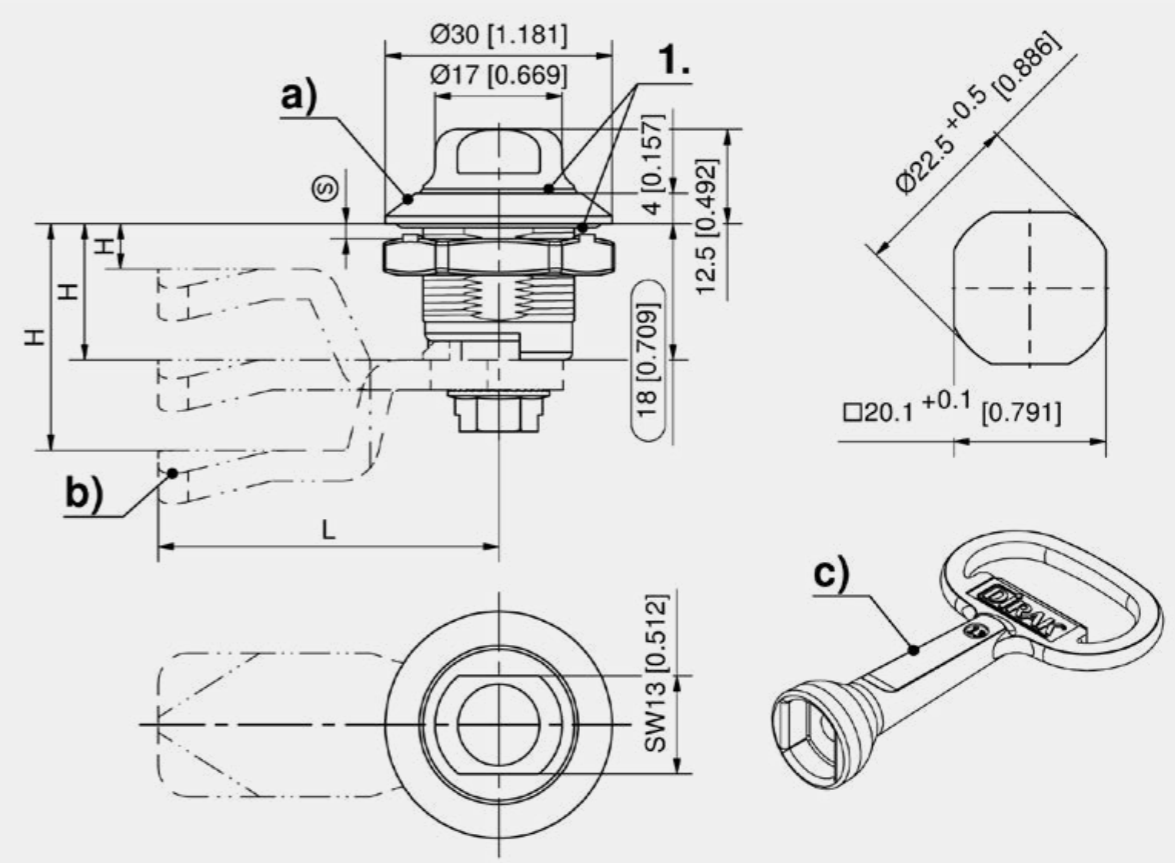
- Meets hygiene requirements acc. to DIN EN ISO 14159 and DIN EN 1672-2.
- Easy to clean.
- IP67 / 69K according to DIN EN 60529 / DIN 40050.
- O-rings (FDA conform) prevent dirt deposits and penetration of liquids.
- RH / LH application.
- (S) = max. 8 mm.

Materials

- **Housing, grounding nut and insert:** stainless steel AISI 316L
- **Cam and serrated screw:** stainless steel AISI 304
- **O-rings:** silicone, FDA conform, red or blue

Remarks

1. = O-rings



Quarter-Turns

Part Number	Housing length	Door-thickness	Insert	Version	Grounding type	Material	Installation type
a) 100-9508.00-00000	18 mm	8 mm	SW13	red o-ring	Grounding nut	Stainless Steel	screw-on
a) 100-9508.00-00001	18 mm	8 mm	SW13	blue o-ring	Grounding nut	Stainless Steel	screw-on

Accessories

- b) 162 7-105 Cams L35/45 stainless steel
- c) 759 204-0140.39-05010 Key SW13

Assembly options

200-0002.00-00000 Assembling cam with o-ring

Specially developed Hygiene stainless steel Quarter-Turn with T-handle (HD, Hygienic design), for applications in the food sector and hygienic areas

Advantages

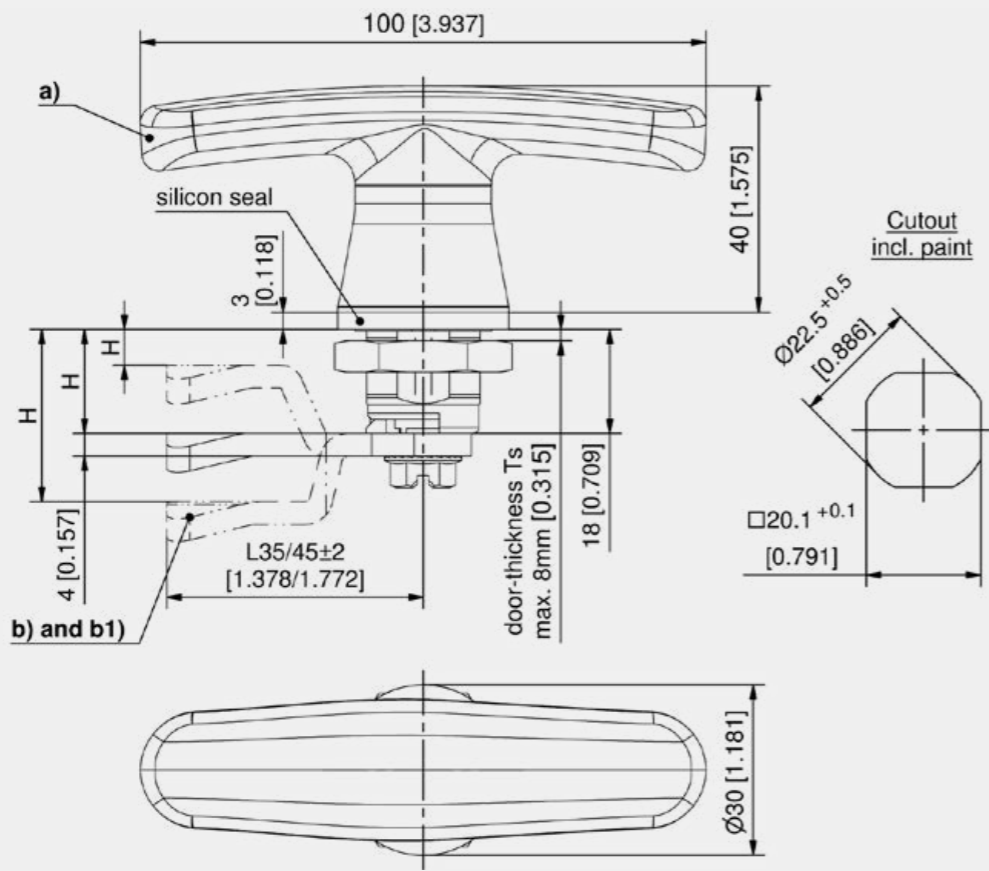
- Tested according to: GS-NV 2:2013/06 Principles for the testing of food processing machines GS-NV 6:2013/06 Principles for the testing of hygiene requirements. Machine Ordinance: DIN EN 1672-2:2009
- DGVU Test Certificate NV 13090.
- Dirt resistant and easy to clean by means of polished surface and transition radii.
- RH / LH application.
- IP 65/67/69K according to DIN EN 60529 / DIN 40050.
- Cam can be delivered pre-assembled upon request.
- A preassembled Quarter-Turn can be installed in the cutout.
- (S) = max. 8mm.

Materials

- **Housing and Handle:** stainless steel AISI 316 L
- **Grounding nut and Serrated Screws:** stainless steel
- **Seal:** Silicon, blue, FDA conform (Food and Drug Administration)

Remarks

(S) = max. 8 mm



Hygiene Quarter-Turn with T-Handle

Part Number	Grounding type	Material
a) 100-9313.00-00000	Grounding nut	Stainless Steel

Accessories		
b1)	165	7-105.01 Cams L35/45 without Ramp and Stop
b)	162	7-105 Cams L35/45 stainless steel

stainless steel AISI 316L, for cutout 20.1, length 18

Advantages

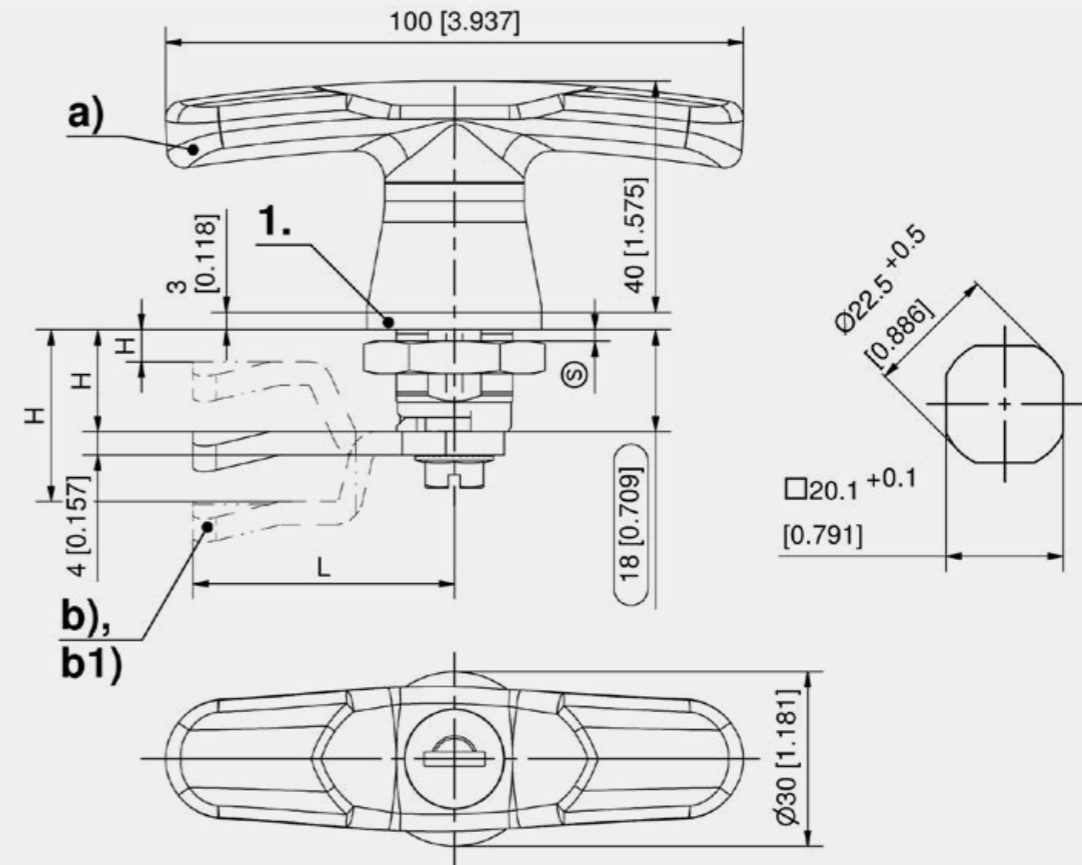
- Suitable for the food sector and hygienic areas.
- Meets hygiene requirements acc. to DIN EN ISO 14159 and DIN EN 1672-2.
- Polished surface.
- RH or LH application.
- Lockable with cylinder barrel.
- Seal FDA conform.
- IP65/67 DIN 60529 .
- Grounding by grounding nut.
- Cam can be delivered pre-assembled upon request.
- The pre-assembled Quarter-Turn can be installed in the cutout.

Materials

- **Housing and Handle:** stainless steel AISI 316 L
- **Grounding nut and Serrated Screw:** stainless steel
- **Seal:** Silicon, blue

Remarks

1. = Seal



Quarter-Turns

Part Number	Latching type	Grounding type	Material
a) 100-9313.00-01333	keyed alike DIRAK 1333	Grounding nut	Stainless Steel
a) 100-9313.00-99999	keyed different	Grounding nut	Stainless Steel

Accessories		
b1)	165	7-105.01 Cams L35/45 without Ramp and Stop
b)	162	7-105 Cams L35/45 stainless steel

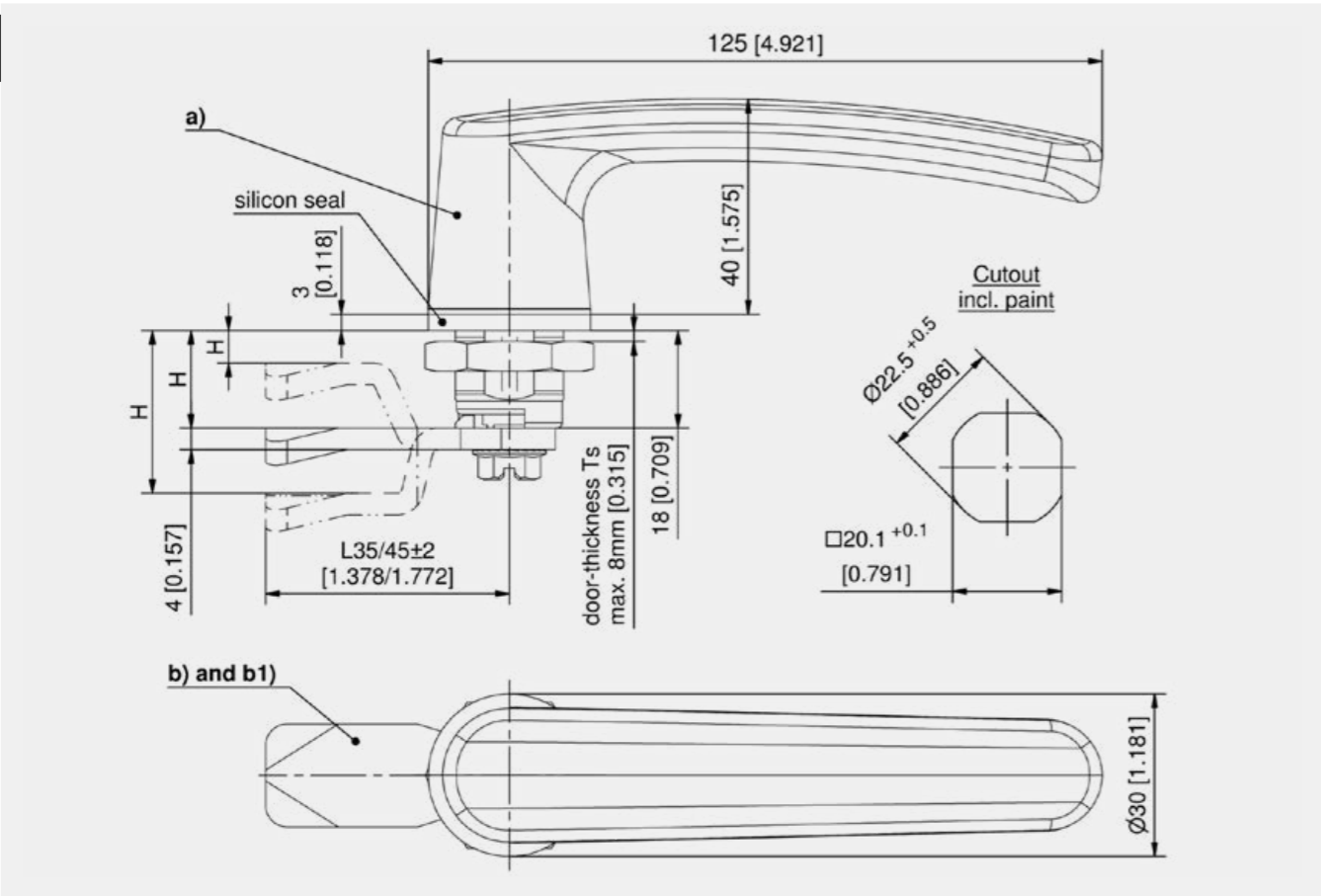
Specially developed Hygiene stainless steel Quarter-Turn with L-Handle (HD, Hygienic design), for applications in the food sector and hygienic areas

Advantages

- Tested according to: GS-NV 2:2013/06 Principles for the testing of food processing machines GS-NV 6:2013/06 Principles for the testing of hygiene requirements. Machine Ordinance: DIN EN 1672-2:2009
- DGVU Test Certificate NV 13090.
- Dirt resistant and easy to clean by means of polished surface and transition radii.
- RH / LH application.
- IP 65/67/69K according to DIN EN 60529 / DIN 40050.
- Cam can be delivered pre-assembled upon request.
- A pre-assembled Quarter-Turn can be installed in the cutout.
- (S) = max. 8 mm.

Materials

- **Housing and Handle:** stainless steel AISI 316 L
- **Grounding nut and serrated screws:** stainless steel
- **Seal:** Silicon, blue, FDA conform (Food and Drug Administration)



Hygiene Quarter-Turn with L-Handle

Part Number	Grounding type	Material
a) 100-9416.00-00000	Grounding nut	Stainless Steel

Accessories		
b1)	165 7-105.01	Cams L35/45 without Ramp and Stop
b)	162 7-105	Cams L35/45 stainless steel

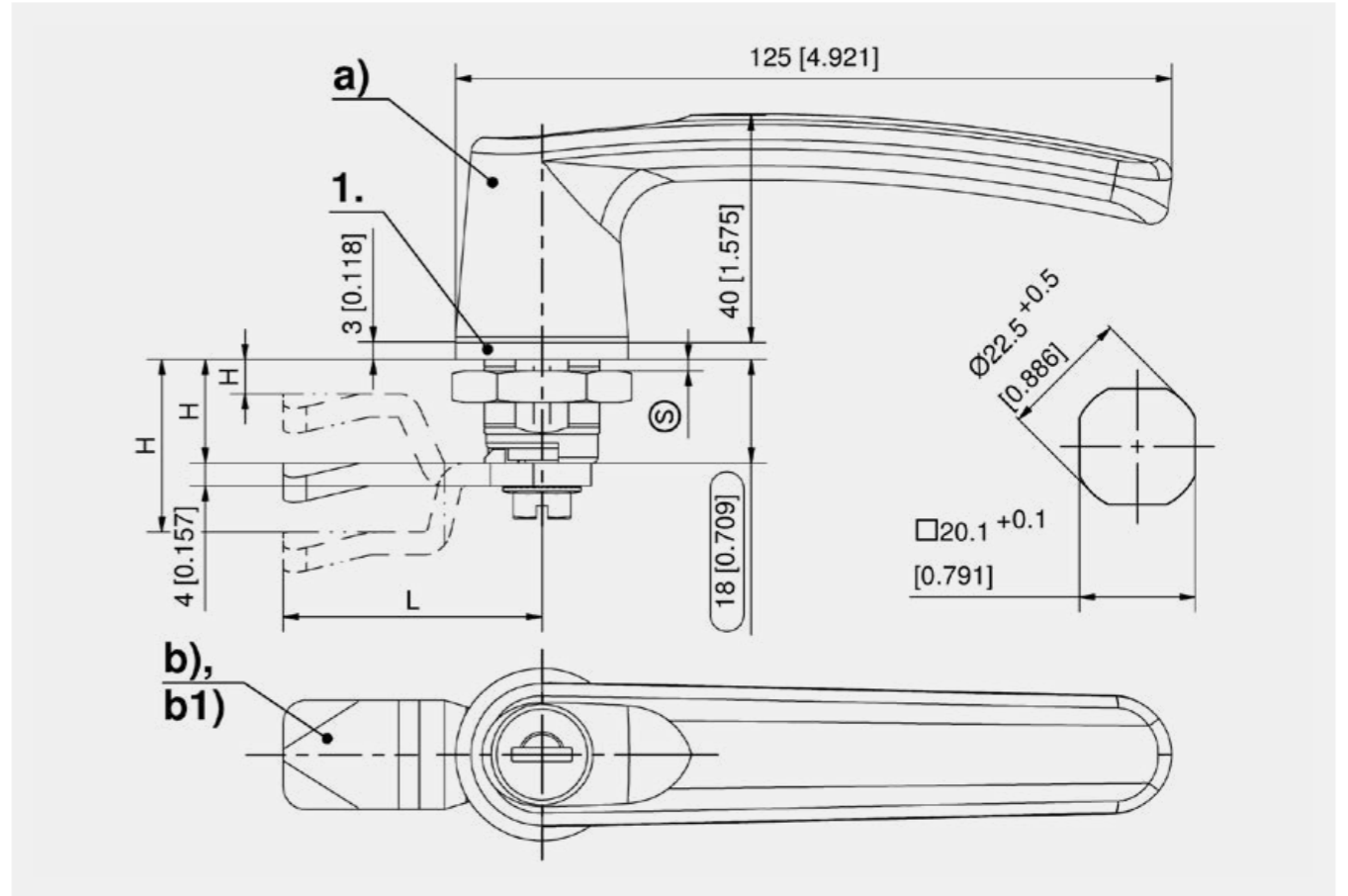
stainless steel 316L, for cutout 20.1, length 18

Advantages

- Suitable for the food sector and hygienic areas.
- Meets Hygiene requirements acc. to DIN EN ISO 14159 and DIN EN 1672-2.
- Polished surface.
- RH or LH application.
- Seal FDA conform.
- IP 65/67 DIN EN 60529.
- Grounding by grounding nut.
- Cam can be delivered pre-assembled upon request.
- The pre-assembled Quarter-Turn can be installed in the cutout.

Materials

- **Housing and Handle:** stainless steel AISI 316 L
- **Grounding nut and serrated screws:** stainless steel
- **Seal:** Silicon, blue, FDA conform (Food and Drug Administration)



Quarter-Turn with L-Handle

Part Number	Latching type	Grounding type	Material
a) 100-9416.00-01333	keyed alike DIRAK 1333	Grounding nut	Stainless Steel
a) 100-9416.00-99999	keyed different	Grounding nut	Stainless Steel

Accessories		
b1)	165 7-105.01	Cams L35/45 without Ramp and Stop
b)	162 7-105	Cams L35/45 stainless steel





Specially developed stainless steel Hygiene Compression Latch (HD, Hygienic Design) with insert square SW13, for applications in the food sector and hygienic areas

Advantages

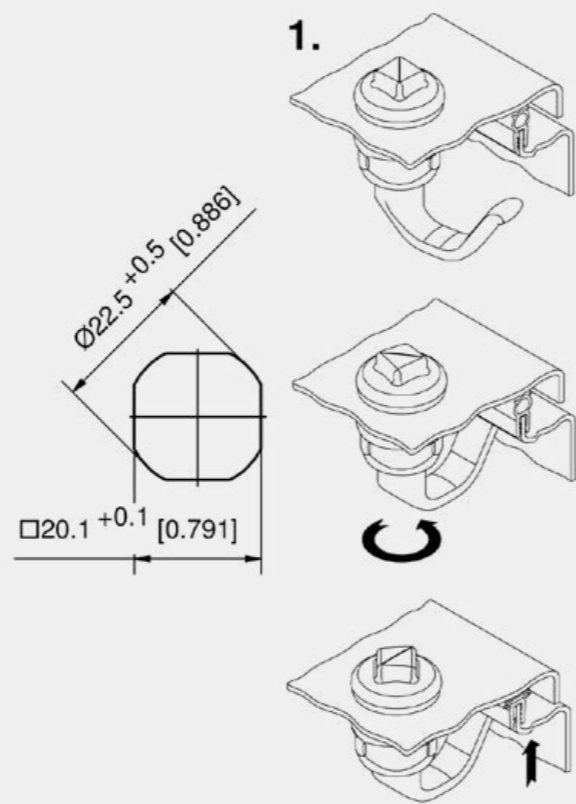
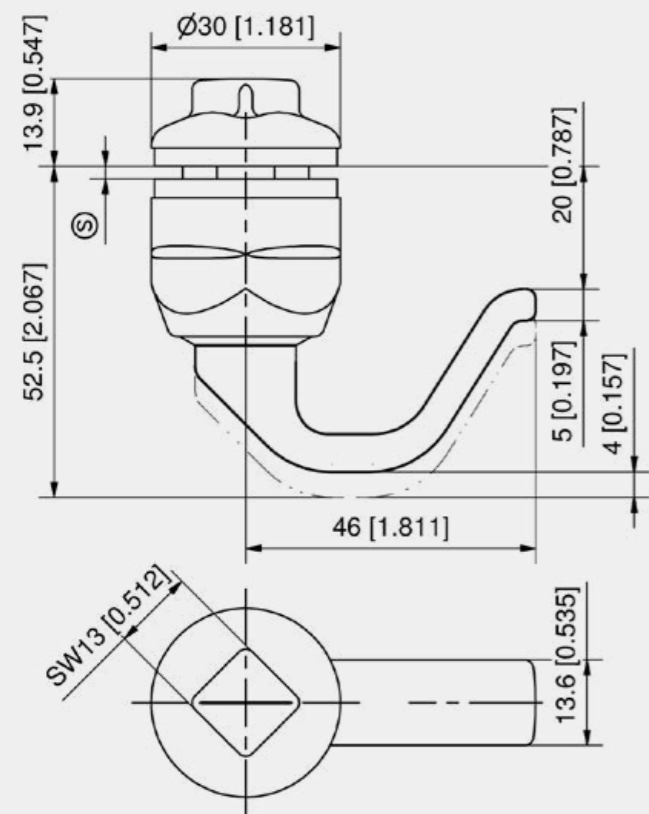
- Compression 4 mm.
- Vibration-proof according to DIN EN 61373.
- The complete Quarter-Turn is certified and tested according to: GS-NV 2:2013/06
- Principles for the testing of food processing machines
- GS-NV 6:2013/06 Principles for the testing of hygiene requirements.
- Machine Ordinance: DIN EN 1672-2:2009.
- DGUV Test Certificate NV 13090.
- IP 65/67/69K according to DIN EN 60529 / DIN 40050.

Materials

- **Housing, insert, nut, cam:** stainless steel AISI 316L
- **Seal:** silicone, blue, FDA conform (Food and Drug Administration)

Remarks

- The compression latch is delivered with assembled cam.
- (S) = max. 4 mm.
- 1.= Operation



Hygiene compression latch

Part Number	Door-thickness	Insert	Version	Compression	Material	Installation type
100-9504.00-00000	max. 4 mm	SW13	RH	4	Stainless Steel	screw-on
100-9505.00-00000	max. 4 mm	SW13	LH	4	Stainless Steel	screw-on

Accessories	
+	759 204-0140.39-05010 Key SW13



Hygiene Quarter-Turn with L-Handle

See page 148