

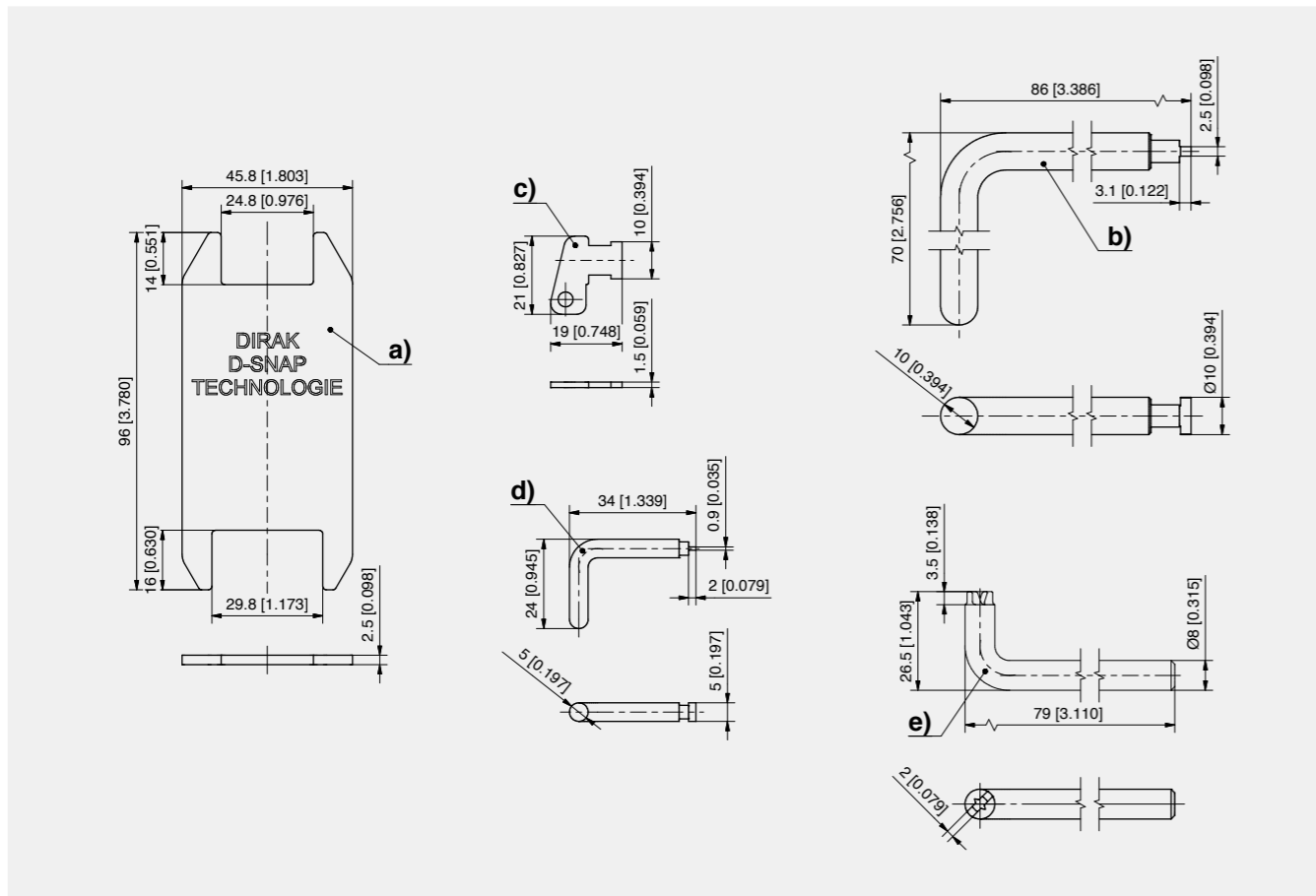


**Advantages**

- a) Tool for uninstallation for cutouts 30x8mm, 30x10mm, 30x14mm and 30x15mm and 25mm (0.984) length.
- b), d) and e) Tool for uninstallation of DST fasteners.
- c) Tool for uninstallation for cutout with 14mm and 15mm width.

**Materials**

- **Tool for uninstallation:** stainless steel, brass and steel zinc plated



Tool for uninstallation

	Part Number	Material	Surface
a)	292-0306.80-02530	stainless steel	
b)	292-0311.15-00000	steel	zinc plated
c)	292-0301.15-00000	steel	zinc plated
d)	292-0302.70-00000	brass	untreated
e)	292-0312.83-00000	stainless steel	

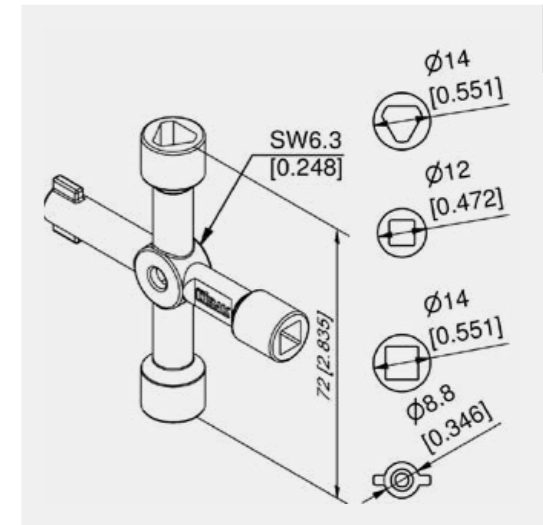


**Advantages**

- Multi Key for 4 inserts: Triangular 8mm, Square 6mm, Square 8mm, Double bit 5mm

**Materials**

- **Multi Key:** zinc die, zinc plated



Multi Key

Part Number	Type	Material	Surface
204-0701.07-07500	Multi Key for Inserts	zinc die	zinc plated

Universal Rail Key Stainless Steel

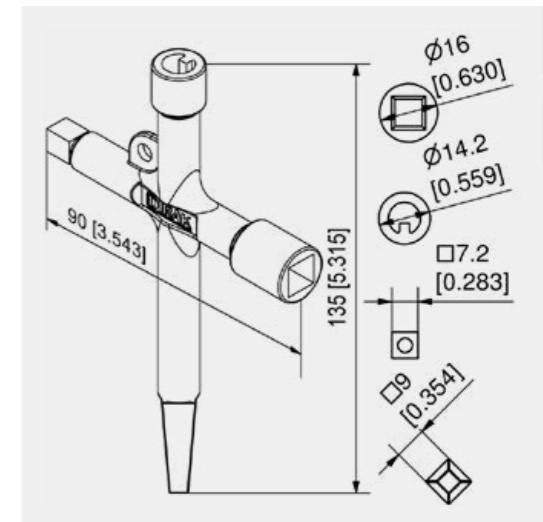


**Advantages**

- Universal key for railway applications.
- Designed for increased leverage for hard to turn lock.
- One tool for 4 inserts: Conical square insert (Berne key), Socket square 7.6mm insert (UK insert), DÜWAG insert, Conical square 9mm.
- Intergrated eyelet for attaching key ring or key bands.

**Materials**

- **Universal rail key:** stainless steel, untreated



Rail key

Part Number	Insert	Material	Surface
204-0702.80-00000	Universal	stainless steel	untreated

RoHS  
WEEE



**Advantages**

- Keys for Quarter-Turns, 200 and 220 series and for inserts see product system 2-141.

**Materials**

- A), B), and C)
  - **Key:** zinc die, untreated
- D) and E)
  - **Polyamide key:** PA, black
- F)
  - **Key:** zinc die, nickel plated
- G)
  - **Key SW13:** zinc die, untreated or blue, powder-coated
- H)
  - **PZ building key:** PS, black

**Key form A**

Part Number	Name	Insert	Material	Surface
204-0107.00-00000	double bit for pin	Double bit 3mm pin	zinc die	untreated
204-0108.00-00000	double bit for pin	Double bit 5mm pin	zinc die	untreated

**Key form B**

Part Number	Name	Insert	D	Material	Surface
204-0102.00-00000	female key	Square 7mm		zinc die	untreated
204-0103.00-00000	female key	Square 8mm		zinc die	untreated
204-0104.00-00000	female key	Triangular 7mm	14.2 mm	zinc die	untreated
204-0105.00-00000	female key	Triangular 8mm		zinc die	untreated
204-0106.00-00000	female key	Triangular 6.5mm CNOMO	14.2 mm	zinc die	untreated
204-0109.00-00000	female key	Daimler Benz type	11.5 mm	zinc die	untreated
204-0110.00-00000	female key	Crown type	15.9 mm	zinc die	untreated
204-0111.00-00000	female key	Square 6mm		zinc die	untreated
204-0112.00-00000	female key	Triangular 6.5mm		zinc die	untreated
204-0113.00-00000	female key	Triangular 9mm EDF	15.9 mm	zinc die	untreated
204-0116.00-00000	female key	Crescent czech	15.9 mm	zinc die	untreated
204-0119.00-00000	male key	Male square 6mm		zinc die	untreated
204-0120.00-00000	male key	Male square 7mm		zinc die	untreated
204-0121.00-00000	male key	Male hex. 8mm		zinc die	untreated
204-0133.30-00000	male key	Male hex. 8mm (5/16")		zinc die	untreated
204-0134.30-00000	female key	Hex. 7/16"	15.6 mm	zinc die	untreated
204-0139.00-00000	female key	Hex. SW10	15.9 mm	zinc die	untreated

**Key form C**

Part Number	Name	Insert	Material	Surface
204-0501.00-00000	female key	Square 6mm	zinc die	untreated
204-0502.00-00000	female key	Triangular 6.5mm	zinc die	untreated

**Key form D**

Part Number	Name	Insert	Material	Surface
204-0407.03-00000	double bit for pin	Double bit 3mm pin	PA	black
204-0408.03-00000	double bit for pin	Double bit 5mm pin	PA	black

**Key form E**

Part Number	Name	Insert	D	Material	Surface
204-0401.03-00000	female key, hollow (logo both sides)	Square 6mm	11.5 mm	PA	black
204-0402.03-00000	female key, hollow (logo both sides)	Square 7mm	15.5 mm	PA	black
204-0403.03-00000	female key, hollow (logo both sides)	Square 8mm	15.5 mm	PA	black
204-0404.03-00000	female key, hollow (logo both sides)	Triangular 6.5mm	11.5 mm	PA	black
204-0405.03-00000	female key, hollow (logo both sides)	Triangular 7mm	15.5 mm	PA	black
204-0406.03-00000	female key, hollow (logo both sides)	Triangular 8mm	15.5 mm	PA	black
204-0409.03-00000	female key, hollow (logo both sides)	Blade 10 x 1,4		PA	black

**Key form F**

Part Number	Name	Insert	Material	Surface
204-0302.42-00000	FIAT key	FIAT	zinc die	nickel plated

**Key form G**

Part Number	Name	Insert	Material	Surface
204-0140.00-00000	female key	SW13	zinc die	untreated
204-0140.39-05010	Key SW13	SW13	zinc die	blue, powder-coated

**Key form H**

Part Number	Name	Material	Surface
204-0301.00-00000	PZ building key	PS	black

