

# Dust Caps and Sealing Plug Pr20.1

[1-270]

Quarter-Turns  
Accessories



IP  
65/67

IP  
65

RoHS  
WEEE



### Advantages

- **Dust caps** for head Ø28mm - Ø32mm.
- **Material TPU:** Excellent resistance to pure mineral oils and greases.
- **Sealing plugs** for inner diameter Ø16.1mm.

### Materials

- **Dust cap:** PP or TPU, black
- **Sealing Plug:** NBR+PVC, black

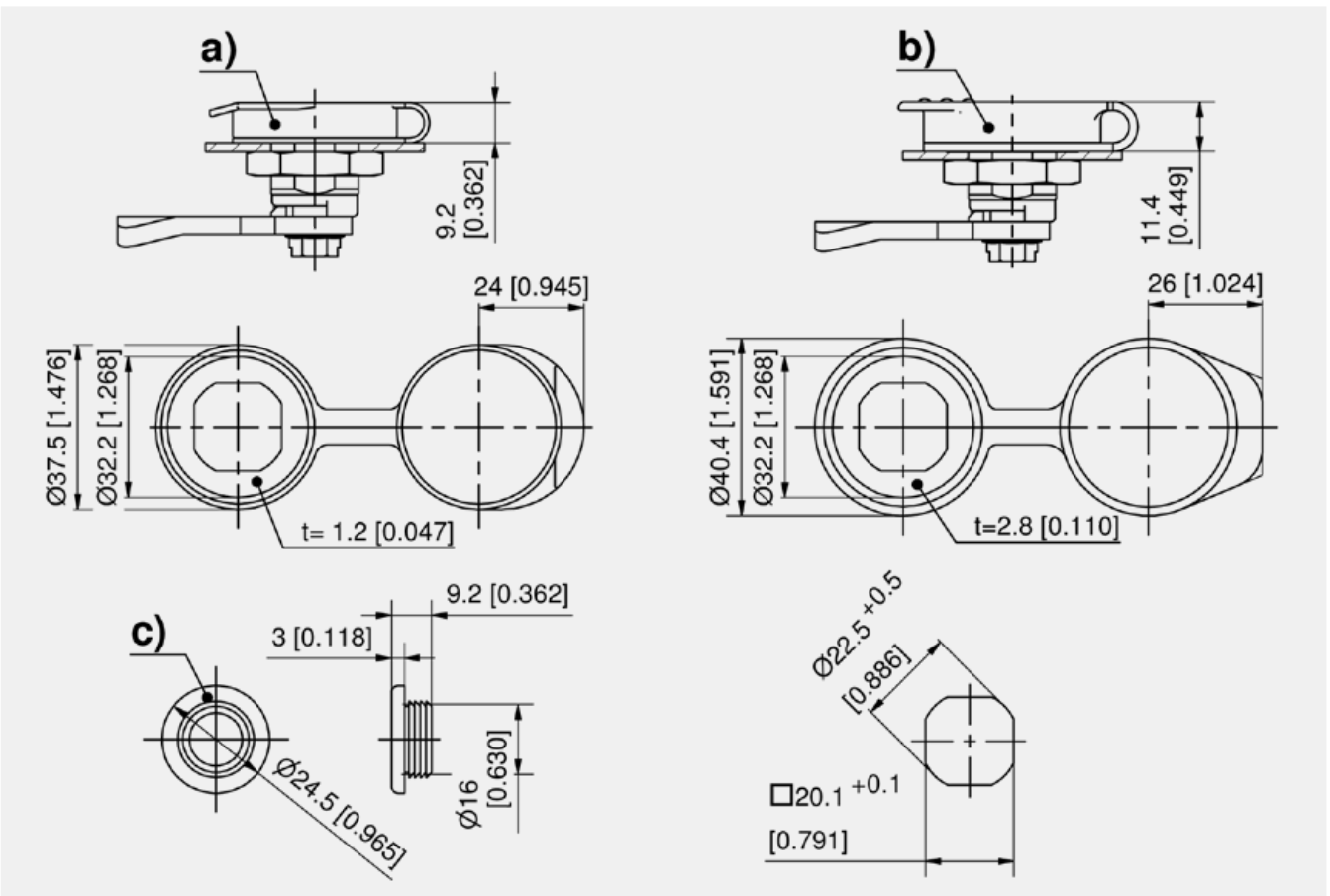
### Remarks

When using the dust cap a) the H-dimension changes by 1.2mm.

When using the dust cap b), the H dimension changes by 2.8mm. (The dust cap is equipped with sealing ribs (t=3.2mm) which are compressed to t=2.8mm with a tightening torque of 15Nm.)

The sealing plug c) is only for out-side triangular respectively square insert!

www.METALIKA-KACIN.com



### Accessories Quarter-Turn

	Part Number	Name	According to DIN EN 60529	Material	Temperature range
a)	200-4101.00-00000	Dust cap	IP65	PP	0° to +80°C
b)	200-4103.00-00000	Dust cap	IP65/67	TPU	-40° to +100°C
c)	292-0606.00-00000	Sealing plug	IP65	NBR+PVC	



**Advantages**

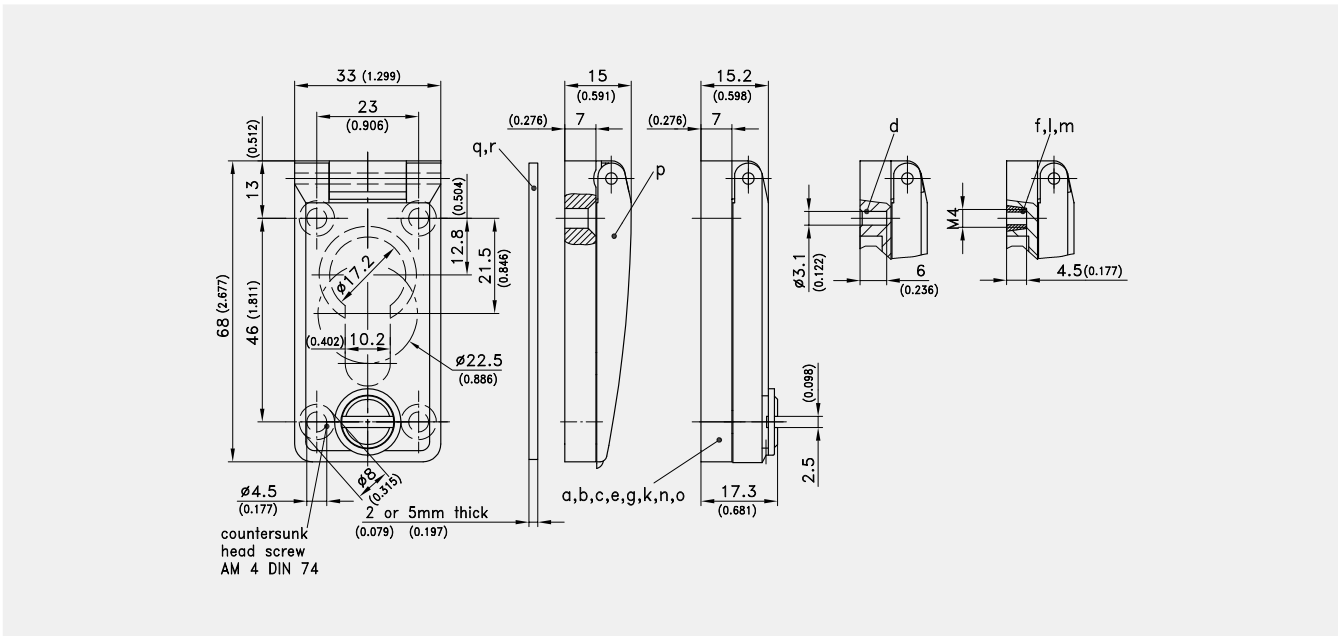
- Polyamide lock cover for PHZ or KABA-cylinders and Quarter-turns.
- 180° Opening angle.
- Cover is locked by Quarter-turn with bolt.
- Polyamide lock covers g), o) and p): **Opening angle of 170°, springloaded covers.**
- Spacer
- q), q1), q2): for PHZ and KABA-cylinders and Quarter-Turns
- r): only for PHZ.

**Materials**

- **Lower part, cover and small quarter-turn:** PA, grey or white RAL 7032, RAL 7035 or RAL 9003
- a) to d)
  - **Shaft:** stainless steel AISI 304
- k)
  - **Shaft:** steel, zinc plated
- g), o) and p)
  - **Spring:** stainless steel AISI 301
  - **Shaft:** stainless steel AISI 303
- e), f), l), m) and n)
  - **Quarter-turn part and bolt:** brass, nickel plated
  - **Shaft:** steel, zinc plated
- q), q1), q2) and r)
  - **Spacer:** PA, grey or white RAL 7032, RAL 7035 or RAL 9003



**RoHS WEEE**



Accessories Latches, PA

	Part Number	Name	Surface	Sealable	Screwing type
a)	237-9001.00-00000	Polyamide lock cover for profile-cylinder	pebbel grey RAL 7032		with countersunk holes
b)	237-9051.00-00000	Polyamide lock cover for profile-cylinder	light grey RAL 7035		with countersunk holes
c)	237-9031.00-00000	Polyamide lock cover for profile-cylinder	signal white RAL 9003		with countersunk holes
d)	237-8031.00-00000	Polyamide lock cover for profile-cylinder	signal white RAL 9003		with blind holes Ø3.1
e)	237-9101.00-00000	Polyamide lock cover for profile-cylinder	pebbel grey RAL 7032	Yes	with countersunk holes
f)	237-9103.00-00000	Polyamide lock cover for profile-cylinder	pebbel grey RAL 7032	Yes	with bushings M4
g)	237-8002.00-00000	Polyamide lock cover for profile-cylinder	pebbel grey RAL 7032		with countersunk holes
k)	237-9002.00-00000	Polyamide lock cover for profile-cylinder	pebbel grey RAL 7032		with countersunk holes
l)	237-8004.00-00000	Polyamide lock cover for round cylinder Ø22 or quarter-turn housing Ø28	light grey RAL 7035		with bushings M4
m)	237-9154.00-00000	Polyamide lock cover for round cylinder Ø22 or quarter-turn housing Ø28	light grey RAL 7035	Yes	with bushings M4
n)	237-9102.00-00000	Polyamide lock cover for round cylinder Ø22 or quarter-turn housing Ø28	pebbel grey RAL 7032	Yes	with countersunk holes
o)	237-9303.00-00000	Polyamide lock cover for round cylinder Ø22 or quarter-turn housing Ø28	pebbel grey RAL 7032		with countersunk holes
p)	237-9304.00-00000	Polyamide lock cover for profile-cylinder	pebbel grey RAL 7032		with countersunk holes
q)	237-0401.06-07032	Spacer 5mm thick	pebbel grey RAL 7032		
q1)	237-0401.06-07035	Spacer 5mm thick	light grey RAL 7035		
q2)	237-0401.06-09003	Spacer 5mm thick	signal white RAL 9003		
r)	237-0402.06-07032	Spacer 2mm thick	pebbel grey RAL 7032		