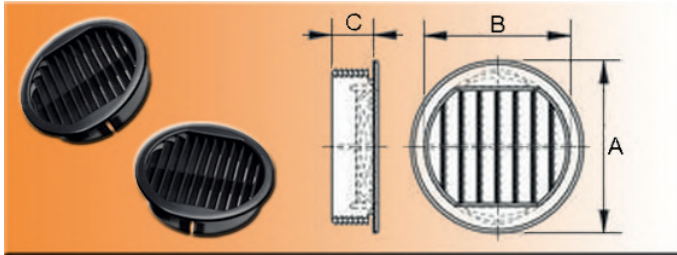


Plugs for round pipes | Vent plugs with louvres



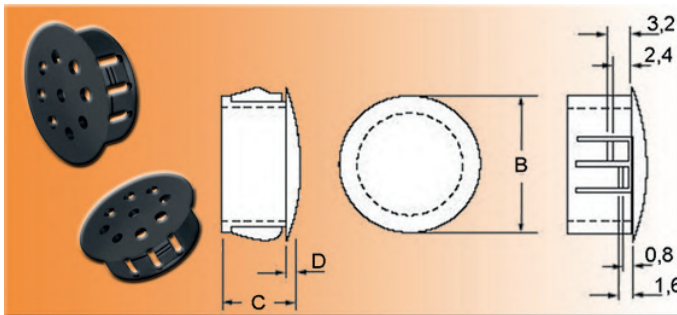
For ventilation of parts. The perfect vent plug for control cabinets, machine housings and cladding panels. Impermeable to splash-water and vermin. Additional cogging for set up in sheet material.

Material: PA 6
Colour: see X

Part no.	A	B	C	X
1231025002	30	25	10,0	grey
1231025500	30	25	10,0	white
1231025599	30	25	10,0	black
1231043002	50	43	12,0	grey
1231043500	50	43	12,0	white

Part no.	A	B	C	X
1231043599	50	43	12,0	black
1231070002	80	70	15,5	grey
1231070500	80	70	15,5	white
1231070599	80	70	15,5	black

Plugs for round pipes | Vent plugs with holes



These plugs offer a particular possibility of ventilation as well as prevention of hot spots. The convex head ends in a thin border and offers a proper cover. A tight fit is guaranteed in wall thicknesses up to 6.4 mm. Quick and easy mounting.

Material: PA 6.6
Colour: black

$\varnothing 1$ = mounting hole diameter
 $\varnothing 2$ = ventilation hole diameter
S = max. wall thickness
L = number of ventilation holes

Part no.	$\varnothing 1$	S	L	$\varnothing 2$	B	C	D
1230012	12,7	3,2	4	2,4	14,7	10,3	1,6
1230015	15,8	3,2	5	2,4	18,7	10,3	1,6
1230019	19,0	3,2	8	2,4	23,0	10,3	1,6
1230022	22,2	3,2	9	2,4	25,8	11,5	1,6
1230025699	25,4	3,2	9	3,2	30,6	11,5	1,6
1230028	27,8-28,6	3,2	9	3,2	30,9	11,5	1,6
1230031	31,8	3,2	10	3,2	34,9	11,5	1,6
1230034	34,9	3,2	11	3,2	38,1	11,5	1,6
1230038	38,1	3,2	13	3,2	42,4	11,5	1,6
1230044	44,5	3,2	13	3,2	48,8	11,5	1,6
1230050	50,8	3,2	19	3,2	54,4	11,9	2,0