

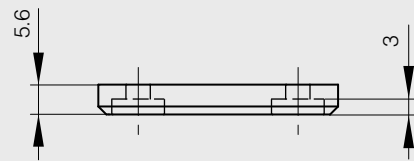
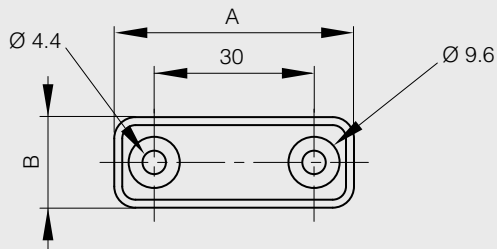
Sealed compact magnetic catch

new!



This reference is associated with counterplate 16-7-4205

| A | B | force | part number | material | finish | weight |
|----|----|-------|-------------|----------|--------|--------|
| 45 | 17 | 3kg | 16-7-4204 | plastic | white | 9g |

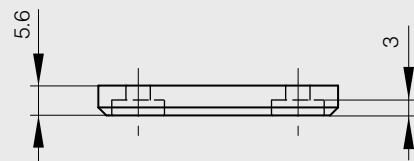
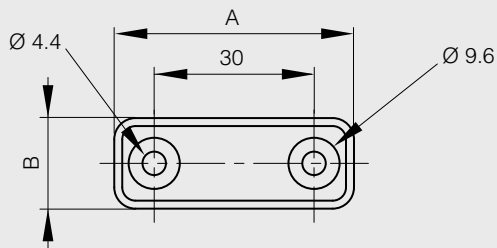


Counterplate for sealed magnetic catch 16-7-4204

new!

The non magnetic side of this counterplate is indicated with a blue dot. This counterplate has the same dimensions as the part listed above.

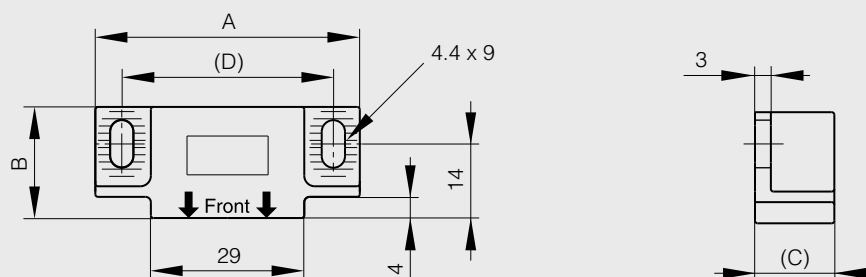
| A | B | part number | material | finish | weight |
|----|----|-------------|----------|--------|--------|
| 45 | 17 | 16-7-4205 | plastic | white | 9g |





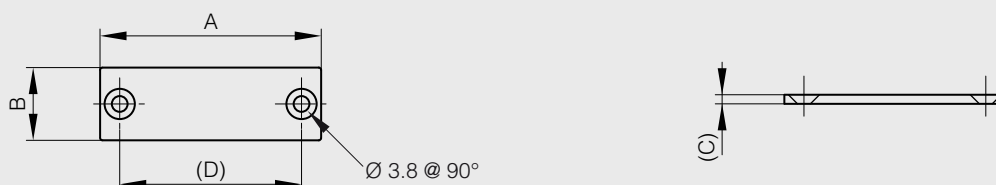
Sealed magnetic catch

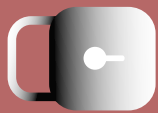
| A | B | C | D | force | part number | material | finish | weight |
|----|----|----|----|-------|-------------|----------|--------|--------|
| 50 | 21 | 13 | 40 | 3kg | 16-7-4081 | plastic | white | 21g |
| 50 | 21 | 13 | 40 | 3kg | 16-7-4206 | plastic | black | 21g |



Counterplate for sealed magnetic catch 16-7-4081 and 16-7-4206

| A | B | C | D | part number | material | finish | weight |
|----|----|---|----|-------------|---------------------|--------|--------|
| 49 | 15 | 2 | 40 | 16-7-4082 | 316 stainless steel | raw | 10g |

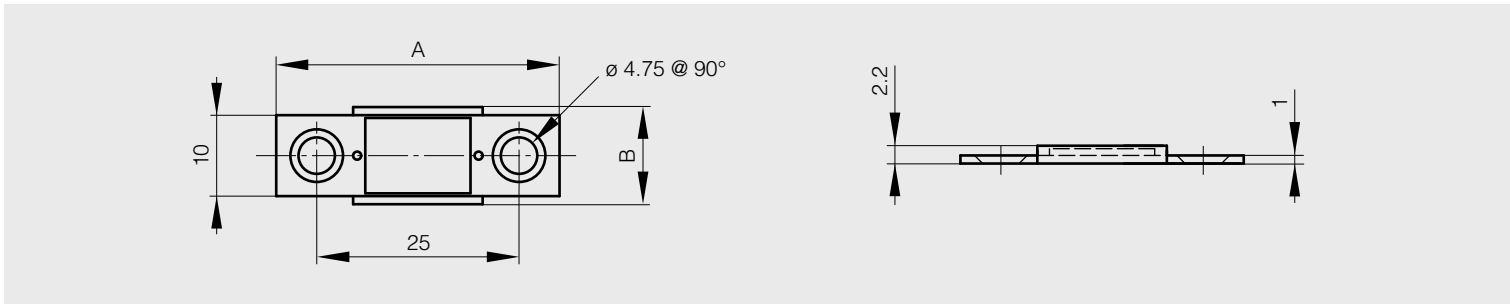




Ultra thin compact magnetic catch

Suitable for temperatures below 80°C
To avoid breakage, counterplate should not connect with magnet.
Screw heads should not protrude above the base plate.

| A | B | force | part number | material | finish | weight |
|----|----|-------|-------------|----------|---------------|--------|
| 35 | 12 | 2.7kg | 16-7-4033 | steel | nickel plated | 4g |

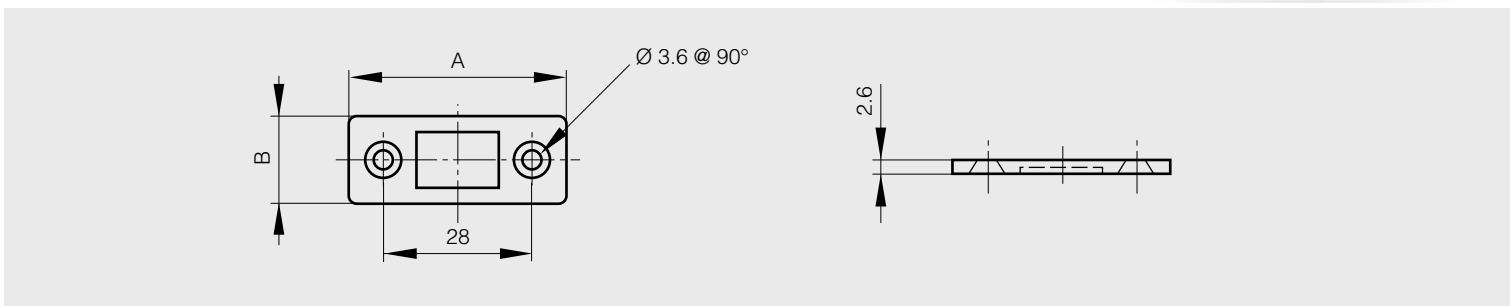


Compact magnetic catch

new!

Suitable for temperatures below 80°C
To avoid breakage, counterplate should not connect with magnet.
Screw heads should not protrude above the base plate.

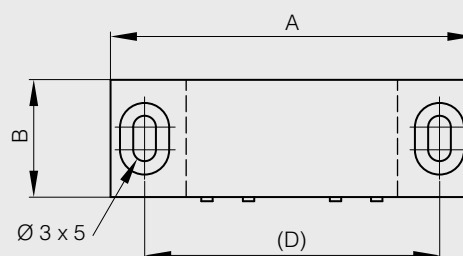
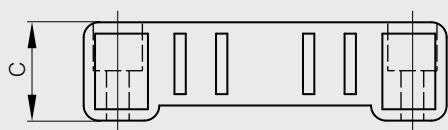
| A | B | force | part number | material | finish | weight |
|----|------|-------|-------------|----------|---------------|--------|
| 41 | 16.5 | 4kg | 16-7-4207 | steel | nickel plated | 12g |





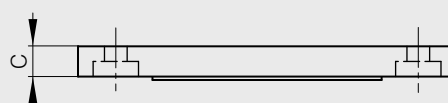
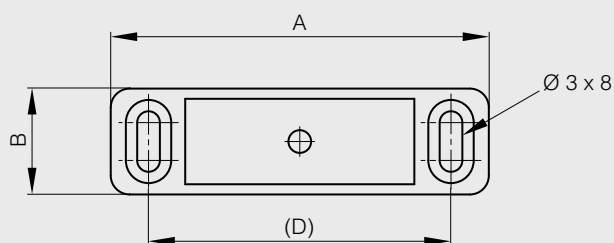
Screw-on magnetic catches without counterplate

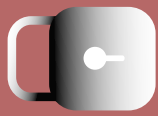
| A | B | C | D | force | part number | material | finish | weight |
|------|------|------|----|-------|------------------|----------|--------|--------|
| 48.5 | 16.5 | 13 | 39 | 4kg | 16-7-3372 | plastic | white | 18g |
| 53.5 | 16.5 | 13.5 | 39 | 4kg | 16-7-3388 | plastic | white | 24g |



Counterplates for magnetic catches 16-7-3372 and 16-7-3388

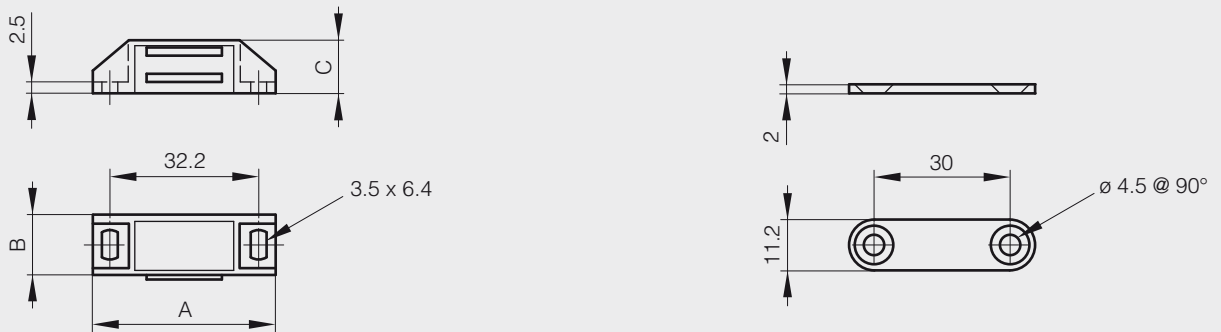
| A | B | C | D | note | part number | material | finish | weight |
|------|----|-----|----|---------------------------|------------------|----------|--------|--------|
| 50.5 | 14 | 4.5 | 40 | for part number 16-7-3372 | 16-7-3648 | plastic | white | 6g |
| 58 | 15 | 4.5 | 48 | for part number 16-7-3388 | 16-7-3649 | plastic | white | 7.5g |





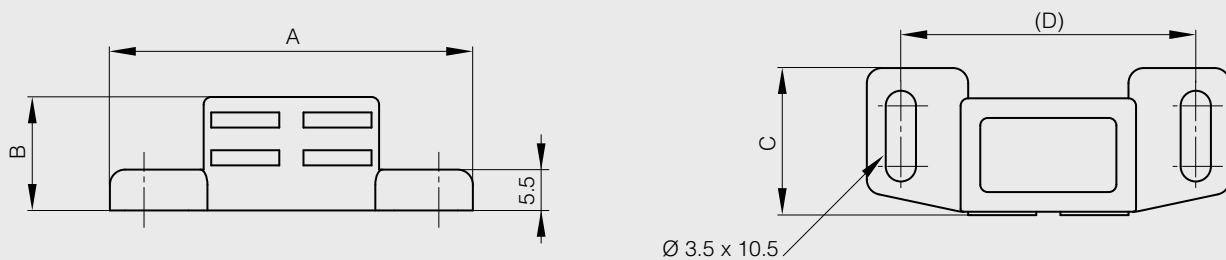
Screw-on sealed magnetic catch with counterplate

| A | B | C | force | part number | material | finish | weight |
|------|------|------|----------|-------------|----------|--------|--------|
| 39.8 | 13.7 | 11.7 | 2 to 3kg | 16-7-3492 | plastic | white | 16.5g |



Screw-on sealed magnetic catch without counterplate

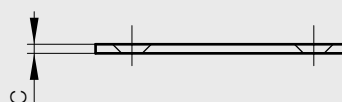
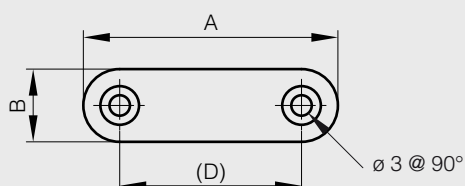
| A | B | C | D | force | part number | material | finish | weight |
|----|----|------|----|-------|-------------|----------|--------|--------|
| 48 | 15 | 19.2 | 38 | 4kg | 16-7-3390 | plastic | white | 13g |





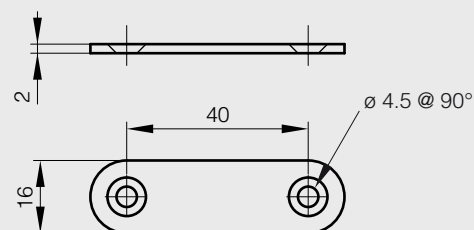
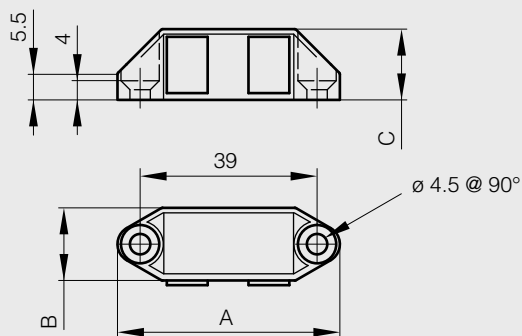
Counterplate for magnetic catch 16-7-3390

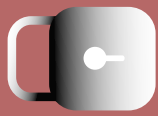
| A | B | C | D | S | part number | material | finish | weight |
|----|----|-----|----|---|-------------|----------|-------------|--------|
| 41 | 14 | 1.5 | 31 | 3 | 16-7-3351 | steel | zinc plated | 6g |



Screw-on magnetic catches with counterplate

| A | B | C | force | note | part number | material | finish | weight |
|------|------|------|-------|-------------------------|-------------|---------------|---------------|--------|
| 49.4 | 16.4 | 15.6 | 4kg | temperature up to 80°C | 16-7-3494 | zinc die-cast | nickel plated | 56g |
| 49.4 | 16.4 | 15.6 | 4kg | temperature up to 300°C | 16-7-3610 | zinc die-cast | nickel plated | 56g |





Screw-on sealed magnetic catches with counterplate

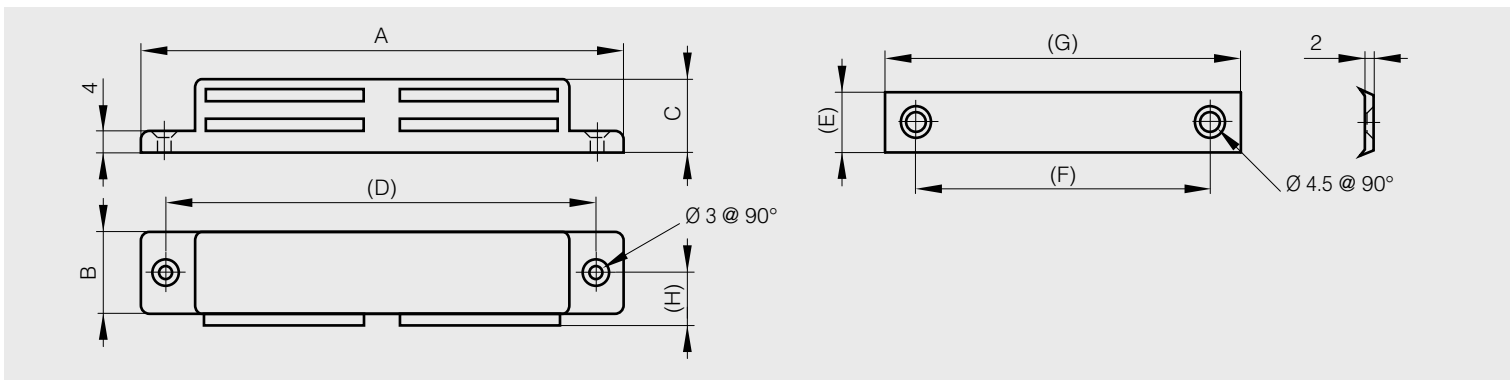


| A | B | C | force | part number | material | finish | weight |
|----|----|----|-------|------------------|---------------|---------------|--------|
| 54 | 16 | 15 | 4kg | 16-7-3483 | zinc die-cast | nickel plated | 49g |



430 stainless steel magnet

| A | B | C | D | E | F | G | H | force | part number | material | finish | weight |
|-------|----|----|----|----|----|----|------|-------|------------------|----------|--------|--------|
| 86 | 13 | 15 | 77 | 12 | 57 | 70 | 9.2 | 4.8kg | 16-7-3861 | plastic | white | 100g |
| 105.3 | 16 | 18 | 94 | 14 | 65 | 79 | 11.4 | 5.6kg | 16-7-3862 | plastic | white | 100g |

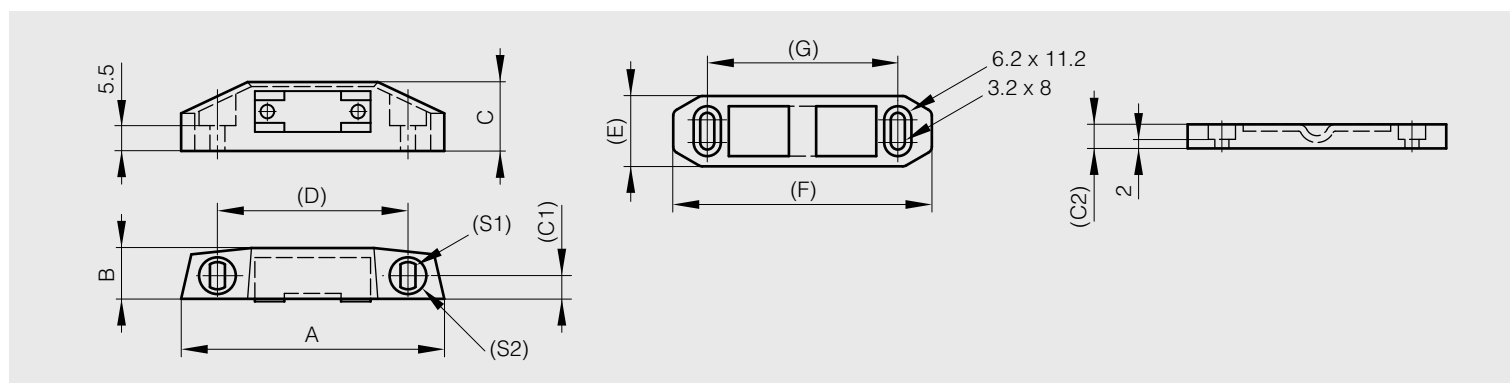




Screw-on magnetic catches with counterplate

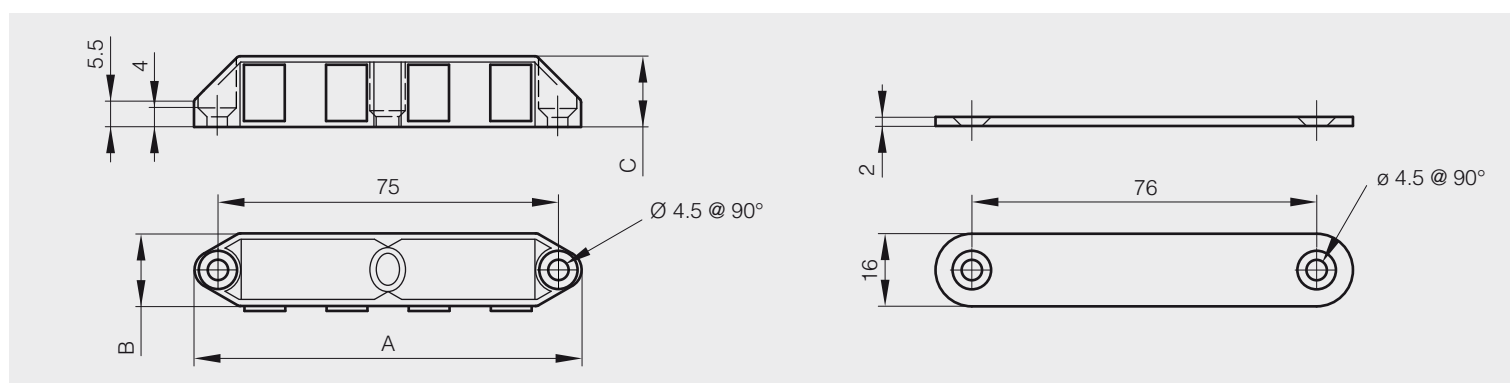
Forces valid with the related counterplate.

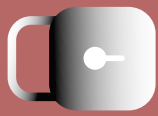
| A | B | C | C1 | C2 | D | E | F | G | S1 | S2 | force | part number | material | finish | weight |
|------|------|------|----|-----|----|------|----|------|-------|-----|-------|-------------|----------|--------|--------|
| 56 | 12 | 15.2 | 5 | 5 | 40 | 15.5 | 57 | 42 | 3.2x5 | 7 | 3kg | 16-7-3486 | plastic | white | 23.5g |
| 58 | 12 | 15.2 | 5 | 5 | 42 | 15.5 | 57 | 42 | 3.2x6 | 8.1 | 4kg | 16-7-3487 | plastic | white | 31g |
| 62.1 | 12.6 | 15.2 | 6 | 5.5 | 45 | 16.4 | 62 | 44.7 | 3.2x6 | 8.1 | 6kg | 16-7-3488 | plastic | white | 41g |



Screw-on magnetic catches with counterplate

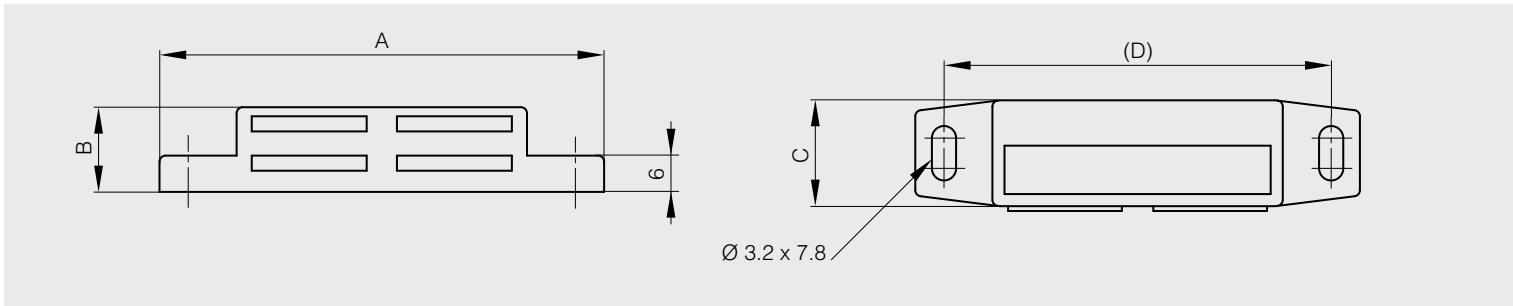
| A | B | C | force | note | part number | material | finish | weight |
|----|------|------|-------|-------------------------|-------------|---------------|---------------|--------|
| 86 | 16.4 | 15.6 | 8kg | temperature up to 80°C | 16-7-3391 | zinc die-cast | nickel plated | 112g |
| 86 | 16.4 | 15.6 | 8kg | temperature up to 300°C | 16-7-3611 | zinc die-cast | nickel plated | 112g |





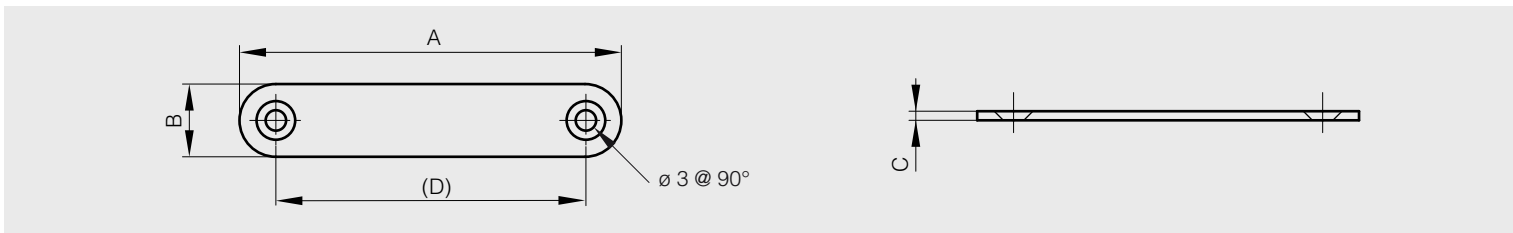
Screw-on sealed magnetic catch without counterplate

| A | B | C | D | force | part number | material | finish | weight |
|----|----|------|----|-------|-------------|----------|--------|--------|
| 74 | 14 | 17.5 | 64 | 12kg | 16-7-3672 | plastic | white | 37g |



Counterplate for magnetic catch 16-7-3672

| A | B | C | D | part number | material | finish | weight |
|----|----|---|----|-------------|----------|-------------|--------|
| 66 | 12 | 2 | 54 | 16-7-3673 | steel | zinc plated | 11g |





Snap-in magnets

new!



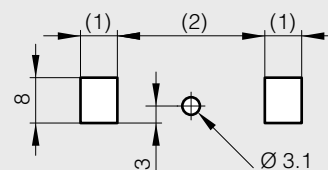
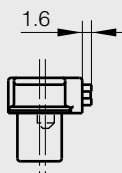
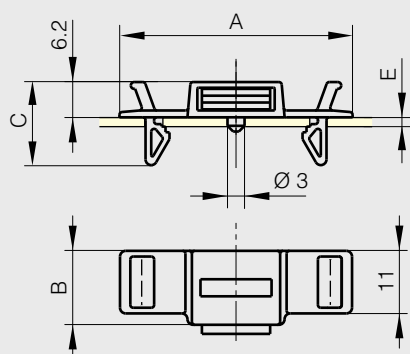
Snap-in magnets for sheet metal applications. Suitable for material thicknesses 1.6mm or 2.6mm.

E denotes material thickness.

Cut-out varies to suit metal thickness.

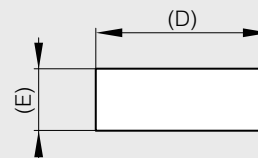
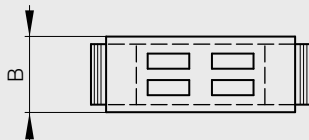
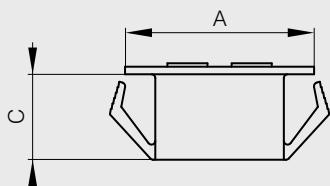
Flex-tab for easy removal.

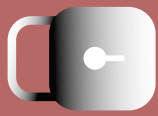
| A | B | C | force | part number | material | finish | weight |
|----|----|------|-------|------------------|----------|--------|--------|
| 41 | 13 | 14.6 | 1.2kg | 16-7-4208 | plastic | black | 5g |
| 41 | 13 | 14.6 | 3kg | 16-7-4209 | plastic | black | 5.5g |



| E | (1) | (2) |
|-----|-----|------|
| 1.6 | 6.5 | 26.0 |
| 2.6 | 5.8 | 24.6 |

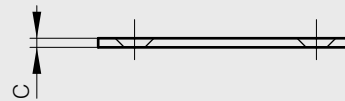
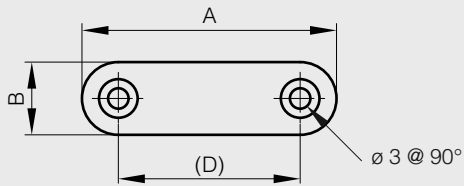
| A | B | C | D | E | force | note | part number | material | finish | weight |
|------|------|------|------|------|-------|--------------------------------|------------------|---------------|--------|--------|
| 25.5 | 12.3 | 10.4 | 23 | 11 | 1.5kg | for sheetmetal thickness 1.5mm | 16-7-4013 | polypropylene | white | 4g |
| 25.5 | 9.6 | 11 | 23 | 8.2 | 1.8kg | for sheetmetal thickness 1.5mm | 16-7-4014 | polypropylene | white | 4g |
| 39.5 | 10 | 11 | 35 | 8.2 | 4kg | for sheetmetal thickness 1.5mm | 16-7-4015 | polypropylene | white | 8g |
| 54 | 12.5 | 14.5 | 51.5 | 10.8 | 15kg | for sheetmetal thickness 2.0mm | 16-7-3674 | polypropylene | black | 32g |





Counterplates for snap-in magnets

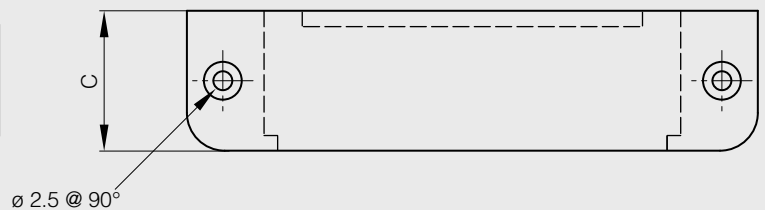
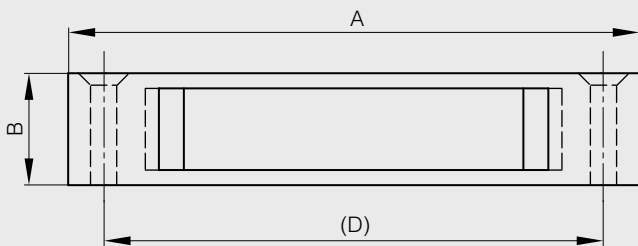
| A | B | C | D | note | part number | material | finish | weight |
|----|----|-----|----|--------------------------------------|------------------|----------|-------------|--------|
| 41 | 14 | 1.5 | 31 | for pt. nos. 16-7-4013 and 16-7-4014 | 16-7-3351 | steel | zinc plated | 6g |
| 66 | 12 | 2 | 54 | for pt. nos. 16-7-3674 and 16-7-4015 | 16-7-3673 | steel | zinc plated | 11g |



Housing

Housing for part number 16-7-3674

| A | B | C | D | part number | material | finish | weight |
|------|------|------|----|------------------|----------|--------|--------|
| 75.5 | 14.8 | 18.5 | 65 | 16-7-3675 | plastic | black | 8g |

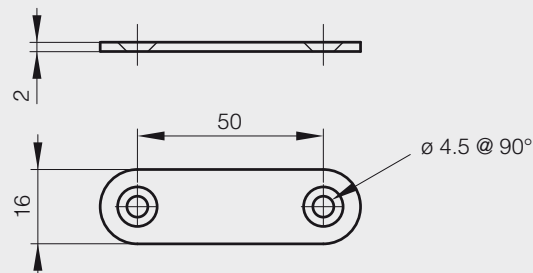
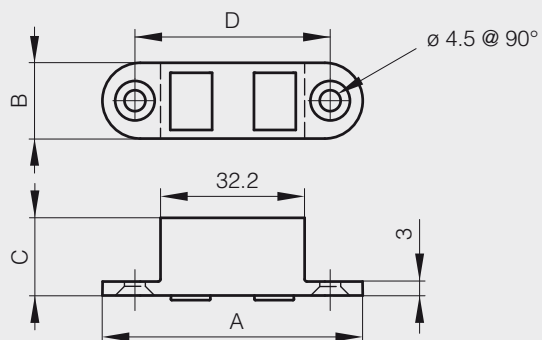


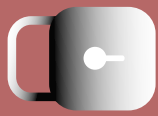


Flush magnet with high temperature resistance



| A | B | C | D | force | note | part number | material | finish | weight |
|----|------|------|----|-------|-------------------------|------------------|---------------|---------------|--------|
| 56 | 16.3 | 16.7 | 42 | 4kg | temperature up to 150°C | 16-7-3484 | zinc die-cast | nickel plated | 63.5g |





Flush compact catches without counterplate

| A | B | D | force | part number | material | finish | weight |
|----|----|------|-------|------------------|----------|-------------|--------|
| 24 | 15 | 13.5 | 5kg | 16-7-3387 | steel | zinc plated | 13g |



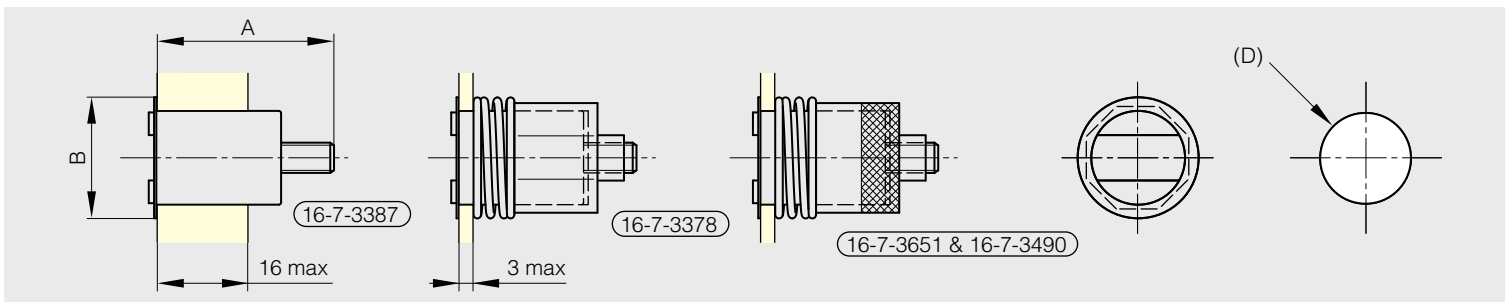
| A | B | D | force | part number | material | finish | weight |
|----|----|------|-------|------------------|----------|-------------|--------|
| 24 | 12 | 13.5 | 4.2kg | 16-7-3378 | steel | zinc plated | 14g |



Flush compact catch without counterplate offering high temperature resistance

Temperature resistance up to 250°C

| A | B | D | Force | part number | material | finish | weight |
|----|----|------|-------|------------------|----------|-------------|--------|
| 26 | 12 | 13.5 | 4.2kg | 16-7-3490 | steel | zinc plated | 17.5g |
| 29 | 16 | 17.5 | 8kg | 16-7-3651 | steel | zinc plated | 40g |

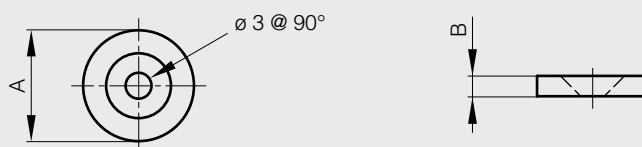




Counterplate for part numbers 16-7-3378, 16-7-3387, 16-7-3490 and 16-7-3651

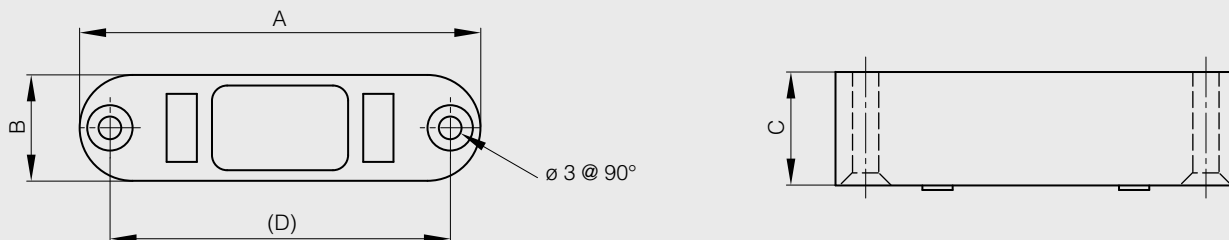


| A | B | part number | material | finish | weight |
|------|---|-------------|----------|-------------|--------|
| 15.1 | 3 | 16-7-3349 | steel | zinc plated | 4g |



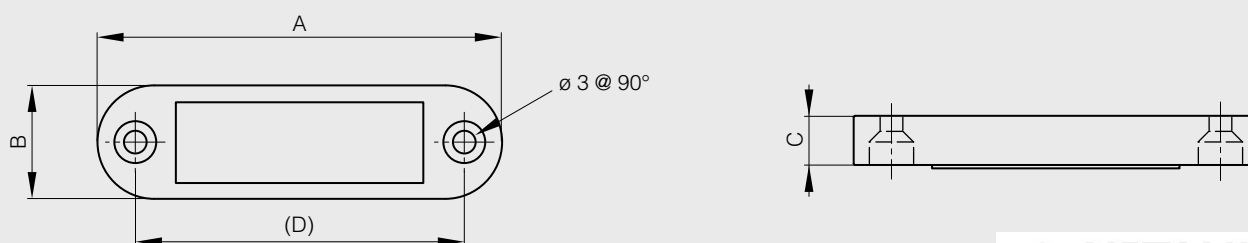
Flush magnetic catch without counterplate

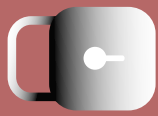
| A | B | C | D | force | part number | material | finish | weight |
|----|------|------|----|-------|-------------|----------|--------|--------|
| 53 | 14.2 | 15.5 | 44 | 7kg | 16-7-3373 | plastic | white | 26g |



Counterplate for part number 16-7-3373

| A | B | C | D | part number | material | finish | weight |
|------|----|-----|------|-------------|----------|--------|--------|
| 53.5 | 15 | 6.5 | 43.5 | 16-7-3352 | plastic | white | 13g |





Self-adhesive magnetic profile

Available in 30 meter rolls.
Heat resistance : 100°C

| B | C | force | part number | material | finish | weight |
|----|-----|------------------------|------------------|-----------------|---------------|--------|
| 19 | 1.5 | 55 grs/cm ² | 16-7-3682 | flexible magnet | self adhesive | 3300g |

