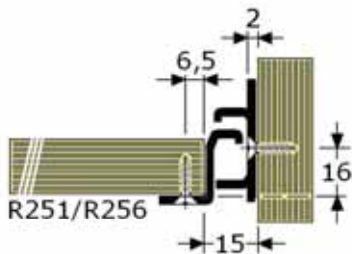
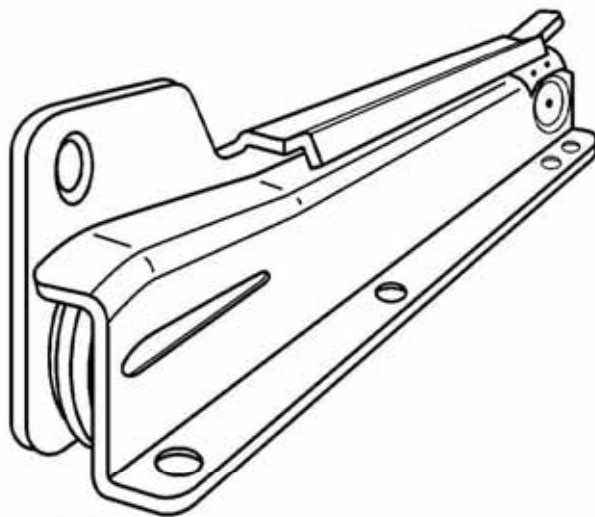


TELESCOPIC SLIDES, stainless steel



easy mounting: all 15mm
 single for 50 Kg (9125..)
 single for 100 kg (9150..)
 full extension for 50 Kg (9261..)

single extension drawer slide (2-parts)
 stainless steel 304/A2 (new: @ will be changed to 1.4509/A2)
 single extension 75%
 space required 15mm, for bottom mounting

 with (p/Pr) 4 white DELRIN rollers ø22mm (type R251) or
 with white DELRIN encased ball bearing rollers ø22mm (R256);
 the slide can be used for -45°C. till +80°C.

 slides captive on the right side,
 with compensation of tolerance on the left side

 cabinet profile and drawer profile with screwholes (for 4mm)
 for example: cabinet profile 500mm has 6 screwholes;

 for easily disconnecting every day
 by lifting-up the front of the opened drawer

 non-return groove in the front of the cabinet profile
 for keeping the drawer in closed position

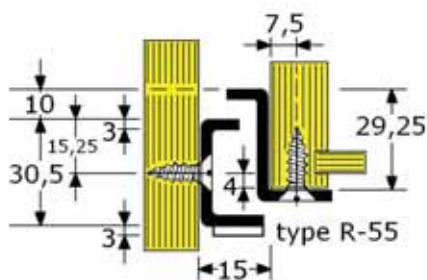
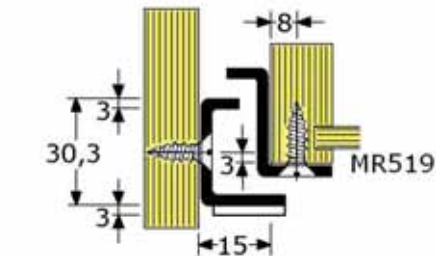
type	length	extension	width	load capacity	per
912513	R251@ 400mm	294mm	15mm	50 Kg/Pr 1.4509	10 Pr
912514	R251 450mm	344mm	15mm	50 Kg/Pr	10 Pr
912515	R251 500mm	394mm	15mm	50 Kg/Pr	10 Pr
912516	R251 550mm	424mm	15mm	50 Kg/Pr	10 Pr
912517	R251@ 600mm	474mm	15mm	50 Kg/Pr 1.4509	10 Pr
912518	R251@ 650mm	524mm	15mm	45 Kg/Pr 1.4509	10 Pr
912519	R251@ 700mm	574mm	15mm	45 Kg/Pr 1.4509	10 Pr
912521	R251@ 750mm	624mm	15mm	45 Kg/Pr 1.4509	10 Pr
912553	R256@ 400mm	294mm	15mm	40 Kg/Pr 4xRVS	50 Pr
912554	R256@ 450mm	344mm	15mm	40 Kg/Pr 4xRVS	50 Pr
912555	R256@ 500mm	394mm	15mm	40 Kg/Pr 4xRVS	50 Pr
912556	R256@ 550mm	424mm	15mm	40 Kg/Pr 4xRVS	50 Pr
912557	R256@ 600mm	474mm	15mm	40 Kg/Pr 4xRVS	50 Pr

single extension drawer slide (2-parts)
 stainless steel 304/A2 (new: @ will be changed to 1.4509/A2)
 single extension 75%, heavy duty
 space required 15mm, for bottom mounting

 with stainless steel ball bearing rollers (2x ø24mm, 2x ø28mm)
 with stainless steel endstop;

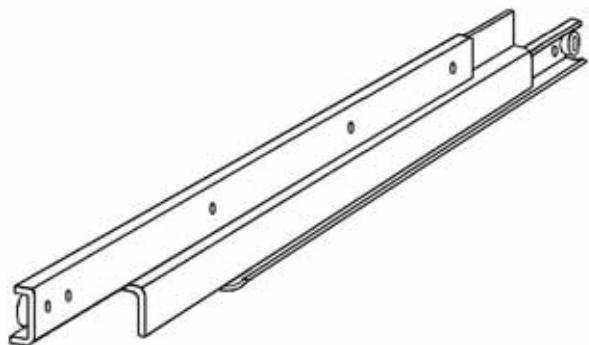
cabinet profile and drawer profile with screwholes 4,5mm;
 for easily disconnecting every day
 by lifting-up the front of the opened drawer;

the slide can be used for -25°C. till +80°C.



type	length	extension	width	load capacity	per
915053	R-55@ 400mm	294mm	15mm	100 Kg/Pr 1.4509	5 Pr
915055	R-55@ 500mm	394mm	15mm	100 Kg/Pr 1.4509	5 Pr
915056	R-55@ 550mm	444mm	15mm	100 Kg/Pr 1.4509	5 Pr
915057	R-55@ 600mm	494mm	15mm	100 Kg/Pr 1.4509	5 Pr
915058	R-55@ 650mm	544mm	15mm	90 Kg/Pr 1.4509	5 Pr
915199	MR-519 700mm	585mm	15mm	90 Kg/Pr	5 Pr
915061	R-55@ 750mm	634mm	15mm	90 Kg/Pr 1.4509	5 Pr

TELESCOPIC SLIDES, stainless steel



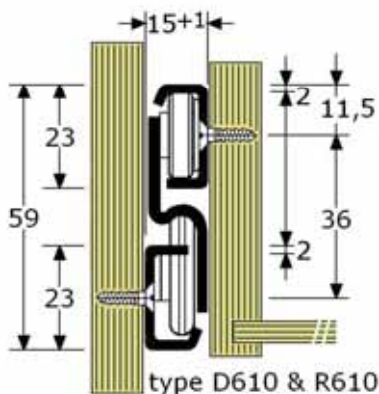
full extension drawer slide (3-parts)
 stainless steel 304/A2 (new: @ will be changed to 1.4509/A2)
 full extension +45mm, progressive action
 space required 15mm, highness 59mm, side mounting

 with (p/Pr) 8 white DELRIN rollers ø18,8mm (2 are rounded)
 maximum loading 50 Kg/pair (only for normal vertical use)
 the slide can be used for -25°C. till +80°C.

 drawer profile without hook for side mounting
 with screw holes (for 4mm), but can also be easy welded

 double-sided (left &right) captive profiles, with soft stop
 protection between unintended disconnecting by fixed
 black nylon locking device, but drawer can easy be demounted
 if you pull out the drawer full, the drawer will be blocked in
 the locking devices: then lift up the front of the drawer ±20mm
 and the drawer can be taken out completely

 cabinet profile with screwholes (for 4mm)
 for fixing by screws (4mm) or for welding



type D610 & R610

easy mounting: all 15mm
 single for 50 Kg (9125..)
 single for 100 kg (9150..)
 full extension for 50 Kg (9261..)

- 926103
- 926104
- 926105
- 926106
- 926107
- 926108
- 926109

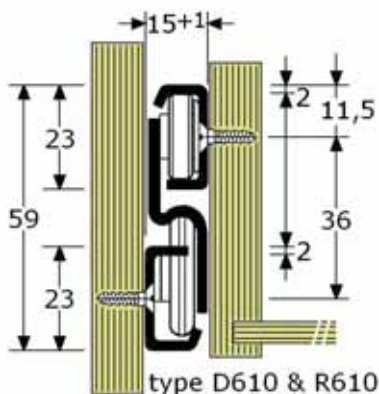
type	length	extension	width	load capacity	per
D610	400mm	445mm	15mm	50 Kg/Pr	6 Pr
D610	450mm	495mm	15mm	50 Kg/Pr	6 Pr
D610@	500mm	545mm	15mm	50 Kg/Pr 1.4509	6 Pr
D610@	550mm	595mm	15mm	50 Kg/Pr 1.4509	6 Pr
D610@	600mm	645mm	15mm	50 Kg/Pr 1.4509	6 Pr
D610@	650mm	695mm	15mm	50 Kg/Pr 1.4509	6 Pr
D610@	700mm	745mm	15mm	50 Kg/Pr 1.4509	6 Pr



full extension drawer slide (3-parts)
 stainless steel 304/A2 (new: @ will be changed to 1.4509/A2)
 full extension +45mm (for 30cm: +20cm), progressive action
 space required 15mm, highness 59mm, side mounting

 with (p/Pr) 8 stainless steel rollers with ball bearing (2 rounded)
 maximum loading 50 Kg/pair (only for normal vertical use)

 double-sided (left &right) captive profiles, with soft stop
 protection between unintended disconnecting by fixed
 black nylon locking device, but drawer can easy be demounted

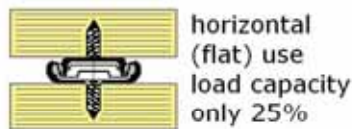
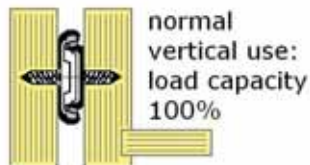
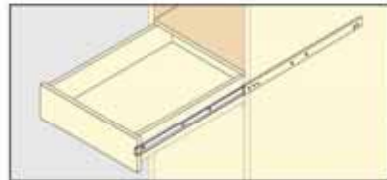
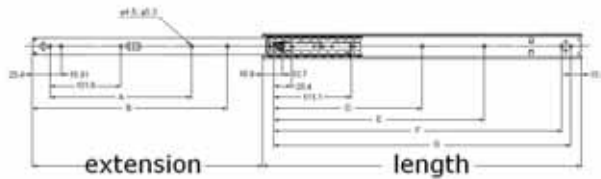
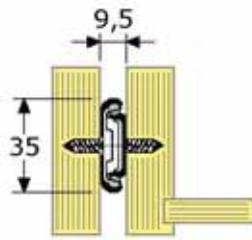
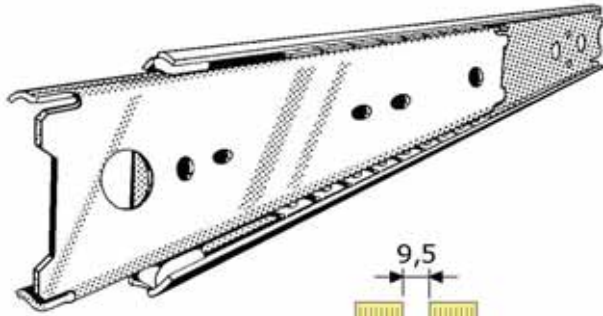


type D610 & R610

- 926121
- 926122
- 926123
- 926125
- 926126
- 926127
- 926129
- 926131

type	length	extension	width	load capacity	per
R610@	300mm	320mm	15mm	50 Kg/Pr 1.4509	6 Pr
R610	350mm	395mm	15mm	50 Kg/Pr	6 Pr
R610	400mm	445mm	15mm	50 Kg/Pr	6 Pr
R610@	500mm	545mm	15mm	50 Kg/Pr 1.4509	6 Pr
R610@	550mm	595mm	15mm	50 Kg/Pr 1.4509	6 Pr
R610@	600mm	645mm	15mm	50 Kg/Pr 1.4509	6 Pr
R610@	700mm	745mm	15mm	50 Kg/Pr 1.4509	6 Pr
R610@	750mm	795mm	15mm	45 Kg/Pr 1.4509	6 Pr

TELESCOPIC SLIDES, stainless steel



precision ball bearing slide
 stainless steel 304/A2
 single extension slide, extension lenghts 75%
 space required only 9,5mm, highness 35mm, side mounting

maximum loading 25-50 Kg/pair normal vertical use
 (for flat horizontal use, the loading capacity is only 25%)

the wall profile has a white nylon glide block inside
 for a better and stabile sliding;
 with stainless steel endstop at the end of the profile

the inner rail can be easily front disconnected
 by extra force after fully extended

the slide can be used for -33°C. till +70°C.

with screwholes (4mm/M4)

sales by pair (but left&right are the same)

- 904241
- 904242
- 904243
- 904244
- 904245
- 904246
- 904247
- 904249

type	length	extension	width	load capacity	per
SSR-1	305mm	229mm	9,5mm	49 Kg/Pr	10 Pr
SSR-1	356mm	279mm	9,5mm	47 Kg/Pr	10 Pr
SSR-1	407mm	304mm	9,5mm	43 Kg/Pr	10 Pr
SSR-1	458mm	330mm	9,5mm	41 Kg/Pr	10 Pr
SSR-1	508mm	381mm	9,5mm	37 Kg/Pr	10 Pr
SSR-1	559mm	406mm	9,5mm	34 Kg/Pr	10 Pr
SSR-1	610mm	432mm	9,5mm	30 Kg/Pr	10 Pr
SSR-1	711mm	508mm	9,5mm	25 Kg/Pr	10 Pr

precision ball bearing slide
 stainless steel 304/A2
 full (over) extension slide, extension lenghts 100%
 space required 19,1mm, highness 54mm, side mounting

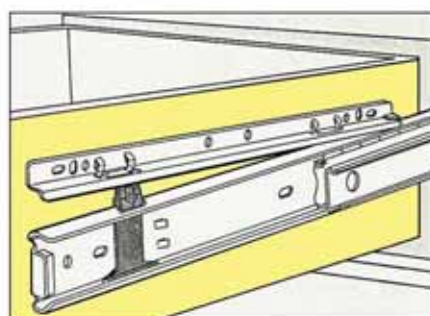
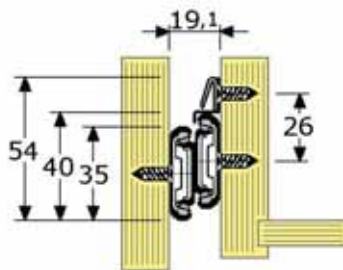
maximum loading 43 Kg/pair (not for vertical use)

mounting rail has to be fixed to the drawer; afther that it
 has to be attече to the slide and further fixing by screws

the slide can be used for -33°C. till +70°C.

sales by pair (left&right different)

discontinued



- 906269

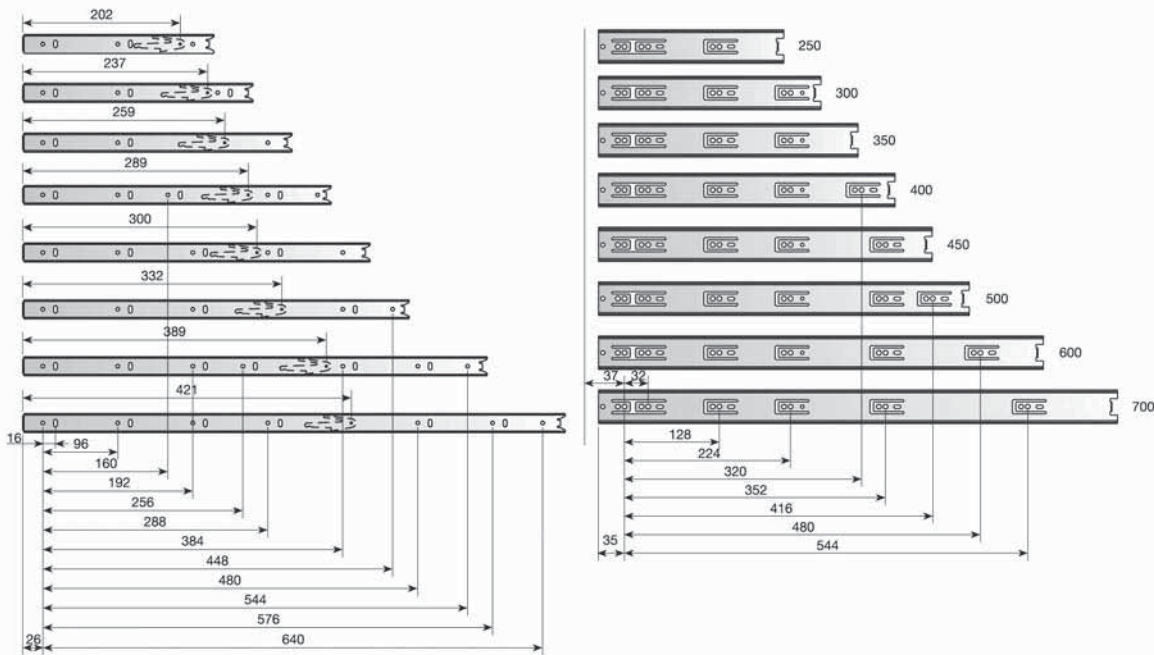
type	length	extension	width	load capacity	per
SSR-3	711mm	739mm	19,1mm	43 Kg/Pr	5 Pr

TELESKOPSKO KROGLIČNO VODILO

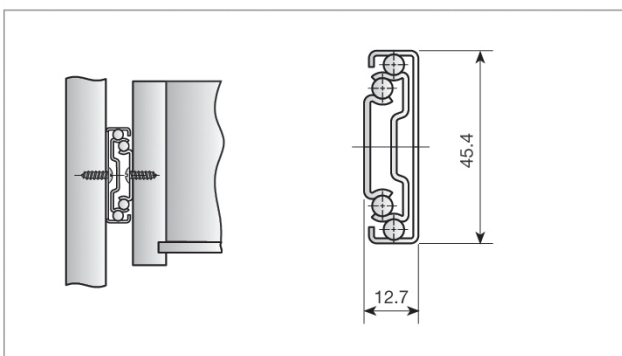
Art. TR.778

Dolžina modula [mm]	Art.	
250	778.925.755	10
300	778.930.751	
350	778.935.754	
400	778.940.750	
450	778.945.753	
500	778.950.756	5
550	778.955.755	
600	778.960.755	
700	778.970.754	

- 100 % izvlek
- Nosilnost do 45 kg
- Izvlek predala iz vodila s sklopko
- Horizontalna montaža je nosilnosti do 15 kg



MERE VODILA



A	250	300	350	400	450	500	600	700
B	275	325	375	425	475	525	625	725