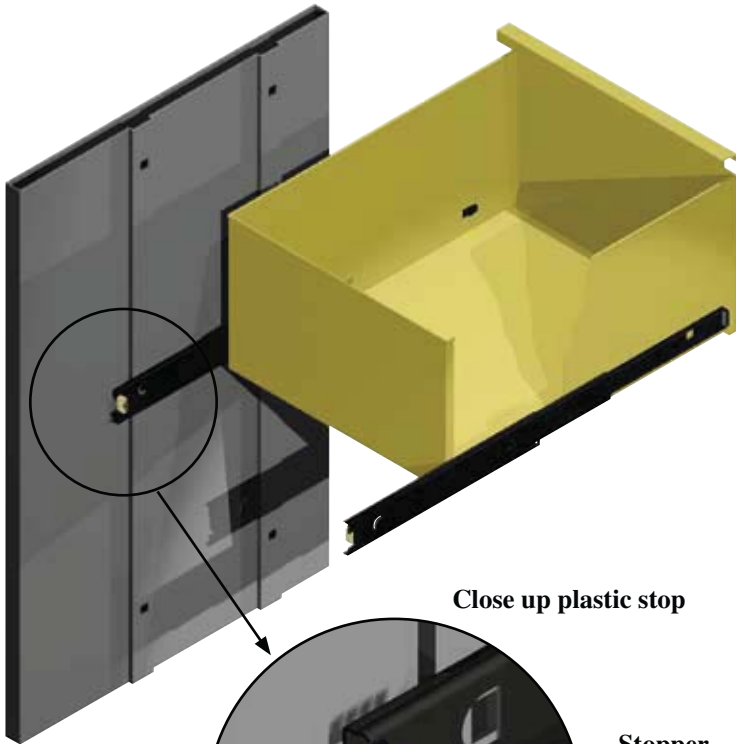


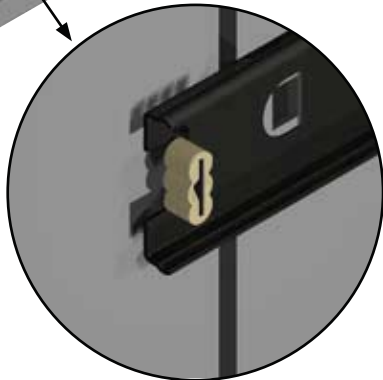


DRAWER SLIDE
f/metal cabinets

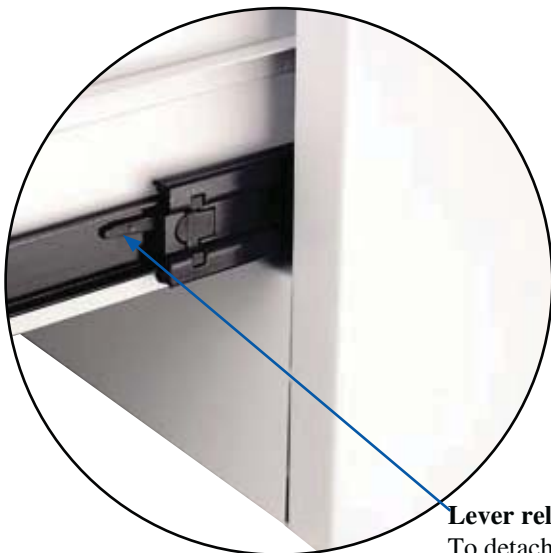
Features:	Bayonet hooks Side mounted Full extension Steel ball bearings Locking action, when closed Release lever
Material:	Cold rolled steel – 1,2 mm
Finish:	Black zinc plated or bright zinc plated
Size:	From 300 to 700 mm
Load capacity:	45 kg
Fixation:	By use of pre-stamped bayonet hooks



Close up plastic stop

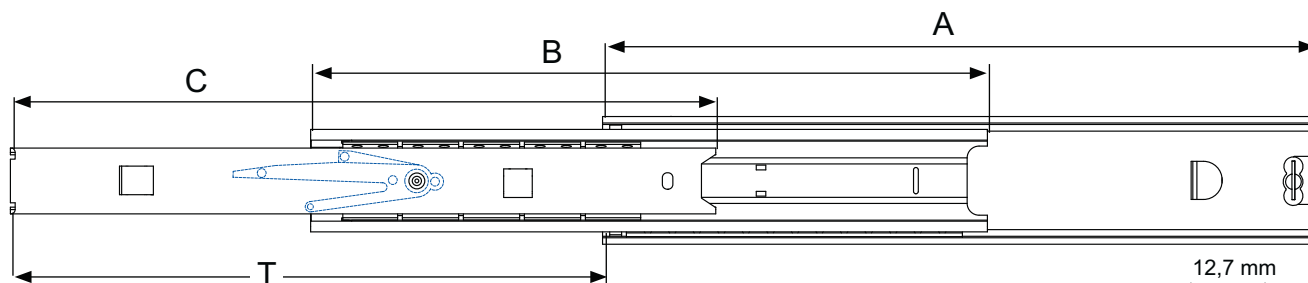


Stopper
Plastic stopper for locking
action, when closed



Lever release
To detach drawer rail from
centre rail





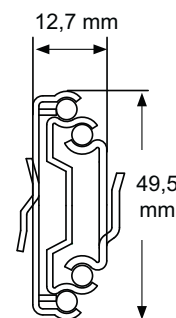
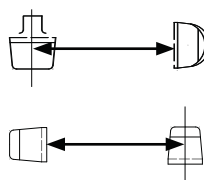
A: Length of cabinet rail

B: Length of centre rail

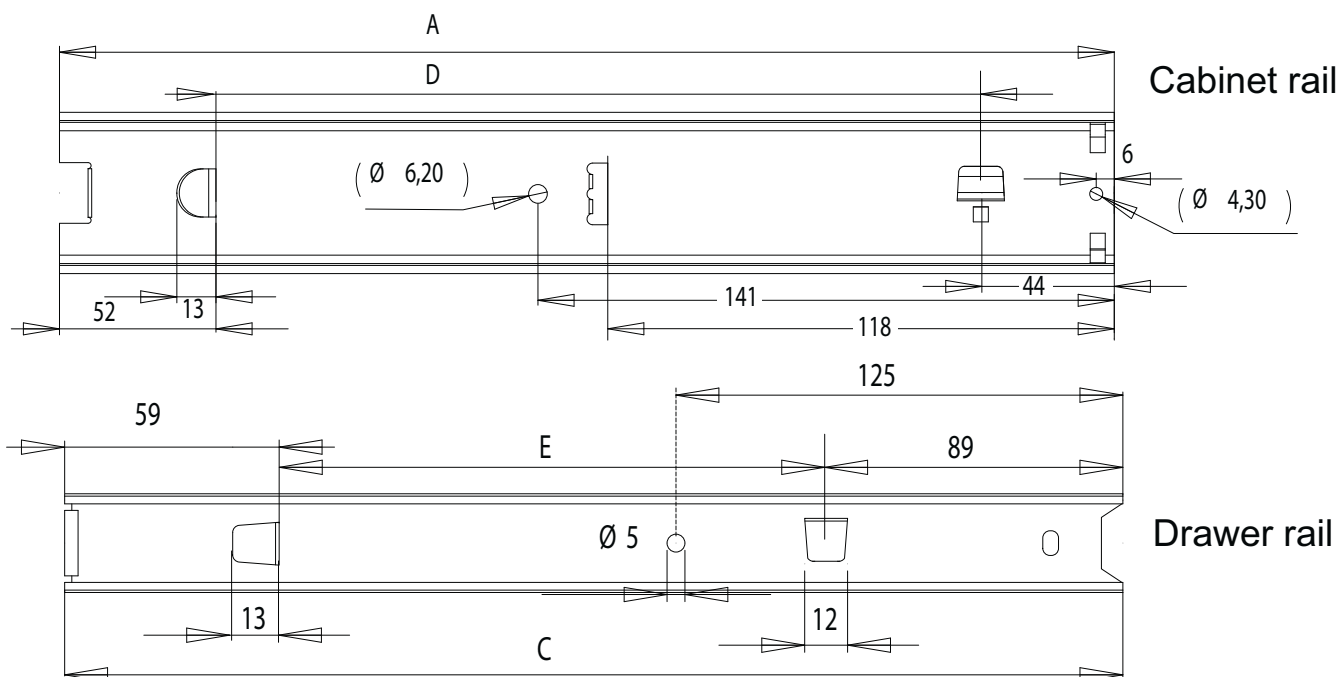
C: Length of drawer rail

D: Distance between hooks for cabinet mounting

E: Distance between hooks for for drawer mounting



Slide length A	B	C	Travel length T	D	E	Finish
300 mm	284 mm	296 mm	310 mm	206 mm	204 mm	BZP
350 mm	334 mm	346 mm	360 mm	256 mm	254 mm	BZP
400 mm	384 mm	398 mm	410 mm	256 mm	254 mm	BZP
450 mm	435 mm	448 mm	462 mm	306 mm	304 mm	BZP
500 mm	484 mm	497 mm	512 mm	356 mm	354 mm	BZP
550 mm	532 mm	548 mm	559 mm	406 mm	404 mm	BZP
600 mm	584 mm	597 mm	615 mm	456 mm	454 mm	BZP
650 mm	634 mm	647 mm	662 mm	506 mm	504 mm	BZP
700 mm	684 mm	696 mm	715 mm	556 mm	554 mm	BZP





DRAWER SLIDE

Features: Bayonet hooks
Side mounted
Full extension
Steel ball bearings
Locking action, when closed
Release lever

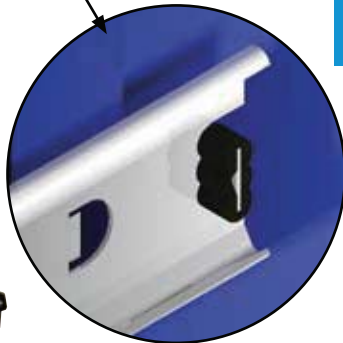
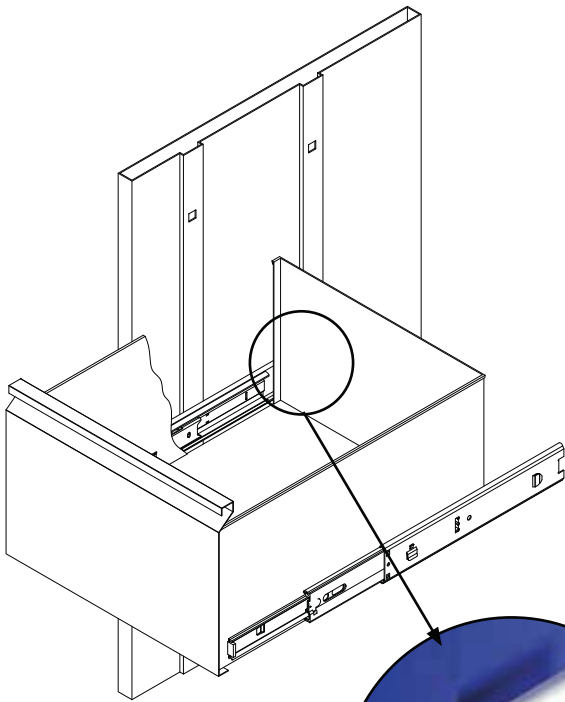
Material: Cold rolled steel – 1,5 mm

Finish: Bright zinc plated (BZP)

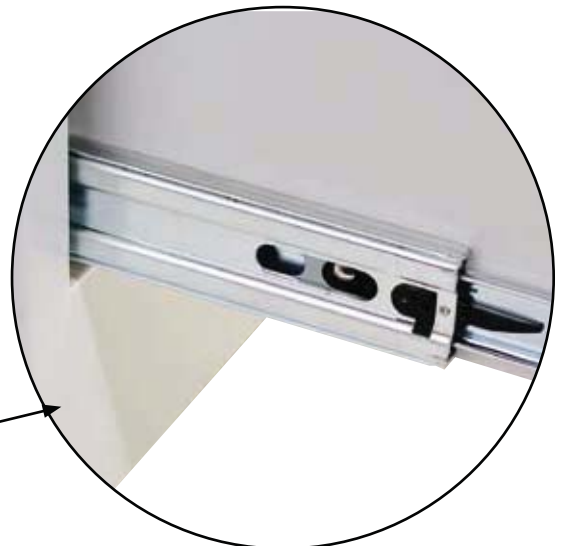
Size: From 300 to 700 mm

Load capacity: 80 kg

Fixation: By use of pre-stamped bayonet hooks



Stopper
Plastic stopper for locking action, when closed



Release lever
To detach drawer rail from centre rail